



US00D963399S

(12) **United States Design Patent**
Gisholt

(10) **Patent No.:** **US D963,399 S**

(45) **Date of Patent:** **** Sep. 13, 2022**

(54) **SUPPLEMENT VESSEL**

(71) Applicant: **BlueShift Nutrition Inc.**, Duxbury, MA (US)

(72) Inventor: **Paal Gisholt**, Hingham, MA (US)

(73) Assignee: **BlueShift Nutrition, Inc.**, Duxbury, MA (US)

(**) Term: **15 Years**

(21) Appl. No.: **29/718,462**

(22) Filed: **Dec. 24, 2019**

(51) **LOC (13) Cl.** **31-00**

(52) **U.S. Cl.**

USPC **D7/376**; D7/511; D24/220

(58) **Field of Classification Search**

USPC D7/300.1, 376, 392.1, 396.2, 507, D7/509–511, 533, 538, 542, 545, 548, D7/586, 587, 591, 600; D9/435, 436, D9/454, 537, 543, 549, 557, 558, 570, D9/575; D24/113, 121, 220, 224

CPC A47G 19/22; A47G 19/2205; A47G 19/2272; A47J 41/0016; A47J 43/042; A47J 43/27; B01F 2101/1805; B01F 33/50111; B01F 35/32025

See application file for complete search history.

(56) **References Cited**

U.S. PATENT DOCUMENTS

D586,184 S * 2/2009 Miller D7/511
D723,332 S * 3/2015 Steel D7/510
D745,827 S * 12/2015 Sorensen D9/450
9,272,822 B2 * 3/2016 Samartgis B65D 47/088
D758,127 S * 6/2016 Zhao D7/392.1
D758,792 S * 6/2016 Karussi D7/392.1
D763,688 S * 8/2016 Breit D9/443

D779,273 S * 2/2017 Lee B65D 47/088
D7/510
D802,366 S * 11/2017 Cerasani D7/532
D830,127 S * 10/2018 Rohe D7/510

(Continued)

FOREIGN PATENT DOCUMENTS

KR 300847955.0000 * 4/2016 A47G 19/16
KR 300904370.0000 * 4/2017 A47G 19/16
KR 300941833.0000 * 1/2018

OTHER PUBLICATIONS

Anycafé, Inc., “The AnyCafé Travel Brewer—The Travel Mug That Brews Coffee,” Feb. 14, 2019, Kickstarter, www.kickstarter.com/projects/anycafe/the-anycafe-travel-brewer-the-travel-mug-that-brews-coffee/description (Year: 2019).*

(Continued)

Primary Examiner — Joseph Kukella

Assistant Examiner — Arva P Adams

(74) *Attorney, Agent, or Firm* — Fox Rothschild LLP

(57)

CLAIM

The ornamental design for a supplement vessel, as shown and described.

DESCRIPTION

FIG. 1 is a top view of a supplement vessel according to the present invention;

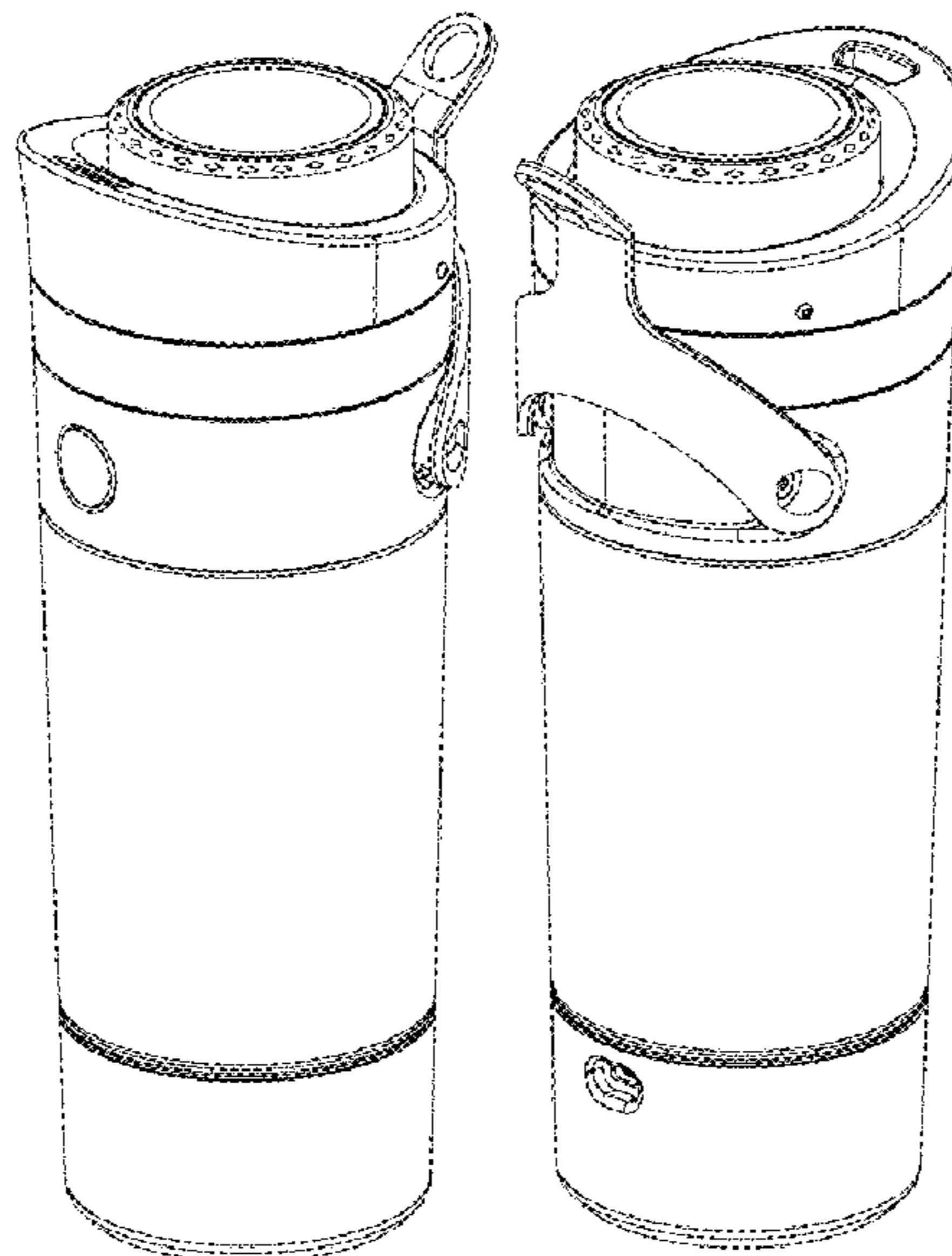
FIG. 2 is a bottom view of the supplement vessel of FIG. 1; FIG. 3 is a right side view of the supplement vessel of FIG. 1;

FIG. 4 is a front view of the supplement vessel of FIG. 1; FIG. 5 is a left side view of the supplement vessel of FIG. 1;

FIG. 6 is a rear view of the supplement vessel of FIG. 1; FIG. 7 is a front perspective view of the supplement vessel of FIG. 1; and,

FIG. 8 is a rear perspective view of the supplement vessel of FIG. 1.

1 Claim, 4 Drawing Sheets



(56)

References Cited

U.S. PATENT DOCUMENTS

D833,224 S * 11/2018 Wahlkvist B65D 81/3879
D7/532
D838,138 S * 1/2019 Yao D7/532
10,421,595 B2 * 9/2019 Wondka B65D 81/3879

OTHER PUBLICATIONS

AQ Nutrition, "Build Your AQdisc," Accessed May 1, 2022, AQ Nutrition, <https://aq-nutrition.myshopify.com/collections/frontpage/products/build-your-aqdisc> (Year: 2022).*

Blueshift Nutrition, "Welcome to a better way to take better supplements," Mar. 9, 2022, Facebook, www.facebook.com/BlueshiftNutrition/photos/a.510406327082806/517482946375144/ (Year: 2022).*

* cited by examiner

FIG. 1

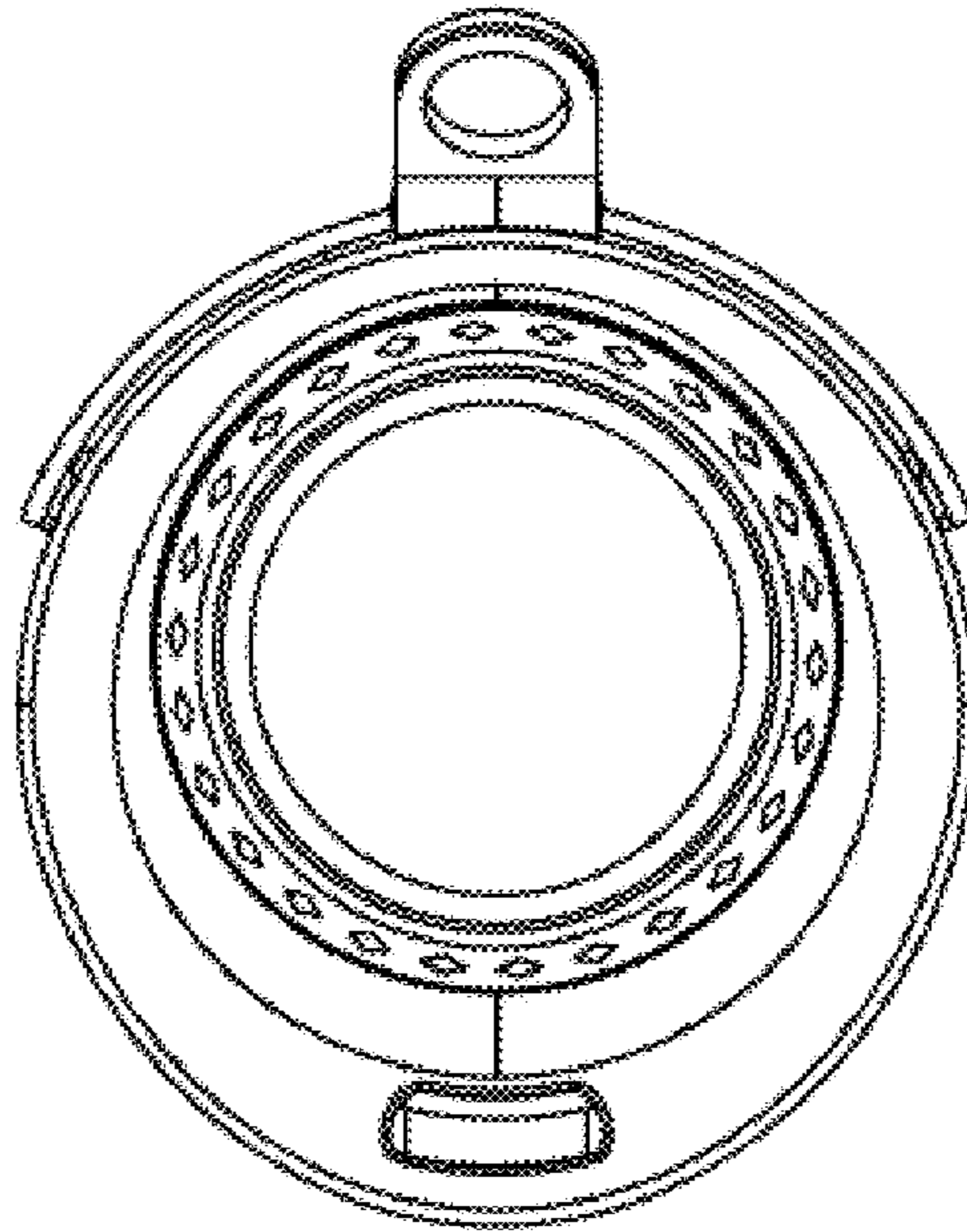
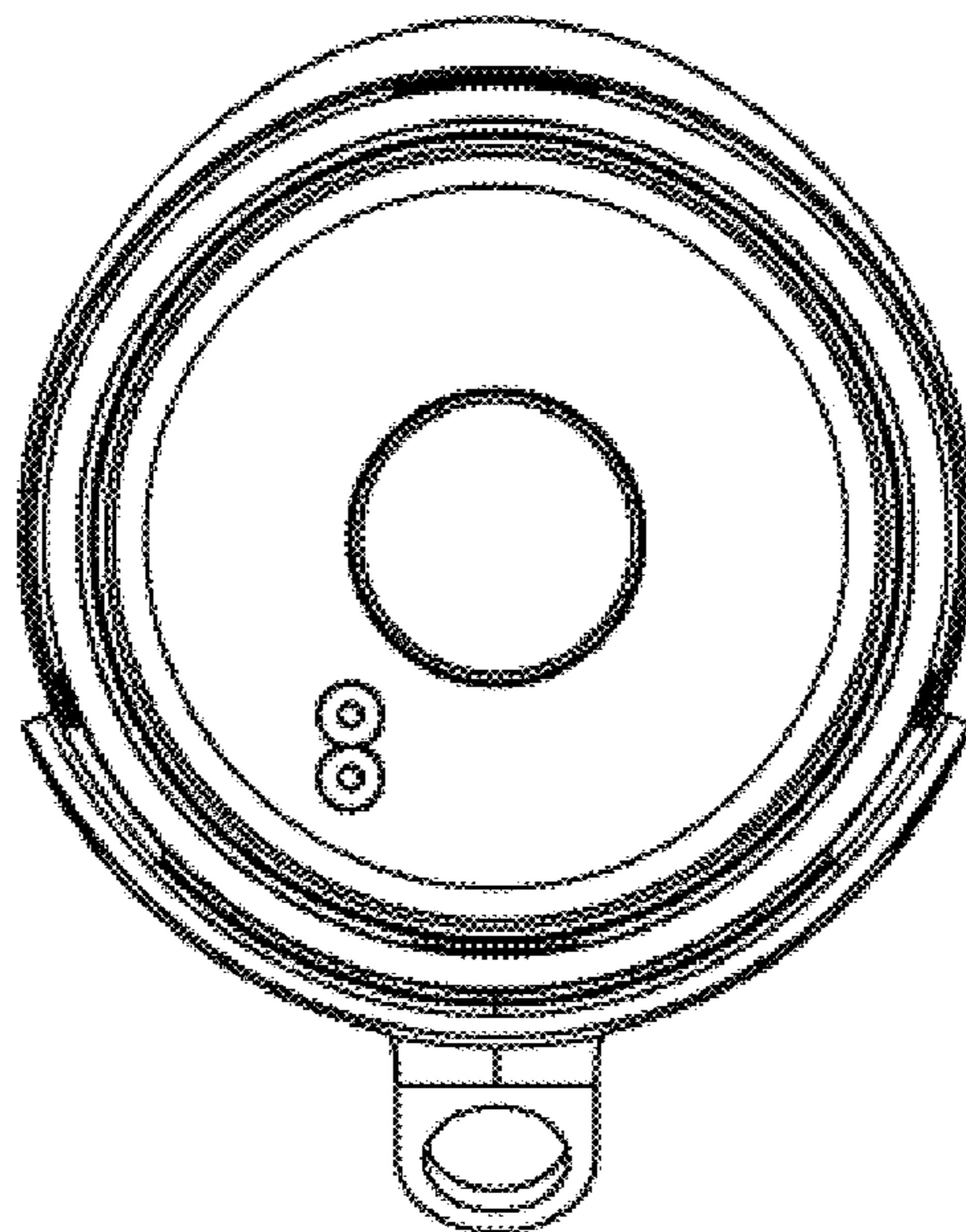


FIG. 2



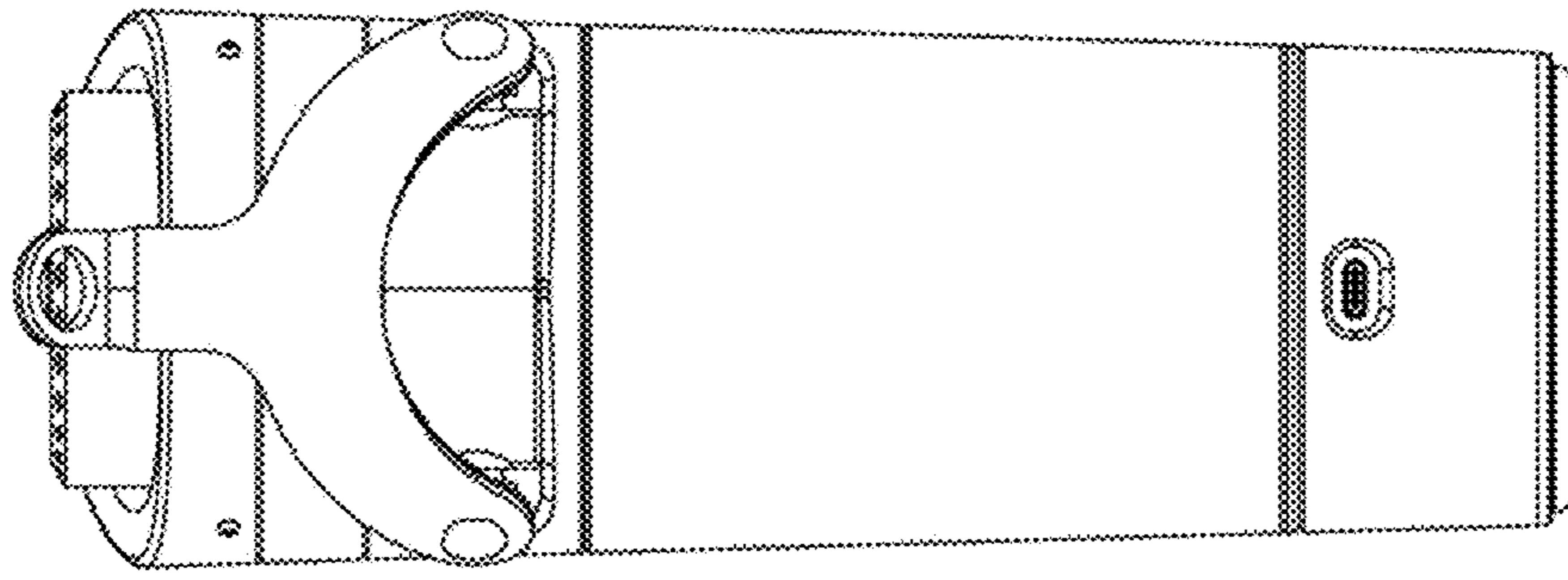


FIG. 6

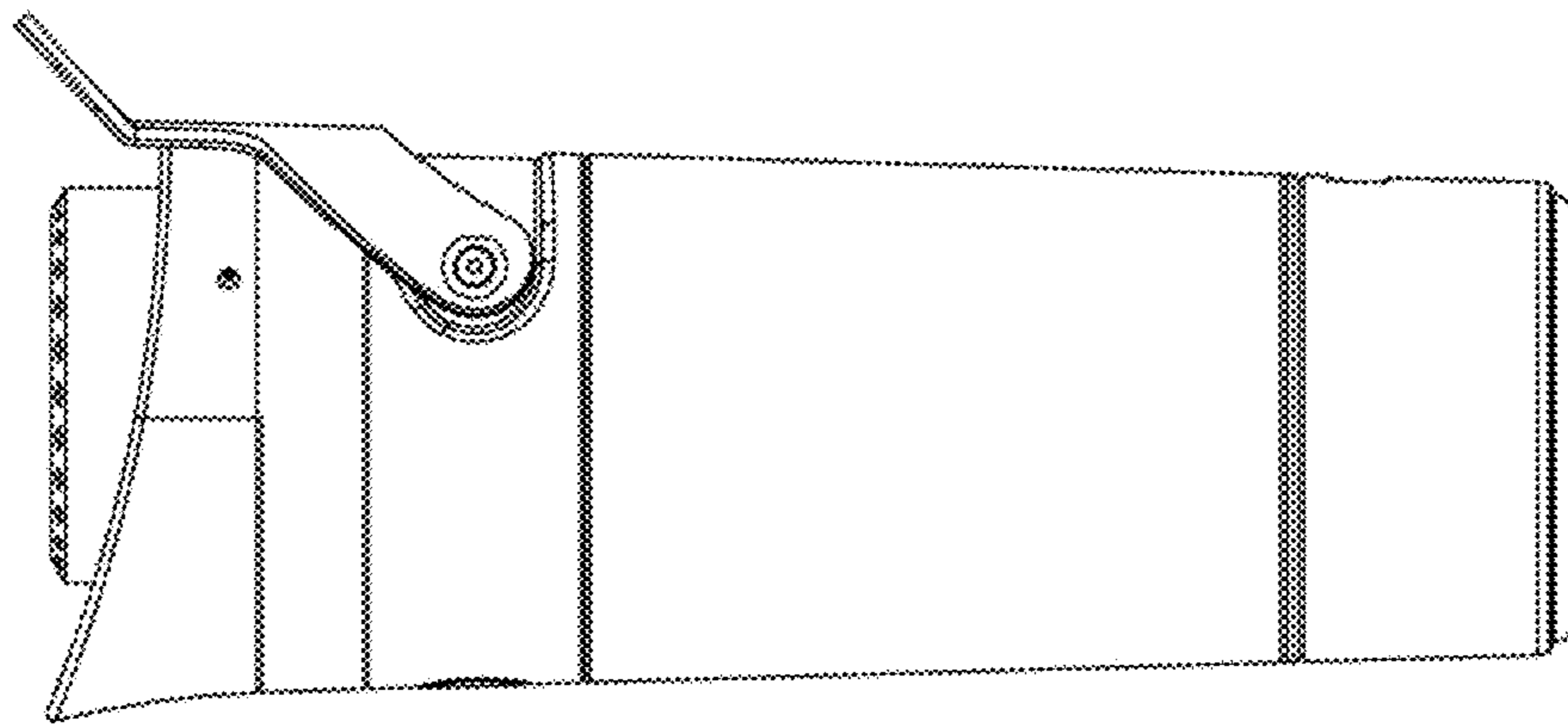


FIG. 5

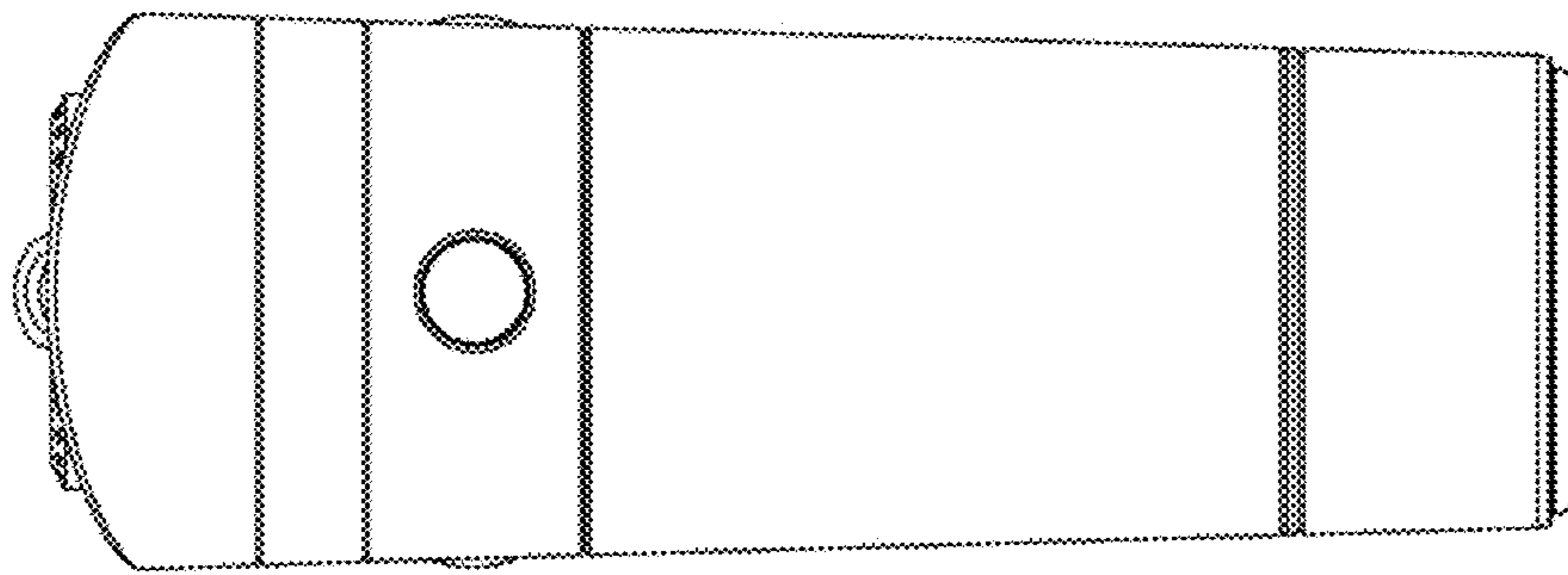


FIG. 4

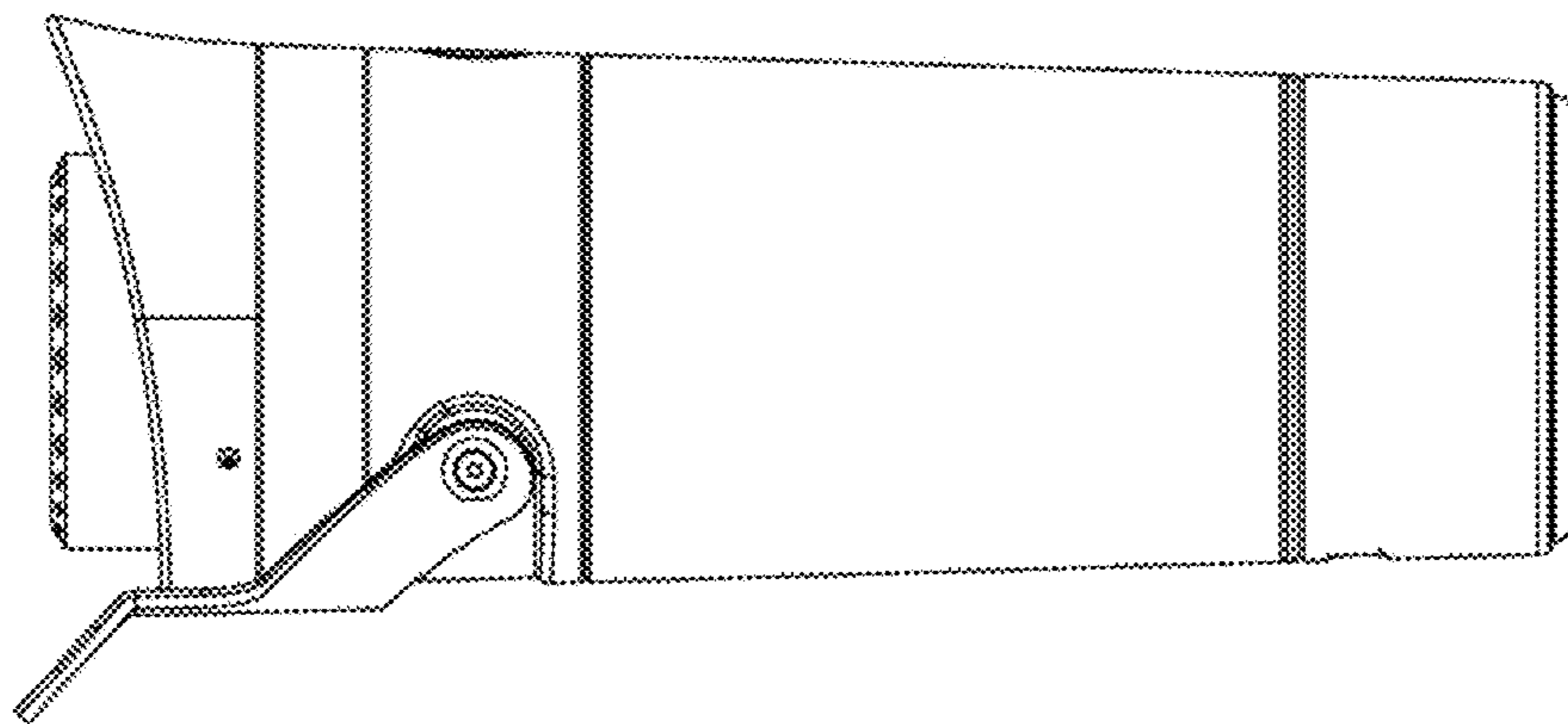


FIG. 3

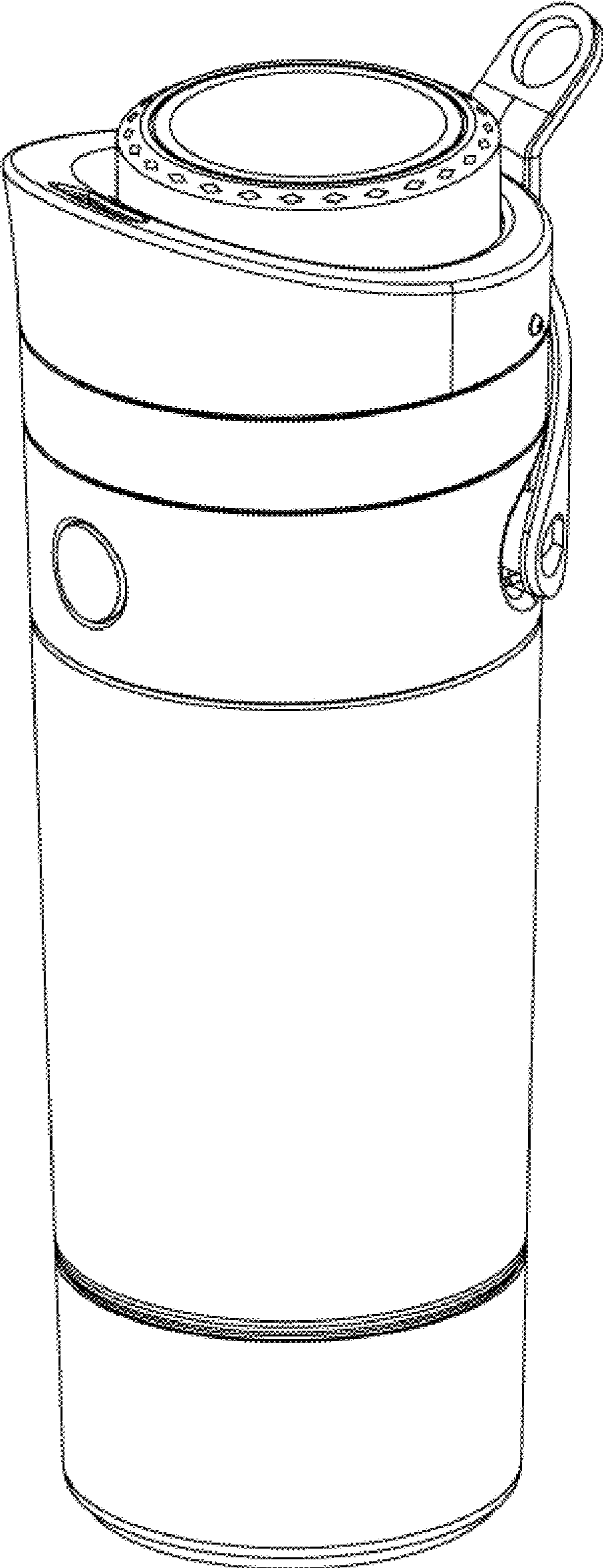


FIG. 7

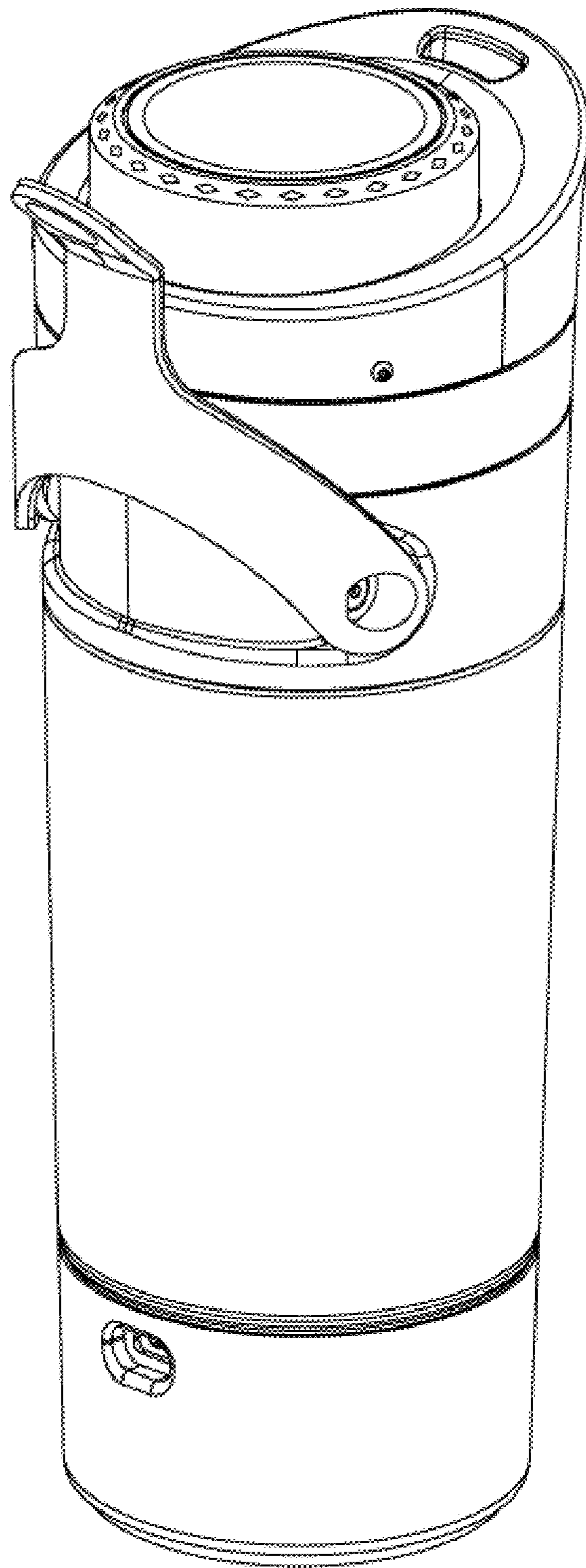


FIG. 8