



US00D963398S

(12) **United States Design Patent** (10) **Patent No.:** **US D963,398 S**
Peterson et al. (45) **Date of Patent:** **** Sep. 13, 2022**

(54) **DUTCH OVEN WITH LID**
(71) Applicant: **Lodge Manufacturing Company**,
South Pittsburg, TN (US)
(72) Inventors: **Kelly Peterson**, Chattanooga, TN (US);
Christopher Dorion, Elmhurst, IL (US)
(73) Assignee: **LODGE MANUFACTURING**
COMPANY, South Pittsburg, TN (US)

D683,179 S * 5/2013 Coursey D7/354
D702,991 S * 4/2014 Roussard D7/354
D811,800 S * 3/2018 Workman D7/354
D931,677 S * 9/2021 Cossu D7/360
2011/0252977 A1* 10/2011 Sacherman A47J 37/0704
99/450
2013/0161334 A1* 6/2013 Liu A47J 36/02
220/573.1
2017/0172345 A1* 6/2017 Bennett A47J 37/101

(**) Term: **15 Years**
(21) Appl. No.: **29/770,141**

(22) Filed: **Feb. 9, 2021**
(51) **LOC (13) Cl.** **07-02**
(52) **U.S. Cl.**
USPC **D7/360; D7/354**
(58) **Field of Classification Search**
USPC D7/323, 354-363, 391, 393-396, 409,
D7/542, 545
CPC A47G 19/12; A47J 27/00; A47J 27/002;
A47J 27/08; A47J 27/21; A47J 27/58;
A47J 36/025; A47J 36/02; A47J 36/06;
A47J 36/12; A47J 37/00; A47J 37/0704;
A47J 37/10; A47J 37/101; A47J 37/103;
A47J 37/12; A47J 37/1204; A47J 45/061;
A47J 45/071; A47J 45/08; H05B 6/12
See application file for complete search history.

(56) **References Cited**
U.S. PATENT DOCUMENTS
D207,594 S * 5/1967 Aubecq D7/542
D212,704 S * 11/1968 Benes D7/360
D295,819 S * 5/1988 Mercadante D7/545
D325,684 S * 4/1992 Deare D30/129
6,105,810 A * 8/2000 Daenen A47J 36/12
220/366.1
D667,273 S * 9/2012 Henry D7/542

OTHER PUBLICATIONS

Le Creuset Enameled Cast Iron Signature Round Dutch Oven. Date First Available on Amazon.com Aug. 8, 2018. <https://www.amazon.com/dp/B07G2R8TN9/ref> (Year: 2018).*

(Continued)

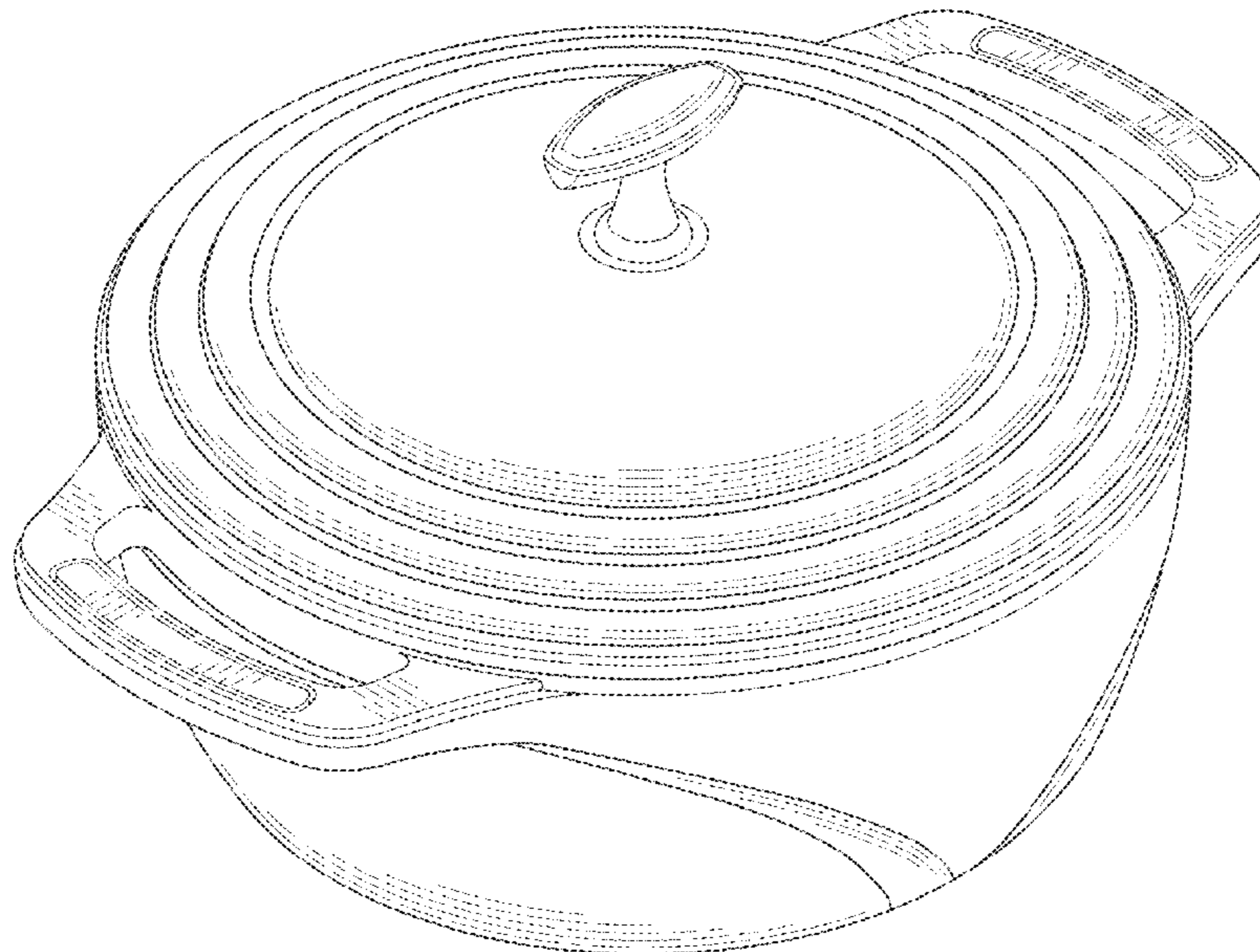
Primary Examiner — Ricky Pham
(74) *Attorney, Agent, or Firm* — Alleman Hall Creasman & Tuttle LLP

(57) **CLAIM**
The ornamental design for a Dutch oven with lid, as shown and described.

DESCRIPTION

FIG. 1 is a top perspective view of a Dutch oven with lid according to the present invention.
FIG. 2 is a side elevational view of the Dutch oven with lid of FIG. 1, the opposite side view being the same.
FIG. 3 is an end elevational view of the Dutch oven with lid of FIG. 1, the opposite end view being the same.
FIG. 4 is a top plan view of the Dutch oven with lid of FIG. 1; and,
FIG. 5 is a bottom plan view of the Dutch oven with lid of FIG. 1.
The broken lines in the figures are directed to environment and form no part of the claimed design.

1 Claim, 4 Drawing Sheets



(56)

References Cited

OTHER PUBLICATIONS

“6 Quart Blue Enameled Cast Iron Dutch Oven,” Lodge Cast Iron, Available Online at <https://www.lodgecastiron.com/product/enameled-dutch-oven?sku=EC6D33>, Available as Early as Dec. 31, 2006, 4 pages.

“Round Dutch Oven,” Le Creuset, Available Online at <http://web.archive.org/web/20200618185951/https://www.lecreuset.com/round-dutch-oven/LS2501.html>, Available as Early as Jun. 18, 2020, 2 pages.

* cited by examiner

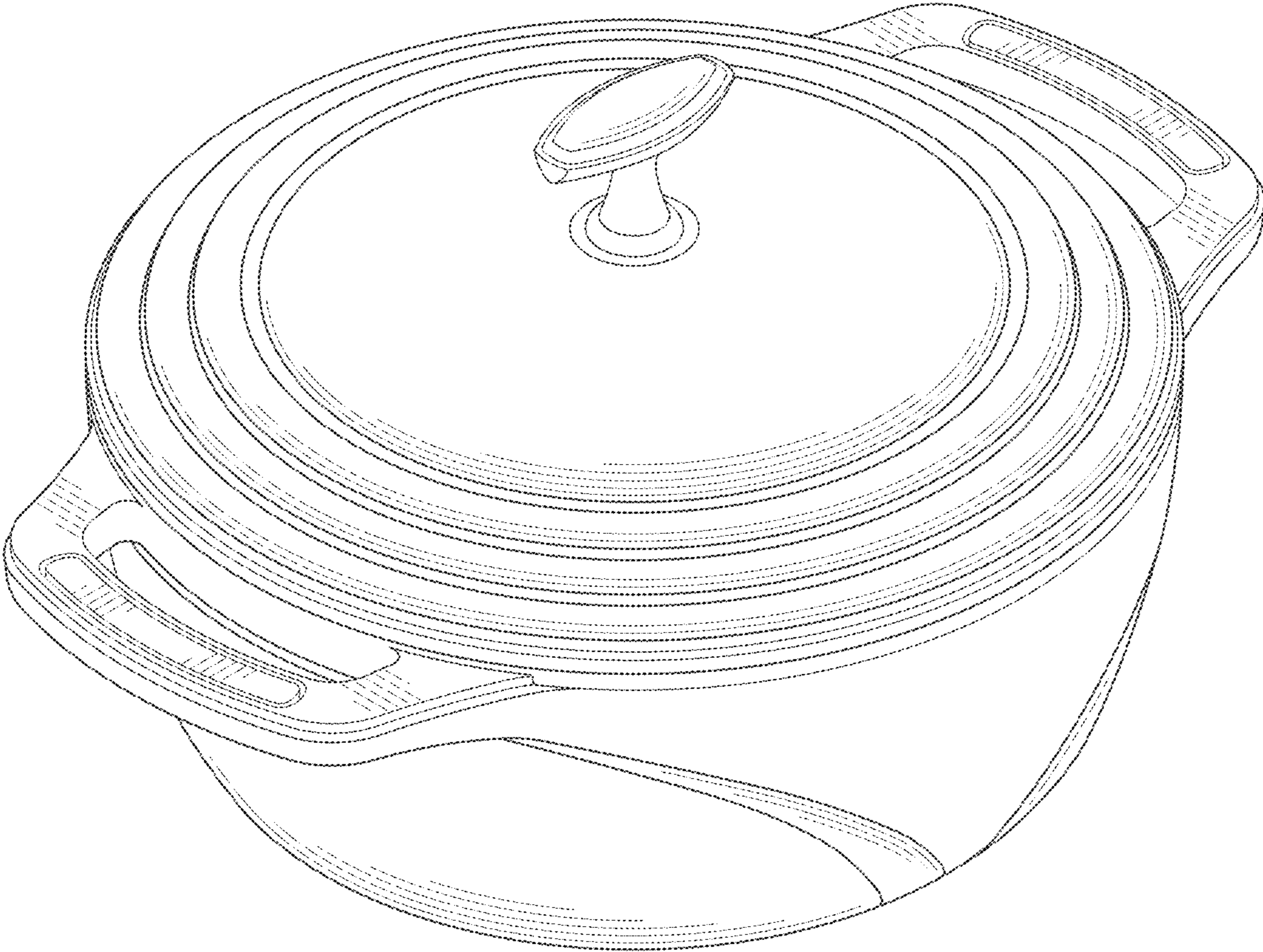


FIG. 1

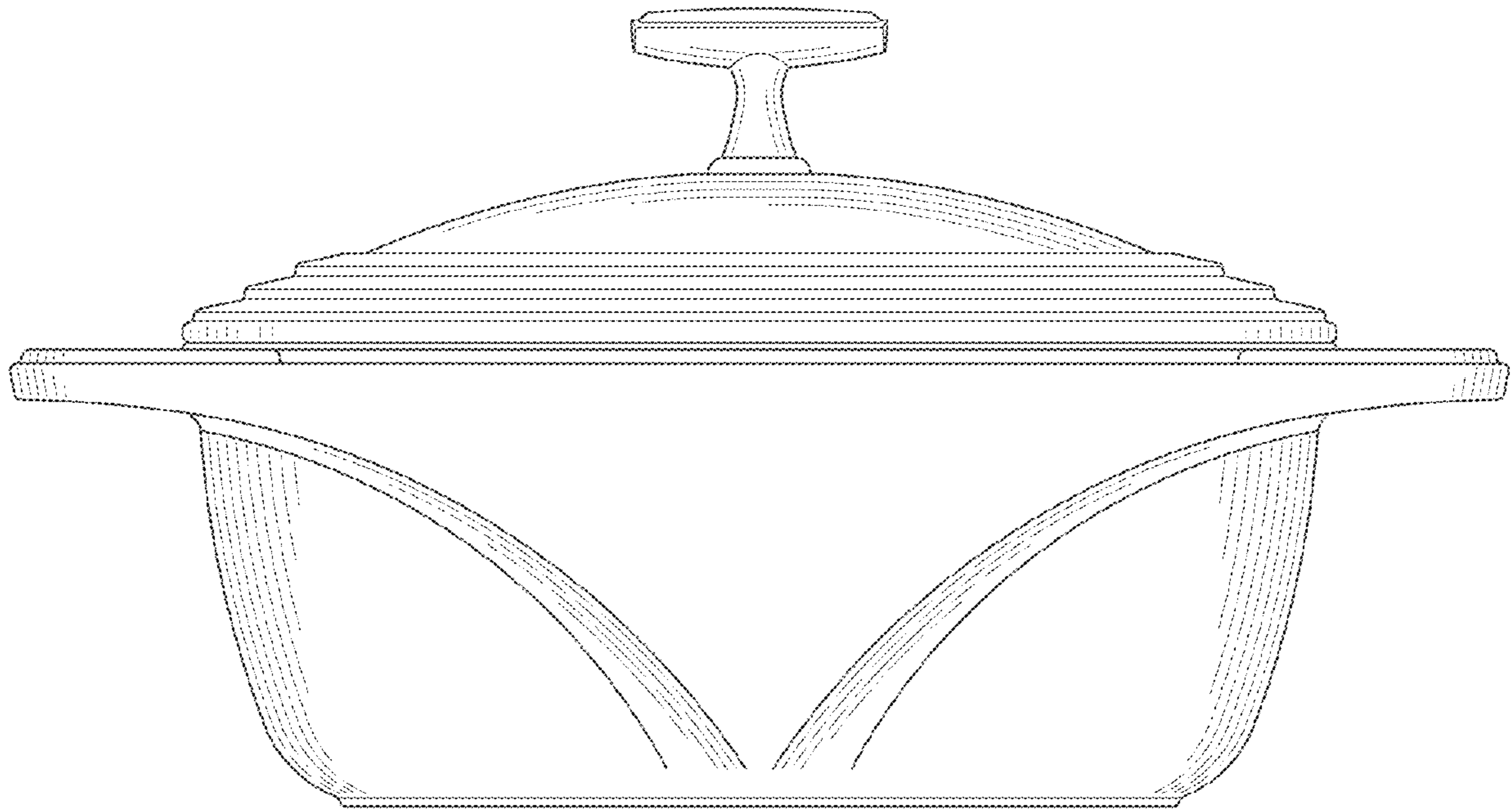


FIG. 2

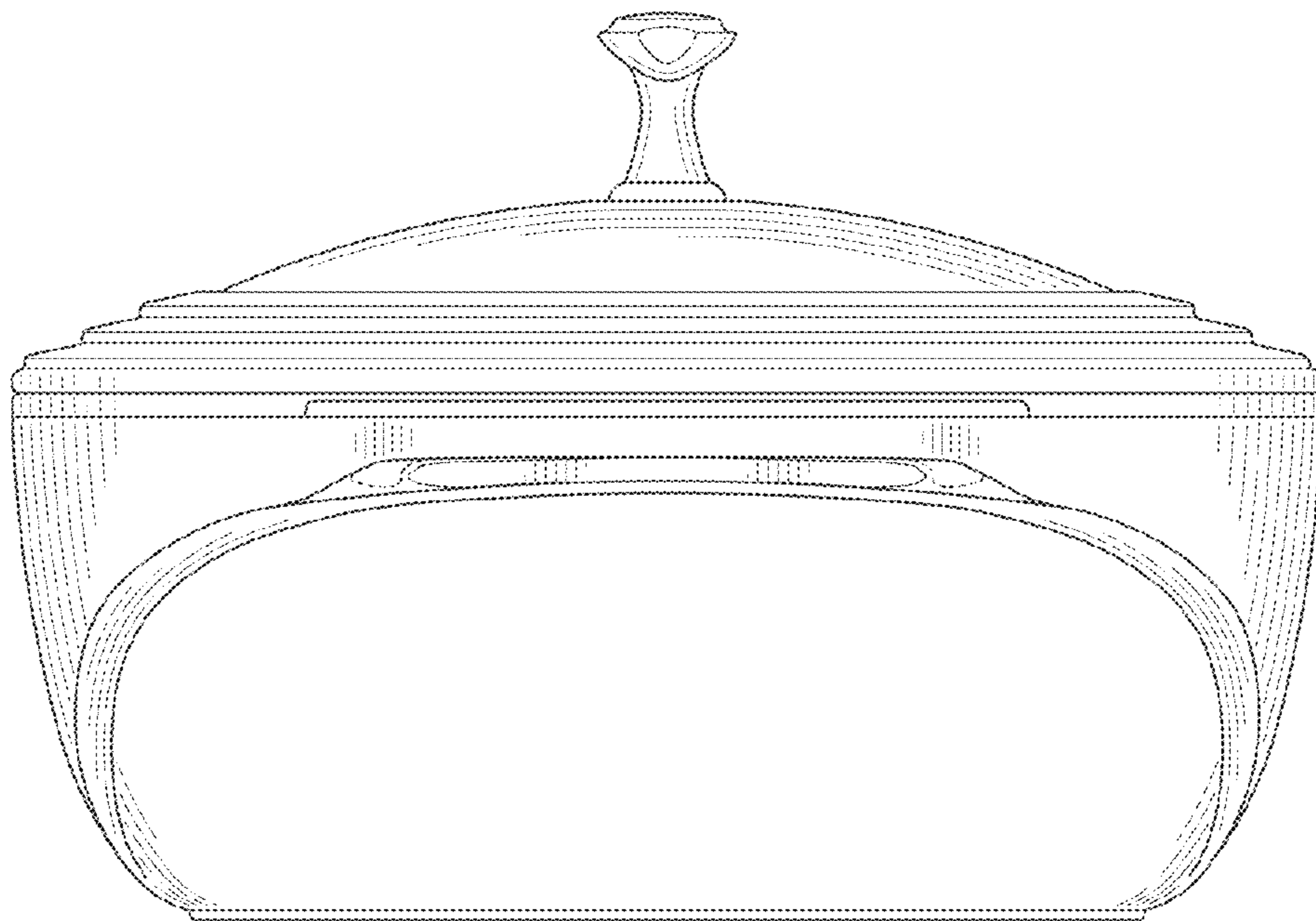


FIG. 3

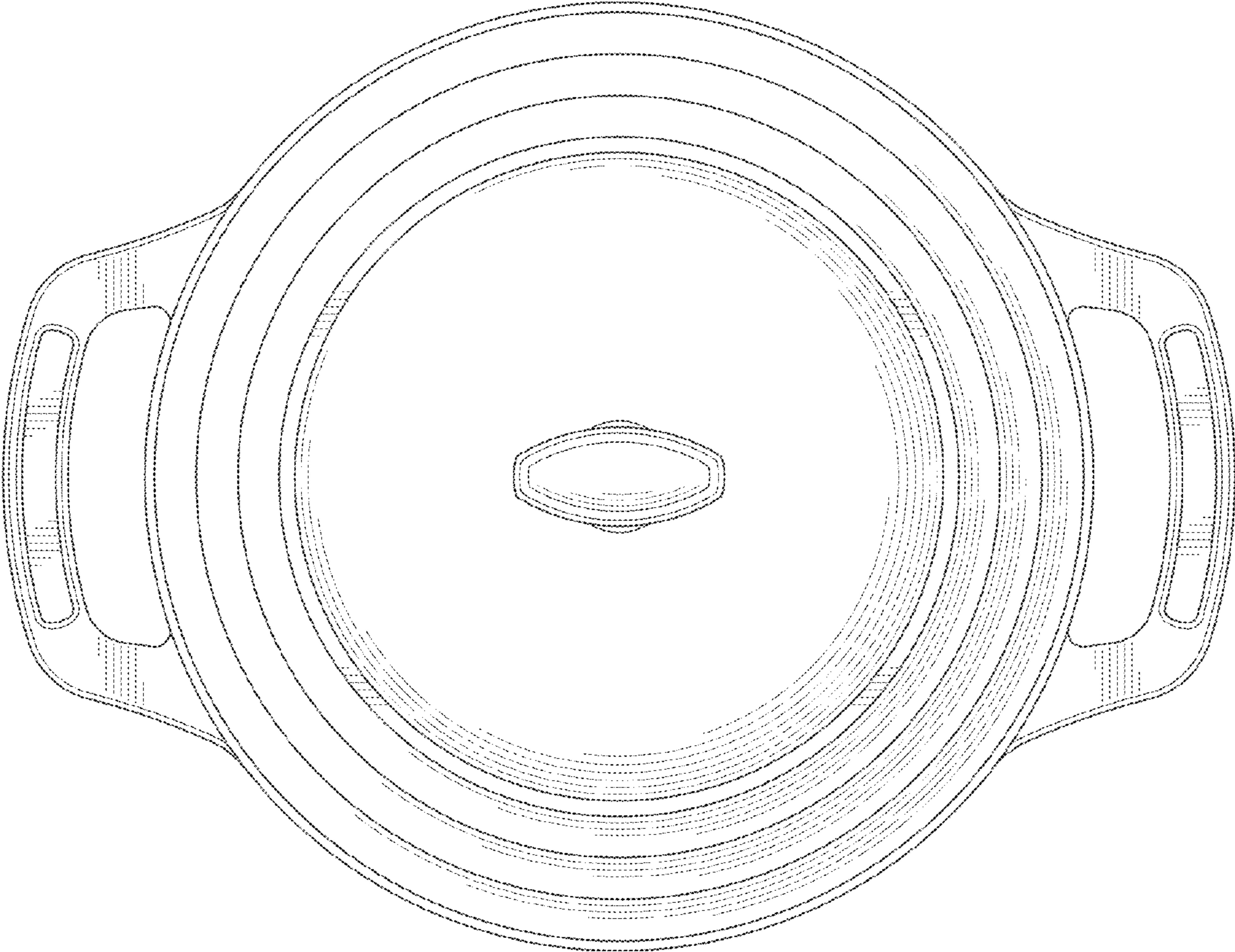


FIG. 4

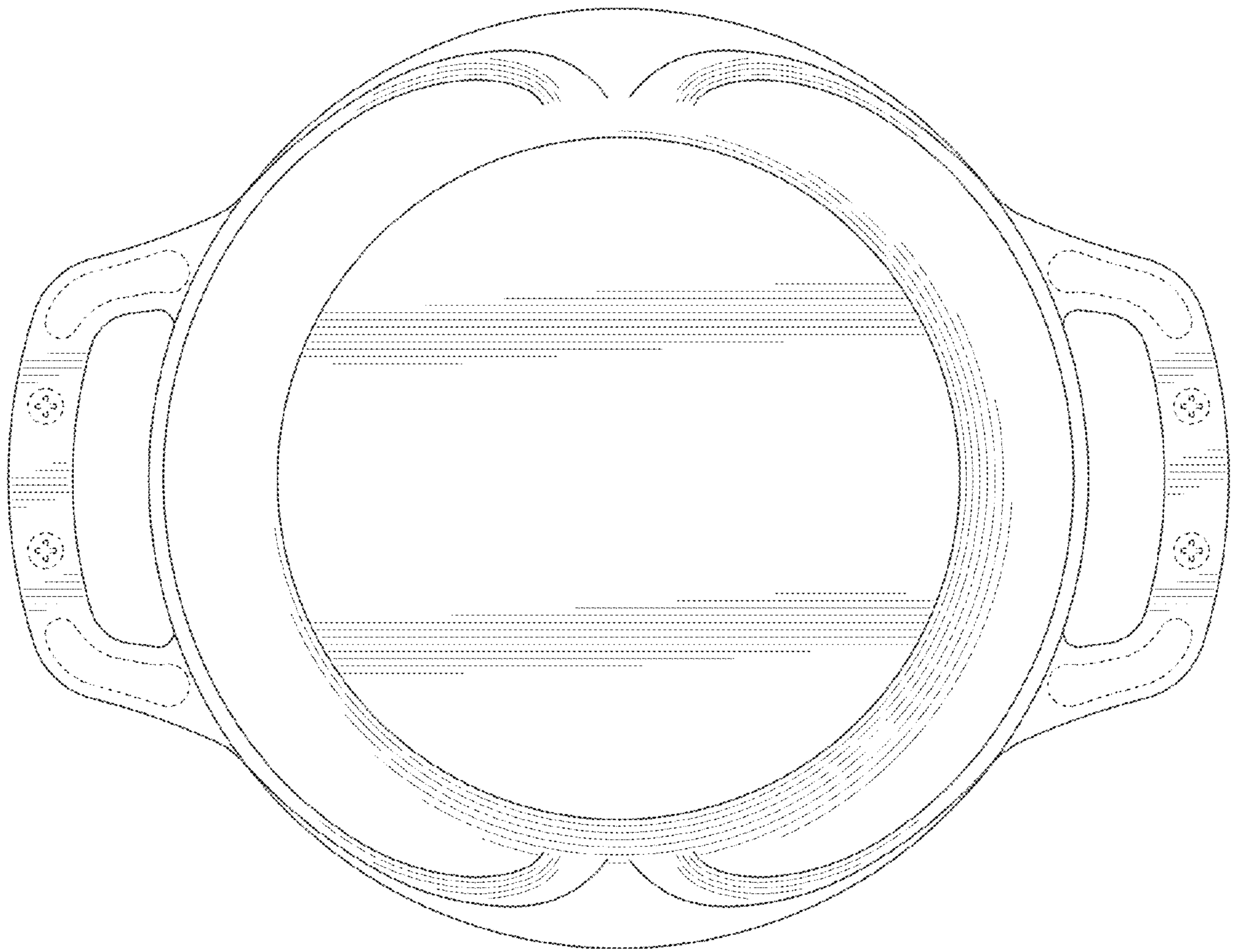


FIG. 5