

US00D963397S

(12) **United States Design Patent**
Tan et al.

(10) **Patent No.:** **US D963,397 S**
(45) **Date of Patent:** **** Sep. 13, 2022**

(54) **PRESSURE COOKER**
(71) Applicant: **MIDEA GROUP CO., LTD.**, Foshan (CN)
(72) Inventors: **Mao Tan**, Guangdong (CN);
Shoucheng Xu, Guangdong (CN)
(73) Assignee: **MIDEA GROUP CO., LTD.**, Foshan (CN)
(**) Term: **15 Years**

D285,644 S * 9/1986 Kitakaze D7/358
D341,056 S * 11/1993 Powell D7/354
D369,505 S * 5/1996 Philippe D7/354
D413,483 S * 9/1999 Roussard D7/358
D418,007 S * 12/1999 Boughey D7/358
D532,248 S * 11/2006 Allende Fritsch D7/354
D549,517 S * 8/2007 Moran D7/358
D642,422 S * 8/2011 Averty D7/354
D703,994 S * 5/2014 Tumenbatur D7/358
D704,500 S * 5/2014 Kim D7/354
D711,182 S * 8/2014 Roussard D7/354
D713,197 S * 9/2014 Seyers D7/354
D715,088 S * 10/2014 Kim D7/354

(Continued)

(21) Appl. No.: **35/511,130**

(22) Filed: **Oct. 21, 2020**

(80) **Hague Agreement Data**

Int. Filing Date: **Oct. 21, 2020**
Int. Reg. No.: **DM/211979**
Int. Reg. Date: **Oct. 21, 2020**
Int. Reg. Pub. Date: **Jan. 15, 2021**

(30) **Foreign Application Priority Data**

Aug. 31, 2020 (CN) 202030506907.1

(51) **LOC (13) Cl.** **07-02**

(52) **U.S. Cl.**
USPC **D7/358**

(58) **Field of Classification Search**

USPC D7/323, 337, 339, 346, 347, 350.3, 354,
D7/355, 356, 358, 360

CPC A47J 27/00; A47J 27/04; A47J 2027/043;
A47J 27/08; A47J 27/0802; A47J
27/0804; A47J 27/0817; A47J 27/084;
A47J 27/086; A47J 27/088

See application file for complete search history.

(56) **References Cited**

U.S. PATENT DOCUMENTS

3,801,331 A * 4/1974 Sano A47J 36/38
D7/354
4,148,250 A * 4/1979 Miki A47J 36/06
99/403

OTHER PUBLICATIONS

Midea Electric Pressure Cooker, small kitchen appliances, midea.cn, <https://www.midea.cn/10042/1000000000100511279180.html> (Year: 2022).*

(Continued)

Primary Examiner — Steven J Cxyz

(57) **CLAIM**

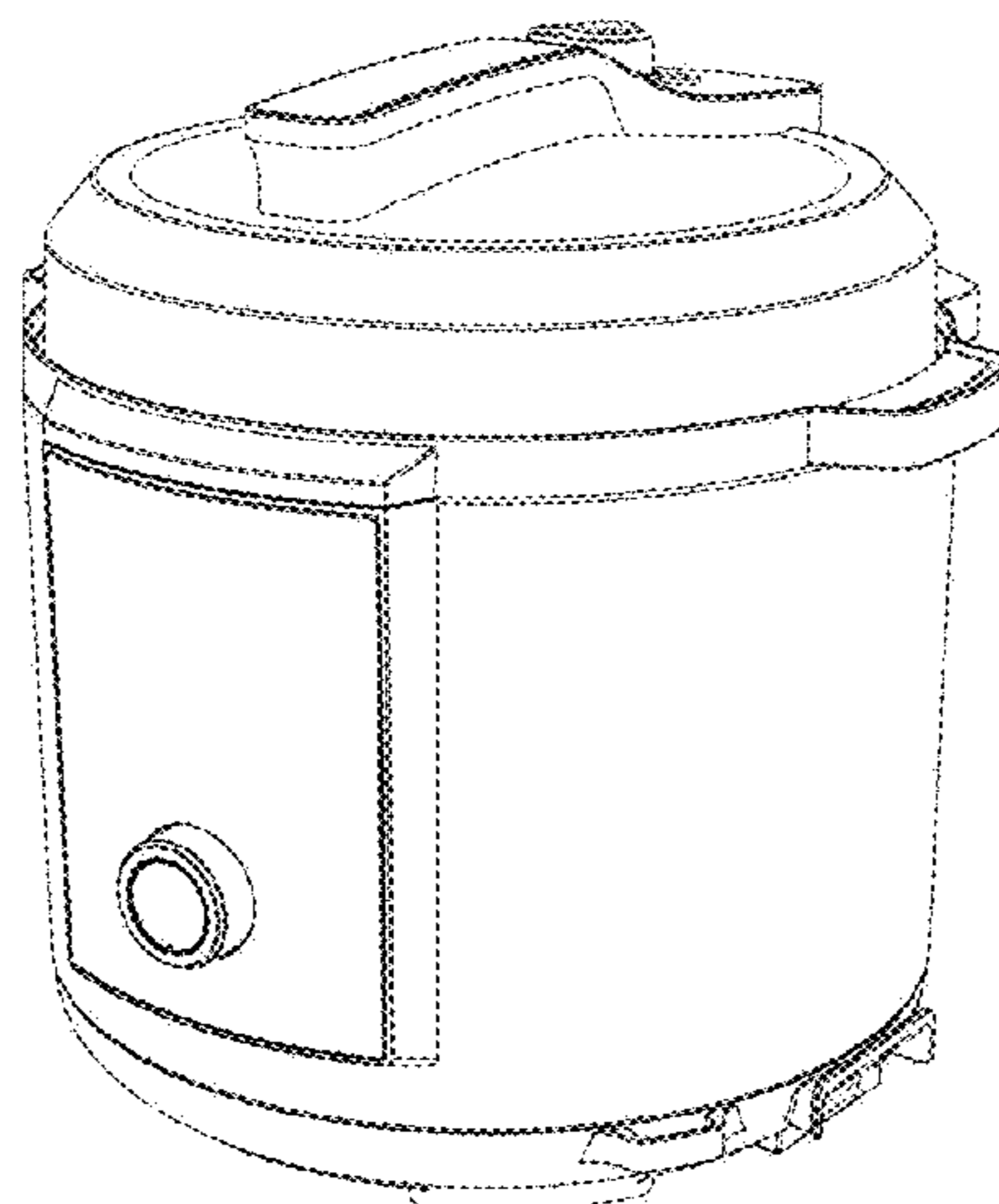
The ornamental design for a pressure cooker, as shown and described.

DESCRIPTION

- 1. Pressure cooker
- 1.1 Front
- 1.2 Back
- 1.3 Left
- 1.4 Right
- 1.5 Top
- 1.6 Bottom
- 1.7 Perspective

The broken lines shown in the reproductions depict portions of the pressure cooker that form no part of the claimed design.

1 Claim, 7 Drawing Sheets



(56)

References Cited

U.S. PATENT DOCUMENTS

D755,006 S * 5/2016 Prats D7/354
 D756,159 S * 5/2016 Chang D7/354
 D789,144 S * 6/2017 Prats D7/358
 D802,987 S * 11/2017 Corlay D7/354
 D833,202 S * 11/2018 Yang D7/354
 D838,546 S * 1/2019 Wang D7/406
 D846,335 S * 4/2019 Yang D7/354
 D846,336 S * 4/2019 Hoenderdos D7/358
 D854,875 S * 7/2019 Tan D7/354
 D860,712 S * 9/2019 Yang D7/354
 D861,411 S * 10/2019 Huang D7/354
 D861,412 S * 10/2019 Yang D7/354
 D871,828 S * 1/2020 Tan D7/354
 D876,874 S * 3/2020 Varjabedian D7/354
 D883,014 S * 5/2020 Varjabedian D7/354
 D883,015 S * 5/2020 Deng D7/354
 D886,510 S * 6/2020 Zhang D7/354
 D887,198 S * 6/2020 Zhao D7/354
 D899,178 S * 10/2020 Ye D7/354
 D901,230 S * 11/2020 Ye D7/354
 D907,427 S * 1/2021 Ye D7/354
 D910,365 S * 2/2021 Qin D7/358
 D915,125 S * 4/2021 Moon D7/354
 D915,825 S * 4/2021 Wang D7/406
 D920,732 S * 6/2021 Deng D7/354
 D926,513 S * 8/2021 Moon D7/358
 D927,919 S * 8/2021 Wang D7/358
 D929,792 S * 9/2021 Fransen D7/354
 D930,423 S * 9/2021 Wang A47J 37/0623
 D931,034 S * 9/2021 Fung D7/358
 2005/0284305 A1 * 12/2005 Angue A47J 27/0808
 99/337
 2009/0020021 A1 * 1/2009 Rhetat A47J 27/0802
 99/342

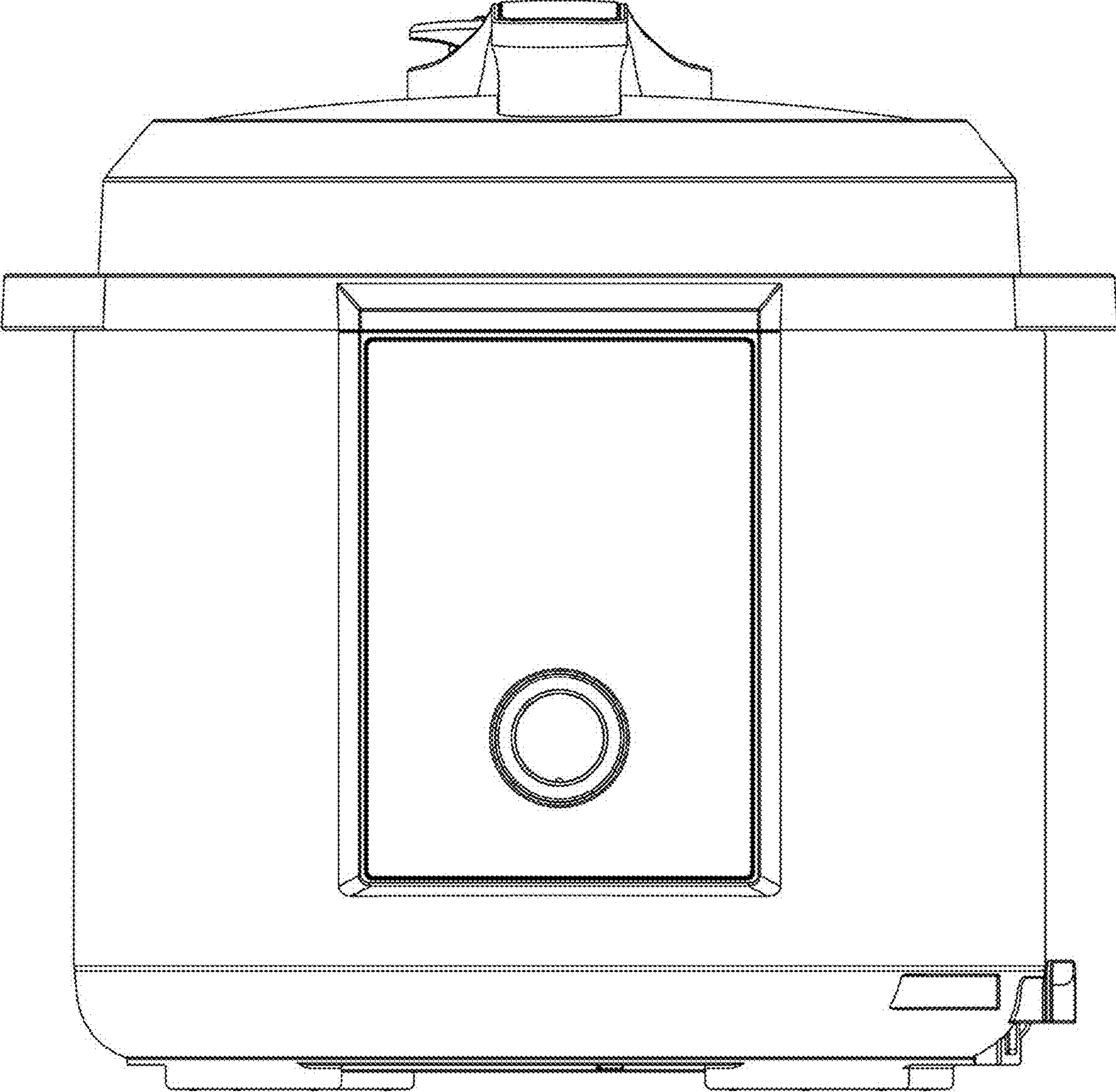
2009/0101643 A1 * 4/2009 Rhetat A47J 27/09
 220/303
 2013/0255509 A1 * 10/2013 He A47J 27/0804
 99/352
 2014/0339223 A1 * 11/2014 Backaert A47J 27/0806
 219/734
 2016/0135636 A1 * 5/2016 Song A47J 27/08
 219/431
 2016/0353914 A1 * 12/2016 Chameroy A47J 27/09
 2017/0347833 A1 * 12/2017 Ohta A47J 37/0623
 2018/0279832 A1 * 10/2018 Ohta A47J 43/0465
 2019/0167028 A1 * 6/2019 Wang A47J 36/06
 2019/0274462 A1 * 9/2019 Moon A47J 27/086
 2020/0000263 A1 * 1/2020 Peng A47J 27/0802
 2020/0128998 A1 * 4/2020 Qin A47J 27/0815
 2020/0224934 A1 * 7/2020 Itzkowitz A47J 27/002
 2020/0323380 A1 * 10/2020 Wang A47J 27/0813
 2020/0352384 A1 * 11/2020 Houjun A47J 27/086
 2020/0359824 A1 * 11/2020 Han A47J 27/004
 2021/0000292 A1 * 1/2021 Siu A21B 1/26
 2021/0113008 A1 * 4/2021 Luce F16K 17/06
 2021/0121013 A1 * 4/2021 Elliston A47J 27/09
 2021/0137299 A1 * 5/2021 Moon A47J 37/0641
 2021/0137300 A1 * 5/2021 Moon A47J 27/09
 2021/0198024 A1 * 7/2021 Larson B65D 81/3438
 2021/0259453 A1 * 8/2021 Newhouse A47J 36/16
 2021/0378450 A1 * 12/2021 Han B01F 27/90
 2022/0000301 A1 * 1/2022 Huang A47J 37/0641
 2022/0039585 A1 * 2/2022 Hensley A47J 27/0802

OTHER PUBLICATIONS

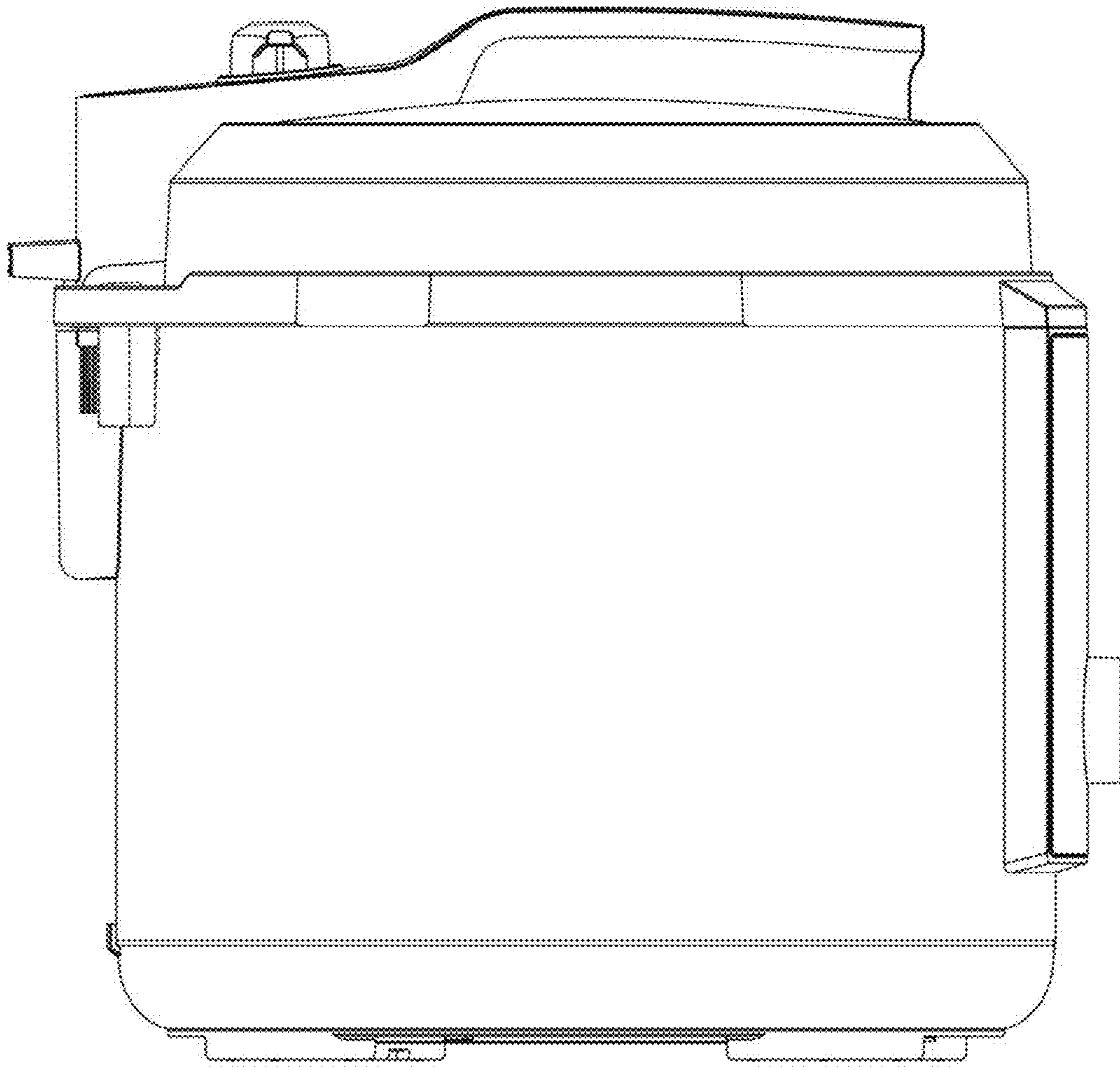
Midea 6L Electric Pressure Cooker, ople.com, <https://ople.com.au/products/midea-my-cs6022wpa-digital-pressure-cooker> (Year: 2022).*
 Sencor Electric Pressure Cooker, sencor.com, <https://www.sencor.com/electric-pressure-cooker/spr-3900ss> (Year: 2022).*

* cited by examiner

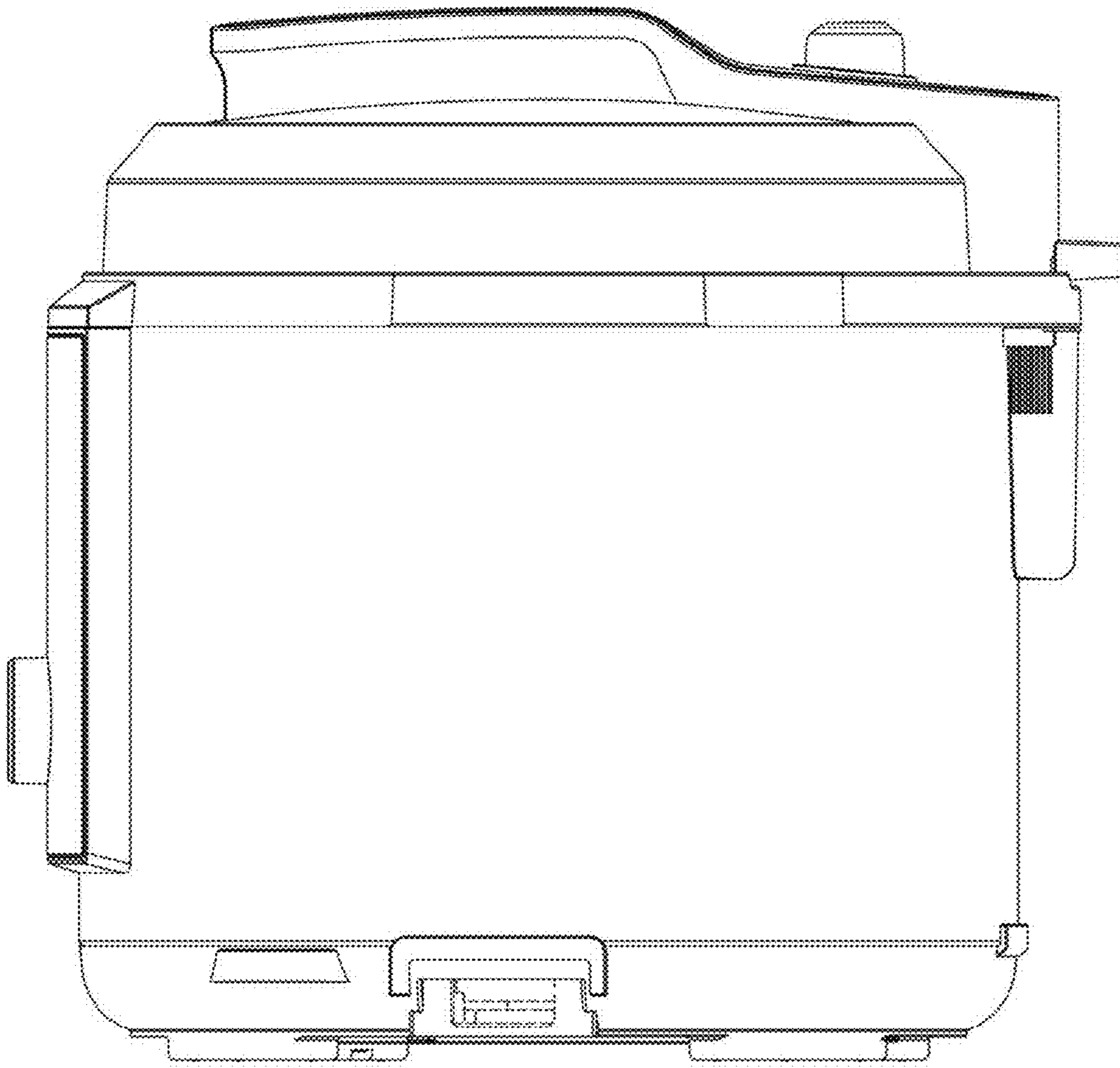
1.1





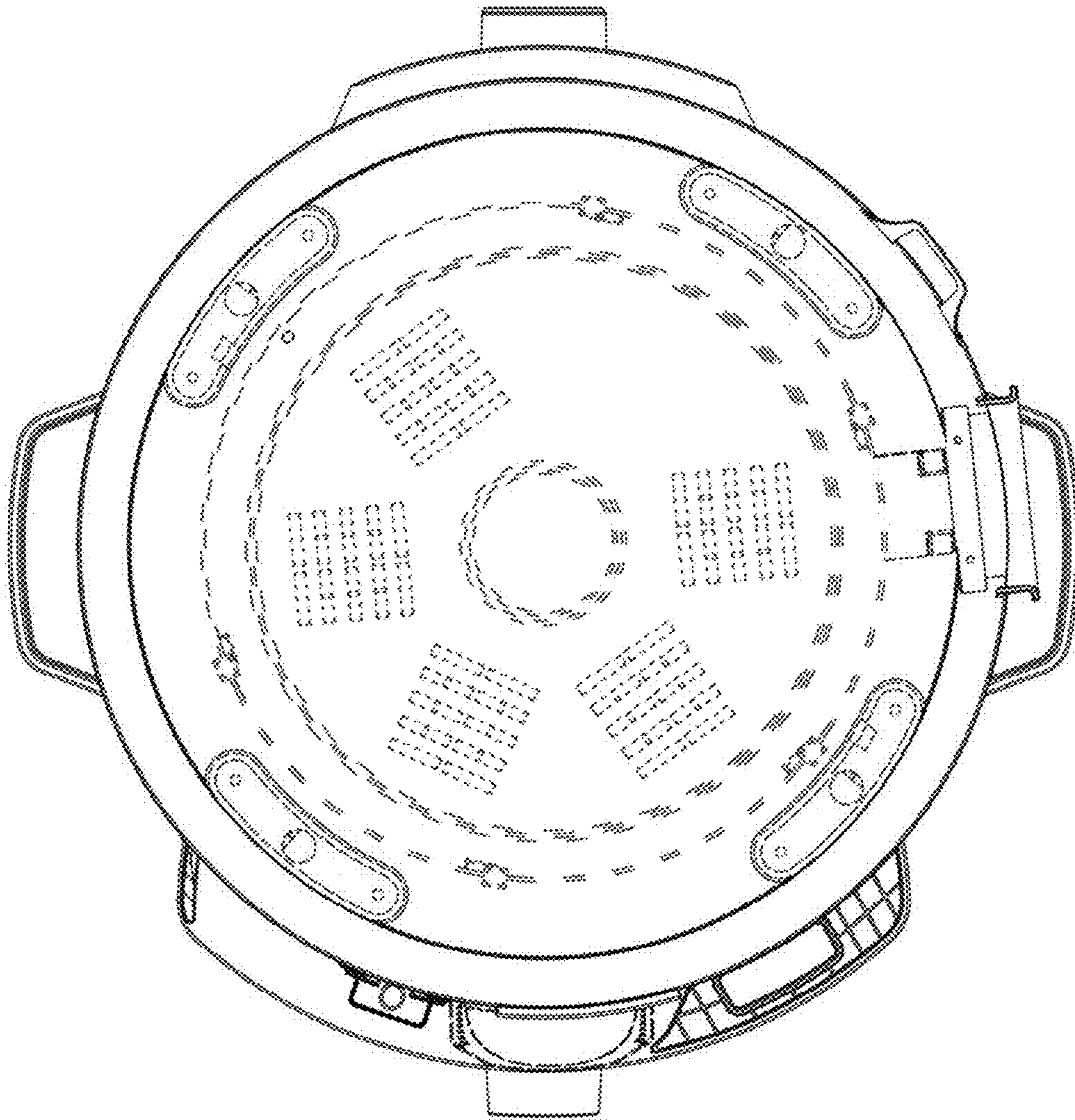


1.3

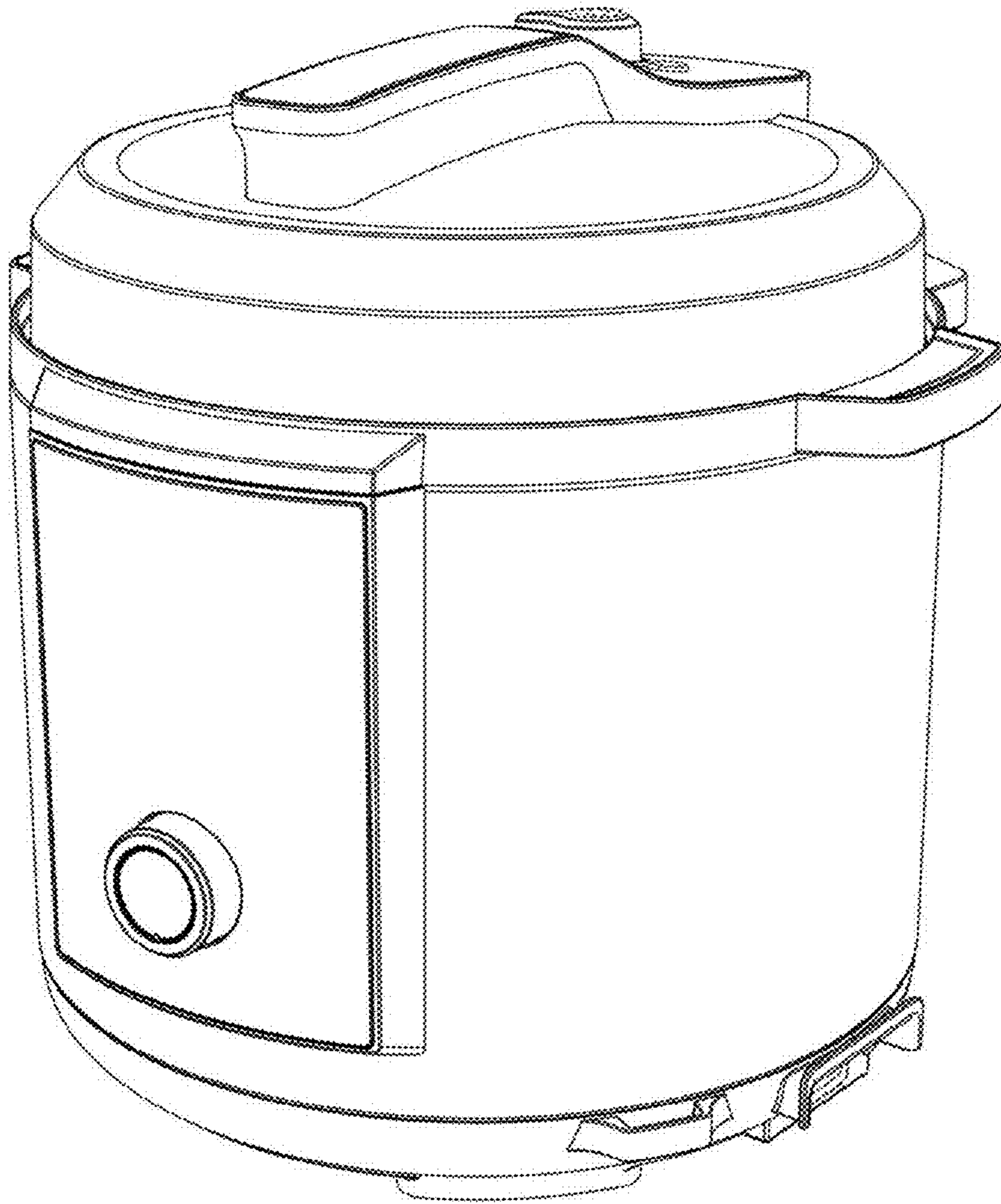




1.5



1.6



1.7