



US00D963396S

(12) **United States Design Patent** (10) **Patent No.:** **US D963,396 S**
Sun (45) **Date of Patent:** **** Sep. 13, 2022**

(54) **ROCKET STOVE**

(71) Applicant: **WPG GoldSun Trading Inc**, Winnipeg (CA)

(72) Inventor: **Sujung Sun**, Winnipeg (CA)

(73) Assignee: **WPG GoldSun Trading Inc**, Winnipeg (CA)

(**) Term: **15 Years**

(21) Appl. No.: **29/797,155**

(22) Filed: **Jun. 29, 2021**

(51) **LOC (13) Cl.** **07-02**

(52) **U.S. Cl.**
USPC **D7/332**

(58) **Field of Classification Search**
USPC D7/332–338, 407–409; 126/25 R, 9 R, 126/29
CPC A47J 37/0763; A47J 37/0786; A47J 37/0704; A47J 2037/0777; A47J 37/0694; A47J 33/00; F24B 1/205
See application file for complete search history.

(56) **References Cited**

U.S. PATENT DOCUMENTS

3,489,131	A *	1/1970	Richins	F24B 1/205 126/9 R
D550,022	S *	9/2007	Amajuwon	D7/332
D667,253	S *	9/2012	Warren	D7/335
D769,667	S *	10/2016	Ting	D7/332
D801,101	S *	10/2017	Osinga	D7/337
D819,387	S	6/2018	Stein		
D849,908	S *	5/2019	Wu	D23/343
D878,137	S *	3/2020	Fluksman	D7/332
D917,221	S *	4/2021	Waldner	D7/335
D945,208	S *	3/2022	Duan	D7/334
2013/0029024	A1 *	1/2013	Warren	A23L 5/15 426/523
2017/0079460	A1 *	3/2017	Steputis	F24B 1/207
2020/0378606	A1 *	12/2020	Lin	F23M 11/042
2021/0121016	A1 *	4/2021	Stitt	A47J 37/0704

OTHER PUBLICATIONS

TAFEIDA Rocket Stove, Feb. 2, 2021, Amazon, <https://www.amazon.com/TAFEIDA-portable-wood-burning-survival-backyard/dp/B08QW3N4FZ> (Year: 2021).*
StarBlue, Camping Rocket Stove, Mar. 11, 2020, Amazon, <https://www.amazon.com/Camping-Rocket-Stove-StarBlue-Carrying/dp/B085Y6PHLM> (Year: 2020).*
Sean Beardon, Homemade Wood Burning Rocket Stove, Jun. 20, 2018, Youtube, <https://www.youtube.com/watch?v=9-r4VLHQRIM> (Year: 2018).*

* cited by examiner

Primary Examiner — Brett Miller

(74) *Attorney, Agent, or Firm* — ScienBiziP, P.C.

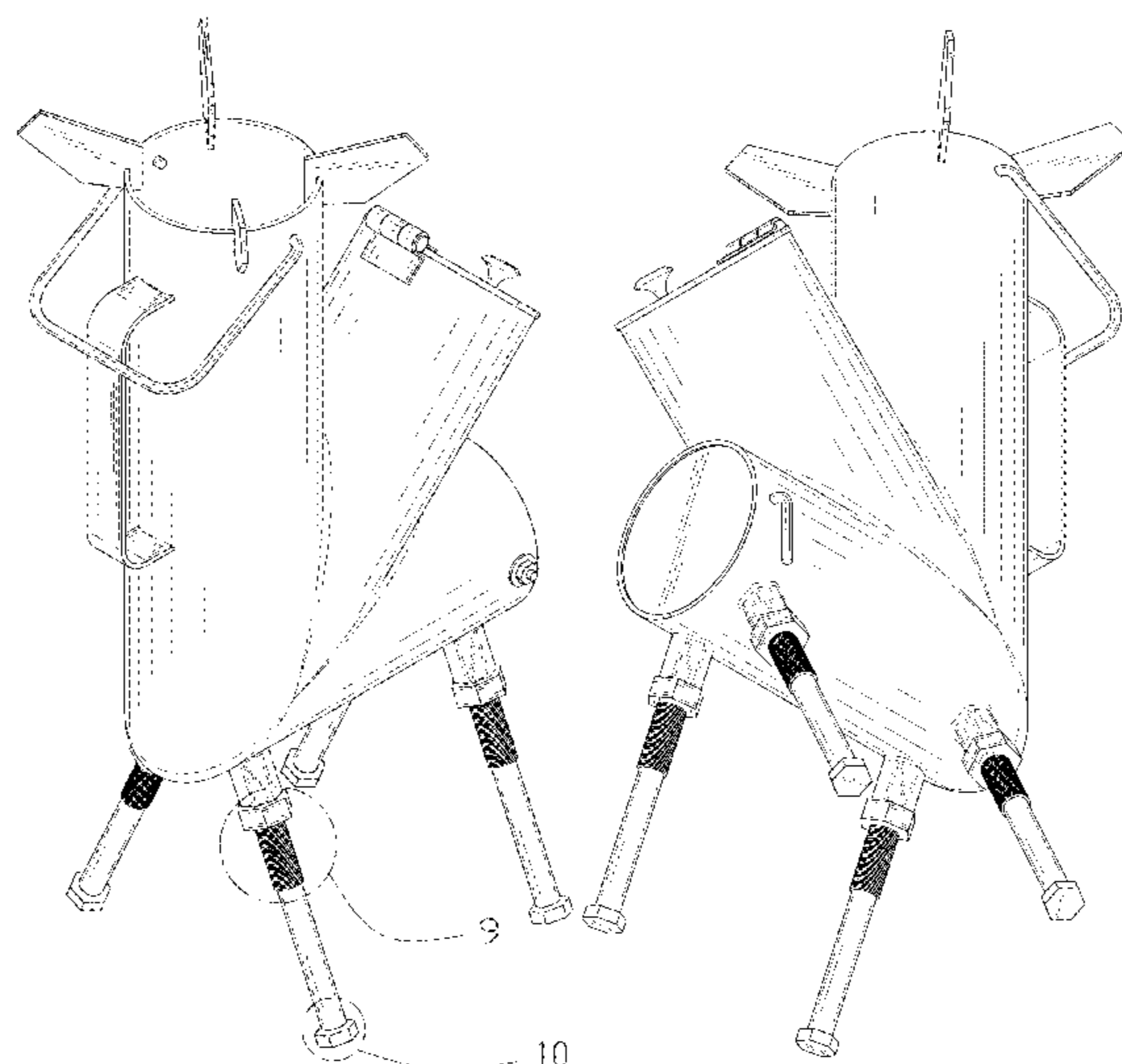
(57) **CLAIM**

The ornamental design for a rocket stove, as shown and described.

DESCRIPTION

FIG. 1 is a front, right, and top perspective view of a rocket stove, showing my design.
FIG. 2 is a rear, left, and bottom perspective view thereof.
FIG. 3 is a front elevation view thereof.
FIG. 4 is a rear elevation view thereof.
FIG. 5 is a left side elevation view thereof.
FIG. 6 is a right side elevation view thereof.
FIG. 7 is a top plan view thereof.
FIG. 8 is a bottom plan view thereof.
FIG. 9 is a partial enlarged view of an area labeled 9 in FIG. 1 comprising a first part of a leg; and,
FIG. 10 is a partial enlarged view of an area labeled 10 in FIG. 1 comprising a second part of the leg.
The broken lines shown in the drawings are included for the purpose of illustrating portions of the rocket stove that form no part of the claimed design.

1 Claim, 10 Drawing Sheets



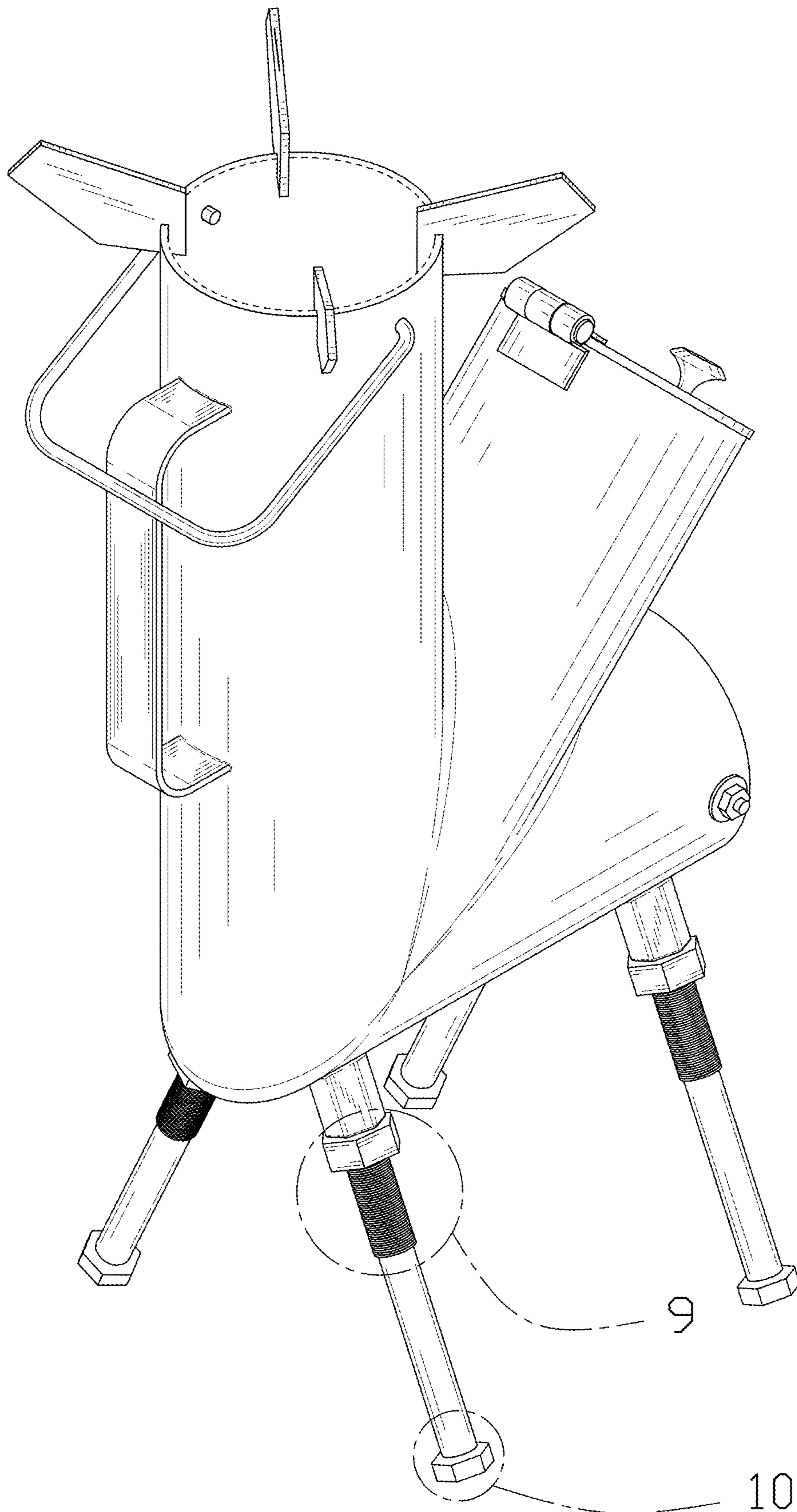


FIG. 1

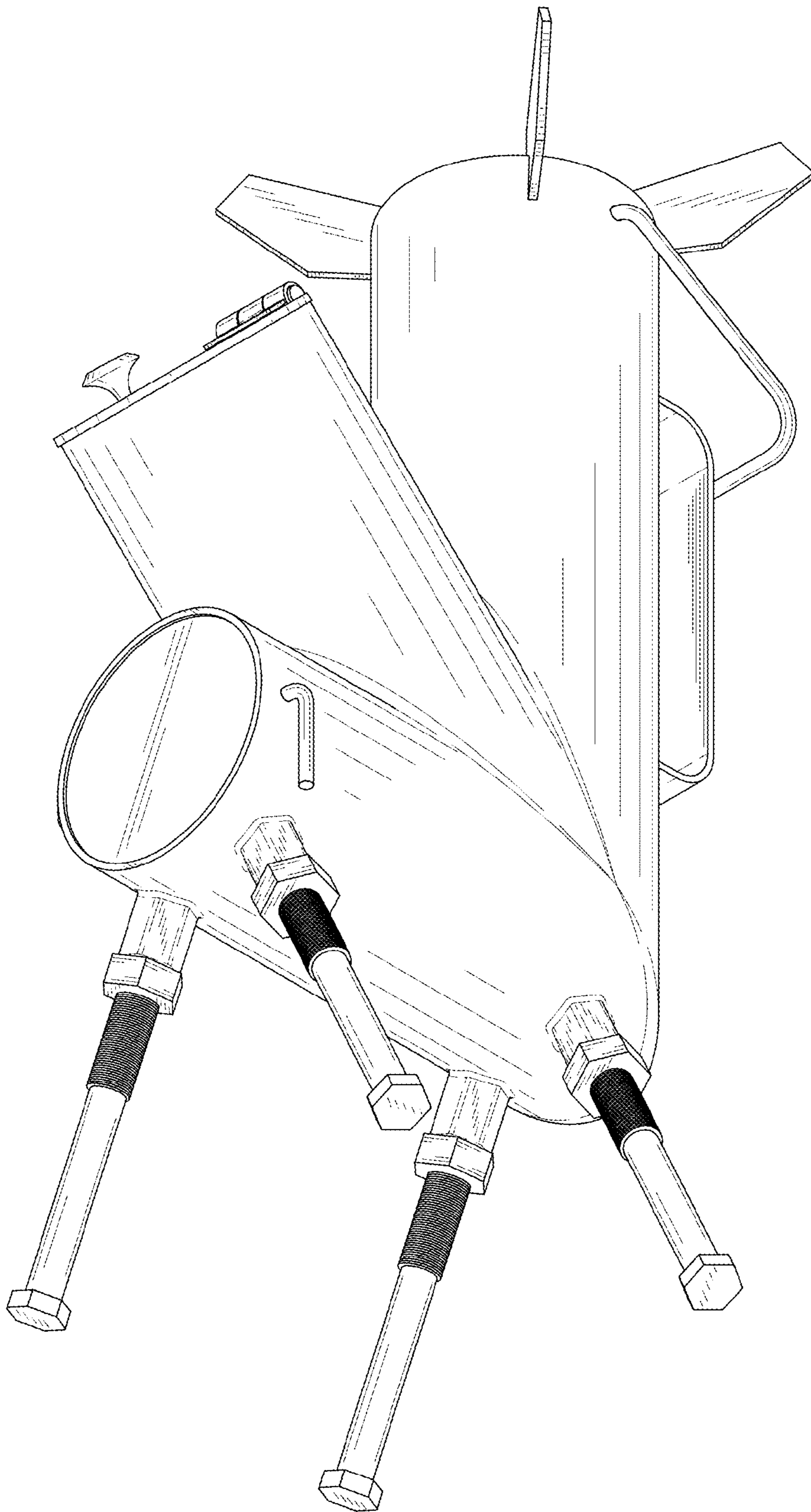


FIG. 2

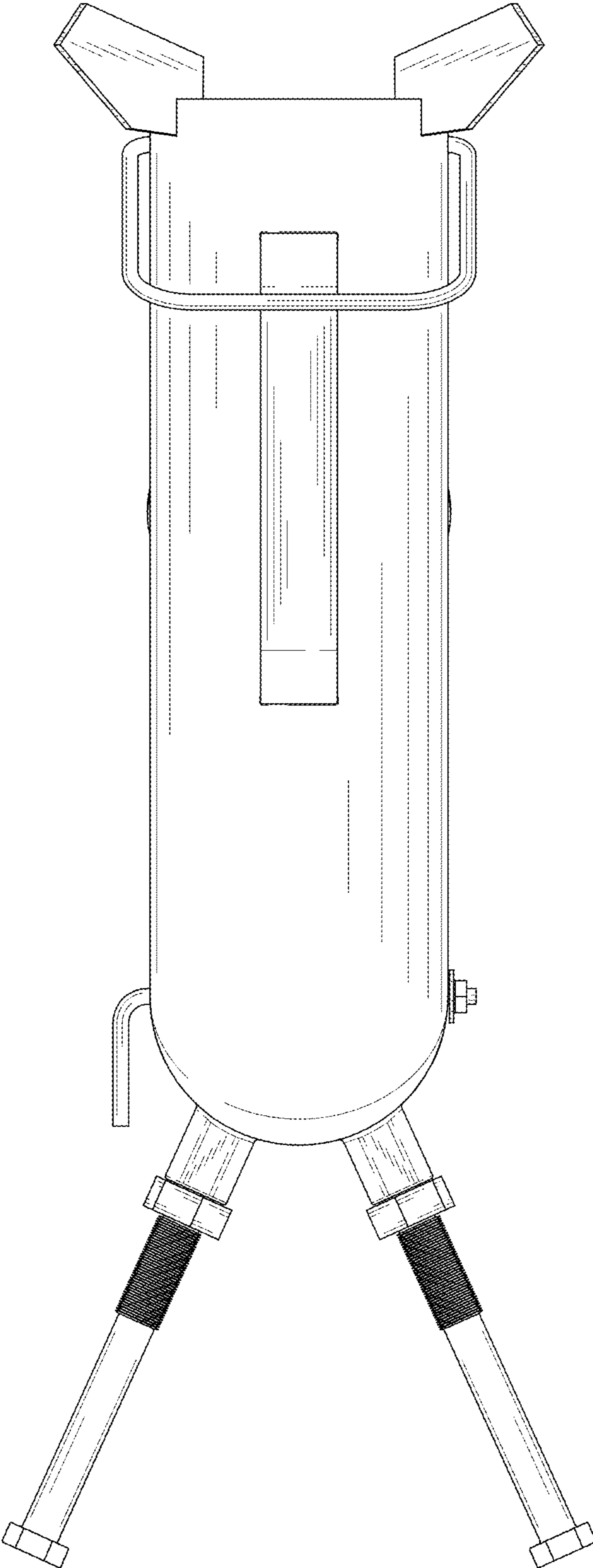


FIG. 3

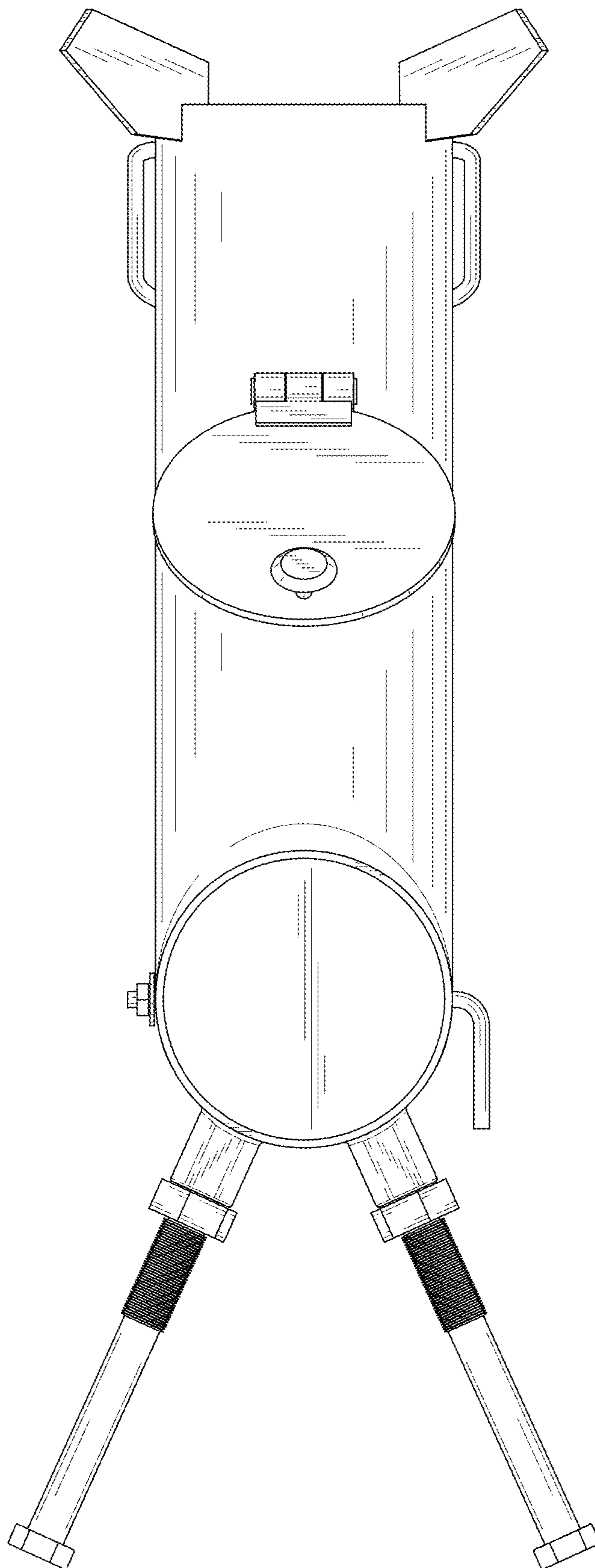


FIG. 4

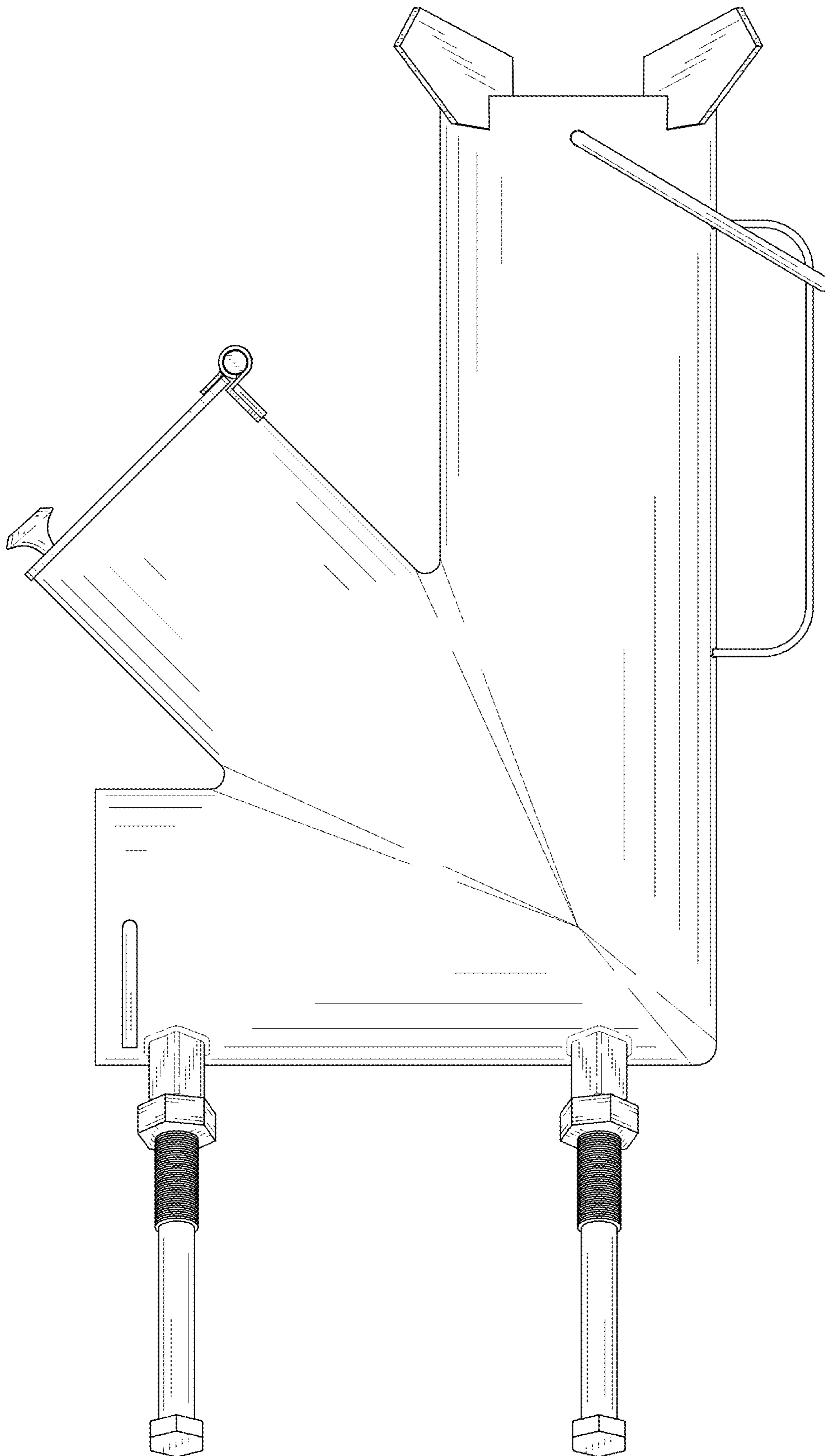


FIG. 5

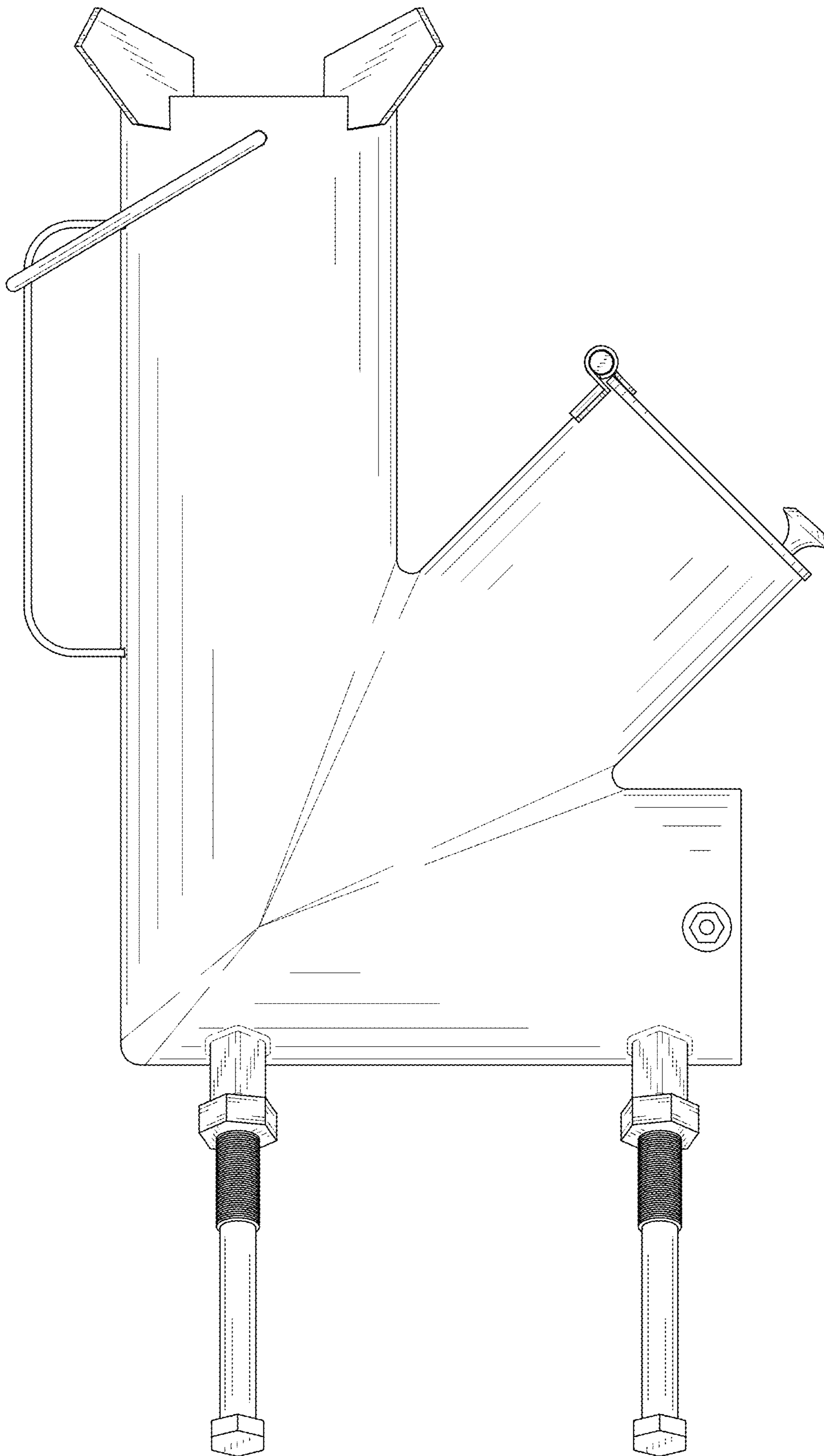


FIG. 6

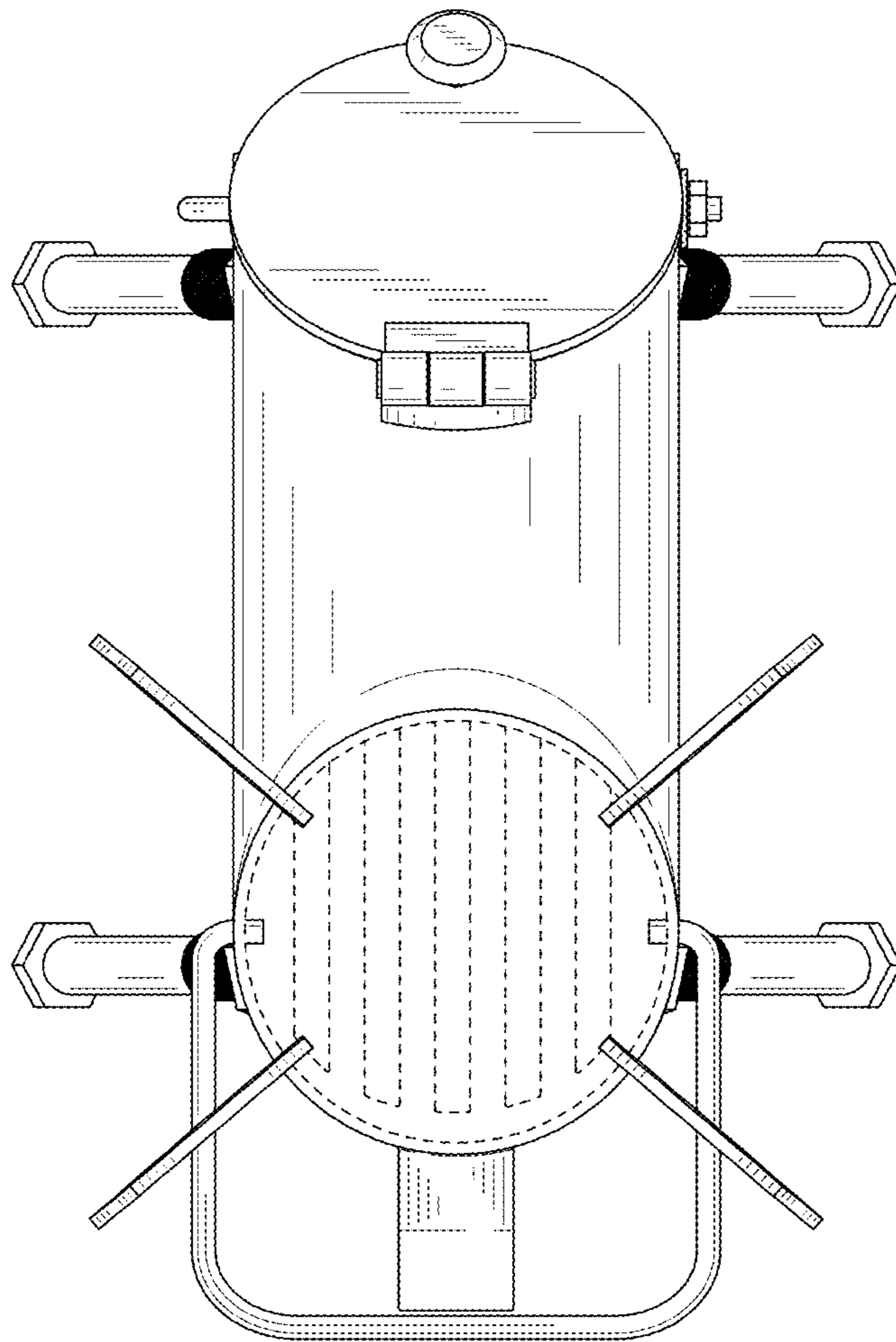


FIG. 7

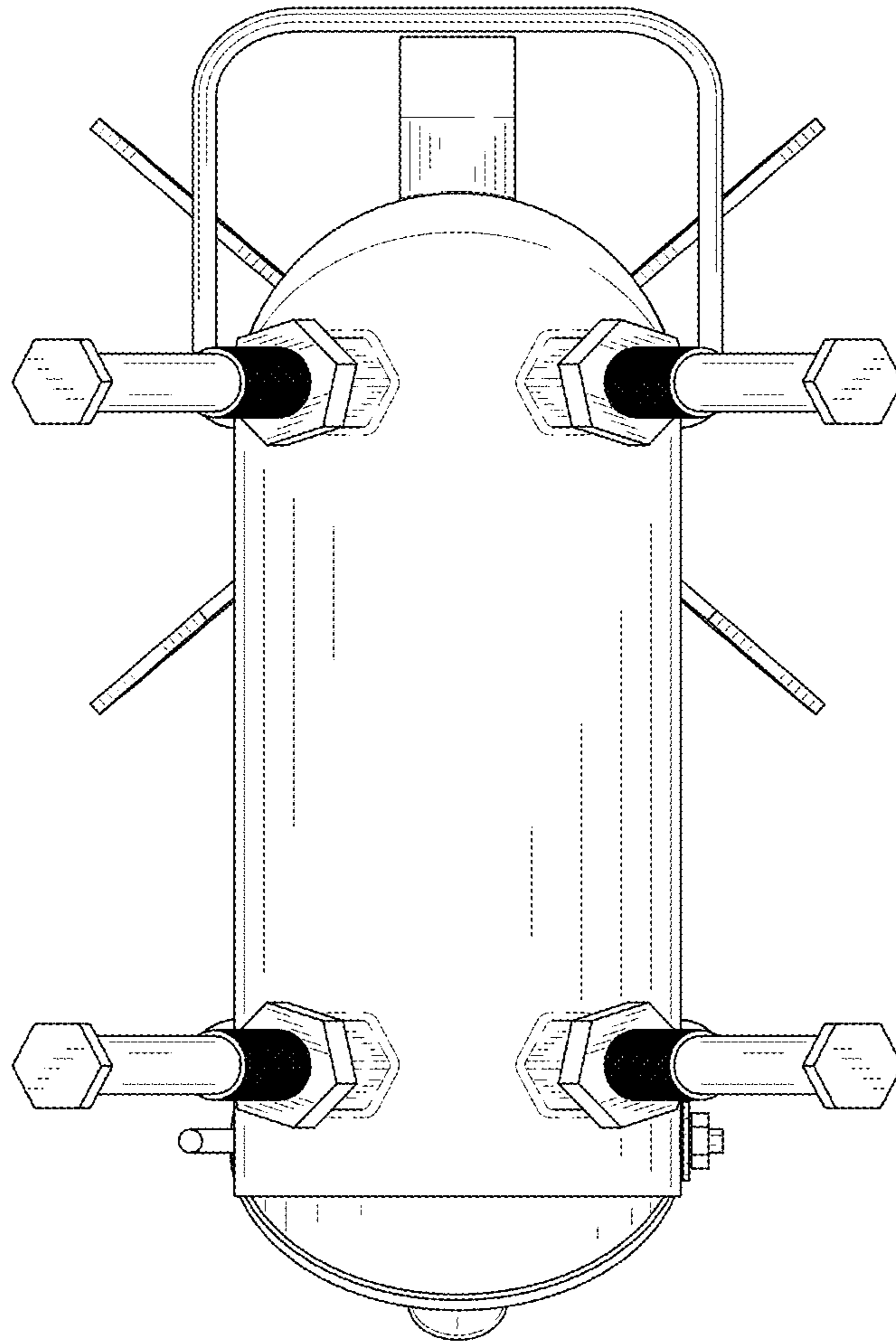


FIG. 8

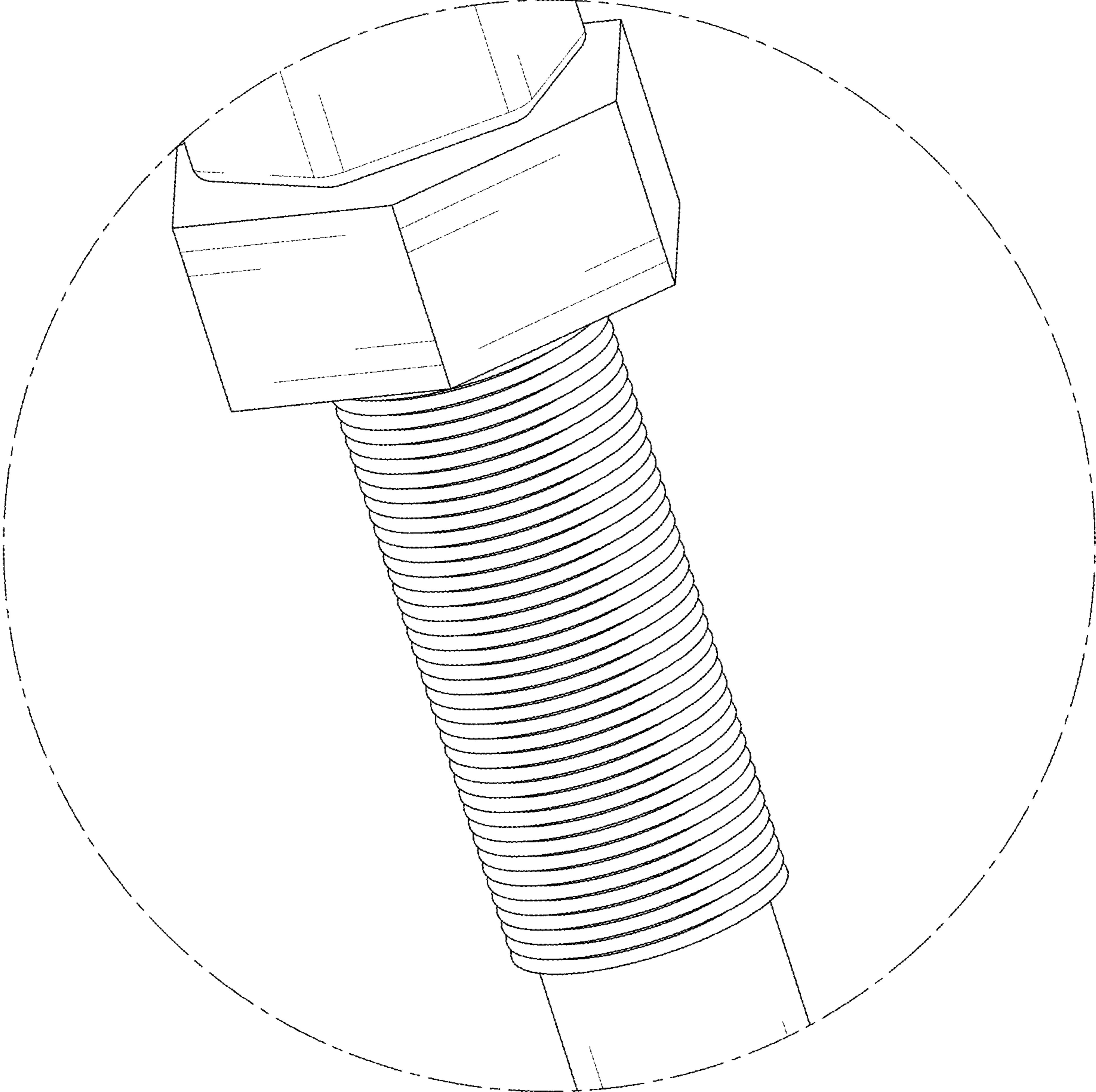


FIG. 9

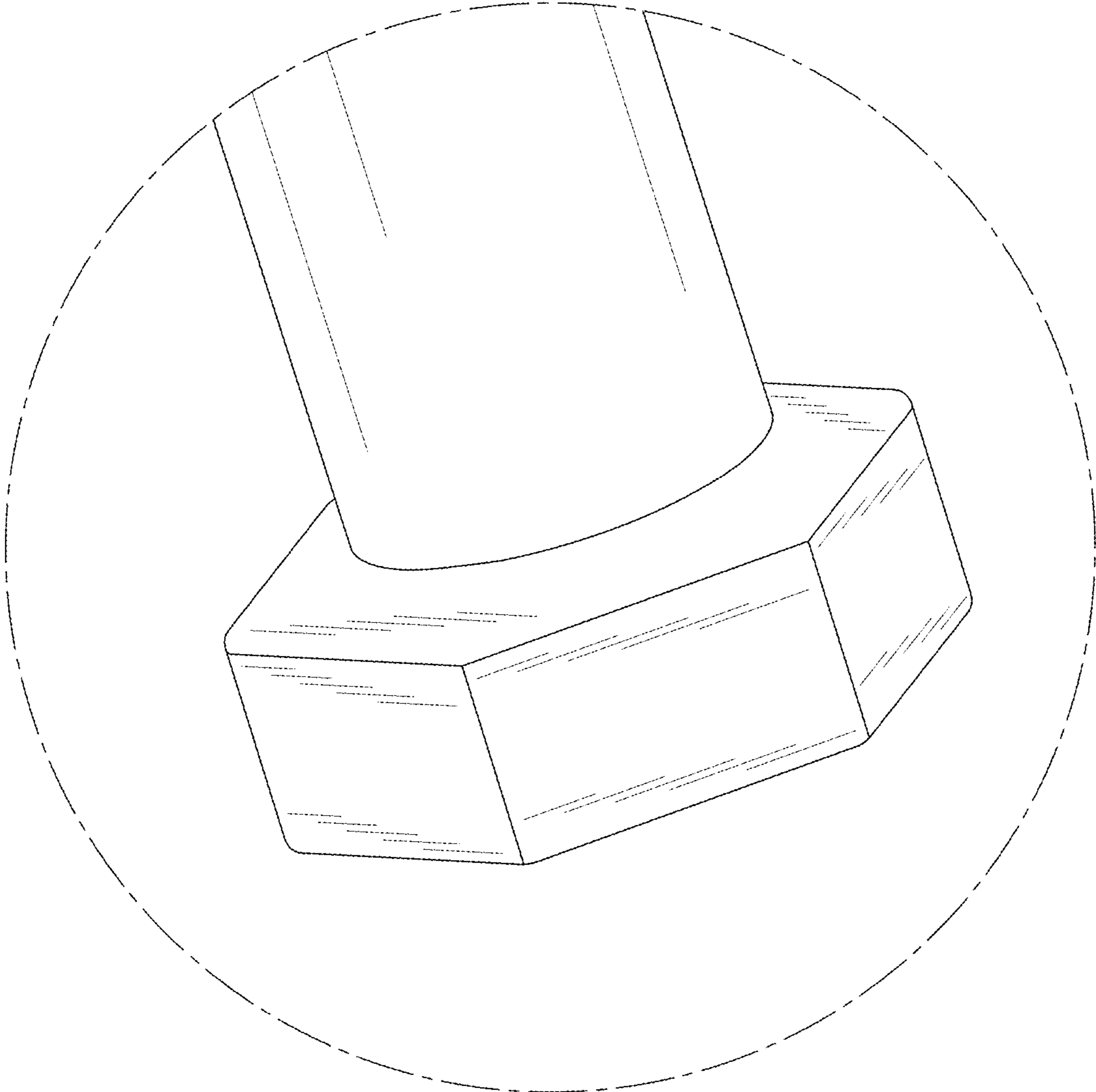


FIG. 10