



US00D963392S

(12) **United States Design Patent** (10) **Patent No.:** **US D963,392 S**
Seo et al. (45) **Date of Patent:** **** Sep. 13, 2022**

(54) **ELECTRIC KETTLE**
(71) Applicant: **LG ELECTRONICS INC.**, Seoul (KR)

D498,638 S * 11/2004 Morrison A47J 27/2105 D7/319
D545,111 S * 6/2007 Brown D7/317
D554,425 S * 11/2007 Schwamkrug D7/317
(Continued)

(72) Inventors: **Woonkyu Seo**, Seoul (KR); **Miyoung Kim**, Seoul (KR); **Hyun Choi**, Seoul (KR); **Hyeonjeong An**, Seoul (KR)

FOREIGN PATENT DOCUMENTS

(73) Assignee: **LG ELECTRONICS INC.**, Seoul (KR)

CN 302090037 * 9/2012
CN 306418595 * 3/2021
(Continued)

(**) Term: **15 Years**

OTHER PUBLICATIONS

(21) Appl. No.: **29/725,996**

“John Lewis & Partners Simplicity Electric Kettle,” Reviewed with a photo May 15, 2019, John Lewis & Partners, www.johnlewis.com/john-lewis-partners-simplicity-electric-kettle/p5295568 (Year: 2019).*

(22) Filed: **Feb. 28, 2020**

(30) **Foreign Application Priority Data**

Feb. 21, 2020 (KR) 30-2020-0007889

(51) **LOC (13) Cl.** **07-01**

(52) **U.S. Cl.**
USPC **D7/318; D7/317**

(58) **Field of Classification Search**
USPC D3/202; D7/300, 302, 305, 312, D7/316–319, 321, 322, 376–378, 392, D7/392.1, 394, 396.2, 413, 415, 511, 534, D7/548, 608, 619.1, 622, 629; D9/443, D9/527; D10/46.2

CPC A47G 19/2261; A47G 19/2272; A47G 19/2288; A47J 2202/00; A47J 2203/00; A47J 27/21041; A47J 27/2105; A47J 27/21083; A47J 27/21175; A47J 27/212

See application file for complete search history.

Primary Examiner — Joseph Kukella

Assistant Examiner — Arva P Adams

(74) *Attorney, Agent, or Firm* — Birch, Stewart, Kolasch & Birch, LLP

(57) **CLAIM**

The ornamental design for an electric kettle, as shown and described.

DESCRIPTION

FIG. 1 is a front, right side, perspective view of an electric kettle showing our new design.
FIG. 2 is a front view thereof;
FIG. 3 is a rear view thereof;
FIG. 4 is a left side view thereof;
FIG. 5 is a right side view thereof;
FIG. 6 is a top view thereof;
FIG. 7 is a bottom view thereof; and,
FIG. 8 is another perspective view thereof in a state of use.
The broken lines indicate portions of the article that form no part of the claimed design.

(56) **References Cited**

U.S. PATENT DOCUMENTS

D367,580 S * 3/1996 Joergensen D7/317
D475,233 S * 6/2003 De Visser D7/317
D498,384 S * 11/2004 McWilliam A47J 27/21066 D7/319

1 Claim, 7 Drawing Sheets

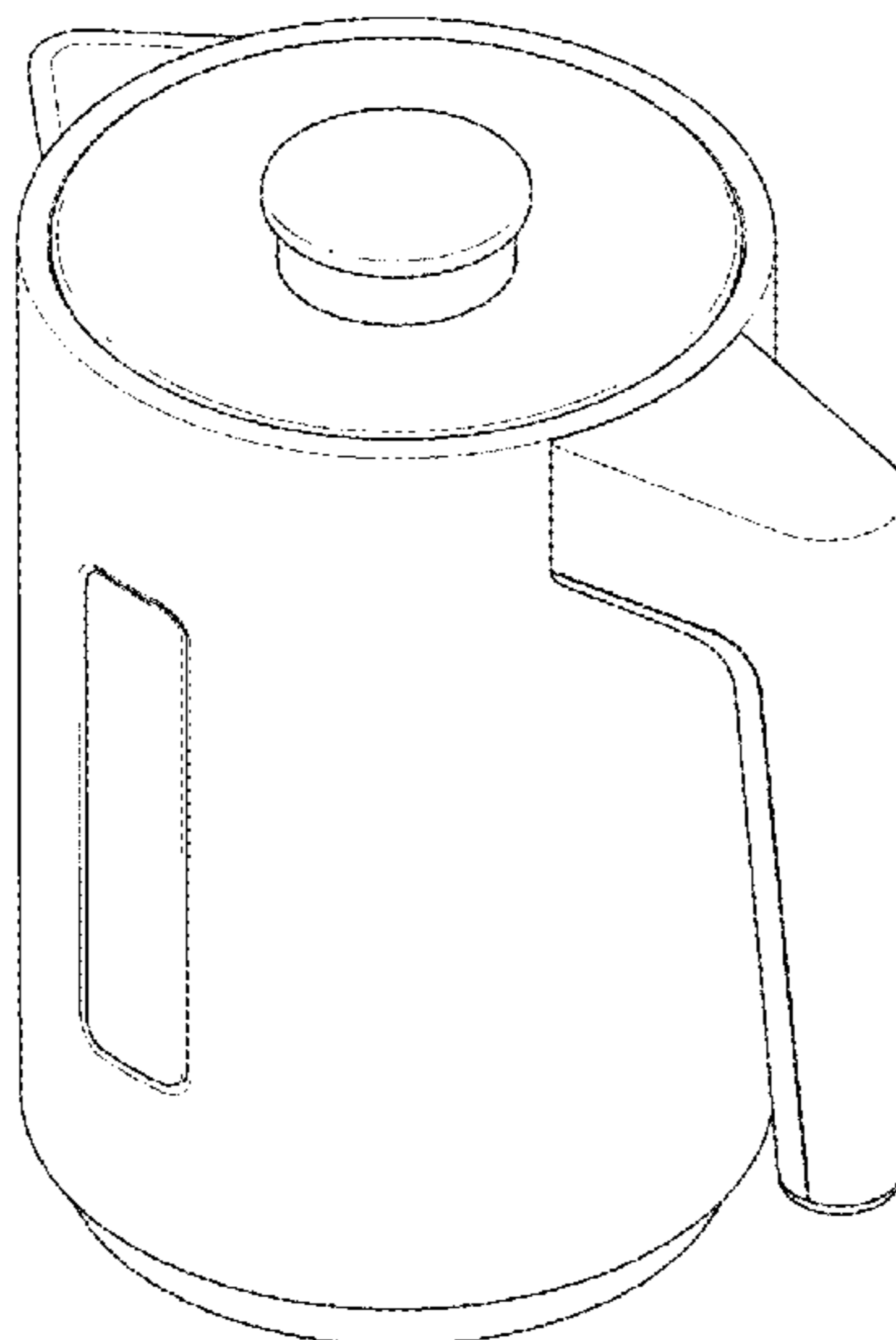


FIG. 1

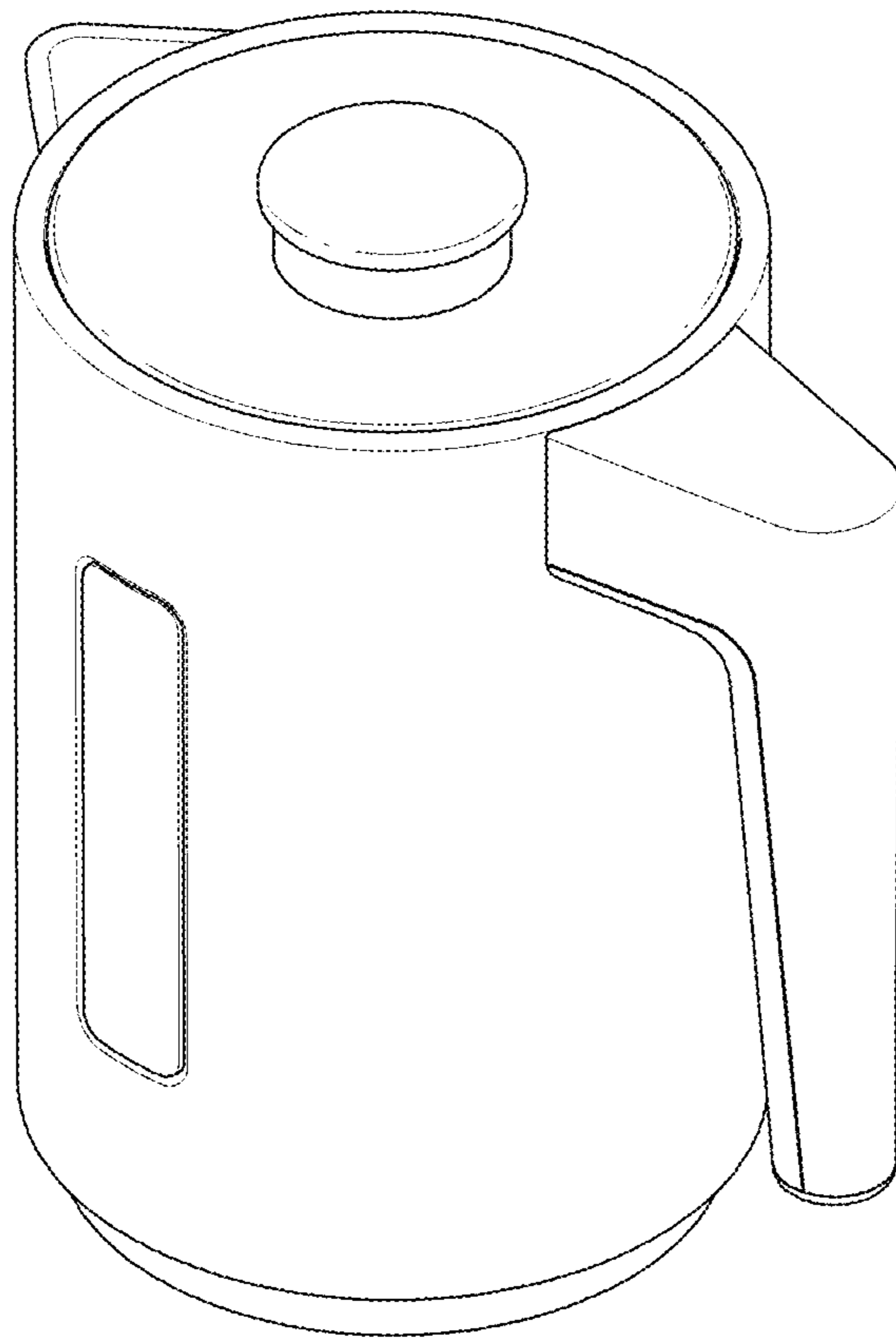


FIG. 2

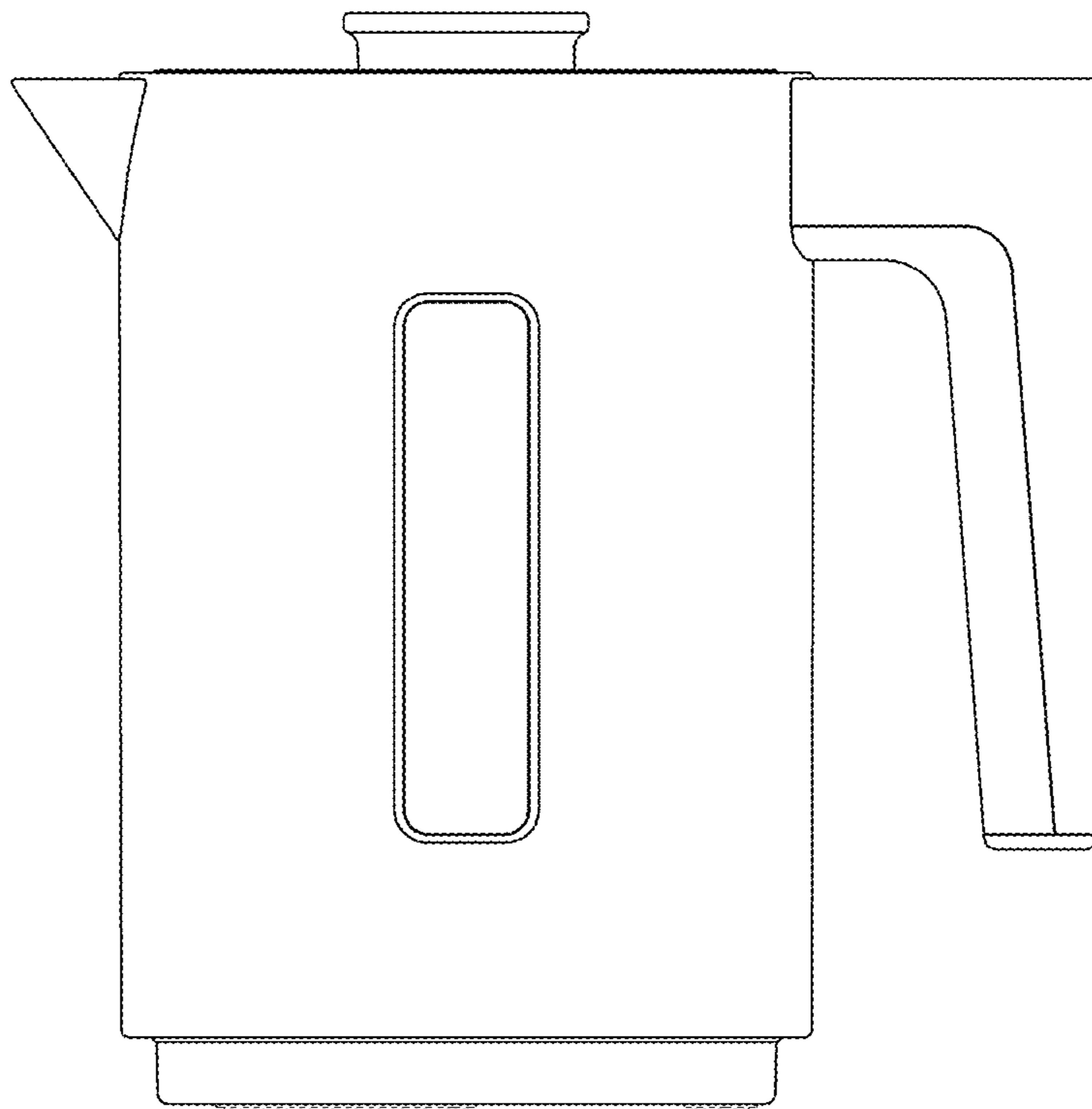


FIG. 3

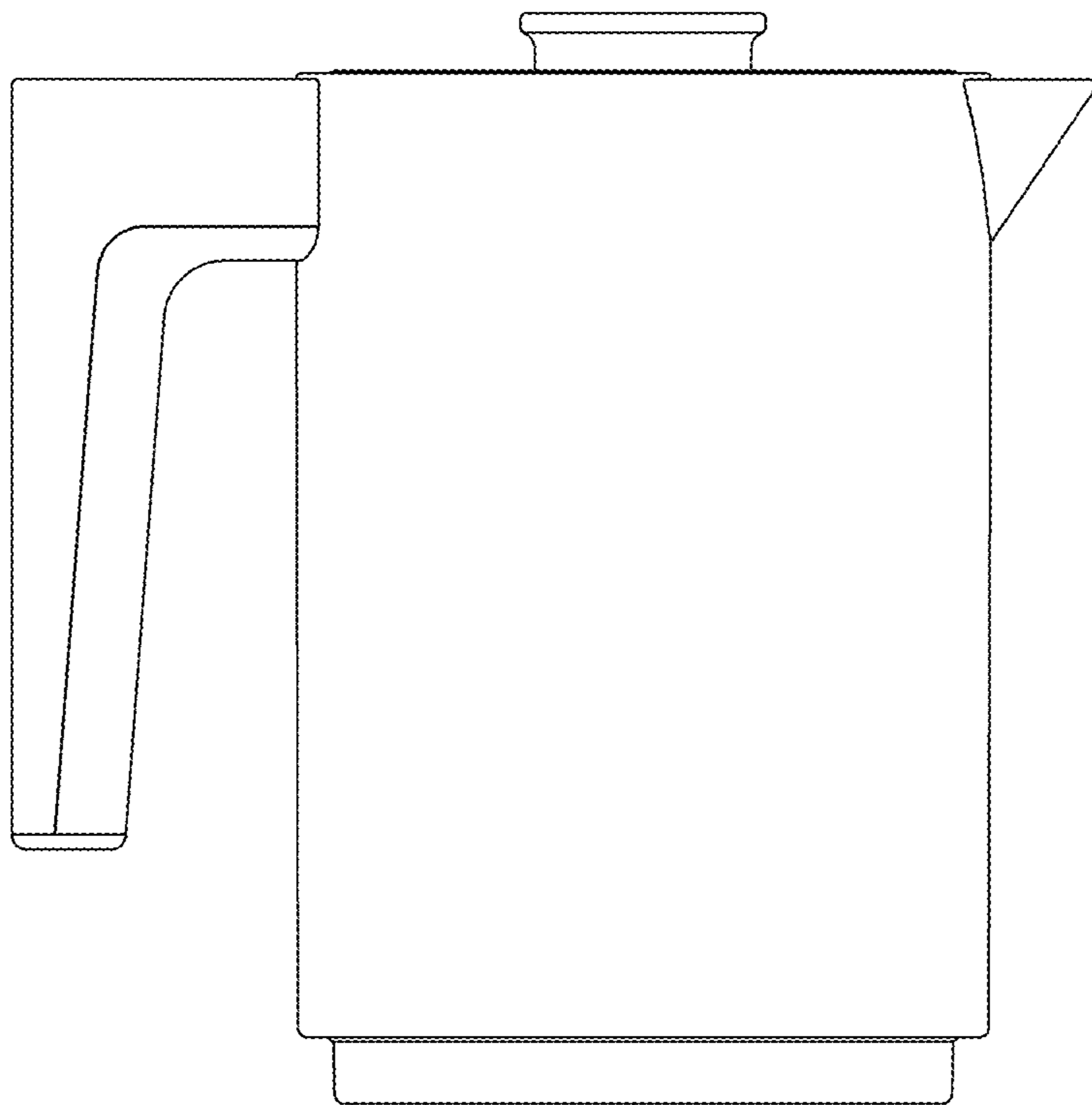


FIG. 4

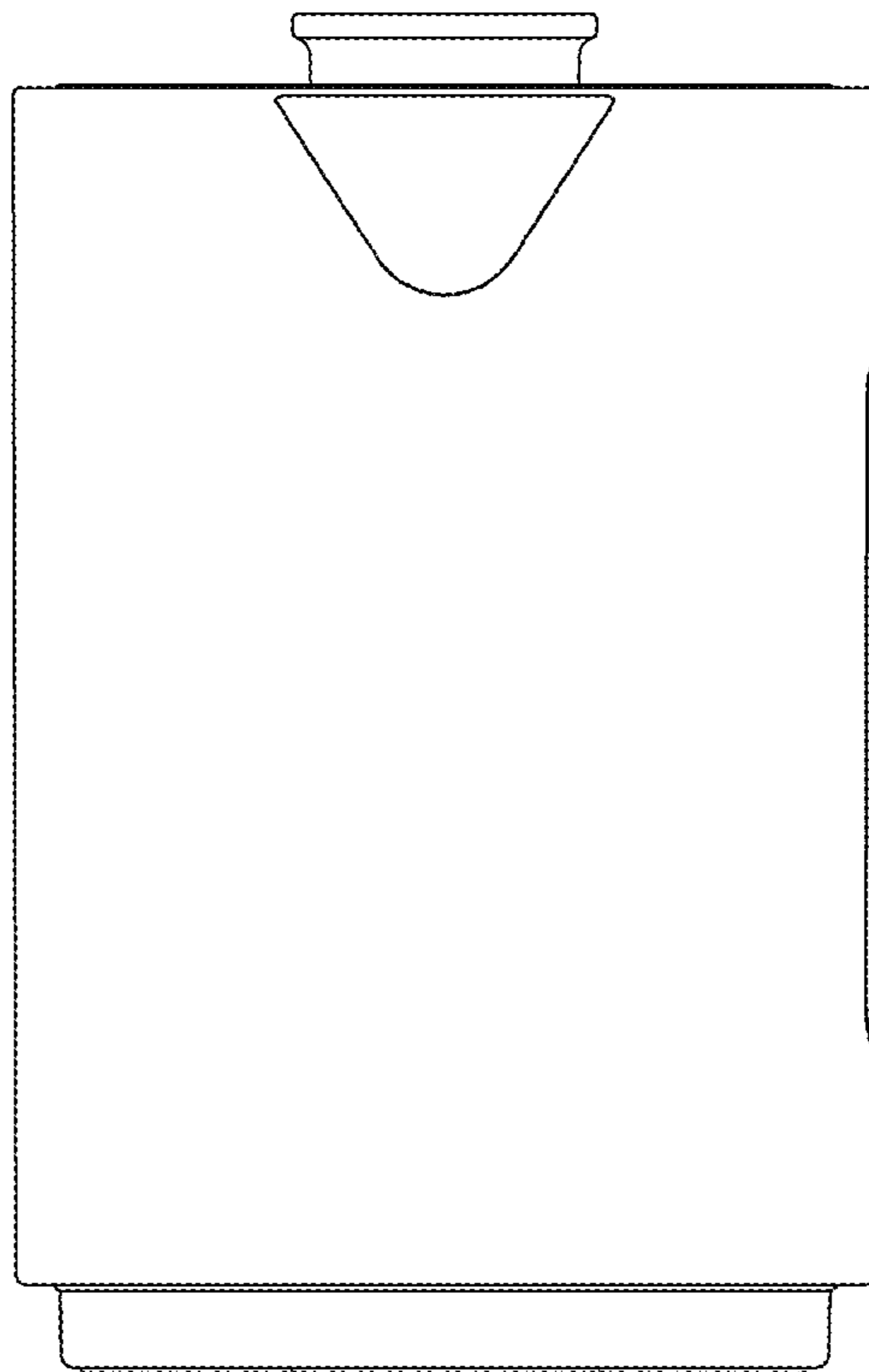


FIG. 5

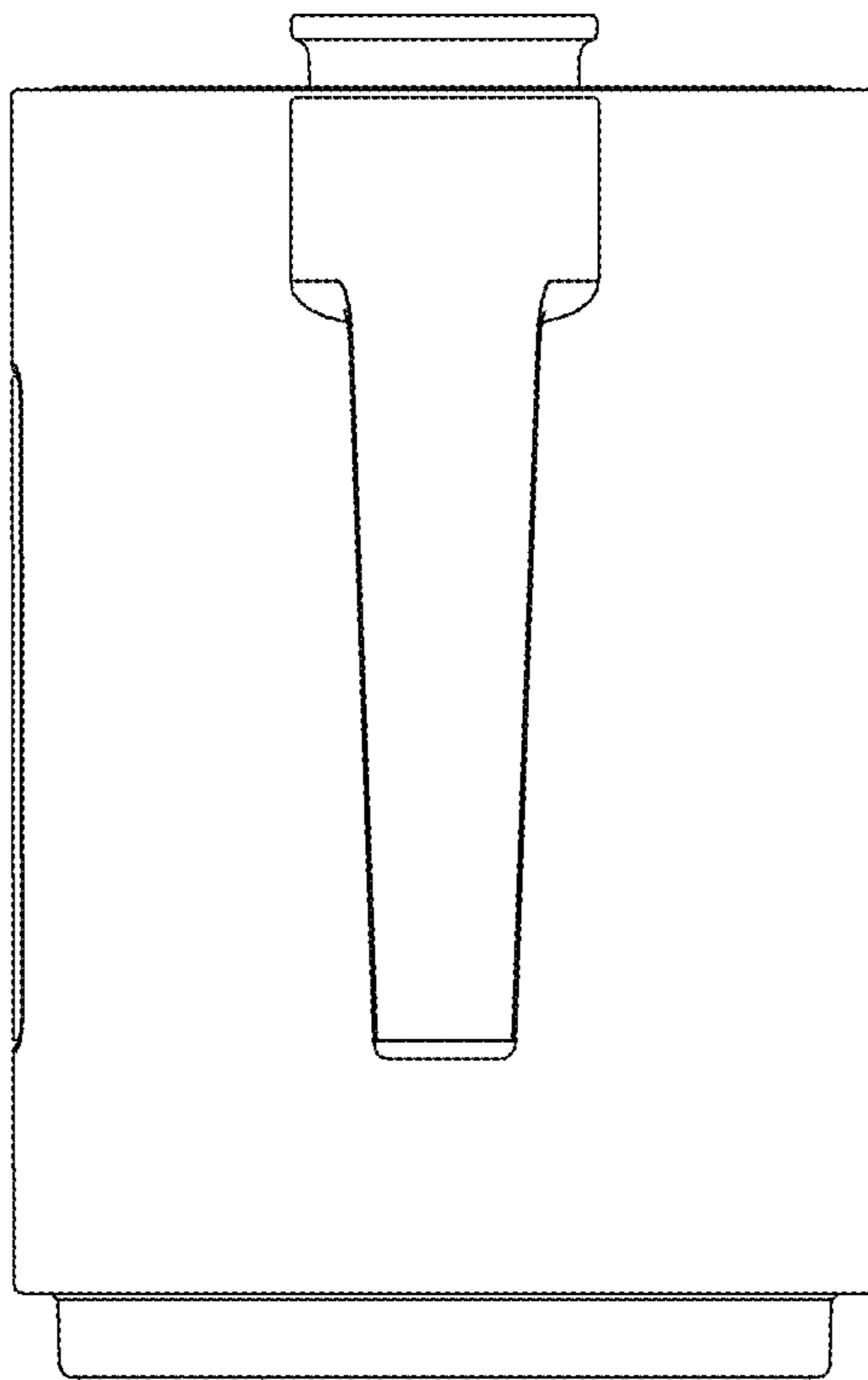


FIG. 6

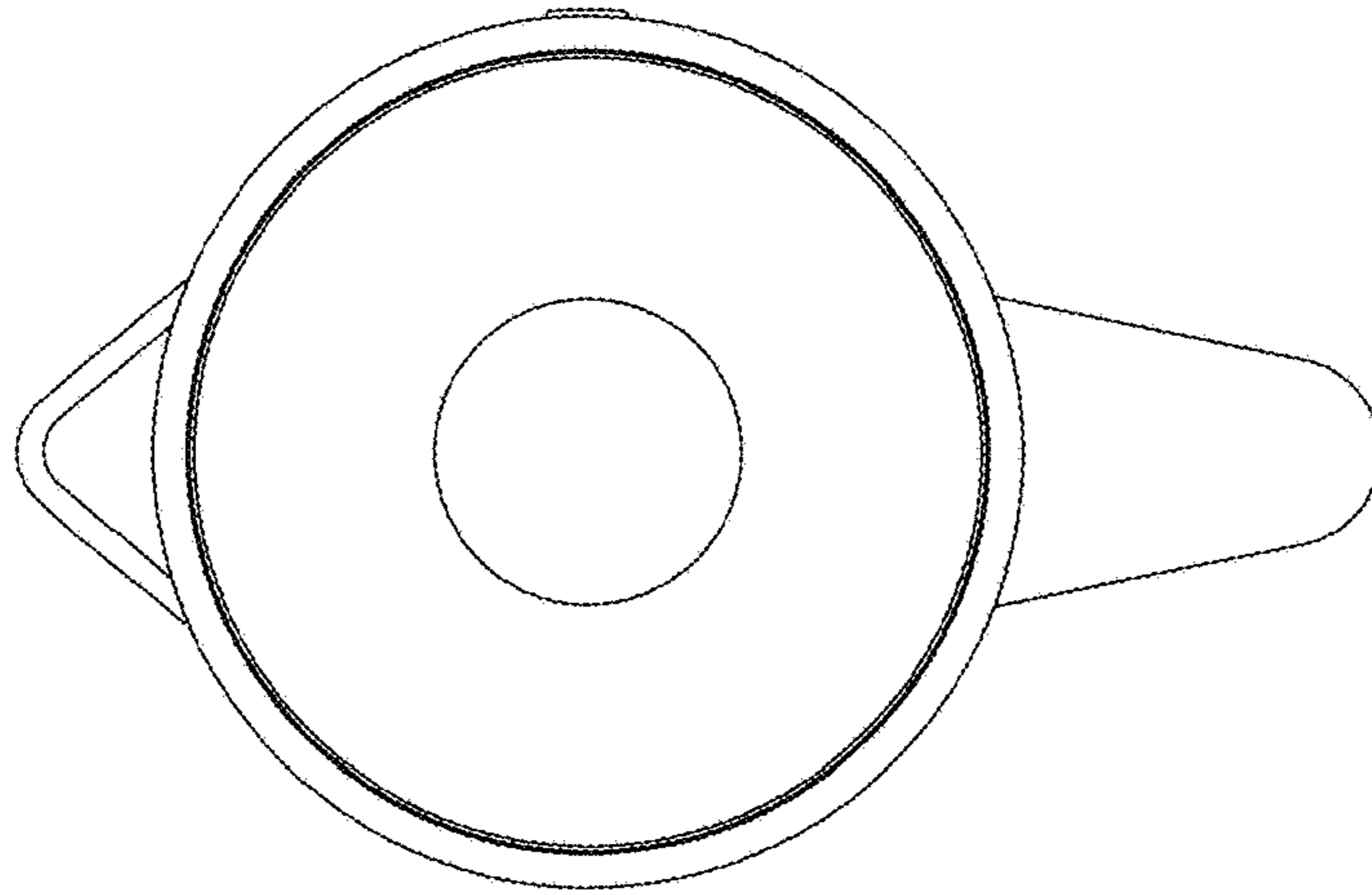


FIG. 7

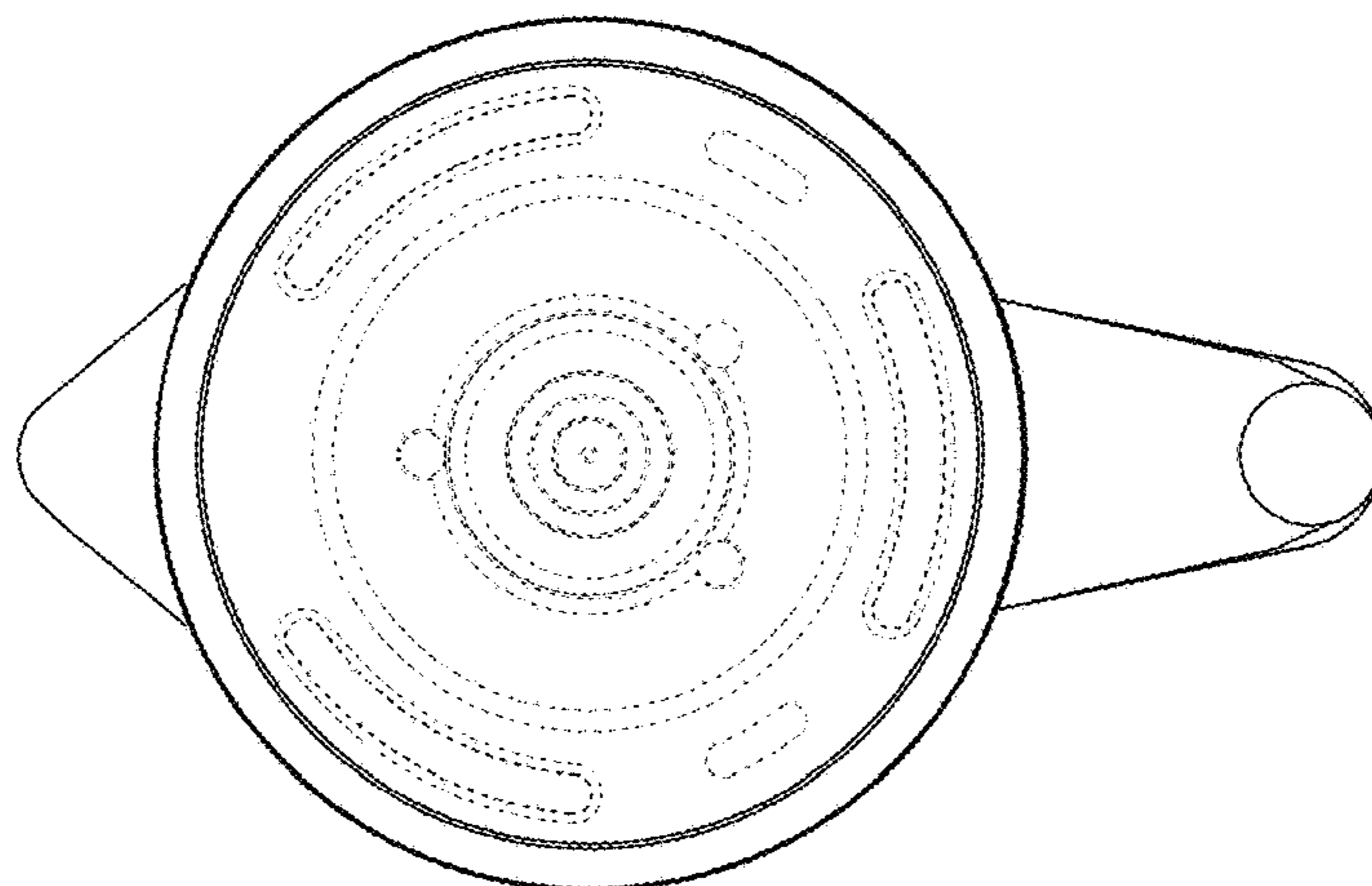


FIG. 8

