



US00D963390S

(12) **United States Design Patent** (10) **Patent No.:** **US D963,390 S**
Liao (45) **Date of Patent:** **** Sep. 13, 2022**

(54) **PORTABLE BEVERAGE DISPENSER**

D859,904 S * 9/2019 Mitlyng B67D 3/0083
D7/311

(71) Applicant: **Jiping Liao**, Hunan (CN)

D863,856 S * 10/2019 Webster D7/307

D925,961 S * 7/2021 Long D7/308

(72) Inventor: **Jiping Liao**, Hunan (CN)

2012/0067921 A1 * 3/2012 Shippen B67D 3/0083
222/144

(**) Term: **15 Years**

OTHER PUBLICATIONS

(21) Appl. No.: **29/758,712**

FuChlpnTco Shot Buddy Dispenser | posted at Amazon.com, posted on Nov. 11, 2020 © 1996-2022 Amazon.com, [online], [site visited Mar. 21, 2022]. Available from Internet, <URL: <https://www.amazon.com/dp/B08NTFKKZY/>> (Year: 2020).*

(22) Filed: **Nov. 18, 2020**

(51) **LOC (13) Cl.** **07-01**

(52) **U.S. Cl.**

USPC **D7/308**

(58) **Field of Classification Search**

USPC D7/300, 305, 306, 307, 308, 311, 312,
D7/315, 589; D10/46; D24/216, 219

CPC A47J 31/40; A47J 31/402; B67D 3/00;
B67D 3/008; B67D 3/0083; B67D
3/0029; B67D 3/0032

See application file for complete search history.

* cited by examiner

Primary Examiner — Andrew Kerr

(57) **CLAIM**

The ornamental design for a portable beverage dispenser, as shown and described.

(56) **References Cited**

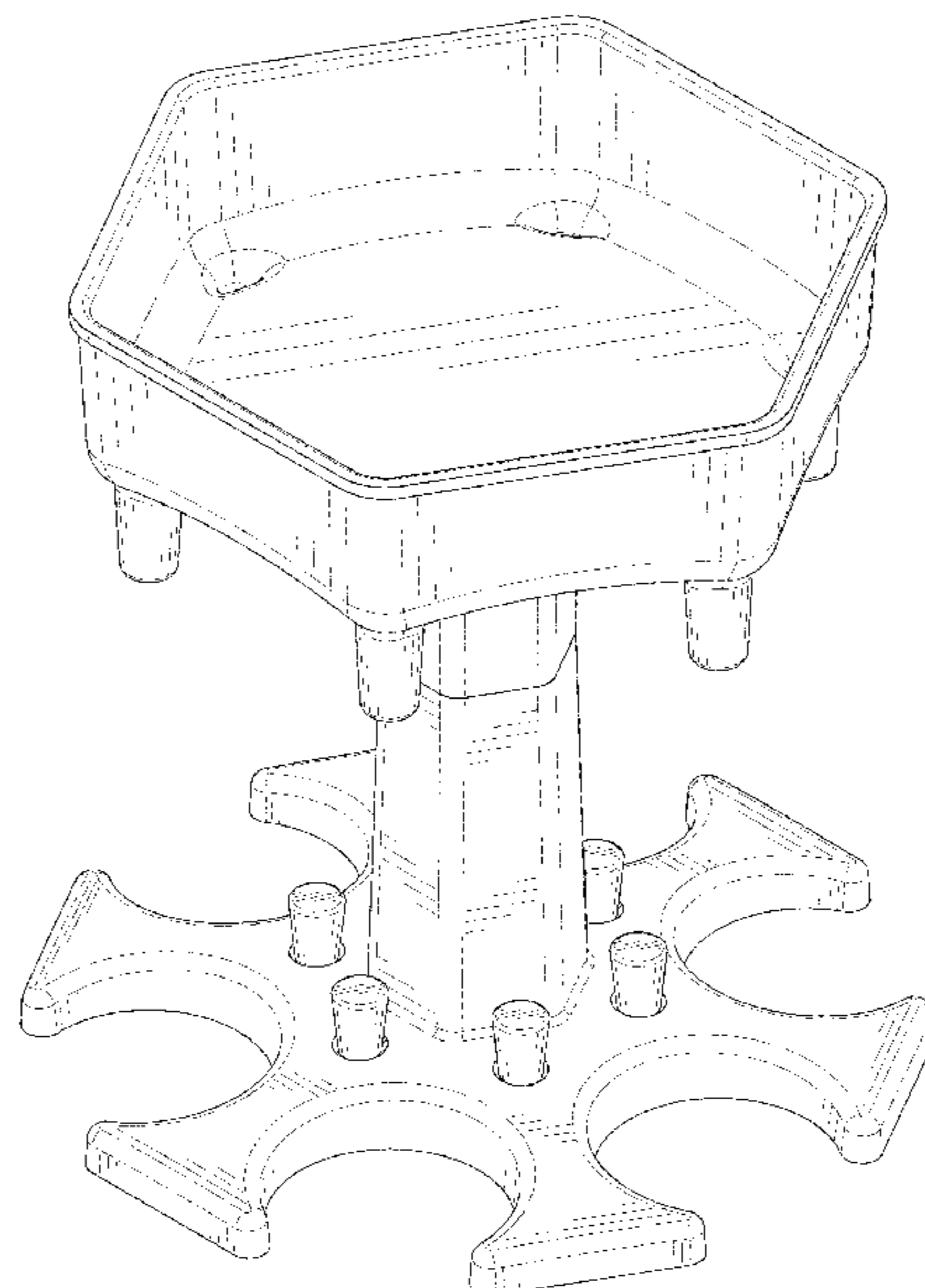
U.S. PATENT DOCUMENTS

- 3,718,234 A * 2/1973 Bagguley B65D 83/20
D7/308
- D372,625 S * 8/1996 Forsen B67D 3/0083
D7/307
- 5,890,629 A * 4/1999 Loew B67D 3/0035
222/144.5
- D476,855 S * 7/2003 Green B67D 3/0035
D7/589
- D581,218 S * 11/2008 Green D7/589
- D616,707 S * 6/2010 Gold D7/589
- D805,828 S * 12/2017 Merali D7/307
- D847,552 S * 5/2019 Bock-Aronson B67D 3/0035
D7/311
- D850,840 S * 6/2019 Rupp B67D 3/0035
D7/307
- D850,841 S * 6/2019 Rupp B67D 3/0035
D7/307

DESCRIPTION

FIG. 1 is a front and top perspective view of a portable beverage dispenser, showing my new design; FIG. 2 is a rear and bottom perspective view thereof; FIG. 3 is a front elevational view thereof; FIG. 4 is a rear elevational view thereof; FIG. 5 is a left side elevational view thereof; FIG. 6 is a right side elevational view thereof; FIG. 7 is a top plan view thereof; and, FIG. 8 is a bottom plan view thereof. The broken lines in the figures illustrate portions of the portable beverage dispenser that form no part of the claimed design.

1 Claim, 8 Drawing Sheets



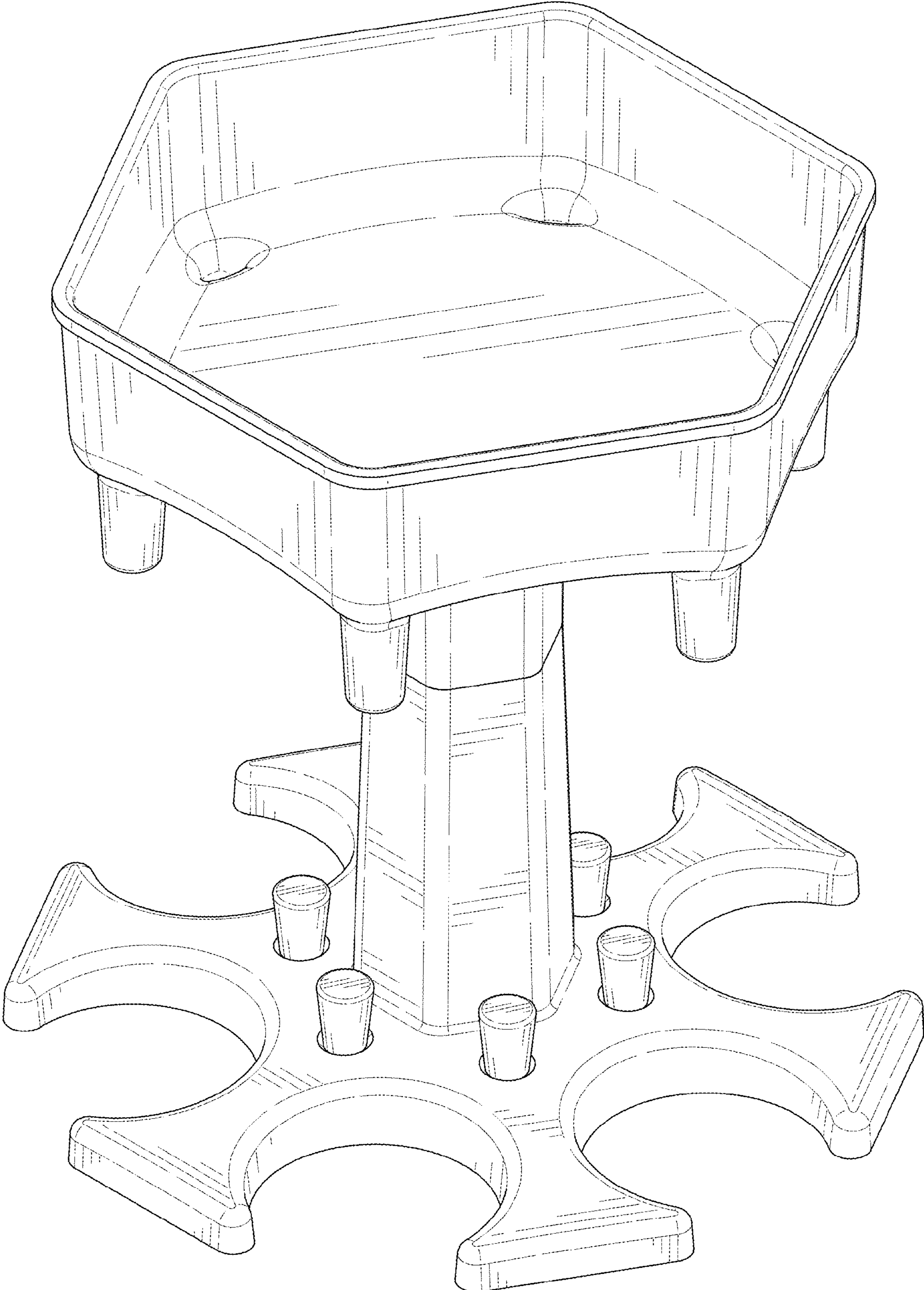


FIG. 1

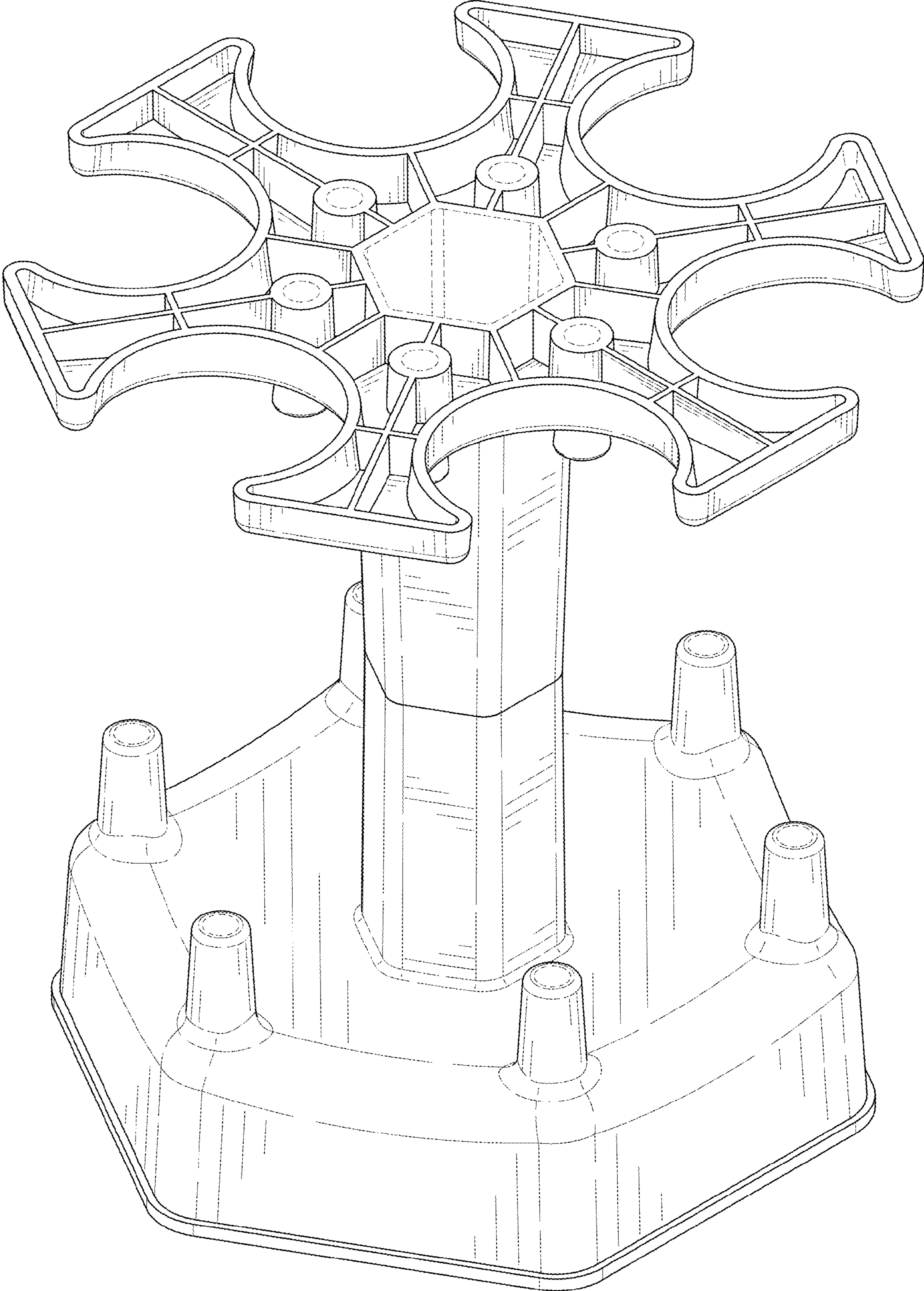


FIG. 2

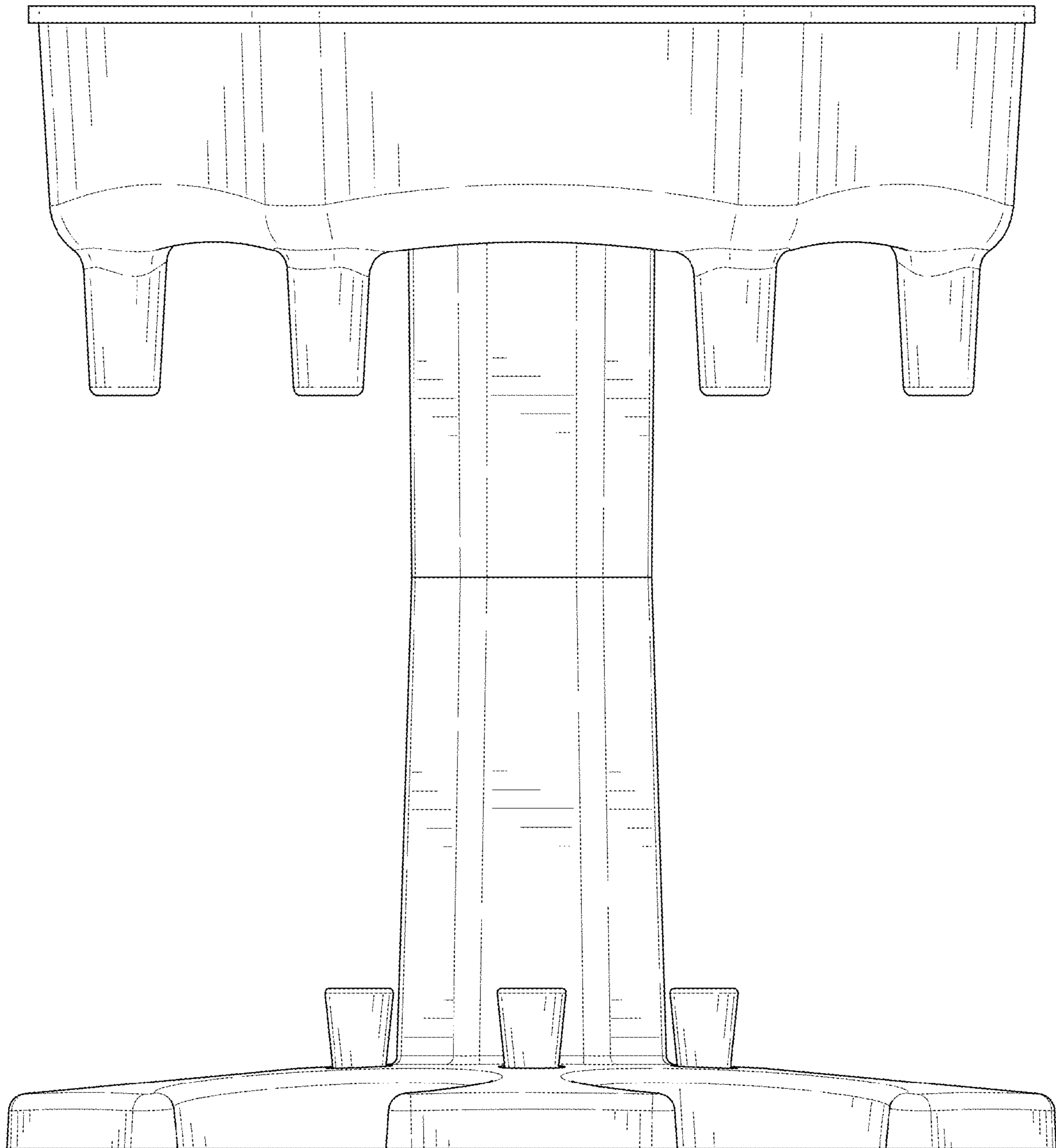


FIG. 3

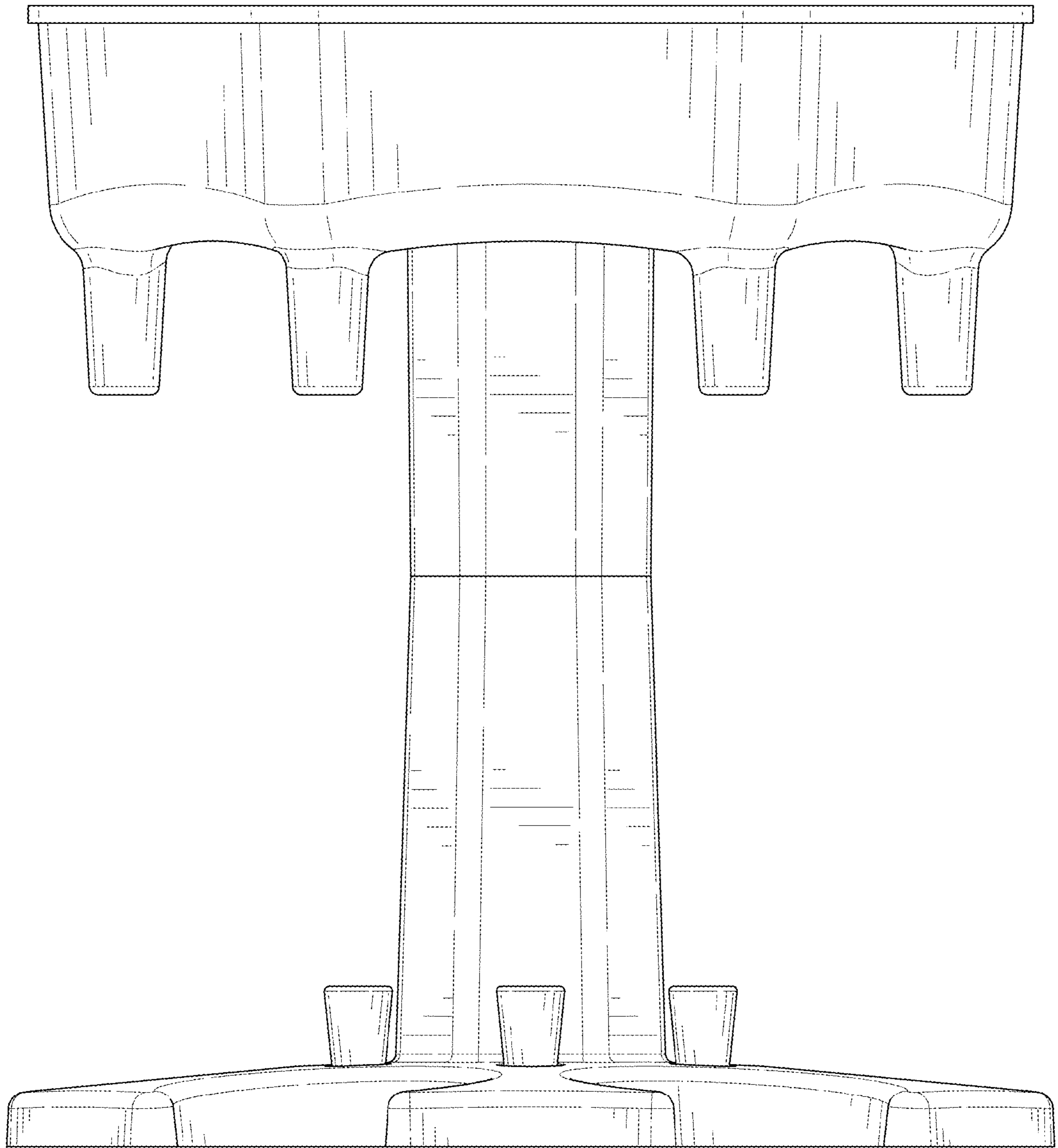


FIG. 4

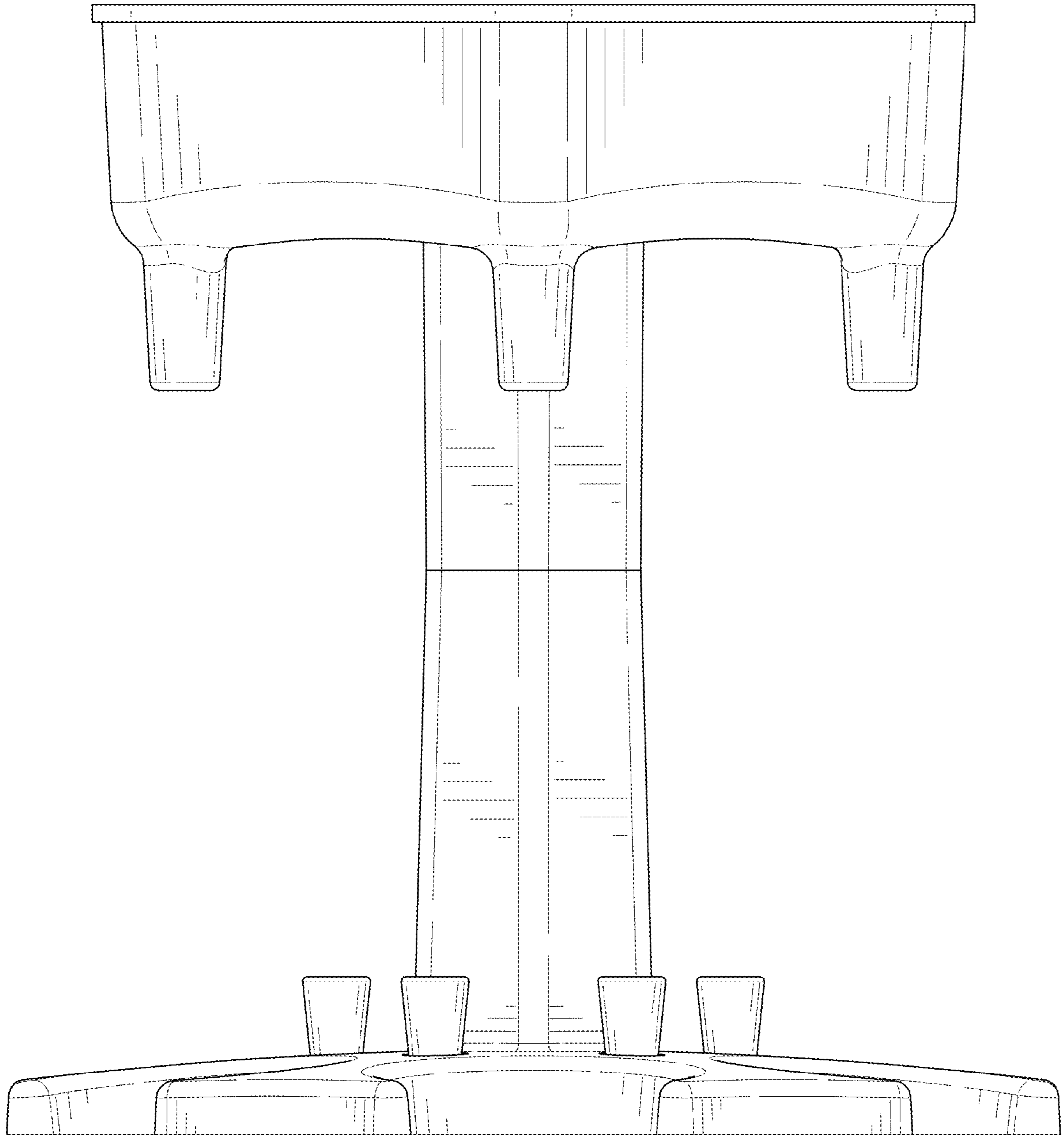


FIG. 5

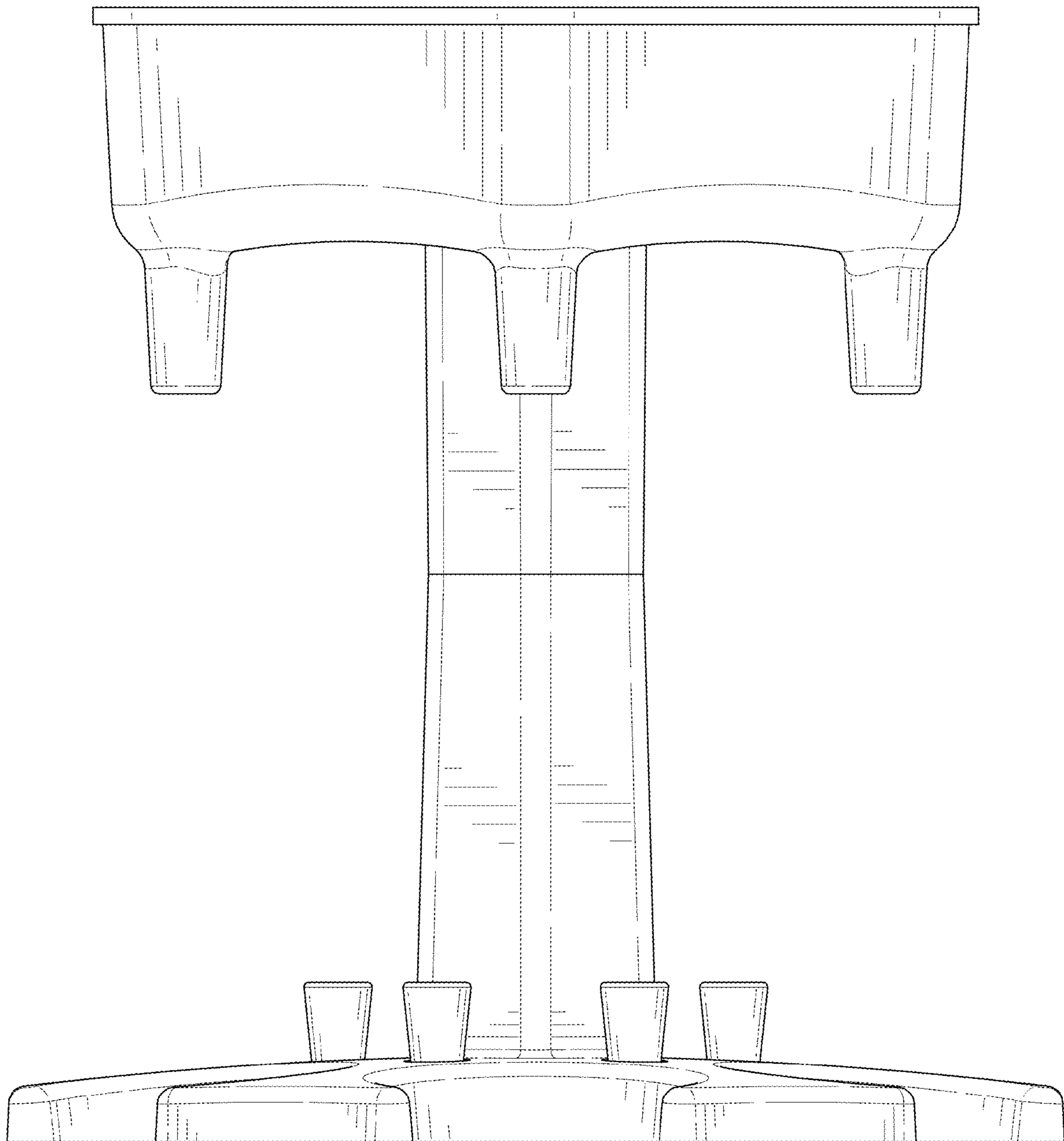


FIG. 6

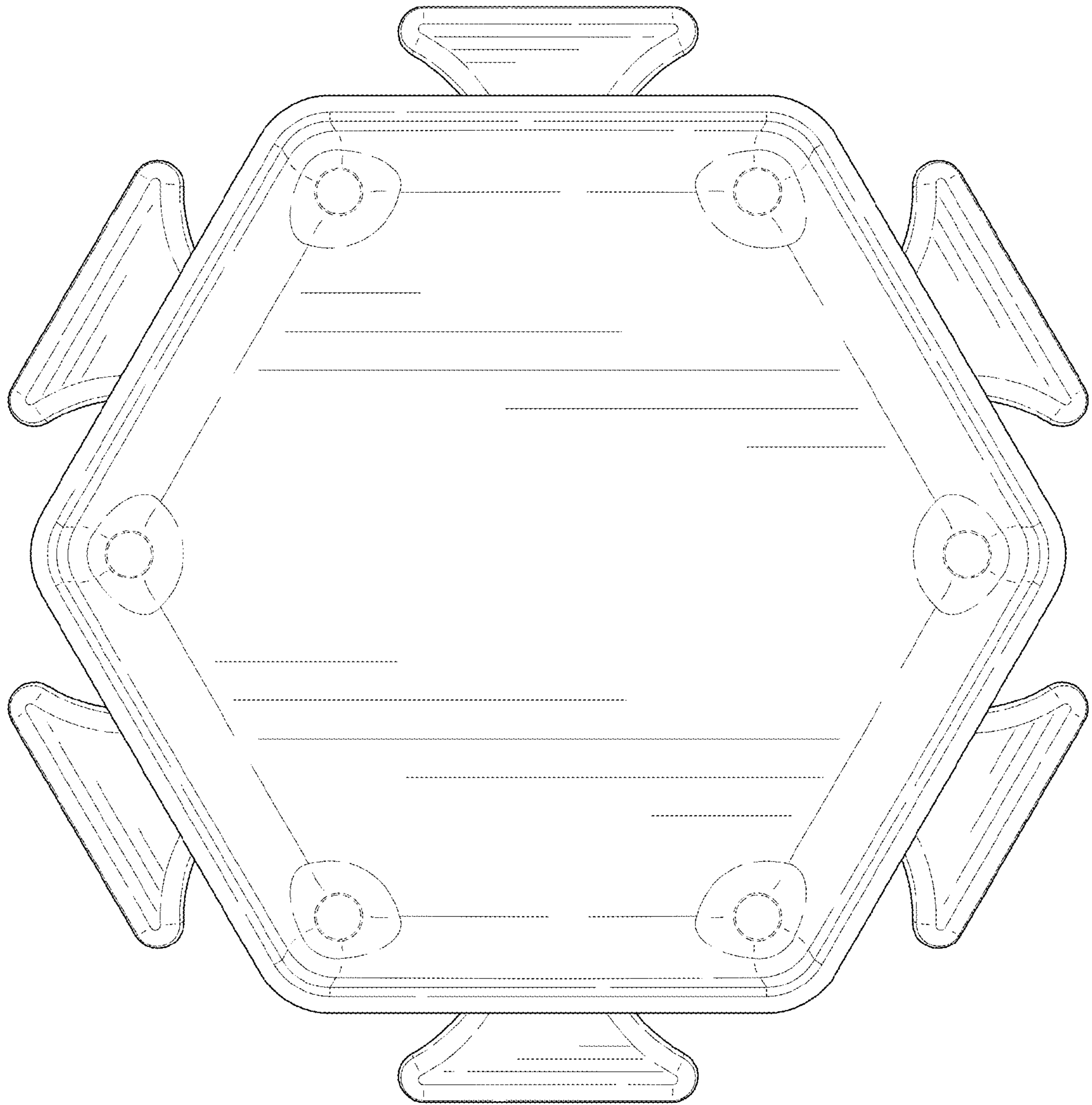


FIG. 7

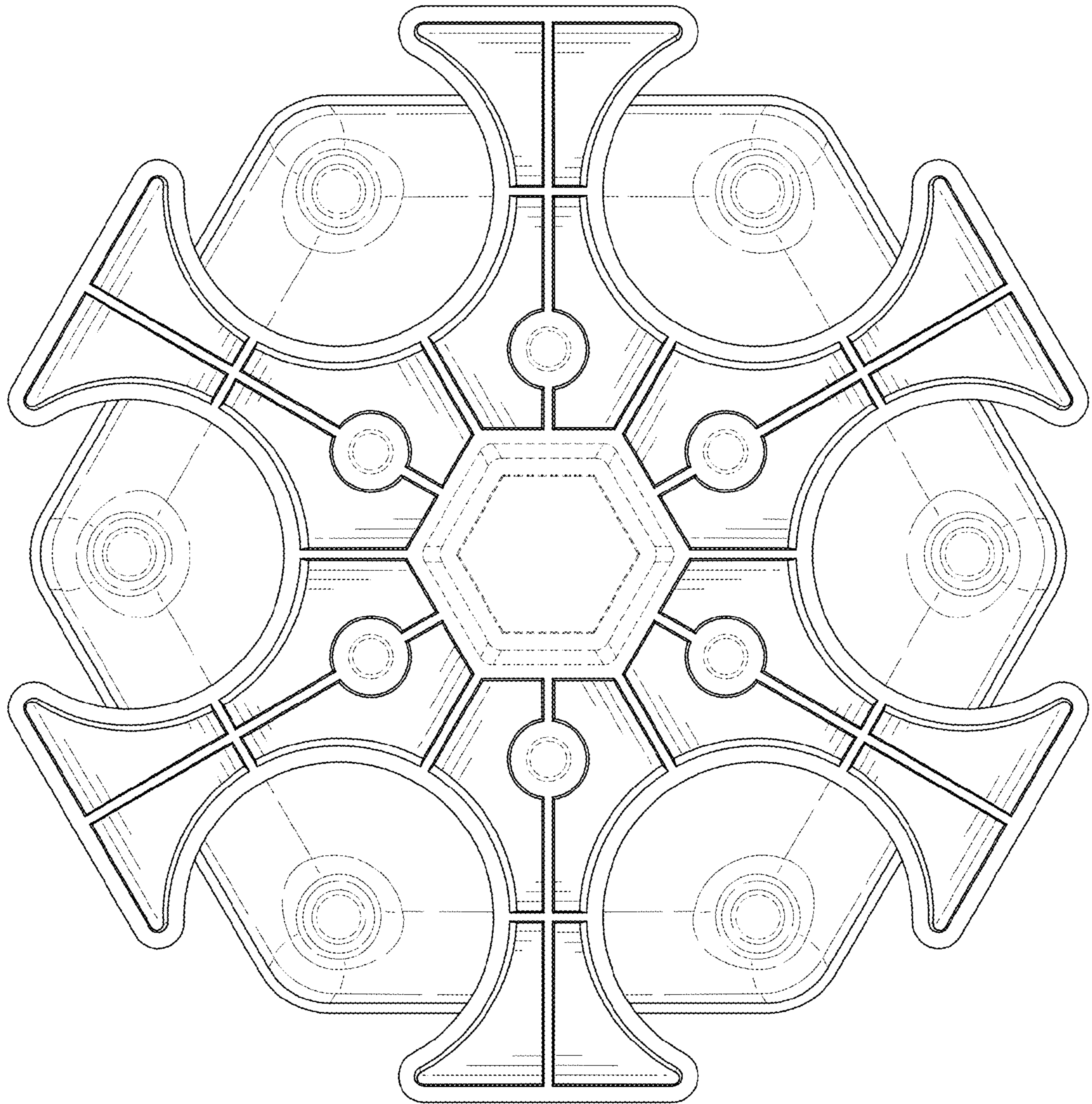


FIG. 8