



US00D963389S

(12) **United States Design Patent**
Michaels et al.

(10) **Patent No.:** **US D963,389 S**
(45) **Date of Patent:** **** Sep. 13, 2022**

(54) **WEIGHT FOR A SIPPY CUP STRAW**

(71) Applicant: **B.BOX FOR KIDS DEVELOPMENTS PTY LTD,**
Mulgrave (AU)

(72) Inventors: **Dannielle Lisa Michaels,** Mulgrave (AU); **Monique Miriam Filer,** Mulgrave (AU)

(73) Assignee: **B.BOX FOR KIDS DEVELOPMENTS PTY LTD.,** Mulgrave (AU)

(**) Term: **15 Years**

(21) Appl. No.: **29/685,914**

(22) Filed: **Apr. 1, 2019**

Related U.S. Application Data

(63) Continuation of application No. 29/607,531, filed on Jun. 14, 2017, now Pat. No. Des. 877,550.

(51) **LOC (13) Cl.** **07-06**

(52) **U.S. Cl.**
USPC **D7/300.2**

(58) **Field of Classification Search**

USPC D9/452, 453, 454, 435, 447, 449;
D7/300, 300.2, 301, 391, 392, 392.1, 424,
D7/430, 435, 443, 447, 449, 453, 454,
D7/510, 511, 538, 540, 542, 543, 544,
D7/545, 635, 629, 780
CPC ... A47G 19/2205; A47G 19/2222; A45F 3/16;
A45F 3/20; B67D 7/06; B67D 7/0004;
B65D 25/14; B65D 47/065; B65D
47/066; B65D 2543/00101; B65D
2543/00027

See application file for complete search history.

(56) **References Cited**

U.S. PATENT DOCUMENTS

D189,756 S ‡ 2/1961 Mori D7/300.2
4,134,494 A * 1/1979 Wong A47G 21/187
215/388
4,749,003 A * 6/1988 Leason F16K 15/148
137/854

(Continued)

FOREIGN PATENT DOCUMENTS

AU 356639 ‡ 7/2014
CN 301858222 ‡ 3/2012

(Continued)

OTHER PUBLICATIONS

Amazon website, b.box Sippy Cup with Innovative Weighted Straw, Earliest comment date May 23, 2020, [site visited Feb. 24, 2022], Available on the Internet URL www.amazon.com/b-box-Sippy-Innovative-Weighted-Straw/dp/B07KYQR1Z8/ (Year: 2020).*

(Continued)

Primary Examiner — S. Bryan Reinholdt, Jr.

(74) *Attorney, Agent, or Firm* — Brooks Kushman P.C.

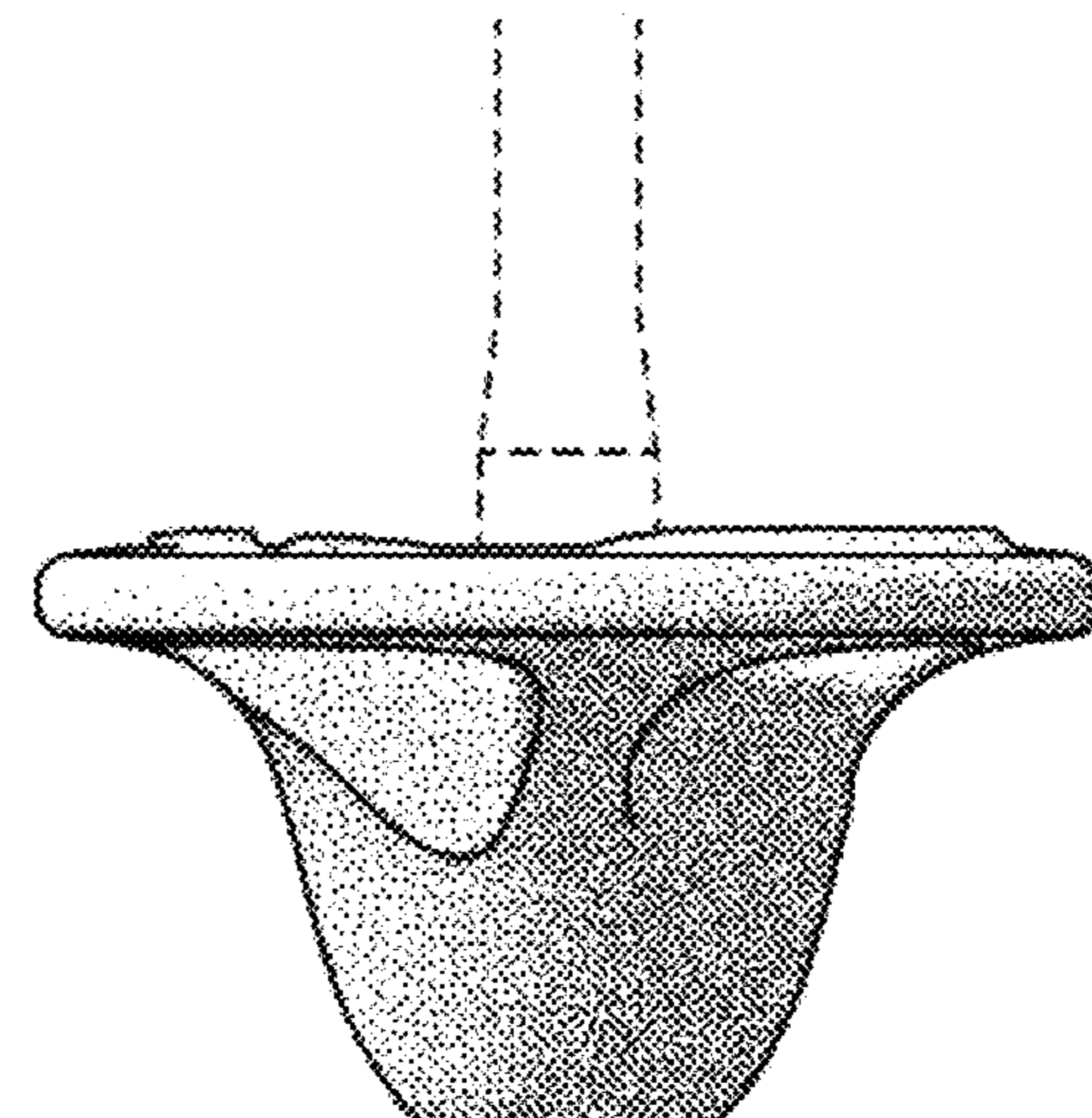
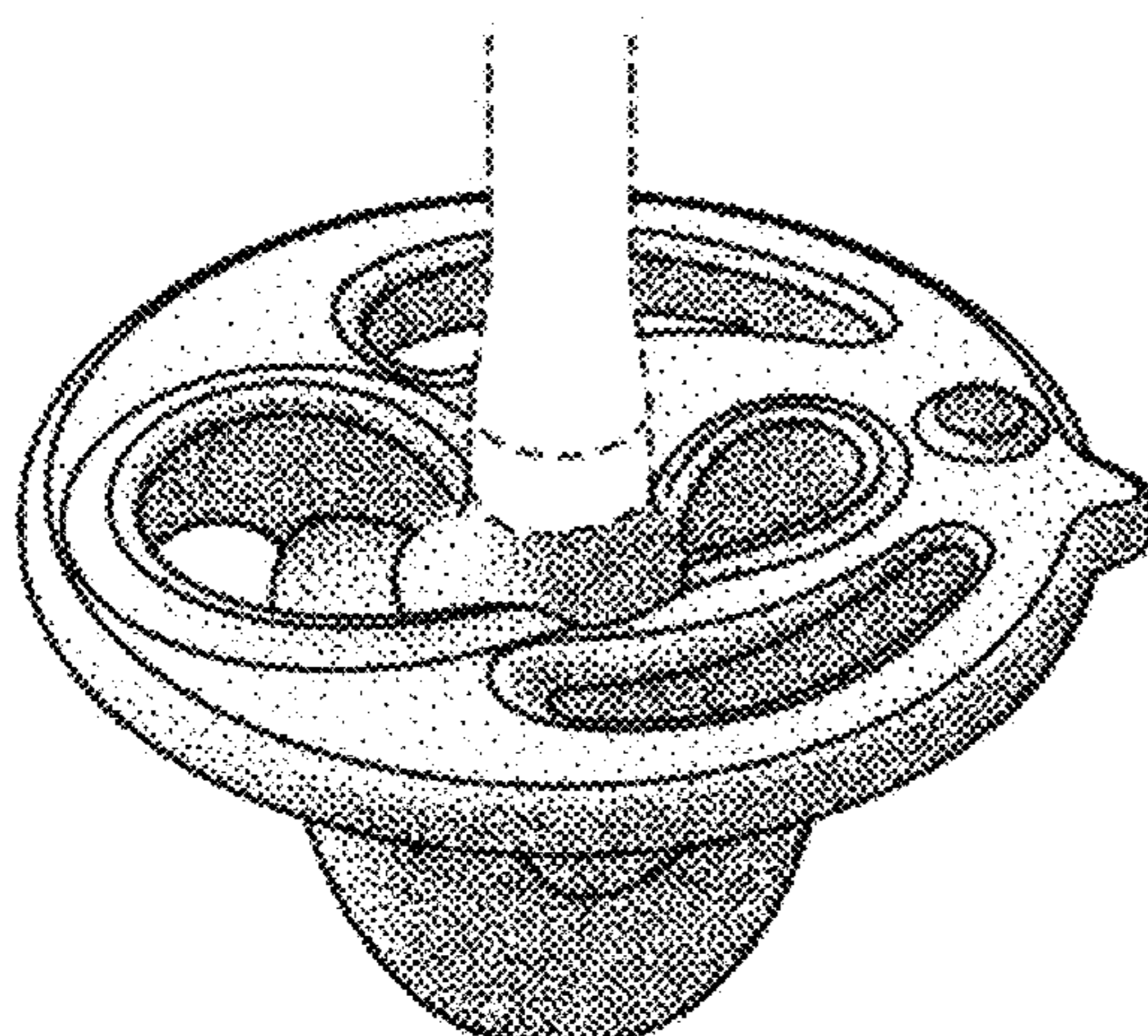
(57) **CLAIM**

The ornamental design for a weight for a sippy cup straw, as shown and described.

DESCRIPTION

FIG. 1 is a perspective view of my weight for a sippy cup straw;
FIG. 2 is a front side elevational view;
FIG. 3 is a rear side elevational view;
FIG. 4 is a left side elevational view of FIG. 2;
FIG. 5 is a right side elevational view of FIG. 2;
FIG. 6 is a top plan view of FIG. 4; and,
FIG. 7 is a bottom plan view of the FIG. 4.
The broken lines depict environment that form no part of the claimed design.

1 Claim, 1 Drawing Sheet



(56)

References Cited

U.S. PATENT DOCUMENTS

D303,197 S * 9/1989 Turner, Jr. D7/300.2
 5,975,340 A * 11/1999 Cornell B65D 77/283
 7,097,065 B2 † 8/2006 Yoneoka A47G 19/2266
 220/706
 D527,566 S † 9/2006 Mather D7/300.2
 7,255,241 B2 † 8/2007 Yoneoka A47G 19/2266
 215/22
 D583,183 S * 12/2008 Roth D7/300.2
 7,516,862 B2 † 4/2009 McDonough A47G 19/2266
 215/30
 D595,990 S † 7/2009 Rothberg D7/300.2
 8,336,724 B2 † 12/2012 Yamashita et al.
 A47G 19/2266
 215/30
 8,376,165 B2 † 2/2013 Chiang B65D 47/066
 215/22
 8,376,173 B2 † 2/2013 Britto B65D 47/066
 206/21
 8,403,164 B2 † 3/2013 Samson B65D 47/2062
 206/21
 D683,185 S † 5/2013 Thomas D7/510
 D683,189 S † 5/2013 Thomas D7/510
 8,550,269 B2 † 10/2013 Lane B65D 47/066
 215/22
 D699,064 S † 2/2014 Katterheinrich D7/300.2
 D700,014 S * 2/2014 Zeanah D7/510
 D713,687 S † 9/2014 Lv D7/510
 D730,697 S † 6/2015 Johnson D7/510
 D781,640 S † 3/2017 Roth D7/300.2
 D813,445 S † 3/2018 Scott D27/101

10,420,433 B2 * 9/2019 Coon A47G 19/2272
 D877,550 S * 3/2020 Michaels D7/300.2
 10,737,840 B2 * 8/2020 Oates, II B65D 25/42
 11,058,241 B2 * 7/2021 Amatoury F16K 31/521
 11,284,730 B2 * 3/2022 Michaels B65D 47/066
 2006/0196895 A1 † 9/2006 Trejo A47G 21/18
 222/528
 2014/0069944 A1 † 3/2014 Shapiro A47G 19/2272
 220/70
 2015/0048110 A1 † 2/2015 dePoo A23L 2/04
 222/567
 2015/0374154 A1 † 12/2015 Wharton F16K 15/14
 220/71
 2017/0208974 A1 † 7/2017 Zhang A47G 19/2272
 2020/0170426 A1 * 6/2020 Michaels B65D 47/066
 2021/0085106 A1 * 3/2021 Amatoury F16K 7/12

FOREIGN PATENT DOCUMENTS

CN 302319674 † 2/2013
 CN 302862109 † 7/2014
 CN 302892939 † 7/2014
 CN 303488062 † 12/2015

OTHER PUBLICATIONS

Little and Loved website, Sippy Cup V2—Single Replacement Straw Only, Earliest publication date from Wayback Maching Internet Archive Feb. 15, 2019, [site visited Feb. 15, 2019], Available on the Internet URL <https://web.archive.org/web/20190215143742/https://www.littleandloved.co.nz/products/sippy-cup.†>

* cited by examiner

† imported from a related application

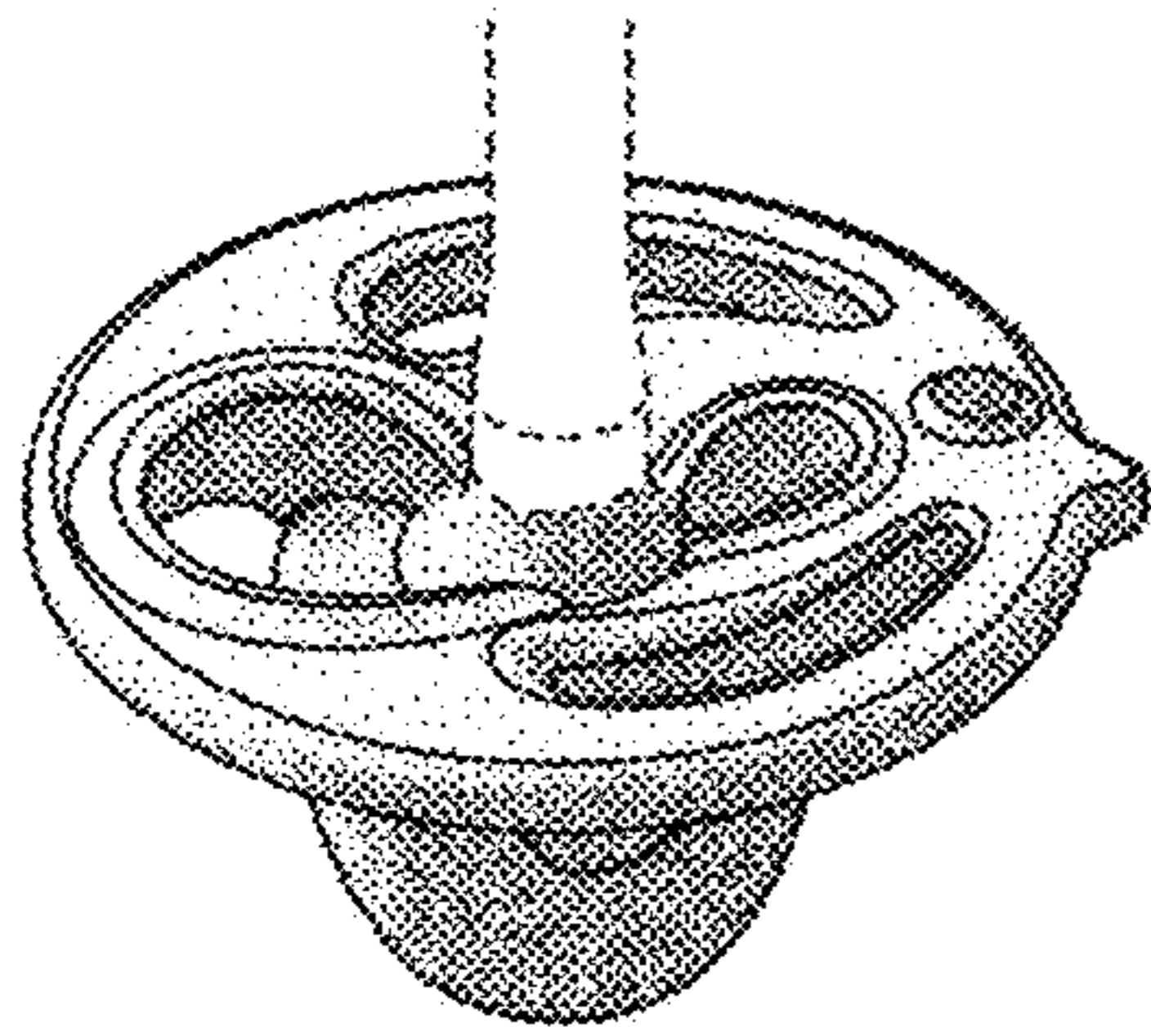


FIG. 1

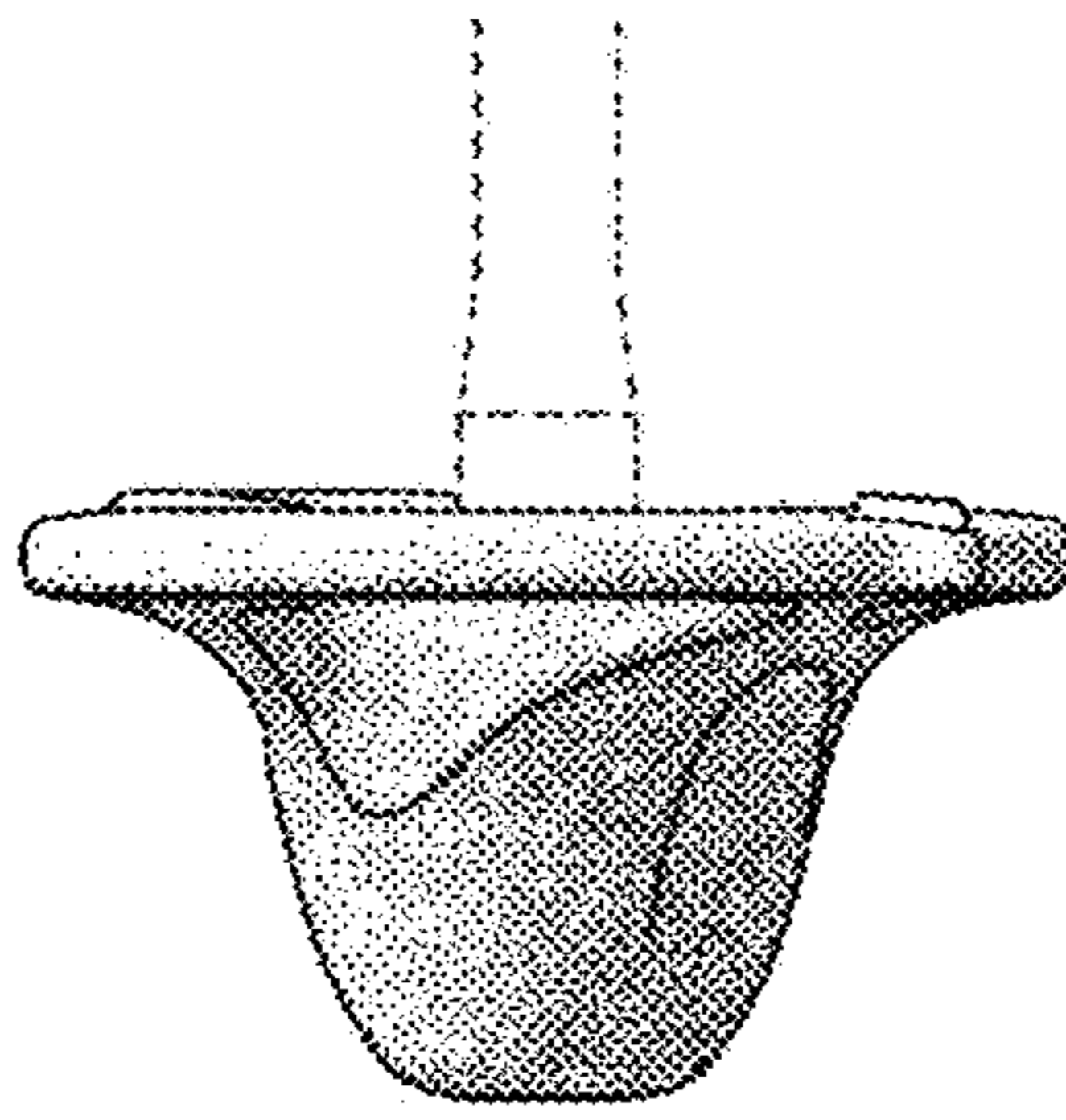


FIG. 2

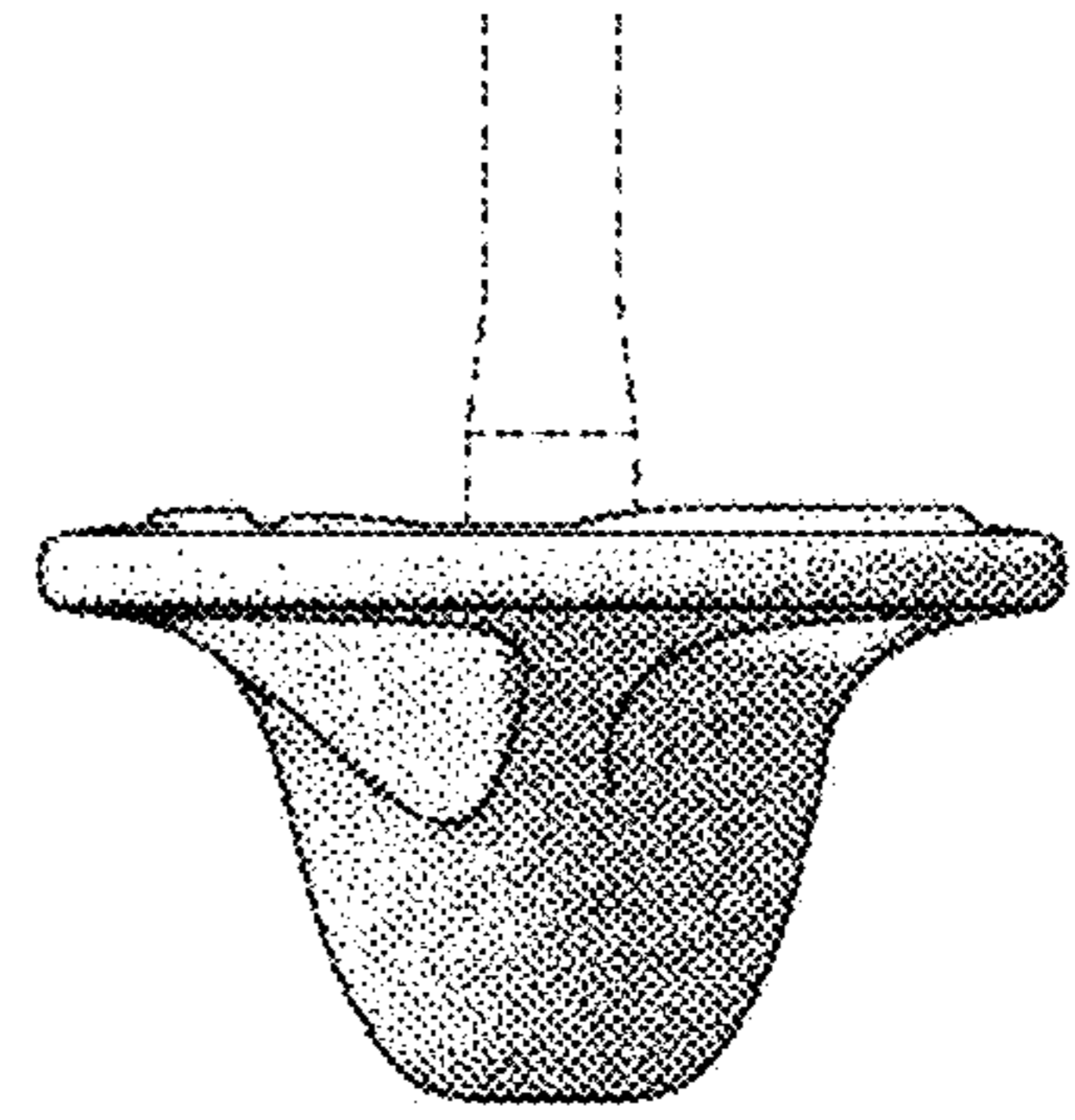


FIG. 3

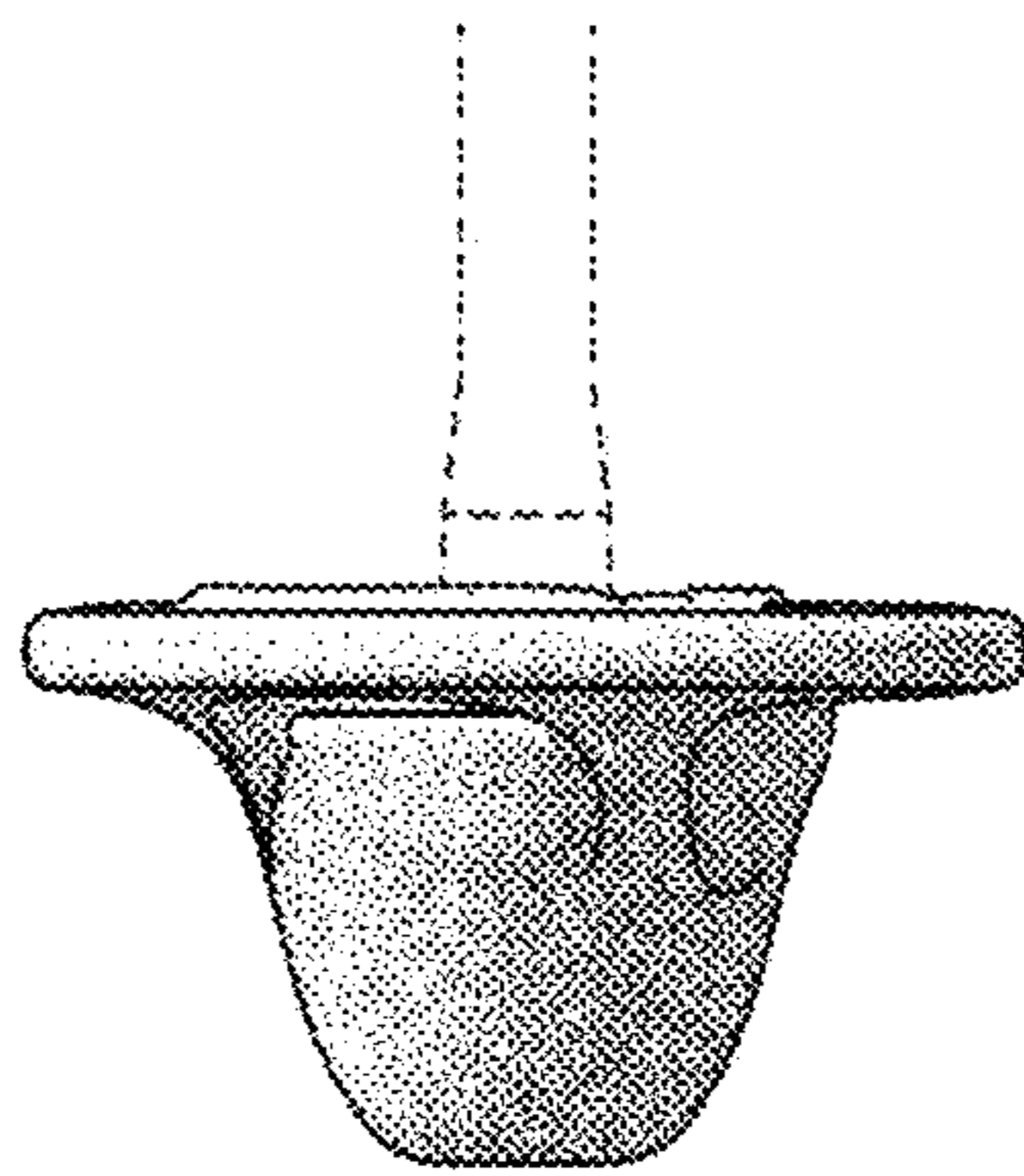


FIG. 4

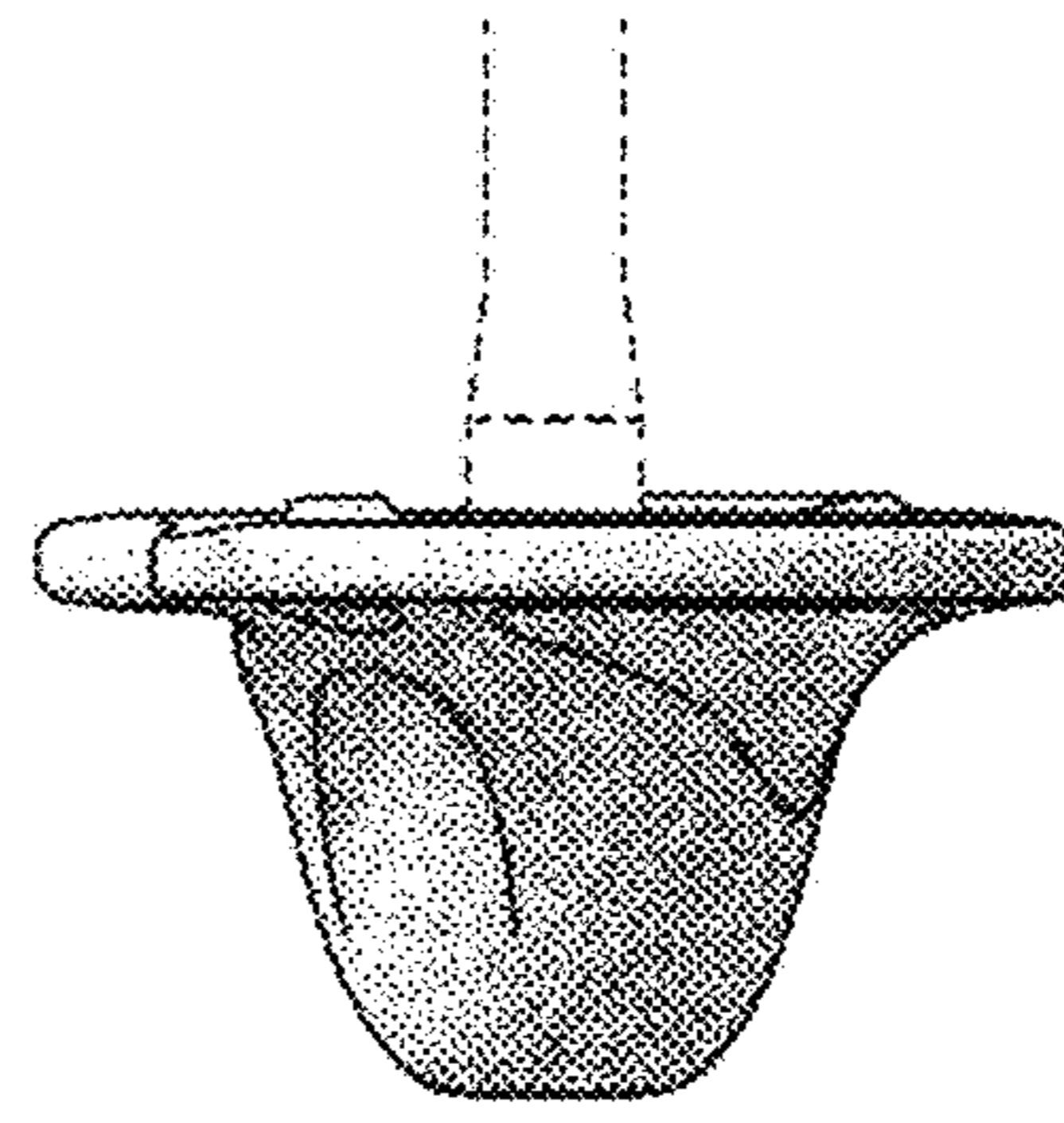


FIG. 5

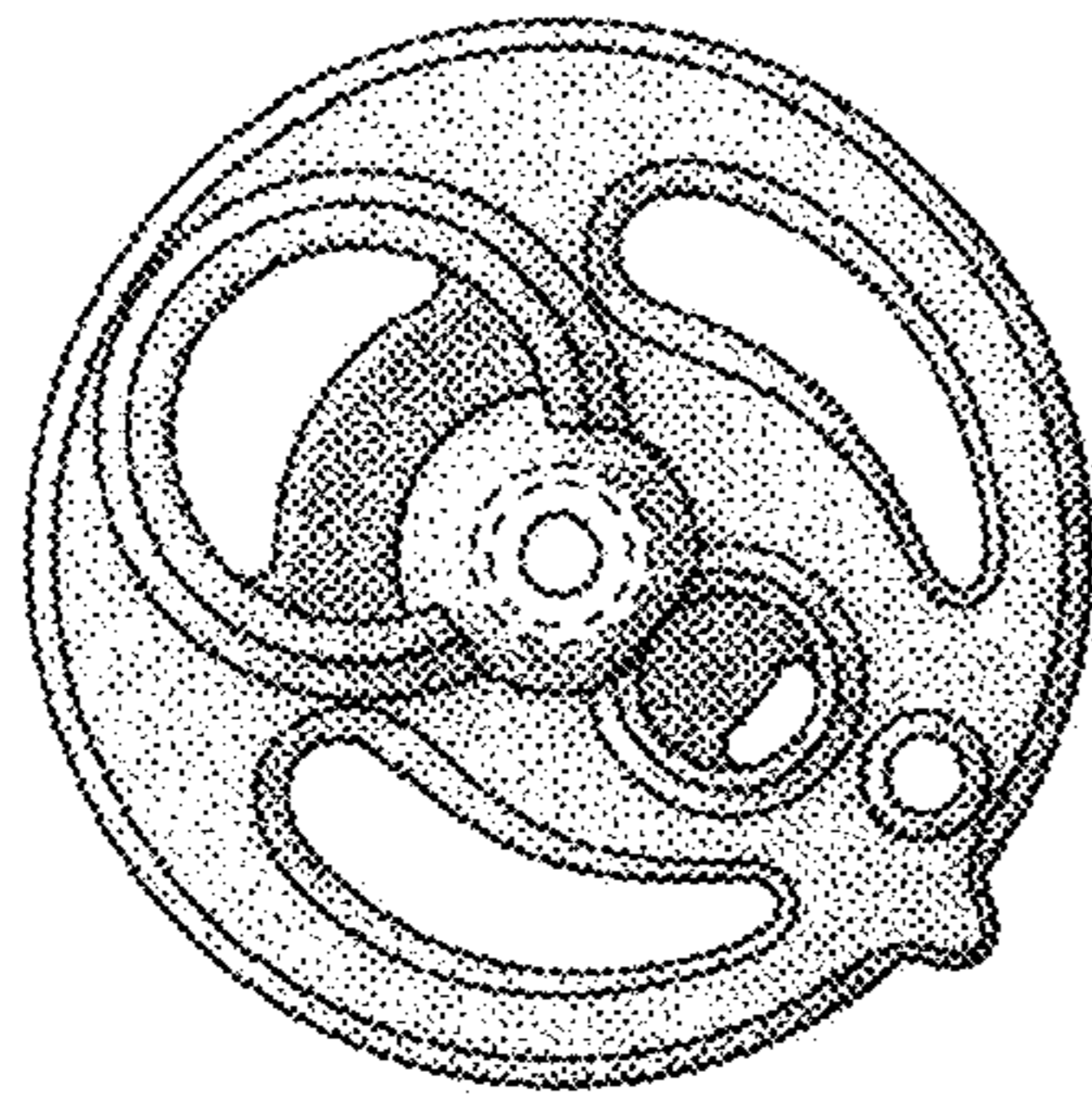


FIG. 6

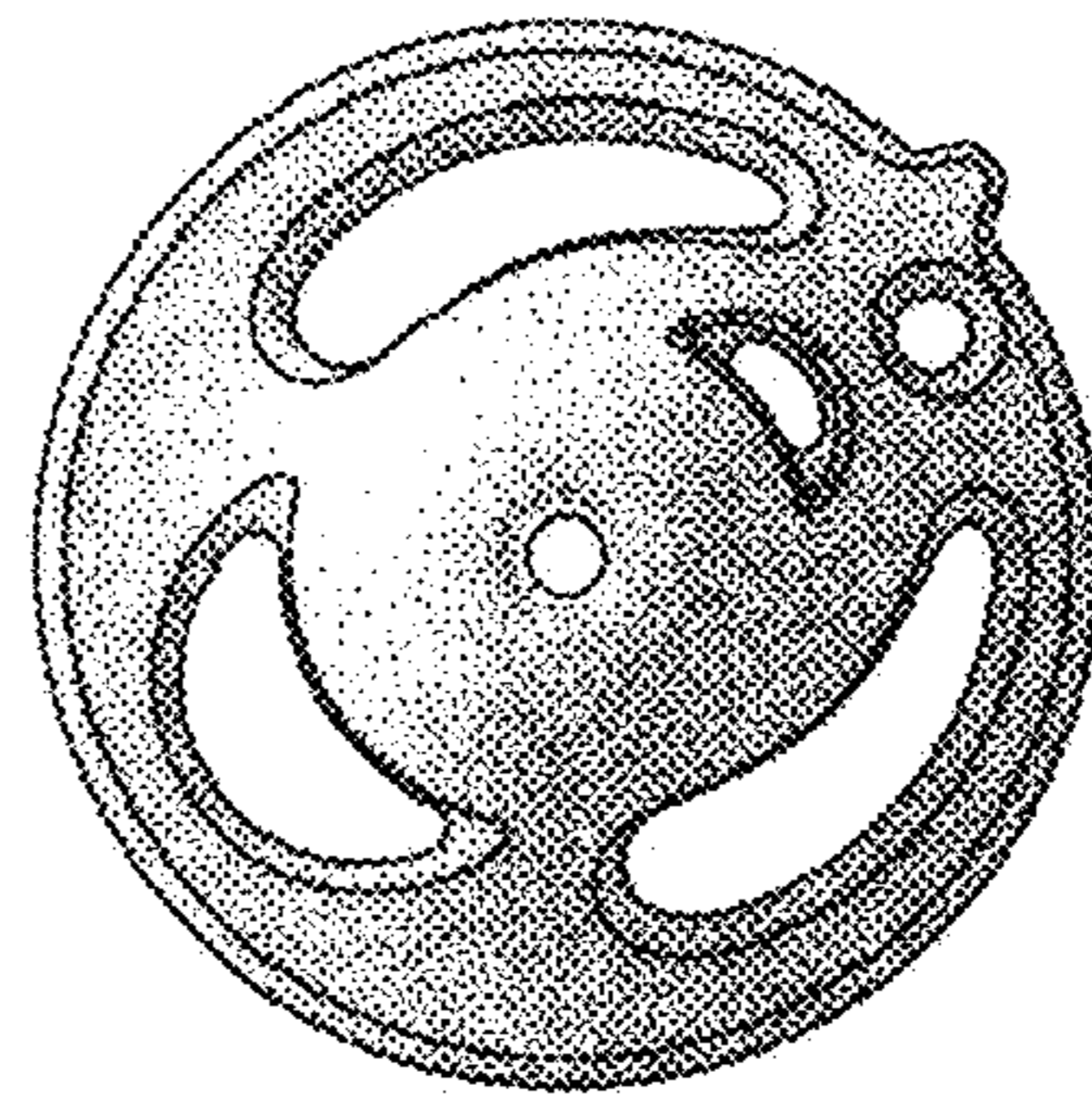


FIG. 7