



US00D963388S

(12) **United States Design Patent** (10) **Patent No.:** **US D963,388 S**  
**Saotome** (45) **Date of Patent:** **\*\* Sep. 13, 2022**

(54) **STORAGE FURNITURE**  
(71) Applicant: **Okamura Corporation**, Yokohama (JP)  
(72) Inventor: **Hiroshi Saotome**, Yokohama (JP)  
(73) Assignee: **Okamura Corporation**, Yokohama (JP)  
(\*\*) Term: **15 Years**  
(21) Appl. No.: **29/690,844**  
(22) Filed: **May 10, 2019**

D220,442 S \* 4/1971 Beavers ..... D6/671  
D220,704 S \* 5/1971 Kramer ..... D6/691.8  
D227,330 S \* 6/1973 Robinson ..... D6/709  
D276,864 S \* 12/1984 Ponzellini ..... D6/709  
D314,299 S \* 2/1991 Diffrient ..... D6/709  
D320,733 S \* 10/1991 Pearson ..... D8/331  
D510,492 S \* 10/2005 Sakurai ..... D6/709  
D513,678 S 1/2006 Henriott et al.  
D588,380 S 3/2009 Bucholz et al.  
D614,889 S \* 5/2010 Van Duysen ..... D6/691.5  
D734,631 S 7/2015 Velez  
D742,667 S 11/2015 Weatherly  
D790,883 S \* 7/2017 Schonherr ..... D6/663

(Continued)

**Related U.S. Application Data**

(62) Division of application No. 29/622,453, filed on Oct. 17, 2017, now Pat. No. Des. 863,836.  
(51) **LOC (13) Cl.** ..... **06-06**  
(52) **U.S. Cl.**  
USPC ..... **D6/709**  
(58) **Field of Classification Search**  
USPC ..... D6/657, 664.1, 666, 668.2, 669, 671,  
D6/671.1, 675, 675.1, 675.3, 702, 663;  
D15/79, 81, 85, 88; D20/1, 4, 5;  
D23/286; D99/28  
CPC ..... A47F 9/00; A47B 43/00; A47B 87/002;  
E04H 1/00; E04H 1/1205; E04H 1/005;  
E04H 1/12; E04H 1/1283; D06F 57/10;  
E04B 1/34321; E04B 1/34331; E04B  
1/3483; E04B 1/34807; E04B 1/343;  
E04B 1/348; E06B 1/04  
See application file for complete search history.

*Primary Examiner* — Kevin K Rudzinski  
*Assistant Examiner* — Paul D Bohannon  
(74) *Attorney, Agent, or Firm* — Banner & Witcoff, Ltd.

(57) **CLAIM**

The ornamental design for a storage furniture, as shown and described.

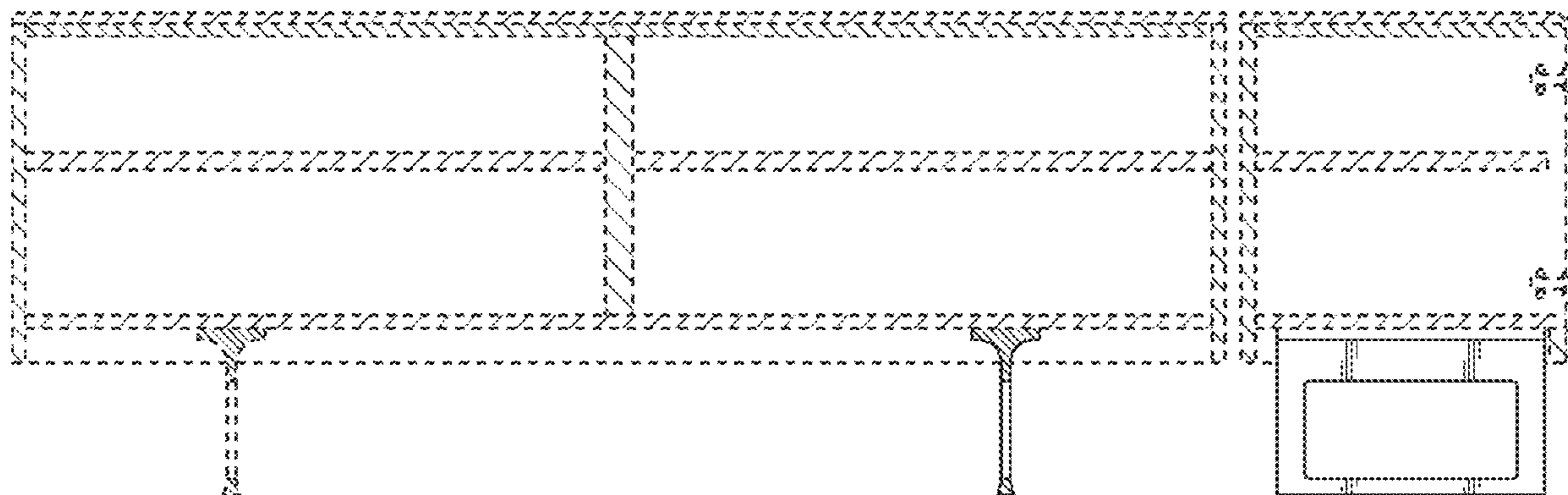
**DESCRIPTION**

FIG. 1 is a front perspective view of a storage furniture showing my new design;  
FIG. 2 is a rear perspective view thereof;  
FIG. 3 is a front view thereof;  
FIG. 4 is a right side view thereof, the left view thereof being a mirror image;  
FIG. 5 is a top view thereof;  
FIG. 6 is a rear view thereof;  
FIG. 7 is a bottom view thereof;  
FIG. 8 is a cross-sectional view taken along the line 8-8 in FIG. 5; and,  
FIG. 9 is a cross-sectional view taken along the line 9-9 in FIG. 3.

The broken lines shown in the drawings are included for the purpose of illustrating portions of the storage furniture that form no part of the claimed design.

**1 Claim, 5 Drawing Sheets**

(56) **References Cited**  
U.S. PATENT DOCUMENTS  
D214,567 S \* 7/1969 Schaefer ..... D6/709  
D216,715 S \* 3/1970 Dottinger ..... D6/709  
D217,261 S \* 4/1970 Gianfagna ..... D6/691.8  
D220,441 S \* 4/1971 Beavers ..... D6/651



(56)

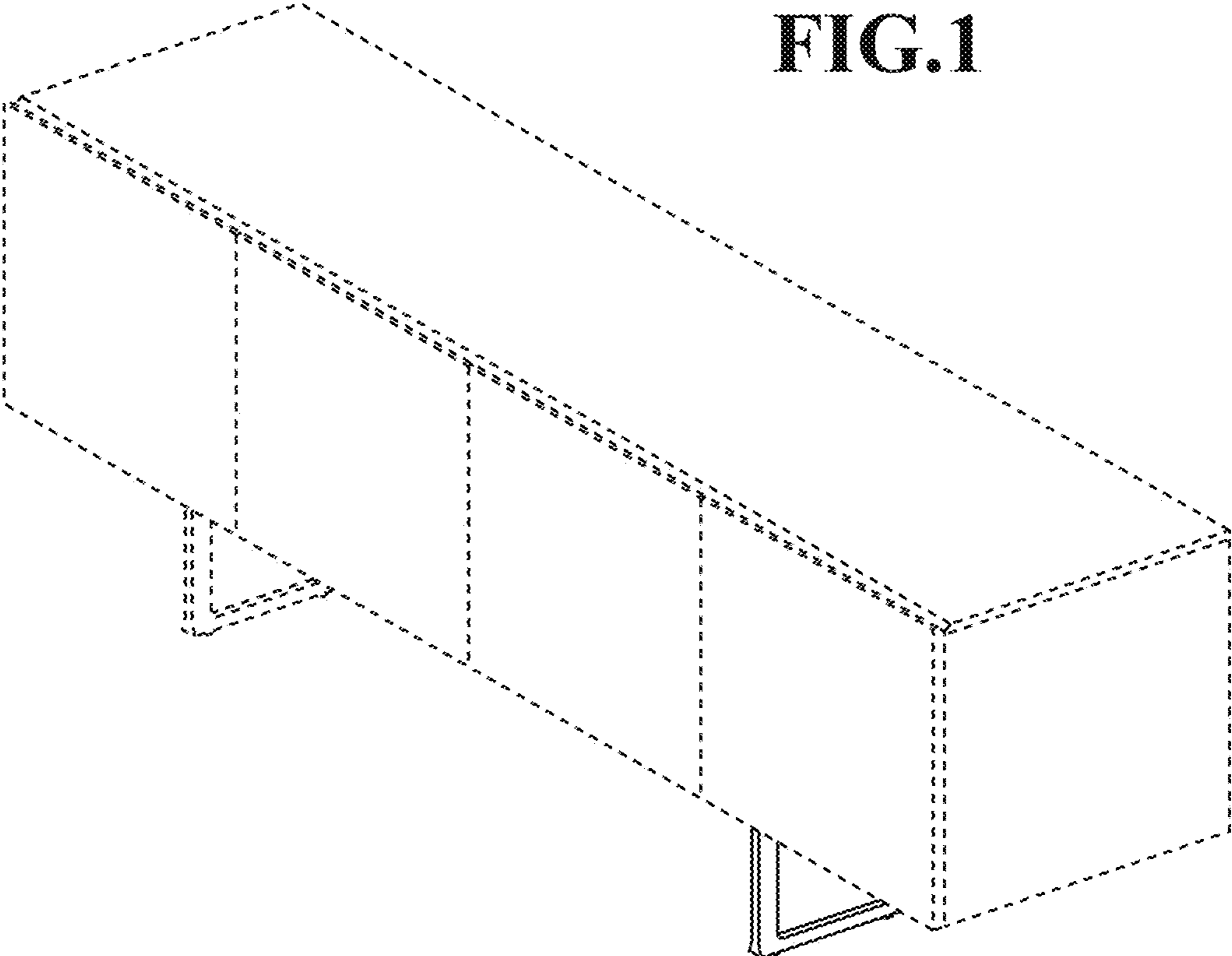
**References Cited**

U.S. PATENT DOCUMENTS

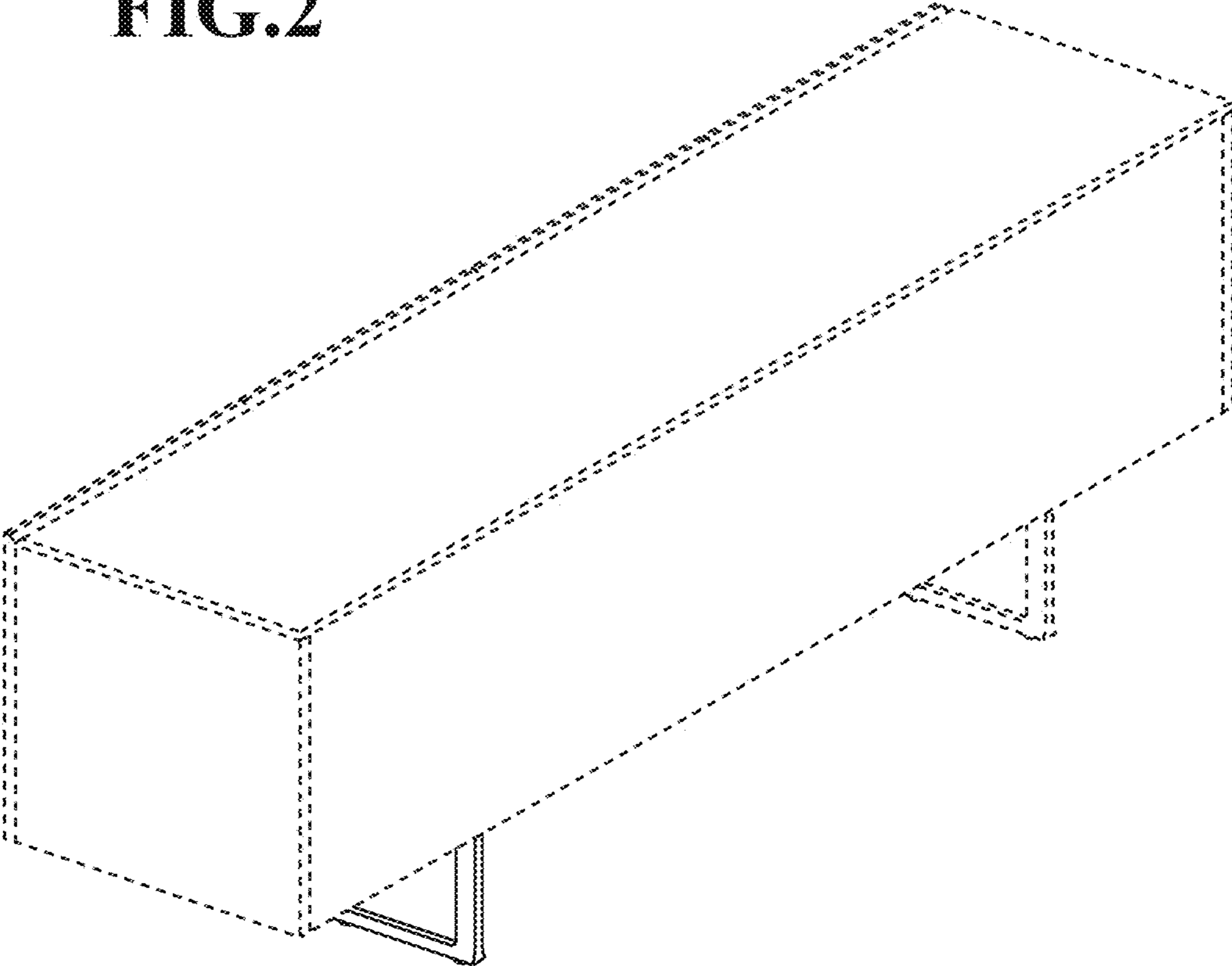
D790,893	S	7/2017	Grassinger et al.	
D799,861	S	10/2017	Krusin	
D839,626	S *	2/2019	Stone .....	D6/393
D841,377	S *	2/2019	Jacoby .....	D6/691.7
D851,426	S *	6/2019	Saotome .....	D6/663
D863,836	S *	10/2019	Saotome .....	D6/663
D864,599	S *	10/2019	Yamamoto .....	D6/332
D866,206	S *	11/2019	Tham .....	D6/381
D874,192	S *	2/2020	Velez .....	D6/671.1

\* cited by examiner

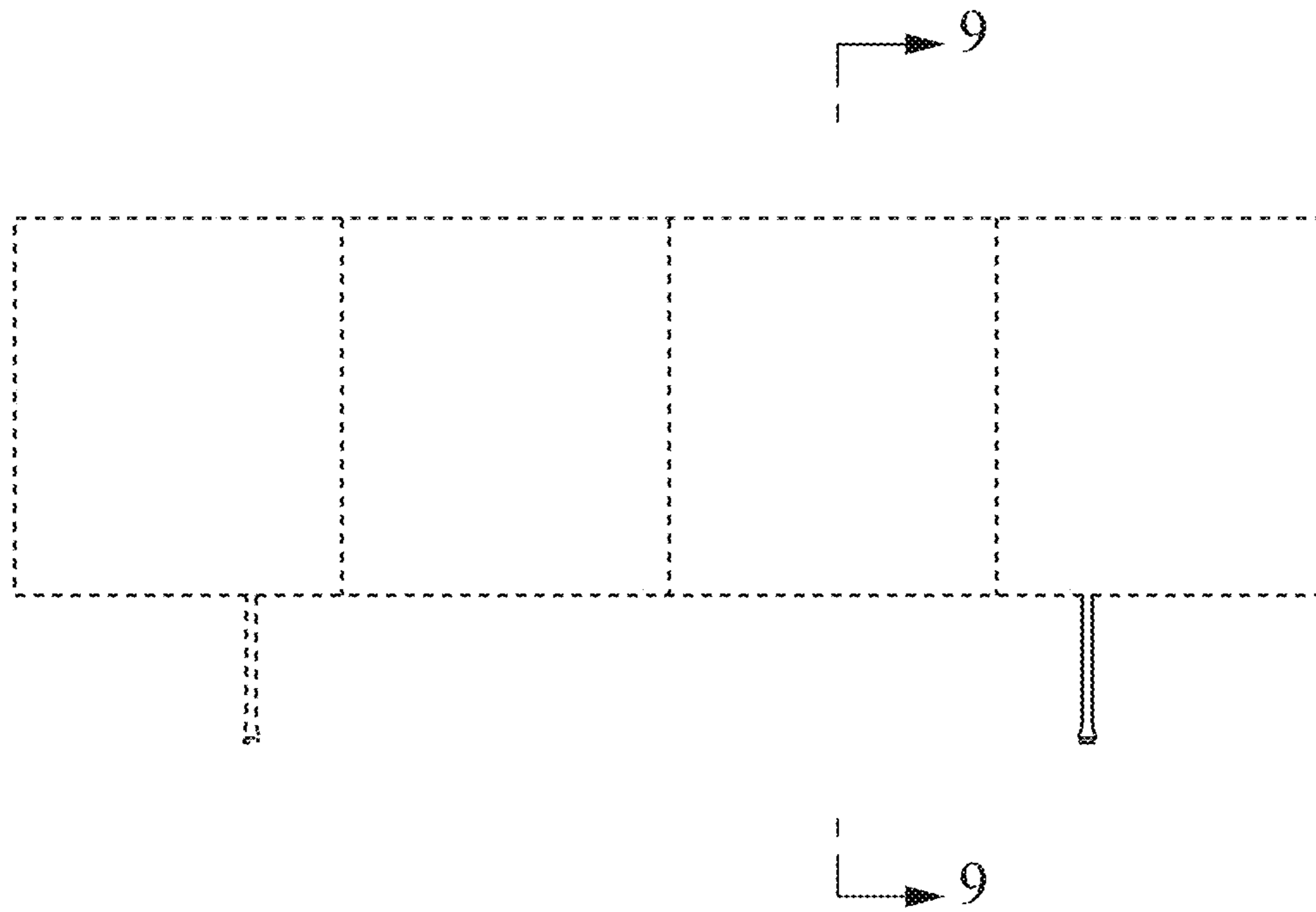
**FIG.1**



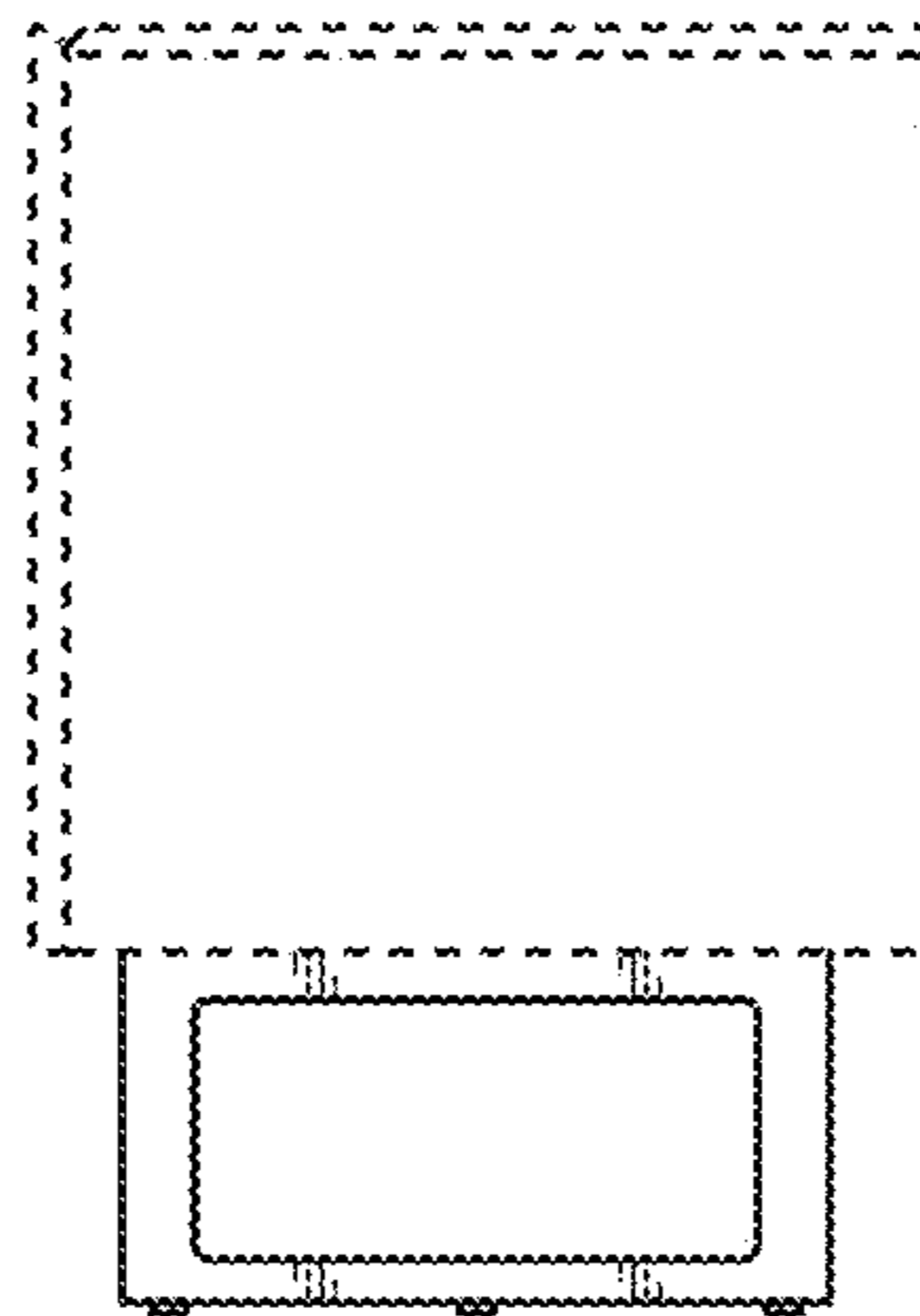
**FIG.2**



**FIG. 3**



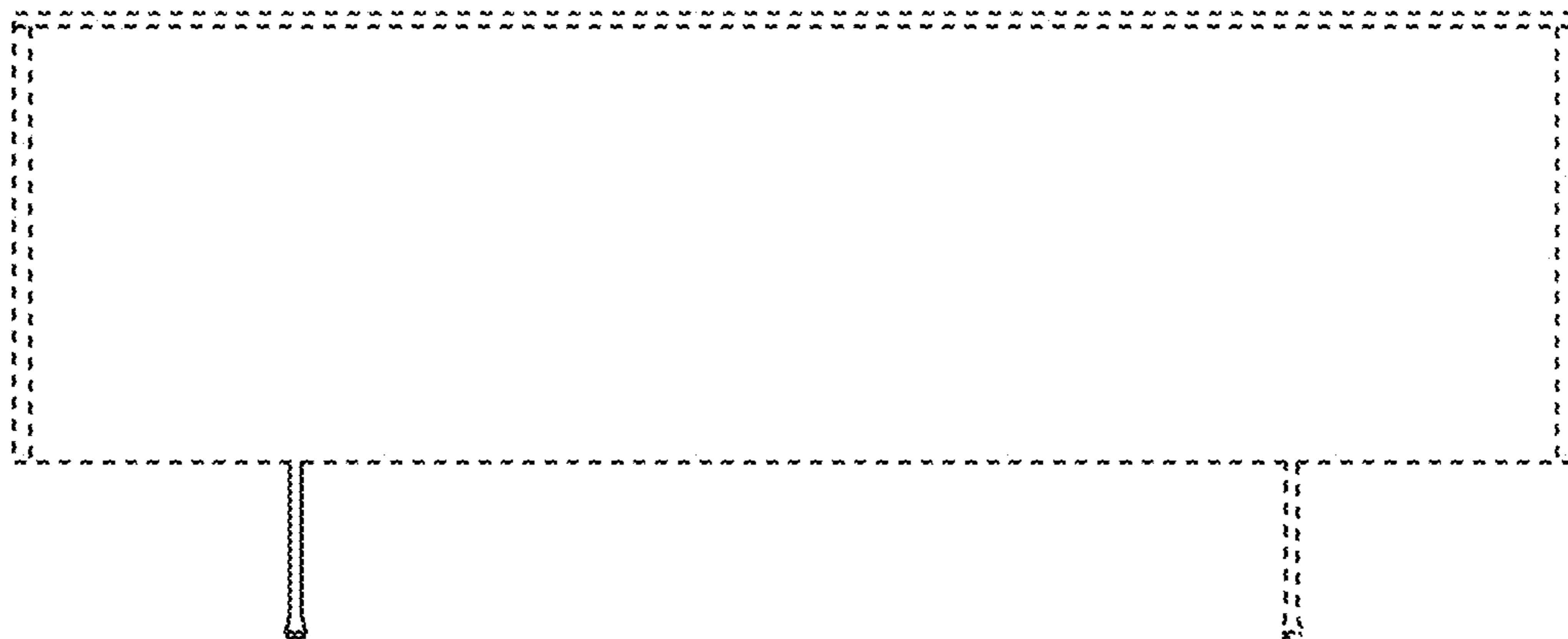
**FIG. 4**



**FIG. 5**



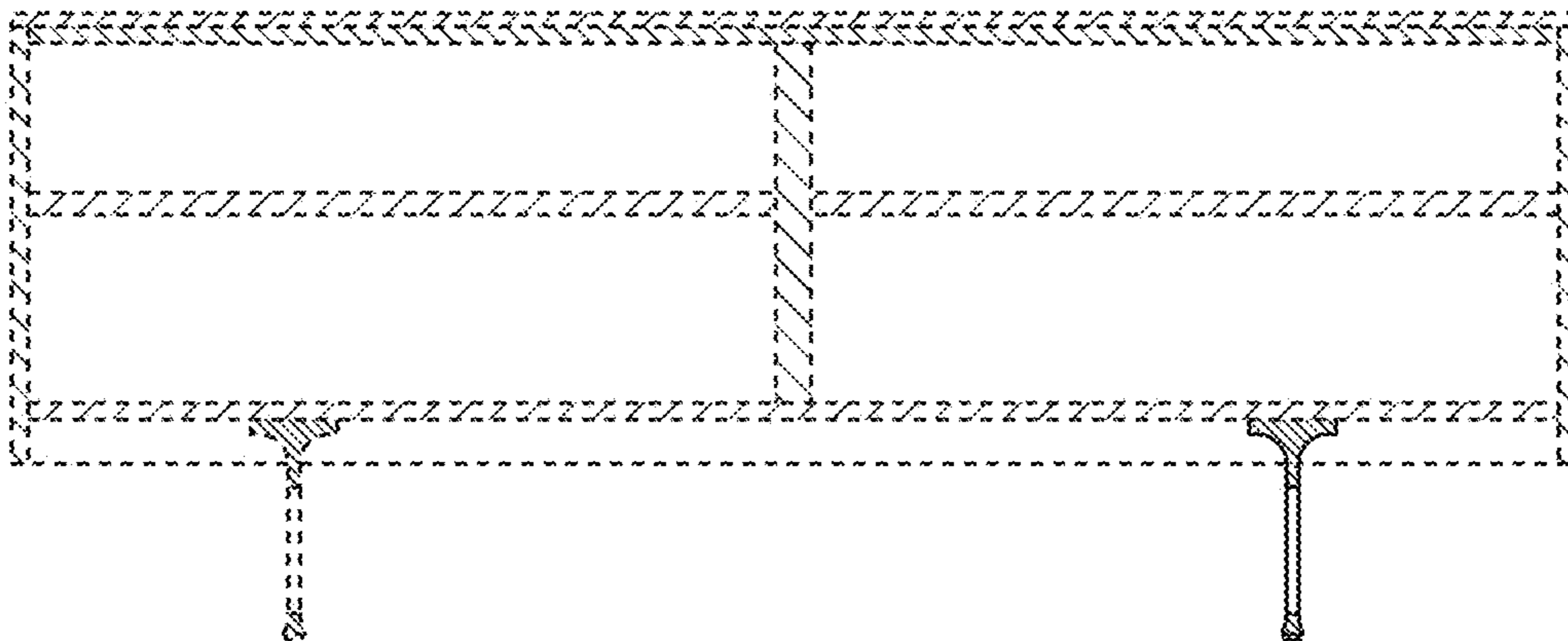
**FIG. 6**



**FIG. 7**



**FIG. 8**



**FIG. 9**

