



US00D963386S

(12) **United States Design Patent** (10) **Patent No.:** **US D963,386 S**  
**Sun** (45) **Date of Patent:** **\*\* Sep. 13, 2022**

(54) **MUSIC SHEET STAND**

D911,757 S \* 3/2021 Zhou ..... A47B 19/002  
D6/701

(71) Applicant: **SHENZHEN QIANPIN TECHNOLOGY CO., LTD.**, Shenzhen (CN)

2006/0175523 A1 8/2006 Tai  
2008/0061210 A1 3/2008 Carnevali

\* cited by examiner

(72) Inventor: **Yujun Sun**, Xingning (CN)

*Primary Examiner* — Mary Ann Calabrese

(73) Assignee: **SHENZHEN QIANPIN TECHNOLOGY CO., LTD.**, Shenzhen (CN)

(57) **CLAIM**

The ornamental design for a music sheet stand, as shown and described.

**DESCRIPTION**

(\*\*) Term: **15 Years**

FIG. 1 is a front perspective view of a music sheet stand showing my new design;

(21) Appl. No.: **29/803,000**

FIG. 2 is a rear perspective view thereof;

(22) Filed: **Aug. 10, 2021**

FIG. 3 is a front elevational view thereof;

(51) **LOC (13) Cl.** ..... **06-06**

FIG. 4 is a rear elevational view thereof;

(52) **U.S. Cl.**

FIG. 5 is a left side elevational view thereof;

USPC ..... **D6/701**

FIG. 6 is a right side elevational view thereof;

(58) **Field of Classification Search**

USPC ..... **D6/700-703**

FIG. 7 is a top plan view thereof;

CPC . **A47B 19/00; A47B 19/002; A47B 2019/004;**

FIG. 8 is a bottom plan view thereof;

**A47B 2019/006; A47B 2019/008**

FIG. 9 is an exploded perspective view of the music sheet stand;

See application file for complete search history.

FIG. 10 is a perspective view of a music sheet holder of the music sheet stand shown separately for ease of illustration and shown in a folded state; and,

FIG. 11 is an enlarged detail view of the encircled area 11 shown in FIG. 2.

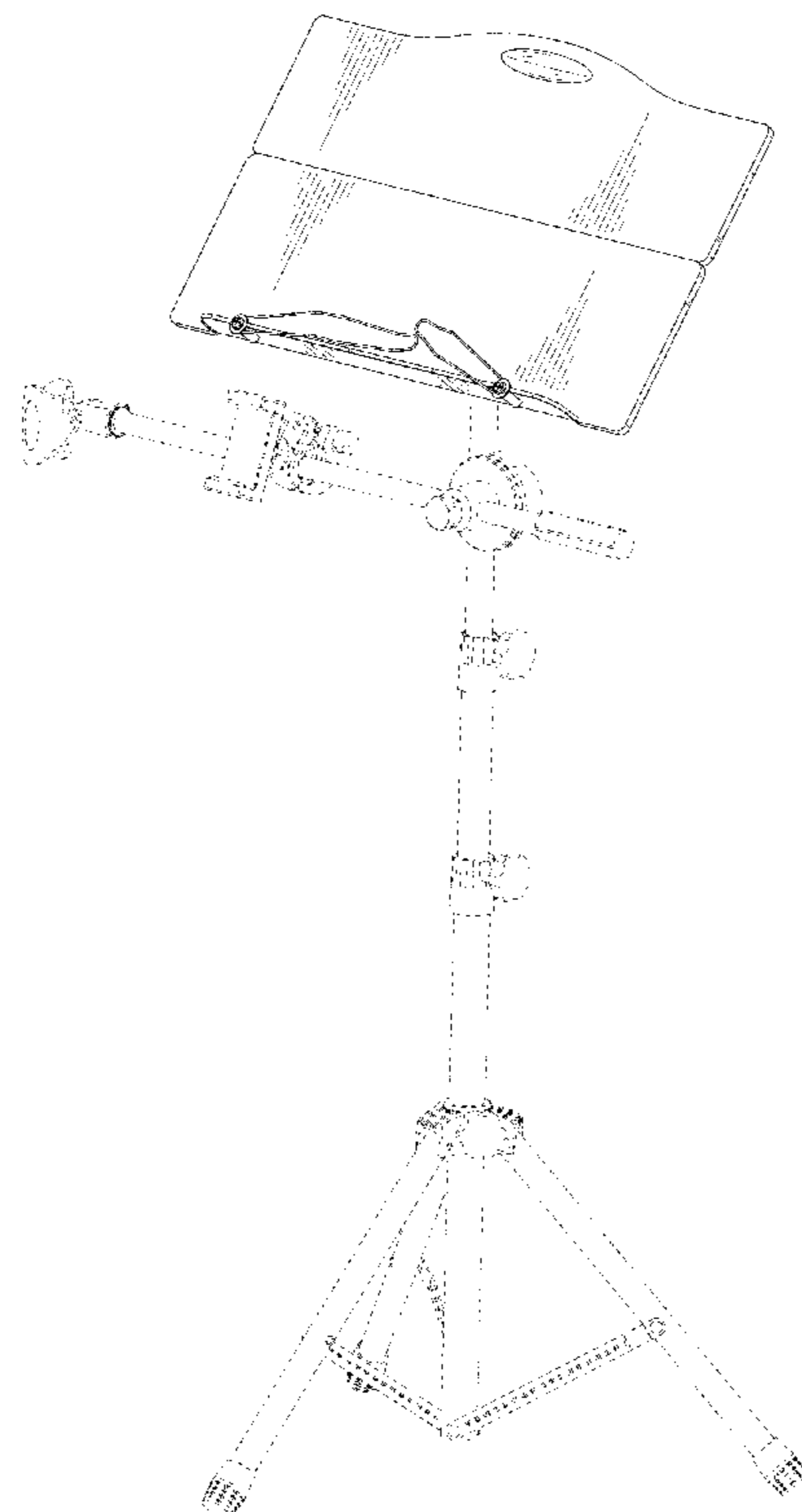
(56) **References Cited**

**U.S. PATENT DOCUMENTS**

5,106,048 A \* 4/1992 Lebar ..... A47B 19/002  
248/167  
D540,564 S \* 4/2007 Tai ..... A47B 19/002  
D6/701

The dash-dash broken lines in the drawings depict portions of the music sheet stand that form no part of the claimed design. The dot-dash broken lines represent the boundary of the enlarged portion and form no part of the claimed design.

**1 Claim, 11 Drawing Sheets**



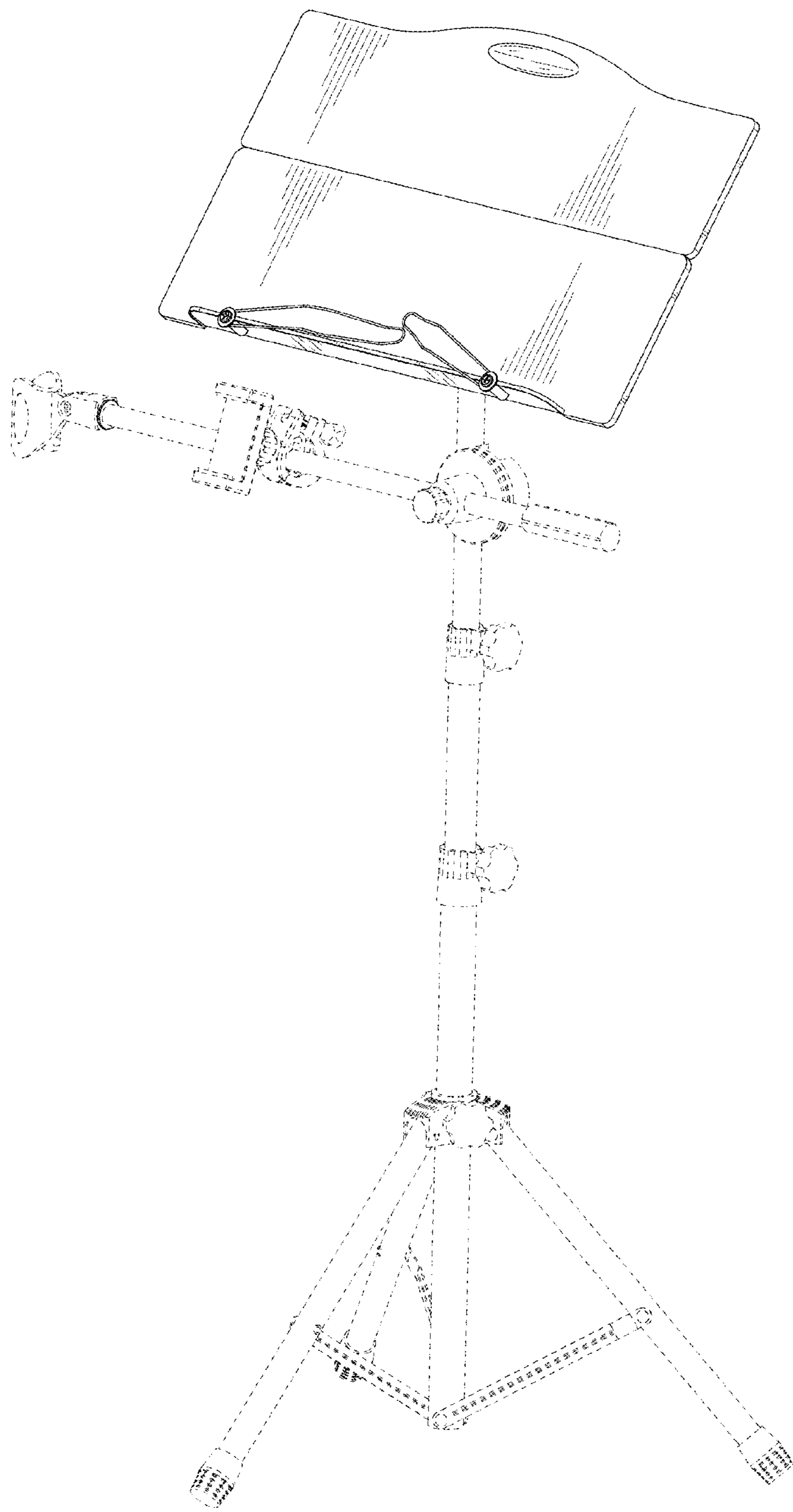


FIG. 1

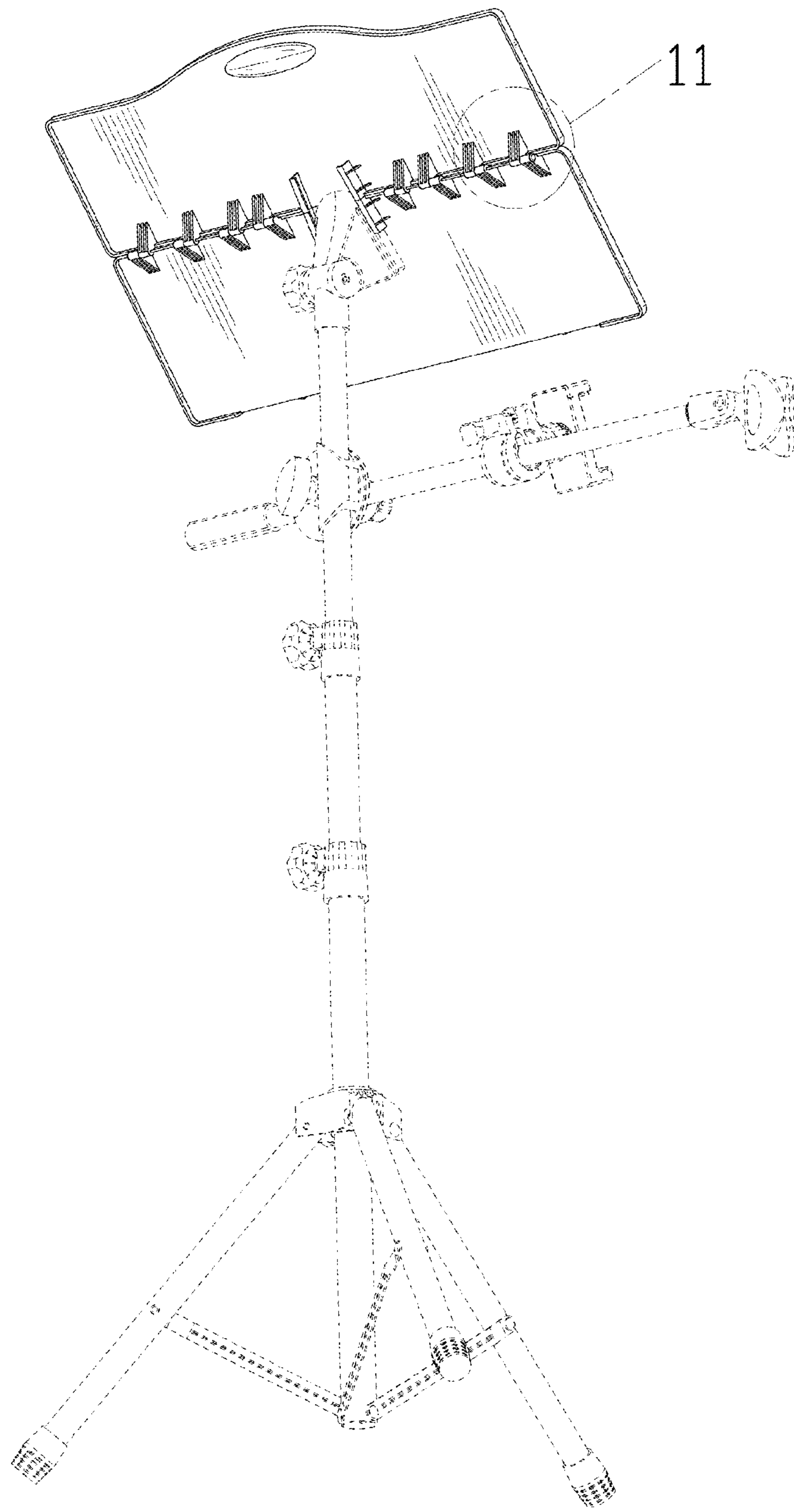


FIG. 2

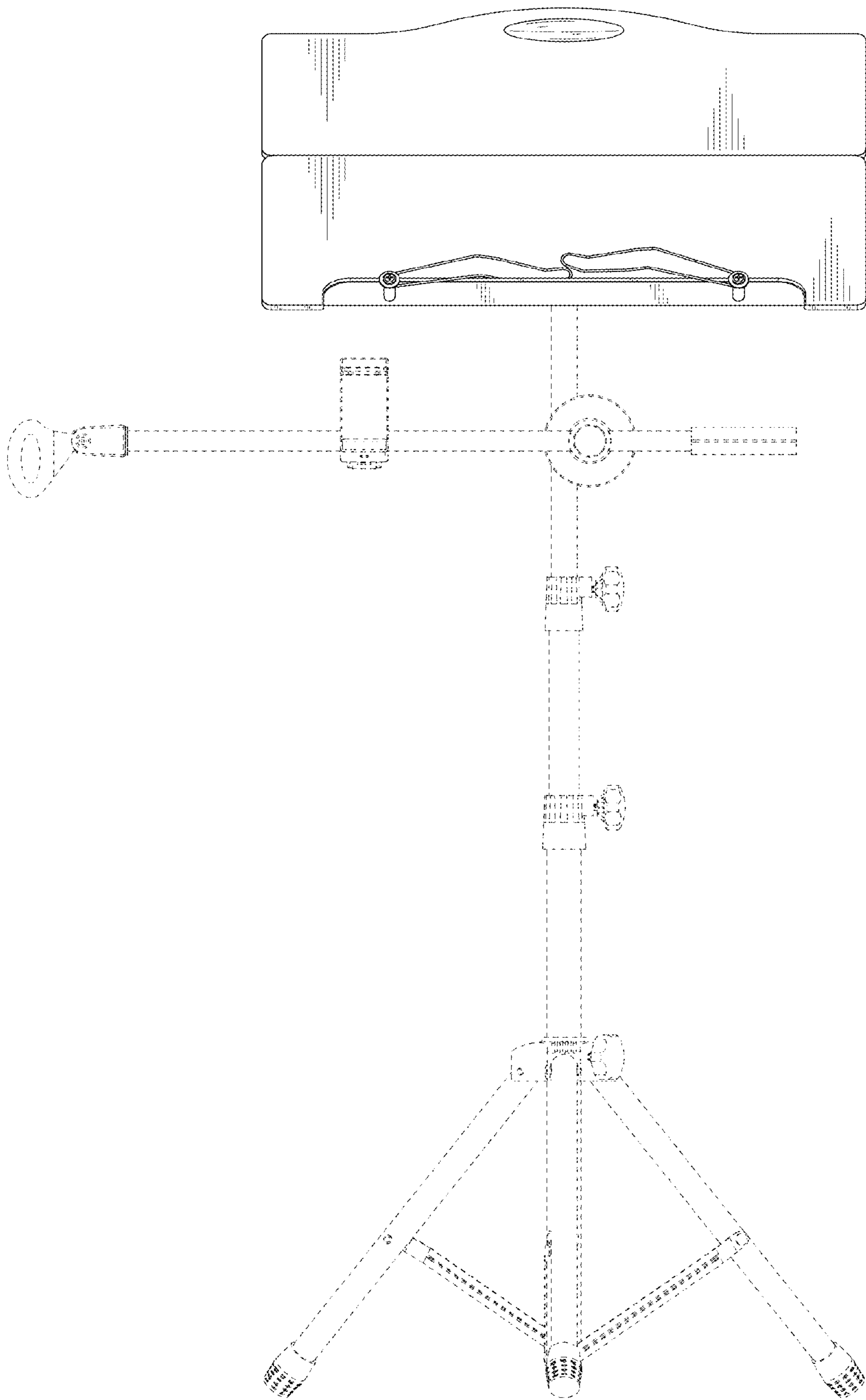


FIG. 3

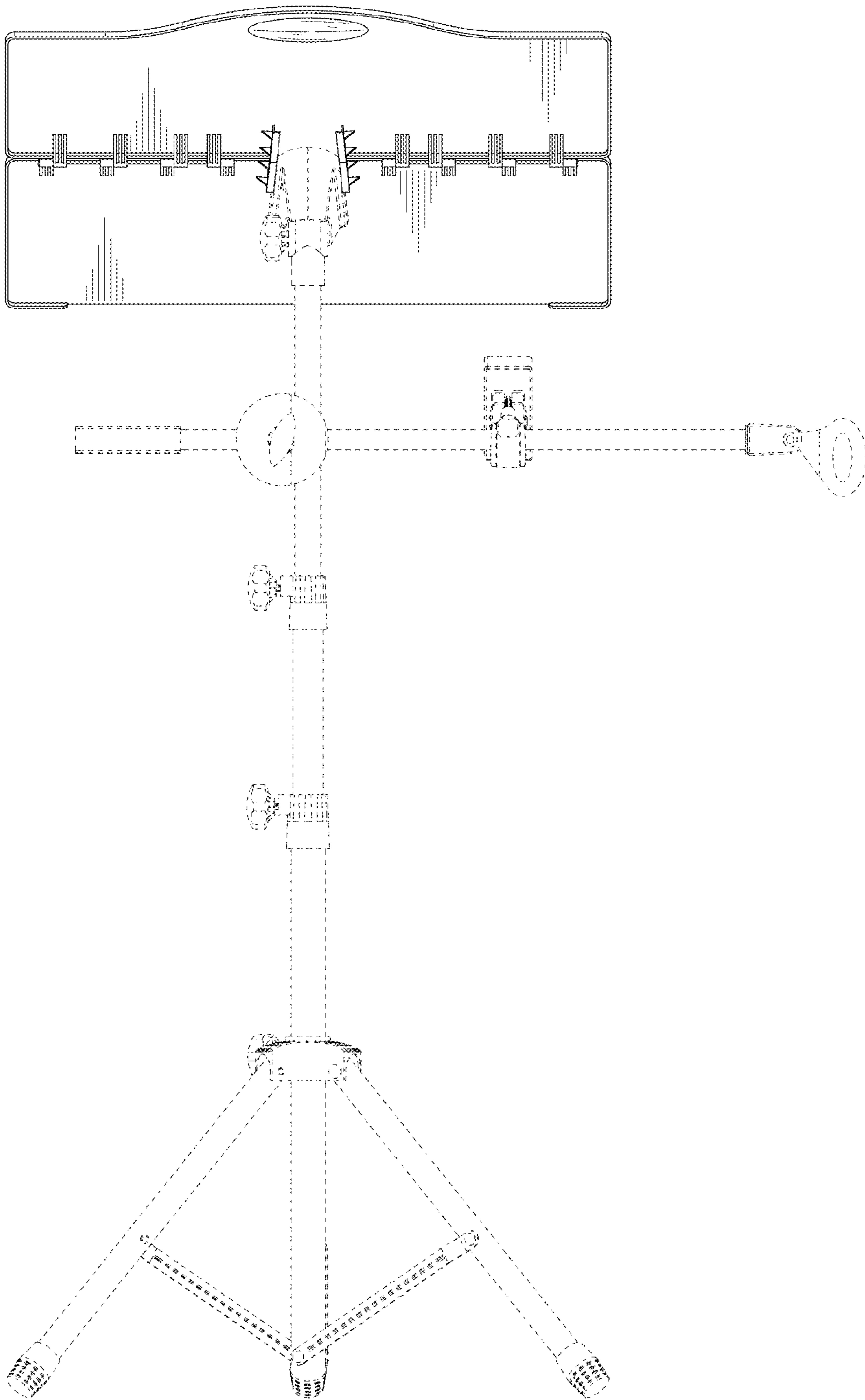


FIG. 4

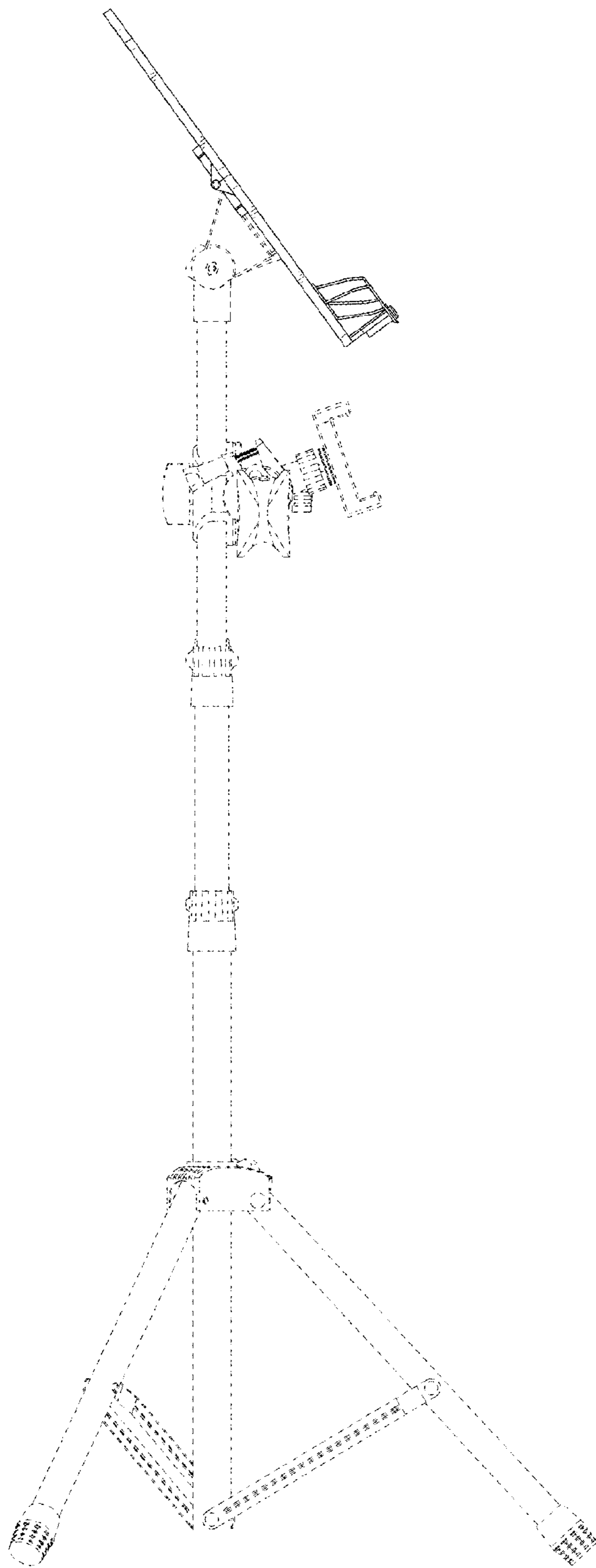


FIG. 5



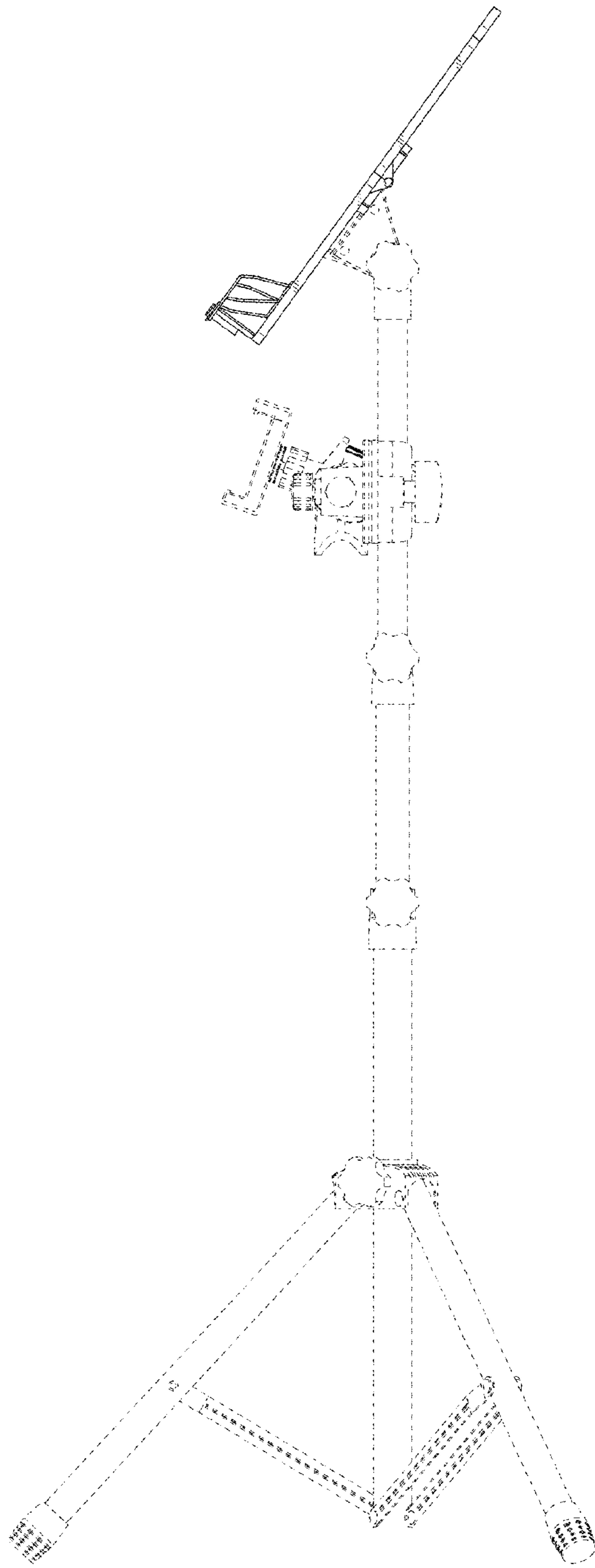


FIG. 6

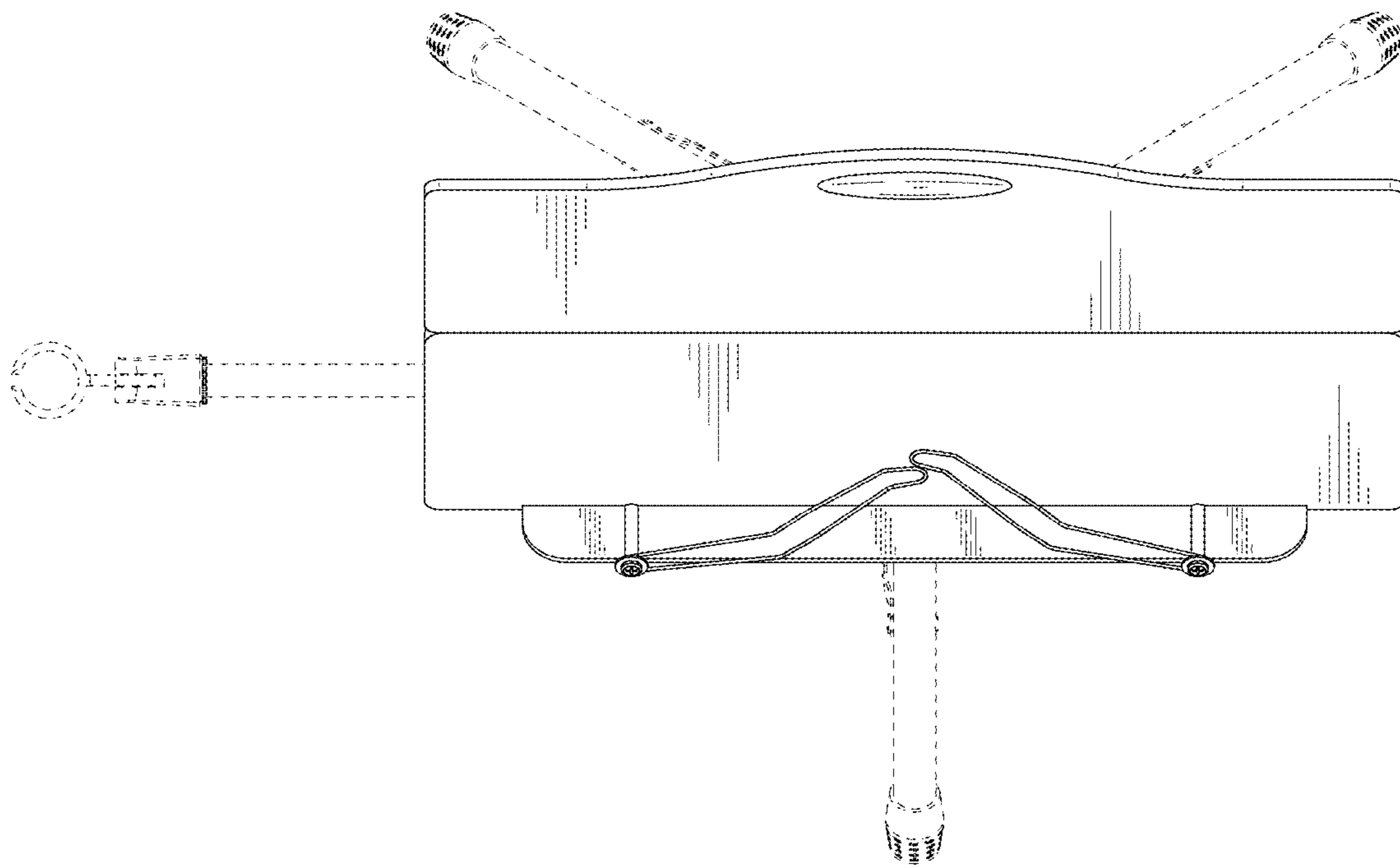


FIG. 7



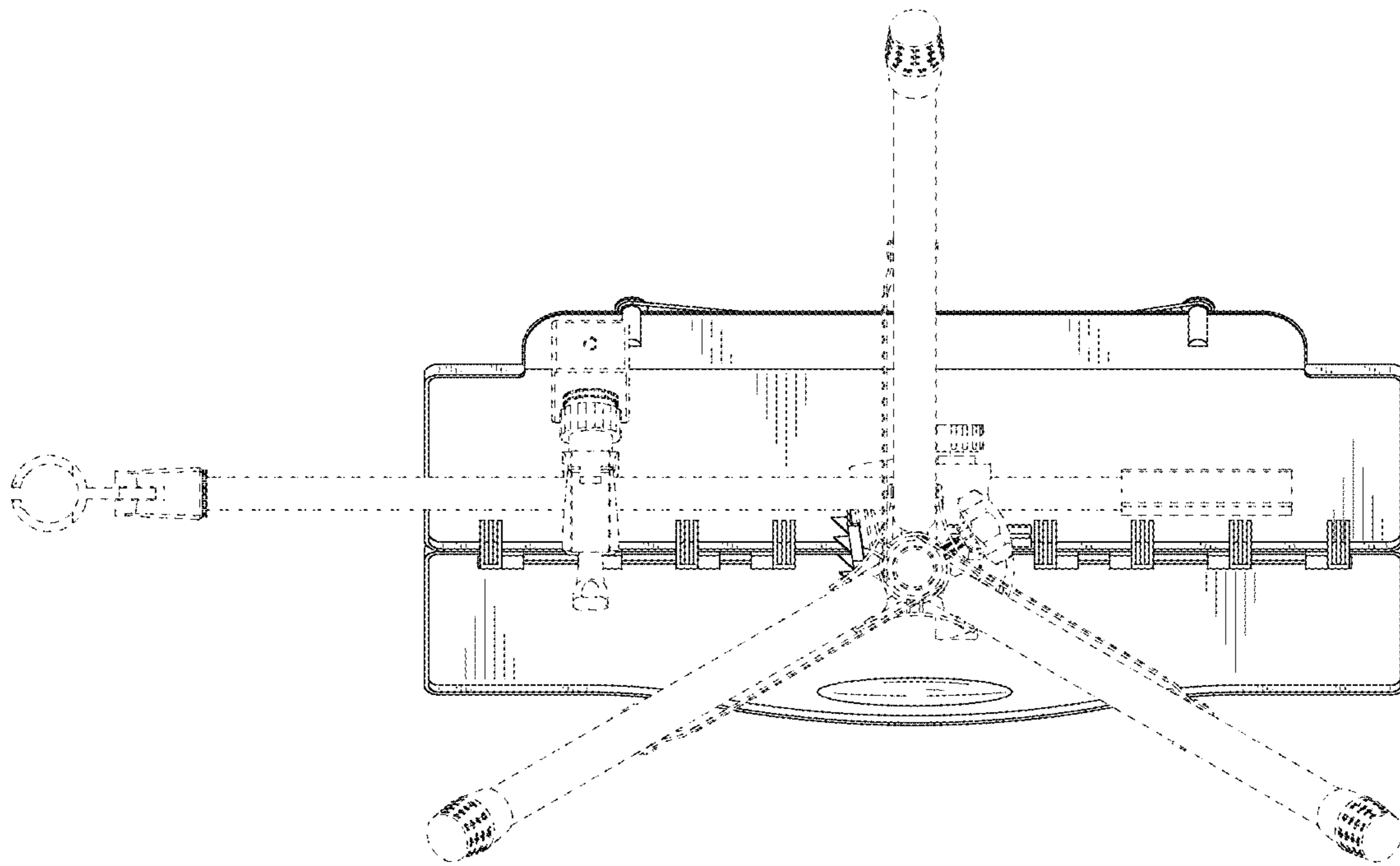


FIG. 8

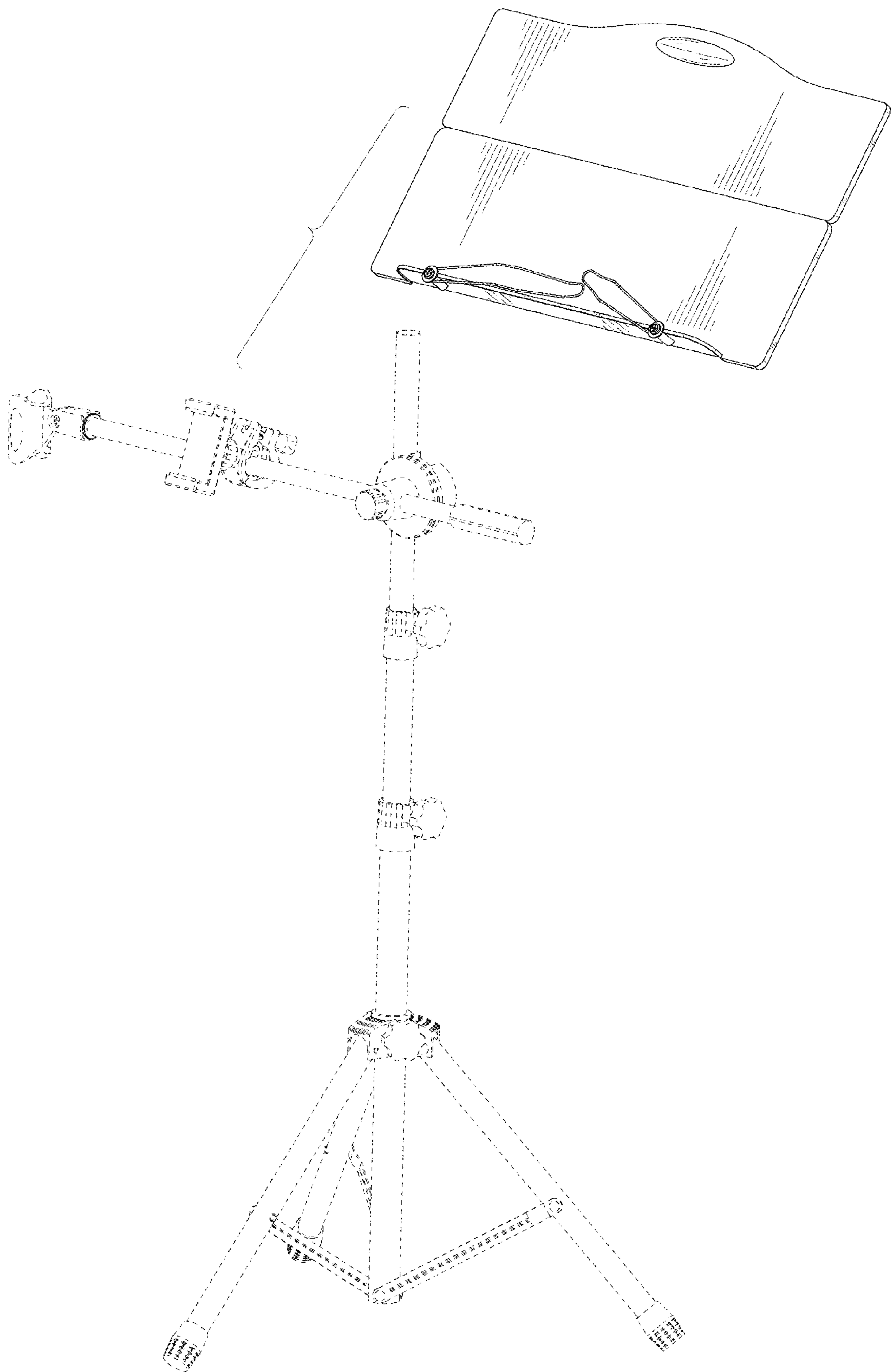


FIG. 9

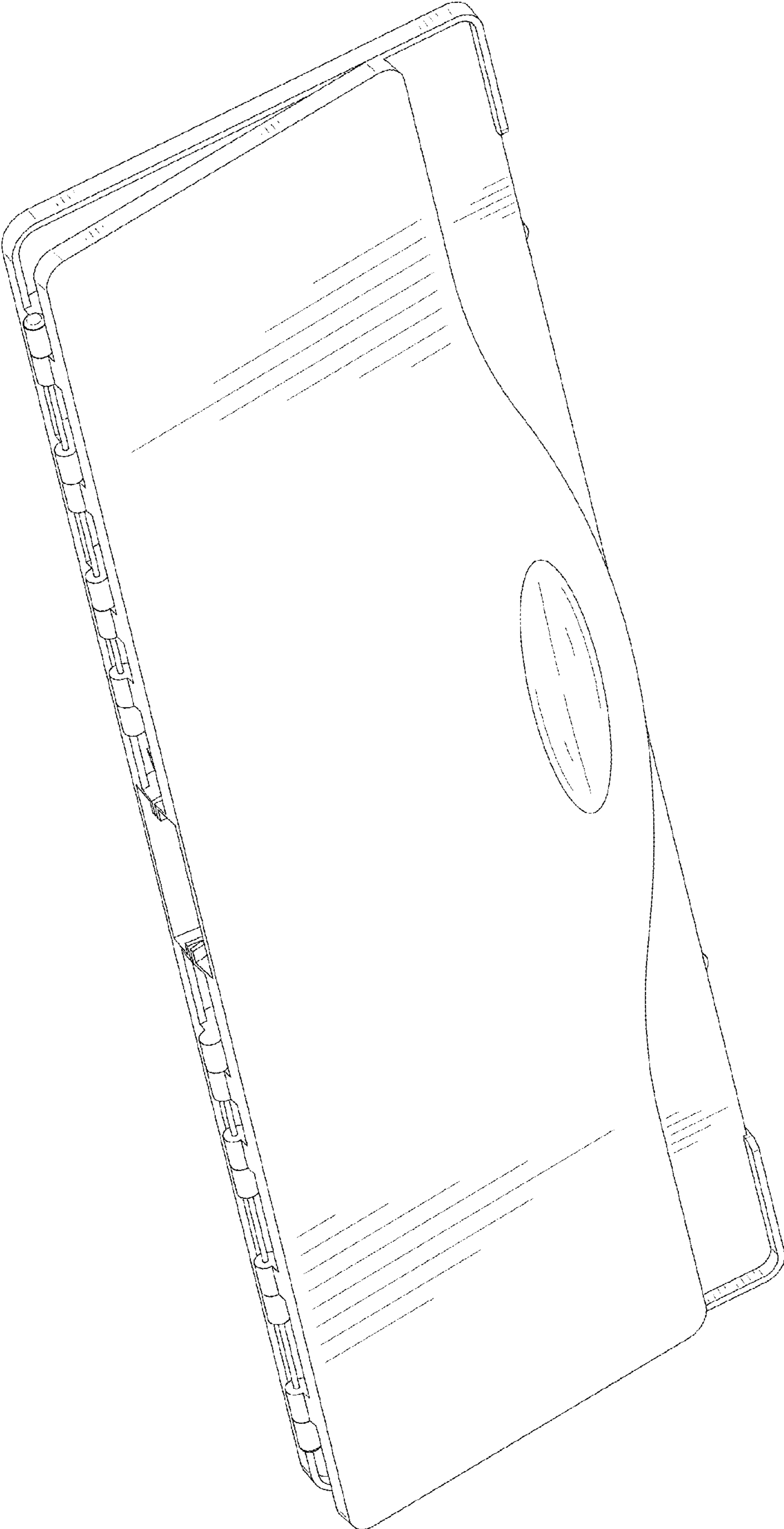


FIG. 10

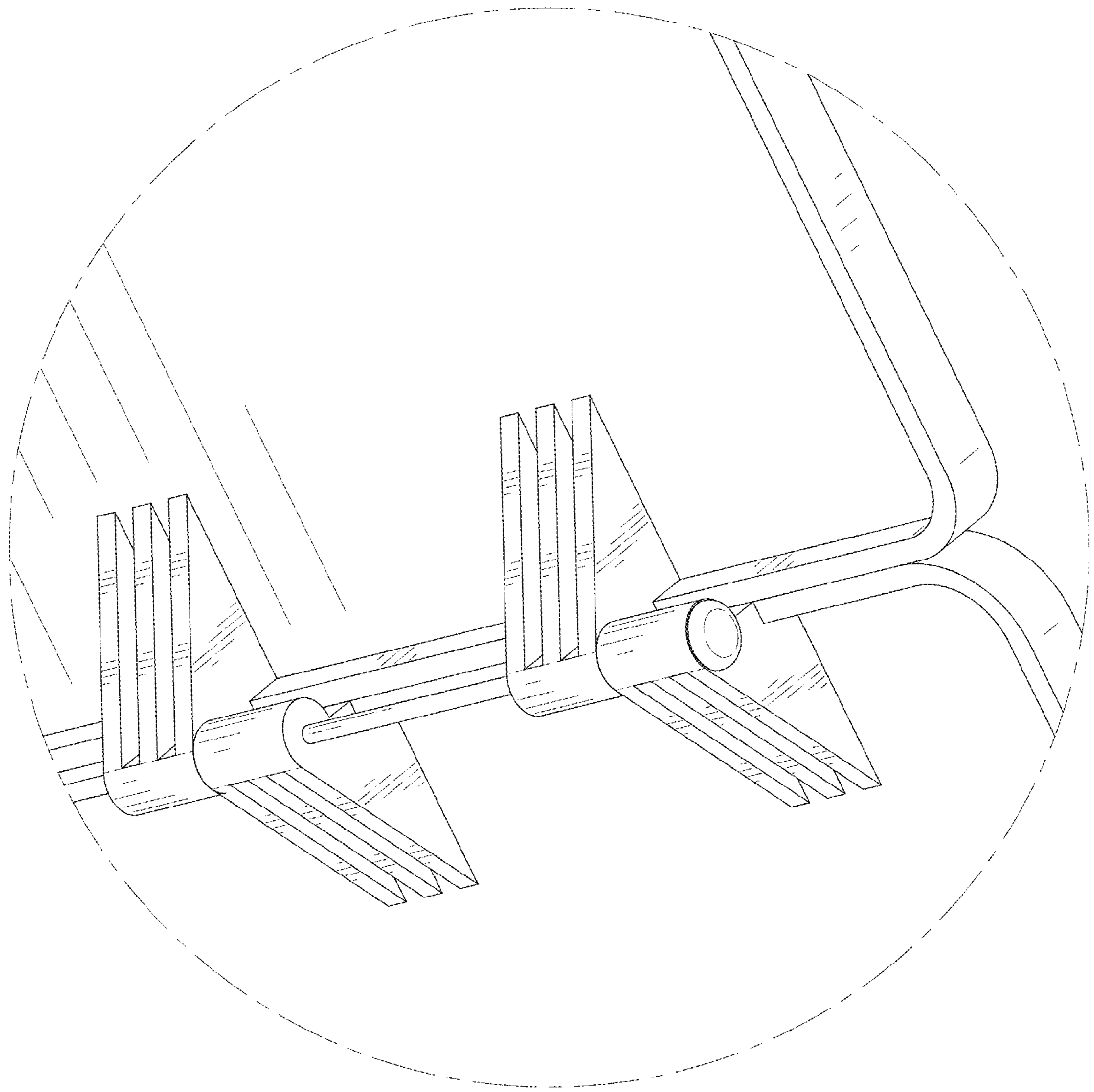


FIG. 11