



US00D963383S

(12) **United States Design Patent** (10) **Patent No.:** **US D963,383 S**  
**Hong et al.** (45) **Date of Patent:** **\*\* Sep. 13, 2022**

(54) **DIGITAL SIGNAGE INTEGRATED DISPLAY STAND**

(71) Applicant: **LG ELECTRONICS INC.**, Seoul (KR)  
(72) Inventors: **Hyeyoung Hong**, Seoul (KR); **Yongho Lee**, Seoul (KR)  
(73) Assignee: **LG ELECTRONICS INC.**, Seoul (KR)  
(\*\*) Term: **15 Years**

(21) Appl. No.: **29/759,181**  
(22) Filed: **Nov. 20, 2020**

(30) **Foreign Application Priority Data**

Jun. 25, 2020 (KR) ..... 30-2020-0028986

(51) **LOC (13) Cl.** ..... **06-04**

(52) **U.S. Cl.**  
USPC ..... **D6/672; D20/19**

(58) **Field of Classification Search**  
USPC ... D6/667, 672, 673, 675-675.5, 676-676.5, D6/677-677.5, 678-678.4, 687, D6/690-697.3, 691.5, 691.1; D20/19, 21, D20/27, 28, 41, 42  
CPC ..... A47B 46/00; A47B 49/00; A47B 7/02; A47F 5/0043; A47F 5/008; A47F 3/00; A47F 3/004; A47F 5/0018; A47F 5/00  
See application file for complete search history.

(56) **References Cited**

**U.S. PATENT DOCUMENTS**

2,867,048 A \* 1/1959 Holtzman ..... B65D 5/5286 D6/682.2  
3,856,320 A \* 12/1974 Blanchard ..... B62B 3/02 211/49.1  
D244,412 S \* 5/1977 Messenger ..... D6/675.4  
(Continued)

**OTHER PUBLICATIONS**

Transparent OLED Signage by LG, first available: Apr. 26, 2019. Provideocoalition.com [online], [site visited Mar. 21, 2022], Internet URL: <https://www.provideocoalition.com/nab-2019-transparent-oled-display/> (Year: 2019).\*

(Continued)

*Primary Examiner* — Steven J Czyz  
*Assistant Examiner* — Hillary Catherine Shepard  
(74) *Attorney, Agent, or Firm* — Birch, Stewart, Kolasch & Birch, LLP

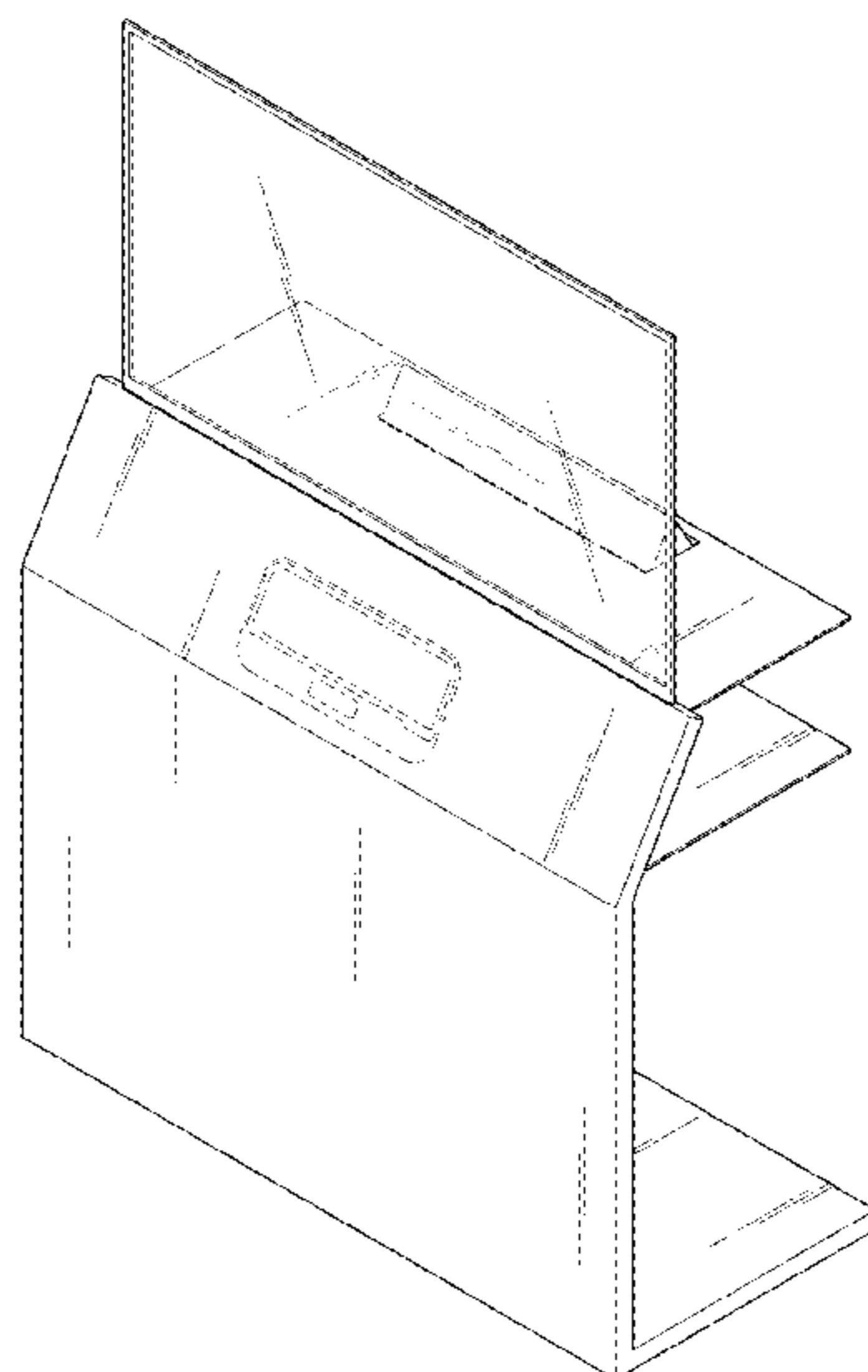
(57) **CLAIM**

We claim the ornamental design for a digital signage integrated display stand, as shown and described.

**DESCRIPTION**

FIG. 1 is a perspective view of a digital signage integrated display stand showing the new design; FIG. 2 is a front elevation view thereof; FIG. 3 is a rear elevation view thereof; FIG. 4 is a left-side elevation view thereof; FIG. 5 is a right-side elevation view thereof; FIG. 6 is a top plan view thereof; FIG. 7 is a bottom plan view thereof; FIG. 8 is a perspective view showing a state in which product information is displayed on the screen; and, FIG. 9 is a perspective view showing a state of use thereof. The broken lines in FIGS. 1, 2, 6, 8 and 9 depict portions of the digital signage integrated display stand that form no part of the claimed design. The broken lines in FIG. 8 showing product information and in FIG. 9 showing a second display stand are for the purpose of illustrating an environment of use and form no part of the claimed design.

**1 Claim, 9 Drawing Sheets**



(56)

References Cited

U.S. PATENT DOCUMENTS

D257,993 S \* 1/1981 DeMars ..... 211/88.01  
 D354,520 S \* 1/1995 Pong ..... D19/91  
 D391,565 S \* 3/1998 Nanjo ..... D20/10  
 D396,170 S \* 7/1998 Conway ..... D7/590  
 D412,074 S \* 7/1999 DeWitt ..... D6/672  
 D500,813 S \* 1/2005 Alegre ..... D20/42  
 D507,131 S \* 7/2005 Pingel ..... D6/702  
 D622,322 S \* 8/2010 Hussain ..... D20/42  
 D698,393 S \* 1/2014 Marukos ..... D20/43  
 D716,870 S \* 11/2014 Jungst ..... D19/91  
 D722,794 S \* 2/2015 Luong ..... D20/19  
 D758,106 S \* 6/2016 Hamm ..... D6/672  
 9,538,859 B1 \* 1/2017 Johnson ..... A47F 5/0043  
 D806,448 S \* 1/2018 Burton ..... D6/657  
 D812,028 S \* 3/2018 Kim ..... D14/126  
 D866,227 S \* 11/2019 Burton ..... D6/672

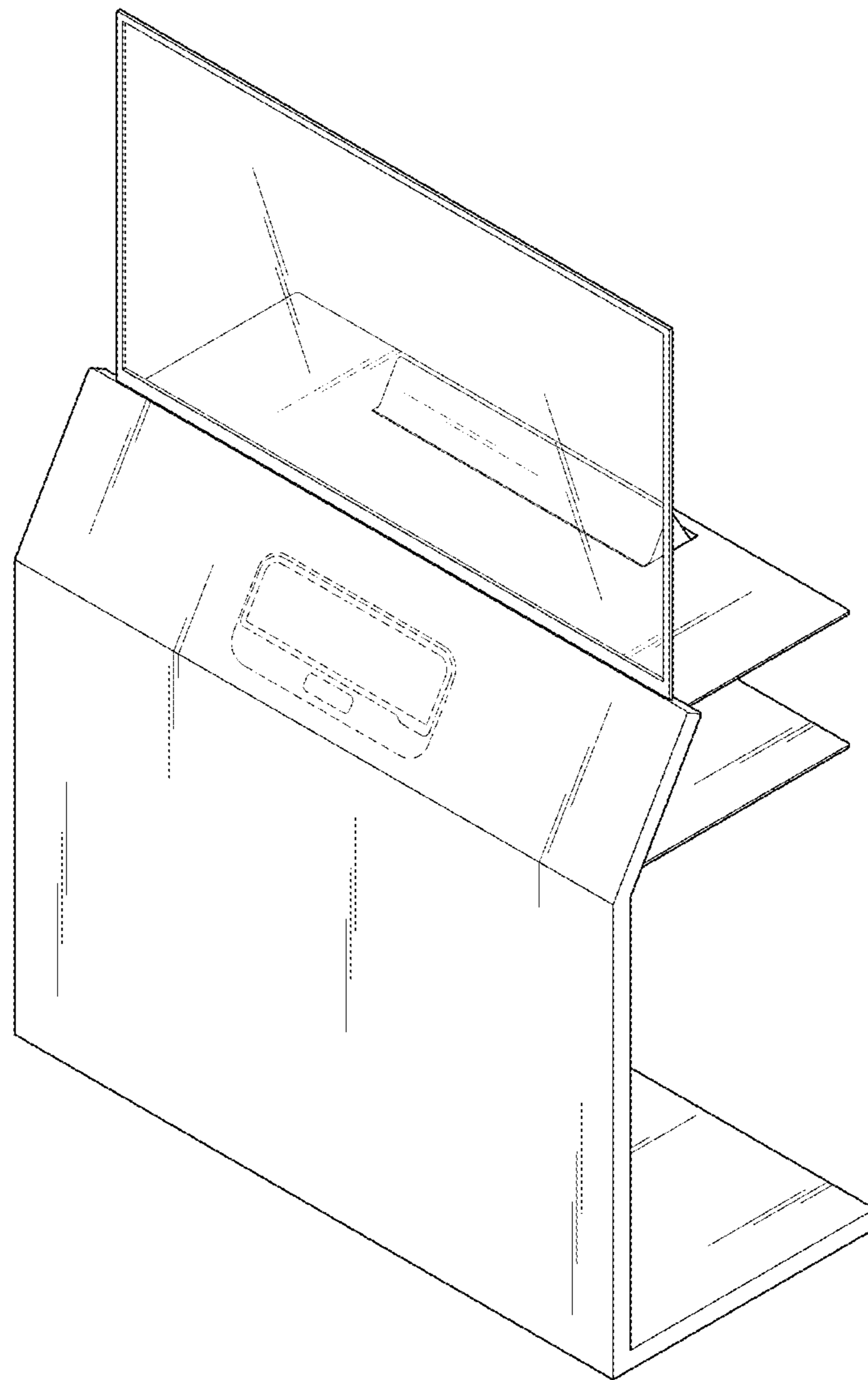
D896,783 S \* 9/2020 Seefeldt ..... D14/210  
 D900,515 S \* 11/2020 Johnson ..... D6/675.1  
 D901,948 S \* 11/2020 Burton ..... D6/675  
 D903,383 S \* 12/2020 Burton ..... D6/672  
 D921,757 S \* 6/2021 Lee ..... D20/39  
 D924,222 S \* 7/2021 Lee ..... D14/307  
 D924,223 S \* 7/2021 You ..... D14/307  
 D938,927 S \* 12/2021 Breuer ..... D14/126  
 D942,157 S \* 2/2022 Holzmann ..... D6/300  
 D949,973 S \* 4/2022 You ..... D14/126

OTHER PUBLICATIONS

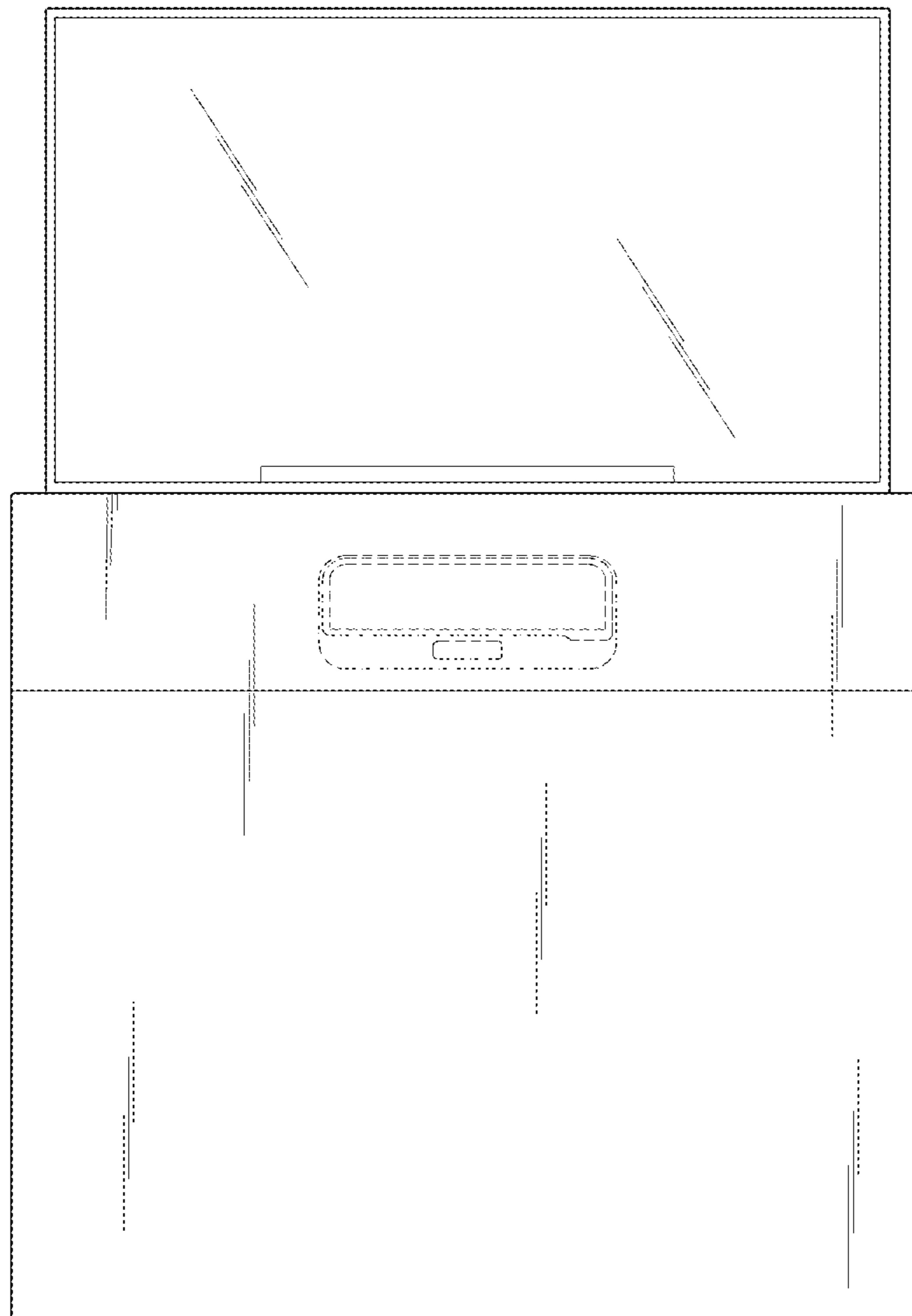
Transparent OLED Display by Planar LookThru, first available:  
 Apr. 22, 2020. Youtube.com [online], [site visited Mar. 21, 2022],  
 Internet URL: <https://www.youtube.com/watch?v=tPGhBrCQ3Ck>  
 (Year: 2020).\*

\* cited by examiner

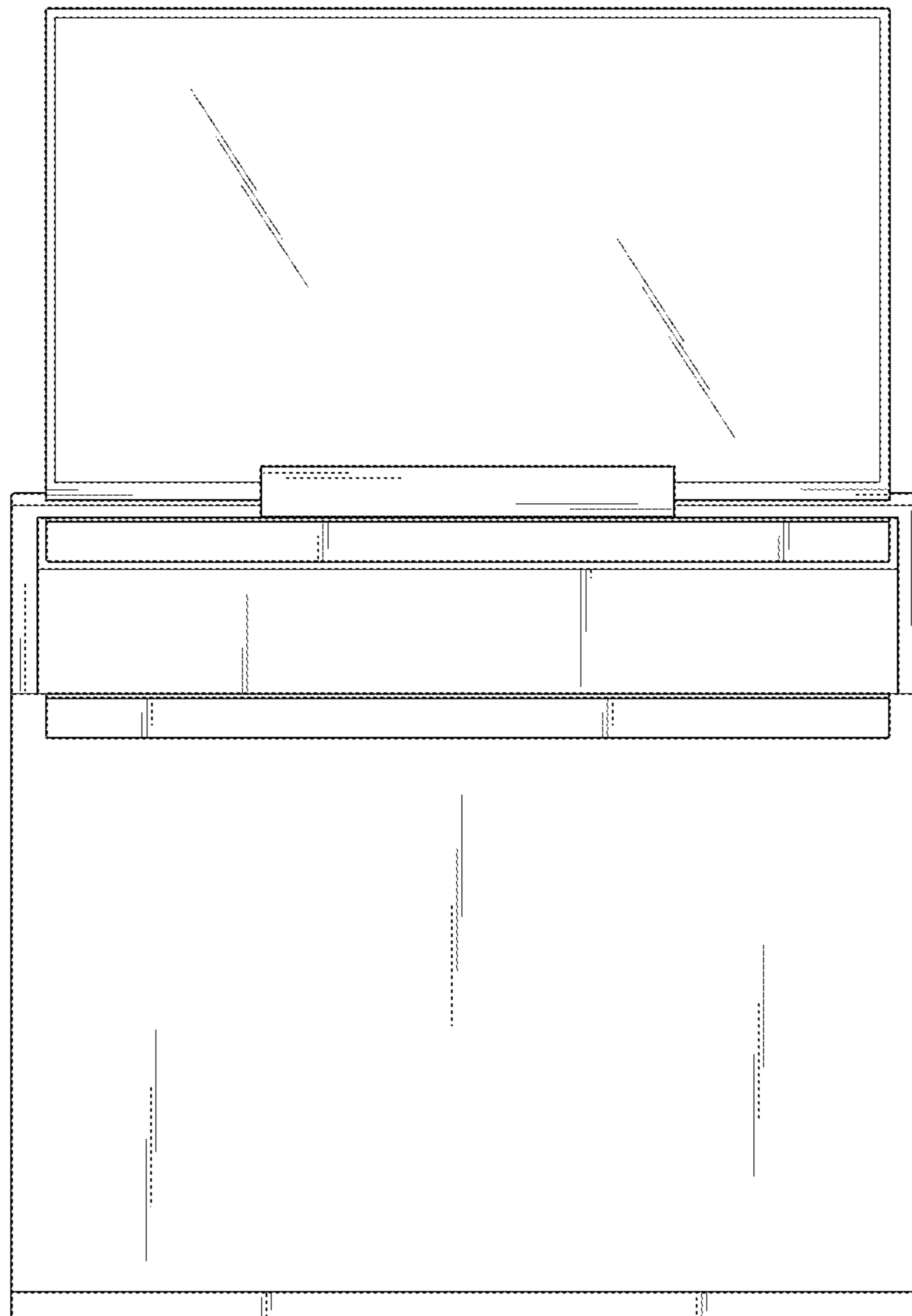
*FIG. 1*



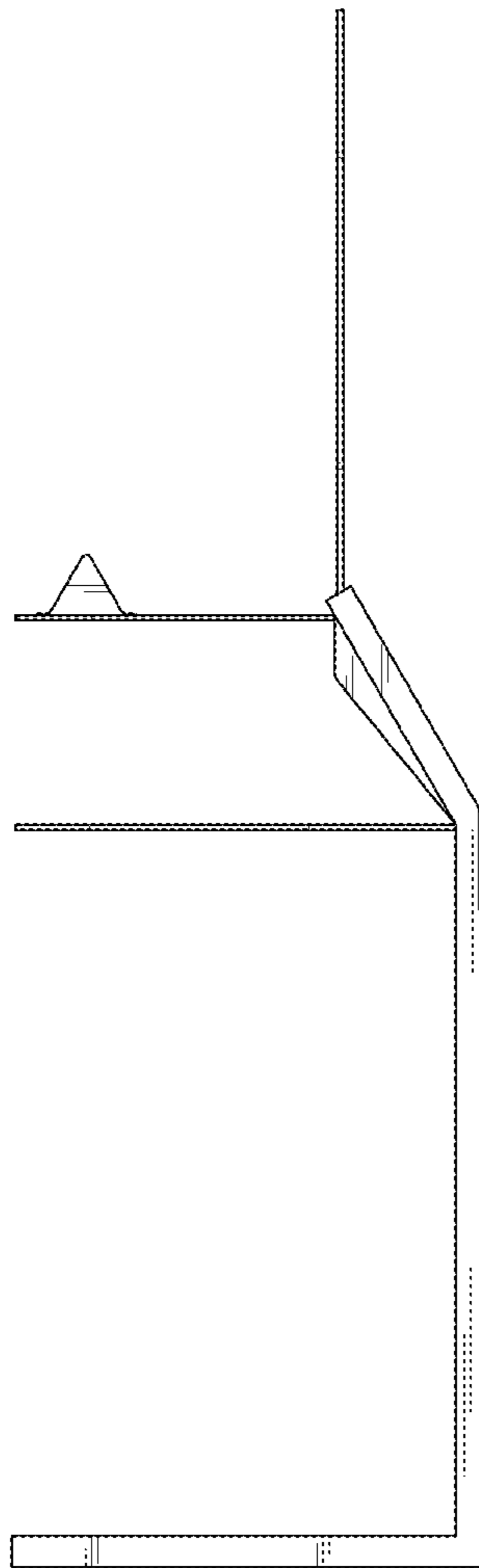
*FIG. 2*



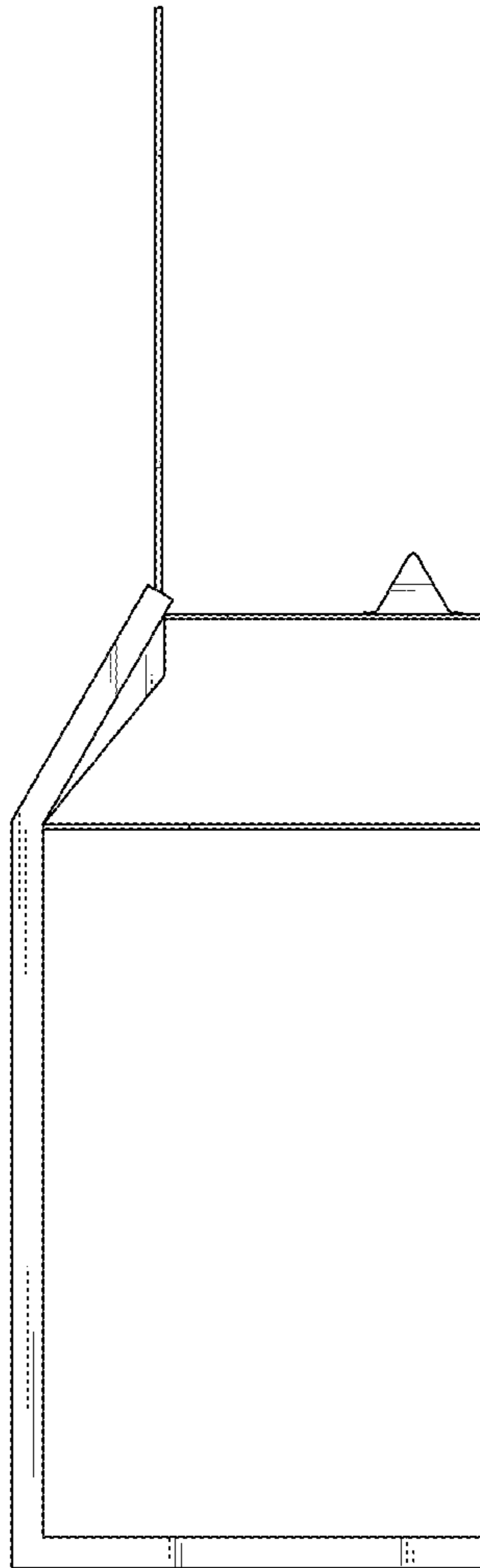
*FIG. 3*



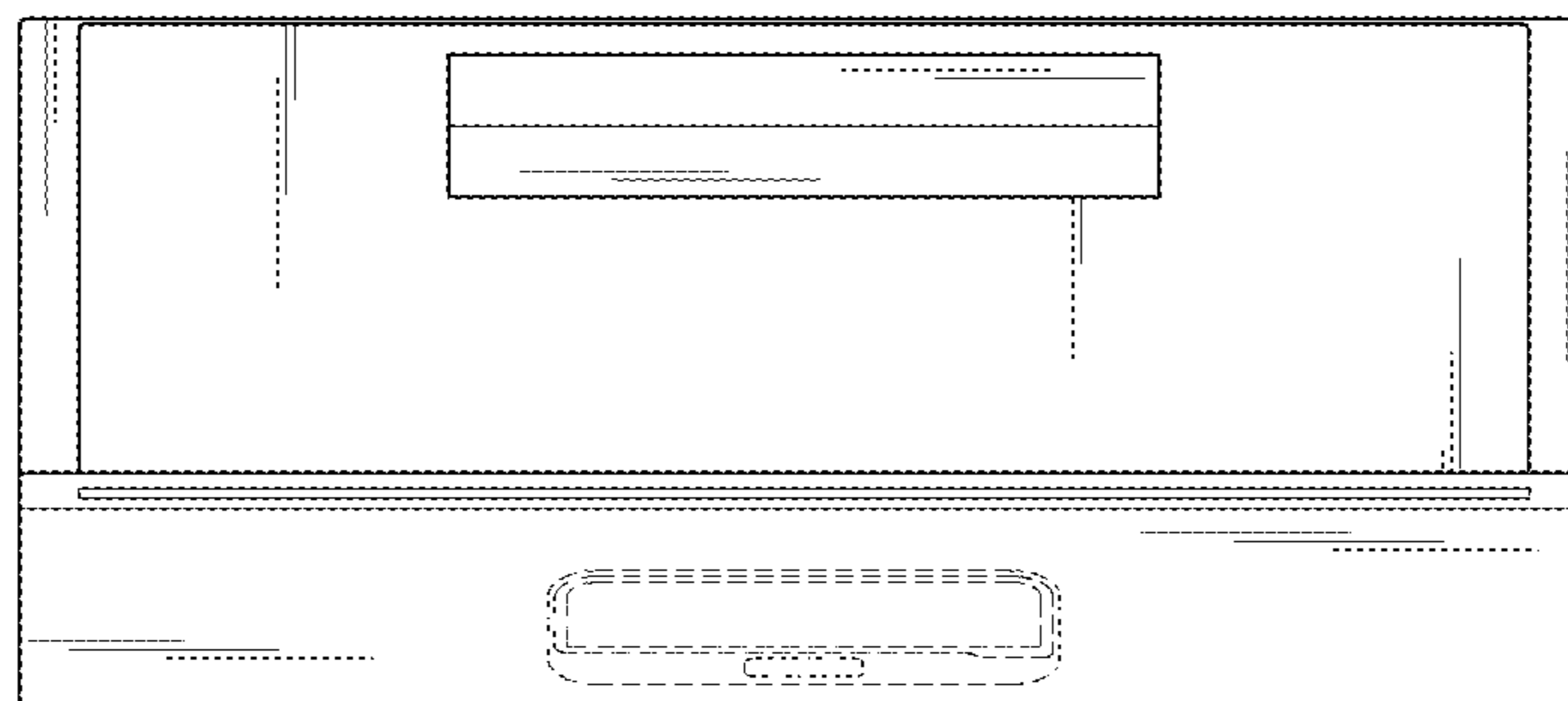
*FIG. 4*



*FIG. 5*

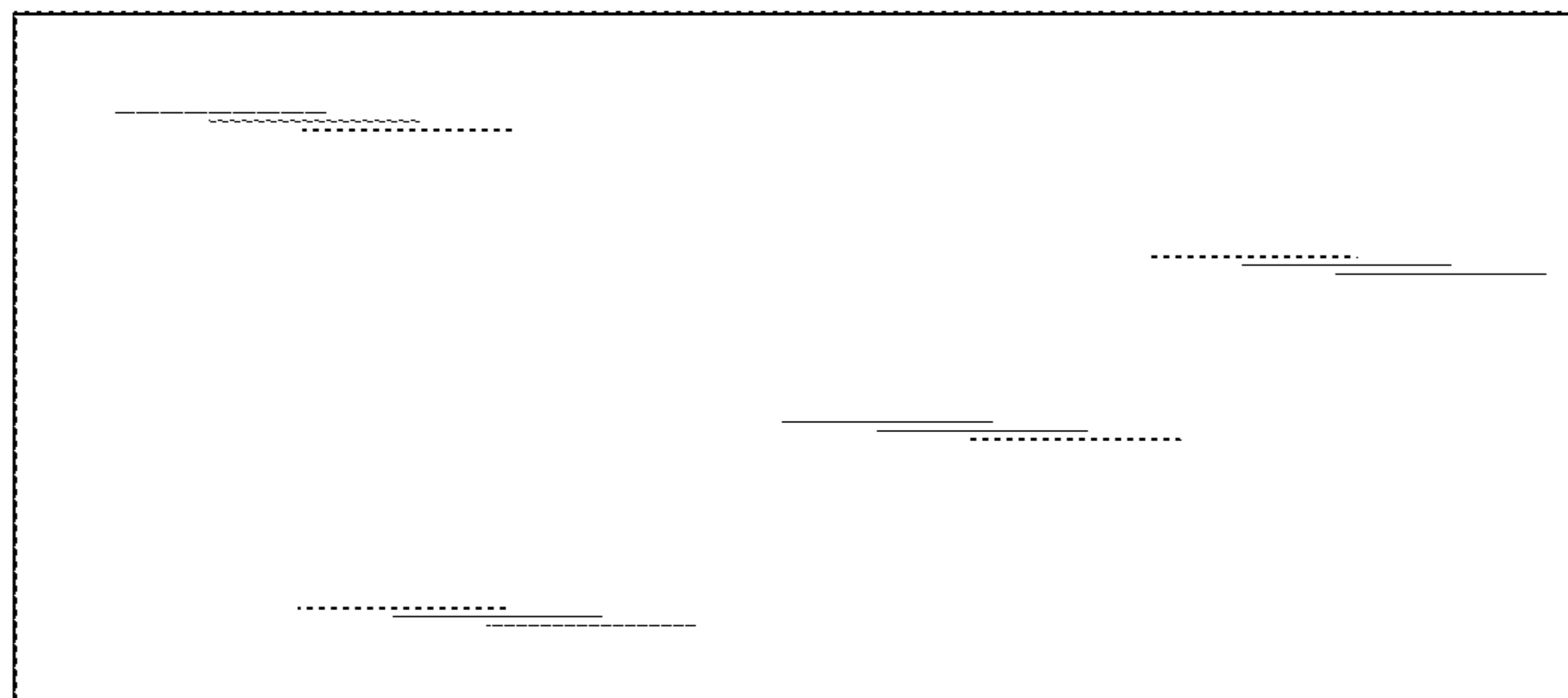


*FIG. 6*

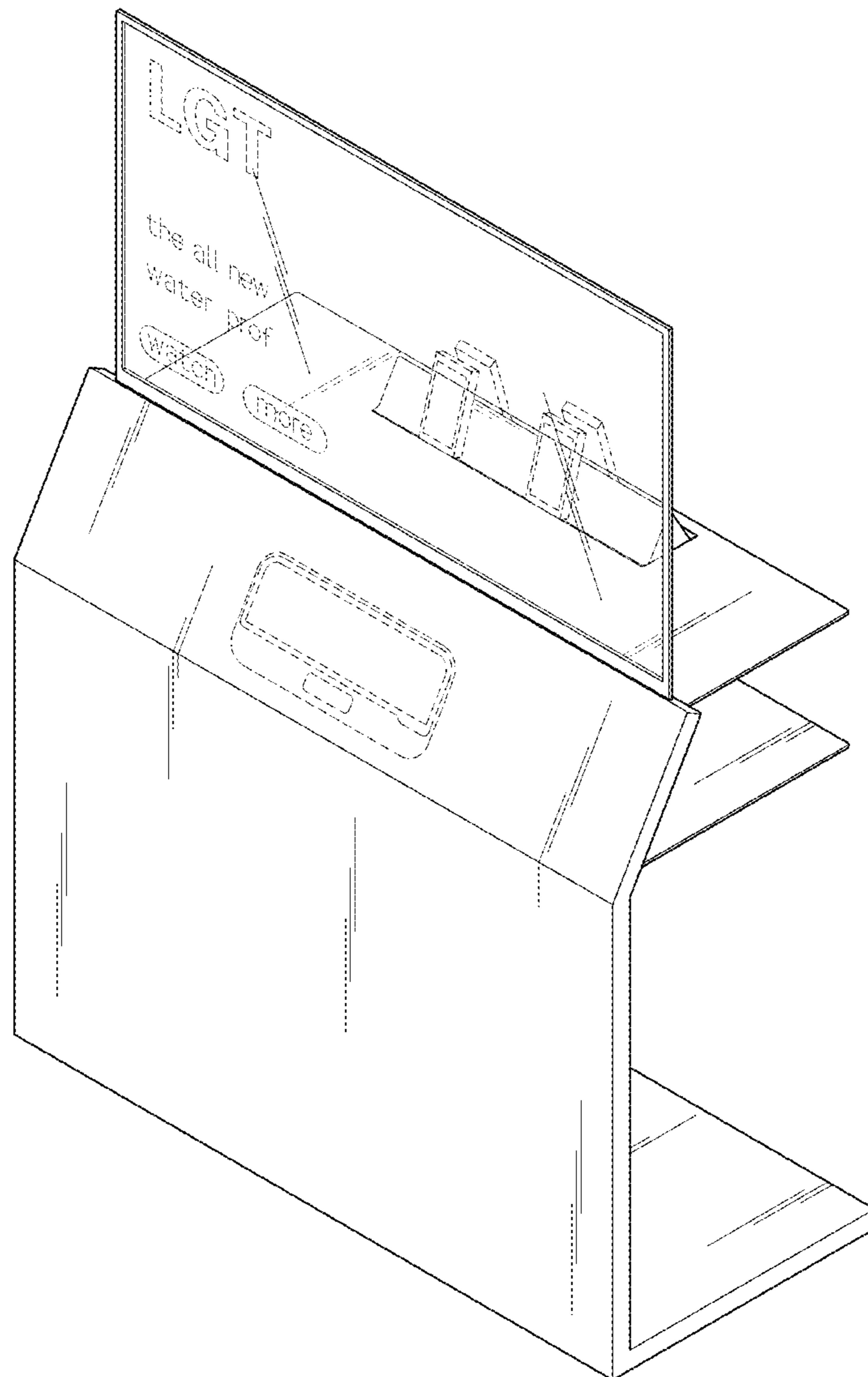




*FIG. 7*



*FIG. 8*



*FIG. 9*

