



US00D963381S

(12) **United States Design Patent** (10) **Patent No.:** **US D963,381 S**
Davis et al. (45) **Date of Patent:** **** Sep. 13, 2022**

(54) **CONSOLE**

(71) Applicant: **WALKER EDISON FURNITURE COMPANY LLC**, Salt Lake City, UT (US)

(72) Inventors: **Matthew Davis**, Millcreek, UT (US);
Brad Bonham, Draper, UT (US);
Richard Packer, Kaysville, UT (US);
Alexa Naylor, South Jordan, UT (US)

(73) Assignee: **Walker Edison Furniture Company LLC**, West Jordan, UT (US)

(**) Term: **15 Years**

(21) Appl. No.: **29/720,942**

(22) Filed: **Jan. 16, 2020**

(51) **LOC (13) Cl.** **06-04**

(52) **U.S. Cl.**
USPC **D6/661**

(58) **Field of Classification Search**
USPC D6/661, 657, 660, 662, 662.1, 663, 671, D6/671.1, 671.2
CPC ... A47B 67/00; A47B 67/04; A47B 2220/072; A47B 2220/01; A47B 85/00; A47B 81/06; A47B 83/00; A47B 17/00; A47B 47/03; A47F 3/00; A47F 7/005

See application file for complete search history.

(56) **References Cited**

U.S. PATENT DOCUMENTS

245,925 A 8/1881 Kinsley
309,799 A 12/1884 Poulson
887,168 A 5/1908 Will
1,097,697 A 5/1914 Weston
D47,441 S 6/1915 Ullin
D47,600 S 7/1915 Koch
D56,556 S 11/1920 Gray
D61,344 S 8/1922 Mayer
1,475,088 A 11/1923 Specht et al.

D64,390 S 4/1924 Arons
D64,922 S 6/1924 Naill
D66,028 S 11/1924 Lyons et al.
D66,889 S 3/1925 Schleicher
1,538,393 A 5/1925 Martin
(Continued)

FOREIGN PATENT DOCUMENTS

CN 304163895 9/2017
CN 304770575 8/2018
(Continued)

OTHER PUBLICATIONS

Tier Top Fireplace by The Gray Barn, first available: Oct. 1, 2020. Overstock.com [online], [site visited Jan. 10, 2022], Internet URL: <https://www.overstock.com/Home-Garden/The-Gray-Barn-70-Tiered-Top-Open-Shelf-Fireplace-TV-Console-70-x-16-x-26H/28790042/product.html> (Year: 2020).*

(Continued)

Primary Examiner — Steven J Czyz
Assistant Examiner — Hillary Catherine Shepard
(74) *Attorney, Agent, or Firm* — Workman Nydegger

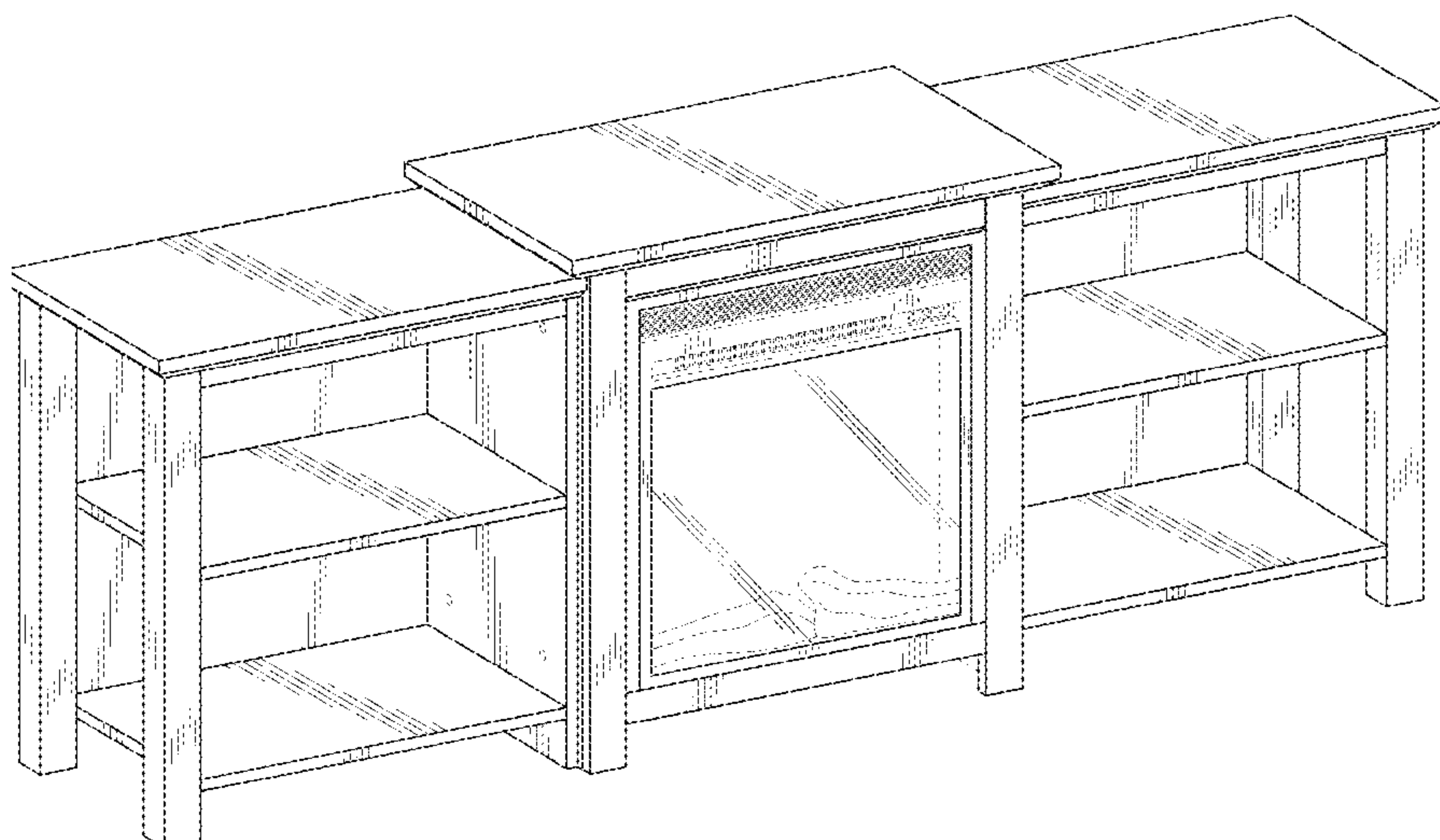
(57) **CLAIM**

The ornamental design for a console, as shown and described.

DESCRIPTION

FIG. 1 is a front perspective view of a console showing the new design;
FIG. 2 is a front elevation view thereof;
FIG. 3 is a back elevation view thereof;
FIG. 4 is a top plan view thereof;
FIG. 5 is a bottom plan view thereof;
FIG. 6 is a right elevation view thereof; and,
FIG. 7 is a left elevation view thereof.
The broken lines in the drawings are for the purpose of illustrating portions of the article that form no part of the claimed design.

1 Claim, 4 Drawing Sheets



(56)

References Cited

U.S. PATENT DOCUMENTS

D68,065 S	8/1925	Schleicher	D319,743 S	9/1991	Grey
D68,659 S	11/1925	Smith	D321,571 S	11/1991	Lucariello
D78,127 S	3/1929	Schleicher	D322,184 S	12/1991	Prevedello
D103,250 S	2/1937	Parrish	D325,680 S	4/1992	Kiiski
2,099,387 A	11/1937	Cohn	D327,735 S	7/1992	Smith
2,132,608 A	10/1938	Eaton	D328,341 S	7/1992	Chiu
D120,370 S	5/1940	Bach	D329,693 S	9/1992	Mills
2,207,307 A	7/1940	Teller	D330,470 S	10/1992	Bennett
D165,241 S	11/1951	Porter	D336,184 S	6/1993	Borgen
D166,077 S	3/1952	Haas	D336,392 S	6/1993	Whalen
2,696,419 A	12/1954	Wallance	D347,754 S	6/1994	Mehlin
D175,869 S	10/1955	Trout	D348,576 S	7/1994	Narramore
2,743,720 A	5/1956	Dollinger	D348,726 S	7/1994	Wilson
D182,832 S	5/1958	Lubberts	D353,960 S	1/1995	Barfield
D182,836 S	5/1958	Lubberts	5,409,122 A	4/1995	Lazarus
2,836,871 A	6/1958	Sidney	5,452,812 A	9/1995	Niequist
2,850,346 A	9/1958	Holderle	D363,176 S	10/1995	Berry
D183,788 S	10/1958	Carter et al.	D363,841 S	11/1995	Nourse
2,884,675 A	5/1959	Richard	D364,055 S	11/1995	Pakla
D186,115 S	9/1959	Church	D364,064 S	11/1995	Lorenz
2,918,176 A	12/1959	Bell	5,463,966 A	11/1995	Nilsson
D187,232 S	2/1960	Matyas	D365,472 S	12/1995	Rehnberg
D188,196 S	6/1960	Lubberts	D366,110 S	1/1996	Darr
D188,197 S	6/1960	Swarts	D367,383 S	2/1996	Hatrick-Smith
3,039,621 A	6/1962	Pilcher	D373,693 S	9/1996	Elhage
D193,516 S *	9/1962	Deaton D6/657	5,628,256 A	5/1997	Lazarus
D195,726 S	7/1963	Harper	D384,227 S	9/1997	Grosfillex
D196,451 S	10/1963	McMullen	D385,431 S	10/1997	Lee
3,217,671 A	11/1965	Walsh	5,695,081 A	12/1997	Alkalay
3,272,582 A	9/1966	Anderson et al.	D389,343 S	1/1998	Van Der Merwe
3,352,615 A	11/1967	Sandin	D390,936 S	2/1998	French
3,354,878 A	11/1967	Balls	5,752,500 A	5/1998	Jamieson
3,369,278 A	2/1968	Humphreys	5,765,265 A	6/1998	Kang
D220,704 S	5/1971	Kramer	5,782,231 A	7/1998	Wade
3,589,746 A	6/1971	Inglis	D398,788 S	9/1998	Schubert
RE27,186 E	10/1971	Ferdinand	5,833,084 A	11/1998	Chang
RE27,200 E	10/1971	Ferdinand et al.	D403,529 S	1/1999	De Blaay
3,688,707 A	9/1972	Maurice	D404,937 S	2/1999	Tarlow
3,762,789 A	10/1973	Robertson	D407,577 S	4/1999	Dorst
3,766,863 A	10/1973	Swick	D408,174 S	4/1999	Aspenwall
D230,446 S	2/1974	Price	D420,114 S	2/2000	Johnson
D233,294 S	10/1974	Goulder	D423,810 S	5/2000	Dorst
3,855,637 A	12/1974	Luger	D423,813 S	5/2000	Paus
D236,676 S	9/1975	Urti	D425,330 S	5/2000	O'Hare
D236,781 S	9/1975	Cowley	6,074,029 A	6/2000	Snoke
D238,277 S	12/1975	Parker	D428,609 S	7/2000	Williams
D239,352 S	3/1976	Petrick	D430,431 S	9/2000	Walter
D240,381 S	7/1976	Tazaki	D438,727 S	3/2001	McDaniel
D244,112 S	4/1977	Friedman	D440,079 S	4/2001	Wohlford
D244,113 S	4/1977	Friedman	D446,047 S	8/2001	Stone
D248,429 S	9/1978	Robinson	D448,203 S	9/2001	Jeup
D249,429 S	9/1978	Robinson	D449,184 S	10/2001	Cain
D249,860 S	10/1978	Ungaro	D450,492 S	11/2001	Sabo
4,182,244 A	1/1980	Hutchins	D452,624 S	1/2002	de Blois
D259,316 S	5/1981	Offredi	D454,264 S	3/2002	Patik
D262,847 S	2/1982	Keller	D454,731 S	3/2002	Niitsu
D267,532 S	1/1983	Platner	D454,732 S	3/2002	Frenkler
D269,754 S	7/1983	Kates	D455,916 S	4/2002	Fluhrer
D270,858 S	10/1983	McInnes	6,393,207 B1	5/2002	Martin
D271,259 S	11/1983	Smith	D458,053 S	6/2002	Luong
D273,829 S	5/1984	Desnoyers	D462,008 S	8/2002	Stone
D274,152 S	6/1984	Fleming	D466,333 S	12/2002	Hwang
D281,901 S	12/1985	Demrick	6,515,262 B1	2/2003	Li
D283,182 S	4/1986	Marshall	D473,404 S	4/2003	De Blois
D283,343 S	4/1986	Thwaite	D475,225 S	6/2003	McBrayer
D289,474 S	4/1987	Underwood	D477,160 S	7/2003	Grosfillex
D293,177 S	12/1987	Hamami	D478,432 S	8/2003	Juneau
D293,521 S	1/1988	Handler	D479,925 S	9/2003	Hsieh
4,793,667 A	12/1988	Gilliom	D480,237 S	10/2003	de Carolis
D303,596 S	9/1989	Goetz	D485,450 S	1/2004	Smith
D304,982 S	12/1989	Bush	D485,709 S	1/2004	de Blois
D305,930 S	2/1990	MacAleese	6,672,465 B2	1/2004	White
D306,106 S	2/1990	Bush	D486,015 S	2/2004	De Blois
D319,230 S	8/1991	Sugiyama	D492,989 S	7/2004	Beck
5,036,778 A	8/1991	Briosi	D495,527 S	9/2004	Walker
			D495,898 S	9/2004	Walker
			6,789,859 B1	9/2004	Ho
			D497,741 S	11/2004	Sexton
			D499,274 S	12/2004	Juneau

(56)

References Cited

U.S. PATENT DOCUMENTS

D499,281 S	12/2004	Yamaguchi	D609,503 S	2/2010	Hayes
D499,582 S	12/2004	McDiamid	D610,836 S	3/2010	Kohler
D499,583 S	12/2004	Anderson	D611,727 S	3/2010	Vail
D500,929 S	1/2005	Walker	D611,728 S	3/2010	Nielsen
D502,617 S	3/2005	Chang	D612,177 S	3/2010	Marietta
D503,570 S	4/2005	Anderson	D612,178 S	3/2010	Marietta
D507,428 S *	7/2005	Weatherly D6/662.1	D612,644 S	3/2010	Marietta
D507,899 S	8/2005	Rozenboom	D613,964 S	4/2010	Nielsen
D507,900 S	8/2005	Sexton	D614,888 S	5/2010	Sexton
D508,801 S	8/2005	Holst	D615,771 S	5/2010	Kohler
D510,211 S	10/2005	Welborn, Jr.	D615,772 S	5/2010	Day
D517,349 S	3/2006	Lara	D617,577 S	6/2010	Day
D518,978 S	4/2006	Katz	D618,015 S	6/2010	Sexton
D519,203 S	4/2006	Haas	D618,016 S	6/2010	Metcalf
D519,299 S	4/2006	Boudreau	D620,278 S	7/2010	Zambelli
D520,779 S	5/2006	DeBlois	D620,283 S	7/2010	Calco
D522,771 S	6/2006	Berry	D622,834 S	8/2010	Jiang
D522,773 S	6/2006	Becker	D623,442 S	9/2010	Zambelli
D524,080 S	7/2006	Stenhouse	D623,443 S	9/2010	Zambelli
D526,143 S	8/2006	Bruce	D623,876 S	9/2010	Zambelli
D528,327 S	9/2006	O'Reilly	D623,877 S	9/2010	Zambelli
D531,835 S	11/2006	Harwanko	D625,123 S	9/2010	Zambelli
D534,379 S	1/2007	Juneau	D630,453 S	1/2011	Rafieha
D534,998 S	1/2007	Charnick	D632,902 S	2/2011	Rafieha
D536,770 S	2/2007	Mayer	D638,922 S	5/2011	Zhou
D538,406 S	3/2007	Mayer	7,934,494 B1	5/2011	Schneider
D539,057 S	3/2007	Senda	D640,072 S	6/2011	Sexton
D539,565 S	4/2007	Sexton, III	D641,861 S	7/2011	Okamoto
D542,059 S	5/2007	Moyle	D644,853 S *	9/2011	Becker D6/661
D543,057 S	5/2007	Grady	D648,152 S	11/2011	Walker
D543,488 S	5/2007	Tobergte	8,079,311 B2	12/2011	Whalen
D543,728 S	6/2007	Becker	D652,232 S	1/2012	Walker
D548,488 S *	8/2007	Weatherly D6/661	D653,051 S	1/2012	Lin
D548,490 S	8/2007	Becker	D653,739 S	2/2012	Gibbs
D549,991 S	9/2007	Stravitz	D654,289 S	2/2012	Zambelli
D553,879 S	10/2007	Juneau	D654,995 S	2/2012	Asofsky
D554,393 S	11/2007	Yalif	D654,996 S	2/2012	Asofsky
D554,897 S	11/2007	Mayer	D655,946 S	3/2012	Sexton
D555,397 S	11/2007	Yalif	D658,750 S	5/2012	Nemes
D559,017 S	1/2008	Domack	8,191,485 B1	6/2012	Whalen
D559,583 S	1/2008	Zambelli	D663,137 S	7/2012	Andersen
D559,584 S	1/2008	Zambelli	D663,138 S	7/2012	Andersen
D559,585 S	1/2008	Lara	D665,897 S	8/2012	Martin
D560,077 S	1/2008	Zambelli	D666,281 S	8/2012	Nemes
D560,396 S	1/2008	Weatherly	D667,653 S	9/2012	Lenney
D560,403 S	1/2008	Domack	D667,654 S	9/2012	Lenney
D560,930 S	2/2008	Woodward	D668,475 S	10/2012	Zambelli
D561,317 S	2/2008	Ou	D669,704 S	10/2012	Zambelli
D562,597 S	2/2008	Weatherly	D669,706 S	10/2012	Zambelli
D564,261 S	3/2008	Sculler	D669,707 S	10/2012	Zambelli
D564,789 S	3/2008	deCarolis	D670,105 S	11/2012	Jespersen
D566,426 S	4/2008	Stenhouse	D671,769 S	12/2012	Olson
D567,346 S	4/2008	Lin	D674,891 S	1/2013	Huang
D586,585 S	2/2009	Hynes	D675,716 S	2/2013	Schwartz
D587,483 S	3/2009	Zambelli	D677,074 S	3/2013	Olson
D587,484 S	3/2009	Domack	D677,078 S	3/2013	Lambright
D587,497 S	3/2009	Zambelli	D687,250 S *	8/2013	Weatherly D6/661
D588,831 S	3/2009	Mohundro	D694,873 S	12/2013	Nemes
D589,280 S	3/2009	Zambelli	D696,758 S	12/2013	Ernst
D591,533 S	5/2009	Karsson	8,607,776 B2	12/2013	Jansson
D592,432 S	5/2009	Sexton	8,813,656 B1	8/2014	Hazzard
7,530,538 B2	5/2009	Whalen	D716,288 S	10/2014	O'Heron
D593,776 S	6/2009	Sexton	D717,081 S	11/2014	Dworman
D594,248 S	6/2009	Zambelli	D717,569 S	11/2014	Davis
D595,979 S	7/2009	Schweikarth	D718,956 S	12/2014	Helser
D598,672 S	8/2009	Maly	D718,957 S *	12/2014	Heiser D6/661
D600,946 S	9/2009	Day	D719,384 S	12/2014	Sowers
D601,370 S	10/2009	Kohler	D720,563 S *	1/2015	Burden D6/671.1
D604,546 S	11/2009	Alman	D722,458 S	2/2015	Chen
D605,030 S	12/2009	Kohler	D723,148 S	2/2015	Lawrence
D605,874 S	12/2009	Zambelli	D723,843 S	3/2015	Lai
D606,331 S	12/2009	Wicha	9,004,060 B2	4/2015	Benedetti
D607,243 S	1/2010	Sugiyama	D728,975 S	5/2015	Park
D607,244 S	1/2010	Nielsen	D730,089 S	5/2015	Carbone
D609,497 S	2/2010	Kanthasamy	D731,823 S	6/2015	Kelinske
			D736,012 S	8/2015	Davis
			D737,418 S	8/2015	Hrydovyy
			D738,477 S	9/2015	Nemes
			D738,647 S	9/2015	Muller

(56)

References Cited

U.S. PATENT DOCUMENTS

D741,090 S	10/2015	Ward	
D741,630 S	10/2015	Meissner	
D742,142 S	11/2015	Everson	
D742,662 S	11/2015	Muller	
D743,192 S	11/2015	Davis	
D746,614 S	1/2016	Sheppard	
D747,123 S *	1/2016	Zambelli	D6/660
D747,788 S	1/2016	Baker	
D747,900 S	1/2016	Sheppard	
9,228,742 B2	1/2016	Akiyama	
D748,768 S	2/2016	Stanton	
D752,905 S	4/2016	Healy	
D753,930 S	4/2016	Vengadkrishnan	
D757,350 S	5/2016	Levy	
D758,766 S	6/2016	Kirar	
D759,997 S	6/2016	Ruiz	
D767,752 S *	9/2016	Davis	D23/403
D767,753 S	9/2016	Edmund	
D767,921 S	10/2016	Burden	
D768,413 S	10/2016	Huang	
D773,862 S *	12/2016	Davis	D6/661
D775,866 S	1/2017	Ben Avi	
D777,479 S	1/2017	Anderson	
D778,641 S	2/2017	Anderson	
D778,646 S	2/2017	Davis	
D783,324 S	4/2017	Akana	
D791,302 S	7/2017	Davis	
D791,522 S	7/2017	Rodd	
D792,132 S	7/2017	Peota	
D793,776 S *	8/2017	Davis	D6/675
D798,640 S	10/2017	Anderson	
D804,861 S	12/2017	Failing	
D807,671 S	1/2018	Caillouet	
D808,203 S	1/2018	Davis	
D808,688 S	1/2018	Everson	
D808,690 S	1/2018	Hsu	
D812,938 S	3/2018	Moore	
D814,410 S	4/2018	Emslie	
D815,465 S	4/2018	Hannoosh	
D817,037 S	5/2018	Davis	
D817,038 S *	5/2018	Davis	D6/657
D817,040 S *	5/2018	Davis	D6/661
D817,666 S	5/2018	Davis	
D817,667 S *	5/2018	Davis	D6/661
D817,668 S	5/2018	Davis	
D818,750 S	5/2018	Hannoosh	
D821,038 S	6/2018	Rathman	
D824,703 S	8/2018	Yamamoto	
D825,232 S *	8/2018	Massaud	D6/675.1
D825,233 S	8/2018	Yamamoto	
D825,959 S	8/2018	Rockwell	
D829,026 S	9/2018	Davis	
D833,782 S	11/2018	Amacher	
D834,354 S	11/2018	Davis	
D834,355 S *	11/2018	Davis	D6/657
D835,437 S	12/2018	Stukenberg	
D835,925 S	12/2018	Denby	
D838,520 S	1/2019	Knox	
D838,523 S	1/2019	Yamamoto	
D843,756 S	3/2019	Johnson	
D845,041 S *	4/2019	Davis	D6/675
D845,679 S	4/2019	Li	
D845,683 S	4/2019	Pedersen	
D848,766 S	5/2019	Chen	
D848,767 S	5/2019	Smrstick	
D848,768 S	5/2019	Johnson	
D848,770 S	5/2019	Davis	
D849,457 S	5/2019	Kundig	
D850,815 S	6/2019	Nicoll	
D851,426 S	6/2019	Saotome	
D852,429 S	6/2019	Rathman	
D853,052 S	7/2019	Rathman	
D856,038 S	8/2019	Parikh	
D856,039 S	8/2019	Parikh	
D862,132 S	8/2019	Bhatt-Patel	
D858,148 S	9/2019	Crutcher	
D859,038 S	9/2019	Davis	
D860,687 S	9/2019	Parikh	
D861,388 S	10/2019	Bray	
D862,940 S	10/2019	Bray	
D866,225 S *	11/2019	Gelman	D6/657
D867,032 S	11/2019	Bellini	
10,473,335 B2	11/2019	Nemes	
D869,201 S *	12/2019	Davis	D6/669
D869,202 S	12/2019	Davis	
D870,492 S	12/2019	Young	
D870,493 S	12/2019	Young	
D874,192 S	2/2020	Velez	
D878,116 S	3/2020	Davis	
D878,816 S *	3/2020	Davis	D6/657
D878,817 S	3/2020	Davis	
D878,822 S *	3/2020	Davis	D6/661
D878,823 S *	3/2020	Davis	D6/669
D879,516 S	3/2020	Davis	
D880,201 S *	4/2020	Kraemer	D6/661
D882,989 S *	5/2020	Davis	D6/661
D885,091 S	5/2020	Davis	
D886,499 S	6/2020	Davis	
D888,467 S	6/2020	Li	
D891,831 S	8/2020	Davis	
D894,641 S *	9/2020	Davis	D6/657
D900,510 S	11/2020	Davis	
D904,082 S	12/2020	Davis	
D904,084 S	12/2020	Davis	
D904,801 S	12/2020	Davis	
D904,802 S	12/2020	Davis	
D904,803 S *	12/2020	Davis	D6/657
D904,804 S *	12/2020	Davis	D6/661
D906,020 S	12/2020	Davis	
D906,021 S	12/2020	Davis	
D908,403 S *	1/2021	Cayouette	D6/657
D908,404 S	1/2021	Davis	
D908,405 S *	1/2021	Davis	D6/661
D909,797 S	2/2021	Davis	
D914,400 S	3/2021	Davis	
D916,537 S	4/2021	Davis	
D920,015 S *	5/2021	Ye	D6/675.1
D922,798 S	6/2021	Packer	
D922,799 S *	6/2021	Davis	D6/661
D926,500 S	8/2021	Davis	
D927,897 S *	8/2021	Chu	D6/657
D927,898 S *	8/2021	Davis	D6/661
D922,106 S	9/2021	Li	
D931,016 S	9/2021	Davis	
D931,662 S	9/2021	Davis	
D935,237 S	11/2021	Davis	
D939,252 S	12/2021	Barris	
2004/0074858 A1	4/2004	Thuma	
2004/0079714 A1	4/2004	Andrew	
2004/0160087 A1	8/2004	Tiesler	
2004/0222721 A1	11/2004	Kelley	
2004/0237853 A1	12/2004	Sholz	
2005/0000241 A1	1/2005	Kucera	
2005/0103734 A1	5/2005	Saltzberg	
2007/0062983 A1	3/2007	Barnett	
2007/0138119 A1	6/2007	Schwerdlin	
2007/0236111 A1	10/2007	Gray	
2007/0236113 A1	10/2007	McCambridge	
2008/0116771 A1	5/2008	Green	
2008/0181587 A1	7/2008	Patil	
2008/0203042 A1	8/2008	Felsenthal	
2008/0216817 A1	9/2008	Yungbluth	
2009/0025414 A1	1/2009	Koga	
2009/0151375 A1	6/2009	Tarr	
2009/0170421 A1	7/2009	Adrian	
2009/0220221 A1	9/2009	Zhou	
2010/0307179 A1	12/2010	Fava	
2011/0000477 A1	1/2011	Kwon	
2011/0012481 A1	1/2011	Becker	
2011/0017691 A1	1/2011	Wu	
2011/0079688 A1	4/2011	Grove	
2011/0080261 A1	4/2011	Asofsky	
2011/0120166 A1	5/2011	Nadel	
2011/0220090 A1	9/2011	Atemboski	

(56)

References Cited

U.S. PATENT DOCUMENTS

2013/0052388	A1	2/2013	Burrows	
2014/0116418	A1	5/2014	Thomas	
2014/0239136	A1	8/2014	Ortega	
2014/0252939	A1	9/2014	Tunzi	
2014/0265754	A1	9/2014	Patterson	
2014/0265807	A1	9/2014	Kendall	
2014/0318529	A1	10/2014	Nielsen	
2015/0027349	A1	1/2015	Kahle	
2015/0182021	A1	7/2015	Chang	
2015/0323190	A1	11/2015	Stein	
2016/0018112	A1	1/2016	Phillips	
2016/0100698	A1	4/2016	Clark	
2016/0157605	A1	6/2016	Grad	
2016/0195277	A1	7/2016	Li	
2016/0209102	A1	7/2016	Vulava	
2016/0223213	A1	8/2016	Grohova	
2016/0256032	A1	9/2016	Bhajak	
2017/0089587	A1*	3/2017	Nemes	F24C 7/004
2017/0211814	A1*	7/2017	Bourne	F24C 7/004
2018/0029270	A1	2/2018	Hepler	
2018/0053974	A1	2/2018	Lee	
2018/0064246	A1	3/2018	Kassanoff	
2021/0088221	A1*	3/2021	Crowe	F24C 15/06
2021/0404667	A1	12/2021	Crowe	

FOREIGN PATENT DOCUMENTS

CN	305138614	5/2019
EM	003068485-0003	4/2016
EM	003254200-0003	6/2016
EM	005646783-0006	9/2018
GB	1162368	8/1969
GB	4001474	5/2007
GB	4032905	11/2013
GB	4034171	7/2014
GB	6041896	8/2018
WO	WOD076242-061	5/2011

OTHER PUBLICATIONS

TV Stand with Fireplace by Millwood Pines, first available: Sep. 8, 2019. Wayfair.com [online], [site visited Jan. 10, 2022], Internet URL: <https://www.wayfair.com/furniture/pdp/millwood-pines-woodbury-tv-stand-for-tvs-up-to-78-with-electric-fireplace-included-w005270949.html?piid=713008694> (Year: 2019).*

U.S. Appl. No. 29/785,130, filed May 24, 2021, Duhadway.

U.S. Appl. No. 29/785,154, filed May 24, 2021, Duhadway.

U.S. Appl. No. 29/796,878, filed Jun. 28, 2021, Duhadway.

U.S. Appl. No. 29/797,119, filed Jun. 29, 2021, Duhadway.

U.S. Appl. No. 29/794,737, filed Jun. 25, 2021, Duhadway.

U.S. Appl. No. 29/796,882, filed Jun. 28, 2021, Duhadway.

U.S. Appl. No. 29/794,743, filed Jun. 15, 2021, Duhadway.

U.S. Appl. No. 29/801,171, filed Jul. 27, 2021, Duhadway.

U.S. Appl. No. 29/801,173, filed Jul. 27, 2021, Naylor.

U.S. Appl. No. 29/799,389, filed Jul. 14, 2021, Duhadway.

U.S. Appl. No. 29/801,175, filed Jul. 27, 2021, Duhadway.

U.S. Appl. No. 29/808,729, filed Sep. 22, 2021, Duhadway.

U.S. Appl. No. 29/808,735, filed Sep. 22, 2021, Duhadway.

Notice of Allowance for U.S. Appl. No. 29/699,063; dated Jun. 17, 2021.

Notice of Allowance for U.S. Appl. No. 29/698,919; dated Jun. 23, 2021.

Office Action for U.S. Appl. No. 29/756,302; dated Jul. 12, 2021.

“Pemberly Row Farmhouse Mesh Sliding Barn Door 32-inch Wood Home Coffee Station.” Found online Jun. 30, 2021 at www.amazon.com. Product first available Dec. 28, 2018. Retrieved from URL: <https://tinyurl.com/2h79ybk5> (Year: 2018).

“Home Square 2 Piece Farmhouse Mesh Barn Door TV Stand.” Found online Jun. 30, 2021 at www.amazon.com. Product first available Dec. 6, 2019. Retrieved from URL: <https://www.amazon.com/Home-Square-Farmhouse-Console-Cabinet/dp/B082DZ5J83?th=1> (Year: 2019).

“The Gray Barn Kujawa Sliding Mesh Door Console.” Found online Jun. 30, 2021 at www.overstock.com. Product reviewed May 11, 2020. Retrieved from URL: <https://tinyurl.com/24ttxchw> (Year: 2020).

“SSLine 32-inch Farmhouse Accent Storage Cabinet.” Found online Jun. 30, 2021 at www.amazon.com. Product first available Jul. 20, 2020. Retrieved from URL: <https://www.amazon.com/dp/B0915LKX3W/?tag=abnd-20&th=1> (Year: 2020).

“Rustic Cabinet Barn Door Console.” Found online Jun. 30, 2021 at www.ebay.com. Page dated Sep. 5, 2020. Retrieved from URL: <https://www.ebay.com/itm/313181659463> (Year: 2020).

“Handbird Display Cabinet.” Found online Jun. 30, 2021 at www.kmart.com. Product first available Jan. 29, 2021. Retrieved from URL: <https://www.kmart.com/hand-bi-rd-isplay-cabi-net-tv-stand-w-slid-i-ng-barn/p-A093830443> (Year: 2021).

Ex Parte Quayle Office Action for U.S. Appl. No. 29/756,303; dated Jul. 12, 2021.

“Walker Edison Weston Modern Farmhouse Sliding Glass Door Storage Console.” Found online Jun. 30, 2021 at www.amazon.com. Product reviewed Mar. 26, 2019. Retrieved from URL: <https://tinyurl.com/3vnkj5z7> (Year: 2019).

“Manor Park 32 Sliding Glass Door Accent Cabinet.” Found online Jun. 30, 2021 at www.walmart.com. Product reviewed Jul. 17, 2020. Retrieved from URL: <https://www.walmart.com/ip/Manor-Park-32-Sliding-Glass-Door-Accent-Cabinet-Solid-White/927438446?selected=true> (Year: 2020).

Notice of Allowance for U.S. Appl. No. 29/756,305; dated Jul. 16, 2021.

Notice of Allowance for U.S. Appl. No. 29/756,291; dated Jul. 14, 2021.

Notice of Allowance for U.S. Appl. No. 29/756,763; dated Jul. 23, 2021.

Sha Cerlin 52" Farmhouse TV Stand with Sliding Barn Door, retrieved from https://www.amazon.com/SHA-CERLIN-Farmhouse-Adjustable-Entertainment/dp/B094JWM1QF/ref=sr_1_21?dchild=1&m=A2YBITOQ3E0O2T&marketplaceID=ATVPDKIKX0DER&qid=1626471396&s=merchant-items&sr=1-21, available on information and belief as of May 10, 2021; retrieved on Aug. 18, 2021.

Sha Cerlin TV Stand, retrieved from https://www.amazon.com/SHA-CERLIN-Farmhouse-Entertainment-Adjustable/dp/B094SWDB8J/ref=sr_1_63?dchild=1&keywords=sha+cerlin&qid=1626467539&s=home-garden&sr=1-63, available on information and belief as of May 13, 2021; retrieved on Aug. 18, 2021.

Restriction Requirement for U.S. Appl. No. 29/743,423; dated Sep. 7, 2021.

Restriction Requirement for U.S. Appl. No. 29/743,237; dated Sep. 7, 2021.

Walker Edison Willa Modern Farmhouse Sliding Single Slat Door Storage Console. Found online Jun. 30, 2021 at www.amazon.com. Product reviewed Jun. 18, 2019. Retrieved from URL: <https://tinyurl.com/4n3s9x45> (Year: 2019).

Woven Paths 32-inch Sliding Slat Door Accent Cabinet. Found online Jun. 30, 2021 at www.walmart.com. Product reviewed Sep. 14, 2019. Retrieved from URL: <https://tinyurl.com/2bsjztvy> (Year: 2019).

“Hom Echo Farmhouse Storage Cabinet.” Found on line Jun. 30, 2021 at www.amazon.com. Product first available Oct. 7, 2020. Retrieved from URL: <https://tinyurl.com/9f2yj8ks> (Year: 2020).

“Homcom Rustic Farmhouse Accent Side Cabinet .” Found online Jun. 30, 2021 at www.amazon.com. Product first available Jan. 20, 2021. Retrieved from URL: <https://tinyurl.com/ntzeu7ey> (Year: 2021).

Office Action for U.S. Appl. No. 29/743,244; dated Sep. 10, 2021.

“Carson Carrington Esbo 48-inch Corner TV Stand Console” Jun. 29, 2020, overstock.com, site visited Sep. 7, 2021 <<https://www.overstock.com/Home-Garden/Carson-Carrington-Esbo-48-2-Door-Glass-Shelf-Corner-TV-Console/30270125/product.html>> (Year: 2020).

Office Action for U.S. Appl. No. 29/743,250; dated Sep. 14, 2021.

Office Action for U.S. Appl. No. 29/743,584; dated Sep. 14, 2021.

Office Action for U.S. Appl. No. 29/743,247; dated Sep. 15, 2021.

(56)

References Cited

OTHER PUBLICATIONS

Notice of Allowance for U.S. Appl. No. 29/743,240; dated Sep. 15, 2021.

Restriction Requirement for U.S. Appl. No. 29/743,246; dated Sep. 14, 2021.

Notice of Allowance for U.S. Appl. No. 29/743,418; dated Sep. 20, 2021.

Sauder Saddler Way TV Stand for TVs up to 68", Lintel Oak Finish, retrieved from <https://www.walmart.com/ip/Sauder-Saddler-Way-TV-Stand-for-TVs-up-to-65-Lintel-Oak-Finish/522898196> on Sep. 23, 2021.

Sauder Adept Storage Accent Storage Cabinet, For TV's up to 39", Craftsman Oak finish, retrieved from https://www.amazon.com/Sauder-Adept-Storage-Cabinet-Craftsman/dp/B076FBWJV3/ref=cm_cr_ar_p_d_product_top?ie=UTF8 on Sep. 23, 2021.

Sauder Dakota Pass Entertainment/Fireplace Credenza, For TV's up to 60", Craftsman Oak finish, retrieved from https://www.amazon.com/Sauder-419119-Entertainment-Fireplace-Craftsman/dp/B016QMIN1K/ref=cm_cr_ar_p_d_product_top?ie=UTF8 on Sep. 23, 2021.

Fireplace TV Credenza with Glass Doors, retrieved from <https://www.sauder.com/furniture/427377/fireplace-tv-credenza-with-glass-doors> on Sep. 23, 2021.

Sauder Barrister Lane Media Fireplace, for TVs up to 60", Salt Oak finish, retrieved from https://www.amazon.com/Sauder-Barrister-Fireplace-Entertainment-Accommodates/dp/B07GC88LRN/ref=cm_cr_ar_p_d_product_top?ie=UTF8 on Sep. 23, 2021.

Jaxpety 58" Wooden TV Stand with Glass Door for 65" TVs Farmhouse Style Media Console Storage Cabinet Entertainment Center for Living Room, retrieved from <https://www.sears.com/jaxpety-58inch-wooden-tv-stand-w-glass-door/p-A105951271> on Sep. 28, 2021.

Jaxpety 58" Farmhouse Barn Door TV Stand for TVs up to 65", Wooden Media Console Storage Cabinet for Living Room, Bedroom, Brown Oak, retrieved from <https://www.walmart.com/ip/Jaxpety-58-Farmhouse-Barn-Door-TV-Stand-for-TVs-up-to-65-Wooden-Media-Console-Storage-Cabinet-for-Living-Room-Bedroom-Brown-Oak/314330068> on Sep. 28, 2021.

Notice of Allowance for U.S. Appl. No. 29/756,303; dated Oct. 1, 2021.

Office Action for U.S. Appl. No. 29/773,569; dated Oct. 6, 2021.

"Walker Edison Beaumont." Found online Sep. 13, 2021 at www.amazon.com. Product first available Nov. 8, 2018. Retrieved from URL: https://www.amazon.com/dp/B07K9F9YGF/ref=sbl_dp_x_B092VPQV67_0 (Year: 2018).

"Woven Paths Modern Farmhouse Sliding Door Accent." Found online Sep. 13, 2021 at www.walmart.com. Product reviewed Jan. 19, 2019. Retrieved from URL: <https://www.walmart.com/ip/Woven-Paths-Modern-Farmhouse-Sliding-Door-Accent-Cabinet-Stone-Grey/418425379> (Year: 2019).

"Sauder Adept Storage Accent Storage Cabinet." Found online Sep. 13, 2021 at www.amazon.com. Product first available Oct. 30, 2017. Retrieved from URL: <https://tinyurl.com/2e7tnx7d> (Year: 2017).

U.S. Appl. No. 29/698,924, filed Jul. 22, 2019, Davis.

U.S. Appl. No. 29/743,237, filed Jul. 20, 2020, Packer.

U.S. Appl. No. 29/743,240, filed Jul. 20, 2020, Packer.

U.S. Appl. No. 29/743,244, filed Jul. 20, 2020, Packer.

U.S. Appl. No. 29/743,246, filed Jul. 20, 2020, Packer.

U.S. Appl. No. 29/743,247, filed Jul. 20, 2020, Packer.

U.S. Appl. No. 29/743,250, filed Jul. 20, 2020, Packer.

U.S. Appl. No. 29/743,416, filed Jul. 21, 2020, Packer.

U.S. Appl. No. 29/743,418, filed Jul. 21, 2020, Packer.

U.S. Appl. No. 29/743,423, filed Jul. 21, 2020, Packer.

U.S. Appl. No. 29/743,584, filed Jul. 22, 2020, Packer.

U.S. Appl. No. 29/728,971, filed Mar. 23, 2020, Davis.

Office Action for U.S. Appl. No. 29/677,738 dated Jun. 26, 2020.

Office Action for U.S. Appl. No. 29/677,723 dated Jun. 26, 2020.

"Walker Edison—W6ONOR2D Assembly Instructions." Found online Jun. 19, 2020 at www.walkerredison.com. Page dated Apr. 23, 2018.

Retrieved from URL: <https://www.walkerredison.com/uploads/5/8/2/2/58227457/ai-w6Onor2d-%C2%AE%20version%2004231-e.pdf> (Year: 2018).

"The Urban Port Mid Century Modern Acacia Wood TV Unit." Found online Jun. 19, 2020 at www.amazon.com. Product reviewed Jun. 28, 2018. Retrieved from URL: https://www.amazon.com/dp/B07P6QPSYJ/ref=sbl_dp_x_B07LG44BN6_0?th=1 (Year: 2018).

"Simpli Home Draper Solid Wood Universal Low TV Media Stand." Found online Jun. 19, 2020 at www.amazon.com. Product reviewed Sep. 26, 2016. Retrieved from URL: https://www.amazon.com/dp/B01AACK5FM/ref=sbl_dp_x_B082WLRMSMS_0?th=1 (Year: 2016).

"Iwell Mid-Century Modern TV Stand." Found online Jun. 20, 2020 at www.amazon.com. Product first available May 7, 2020. Retrieved from URL: <https://tinyurl.com/y9okn5lq> (Year: 2020).

"Tangkula Wooden TV Stand." Found online Jun. 20, 2020 at www.amazon.com. Product first available Jan. 13, 2020. Retrieved from URL: <https://tinyurl.com/y9h9hwvc> (Year: 2020).

"Langley Street Silvia 54-inch TV Stand." Found online Jun. 20, 2020 at www.amazon.com. Product first available Aug. 30, 2015. Retrieved from URL: https://www.amazon.com/dp/B07BMM7PZ6/ref=sbl_dp_x_B01255EZVW_0 (Year: 2015).

"Walker Edison—W70JACSD Assembly Instructions." Found online Jun. 19, 2020 at www.walkerredison.com. Page dated Jul. 9, 2018. Retrieved from URL: <https://www.walkerredison.com/uploads/5/8/2/2/58227457/ai-w70jacsd-%C2%AE%20version%20071118n.pdf> (Year: 2018).

"South Shore Exhibit TV Stand." Found online Jun. 19, 2020 at www.amazon.com. Product reviewed Jan. 12, 2017. Retrieved from URL: https://www.amazon.com/dp/B01D9MW9FE/ref=sbl_dp_x_B01AACK5FM_0?th=1 (Year: 2017).

"Sauder Coral Cape Contemporary Wood 70-inch TV Stand." Found online Jun. 19, 2020 at www.amazon.com. Product first available Jan. 28, 2020. Retrieved from URL: https://www.amazon.com/dp/B085VKFXJF/ref=sbl_dp_x_B07LG44BN6_0 (Year: 2020).

"CCT Global Sourcing Inc. Pearson Solid Hardwood 60-inch TV Stand." Found online Jun. 19, 2020 at www.amazon.com. Product first available Jan. 20, 2020. Retrieved from URL: https://www.amazon.com/dp/B0842JT1Z6/ref=sbl_dp_x_B07LG44BN6_0 (Year: 2020).

Notice of Allowance for U.S. Appl. No. 29/677,722 dated Jul. 1, 2020.

"Walker Edison—W58BMHPAS Assembly Instructions." Found online Jun. 19, 2020 at www.walkerredison.com. Page dated Apr. 23, 2018. Retrieved from URL: <https://www.walkerredison.com/uploads/5/8/2/2/58227457/ai-w58bnnhpas-%C2%AE%20version%20042318-e.pdf> (Year: 2018).

"Mid Century Modern TV Stand." Found online Jun. 20, 2020 at www.amazon.com. Product first available Jun. 16, 2020. Retrieved from URL: <https://tinyurl.com/y7qolcv7> (Year: 2020).

"Pemberly Row Modern Mid Century Entertainment TV Stand." Found online Jun. 20, 2020 at www.amazon.com. Product first available May 25, 2018. Retrieved from URL: <https://tinyurl.com/y9affau7> (Year: 2018).

Notice of Allowance for U.S. Appl. No. 29/677,724 dated Jul. 7, 2020.

"Walker Edison—W60S014D Assembly Instructions." Found online Jun. 19, 2020 at www.walkerredison.com. Page dated May 8, 2018. Retrieved from URL: <https://www.walkerredison.com/uploads/5/8/2/2/58227457/ai-w60soi4d-%C2%AE%20version%20050818n.pdf> (Year: 2018).

"Sauder Boulevard Cafe Credenza." Found online Jun. 19, 2020 at www.amazon.com. Product first available Aug. 23, 2018. Retrieved from URL: https://www.amazon.com/Sauder-420649-Boulevard-Credenza-Vintage/dp/B07GSJ4MG1/ref=psdc_14109851_t1_B07G62YLVT (Year: 2018).

"Martin Furniture Eclectic Harmon Four Door Console." Found online Jun. 19, 2020 at www.amazon.com. Product first available Oct. 30, 2017. Retrieved from URL: https://www.amazon.com/dp/B076VVYRPR/ref=sbl_dp_x_B07G62YLVT_0 (Year: 2017).

"Industrial Iron Mesh Sideboard Media Cabinet." Found online Jun. 19, 2020 at www.amazon.com. Product first available Jul. 20, 2015.

(56)

References Cited

OTHER PUBLICATIONS

Retrieved from URL: https://www.amazon.com/dp/B01255EZVW/ref=sbl_dpx_BO7G62YLV0 (Year: 2015).

Safavieh Furniture; <http://web.archive.org/web/20130301232929/http://safavieh.com/furniture/categories/bookcases?pg=all>; Retrieved online on Aug. 5, 2020.

Safavieh Furniture; <http://web.archive.org/web/20140713025018/http://safavieh.com/furniture/american-home/bookcases/amh6525a>; Retrieved online on Aug. 5, 2020.

Amarah Mid Century Modern Wood TV Stand by Christopher Knight Home; <https://web.archive.org/web/20181102021725/https://www.overstock.ca/Home-Garden/Amarah-Mid-century-Modern-Wood-TV-Stand-by-Christopher-Knight-Home/18108793/product.html>; Retrieved online on Aug. 5, 2020.

Gemini Wood Contemporary TV Stand <https://web.archive.org/web/20160423180238/https://www.target.com/p/gemini-wood-contemporary-tv-stand-walnut-white-66-baxton-studio/-/A-50256043>; Retrieved online on Aug. 5, 2020.

Article Seno walnut media unit; <http://web.archive.org/web/20170610131805/https://www.article.com/product/1635/seno-walnut-63-media-unit>; Retrieved online on Aug. 5, 2020.

Instagram post—Article Seno walnut media unit; <https://www.instagram.com/p/BhcCAZIH8-q/>; Retrieved on Aug. 5, 2020.

Convenience Concepts Designs2Go Oslo TV Stand; <https://www.amazon.ca/Convenience-Concepts-Designs2Go-Stand-White/dp/B011RACHQ6/?th=1>; Retrieved online on Aug. 5, 2020.

Houzz Rowan Mid-Century Modern Two-Toned TV Stand; <https://www.houzz.com/products/rowan-mid-century-modern-two-toned-tv-stand-white-oak-prvw-vr~74489612>; Retrieved online on Aug. 21, 2020.

Focus On Furniture, Lowline TV Units; <https://web.archive.org/web/20170218071314/https://www.focusonfurniture.com.au/living-room/lowline-tv-units/>; Retrieved on Aug. 21, 2020.

Office Action for U.S. Appl. No. 29/654,930, dated Aug. 21, 2020. Calie TV Stand for TVs up to 48 inches with Electric Fireplace Included; Wayfair.com; <https://www.wayfair.com/furniture/pdp/real-flame-calie-tv-stand-for-tvs-up-to-48-inches-with-electric-fireplace-included-jfp1647.html>; Retrieved on Jan. 10, 2018.

Restriction Requirement for U.S. Appl. No. 29/698,919, dated Aug. 27, 2020.

Office Action for U.S. Appl. No. 29/677,755, dated Aug. 27, 2020. Foundry Arsenault End Table, www.wayfair.com [online]. Published on or before Aug. 15, 2020, [retrieved on Aug. 15, 2020], Retrieved from the Internet: <URL:<https://www.wayfair.ca/furniture/pdp/foundry-select-arsenault-4-legs-end-table-c003160002.html?piid=1664365403>> (Year: 2020).

Office Action for U.S. Appl. No. 29/698,928, dated Aug. 28, 2020. Notice of Allowance for U.S. Appl. No. 29/698,940, dated Aug. 28, 2020.

Rustic Farmhouse Corner TV Stand With Barn Doors, Little Rustic Shop, site visited Aug. 24, 2020, available online at <https://littlerusticshop.com/collections/frontpage/products/rustic-farmhouse-corner-tv-stand-with-barn-doors> (Year: 2020).

Office Action for U.S. Appl. No. 29/698,947, dated Aug. 31, 2020. White Eliza TV Stand With Fireplace Insert, Owens Home Furnishings, site visited Aug. 25, 2020, available online at <https://www.owensfurniture.com/eliza-white-barn-door-tv-stand-70/> (Year: 2020).

Office Action for U.S. Appl. No. 29/698,942, dated Aug. 31, 2020. Office Action for U.S. Appl. No. 29/677,761, dated Sep. 1, 2020.

Foundry Select Arsenault Coffee Table, www.wayfair.ca [online]. Published on or before Aug. 11, 2020, [retrieved on Aug. 11, 2020], Retrieved from the Internet: <URL:<https://www.wayfair.ca/furniture/pdp/foundry-select-arsenault-coffee-table-c003159996.html>> (Year: 2020).

Notice of Allowance for U.S. Appl. No. 29/699,063, dated Sep. 2, 2020.

Notice of Allowance for U.S. Appl. No. 29/699,071, dated Sep. 4, 2020.

Notice of Allowance for U.S. Appl. No. 29/699,066, dated Sep. 11, 2020.

Notice of Allowance for U.S. Appl. No. 29/677,723, dated Sep. 15, 2020.

Notice of Allowance for U.S. Appl. No. 29/677,738, dated Sep. 15, 2020.

Notice of Allowance for U.S. Appl. No. 29/698,942, dated Sep. 15, 2020.

Office Action for U.S. Appl. No. 29/698,924, dated Sep. 16, 2020.

Notice of Allowance for U.S. Appl. No. 29/699,073, dated Sep. 16, 2020.

Corrected Notice of Allowance for U.S. Appl. No. 29/698,942, dated Sep. 23, 2020.

Notice of Allowance for U.S. Appl. No. 29/677,723, dated Sep. 29, 2020.

Notice of Allowance for U.S. Appl. No. 29/677,738, dated Sep. 29, 2020.

Notice of Allowance for U.S. Appl. No. 29/720,732; dated Sep. 29, 2020.

Notice of Allowance for U.S. Appl. No. 29/721,435, dated Sep. 29, 2020.

Notice of Allowance for U.S. Appl. No. 29/677,724, dated Sep. 30, 2020.

Notice of Allowance for U.S. Appl. No. 29/699,071, dated Sep. 30, 2020.

Notice of Allowance for U.S. Appl. No. 29/720,923, dated Sep. 30, 2020.

Office Action for U.S. Appl. No. 29/699,078, dated Oct. 6, 2020.

“Vasagle Glatal Glass Coffee Table.” Found online Sep. 30, 2020 at www.amazon.com. Product first available May 1, 2020. Retrieved from URL: <https://tinyurl.com/yxvuv2rf> (Year: 2020).

“Henn and Hart Coffee Table.” Found online Sep. 30, 2020 at www.amazon.com. Product first available Jan. 20, 2019. Retrieved from URL: https://www.amazon.com/-/es/Henn-Hart-talla-%C3%BA-nica-color/dp/B07N8RRPT5/ref=psdc_3733631_t5_B07CYML1_LF (Year: 2019).

U.S. Appl. No. 29/773,569, filed Mar. 10, 2021, Davis.

U.S. Appl. No. 29/756,291, filed Oct. 27, 2020, Davis.

U.S. Appl. No. 29/756,302, filed Oct. 27, 2020, Davis.

U.S. Appl. No. 29/756,303, filed Oct. 27, 2020, Davis.

U.S. Appl. No. 29/756,305, filed Oct. 27, 2020, Davis.

U.S. Appl. No. 29/756,763, filed Oct. 30, 2020, Davis.

U.S. Appl. No. 29/767,917, filed Jan. 26, 2021, Duhadway.

U.S. Appl. No. 29/767,919, filed Jan. 26, 2021, Naylor.

U.S. Appl. No. 29/768,116, filed Jan. 27, 2021, Naylor.

Notice of Allowance for U.S. Appl. No. 29/677,755, dated Oct. 27, 2020.

Notice of Allowance for U.S. Appl. No. 29/720,923, dated Oct. 28, 2020.

Lorraine TV Stand for TVs up to 60" Retrieved online Nov. 3, 2020; from URL: <https://www.wayfair.com/furniture/pdp/three-posts-lorraine-tv-stand-for-tvs-up-to-60-w001527559.html>.

Notice of Allowance for U.S. Appl. No. 29/698,942, dated Nov. 3, 2020.

Notice of Allowance for U.S. Appl. No. 29/699,073, dated Nov. 3, 2020.

Notice of Allowance for U.S. Appl. No. 29/721,435, dated Nov. 3, 2020.

“Alera Angled Doors Oak Wood Black Sideboard” <https://www.decorpad.com/bookmark.htm?bookmarkId=69182> (Retrieved Nov. 12, 2020).

“Linus Base Cabinet w/Double Angled Doors by HABA, 460499*” <https://gresscoltd.com/linus-base-cabinet-w-double-angled-doors-by-haba-460499.html> (Retrieved Nov. 12, 2020).

“Solid Acacia Wood Canyon Ridge Three Drawer Media TV Console ith Metal Base” <https://www.hootjudkins.com/solid-acacia-wood-canyon-ridge-three-drawer-media-tv-console-with-metal-base> (Retrieved Nov. 12, 2020).

Office Action for U.S. Appl. No. 29/756,291, dated Nov. 23, 2020.

Barn Door Console, @sarahashleyallen on Instagram, Dec. 26, 2016, site visited Nov. 18, 2020, available online at <https://www.instagram.com/p/BOFH8jqgzjK/?taken-by=sarahashleyallen> (Year: 2016).

(56)

References Cited

OTHER PUBLICATIONS

- DIY Barn Door Hardware, Ana White, Oct. 17, 2018, site visited Nov. 18, 2020, available online at <https://www.ana-white.com/woodworking-projects/diy-barn-door-hardware-washers> (Year: 2018).
- Office Action for U.S. Appl. No. 29/698,919, dated Nov. 24, 2020.
- DIY Sliding Barn Door Console, Jaime Costiglio, Jan. 1, 2019, site visited Nov. 18, 2020, available online at <https://jaimecostiglio.com/diy-sliding-barn-door-console-free-plans/> (Year: 2019).
- Notice of Allowance for U.S. Appl. No. 29/654,930, dated Dec. 10, 2020.
- Notice of Allowance for U.S. Appl. No. 29/698,947, dated Dec. 10, 2020.
- Notice of Allowance for U.S. Appl. No. 29/698,928, dated Dec. 11, 2020.
- Notice of Allowance for U.S. Appl. No. 29/698,924, dated Dec. 18, 2020.
- Notice of Allowance for U.S. Appl. No. 29/677,761, dated Dec. 22, 2020.
- Notice of Allowance for U.S. Appl. No. 29/756,763, dated Dec. 22, 2020.
- Notice of Allowance for U.S. Appl. No. 29/720,732; dated Jan. 25, 2021.
- Notice of Allowance for U.S. Appl. No. 29/699,078, dated Jan. 28, 2021.
- Studio 350 Wood Cabinet; retrieved on Mar. 11, 2021; <https://www.overstock.com/Home-Garden/Studio-350-Wood-Cabinet-30-inches-wide-34-inches-high/17357264/product.html>.
- Amazon Brand—Rivet Mid-Century Modern Checkerboard Reclaimed Elm Buffet Sideboard Credenza Cabinet; retrieved on Mar. 11, 2021; https://www.amazon.com/Rivet-Mid-Century-Checkerboard-Reclaimed-Cabinet/dp/B075Z8628K/ref=h_npb_a2a_sims_1?encoding=UTF8&pd_rd_i=B075Z8628K&pd_rd_r=a9f26748-f7ef-11e8-bd88-f19ea5af337e&pd_rd_w=LLe5w&pd_rd_wg=SDrAx&pf_rd_i=desktop-dp-sims&pf_rd_m=ATVPDKIKX0DER&pf_rd_p=31feaa4d-b746-4950-83b6-1e38b78bee56&pf_rd_r=9MFY1C4VSTB9H8PGVEGJ&pf_rd_s=desktop-dp-sims&pf_rd_t=40701&pvc=1 &refRID=9MFY1C4VSTB9H8PGVEGJ.
- Notice of Allowance for U.S. Appl. No. 29/720,093, dated Mar. 12, 2021.
- Istopbedrooms. <https://www.istopbedrooms.com/ramona-autumn-bronze-media-console-electric-fireplace-with-acrylic-ice-xhd-firebox>. “Ramona Autumn Bronze Media Console Electric Fireplace with Acrylic Ice Xhd Firebox”. Date Unknown Viewed Feb. 2021 (Year: 2021).
- U.S. Appl. No. 29/611,962, filed Jul. 27, 2017, Davis.
- U.S. Appl. No. 29/611,963, filed Jul. 27, 2017, Davis.
- U.S. Appl. No. 29/634,946, filed Jan. 25, 2018, Davis.
- U.S. Appl. No. 29/634,903, filed Jan. 25, 2018, Davis.
- U.S. Appl. No. 29/654,941, filed Jun. 28, 2018, Davis.
- U.S. Appl. No. 29/654,935, filed Jun. 28, 2018, Davis.
- U.S. Appl. No. 29/654,950, filed Jun. 28, 2018, Davis.
- U.S. Appl. No. 29/720,093, filed Jan. 9, 2020, Davis.
- U.S. Appl. No. 29/656,499, filed Jul. 12, 2018, Davis.
- U.S. Appl. No. 29/656,479, filed Jul. 12, 2018, Davis.
- U.S. Appl. No. 29/656,485, filed Jul. 12, 2018, Davis.
- U.S. Appl. No. 29/656,486, filed Jul. 12, 2018, Davis.
- U.S. Appl. No. 29/656,497, filed Jul. 12, 2018, Davis.
- U.S. Appl. No. 29/654,930, filed Jun. 28, 2018, Davis.
- U.S. Appl. No. 29/654,936, filed Jun. 28, 2018, Davis.
- U.S. Appl. No. 29/654,952, filed Jun. 28, 2018, Davis.
- U.S. Appl. No. 29/656,492, filed Jul. 12, 2018, Davis.
- U.S. Appl. No. 29/656,489, filed Jul. 12, 2018, Davis.
- U.S. Appl. No. 29/634,889, filed Jan. 25, 2018, Davis.
- U.S. Appl. No. 29/677,722, filed Jan. 23, 2019, Davis.
- U.S. Appl. No. 29/677,723, filed Jan. 23, 2019, Davis.
- U.S. Appl. No. 29/677,724, filed Jan. 23, 2019, Davis.
- U.S. Appl. No. 29/677,738, filed Jan. 23, 2019, Davis.
- U.S. Appl. No. 29/677,755, filed Jan. 23, 2019, Davis.
- U.S. Appl. No. 29/677,761, filed Jan. 23, 2019, Davis.
- U.S. Appl. No. 29/698,919, filed Jul. 22, 2019, Davis.
- U.S. Appl. No. 29/698,928, filed Jul. 22, 2019, Davis.
- U.S. Appl. No. 29/698,940, filed Jul. 22, 2019, Davis.
- U.S. Appl. No. 29/699,063, filed Jul. 23, 2019, Davis.
- U.S. Appl. No. 29/699,066, filed Jul. 23, 2019, Davis.
- U.S. Appl. No. 29/714,849, filed Nov. 26, 2019, Davis.
- U.S. Appl. No. 29/699,071, filed Jul. 23, 2019, Davis.
- U.S. Appl. No. 29/699,073, filed Jul. 23, 2019, Davis.
- U.S. Appl. No. 29/699,078, filed Jul. 23, 2019, Davis.
- U.S. Appl. No. 29/698,942, filed Jul. 22, 2019, Davis.
- U.S. Appl. No. 29/698,947, filed Jul. 22, 2019, Davis.
- U.S. Appl. No. 29/720,729, filed Jan. 15, 2020, Davis.
- U.S. Appl. No. 29/720,732, filed Jan. 15, 2020, Davis.
- U.S. Appl. No. 29/721,435, filed Jan. 21, 2020, Davis.
- U.S. Appl. No. 29/720,734, filed Jan. 15, 2020, Davis.
- U.S. Appl. No. 29/720,923, filed Jan. 16, 2020, Davis.
- U.S. Appl. No. 29/720,927, filed Jan. 16, 2020, Davis.
- U.S. Appl. No. 29/720,948, filed Jan. 16, 2020, Davis.
- U.S. Appl. No. 29/721,166, filed Jan. 17, 2020, Davis.
- Electric fireplace, image post date May 26, 2014, site visited Aug. 8, 2016, (online), <<https://www.tineye.com/search/3c3d0cbfb7030b3079ebefa0774a5b4e94120332/?pluginver>>.
- Media Console with Electric Fireplace, image post date Dec. 6, 2015, site visited Aug. 8, 2016, (online), <<http://www.overstock.com/Home-Garden/Media-Console-with-Electric-Fireplace-in-Barnwood/10309735/product.html?recset=05953330-aal-4640-a796-f225c2f8176d&refccid=MRISGBB2MZGZXYKK4EFVI25H6Q&recalg=809,828,512&recidx=1#reviews>>.
- Tv Stand With Fireplace, image post date Sep. 12, 2015, site visited Aug. 8, 2016, (online), <<https://www.tineye.com/search/77be8934bf07249cbb245c8ea0f719199437b185/>>.
- Walker Edison TV Stand with Fireplace Insert, image post date Jul. 31, 2015, site visited Aug. 8, 2016, (online), <<https://www.amazon.com/Walker-Edison-Fireplace-Insert-Espresso/dp/BOOPNONTAK>>.
- Manchester Fireplace TV Console, image post date Dec. 17, 2015, site visited Aug. 8, 2016, (online), <<http://www.walmart.com/ip/Manchester-Media-Fireplace-Stand-for-TVs-up-to-70/46360223>>.
- Monet Fireplace; Canadian Tire Company website: <http://www.canadiantire.ca/en/pdp/monet-fireplace-0643572p.html>; retrieved on Dec. 21, 2016.
- TV and Media Consoles, image post date Sep. 21, 2013, site visited Oct. 26, 2016, (online), <<http://web.archive.org/web/20130921074219/http://www.ectricfireplacesdirect.com/Gallery/tv-and-media-consoles.html>>.*.
- “Kendall Electric Media Fireplace—Espresso” Dec. 24, 2012, amazon.com, site visited Mar. 6, 2018 <https://www.amazon.com/Kendall-Electric-Media-Fireplace-Espresso/dp/B009L1T6XQ/ref=cm_cr_ar_p_d_product_top?ie=UTF8> (Year: 2012).*
- “Whalen Media Fireplace Console for TVs up to 70" Gray” Nov. 24, 2015, walmart.com, site visited Mar. 6, 2018 <<https://www.walmart.com/ip/Whalen-Media-Fireplace-Console-for-TVs-up-to-70-Gray/54189794>> (Year: 2015).*
- “Boston Loft Furnishings . . . ” Nov. 7, 2016, themine.com, site visited Mar. 2, 2018 <https://www.themine.com/tv-stands/boston-loft-furnishings-reamrock-infrared-electric-fireplace-media-stand-with-convertible-corner_g2733659.html> (Year: 2016).
- “Ameriwood Home Everett 70-inch . . . ” Dec. 6, 2016, overstock.com, site visited Mar. 2, 2018 <<https://www.overstock.com/Home-Garden/Ameriwood-Home-Everett-70-inch-Sonoma-Oak-TVStand-with-Glass-Doors/12710691/product.html>> (Year: 2016).*
- Metal Coffee Table; <https://www.overstock.com/Home-Garden/42-Metal-Coffee-Table-42-x-24-x-18h/15951452/product.html> Retrieved on Nov. 13, 2018.
- Modern Two-Tone Writing Desk; <https://www.overstock.com/Home-Garden/44-Modern-Two-Tone-Writing-Desk/19684325/product.html> Retrieved on Nov. 13, 2018.
- Czapla TV Stand for TVs up to 65"; <https://www.allmodern.com/furniture/pdp/mercury-row-czapla-tv-stand-for-tvs-up-to-65-a000303456.html> ; Retrieved on May 7, 2019.
- Nelson Media Cabinet; <https://www.franceandson.com/collections/storage-shelving-media-cabinets/products/nelson-media-cabinet36051> ; Retrieved on May 7, 2019.

(56)

References Cited

OTHER PUBLICATIONS

Hal TV Stand for TVs up to 60"; <https://www.allmodern.com/furniture/pdp/hal-tv-stand-for-tvs-up-to-60-a000176456.html>; Retrieved on May 7, 2019.

Wigington TV Stand for TVs up to 60"; <https://www.allmodern.com/furniture/pdp/wigington-tv-stand-for-tvs-up-to-60-golv3670.html?piid>; Retrieved on May 7, 2019.

Cliffmay Slat Media Stand Light Oak Brown—Project 62; https://www.target.com/p/cliffmay-slat-media-stand-light-oak-brown-project-62-153/-/A-53517373?ref=tgt_adv_XS000000&AFID=google_pla_df&fndsrc=tgtao&CPNG=PLA_Furniture%2BShopping_Priority%2BBrands&adgroup=SC_Project+62&LID=700000001170770pgs&network=g&device=c&location=9029756&gclsrc=aw.ds&ds_rl=1246978&ds_rl=1247068&ds_rl=1246978&ref=tgt_adv_XS000000&AFID=google_pla_df&CPNG=PLA_Furniture+Shopping_Priority+Brands&adgroup=SC_Project%2062&LID=700000001170770pgs&network=g&device=c&location=9029756&gclid=EAIaIQobChMI7Nb9wo-H3wIVBylpChIfSg4IEAQYBSABEGK_yPD_BwE&gclsrc=aw.ds; Retrieved on May 7, 2019.

Audrey Woven Media Console 65"; <https://www.zinhome.com/audrey-woven-media-console-65/>; Retrieved on May 14, 2019.

Demilune Mesh Door Industrial Sideboard; https://belleescape.com/demilune-mesh-wire-door-industrial-chic-sideboard.html?_SID=U; Retrieved on May 14, 2019.

Tuk Cabinet; <https://blackroosterdecor.com/collections/storage/products/tuk-cabinet>; Retrieved on May 14, 2019.

Rustic Style 31 Inches Metal TV Stand With Wire Mesh Doors Cabinet, Black; <https://casagear.com/products/rustic-style-31-inches-metal-tv-stand-with-wire-mesh-doors-cabinet-black>; May 14, 2019.

Geo-Marquetry Buffet; https://www.anthropologie.com/shop/geo-marquetry-buffet?adpos=1o27&adtype=pla&cm_mmc=Google-US%20-%20Shopping%20-%20Furniture-_-Organizing%20and%20Storage-_-42699934&color=&countryCode=US&creative=191389729567&device=c&gclid=EAIaIQobChMIvUIGgYOH3wIVEdNkCh3t8wRPEAkYGYABEGJG_PD_BwE&inventoryCountry=US&matchtype=&mrkgadid=3202938336&mrkgcl=694&network=g&product_id=42699934&quantity=1&size=ALL&type=STANDARD&utm_campaign=US%20-%20Shopping%20-%20Furniture&utm_content=42699934&utm_medium=paid_search&utm_source=Google&utm_term=Organizing%20and%20Storage; Retrieved on May 14, 2019.

Suspend II Media Console; <https://www.cb2.com/suspend-ii-media-console/s523915>; Retrieved on May 14, 2019.

Hooker Furniture Melange Mirrored Angle Console; https://www.furniturecrate.com/hooker-melange-mirrored-angle-console.html?gdftrk=gdfV21650_a_7c92_a_7c8357_a_7c654170&gclid=CjwKEAiA05unBRCymrGilanF9SwSJACqDFRmlWwgePUSp65sXRCI4RkJfScYn--yCjNuB-GTt3W-FxoCQL7w_wcB; Retrieved on May 14, 2019.

FurnitureMaxx Besteen Contemporary Wood Dark Gray Dining Room Server; https://www.amazon.com/dp/B07GVS1VK2/ref=cm_sw_r_pi_dp_U_x_evuOBbFM3298G; Retrieved on May 14, 2019.

Jaydyn Media TV Stand/Credenza; https://www.macys.com/shop/product/jaydyn-media-tv-stand-credenza?ID=2883210&CategoryID=35319#fn=FURNITURE_CATEGORY=Buffet%20&%20Sideboards&SIZE=&sp=3&spc=131&ruleId=129%7CBOOST%20ATTRIBUTE%7CBOOST%20SAVED%20SET&searchPass=matchNone&slotId=2; Retrieved on May 14, 2019.

Sideboard; <https://www.allmodern.com/furniture/pdp/sideboard-sct11710.html>; Retrieved on May 14, 2019.

Belham Living Trenton Industrial End Table; https://www.hayneedle.com/product/belham-living-trenton-industrial-end-table-new.cfm?source=pla&kwid=OccasionalTables%20prefer&tid=REDU113-1&adtype=pla&kw=&gclid=EAIaIQobChMIvOu-6vel3wIVB8ZkCh0ZdAf-EAkYAyABEGLyMfD_BwE; Retrieved on May 15, 2019.

Belham Living Hampton Chair Side Table—Black; <https://www.hayneedle.com/product/belham-living-hampton-chair-side-table-black.cfm>; Retrieved on May 15, 2019.

International Concepts Hampton End Table; https://www.hayneedle.com/product/internationalconceptshamptonendtable.cfm?source=pla&kwid=OccasionalTables%20level05&tid=WW1545-1&adtype=pla&kw=&gclid=EAIaIQobChMIpsnoq_mI3wIVGNVCh348gtDEAkYIiABEGLP7fD_BwE; Retrieved on May 15, 2019.

Hampton Weathered Taupe Gray Coffee Table; https://www.homedepot.com/p/International-Concepts-Hampton-Weathered-Taupe-Gray-Coffee-Table-OT09-70C/302946359?MERCH=REC_-PIPHorizontal2_rr_-204737265_-302946359_-N; Retrieved on May 15, 2019.

Convenience Concepts Oxford Rectangle Coffee Table; https://www.hayneedle.com/product/convenience-concepts-oxford-rectangle-coffee-table.cfm?source=pla&kwid=OccasionalTables%20newskus&tid=CONV338-5&adtype=pla&kw=&gclid=EAIaIQobChMIhuzv9_mI3wIVWx-tBh1rUA1tEAKYHyABEGJ2hPD_BwE; Retrieved on May 15, 2019.

Belham Living Jamestown Rustic Coffee Table with Unique Driftwood Finish; <https://www.hayneedle.com/product/jamestown-rustic-coffee-table.cfm>; Retrieved on May 15, 2019.

Pinterest; www.pinterest.com/pin/336328451393621/; Retrieved on Jun. 12, 2019.

Target Winham TV Stand—Threshold; www.target.com/p/windham-tv-stand-threshold-153/-/A-54301349; Retrieved on Jun. 12, 2019.

Pinterest DIY Farmhouse Coffee Table Cabinet; www.pinterest.com/pin/33636328450994833/; Retrieved on Jun. 12, 2019.

Image seen on Pinterest DIY Project; Pinterest.com; Seen approximately Aug. 1, 2017.

World Market—Metal Bexley Bar; www.worldmarket.com/product/metal+bexley+bar.do?pp=1; Retrieved on Sep. 25, 2019.

Overstock—Nova Domus Soria Modern Walnut TV Stand; https://www.overstock.com/Home-Garden/Nova-Domus-Soria-Modern-Walnut-TVStand/10359356/product.html?utm_campaign=pin_button&utm_medium=Social&utm_source=Pinterest; Retrieved on Jun. 12, 2019.

42 in. Metal and Wood Desk with Glass and Shelf Grey Wash by Walker Edison Furniture Company—Home Depot <https://www.homedepot.com/p/Walker-Edison-Furniture-Company-42-in-Metal-and-Wood-Desk-with-Glass-and-Shelf-Grey-Wash-HDM42JERGW/305309102> retrieved from the internet on Sep. 9, 2019.

Dark Walnut Wood and Glass Coffee Table by Walker Edison Furniture Company—Home Depot <https://www.homedepot.com/p/Walker-Edison-Furniture-Company-Dark-Walnut-Wood-and-Glass-Coffee-Table-HDF42JMGLDW/305308482> retrieved from the internet on Nov. 6, 2019.

“Baum TV Stand for TVs up to 58 inches” Wayfair. (Accessed Nov. 14, 2019).

“Dark Walnut 70" TV Stand” Pier1. (Accessed Nov. 14, 2019).

“Seren TV Stand for TVs up to 50 inches” Wayfair. (Accessed Nov. 14, 2019).

“Shreffler TV Stand for TVs up to 78 inches” Wayfair. (Accessed Nov. 14, 2019).

Electric Fireplaces Direct.com. <https://www.electricfireplacesdirect.com/products-accessories/tv-media-consoles/shelby-electric-fireplace-media-console-in-white-c3p18c9-2030w.html>. “Shelby Electric Fireplace Media Console in White”. Date unknown: Viewed Dec. 2019 (Year: 2019).

Pikove. <https://pikove.com/media/509962357792326443>. “Home Decor”. Feb. 2017 (Year: 2017).

Luno. <https://iamluno.com/product/kc27-record-console-new/>. “KC27 Hifi Record Console”. Date unknown: Viewed Dec. 2019 (Year: 2019).

60" Tiered Top Console; <https://www.wayfair.com/furniture/pdp/real-flame-calie-tv-stand-for-tvs-up-to-48-inches-with-electric-fireplace-included-jfp1647.html>; Retrieved on Dec. 12, 2019.

70" Tiered Top Open Shelf Fireplace; <https://www.wayfair.com/furniture/pdp/real-flame-calie-tv-stand-for-tvs-up-to-48-inches-with-electric-fireplace-included-jfp1647.html>; Retrieved on Jan. 10, 2018.

48" Radcliff Buffet; <https://www.walkerredison.com/buffet-52-console-table.html>; Retrieved on Jul. 19, 2018.

Pinterest; Cabinet Furniture; wood veneer sideboard with doors—Edge Collection by Miniforms; <https://www.pinterest.com/pin/312366924137895643>; Retrieved on Aug. 9, 2018.

(56)

References Cited

OTHER PUBLICATIONS

Edge Buffet and Cabinet; Miniforms.com; https://www.miniforms.com/en/products/4_buffet-and-cabinet/105_edge/#f; Retrieved on Aug. 9, 2018.

Pinterest; Media Furniture Search; <https://www.pinterest.com/pin/33636328451628908/>; Retrieved on Apr. 16, 2018.

Pinterest; Furniture Search; <https://www.pinterest.com/pin/33636328453466237/>; Retrieved on Apr. 11, 2018.

U.S. Appl. No. 29/654,936, dated Jun. 19, 2019, Notice of Allowance.

U.S. Appl. No. 29/656,479, dated Jun. 27, 2019, Notice of Allowance.

U.S. Appl. No. 29/654,950, dated Sep. 25, 2019, Restriction Requirement.

U.S. Appl. No. 29/656,489, dated Sep. 25, 2019, Office Action.

U.S. Appl. No. 29/656,497, dated Sep. 25, 2019, Office Action.

U.S. Appl. No. 29/656,499, dated Sep. 26, 2019, Office Action.

U.S. Appl. No. 29/656,486, dated Sep. 27, 2019, Notice of Allowance.

U.S. Appl. No. 29/656,485, dated Oct. 2, 2019, Notice of Allowance.

U.S. Appl. No. 29/656,479, dated Oct. 21, 2019, Notice of Allowance.

U.S. Appl. No. 29/654,952, dated Nov. 15, 2019, Office Action.

U.S. Appl. No. 29/656,492, dated Nov. 18, 2019, Notice of Allowance.

U.S. Appl. No. 29/634,946, dated Dec. 12, 2019, Office Action.

U.S. Appl. No. 29/656,485, dated Dec. 18, 2019, Notice of Allowance.

U.S. Appl. No. 29/654,950, dated Dec. 27, 2019, Notice of Allowance.

U.S. Appl. No. 29/656,499, dated Jan. 23, 2020, Notice of Allowance.

U.S. Appl. No. 29/656,497, dated Jan. 23, 2020, Notice of Allowance.

U.S. Appl. No. 29/656,489, dated Jan. 24, 2020, Notice of Allowance.

U.S. Appl. No. 29/654,952, dated Feb. 12, 2020, Notice of Allowance.

U.S. Appl. No. 29/714,849, dated Feb. 25, 2020, Restriction Requirement.

U.S. Appl. No. 29/714,849, dated Apr. 6, 2020, Notice of Allowance.

U.S. Appl. No. 29/634,946, dated Apr. 8, 2020, Notice of Allowance.

U.S. Appl. No. 29/654,952, dated Apr. 21, 2020, Notice of Allowance.

U.S. Appl. No. 29/794,351, filed Jun. 11, 2021, Naylor.

U.S. Appl. No. 29/794,592, filed Jun. 14, 2021, Naylor.

U.S. Appl. No. 29/794,596, filed Jun. 14, 2021, Naylor.

Office Action for U.S. Appl. No. 29/756,291, dated Mar. 18, 2021. "Pemberly Row 32-inch Farmhouse Sliding Barn Door Wood Accent Chest." Found online Mar. 4, 2021 at www.amazon.com. Product first available Dec. 28, 2018. Retrieved from URL: <https://www.amazon.com/Pemberly-Row-Sliding-Console-Barnwood/dp/B07MQGF51Y> (Year: 2018).

"Walker Edison Abbey Modern Farmhouse Sliding X Barn Door Accent Console." Found online Mar. 4, 2021 at www.amazon.com. Customer question answered Apr. 15, 2019. Retrieved from URL: <https://tinyurl.com/36keempk> (Year: 2019).

Notice of Allowance for U.S. Appl. No. 29/698,919; dated Mar. 30, 2021.

Bridgeport by Hopewood; Found online on Mar. 29, 2021 at <https://hubbingtons.com/product-category/bridgeport-by-hopewood/>.

Bridgeport Furniture; Found online on Mar. 29, 2021 at www.flemingtondepartmentstore.com/all/bridgeport/brand-collection.aspx.

Bridgeport 3-Door Server; Found online on Mar. 29, 2021; Found online at [https://www.belfortfurniture.com/\(X\(1\)\)/item/dining-bridgeport-3-door-server/307396660](https://www.belfortfurniture.com/(X(1))/item/dining-bridgeport-3-door-server/307396660).

Office Action for U.S. Appl. No. 29/756,763; dated Apr. 12, 2021. Gray Barn Wind Gap Sliding Barn Door TV Stand Console, overstock.com, review date with photo from Apr. 8, 2019 & Jul. 10, 2019, <https://www.overstock.com/Home-Garden/The-Gray-Barn-Wind-Gap-Sliding-Barn-Door-TV-Stand-Console/25490525/product.html> (Year: 2019).

Notice of Allowance for U.S. Appl. No. 29/743,416; dated Apr. 21, 2021.

Console, Item# W58SGRD Assembly Instructions; found online Jul. 2, 2020; retrieved on May 3, 2021, (online); https://www.overstock.com/downloads/pdf/1219684877_1dbe384b-588a-3260-a4d9-6d3bac52ba4a.pdf.

Renegar 2 Door Accent Cabinet; Wayfair.com; found online Apr. 21, 2021; retrieved May 3, 2021 (online); <https://www.wayfair.com/furniture/pdp/gracie-oaks-renegar-2-door-accent-cabinet-w001524010.html>.

Guadalupe TV Stand; Wayfair.com; found online Apr. 21, 2021; retrieved May 4, 2021 (online); <https://www.wayfair.com/furniture/pdp/guadalupe-tv-stand-for-tvs-up-to-65-w003233469.html?piid=848017954>.

Corsham TV Stand; Wayfair.com; found online Apr. 21, 2021; retrieved May 4, 2021 (online); <https://www.wayfair.com/furniture/pdp/rosalind-wheeler-corsham-tv-stand-for-tvs-up-to-65-w003211663.html>.

Everitt TV Stand; Wayfair.com; found online Apr. 21, 2021; retrieved May 4, 2021 (online); <https://www.wayfair.com/furniture/pdp/gracie-oaks-everitt-tv-stand-for-tvs-up-to-65-w001524186.html?piid=1788638279>.

Guadalupe TV Stand with Electric Fireplace; Wayfair.com; found online Apr. 21, 2021; retrieved May 4, 2021 (online); <https://www.wayfair.com/furniture/pdp/guadalupe-tv-stand-for-tvs-up-to-65-with-electric-fireplace-included-w003233344.html>.

Brianna TV Stand; Wayfair.com; found online Apr. 21, 2021; retrieved May 4, 2021 (online); <https://www.wayfair.com/furniture/pdp/coastal-farmhouse-brianna-tv-stand-for-tvs-up-to-80-w004028674.html>.

Fryar TV Stand; Wayfair.com; found online Apr. 21, 2021; retrieved May 4, 2021 (online); <https://www.wayfair.com/furniture/pdp/gracie-oaks-fryar-tv-stand-for-tvs-up-to-75-w001713808.html>.

Polegate TV Stand; Wayfair.com; found online Apr. 21, 2021; retrieved May 4, 2021 (online); <https://www.wayfair.com/furniture/pdp/three-posts-teen-polegate-tv-stand-for-tvs-up-to-70-w000171190.html>.

Brawley TV Stand; Wayfair.com; found online Apr. 21, 2021; retrieved May 4, 2021 (online); <https://www.wayfair.com/furniture/pdp/17-stories-brawley-tv-stand-for-tvs-up-to-65-w004231614.html>.

Lorraine TV Stand; Wayfair.com; found online Apr. 21, 2021; retrieved May 4, 2021 (online); <https://www.wayfair.com/furniture/pdp/three-posts-lorraine-tv-stand-for-tvs-up-to-60-w001527559.html>.

Skofte TV Stand; Wayfair.com; found online Apr. 21, 2021; retrieved May 4, 2021 (online); <https://www.wayfair.com/furniture/pdp/gracie-oaks-skofte-tv-stand-for-tvs-up-to-60-w001487399.html>.

Miah TV Stand; Wayfair.com; found online Apr. 21, 2021; retrieved May 4, 2021 (online); <https://www.wayfair.com/furniture/pdp/rosalind-wheeler-miah-tv-stand-for-tvs-up-to-60-w002831147.html>.

Grendel TV Stand; Wayfair.com; found online Apr. 21, 2021; retrieved May 4, 2021 (online); <https://www.wayfair.com/furniture/pdp/gracie-oaks-grendel-tv-stand-for-tvs-up-to-65-w003337326.html>.

Heger TV Stand; Wayfair.com; found online Apr. 21, 2021; retrieved May 4, 2021 (online); <https://www.wayfair.com/furniture/pdp/gracie-oaks-heger-tv-stand-for-tvs-up-to-65-w002101430.html>.

Erwine TV Stand; Wayfair.com; found online Apr. 21, 2021; retrieved May 4, 2021 (online); https://www.wayfair.com/furniture/pdp/gracie-oaks-erwine-tv-stand-for-tvs-up-to-65-w004339905.html?categoryId=1868409&placement=3&slot=4&sponsoredid=0ca938f17db89643b10f637f9b2b9c0dba95bcc09d09607add3721a8a0b5e2dc&_txid=I%2FcmXF%2B1T41hnharBpMJA%3D%3D&isB2b=0&auctionId=f9be48b1-0bcd-4aaf-b285-dbb3ea880db5.

(56)

References Cited

OTHER PUBLICATIONS

Sliding Barn Door Television Stand; Amazon.com; found online Apr. 21, 2021 retrieved May 4, 2021 (online); https://www.amazon.com/Home-Accent-Furnishings-Sliding-Television/dp/B07DKX44QQ/ref=sr_1_6?dchild=1&keywords=sliding+barn+door+tv+stand&qid=1603301187&sr=8-6.

Farmhouse Sliding Barn Door TV Stand; Amazon.com; found online Apr. 21, 2021; retrieved May 4, 2021 (online); https://www.amazon.com/Rainbow-Sophia-Forest-Wooden-Sliding/dp/B081VWRSLK/ref=sr_1_2?dchild=1&keywords=sliding+barn+door+tv+stand&qid=1603301187&sr=8-2.

GHQME Sliding Barn Door TV Stand; Amazon.com; found online Apr. 21, 2021; retrieved May 4, 2021 (online); https://www.amazon.com/GHQME-Table%EF%BC%8CWood-Universal-Stand%EF%BC%8CLiving-Entertainment/dp/B083BJR9YF/ref=sr_1_1_sspa?dchild=1&keywords=sliding+barn+door+tv+stand&qid=1603301187&sr=8-1-spons&psc=1&spLa=ZW5jenlwdGVkUXVhbGlmaWVyPUEExVTAYT1hNVdkiVIVRJM VuY3J5cHRIZElkPUeWmJgxMjgwMVVKTE5HRkdKR0UyTCZlbnNyeXB0ZWRBZEIkPUeWmNzQ5NzU4M1BEN0wyMFpMNUgxQSZ3aWRnZXROYWlIPXNwX2F0ZiZhY3Rpb249Y2xpY2tSZWRpcmVjdCZkb05vdExvZ0NsaW NrPXRydWU=.

Pamari Wrangler Sliding Barn Door TV Stand; Amazon.com; found online Apr. 21, 2021; retrieved May 4, 2021 (online); https://www.amazon.com/dp/B07KSMQH4D/ref=dp_cr_wdg_tit_nw_mr.

The Gray Barn Berkley TV Stand; Overstock.com; found online Apr. 21, 2021; retrieved May 4, 2021 (online); <https://www.overstock.com/Home-Garden/Convenience-Concepts-Blake-Barn-Door-TV-Stand/28387177/product.html?recalg=954%2C873%2C839&recidx=2&recset=0a8617dc-0d40-4dcf-b57f-7220ec2436da&refccid=2NUDESYSZPUIPKBLPZR6M7VUE>.

The Gray Barn Ansley Media Console; Overstock.com; found online Apr. 21, 2021; retrieved May 4, 2021 (online); <https://www.overstock.com/Home-Garden/Entertainment-Centers/2029/subcat.html?featuredproduct=31934591>.

Barn Door Rustic TV Stand; Overstock.com; found online Apr. 21, 2021; retrieved May 4, 2021 (online); <https://www.overstock.com/Home-Garden/TV-Stand-for-TVs-up-to-60-inches/30841483/product.html?TID=PDP%3ASimilarItemsCarousel%3Aclick&recalg=954%2C930&recidx=0&recset=0f33724c-aeb3-4523-8c14-9d784eb7cf87&refccid=GRRWJGIVNYNLCD2OLNZIHD3SPQ>.

Ktaxon 58' Farmhouse TV Stand; Walmart.com; found online Apr. 21, 2021; retrieved May 4, 2021 (online); <https://www.walmart.com/ip/Ktaxon-58-Farmhouse-TV-Stand-TVs-60-Sliding-Wood-Barn-Door-Media-Console-Storage-Cabinet-Rustic-Gray-Wash-Entertainment-Center-Living-Room/671965194>.

Sekey Home Sliding Barn Door TV Stand; Walmart.com; found online Apr. 21, 2021; retrieved May 4, 2021 (online); <https://www.walmart.com/ip/Sekey-Home-Sliding-Barn-Door-TV-Stand-Entertainment-Center-TV-Console-for-58-for-Flat-Screen-TV-s-Up-to-65-Light-Oak/458659151>.

Wrangler Sliding Barn Door TV Stand; Walmart.com; found online Apr. 21, 2021; retrieved May 4, 2021 (online); <https://www.walmart.com/ip/pamari-tc54-6127-tpg03-wrangler-sliding-barn-door-tv-stand-off-white/232902955>.

UBesGoo Wooden TV Stand; Walmart.com; found online Apr. 21, 2021; retrieved May 5, 2021 (online); <https://www.walmart.com/ip/UBesGoo-Wooden-58-TV-Stand-for-TVs-up-to-60-with-Sliding-Wood-Barn-Door-Media-Console-Storage-Cabinet-for-Living-Room-Bedroom-Rustic-Gray-Wash/152098747>.

Walker Edison White Oak Sliding Barn Door Media Console; Walmart.com; found online Apr. 21, 2021; retrieved May 5, 2021 (online); https://www.walmart.com/ip/58-inch-Sliding-Barn-Door-TV-Stand-Media-Console-in-White-Oak/207240611?wpa_bd=&wpa_pg_seller_id=203317B21FE947819EB684DAE150ECA5&wpa_ref_id=wpaqs:d_0rLoQQqieprA9uyaaVHrAzrOtC-Wq7We-HPBeJZ4x2Sw4Gpn_0lhz5qru9K6ySqAW-QcvE3KfQy194-h8-MvmpzeSFJim72C-yCvH2OltMjV0nstG23HBInTx63HkquiB05hGWHy8kVH0xlaFLkbyfv2FAVWjeQNq2bW_hy9-0QU8KSQFz6Qk0VVS145ek5NrhChuAbB5luyXKyBnz7mBFX5QNg0iDbJF_

agFSWAa0WyLemcKJRpUROh3rkbe2KNnr4XI_but_fHW0gMo6IGSyxVrdkdPvJOExzLt4pA&wpa_tag=&wpa_aux_info=&wpa_pos=1&wpa_plmt=1145x1145_T-C-IG_TI_1-2_HL-INGRID-GRID-NY&wpa_aduid=5766f3ab-d7ae-4319-80dd-6f96862cee51&wpa_pg=search&wpa_pg_id=sliding%20barn%20door%20tv%20stand&wpa_st=sliding%2Bbarn%2Bdoor%2Btv%2Bstand&wpa_tax=4044_103150_635499_2546222&wpa_bucket=_bkt_

Albright TV Stand; Wayfair.com; found online Apr. 21, 2021; retrieved May 3, 2021 (online); <https://www.wayfair.com/furniture/pdp/three-posts-albright-tv-stand-w003419693.html?placement=1>.

Chantell TV Stand; Wayfair.com; found online Apr. 21, 2021; retrieved May 5, 2021 (online); <https://www.wayfair.com/furniture/pdp/latitude-run-chantell-tv-stand-for-tvs-up-to-65-lrun1015.html>.

Gainesboro TV Stand; Wayfair.com; found online Apr. 21, 2021; retrieved May 5, 2021 (online); <https://www.wayfair.com/furniture/pdp/winston-porter-gainesboro-tv-stand-for-tvs-up-to-65-w003895133.html>.

Albritton TV Stand; Wayfair.com; found online Apr. 21, 2021; retrieved May 5, 2021 (online); <https://www.wayfair.com/furniture/pdp/three-posts-albritton-tv-stand-for-tvs-up-to-65-w003404447.html?placement=1>.

Chabelli TV Stand; Wayfair.com; found online Apr. 21, 2021; retrieved May 5, 2021 (online); https://www.wayfair.com/furniture/pdp/latitude-run-chabelli-tv-stand-for-tvs-up-to-65-w004029827.html?categoryid=1868409&placement=3&slot=5&sponsoredid=bb92fbde3cc952ed7e2c82697812cb88232c512191dad5893e80ad17d6adb05f&_txid=I%2FcmXF%2B1T41hnharBpMJAg%3D%3D&isB2b=0&auctionId=f9be48b1-0bcd-4aaf-b285-dbb3ea880db5.

Gaither TV Stand; Wayfair.com; found online Apr. 21, 2021; retrieved May 5, 2021 (online); <https://www.wayfair.com/furniture/pdp/alcott-hill-gaither-tv-stand-for-tvs-up-to-65-with-fireplace-included-acot3821.html>.

Plazonja TV Stand; Wayfair.com; found online Apr. 21, 2021; retrieved May 5, 2021 (online); <https://www.wayfair.com/furniture/pdp/winston-porter-plazonja-tv-stand-for-tvs-up-to-75-w002590978.html>.

Alisée Console; Wayfair.com; found online Apr. 21, 2021; retrieved May 5, 2021 (online); <https://www.wayfair.com/furniture/pdp/ebern-designs-alisee-tv-stand-for-tvs-up-to-78-w002981803.html>.

Bolderberg Console; Wayfair.com; found online Apr. 21, 2021; retrieved May 5, 2021 (online); <https://www.wayfair.com/furniture/pdp/winston-porter-bolderberg-tv-stand-for-tvs-up-to-78-w003404204.html?placement=1>.

Dunsmuir TV Stand; Wayfair.com; found online Apr. 21, 2021; retrieved May 5, 2021 (online); <https://www.wayfair.com/furniture/pdp/andover-mills-dunsmuir-tv-stand-for-tvs-up-to-78-w002122263.html>.

Annaliece TV Stand; Wayfair.com; found online Apr. 21, 2021; retrieved May 5, 2021 (online); <https://www.wayfair.com/furniture/pdp/red-barrel-studio-annaliece-tv-stand-for-tvs-up-to-78-w004115724.html>.

Straughn TV Stand; Wayfair.com; found online Apr. 21, 2021; retrieved May 5, 2021 (online); <https://www.wayfair.com/furniture/pdp/gracie-oaks-straughn-tv-stand-for-tvs-up-to-78-w004455598.html>.

Strausstown TV Stand; Wayfair.com; found online Apr. 21, 2021; retrieved May 5, 2021 (online); <https://www.wayfair.com/furniture/pdp/gracie-oaks-strausstown-tv-stand-for-tvs-up-to-78-w004458013.html>.

Adcock TV Stand; Wayfair.com; found online Apr. 21, 2021; retrieved May 5, 2021 (online); <https://www.wayfair.com/furniture/pdp/andover-mills-adcock-tv-stand-for-tvs-up-to-78-w004124702.html?placement=7>.

Gaudreau TV Stand; Wayfair.com; found online Apr. 21, 2021; retrieved May 5, 2021 (online); <https://www.wayfair.com/furniture/pdp/red-barrel-studio-gaudreau-solid-wood-tv-stand-for-tvs-up-to-78-qdy2069.html>.

Himrod TV Stand; Wayfair.com; found online Apr. 21, 2021; retrieved May 5, 2021 (online); <https://www.wayfair.com/furniture/pdp/loon-peak-himrod-tv-stand-for-tvs-up-to-78-w004412411.html>.

(56)

References Cited

OTHER PUBLICATIONS

Mouton TV Stand; Wayfair.com; found online Apr. 21, 2021; retrieved May 5, 2021 (online); <https://www.wayfair.com/furniture/pdp/foundry-select-mouton-tv-stand-for-tvs-up-to-78-w001812510.html>.

Humphery TV Stand; Google Search; Wayfair.com; found online Apr. 21, 2021; retrieved May 10, 2021 (online); <https://www.hickoryfurniture.com/itembrowser.aspx?action=attributes&itemtype=furniture&event=reset&wsearch=bridgeport>.

Vigue TV Stand; Wayfair.com; found online Apr. 21, 2021; retrieved May 5, 2021 (online); <https://www.wayfair.com/furniture/pdp/foundry-select-vigue-tv-stand-for-tvs-up-to-78-w002881900.html>.

Gorete TV Stand; Wayfair.com; found online Apr. 21, 2021; retrieved May 5, 2021 (online); <https://www.wayfair.com/furniture/pdp/latitude-run-gorete-tv-stand-for-tvs-up-to-78-w004589072.html>.

Alcott Hill TV Stand with Fireplace; Wayfair.com; found online Apr. 21, 2021; retrieved May 5, 2021 (online); <https://www.wayfair.com/furniture/pdp/alcott-hill-santa-tv-stand-for-tvs-up-to-70-with-fireplace-included-w001442995.html?piid=1644522337>.

West Elm Website "furniture" search; Westelm.com; retrieved Apr. 20, 2020 (online); https://www.westelm.com/shop/furniture/?searchdir=true&cm_sp=HeaderLinks_-_OnsiteSearch_-_MainSite&cm_type=OnsiteSearch&term=furniture&searchredirtype=br.

Raymour Flanigan Website "Living Rooms" search; raymourflanigan.com; retrieved Nov. 6, 2020 (online); <https://raymourflanigan.com/living-rooms>.

Crate and Barrel Website "Business Interior Design" search; crateandbarrel.com; retrieved Nov. 6, 2020 (online); https://www.crateandbarrel.com/trade-program/?a=784&campaignid=1061902950&adgroupid=55881134521&targetid=aud-1097585102856:kwd-415008832538&adpos=&creative=251673559670&device=c&matchtype=e&network=g&gclid=Cj0KCQjwytOEBhD5ARIsANnRjVgCRKanmeP5yMquG6rsNP7KAU-nUpzG5NfgZU-PhRCRUgz507ltaAhvLEALw_wcB.

Crate and Barrel Website "Business Office Design" search; crateandbarrel.com; retrieved Nov. 6, 2020 (online); <https://www.crateandbarrel.ca/trade-program/>.

Penny Mustard Website "Bridgeport" search; pennymustard.com; retrieved May 13, 2020 (online); <https://www.pennymustard.com/search.inc?q=bridgeport&p=1>.

Home Living Furniture Website "coaster furniture, bridgeport, servers" search; homelivingfurniture.com; retrieved May 13, 2020 (online); https://www.homelivingfurniture.com/st/_t_/105525.

Whitley Furniture Website "dining room, gat-creek, curio cabinets, bridgeport" search; whitleygalleries.com; retrieved May 13, 2020 (online); <https://www.whitleygalleries.com/gat-creek-bridgeport-four-door-cabinet/81593-1137/iteminformation.aspx>.

Oak Finish 70-Inch TV Stand, <https://www.inspireq.com/products/oak-finish-tv-stand-e976ak-t>, retrieved Jun. 2, 2021.

Grey Wash Finish TV Stand, <https://www.inspireq.com/collections/living-room/products/grey-wash-finish-tv-stand-with-door-e975gat>, retrieved Jun. 2, 2021.

Matte Black Finish Metal Coat Rack with Ladder Shelf, <https://www.inspireq.com/collections/home-decor/products/matte-black-finish-metal-coat-rack-with-ladder-shelf-e824bk>, retrieved Jun. 2, 2021.

Sadie Low Bookshelf, https://www.homethreads.com/products/furniture/tv-stands/sadie-low-bookshelf-oak?gclid=CjwKCAjwJ2FBhAuEiwAIKu19o3PBxz3p9PodtUUqKh6fPJHib_PGIulJBjNuddyHp8BBTK412S1BoCgOoQAvD_BwE, retrieved Jun. 2, 2021, available on information and believe as early as Aug. 2013.

Ameriwood Home Farmington Electric Fireplace TV Console for TVs up to 60", Rustic, https://www.amazon.com/Ameriwood-Home-Farmington-Electric-Fireplace/dp/B01JADOQ52/ref=dp_prsubs_1?pd_rd_i=B01JADOQ52&psc=1, retrieved Jun. 2, 2021, available on information and believe as early as Jul. 2016.

Farmington 60 in. Century Barn Pine Wood TV Stand with 2 Drawer Fits TVs Up to 60 in. with Storage Doors, <https://www.homedepot.com/pep/Altra-Furniture-Farmington-60-in-Century-Barn->

Pine-Wood-TV-Stand-with-2-Drawer-Fits-TVs-Up-to-60-in-with-Storage-Doors-1783215PCOM/300318849?source=shoppingads&locale=en-US&mtc=Shopping-BA-F_HDH-G-D59-59_34_INTERIOR_FURNITURE-MULTI-NA-Feed-PLA-NA-NA-059_034_006_HOME_ENTERTAINMENT_FURN_Home_Entertainment&cm_mmc=Shopping-BA-F_HDH-G-D59-59_34_INTERIOR_FURNITURE-MULTI-NA-Feed-PLA-NA-NA-059_034_006_HOME_ENTERTAINMENT_FURN_Home_Entertainment-7170000051494672-58700004993904823-92700061190272430&gclid=CjwKCAjwJ2FBhAuEiwAIKu19pVm9Q_uSEY88T0eOkNffZ8IAfWHtpcxTuqczP5-EYfeixW15etjLxoCh_QQAvD_BwE&gclsrc=aw.ds, retrieved Jun. 2, 2021, available on information and believe as early as Dec. 2015.

DIY Media Console—Free Plans, <https://www.shanty-2-chic.com/2015/07/diy-media-console-free-plans.html>, retrieved Jun. 2, 2021, available on information and believe as early as Jul. 2015.

DIY Barn Door Media Console, <https://www.shanty-2-chic.com/2014/06/diy-barn-door-media-console.html>, retrieved Jun. 2, 2021, available on information and believe as early as Jun. 2014.

Joss & Main TV Stand, available on information and believe as early as Jul. 2015.

Rogue Engineer, DIY Rustic Media Center, <https://rogueengineer.com/diy-rustic-media-center-plans/>, retrieved Jun. 2, 2021, available on information and believe as early as Jul. 2015.

Ameriwood Home Bloomfield Natural/Heritage Light Pine TV Stand, <https://www.lowes.com/pd/Ameriwood-Home-Bloomfield-TV-Stand-for-TVs-up-to-60-in-Natural/1003087852>, retrieved Jun. 2, 2021.

Custom 9-Foot Rustic Buffet, <https://www.pinterest.com/pin/40250990400157640/>, retrieved Jun. 2, 2021, available on information and believe as early as Jan. 2017.

Sauder Dakota Pass Credenza, https://us.amazon.com/dp/B01GK8VWPC/ref=sbl_dp_x_B07LGGGCFQ_0, retrieved Jun. 2, 2021, available on information and believe as early as Mar. 2016.

Aspen Antique Red 64" TV Stand, <https://www.sancarlosimports.com/asanredtvst.html>, retrieved Jun. 2, 2021, available on information and believe as early as Dec. 2015.

San Carlos Imports Santiago TV Stand, available on information and believe as early as Dec. 2015.

San Carlos Imports San Felipe TV Stand, available on information and believe as early as Dec. 2015.

Aspen Antique Multi Color 76" TV Stand, <https://www.pinterest.com/pin/315040936427682950/>, retrieved Jun. 2, 2021, available on information and believe as early as Dec. 2015.

San Carlos 65" Rustic TV Stand with Cross, <https://www.sancarlosimports.com/rustic-tv-stand-cross.html>, retrieved Jun. 2, 2021, available on information and believe as early as Dec. 2015.

Laredo Rustic 60" TV Stand, <https://www.pinterest.com/pin/37295503137850917/>, retrieved Jun. 2, 2021, available on information and believe as early as Dec. 2015.

San Carlos 48" TV Stand, <https://www.sancarlosimports.com/sanca48rutvs.html>, retrieved Jun. 2, 2021, available on information and believe as early as Dec. 2015.

Mountain Modern Cabinet, available on information and believe as early as Oct. 2015.

Safavieh American Homes Collection Sadie Low Bookshelf, Oak, retrieved from <https://www.amazon.com/Safavieh-AMH6525C-American-Collection-Bookshelf/dp/B00MMBHHVK> on Jun. 3, 2021.

Safavieh American Homes Collection Sadie Off White Low Bookshelf, found online on May 12, 2021 at https://www.amazon.com/dp/B004LGP9F0/ref=cm_sw_su_dp?tag=50kud003-20&th=1, retrieved Jun. 3, 2021.

Safavieh Sadie Low Bookshelf, found online at <https://web.archive.org/web/20150327201221/https://safavieh.com/furniture/bookcases/amh6525c>, retrieved Jun. 3, 2021, available on information and belief as early as Mar. 27, 2015.

Safavieh Sadie Country Nautical Low Bookshelf, found online on May 10, 2021 at <https://www.walmart.com/ip/Safavieh-Sadie-Country-Nautical-Low-Bookshelf/37549808?selected=true>, retrieved Jun. 3, 2021.

UHURU Furniture & Collectibles Long Low Wooden Bookcase, found online at <https://uhurufurniture.blogspot.com/2011/08/long->

(56)

References Cited

OTHER PUBLICATIONS

low-wooden-bookcase-90.html, retrieved Jun. 3, 2021, available on information and belief as early as Aug. 17, 2011.

Woven Paths Open Storage TV Stand for TVs up to 80", Espresso, found online on May 10, 2021 at <https://www.walmart.com/ip/Woven-Paths-Open-Storage-TV-Stand-for-TVs-up-to-80-Espresso/411955245>, retrieved Jun. 3, 2021.

Farmhouse TV Credenza in Orchard Oak Finish; <https://www.sauder.com/furniture/427687/farmhouse-tv-credenza-in-orchard-oak-finish>; Retrieved Apr. 19, 2022.

Accent Storage Cabinet; <https://www.sauder.com/furniture/422473/accent-storage-cabinet>; Retrieved Apr. 19, 2022.

Credenza; <https://www.sauder.com/furniture/419119/credenza>; Retrieved Apr. 19, 2022.

Fireplace TV Credenza with Glass Doors; <https://www.sauder.com/furniture/427377/fireplace-tv-credenza-with-glass-doors>; Retrieved Apr. 19, 2022.

Sauder Barrister Lane Media Fireplace, for TVs up to 60", Salt Oak finish; https://www.amazon.com/Sauder-Barrister-Fireplace-Entertainment-Accommodates/dp/B07GC88LRN/ref=sr_1_49?dchild=1&keywords=sauder&qid=1631797685&sr=8-49; retrieved Apr. 19, 2022.

Cye-Way Inc. Ladonia TV Stand for TVs up to 65" (no URL).

Cye-Way Inc. TV Stand for TVs up to 55" with Fireplace Included (no URL).

Edgewood TV Console with Fireplace for TVs up to 60", Distressed Brown Oak; <http://www.altrafurniture.com/eng/Products/Fireplaces/Details/7766-1819096COM-Edgewood-TV-Console-wlth-Fireplace-for-TVs-up-to-60,-Distressed-Brown-Oal> (no URL).

Coridon TV Stand for TVs up to 65" by Gracie Oaks; <https://www.wayfair.com/furniture/pdp/gracie-oaks-coridon-tv-stand-for-tvs-up-to-65-w005934624.html>; Retrieved on Apr. 28, 2022.

Speer 40" Tall 2—Door Accent Cabinet; <https://www.wayfair.com/furniture/pdp/gracie-oaks-speer-2-door-accent-cabinet-w003036688.html>; Retrieved on Apr. 28, 2022.

Talamantez TV Stand for Ts up to 50" by Gracie Oaks; <https://www.wayfair.com/furniture/pdp/gracie-oaks-talamantez-tv-stand-for-tvs-up-to-50-w000082662.html>; Retrieved on Apr. 28, 2022.

Coridon 33" Tall 2—Door Accent Cabinet by Gracie Oaks; <https://www.wayfair.com/furniture/pdp/gracie-oaks-coridon-2-door-accent-cabinet-w007417683.html> Retrieved on Apr. 28, 2022.

Eberardo TV Stand for TVs up to 58" by Gracie Oaks; <https://www.wayfair.com/furniture/pdp/gracie-oaks-eberardo-tv-stand-for-tvs-up-to-58-w002730362.html>; Retrieved on Apr. 28, 2022.

Canyonlands TV Stand for TVs up to 60" with Fireplace Included by Gracie Oaks; <https://www.wayfair.com/furniture/pdp/gracie-oaks-canyonlands-tv-stand-for-tvs-up-to-60-with-electric-fireplace-included-w003423049.html>; Retrieved on Apr. 28, 2022.

Orianne 55" Wide 2 Drawer Sideboard by Gracie Oaks by Gracie Oaks; <https://www.wayfair.com/furniture/pdp/gracie-oaks-orianne-55-wide-2-drawer-sideboard-w003261524.html>; Retrieved on Apr. 28, 2022.

Terence TV Stand for TVs up to 48" by Gracie Oaks; <https://www.wayfair.com/furniture/pdp/gracie-oaks-terence-tv-stand-for-tvs-up-to-48-w005000943.html>; Retrieved on Apr. 28, 2022.

Wayne Wood 9 Pair Shoe Storage Cabinet by Gracie Oaks; <https://www.wayfair.com/storage-organization/pdp/gracie-oaks-wayne-wood-9-pair-shoe-storage-cabinet-w003600913.html>; Retrieved on Apr. 28, 2022.

Theobald 25" Tall End Table by Gracie Oaks; <https://www.wayfair.com/furniture/pdp/gracie-oaks-theobald-end-table-with-storage-w005274882.html>; Retrieved on Apr. 28, 2022.

Soza TV Stand for TVs up to 65" with Fireplace Included by Gracie Oaks; <https://www.wayfair.com/furniture/pdp/gracie-oaks-soza-tv-stand-for-tvs-up-to-65-with-electric-fireplace-included-w003573842.html>; Retrieved on Apr. 28, 2022.

Seabeck TV Stand for TVs up to 55" with Fireplace Included by Gracie Oaks; <https://www.wayfair.com/furniture/pdp/gracie-oaks-seabeck-w004878945.html>; Retrieved on Apr. 28, 2022.

Hadria TV Stand for TVs up to 65" by Gracie Oaks; <https://www.wayfair.com/furniture/pdp/gracie-oaks-hadria-tv-stand-for-tvs-up-to-65-w004292348.html>; Retrieved on Apr. 28, 2022.

Garden City TV Stand for TVs up to 65" by Gracie Oaks; <https://www.wayfair.com/furniture/pdp/gracie-oaks-garden-city-tv-stand-for-tvs-up-to-65-w002818215.html>; Retrieved on Apr. 28, 2022.

Dougan TV Stand for TVs up to 65" with Fireplace Included by Gracie Oaks; <https://www.wayfair.com/furniture/pdp/gracie-oaks-dougan-tv-stand-for-tvs-up-to-65-with-electric-fireplace-included-w000061918.html>; Retrieved on Apr. 28, 2022.

Soynov TV Stand for TVs up to 65" with Fireplace Included by Gracie Oaks; <https://www.wayfair.com/furniture/pdp/gracie-oaks-soynov-tv-stand-for-tvs-up-to-65-with-electric-fireplace-included-w003572931.html>; Retrieved on Apr. 28, 2022.

Mastrangelo TV Stand for TVs up to 65" with Fireplace Included by Gracie Oaks; <https://www.wayfair.com/furniture/pdp/gracie-oaks-mastrangelo-tv-stand-for-tvs-up-to-65-with-fireplace-included-w003239856.html>; Retrieved on Apr. 28, 2022.

Laurena TV Stand for TVs up to 65" by Gracie Oaks; <https://www.wayfair.com/furniture/pdp/gracie-oaks-laurena-tv-stand-for-tvs-up-to-65-w004552097.html>; Retrieved on Apr. 29, 2022.

Goldsboro TV Stand for TVs up to 50" with Fireplace Included by Gracie Oaks; <https://www.wayfair.com/furniture/pdp/gracie-oaks-goldsboro-tv-stand-for-tvs-up-to-50-with-electric-fireplace-included-w004365440.html>; Retrieved on Apr. 29, 2022.

2 Door Apothecary Accent Cabinet by Gracie Oaks; <https://www.shopstyle.com/g/living/gracie-oaks/2-door-apothecary-accent-cabinet-color-gray/866040563>; Retrieved on Apr. 29, 2022.

Rosenbloom TV Stand for TVs up to 65" by Laurel Foundry Modern Farmhouse; <https://www.wayfair.com/furniture/pdp/gracie-oaks-rosenbloom-tv-stand-for-tvs-up-to-65-w004646275.html> Retrieved on Apr. 29, 2022.

Clematite TV Stand for TVs up to 65" by Gracie Oaks; <https://www.wayfair.com/furniture/pdp/gracie-oaks-clematite-tv-stand-for-tvs-up-to-65-w003025551.html>; Retrieved on Apr. 29, 2022.

Theis 29.9" Wide Hall Tree with Shoe Storage by Gracie Oaks; <https://www.wayfair.com/furniture/pdp/gracie-oaks-theis-hall-tree-w006116080.html>; Retrieved on Apr. 29, 2022.

Zayyan TV Stand for TVs up to 65" with Fireplace Included by Gracie Oaks; <https://www.wayfair.com/furniture/pdp/gracie-oaks-zayyan-tv-stand-for-tvs-up-to-65-with-electric-fireplace-included-w003158283.html>; Retrieved on Apr. 29, 2022.

Rosenblatt TV Stand for TVs up to 88" with Fireplace Included by Laurel Foundry Modern Farmhouse; <https://www.wayfair.com/furniture/pdp/rosenblatt-tv-stand-for-tvs-up-to-88-with-electric-fireplace-included-w000339756.html>; Retrieved on Apr. 29, 2022.

Khouribga TV Stand for TVs up to 58" by Gracie Oaks; <https://www.wayfair.com/furniture/pdp/gracie-oaks-khouribga-tv-stand-for-tvs-up-to-58-w004406142.html>; Retrieved on Apr. 29, 2022.

Chouhan 30" Console Table by Gracie Oaks; <https://www.wayfair.com/furniture/pdp/gracie-oaks-chouhan-30-console-table-w003438515.html>; Retrieved on Apr. 29, 2022.

Alayziah 52" Wide Buffet Table by Gracie Oaks; <https://www.wayfair.com/furniture/pdp/gracie-oaks-alayziah-52-wide-buffet-table-w003233776.html>; Retrieved on Apr. 29, 2022.

Kulap 51.87" Wide Buffet Table by Gracie Oaks; <https://www.wayfair.com/furniture/pdp/gracie-oaks-kulap-5187-wide-buffet-table-w005160419.html>; Retrieved on Apr. 29, 2022.

Belleze Modern 58 Inch Farmhouse TV Stand & Media Entertainment Center Console Table for TVs up to 65 Inch with Two Shelves and Storage Cabinets—Hilo (Sargent Oak); https://www.amazon.com/dp/B085SZGDBC/ref=sspa_dk_detail_0?pd_rd_i=B085SZGDBC&pd_rd_w=fnZlz&pf_rd_p=48d372c1-f7e1-4b8b-9d02-4bd86f5158c5&pd_rd_wg=yFmhh&pf_rd_r=GSVBZ5XVRK4VH0YGGYF&pd_rd_r=da233890-cbb8-4a32-8964-f4ed978b9d32&spLa=ZW5jcnlwdGVkUXVhbGlmaWVyPUFES05GM1kwOUoyVUsmZW5jcnlwdGVkSWQ9QTA5NTkyMjMyYVlNIMEE3TTFTzc3JmVuY3J5cHRlZEFkSWQ9QTA5MDM2MzQzMUhhVTFVQNTBJNFZSIndpZGdldE5hbWU9c3BfZGV0YWIsJmFjdGlvbj1jbGlja1JIZGlyZWNOJmRvTm90TG9nQ2xpY2s9dHJlZQ&th=1; Retrieved Apr. 19, 2022.

Belleze Modern 52 Inch Farmhouse Highboy TV Stand & Media Entertainment Center Console Table for TVs up to 60 Inch with Sliding Barn Door and Storage Cabinets—Parker (Sargent Oak);

(56)

References Cited

OTHER PUBLICATIONS

https://www.amazon.com/BELLEZE-Sliding-Console-Entertainment-Sargent/dp/B085T6CS65/ref=sr_1_117_sspa?dchild=1&keywords=BELLEZE&qid=1586370992&sr=8-117-spons&psc=1&spLa=ZW5jcmlwdGVkUXVhbGlmaWVyPUFQIFJRENARURZQ1MmZW5jcnlwdGVkSWQ9QTAWNTk1MDAxSDhMUESzVIOM0oxJmVuY3J5cHRIZEFkSWQ9QTA1NDAYNjcxRVNGU09BMzIjSVURHJndpZGdlE5hbWU9c3BfbXRmJmFjdGlvbGlja1JIZGlyZWN0JmRvTm90TG9nQ2xpY2s9dHJlZQ==; Retrieved Apr. 19, 2022.

Belleze Modern 50 Inch Farmhouse Electronic Fireplace TV Stand & Media Entertainment Center Console Table for TVs up to 55 Inch with Open Storage Shelves & Cabinets—Kenton (Sargent Oak); https://www.amazon.com/BELLEZE-Traditional-Console-Electric-Fireplace/dp/B081QY7D89/ref=sr_1_49?dchild=1&keywords=BELLEZE&qid=1586369491&sr=8-49&th=1; Retrieved Apr. 19, 2022.

Belleze Preston 57 Inch TV Stand Storage Cabinet Shelves Media Console, Rustic Oak <https://www.walmart.com/ip/BELLEZE-Preston-57-Inch-TV-Stand-Storage-Cabinet-Shelves-Media-Console/570873266>; Retrieved Apr. 19, 2022.

Belleze Fireplace TV Stand Media Entertainment Center—Cayman (Brown); <https://www.walmart.com/ip/BELLEZE-60-Entertainment-Center-TV-Stand-Console-With-Shelves-For-16-25-Inch-W-Fireplace/389600040>; Retrieved Apr. 19, 2022.

Belleze Modern 58 Inch Farmhouse TV Stand & Media Entertainment Center Console Table for TVs up to 65 Inch with Sliding Barn Door and Storage Cabinets—Truman (Espresso); https://www.amazon.com/BELLEZE-Sliding-Console-Entertainment-Sargent/dp/B08D3DQMR5/ref=sr_1_117_sspa?dchild=1&keywords=BELLEZE&qid=1586370992&sr=8-117-spons&spLa=ZW5jcmlwdGVkUXVhbGlmaWVyPUFQIFJRENARURZQ1MmZW5jcnlwdGVkSWQ9QTAWNTk1MDAxSDhMUESzVIOM0oxJmVuY3J5cHRIZEFkSWQ9QTA1NDAYNjcxRVNGU09BMzIjSVURHJndpZGdlE5hbWU9c3BfbXRmJmFjdGlvbGlja1JIZGlyZWN0JmRvTm90TG9nQ2xpY2s9dHJlZQ&th=1; Retrieved Apr. 19, 2022.

Prepac Sonoma 72 inch TV Stand, Espresso; https://www.walmart.com/ip/Sonoma-72-inch-TV-Stand-Espresso/945247253?wmlspartner=wlp&selectedSellerId=0&adid=2222222227&w0=&w1=g&w2=c&w3=341753167656&w4=pla-293946777986&w5=9029714&w6=&w7=&w8=&w9=pla&w10=8175035&w11=online&w12=945247253&veh=sem&gclid=CjwKCAjwkPX0BRBKEiwA7THxiOgc_QK1wR1QW9YqoSdx_uf4dQ2sBw9n8brCJ-Sfp7AwN2vV-nUwXR0CSV8QAvD_BwE.

AV 48 in. Black Composite TV Stand Fits TVs Up to 48 in. with Cable Management; <https://www.homedepot.com/p/Prepac-AV-48-in-Black-Composite-TV-Stand-Fits-TVs-Up-to-48-in-with-Cable-Management-BPV-4701/203055128>; Retrieved Apr. 19, 2022.

AV 48 in. Black Composite TV Stand First TVs Up to 48 in. with Cable Management; <https://www.homedepot.com/p/Prepac-AV-48-in-Black-Composite-TV-Stand-Fits-TVs-Up-to-48-in-with-Cable-Management-BCV-4722/203055129>; Retrieved Apr. 19, 2022.

Assembly Instructions for Z-Line Designs Zen 50" W Plasma/Flat Panel TV Mount Stand Model CC785BO-50S.

Office Action for U.S. Appl. No. 29/743,246, dated May 2, 2022. Notice of Allowance for U.S. Appl. No. 29/815,518, dated May 4, 2022.

U.S. Appl. No. 29/825,551, filed Feb. 2, 2022, Naylor.

U.S. Appl. No. 29/792,312, filed Mar. 21, 2022, Duhadway.

U.S. Appl. No. 29/792,313, filed Mar. 21, 2022, Naylor.

U.S. Appl. No. 29/792,314, filed Mar. 21, 2022, Naylor.

U.S. Appl. No. 29/831,492, filed Mar. 21, 2022, Beckstead.

U.S. Appl. No. 29/830,020, filed Mar. 9, 2022, Naylor.

Notice of Allowance for U.S. Appl. No. 29/773,569; dated Feb. 2, 2022.

Office Action for U.S. Appl. No. 29/720,729, dated Feb. 4, 2022.

Tier Top 2-Door TV Stand by Copper Grove, first available: Sep. 27, 2019. Overstock.com [online], [site visited Jan. 10, 2022], Internet URL: <https://www.overstock.com/Home-Garden/Copper-Grove-60-Tiered-2-Door-TV-Stand-Console-60-x-16-x-28-H/28274571/product.html?opre=1&option=49501574#review-aggregation-region> (Year: 2019).

60-Tiered-2-Door-TV-Stand-Console-60-x-16-x-28 H/2827 4571 /product.html?opre=1&option=49501574#review-aggregation-region (Year: 2019).

Classic 2-Door Tiered TV Console by Home Accent Furnishings, first available: Jun. 16, 2020. Amazon.com [online], [site visited Jan. 10, 2022], Internet URL: <https://www.amazon.com/60-Classic-2-Door-Tiered-Console/dp/B08B BCXJ PS> (Year: 2020).

Office Action for U.S. Appl. No. 29/720,927; dated Feb. 4, 2022. Fireplace TV Console by Carson Carrington, first available: Apr. 10, 2020. Overstock.com [online], [site visited Jan. 10, 2022], Internet URL: <https://www.overstock.com/Home-Garden/Carson-Carrington-60-Fireplace-TV-Console-60-x-16-x-28H/28790125/product.html> (Year: 2020).

TV Stand with Fireplace by Wrought Studio, first available: Sep. 18, 2019. Wayfair.com [online], [site visited Jan. 10, 2022], Internet URL: <https://www.wayfair.com/furniture/pdp/wrought-studio-eglinton-tv-stand-for-tvs-up-to-65-with-electric-fireplace-included-w006544022.html?piid=205535335> (Year: 2019).

Office Action for U.S. Appl. No. 29/720,948; dated Feb. 4, 2022. Industrial 3-Door Buffet Sideboard by Walker Edison, first available: Jul. 18, 2019. Amazon.com [online], [site visited Jan. 10, 2022], Internet URL: https://www.amazon.com/Walker-Edison-Furniture-Company-AZU48RAD3DSG/dp/B07VF58RD6/ref=sr_1_12 (Year: 2019).

Wide Buffet Table by Gracie Oaks, first available: Aug. 23, 2019. Wayfair.com [online], [site visited Jan. 10, 2022], Internet URL: <https://www.wayfair.com/furniture/pdp/gracie-oaks-dostie-48-wide-buffet-table-w006543360.html?piid=625134232> (Year: 2019).

Office Action for U.S. Appl. No. 29/720,734; dated Feb. 8, 2022. Metal Accent TV Console by The Gray Barn, first available: Jul. 31, 2019. Overstock.com [online], [site visited Jan. 10, 2022], Internet URL: <https://www.overstock.com/Home-Garden/The-Gray-Barn-70-Metal-X-Accent-TV-Stand-Console-70-x-16-x-25H/28274605/product.html#review-aggregation-region> (Year: 2019).

Daisy-Jayne TV Stand by Gracie Oaks, first available: Unknown. Wayfair.com [online], [site visited Jan. 10, 2022], Internet URL: <https://www.wayfair.com/furniture/pdp/gracie-oaks-li-aoliving-room-traditional-style-tv-cabinet-entertainment-center-storage-table-2-cabinets-and-2-shelves-suitable-for-tvs-up-to-65-inches-brown-w006674724.html> (Year: 2022) (Year: 2022).

Camargue TV Stand by Williston Forge, first available: Nov. 28, 2021. Website [online], [site visited Jan. 10, 2022], Internet URL: <https://www.wayfair.com/furniture/pdp/williston-forge-camargue-tv-stand-for-tvs-up-to-65-w005578471.html> (Year: 2020).

Enzo Entertainment Center by Foundstone, first available: Feb. 1, 2020. Wayfair.com [online], [site visited Jan. 10, 2022], Internet URL: <https://www.wayfair.com/furniture/pdp/foundstone-enzo-entertainment-center-for-tvs-up-to-78-w004433726.html> (Year: 2020).

Notice of Allowance for U.S. Appl. No. 29/743,423; dated Feb. 16, 2022.

Notice of Allowance for U.S. Appl. No. 29/815,516; dated Feb. 16, 2022.

Office Action for U.S. Appl. No. 29/756,302; dated Feb. 22, 2022. VINGLI Rustic Electric Fireplace TV Stand with Barn Doors, 60 Inch TV Stand with Fireplace, Fireplace Media Console with Remote, White Oak; <https://www.amazon.ca/VINGLI-Rustic-Electric-Fireplace-Console/dp/B08PK1M5Q9>; Found online on Feb. 25, 2022; Retrieved on Feb. 28, 2022.

Vingli Electric Fireplace TV Stand 65 inch, Oak Electric Fireplace Entertainment Center; Retrieved on Feb. 2, 2022 (no url).

Notice of Allowance for U.S. Appl. No. 29/756,303; dated Feb. 24, 2022.

Notice of Allowance for U.S. Appl. No. 29/756,305; dated Feb. 28, 2022.

U.S. Appl. No. 29/814,099, filed Nov. 3, 2021, Naylor.

U.S. Appl. No. 29/818,613, filed Dec. 9, 2021, Beckstead.

U.S. Appl. No. 29/818,153, filed Dec. 7, 2021, Duhadway.

U.S. Appl. No. 29/818,157, filed Dec. 7, 2021, Duhadway.

U.S. Appl. No. 29/815,518, filed Nov. 15, 2021, Packer.

U.S. Appl. No. 29/815,516, filed Nov. 15, 2021, Packer.

U.S. Appl. No. 29/818,147, filed Dec. 7, 2021, Naylor.

U.S. Appl. No. 29/823,713, filed Jan. 19, 2022, Duhadway.

U.S. Appl. No. 29/823,716, filed Jan. 19, 2022, Duhadway.

(56)

References Cited

OTHER PUBLICATIONS

U.S. Appl. No. 29/824,461, filed Jan. 25, 2022, Duhadway.

Notice of Allowance for U.S. Appl. No. 29/756,302; dated Oct. 27, 2021.

Office Action for U.S. Appl. No. 29/756,305; dated Nov. 15, 2021. Notice of Allowance for U.S. Appl. No. 29/743,240; dated Nov. 24, 2021.

Notice of Allowance for U.S. Appl. No. 29/743,418; dated Nov. 24, 2021.

“LuxenHome 3 Piece White Wood Bathroom Furniture Set” <https://www.homesquare.com/LuxenHome-3-Piece-White-Wood-Bathroom-Furniture-Set-2397532-PKG.htm> Found online Nov. 12, 2021; Retrieved on Dec. 2, 2021.

“Luxen Home Wood Farmhouse Storage Cabinet” https://shopping.yahoo.com/product/00810000777488/Luxen-Home-Wood-Farmhouse-Storage-Cabinet?pid=skimlinks_310-10477784&guccounter=1 Found online Nov. 12, 2021; Retrieved on Dec. 2, 2021.

“Luxen Home Rustic Chic Sliding Door Wood Cabinet” https://shopping.yahoo.com/product/00810000772858/Luxen-Home-Rustic-Chic-Sliding-Door-Wood-Cabinet?pid=skimlinks_310-9997530 Found online Nov. 12, 2021; Retrieved on Dec. 2, 2021.

“LuxenHome Sliding Door White Wood Wall Cabinet” <https://www.cymax.com/Sliding-Door-White-Wood-Wall-Cabinet-WHIF1248.htm> Found online Nov. 12, 2021; Retrieved on Dec. 2, 2021.

“LuxenHöme Natural Oak Finish Wine Bar Cabinet with 2 Drawers, Wood Storage Sideboard with Slide Door, Corner Coffee Table with 2-Layer Storage Shelf for Dining Room Kitchen, 32 inch, Oak Color” https://www.amazon.com/LuxenH%C3%B6me-Natural-Cabinet-Drawers-Sideboard/dp/B097TJMMT?ref=ast_sto_dp&th=1 Found online Nov. 12, 2021; Retrieved on Dec. 2, 2021.

“LuxenHöme Weathered Wood Storage Single Barn Door Wall Cabinet, Farmhouse Wall Storage with Shelves Inside, Kitchen Wall Cabinet for Daily use, 22 Inch, Disdressed Wood” https://www.amazon.com/LuxenH%C3%B6me-Weathered-Storage-Farmhouse-Disdressed/dp/B09GL3WNL9/ref=sr_1_51?dchild=1&m=ADLW6LFQJCSW&marketplaceID=ATVPDKIKX0DER&qid=1633737779&s=merchant-items&sr=1-51&th=1 Found online Nov. 12, 2021; Retrieved on Dec. 2, 2021.

“LuxenHöme Pallet Sliding Door Wood Storage Cabinet, Modern Farmhouse Sliding Single Slat Door Storage Console, Coffee Table with Shelves Inside for Kitchen Living Room Bedroom, 32 inch, White/Brown” <https://www.amazon.com/Luxen-Pallet-Sliding-Storage-Cabinet/dp/B08PDV42M3?th=1> Found online Nov. 12, 2021; Retrieved on Dec. 2, 2021.

“WAMPAT Farmhouse Sliding Barn Door Accent Cabinet Buffet Entryway Bar Storage Table for Living Room, Bathroom and Home Kitchen, 35 Inch, White” <https://www.ubuy.co.id/en/product/1NJGSUT4-wampat-farmhouse-sliding-barn-door-accent-cabinet-buffet-entryway-bar-storage-table-for-living-room> Found online Nov. 12, 2021; Retrieved on Dec. 2, 2021.

“BELIFEGORY Barn Door Storage Cabinet, Farmhouse Sliding Barn Door Wood Accent Chest Kitchen Buffet Cabinet with Adjustable Shelves for Entryway Bar Home Office (Grey)” <https://www.ubuy.co.id/en/product/ZFHQXS0-belifegory-barn-door-storage-cabinet-farmhouse-sliding-barn-door-wood-accent-chest-kitchen-buffet-c> Found online Nov. 12, 2021; Retrieved on Dec. 2, 2021.

“Luxen Home Bathroom Wall Storage Cabinet” https://shopping.yahoo.com/product/00810000773121/Luxen-Home-Bathroom-Wall-Storage-Cabinet?pid=skimlinks_310-9997549 Found online Nov. 12, 2021; Retrieved on Dec. 2, 2021.

“Yosef Entertainment Center for TVs up to 55” <https://www.wayfair.com/furniture/pdp/yosef-entertainment-center-for-tvs-up-to-55-w005296062.html> Found online Nov. 12, 2021; Retrieved on Dec. 2, 2021.

“Saugeen TV Stand for TVs up to 64” <https://www.wayfair.com/furniture/pdp/gracie-oaks-saugeen-tv-stand-for-tvs-up-to-64-w003546807.html> Found online Nov. 12, 2021; Retrieved on Dec. 2, 2021.

“Mcglathin TV Stand For TVs Up To 70” <https://cyewayinc.com/collections/tv-stand/products/megloth-in-tv-stand-for-tvs-up-to-70?variant=40149957247139> Found online Nov. 12, 2021; Retrieved on Dec. 2, 2021.

“Concordia TV Stand for TVs up to 65” with Fireplace Included” <https://www.wayfair.com/furniture/pdp/gracie-oaks-concordia-tv-stand-for-tvs-up-to-65-with-fireplace-included-w004032688.html> Found online Nov. 12, 2021; Retrieved on Dec. 2, 2021.

“Uli 48” Solid Wood Kitchen Island” <https://www.wayfair.com/furniture/pdp/gracie-oaks-uli-kitchen-island-oak-butcher-block-top-grks7182.html> Found online Nov. 12, 2021; Retrieved on Dec. 2, 2021.

“Alayziah 52” Wide Buffet Table” <https://www.wayfair.com/furniture/pdp/gracie-oaks-alayziah-52-wide-buffet-table-w003233776.html> Found online Nov. 12, 2021; Retrieved on Dec. 2, 2021.

“Swedish Hill TV Stand for TVs up to 88” with Fireplace Included” <https://www.wayfair.com/furniture/pdp/gracie-oaks-swedish-hill-tv-stand-for-tvs-up-to-88-with-electric-fireplace-included-w000339756.html> Found online Nov. 12, 2021; Retrieved on Dec. 2, 2021.

“Clematite TV Stand for TVs up to 65” <https://www.wayfair.com/furniture/pdp/gracie-oaks-clematite-tv-stand-for-tvs-up-to-65-w003025551.html> Found online Nov. 12, 2021; Retrieved on Dec. 2, 2021.

“Arti TV Stand for TVs up to 65” <https://www.wayfair.com/furniture/pdp/gracie-oaks-arti-tv-stand-for-tvs-up-to-65-w004646275.html> Found online Nov. 12, 2021; Retrieved on Dec. 2, 2021.

“Garden City TV Stand for TVs up to 65” <https://www.wayfair.com/furniture/pdp/gracie-oaks-garden-city-tv-stand-for-tvs-up-to-65-w002818215.html> Found online Nov. 12, 2021; Retrieved on Dec. 2, 2021.

“Seabeck TV Stand for TVs up to 55” with Fireplace Included” <https://www.wayfair.com/furniture/pdp/gracie-oaks-seabeck-w004878945.html> Found online Nov. 12, 2021; Retrieved on Dec. 2, 2021.

“Theobald End Table” <https://www.wayfair.com/furniture/pdp/gracie-oaks-theobald-end-table-with-storage-w005274882.html> Found online Nov. 12, 2021; Retrieved on Dec. 2, 2021.

“Rossitano Solid Wood End Table” <https://www.wayfair.com/furniture/pdp/gracie-oaks-rossitano-end-table-hlds6279.html> Found online Nov. 12, 2021; Retrieved on Dec. 2, 2021.

“Berneau 30.7” Wide Sideboard” <https://www.wayfair.com/furniture/pdp/gracie-oaks-berneau-307-wide-sideboard-w003399479.html> Found online Nov. 12, 2021; Retrieved on Dec. 2, 2021.

“FurnitureR 32 Inch Sideboard Open Storage Cabinet with Sliding Door, 2 Shelves for Kitchen & Dining Furniture, Manufactured Wood” <https://www.amazon.com/FurnitureR-Sideboard-Storage-Furniture-Manufactured/dp/B097PFWYDT> Found online Nov. 12, 2021; Retrieved on Dec. 2, 2021.

“1—Door Accent Cabinet” <https://www.wayfair.com/furniture/pdp/39f-inc-newbarn-cabinet-tnfi2607.html> Found online Nov. 12, 2021; Retrieved on Dec. 2, 2021.

“Newbarn TV Stand” <https://www.homylin.com/products/newbarn-tv-stand> Found online Nov. 12, 2021; Retrieved on Dec. 2, 2021.

“32” Farmhouse Sliding Barn Door Storage Cabinet, Wood Accent Cabinet Kitchen Buffet Cabinet With Adjustable Shelves White” <https://www.walmart.com/ip/Farmhouse-Sliding-Barn-Storage-Cabinet/306453208> Found online Nov. 12, 2021; Retrieved on Dec. 2, 2021.

“TV Stand with Barn Door, 2 Open Compartments, Cable Management, TV Table for TVs up to 57 Inches” <https://www.walmart.com/ip/TV-Stand-with-Barn-Door-2-Open-Compartments-Cable-Management-TV-Table-for-TVs-up-to-57-Inches/935482009> Found online Nov. 12, 2021; Retrieved on Dec. 2, 2021.

“TV Stand with Barn Door, 2 Open Compartments, Cable Management, TV Table for TVs up to 57 Inches Grey” <https://www.walmart.com/ip/TV-Stand-with-Barn-Door-2-Open-Compartments-Cable-Management-TV-Table-for-TVs-up-to-57-Inches-Grey/379595098> Found online Nov. 12, 2021; Retrieved on Dec. 2, 2021.

Office Action for U.S. Appl. No. 29/743,423; dated Dec. 3, 2021.

Office Action for U.S. Appl. No. 29/743,246; dated Dec. 6, 2021.

Notice of Allowance for U.S. Appl. No. 29/743,237; dated Dec. 13, 2021.

(56)

References Cited

OTHER PUBLICATIONS

DIY Media Center / Buffet With Barn Doors; “Against the Grain” video; <https://www.youtube.com/watch?v=IOF-uZeuoXE> ; Found online on Dec. 14, 2021.

Ana White, Grandy Barn Door Console; “How to build barn door console or buffet—free plans by ANA-WHITE.com” <http://www.ana-white.com/woodworking-projects/grandy-barn-door-console> ; Found online on Dec. 14, 2021 ; Retrieved on Dec. 17, 2021.

Notice of Allowance for U.S. Appl. No. 29/743,244; dated Jan. 5, 2022.

Notice of Allowance for U.S. Appl. No. 29/743,247; dated Jan. 5, 2022.

Notice of Allowance for U.S. Appl. No. 29/814,516; dated Jan. 20, 2022.

“Leather Belt Silver Square 2 Inch Buckle” Oct. 11, 2016, bucklemybelt.com, site visited Jan. 4, 2022 <[https:// bucklemybelt.com/products/silver-square-2-inch-leather-belt](https://bucklemybelt.com/products/silver-square-2-inch-leather-belt)> (Year: 2016).

“Superstrut 5-Count 3/4-in Galvanized/Coated Square Washer” Jul. 6, 2018, lowes.com, site visited Jan. 4, 2022 <[https:// www.lowes.com/pd/Superstrut-5-Count-3-4-in-Galvanized-Coated-Square-Washers/32844 72](https://www.lowes.com/pd/Superstrut-5-Count-3-4-in-Galvanized-Coated-Square-Washers/3284472)> (Year: 2018).

“2" Wide Brass Leather Belt . . . ” Mar. 6, 2019, etsy.com, site visited Jan. 4, 2022 <https://www.etsy.com/listing/548206878/2-wide-brass-leather-belt-2-inch-belt?click_key=e4f72ca8f0645d9ccb32a01b02514d7ff873a3aa%3A548206878&click_sum-d7a93e5e&rec_type=ss&ref=landingpage_similar_listing_top-1&frs=1> (Year: 2019).

Notice of Allowance for U.S. Appl. No. 29/743,250; dated Jan. 20, 2022.

Notice of Allowance for U.S. Appl. No. 29/743,584; dated Jan. 20, 2022.

Notice of Allowance for U.S. Appl. No. 29/815,518; dated Jan. 24, 2022.

“The Gray Barn Wind Gap 58-inch Sliding Barn Door TV Console” Nov. 6, 2021, overstock.com, site visited Jan. 3, 2022 <<https://www.overstock.com/Home-Garden/The-Gray-Barn-Wind-Gap-58-Sliding-Barn-Door-TV-Console/21852732/product.html>> (Year: 2021).

“Rustic 68" White Barn-Door Media Console” Apr. 19, 2017, houzz.com, site visited Jan. 3, 2022 <https://www.houzz.com/products/rustic-68-white-barn-door-media-console-prvw-vr-82074454?m_refid=PLA_HZ_82074454_10577457359&device=c&nw=u&gclid=EA1a1QobChMI-6a19byW9QIV9walCR0UqQJUEAQYBSABEGKqlvD_BwE> (Year: 2017).

* cited by examiner

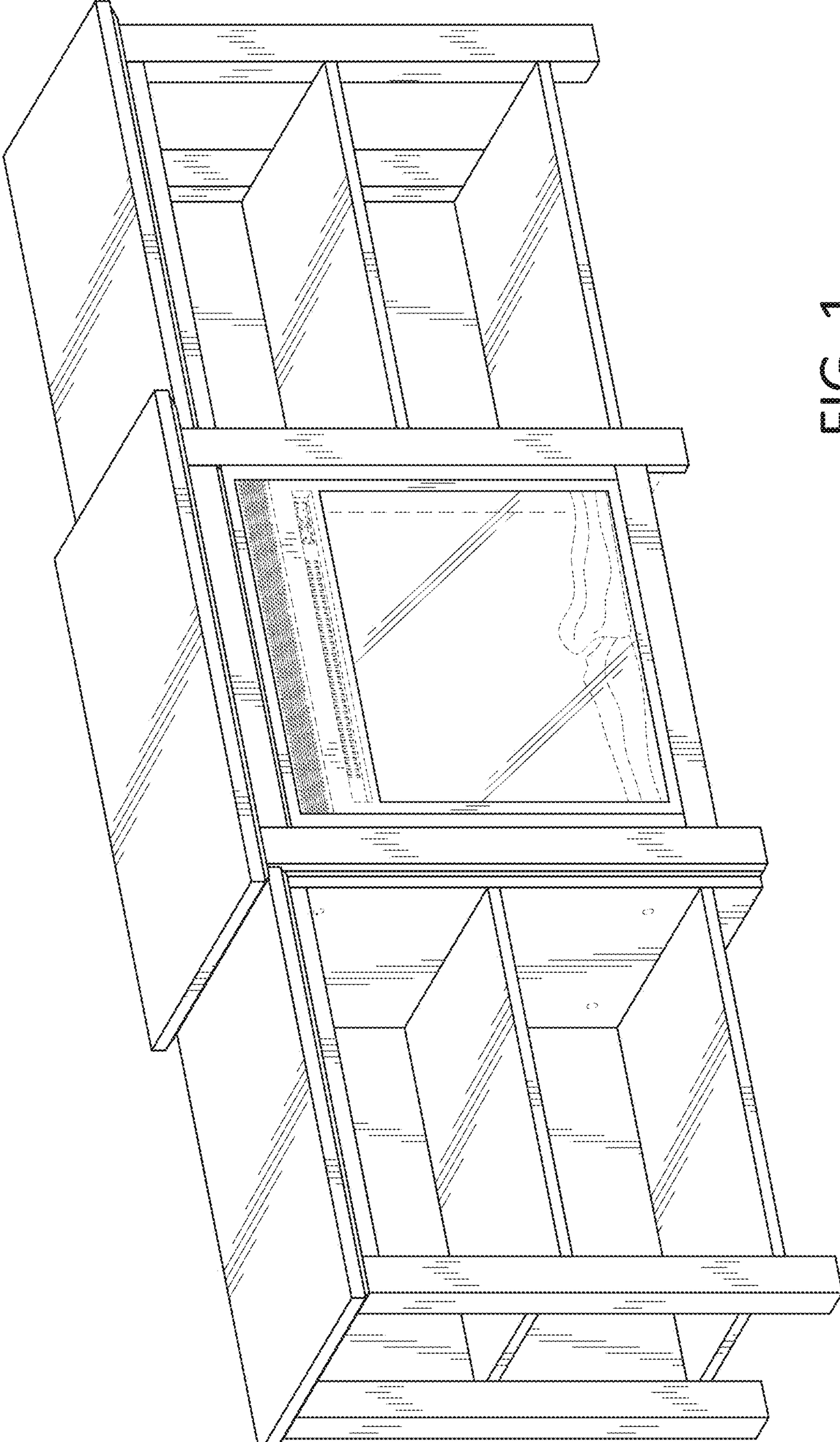


FIG. 1

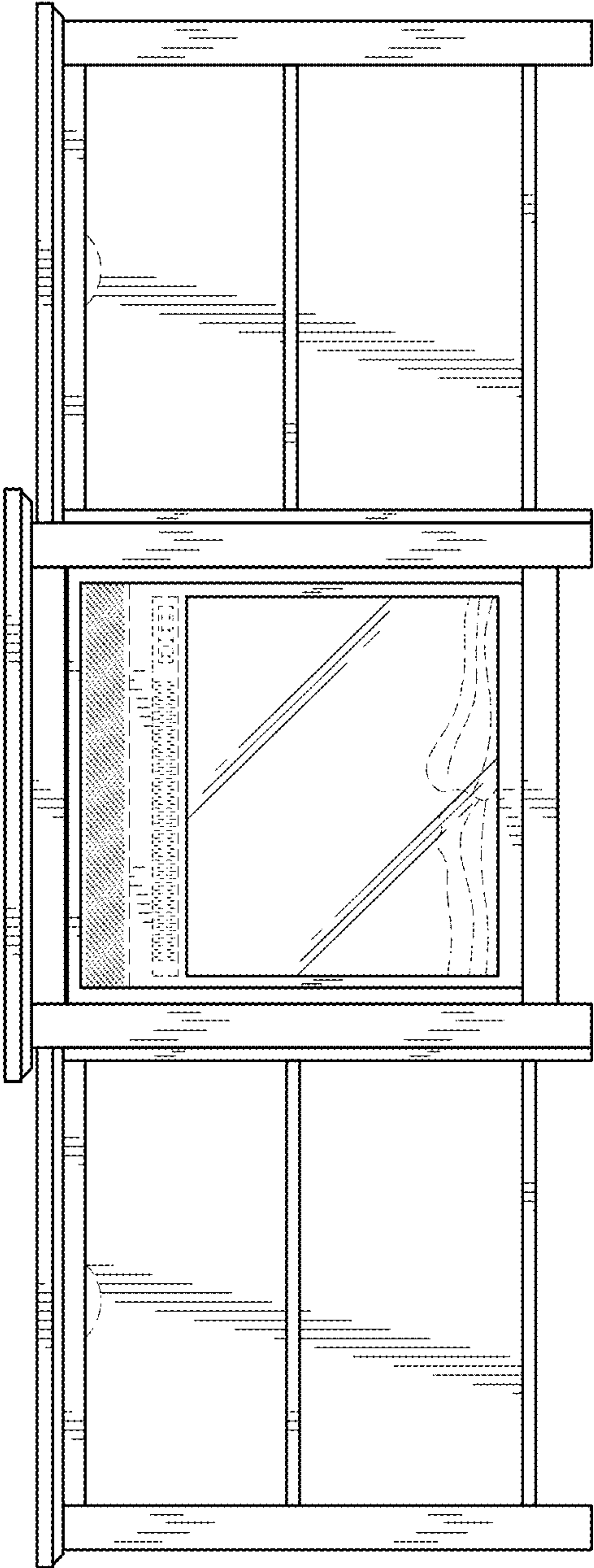


FIG. 2

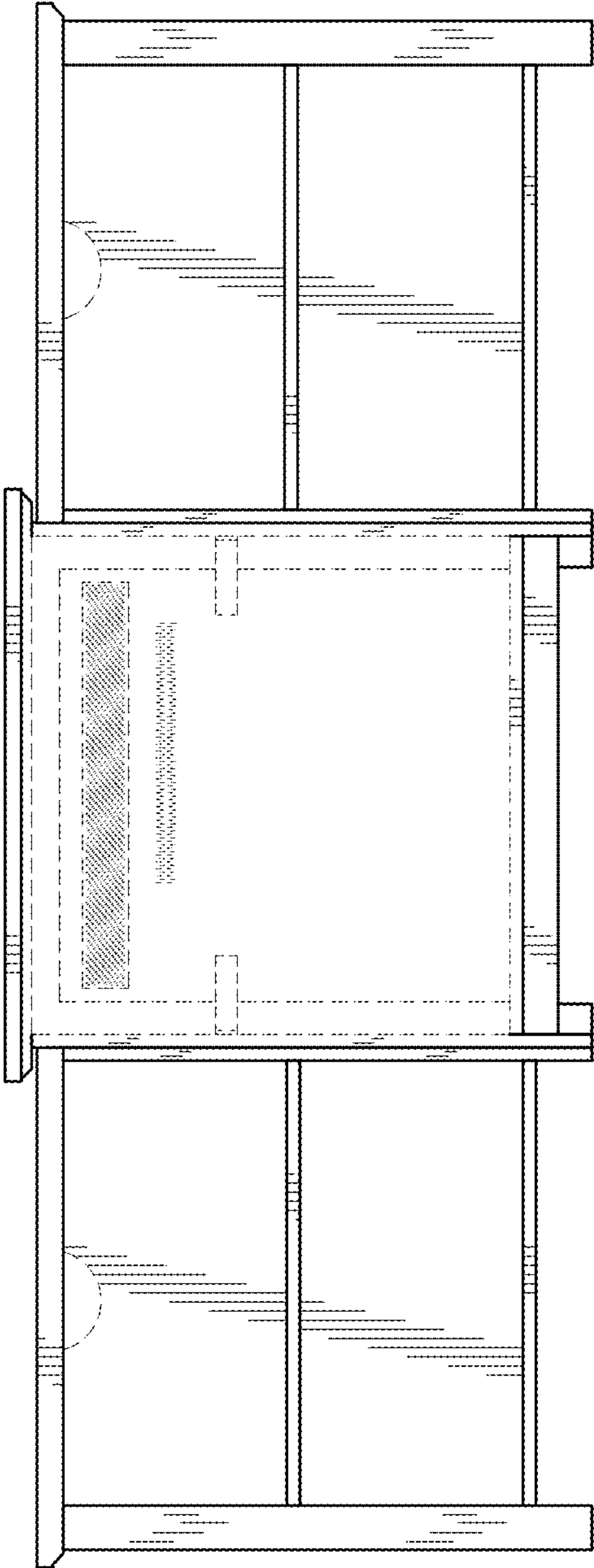


FIG. 3

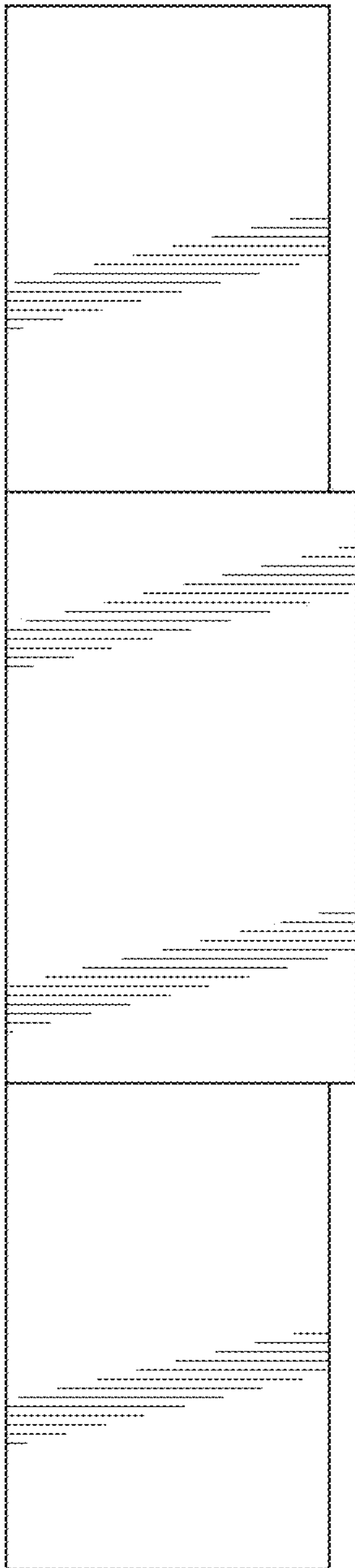


FIG. 4

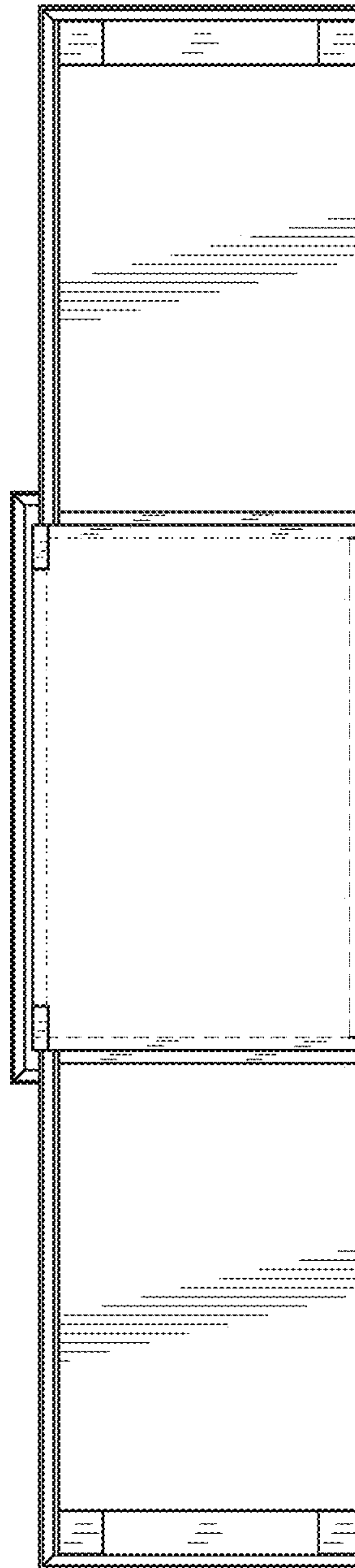


FIG. 5

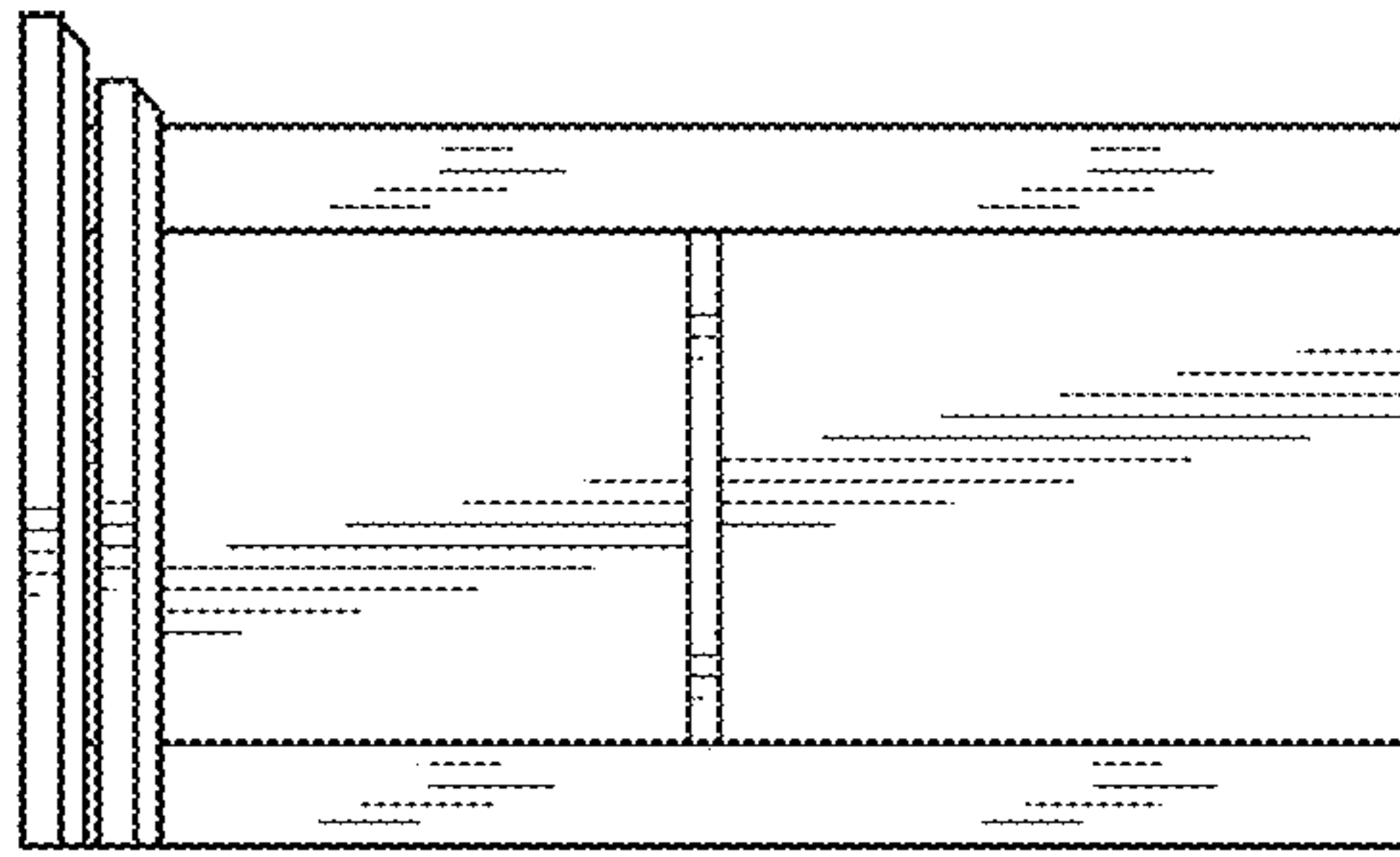


FIG. 6

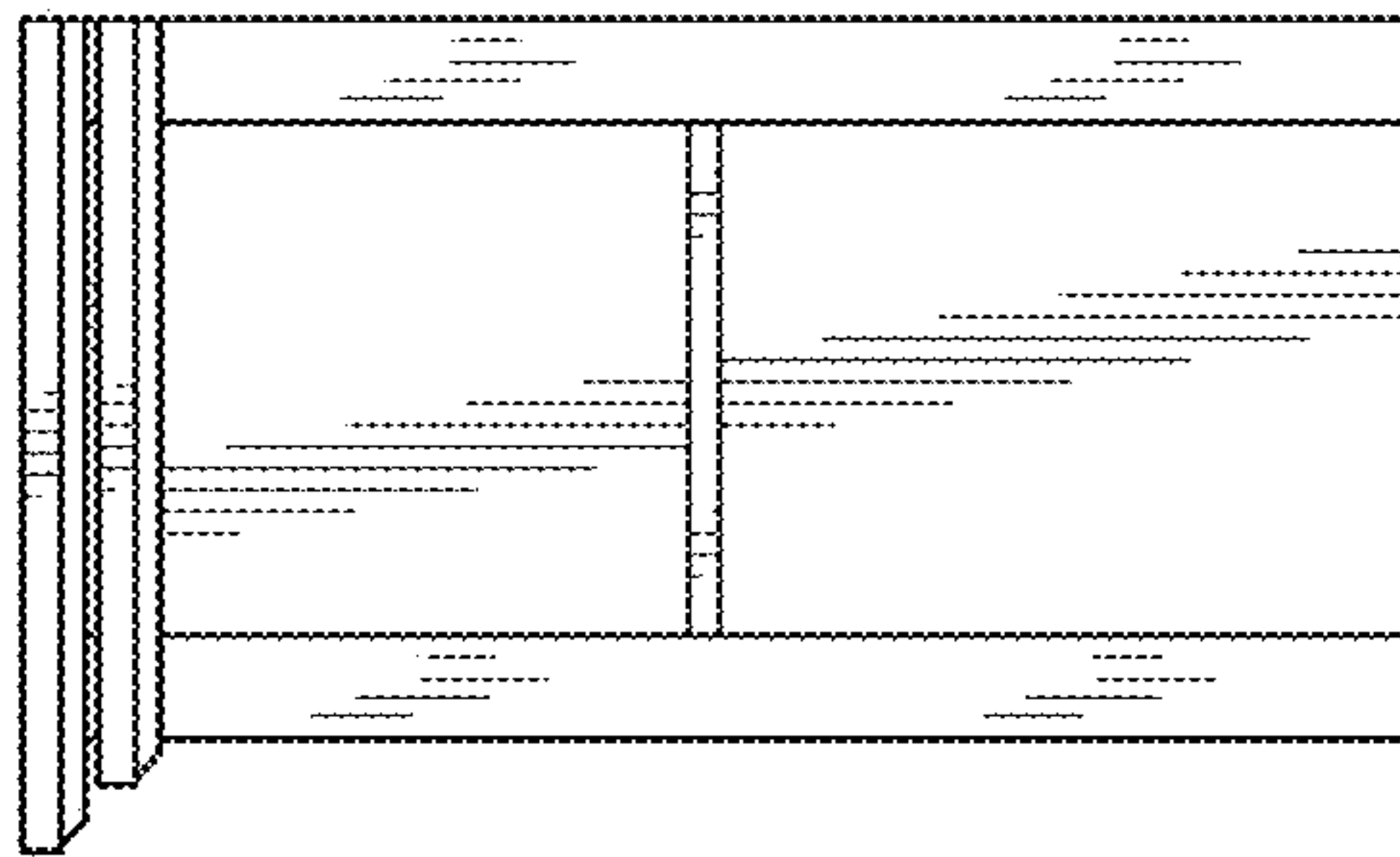


FIG. 7