



US00D963373S

(12) **United States Design Patent** (10) **Patent No.:** **US D963,373 S**  
**Hu** (45) **Date of Patent:** **\*\* Sep. 13, 2022**

(54) **SHELF SET**  
(71) Applicant: **Shenzhen Wolisi Commerce Co., Ltd.,**  
Guangdong (CN)  
(72) Inventor: **Wenxiu Hu,** ShenZhen (CN)  
(73) Assignee: **Shenzhen Wolisi Commerce Co., Ltd.,**  
Guangdong (CN)

D554,902 S \* 11/2007 Austin, Jr. .... D7/701  
D587,947 S \* 3/2009 Valiulis ..... D6/553  
D594,230 S \* 6/2009 Barkdoll ..... D3/304  
D621,193 S \* 8/2010 Bauchet ..... D6/574  
D640,489 S \* 6/2011 Tuholski ..... D6/574  
D911,081 S \* 2/2021 Zhou ..... D6/675  
D914,395 S \* 3/2021 Chiang ..... D6/574  
D916,521 S 4/2021 Cao  
D917,924 S 5/2021 Schoenherr et al.  
2008/0223913 A1\* 9/2008 Nadeau ..... B60R 11/00  
229/152

(\*\*) Term: **15 Years**  
(21) Appl. No.: **29/796,338**  
(22) Filed: **Jun. 23, 2021**  
(51) **LOC (13) Cl.** ..... **06-04**  
(52) **U.S. Cl.**  
USPC ..... **D6/574**  
(58) **Field of Classification Search**  
USPC ..... D6/574, 512, 524, 552, 553, 572, 573,  
D6/569, 672, 673, 675, 675.1, 705, 560;  
D3/304-315, 319; 108/28-29, 152;  
211/13.1, 42, 71.01, 86.01, 87.01, 88.01,  
211/88.03, 90.01, 90.03, 126.1, 133.5,  
211/134, 153, 182; 248/205.3, 235, 243,  
248/247, 249, 250  
CPC ..... A47B 43/00; A47B 43/04; A47B 47/0066;  
A47B 47/04; A47B 63/00; A47B 69/00;  
A47B 71/00; B65D 51/00  
See application file for complete search history.

**OTHER PUBLICATIONS**

Amazon.com SZQINJIFloating Shelves Solid Wood Storage Shelf Display Lege Set, Oct. 21, 2021, <https://www.amazon.com/SZQINJI-Floating-Shelves-Storage-Bathroom/dp/B09JW1TVGB/> (Year: 2021).\*  
Amazon.com, SRIWATANA White Floating Shelves, Aug. 30, 2020, <https://www.amazon.com/SRIWATANA-Fanshaped-Floating-Shelves-Bathroom/dp/B088HCBNFZ/?th=1> (Year: 2020).\*

\* cited by examiner

*Primary Examiner* — Nathan M Johnston  
(74) *Attorney, Agent, or Firm* — ScienBiziP, P.C.

(57) **CLAIM**

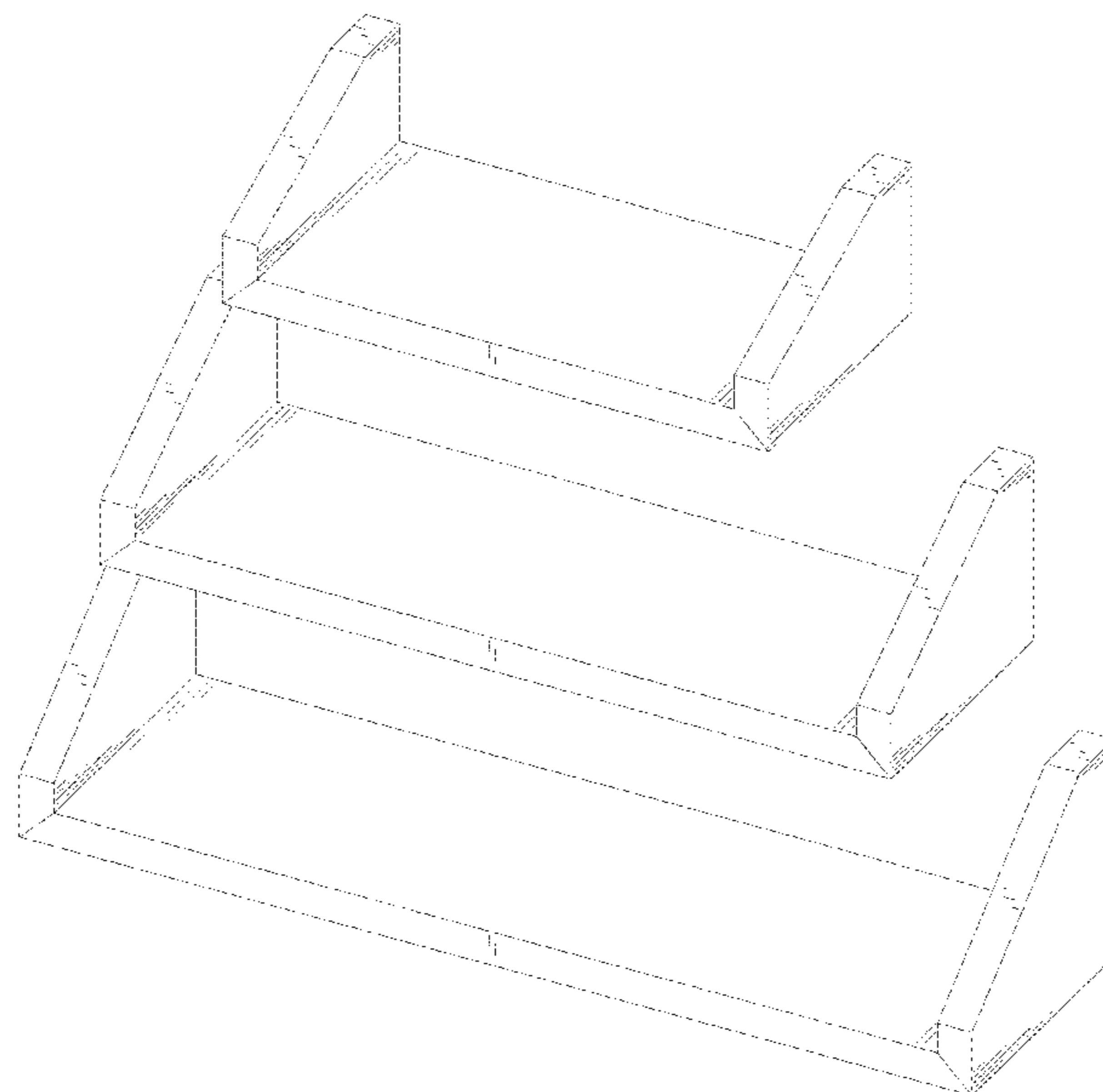
The ornamental design for a shelf set, as shown and described.

**DESCRIPTION**

FIG. 1 is a front, right, and top perspective view of a shelf set, showing my design.  
FIG. 2 is a rear, right, and bottom perspective view thereof.  
FIG. 3 is a front elevation view thereof.  
FIG. 4 is a rear elevation view thereof.  
FIG. 5 is a left side elevation view thereof.  
FIG. 6 is a right side elevation view thereof.  
FIG. 7 is a top plan view thereof; and,  
FIG. 8 is a bottom plan view thereof.

**1 Claim, 8 Drawing Sheets**

(56) **References Cited**  
U.S. PATENT DOCUMENTS  
1,270,718 A \* 6/1918 Ford ..... A47B 13/081  
248/248  
D280,583 S \* 9/1985 Evenson ..... D6/574  
D287,200 S \* 12/1986 Gecchelin ..... D6/574  
4,674,139 A \* 6/1987 Walker ..... A47B 96/061  
4/643  
D305,190 S \* 12/1989 Winter ..... D6/567



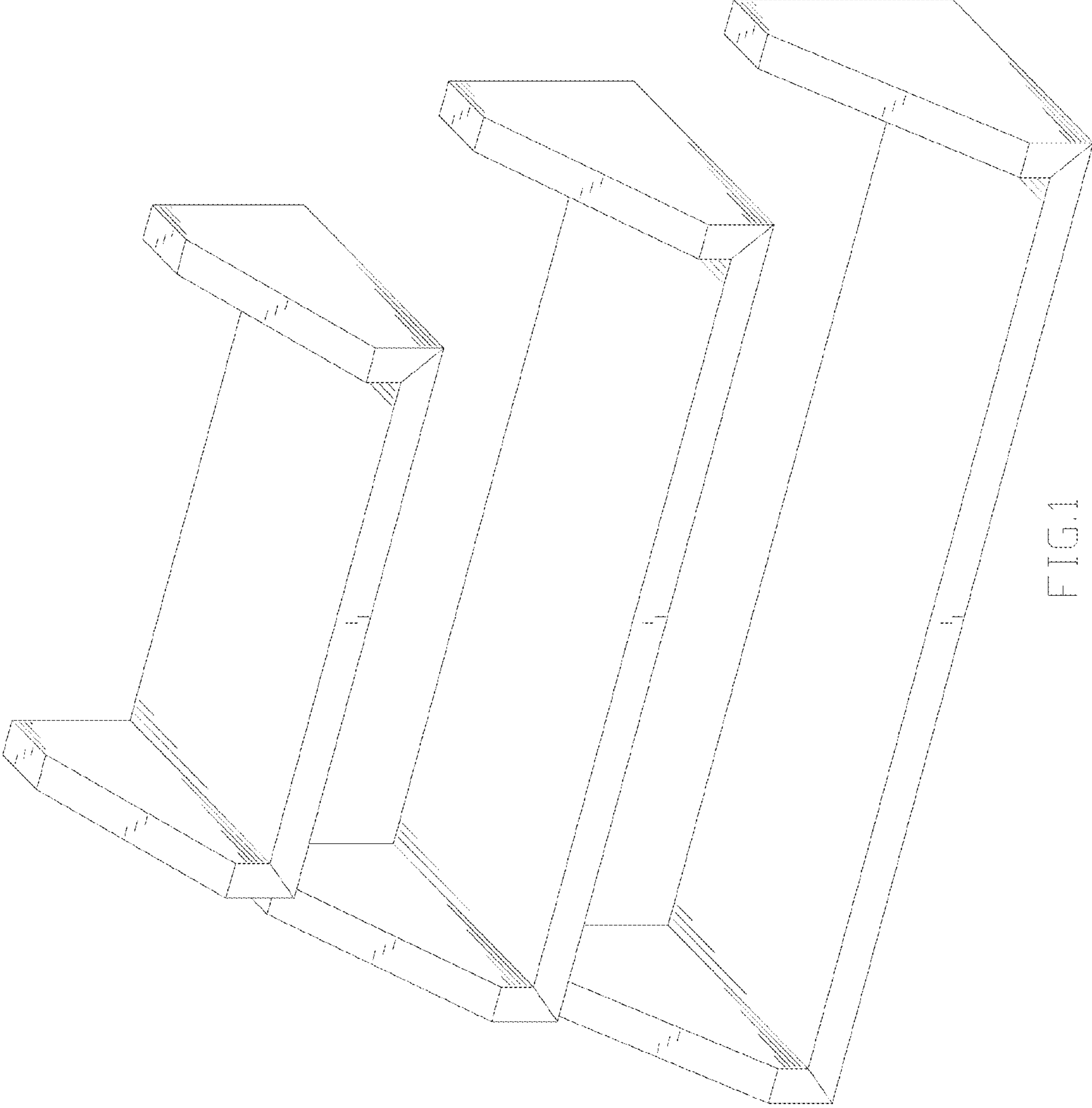


FIG. 1

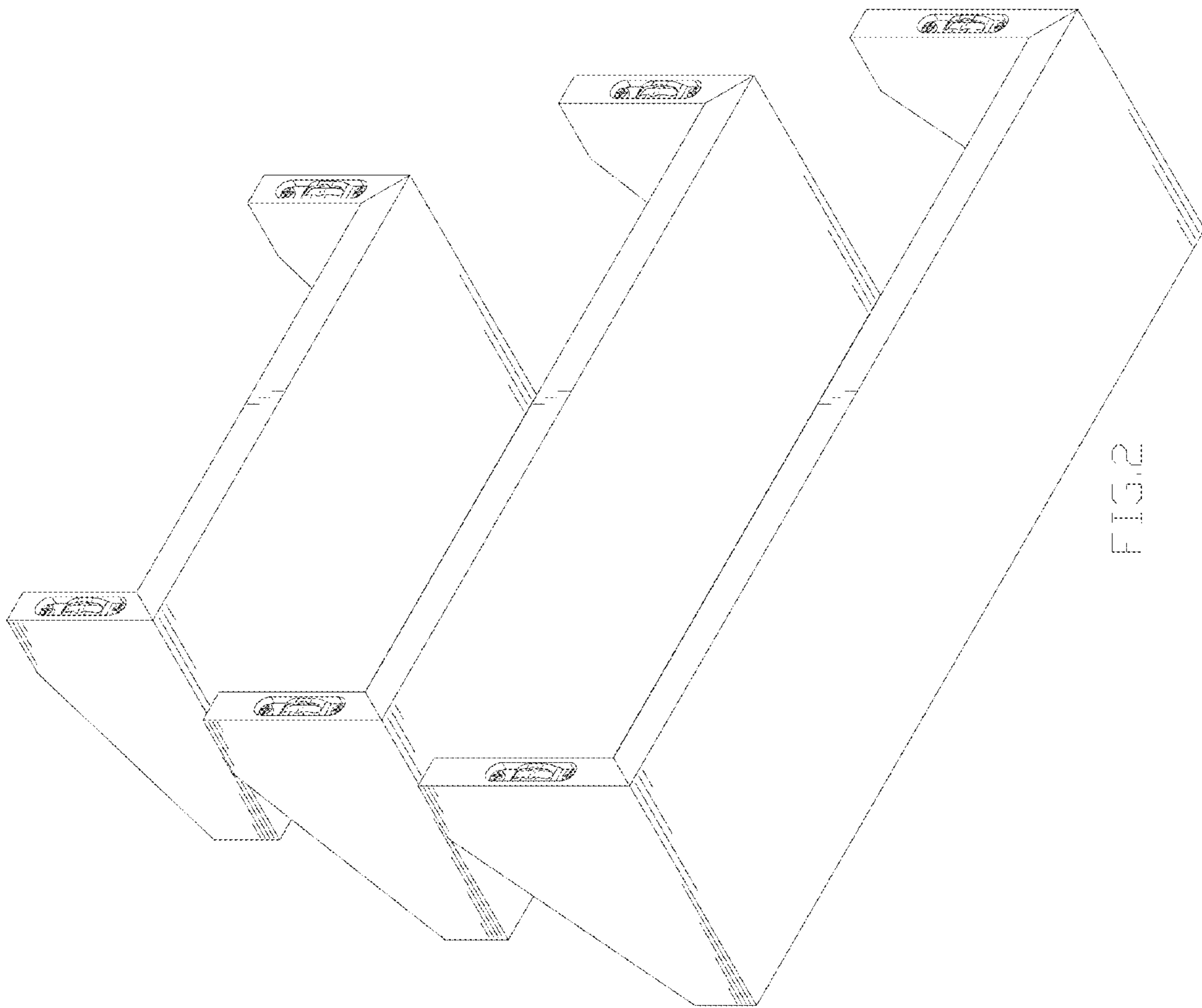


FIG. 2

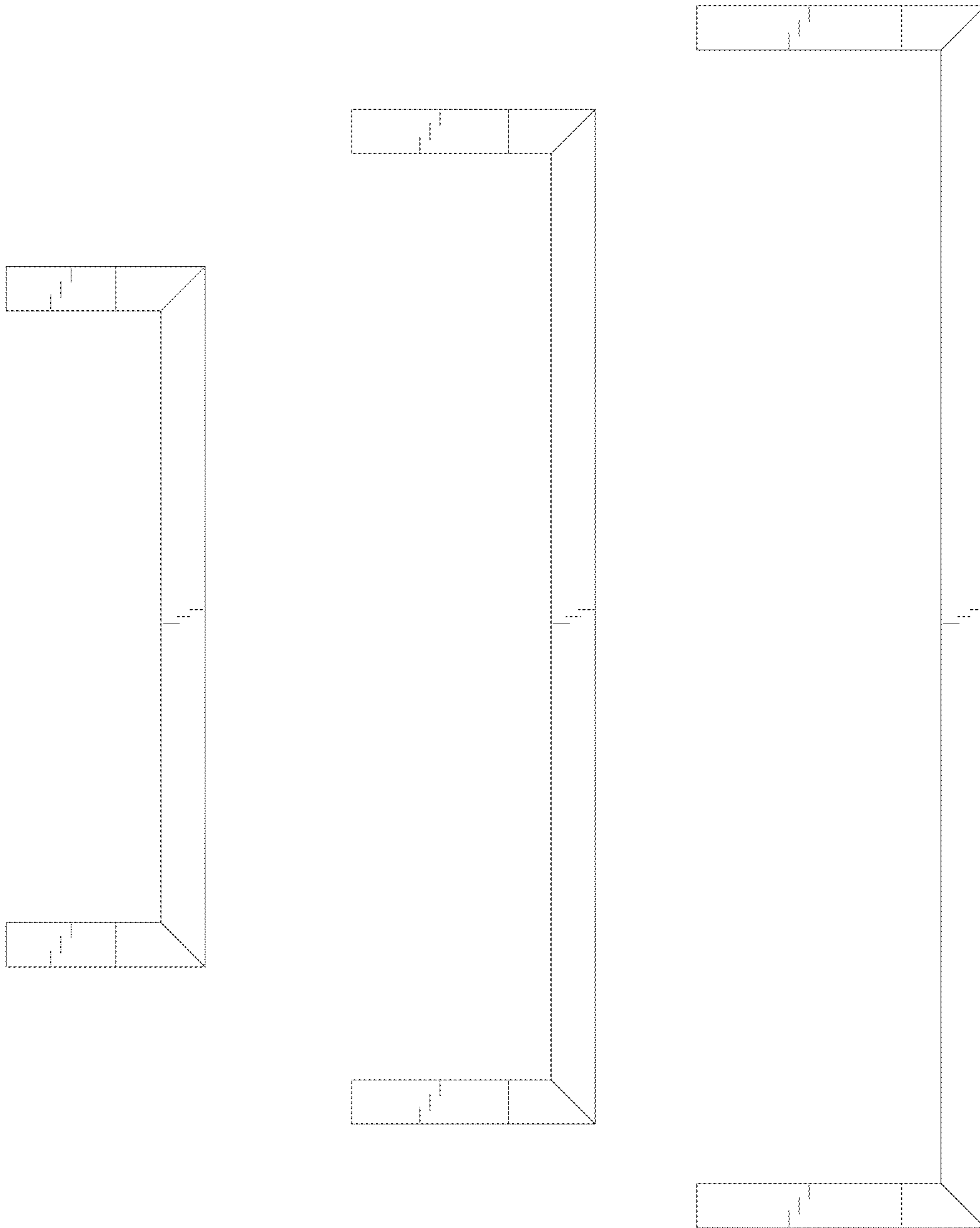


FIG. 3

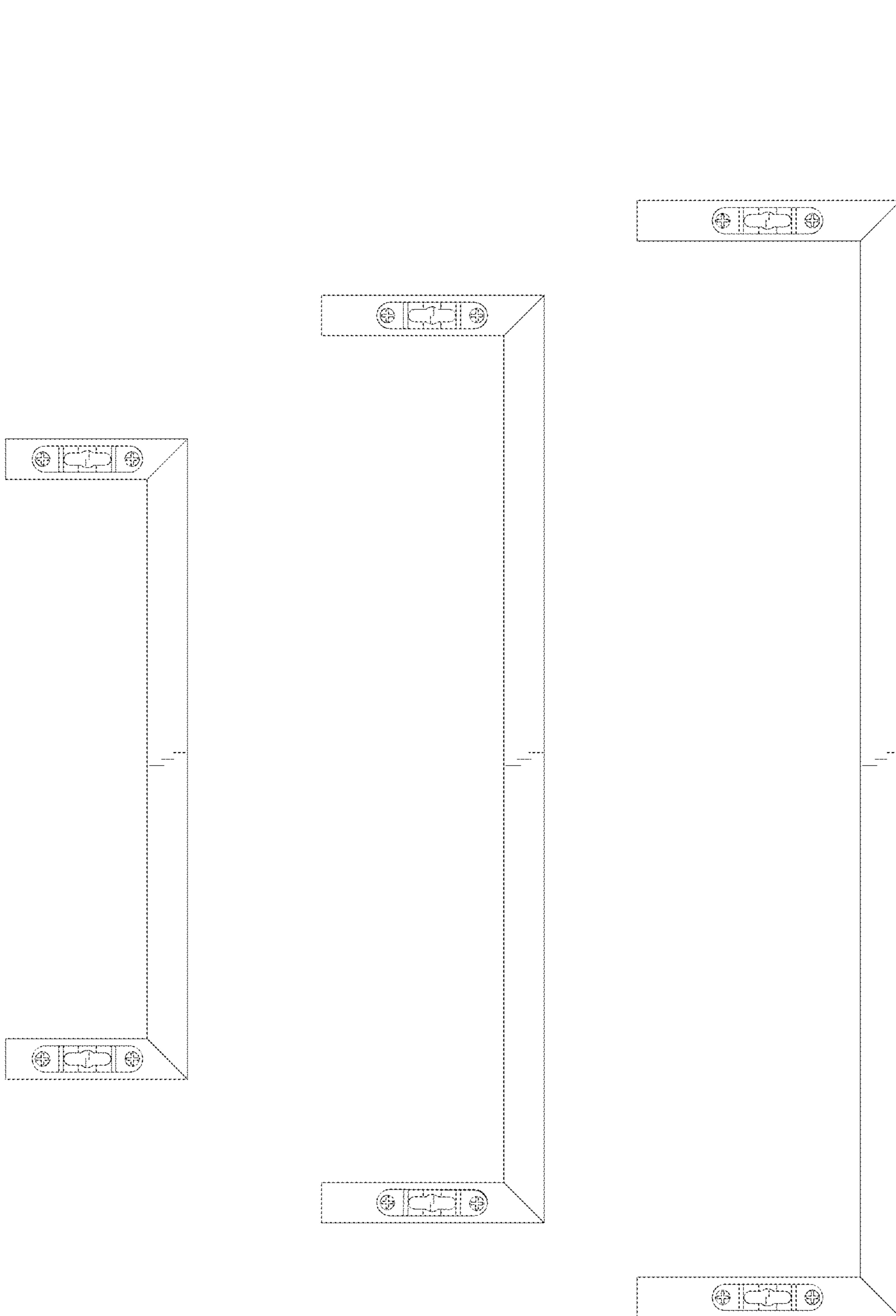


FIG.4

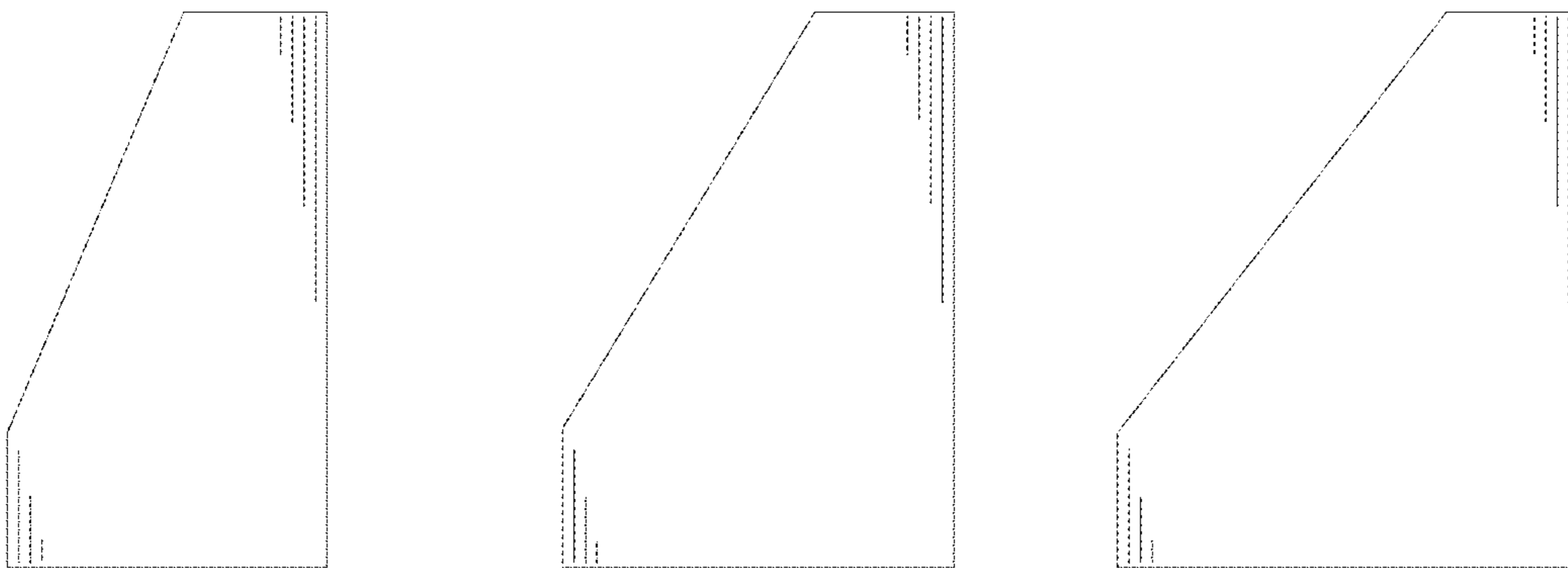


FIG. 5

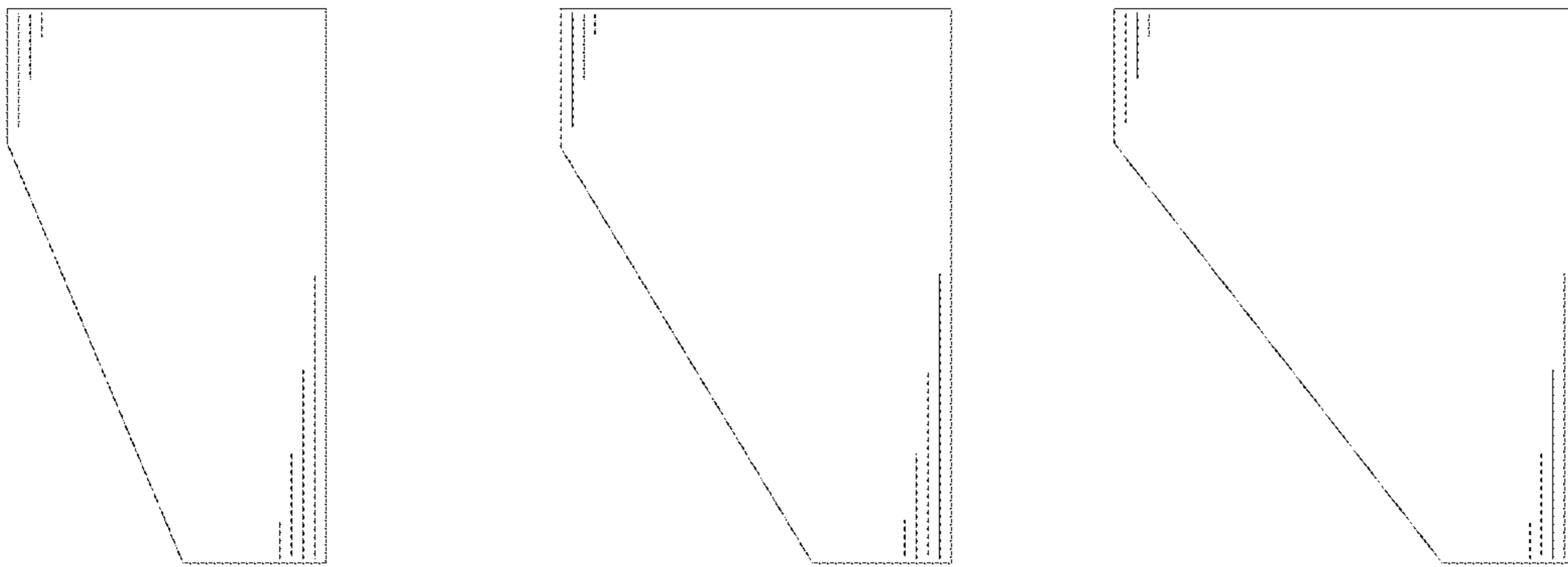


FIG. 6



FIG. 7





FIG. 8