



US00D963372S

(12) **United States Design Patent** (10) **Patent No.:** **US D963,372 S**  
**Heroux et al.** (45) **Date of Patent:** **\*\* Sep. 13, 2022**

(54) **REVOLVING SHELF**  
(71) Applicant: **Hip Innovations, LLC**, Calabasas, CA (US)  
(72) Inventors: **Steve Heroux**, Hidden Hills, CA (US); **Sonia Makurdsik**, Westlake, CA (US)  
(73) Assignee: **HIP INNOVATIONS, LLC**, Calabasas, CA (US)

3,033,376 A 5/1962 Eastman  
3,580,191 A \* 5/1971 McDonnell ..... A47F 5/08  
108/152  
3,653,340 A \* 4/1972 Bugg ..... F16M 11/08  
108/103

(Continued)

**FOREIGN PATENT DOCUMENTS**

CN 306474086 \* 4/2021  
GB 861501 2/1961

(Continued)

(\*\*) Term: **15 Years**

**OTHER PUBLICATIONS**

(21) Appl. No.: **29/740,988**

Instahang Rotating Shelf. Instahang (online) 10 pgs. Available Jul. 9, 2020. [Retrieved Jul. 12, 2022] <https://www.amazon.com/Instahang-Rotating-Organizer-Water-Resistant-No-Assembly/dp/B08CNLBZ17> (Year: 2020).\*

(22) Filed: **Jul. 8, 2020**

(51) **LOC (13) Cl.** ..... **06-04**

(52) **U.S. Cl.**

USPC ..... **D6/574**

(58) **Field of Classification Search**

USPC ..... D6/567-574, 677-678, 682, 682.1, 691, D6/705, 705.1; D7/500, 501, 553.6, D7/554.1, 554.2, 590, 600.2; D15/89; D19/92; 108/94, 103; 211/153, 144, 211/163; 220/556, 575, 23.8, 608; 248/349.1

CPC ..... A47B 96/00; A47B 96/02; A47B 96/025  
See application file for complete search history.

(Continued)

*Primary Examiner* — Marie D. Fast Horse  
*Assistant Examiner* — Jennifer Sierra Yosinski  
(74) *Attorney, Agent, or Firm* — Cislo & Thomas, LLP

(57) **CLAIM**

The ornamental design for a revolving shelf, as shown and described.

**DESCRIPTION**

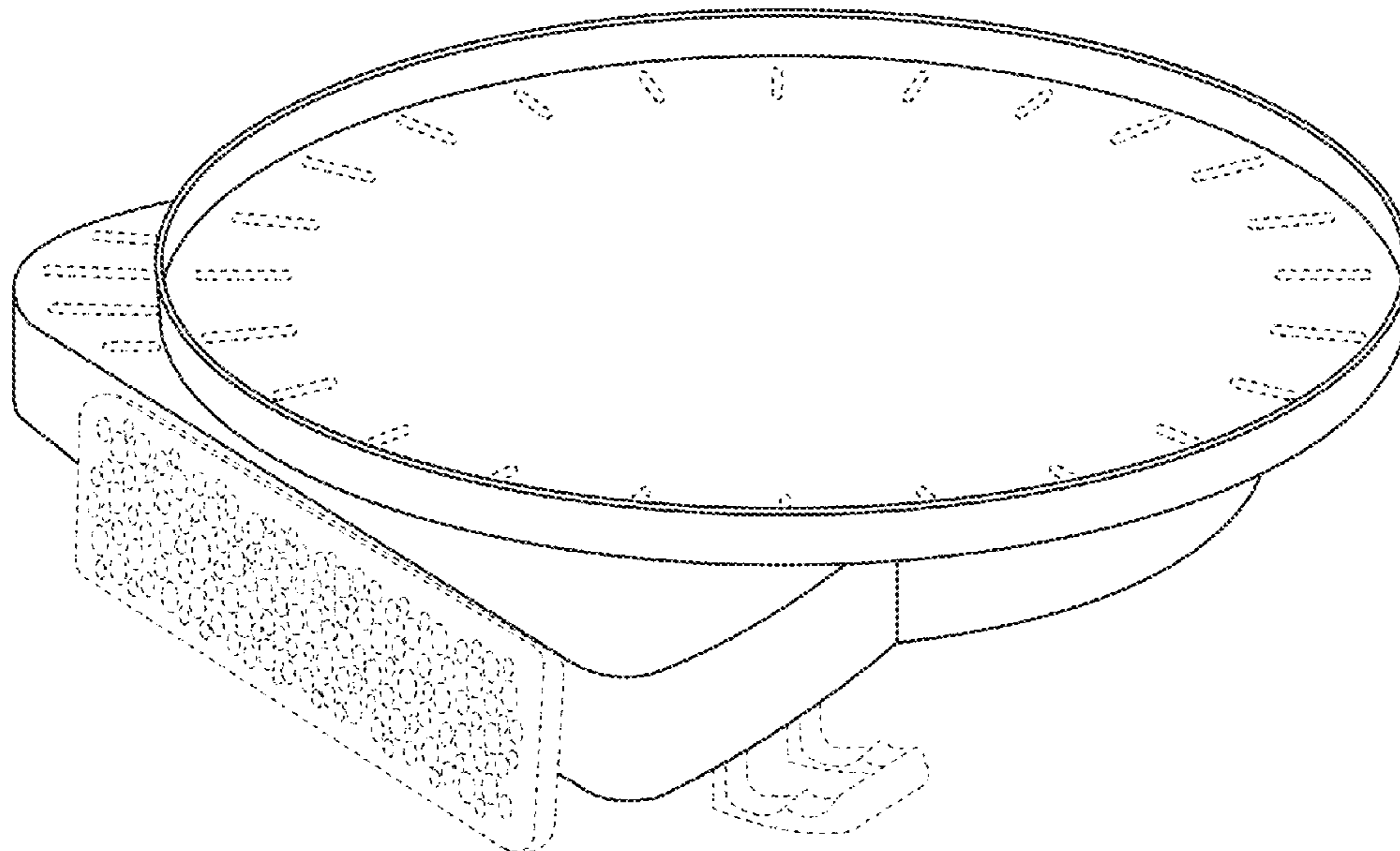
FIG. 1 is a right side perspective view of a revolving shelf; FIG. 2 is a left side perspective view thereof; FIG. 3 a top view thereof; FIG. 4 is a bottom view thereof; FIG. 5 is a front view thereof; FIG. 6 is a rear view thereof; FIG. 7 is a right side view thereof; and, FIG. 8 is a left side view thereof. The broken lines shown in the drawings depict portions of the revolving shelf that form no part of the claimed design.

(56) **References Cited**

**U.S. PATENT DOCUMENTS**

782,158 A 2/1905 Miller  
1,325,143 A 12/1919 Conterio  
1,687,149 A 10/1928 Shauer  
2,128,118 A 8/1938 Burford  
2,588,563 A \* 3/1952 Paul ..... F25D 11/02  
312/238  
2,911,108 A \* 11/1959 Nield ..... A47F 5/08  
108/159

**1 Claim, 8 Drawing Sheets**



(56)

References Cited

U.S. PATENT DOCUMENTS

4,754,111 A \* 6/1988 Pomeroy ..... A47J 37/046  
219/755

4,762,237 A 8/1988 Newton

4,820,556 A 4/1989 Goldman

4,848,542 A 7/1989 Burnette

D307,082 S \* 4/1990 James ..... D6/677

5,348,168 A 9/1994 Emery

D366,799 S \* 2/1996 Curtin ..... D6/574

D378,792 S \* 4/1997 Westcott ..... D7/550.1

D379,412 S 5/1997 Hampshire

5,641,080 A 6/1997 Humphrey

5,992,654 A 11/1999 Dente, Jr.

6,059,128 A 5/2000 Wang

6,081,928 A 7/2000 Bourne

6,263,808 B1 7/2001 Robbins

D451,743 S 12/2001 Henderson

D489,966 S 5/2004 Ho

7,455,269 B1 11/2008 Chien

8,544,390 B1 10/2013 Bahnsen

8,839,980 B2 9/2014 Baines

9,124,350 B2 9/2015 Biancamano

9,308,463 B2 4/2016 Bartels

9,351,566 B2 5/2016 Searer

D773,854 S \* 12/2016 Preston ..... D6/562

9,528,753 B1 12/2016 Conner, Sr.

D814,220 S \* 4/2018 Clayton ..... D6/705.1

10,213,018 B1 2/2019 Karins, Sr.

10,743,665 B1 \* 8/2020 Heroux ..... F16B 47/006

D916,516 S \* 4/2021 Glahe ..... D6/574

D939,255 S \* 12/2021 Greenwood ..... D6/678

2003/0173321 A1 9/2003 Craft

2006/0282936 A1 12/2006 Olson

2008/0083353 A1 4/2008 Tuttle

2008/0217826 A1 9/2008 Kim

2008/0230662 A1 9/2008 Takahashi

2009/0308286 A1 12/2009 Bourbeau

2010/0206828 A1 8/2010 Gottschalk

2011/0297804 A1 12/2011 Fan

2012/0049019 A1 3/2012 Chen

2012/0199051 A1 8/2012 Edinger

2014/0197288 A1 7/2014 Yang

2014/0291466 A1 10/2014 Amendolea

2014/0345507 A1 11/2014 Pendleton

2015/0079823 A1 3/2015 Lindblom

2015/0083029 A1 3/2015 Pan

2015/0108134 A1 4/2015 Fangyuan

2015/0289681 A1 10/2015 Sun

2015/0330438 A1 11/2015 Shi

2016/0166109 A1 6/2016 Banal

2016/0215813 A1 7/2016 Huang

2016/0272124 A1 9/2016 Goddert

2016/0340948 A1 11/2016 McCullough

2017/0067275 A1 3/2017 Tomassi

2018/0363845 A1 12/2018 Alifeld

FOREIGN PATENT DOCUMENTS

GB 2118238 10/1983

GB 2202427 9/1988

JP 09187333 7/1997

JP 10337228 12/1998

JP 11103956 4/1999

JP 2011247446 12/2011

JP 2014073339 4/2014

WO 2016035913 3/2016

OTHER PUBLICATIONS

SnapUp Shelf—as seen on TV product (photographs enclosed).  
SnapUp™ Corner Shelf \_ Bed Bath & Beyond <<https://www.bedbathandbeyond.com/store/product/snapup-corner-shelf/1045530852>>.

\* cited by examiner

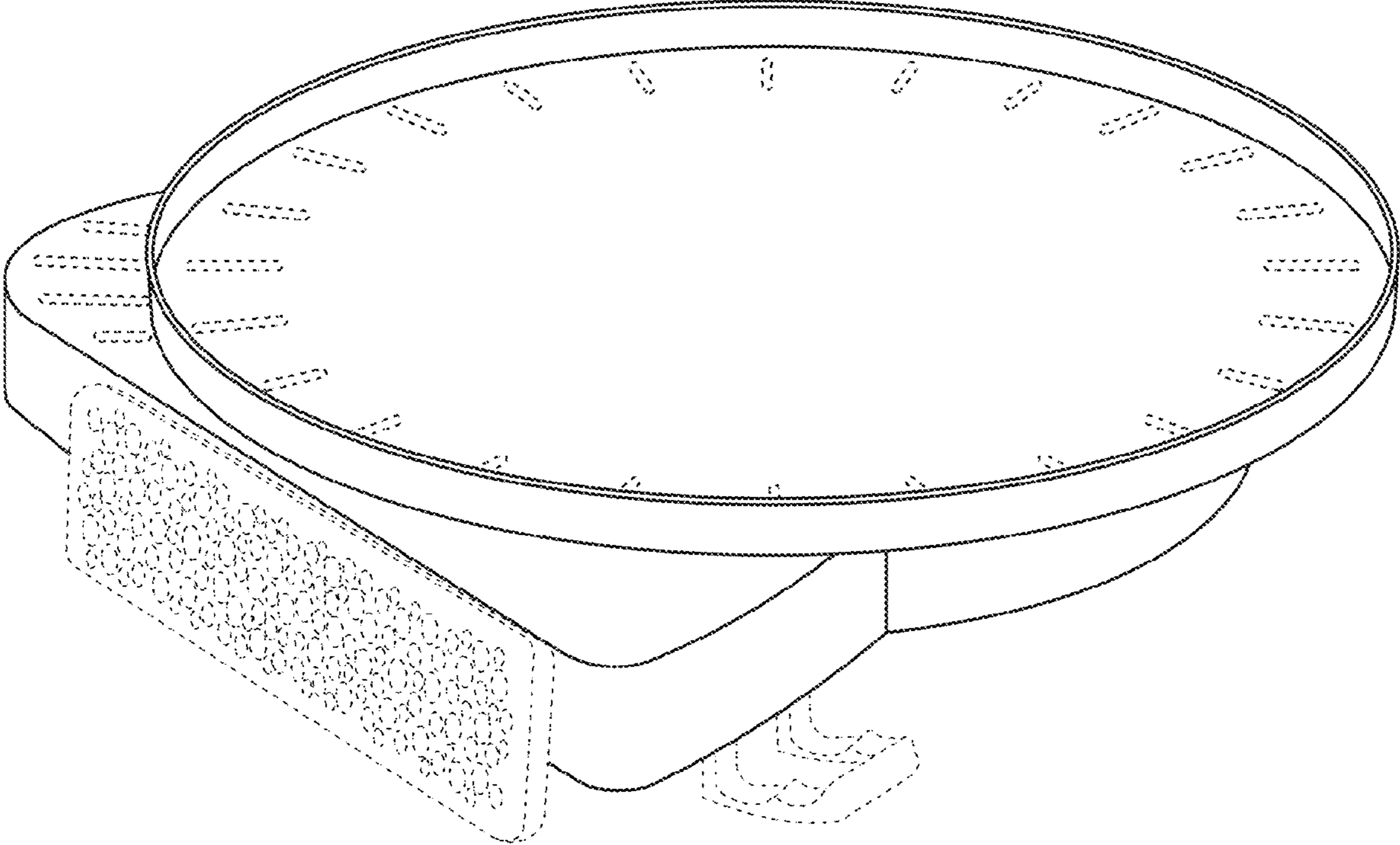


Fig. 1

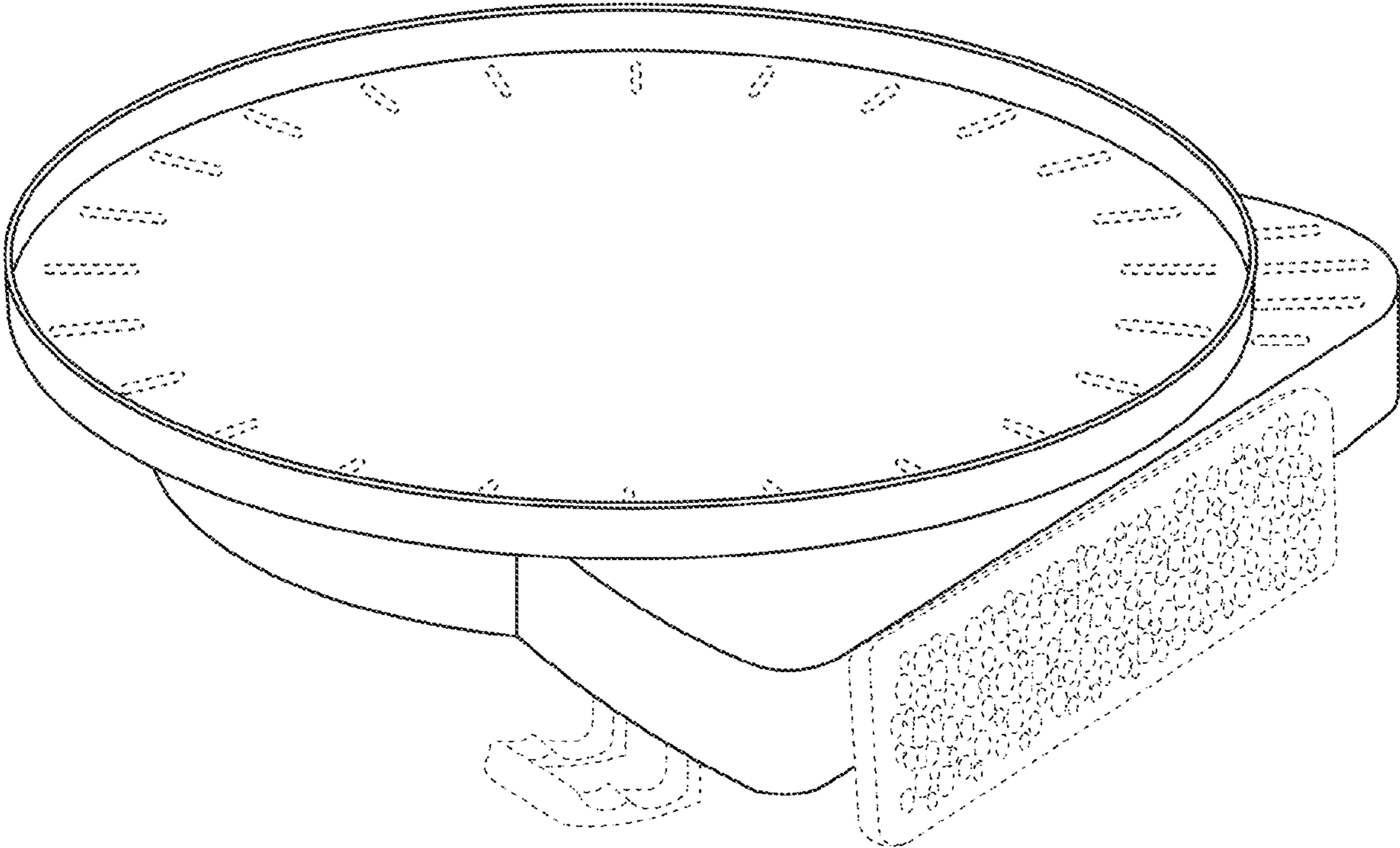


Fig. 2

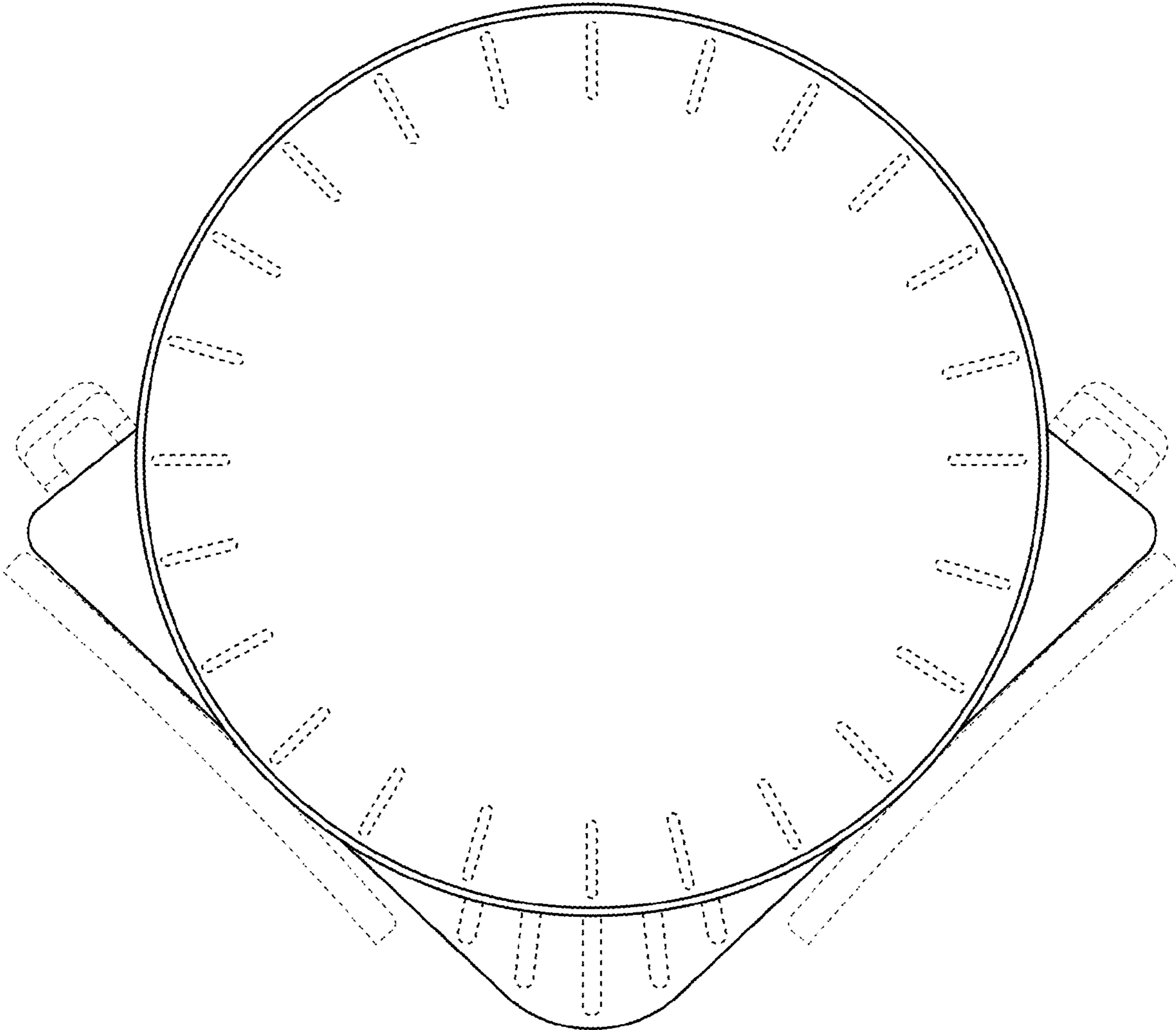


Fig. 3

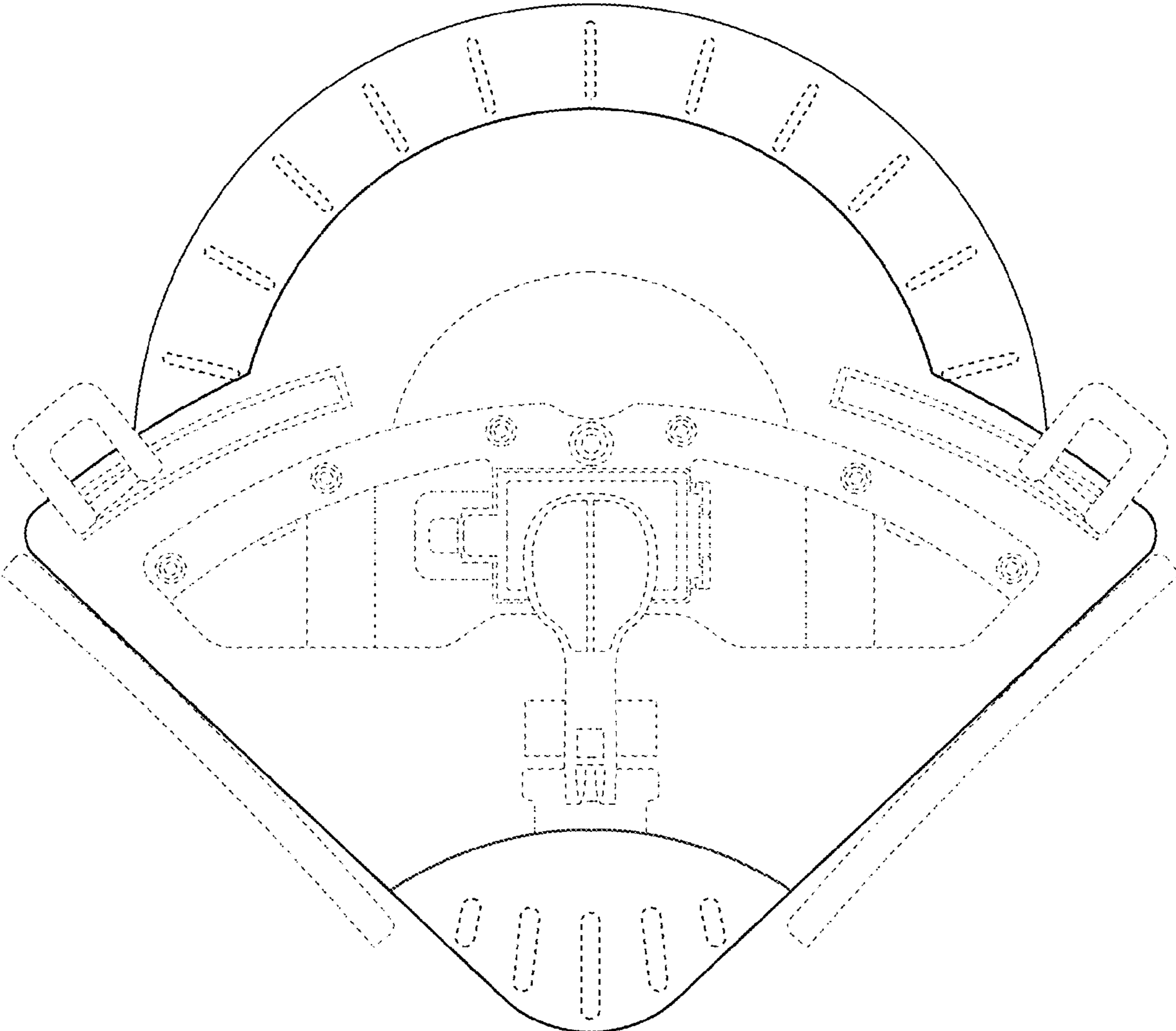


Fig. 4

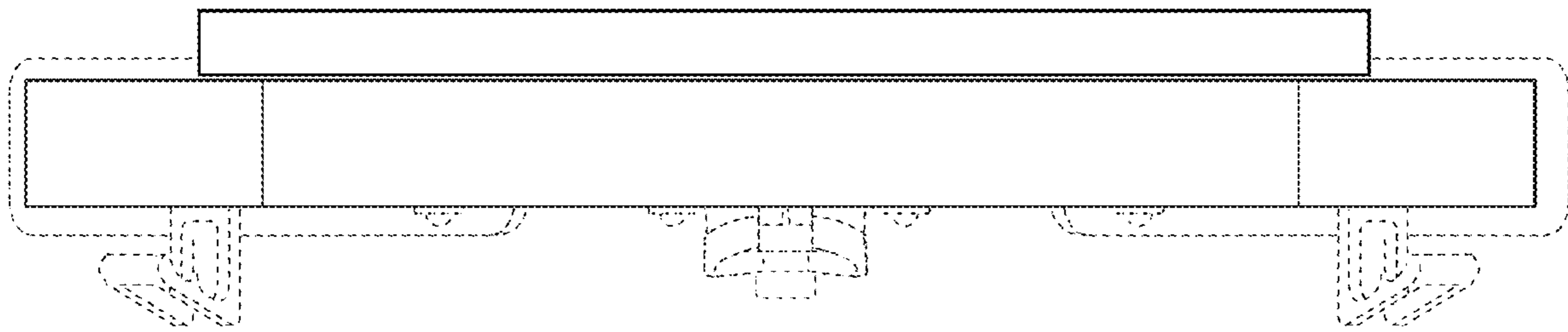


Fig. 5

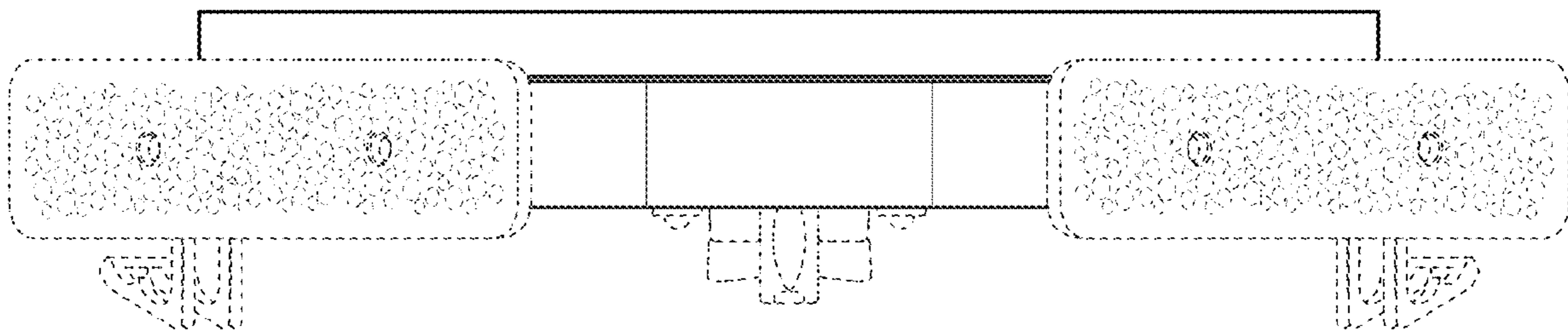


Fig. 6



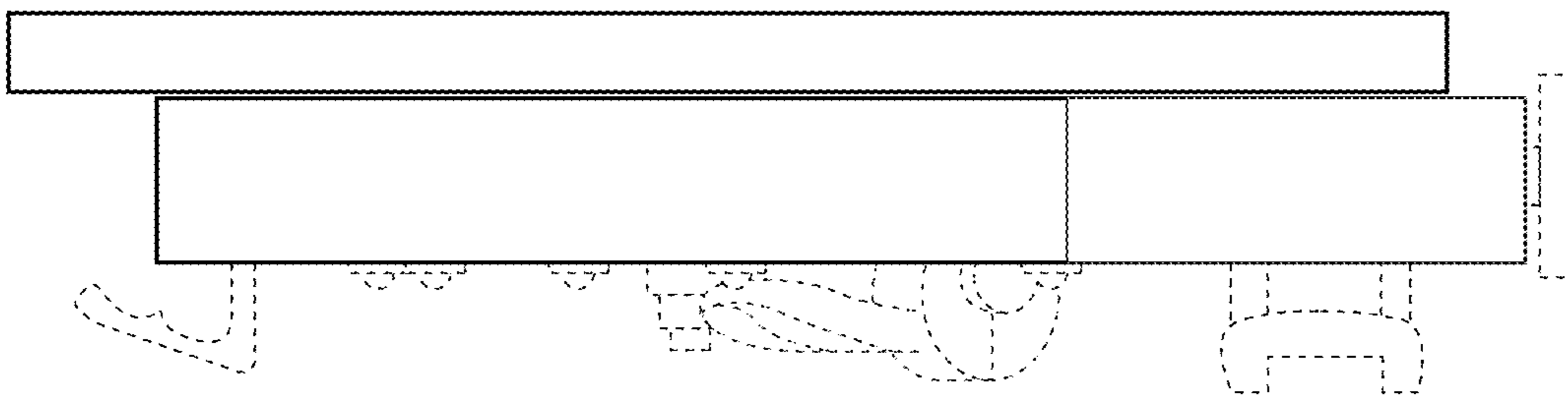


Fig. 7

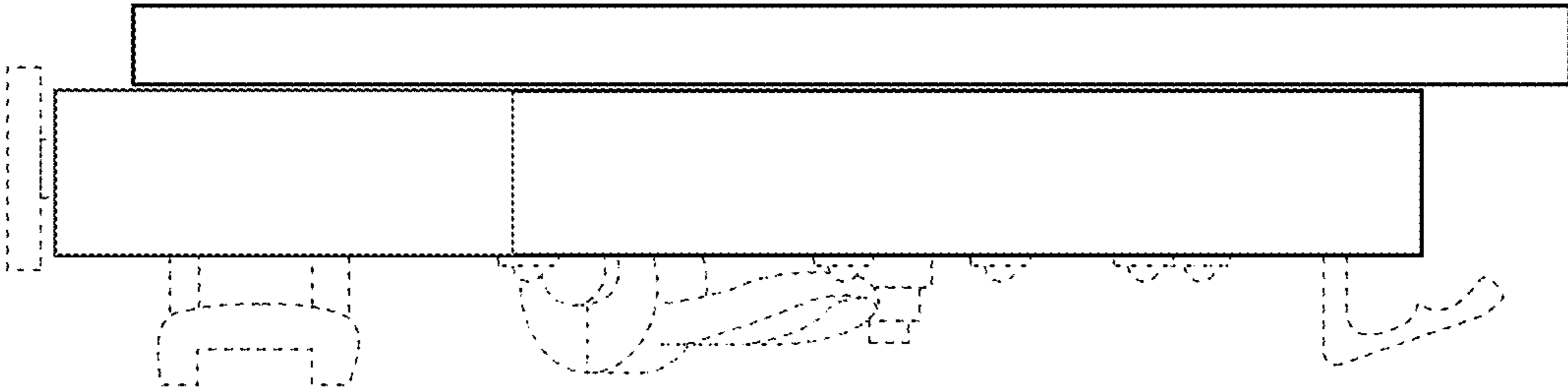


Fig. 8