



US00D963370S

(12) **United States Design Patent** (10) **Patent No.:** **US D963,370 S**
Hu (45) **Date of Patent:** **** Sep. 13, 2022**

(54) **SHOWER CADDY WITH HOOKS**
(71) Applicant: **Shenzhen Hongze Technology Co., Ltd.**, Guangdong (CN)
(72) Inventor: **Zhi Hu**, Guangdong (CN)
(73) Assignee: **Shenzhen Hongze Technology Co., Ltd.**, Shenzhen (CN)

D677,956 S * 3/2013 Tawil D6/525
D723,834 S * 3/2015 Tawil D6/525
D945,181 S * 3/2022 Elliott D6/525

FOREIGN PATENT DOCUMENTS

CN 306293522 S 1/2021
CN 306330474 S 2/2021

OTHER PUBLICATIONS

Zenna Home Store,Zenna Home Chrome Expandable Over-The-Shower Caddy . . . Sep. 26, 2012,www.amazon.com,https://www.amazon.com/Zenna-Home-7446SS-Expandable-Showerhead/dp/B009GPU3CU,2 pages,retrieved Jul. 28, 2022 (Year: 2012).*

* cited by examiner

Primary Examiner — Mary Shannon Malley

Assistant Examiner — Mark Booker

(74) *Attorney, Agent, or Firm* — Wayne IP LLC

(**) Term: **15 Years**
(21) Appl. No.: **29/787,716**
(22) Filed: **Jun. 8, 2021**
(51) **LOC (13) Cl.** **23-02**
(52) **U.S. Cl.**
USPC **D6/525**
(58) **Field of Classification Search**
USPC D6/525, 524, 536, 540, 566; 211/13.1, 211/71.01, 74, 75, 86.01, 88.01, 90.01, 211/90.03, 106, 119, 126.1, 133.5, 134, 211/181.1
CPC A47K 17/00; A47K 3/281; A47K 3/001; A47K 10/06; A47K 2201/00; B23P 17/04; A47B 57/265; A47B 57/565; A47B 57/26

See application file for complete search history.

(56) **References Cited**

U.S. PATENT DOCUMENTS

D479,073 S * 9/2003 Snell A47K 3/281 D6/525
D489,207 S * 5/2004 Rosen A47K 3/281 D6/525
D603,198 S * 11/2009 Guindi A47K 3/281 D6/525
D640,488 S * 6/2011 Didehvar D6/525

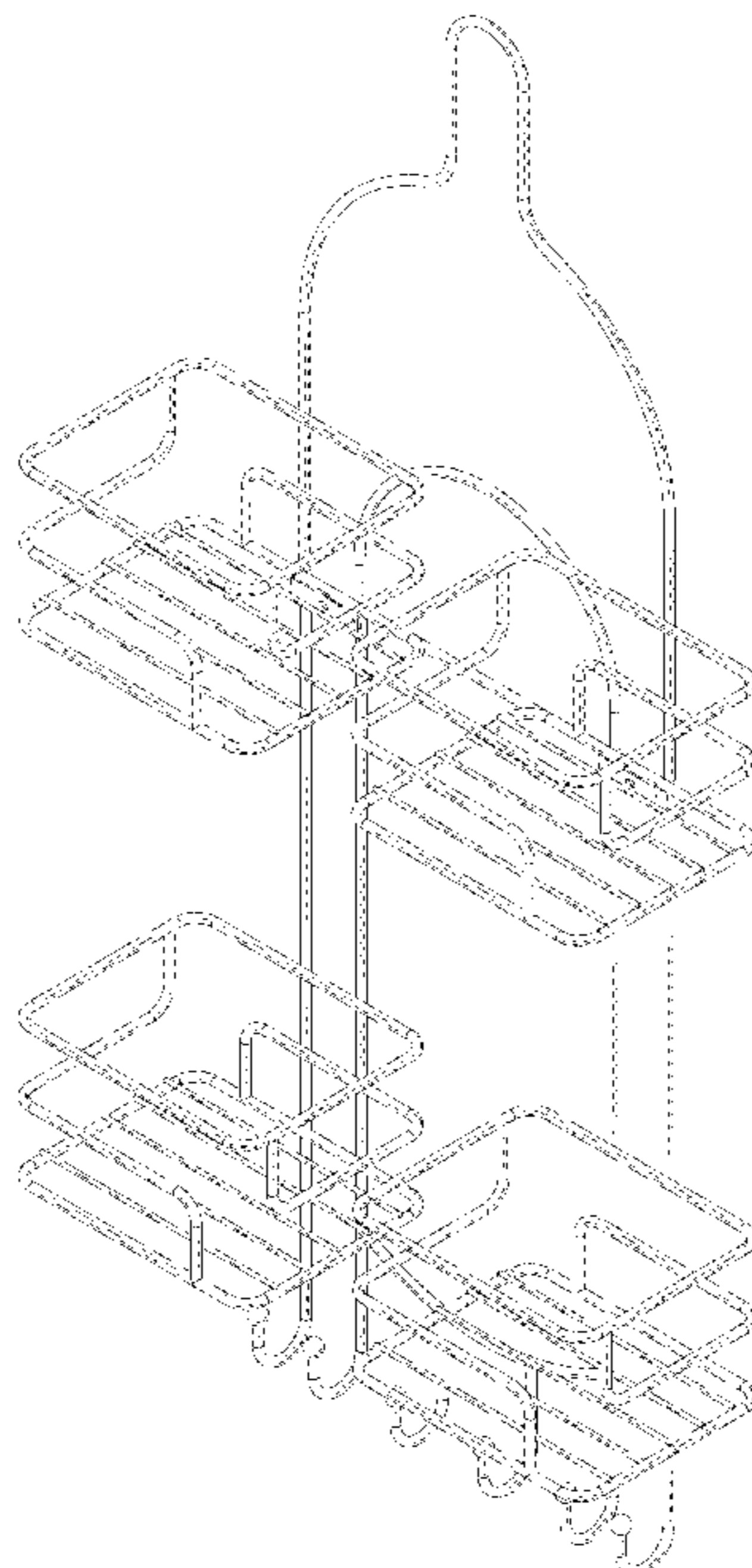
(57) **CLAIM**

The ornamental design for a shower caddy with hooks, as shown and described.

DESCRIPTION

FIG. 1 is a perspective view of a shower caddy with hooks showing our new design;
FIG. 2 is a front view thereof;
FIG. 3 is a back view thereof;
FIG. 4 is a left view thereof;
FIG. 5 is a right view thereof;
FIG. 6 is a top view thereof; and,
FIG. 7 is a bottom view thereof.

1 Claim, 7 Drawing Sheets



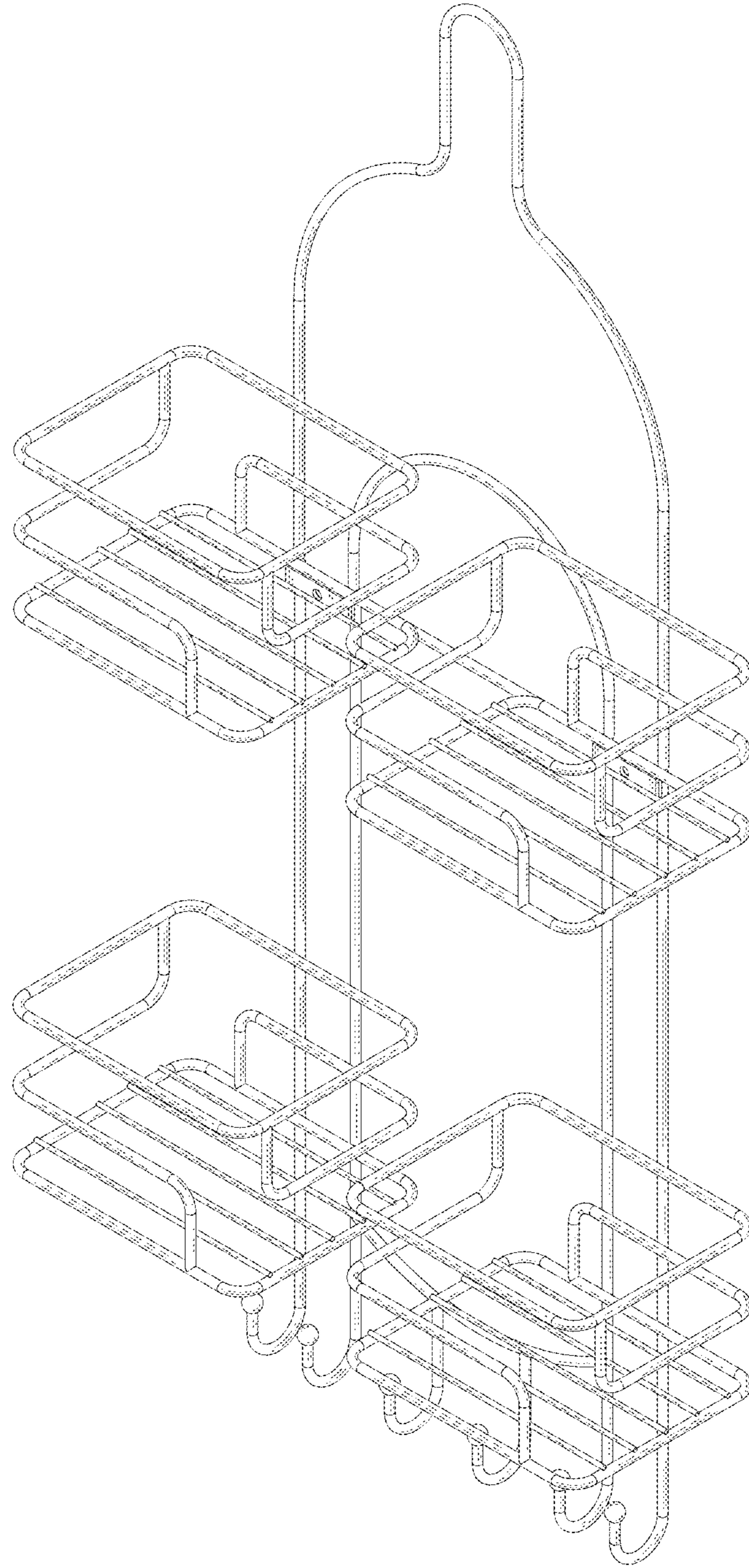


FIG. 1

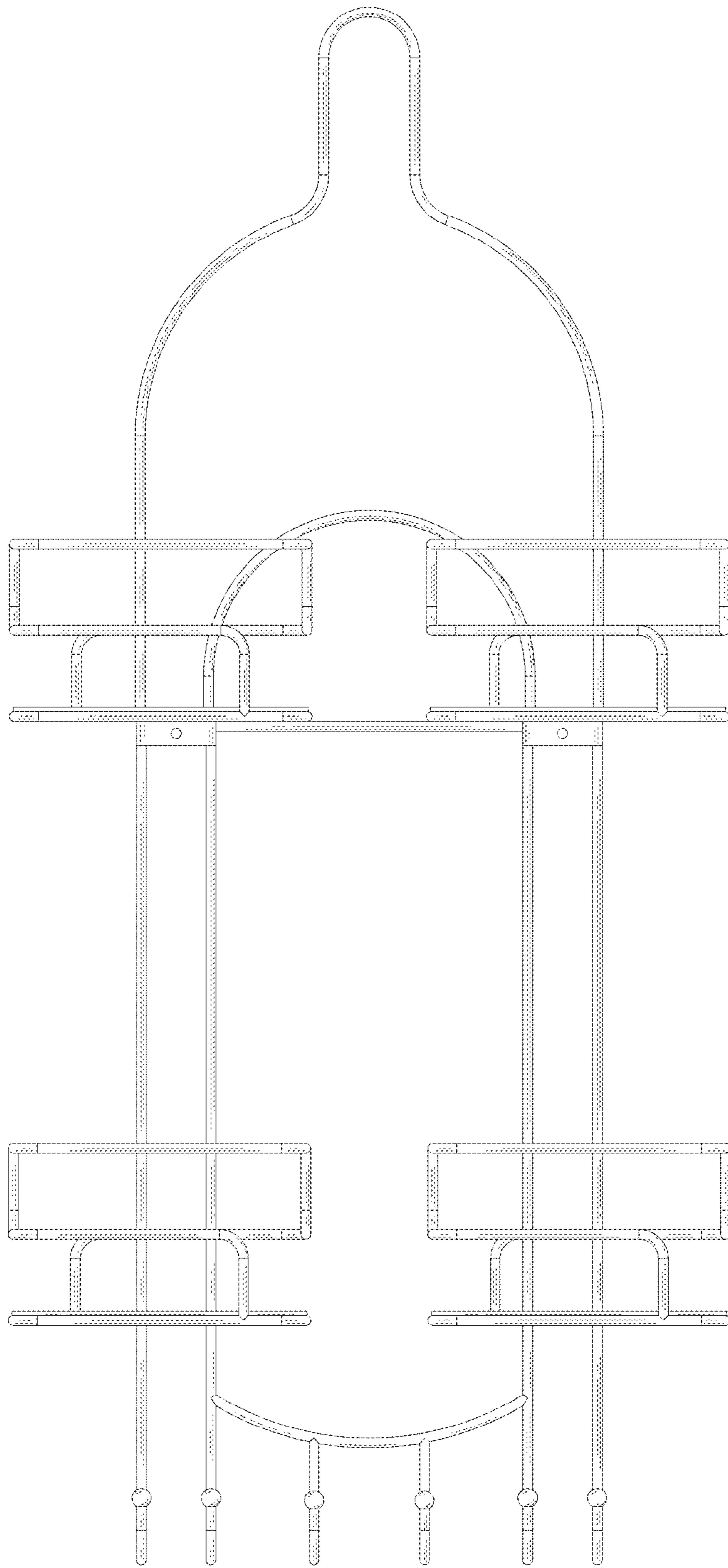


FIG. 2

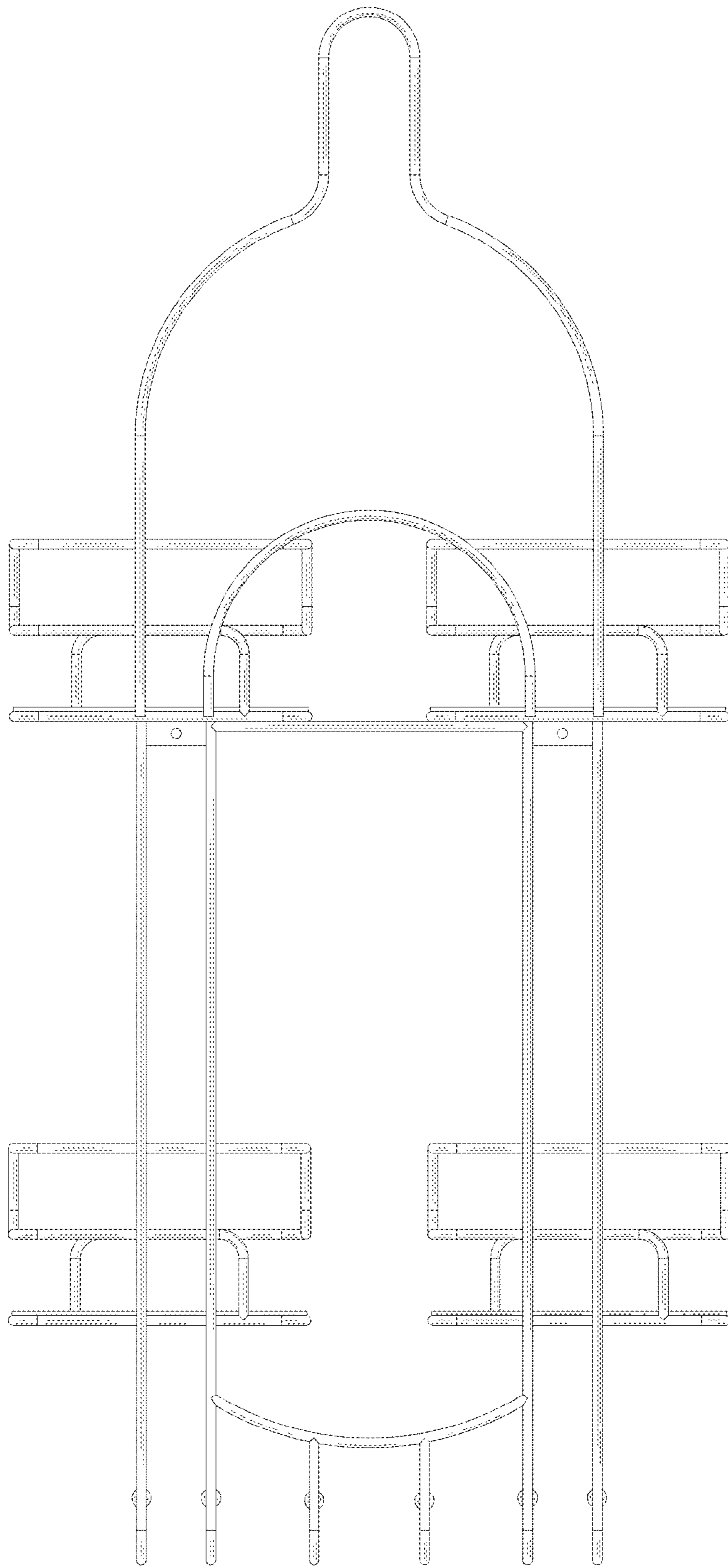


FIG. 3

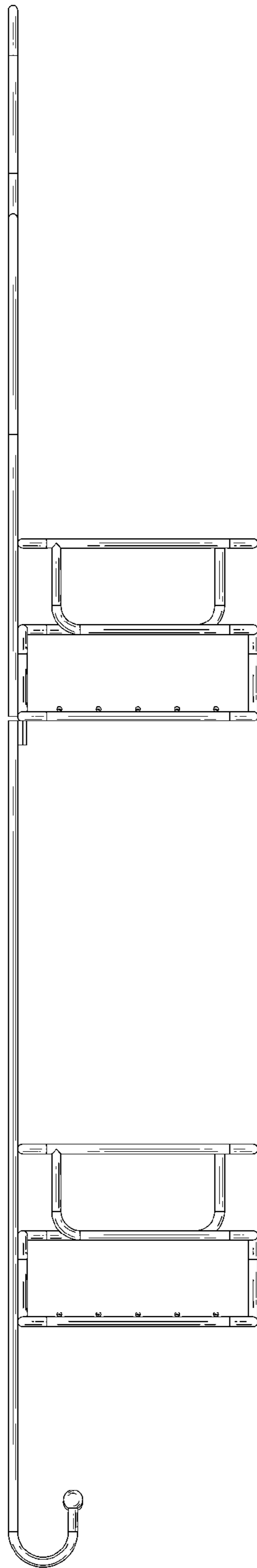


FIG. 4

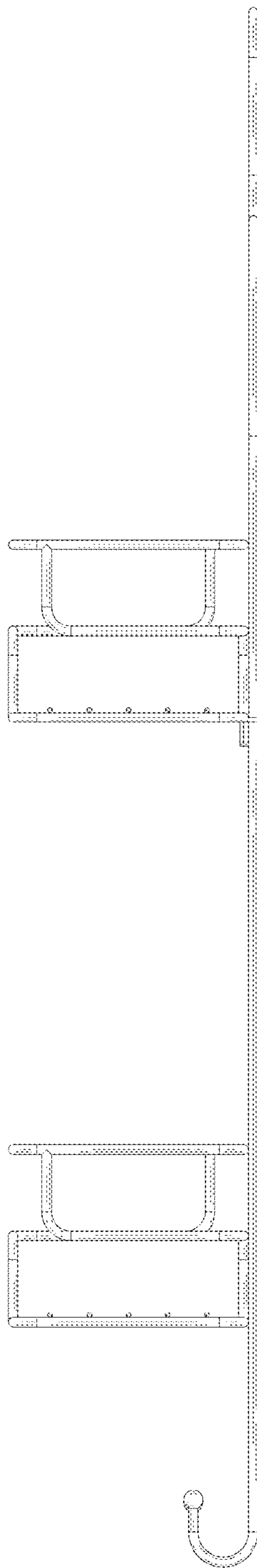


FIG. 5

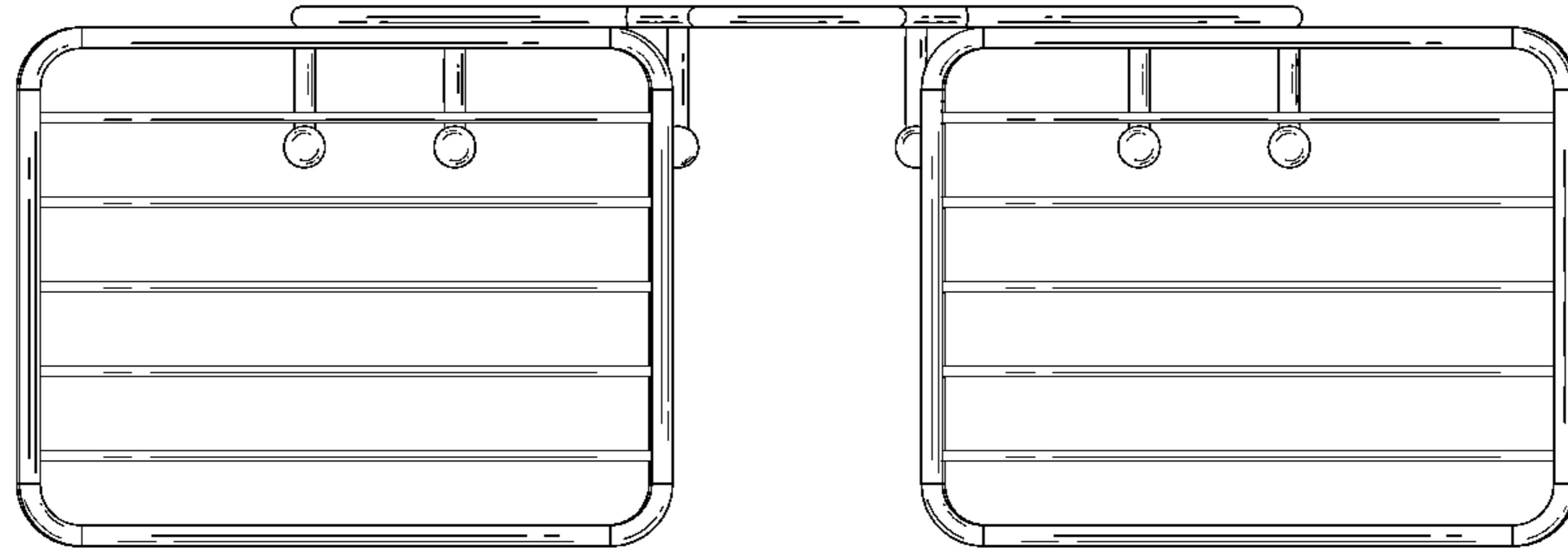


FIG. 6

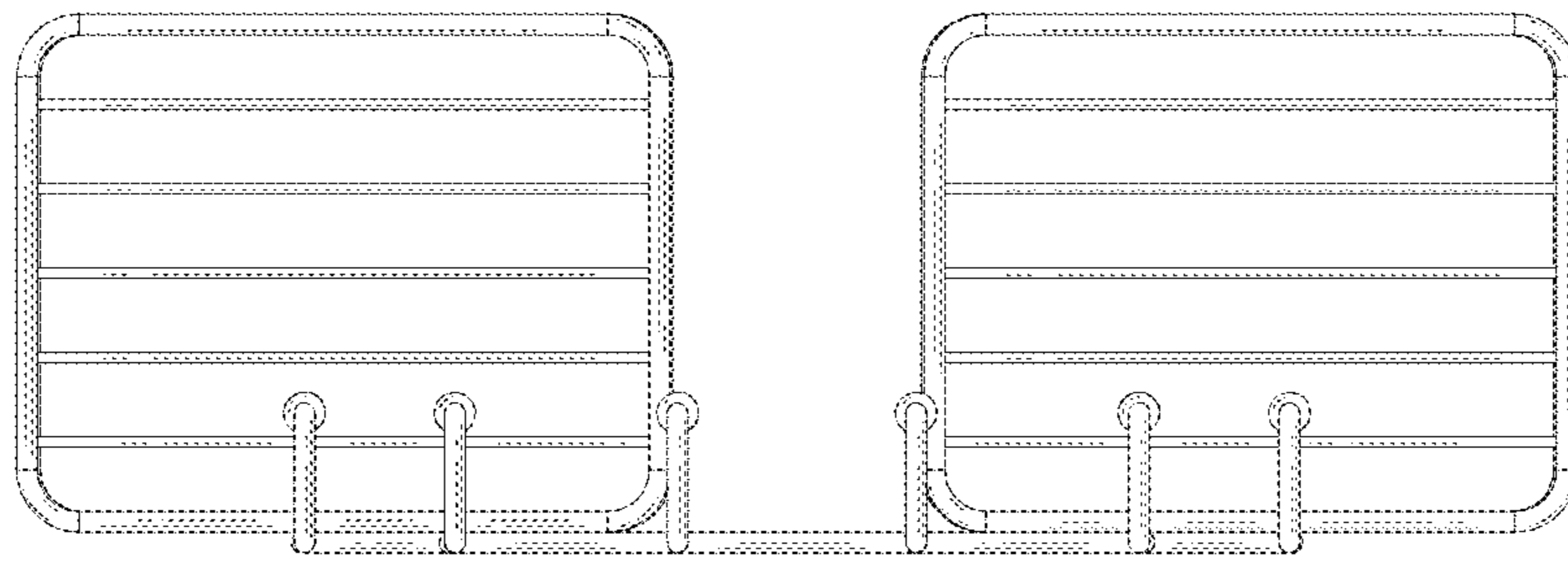


FIG. 7