



US00D963369S

(12) **United States Design Patent** (10) **Patent No.:** **US D963,369 S**  
**Liu** (45) **Date of Patent:** **\*\* Sep. 13, 2022**

(54) **PAPER TOWEL HOLDER**  
(71) Applicant: **SHENZHEN HUAIMING TRADING CO., LTD.**, Shenzhen (CN)

D930,387 S \* 9/2021 Liang ..... D6/522  
D951,673 S \* 5/2022 Liu ..... D6/522  
2009/0078816 A1\* 3/2009 Tong ..... A47K 10/3836  
242/597

(72) Inventor: **Shouhua Liu**, Shenzhen (CN)  
(73) Assignee: **SHENZHEN HUAIMING TRADING CO., LTD.**, Shenzhen (CN)

**OTHER PUBLICATIONS**

Dr Catch, Paper Towel Holders . . .—Oct. 12, 2020,amazon.com,URL:https://www.amazon.com/Paper-Towel-Holders-Towels-Rolls/dp/B08L37BPBN/ref=cm\_cr\_arp\_d\_product\_top?ie=UTF8&th=1,3 pgs, retrieved May 7, 2022 (Year: 2020).\*

(\*\*) Term: **15 Years**

\* cited by examiner

(21) Appl. No.: **29/777,718**

*Primary Examiner* — Mary Shannon Malley  
*Assistant Examiner* — Mark Booker

(22) Filed: **Apr. 8, 2021**

(51) **LOC (13) Cl.** ..... **23-02**

(52) **U.S. Cl.**  
USPC ..... **D6/521**

(57) **CLAIM**

(58) **Field of Classification Search**  
USPC ..... D6/521, 518, 522, 523, 524, 546–550;  
D8/300, 307, 308, 315–321  
CPC ..... A47K 10/3836; A47K 10/38  
See application file for complete search history.

The ornamental design for a paper towel holder, as shown and described.

**DESCRIPTION**

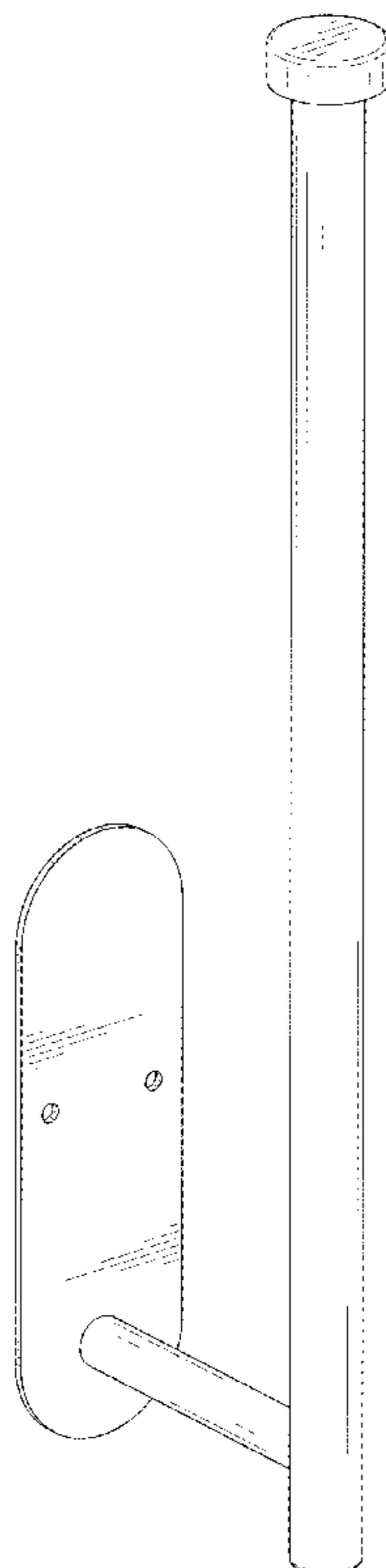
(56) **References Cited**

**U.S. PATENT DOCUMENTS**

D398,466 S \* 9/1998 Odom ..... D6/521  
D486,333 S \* 2/2004 Hoernig ..... D6/521  
D518,985 S \* 4/2006 Yang ..... D6/521  
D787,226 S 5/2017 Goodman et al.  
D811,114 S 2/2018 Goodman et al.  
D916,491 S \* 4/2021 Chen ..... D6/522  
D919,320 S \* 5/2021 Zhong ..... D6/522

FIG. 1 is a perspective view of a paper towel holder showing my new design;  
FIG. 2 is another perspective view thereof;  
FIG. 3 is a front elevational view thereof;  
FIG. 4 is a rear elevational view thereof;  
FIG. 5 is a left side elevational view thereof;  
FIG. 6 is a right side elevational view thereof;  
FIG. 7 is a top plan view thereof; and,  
FIG. 8 is a bottom plan view thereof.

**1 Claim, 8 Drawing Sheets**



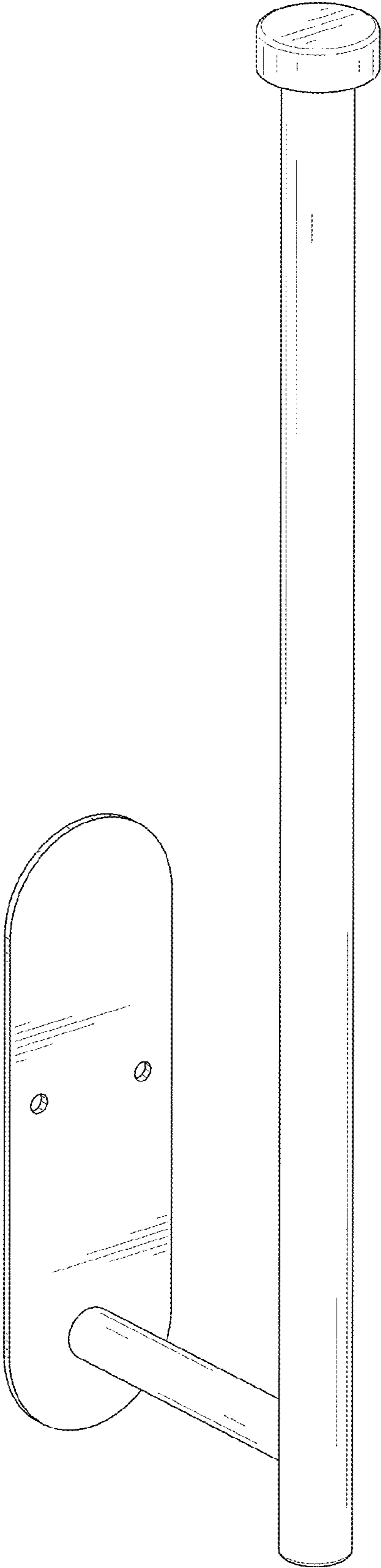


FIG. 1

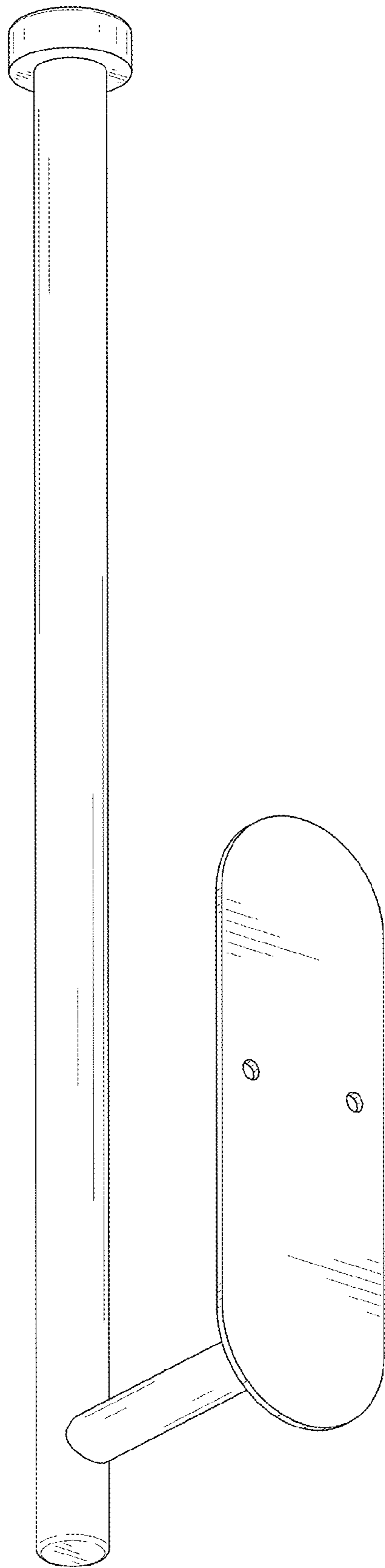


FIG. 2

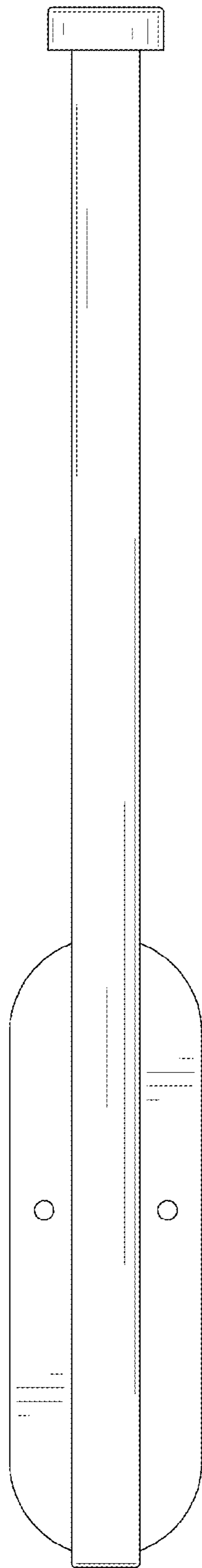


FIG. 3

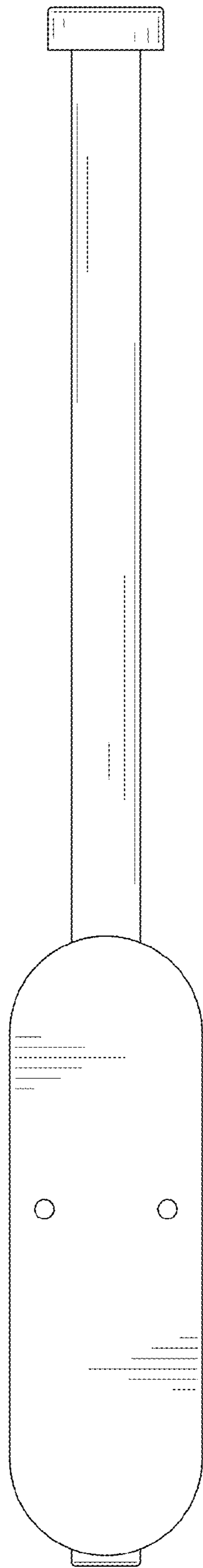


FIG. 4

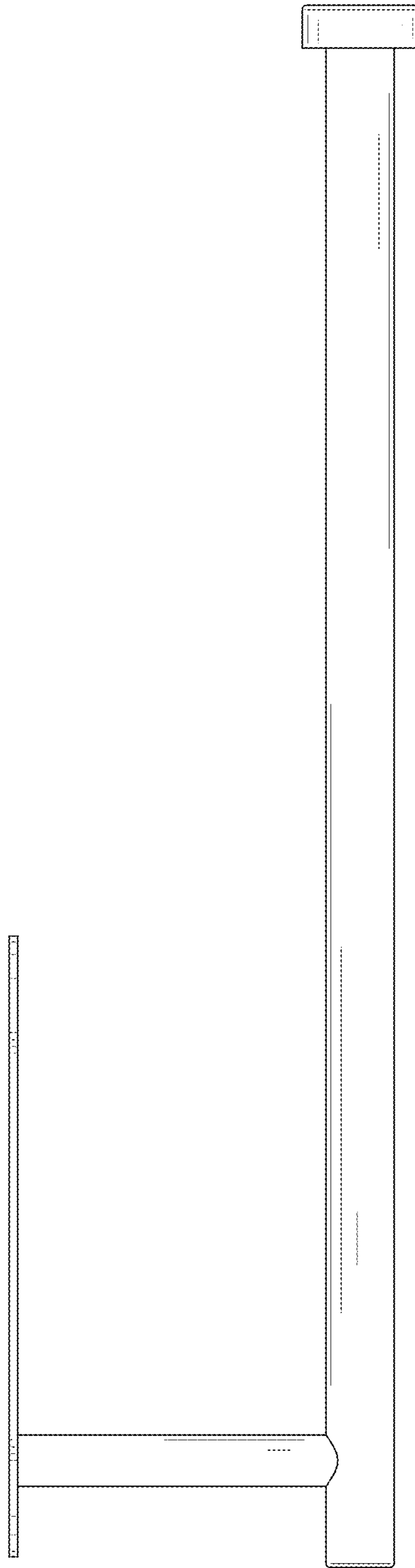


FIG. 5

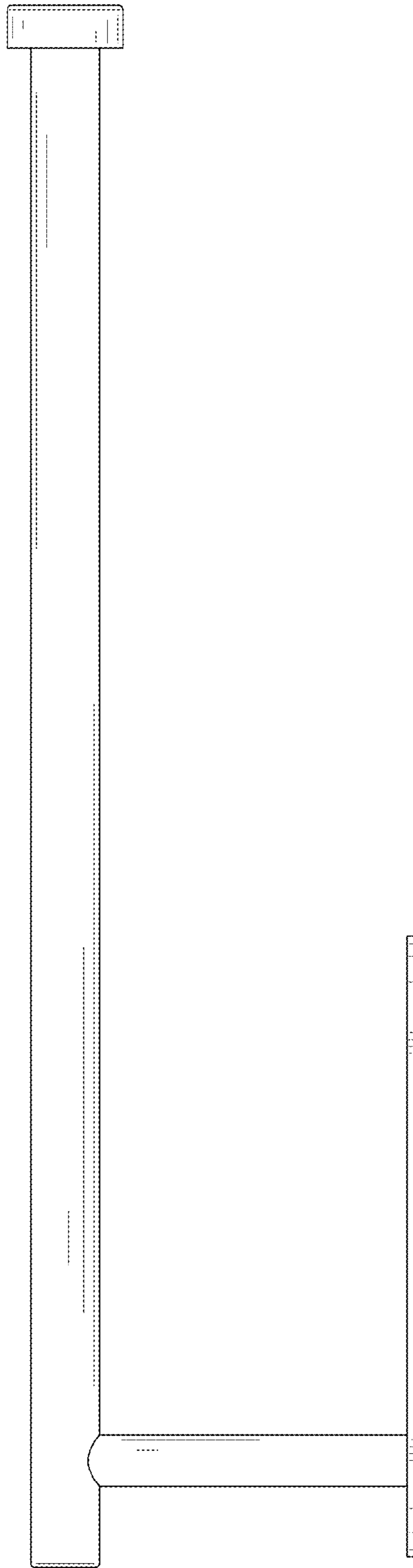


FIG. 6

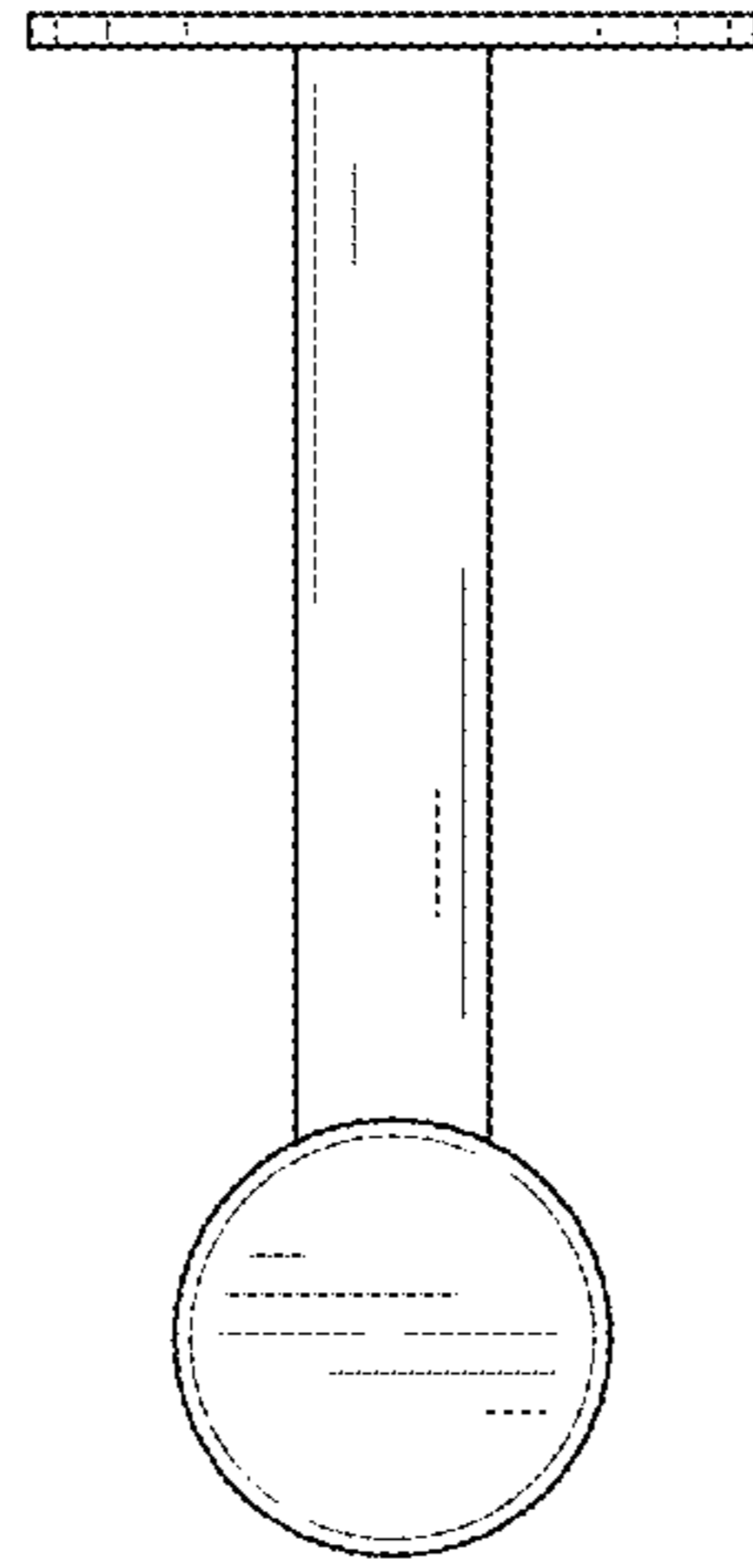


FIG. 7



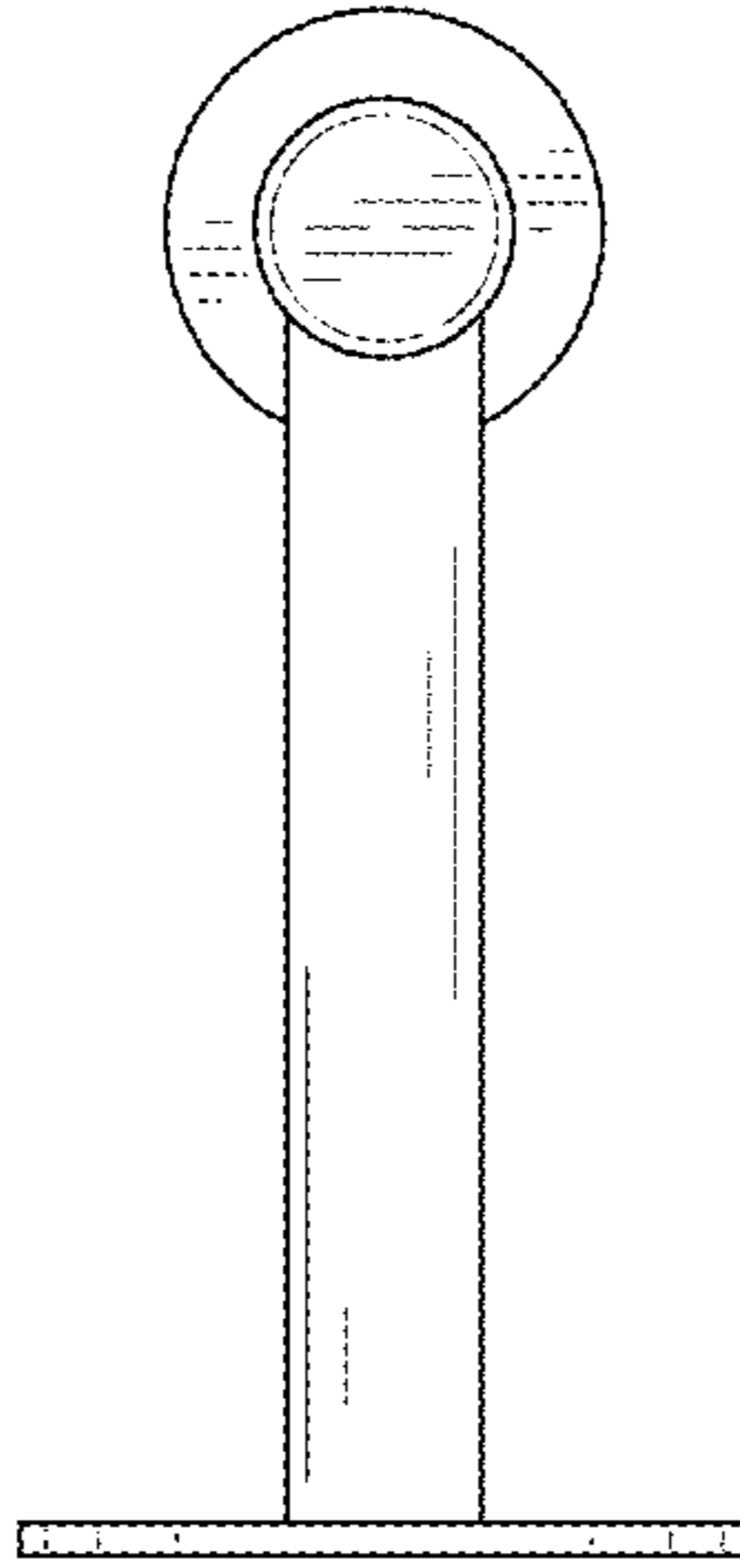


FIG. 8