



US00D963360S

(12) **United States Design Patent** (10) **Patent No.:** **US D963,360 S**
Weng (45) **Date of Patent:** **** Sep. 13, 2022**

(54) **CHILD SEAT**

(56) **References Cited**

(71) Applicant: **NINGBO BEICHI BABY PRODUCTS CO., LTD.**, Zhejiang (CN)
(72) Inventor: **Fangliang Weng**, Zhejiang (CN)
(73) Assignee: **NINGBO BEICHI BABY PRODUCTS CO., LTD.**, Ningbo (CN)

U.S. PATENT DOCUMENTS

D386,911 S	*	12/1997	Perego	D6/339
D619,382 S	*	7/2010	Chen	D6/339
D643,636 S	*	8/2011	Hu	D6/339
D699,955 S	*	2/2014	Chen	D6/339
D811,758 S	*	3/2018	Festa	D6/339
D839,616 S	*	2/2019	Yang	D6/339
D924,576 S	*	7/2021	Dorca Pujol	D6/339

* cited by examiner

(**) Term: **15 Years**

Primary Examiner — Abraham Bahta

(21) Appl. No.: **29/768,761**

(74) *Attorney, Agent, or Firm* — Wayne IP LLC

(22) Filed: **Feb. 1, 2021**

(57) **CLAIM**

(51) **LOC (13) Cl.** **06-01**

The ornamental design for a child seat, as shown and described.

(52) **U.S. Cl.**

DESCRIPTION

USPC **D6/339**

(58) **Field of Classification Search**

USPC D6/333-336, 339, 344, 702, 716, D6/716.1-716.7; 297/183.1-183.4, 297/184.13, 184.15, 184.17, 250.1, 255, 297/256.1, 256.15, 219.12, 463.1; D12/129-130, 133; D21/412, 428, 419; 280/30-31; 5/94, 98.1, 99.1, 101-102, 5/105, 655, 93.1, 12.1; 24/200
CPC A47D 13/02; A47D 13/10; A47D 13/083; A47D 1/00; A47D 1/002; A47D 1/004; A47D 1/008; A47D 1/04; B60N 2/22; B60N 2/24; B60N 2/2821; B60N 2/02; B60N 2/10; B60N 2/16; B60N 2002/0212; B60N 2002/0216; B60N 2002/022; A47C 3/00; A47C 3/02; A47C 3/025; A47C 3/20

FIG. 1 is a perspective view of a child seat showing our new design;

FIG. 2 is a front view thereof;

FIG. 3 is a back view thereof;

FIG. 4 is a left view thereof;

FIG. 5 is a right view thereof;

FIG. 6 is a top view thereof;

FIG. 7 is a bottom view thereof;

FIG. 8 is a partially enlarged view of FIG. 1;

FIG. 9 is another partially enlarged view of FIG. 1;

FIG. 10 is a partially enlarged view of FIG. 2;

FIG. 11 is a partially enlarged view of FIG. 3;

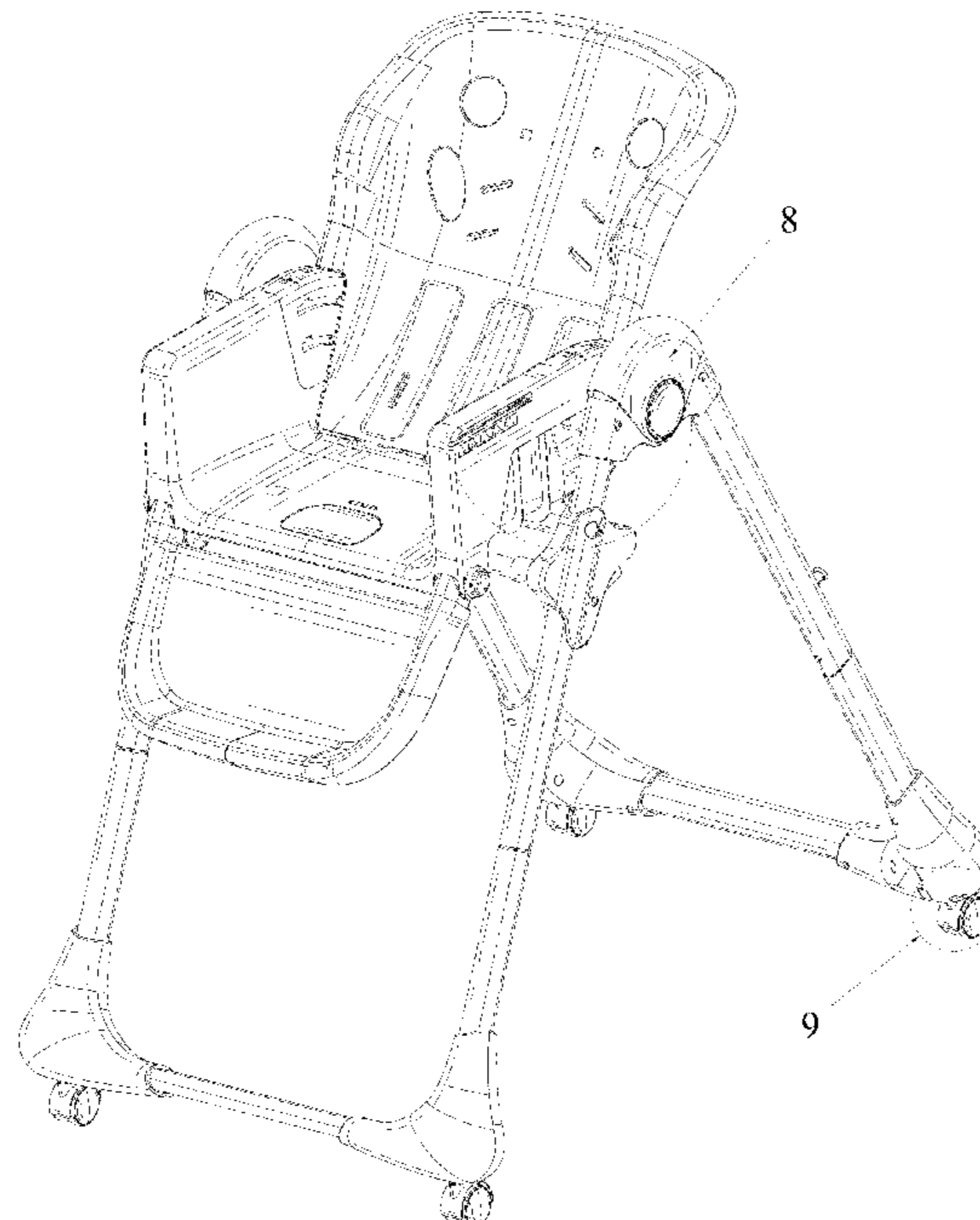
FIG. 12 is a partially enlarged view of FIG. 6; and,

FIG. 13 is a partially enlarged view of FIG. 7.

The broken lines shown on the drawings depict portions of the child seat that form no part of the claimed design.

See application file for complete search history.

1 Claim, 13 Drawing Sheets



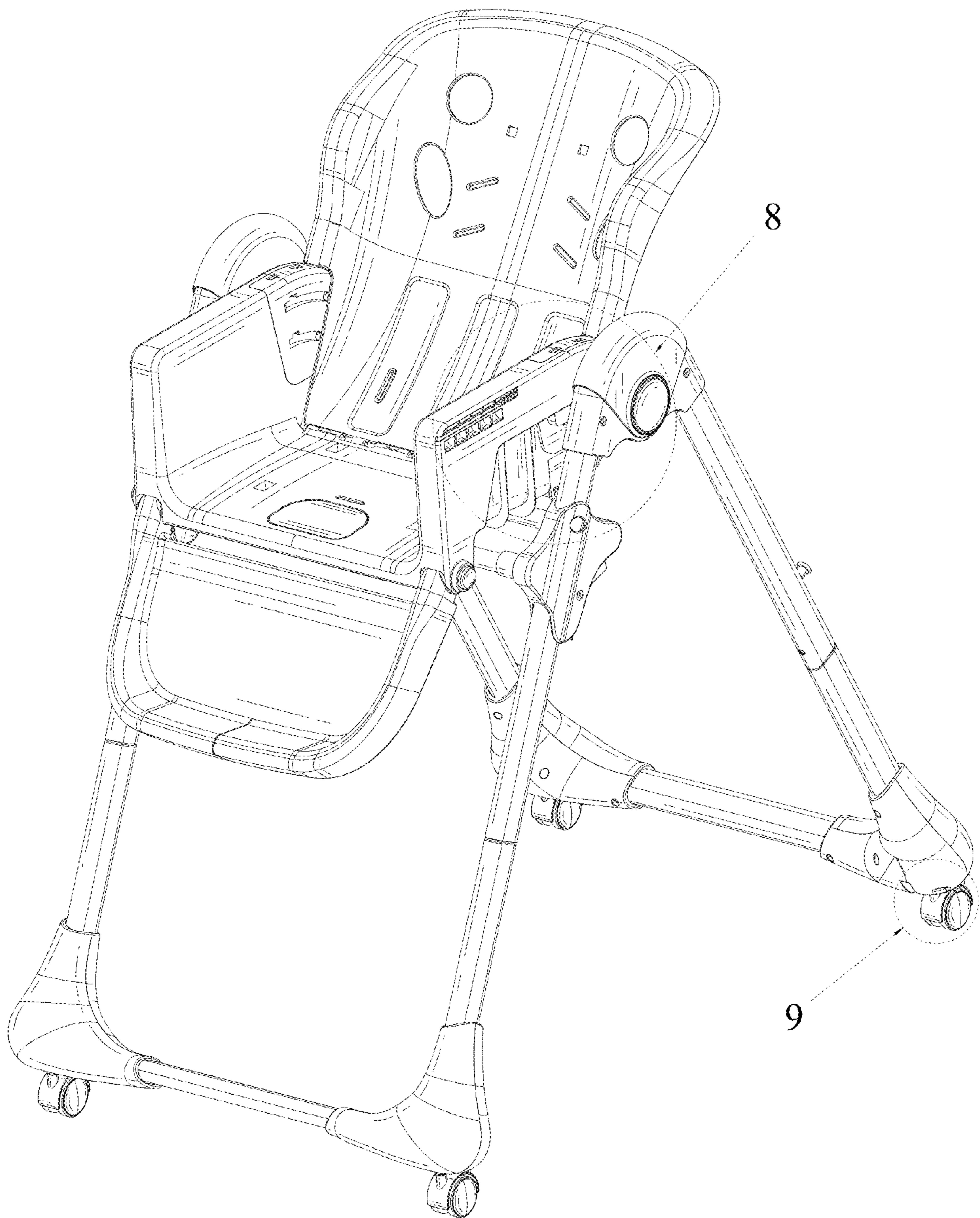


FIG. 1

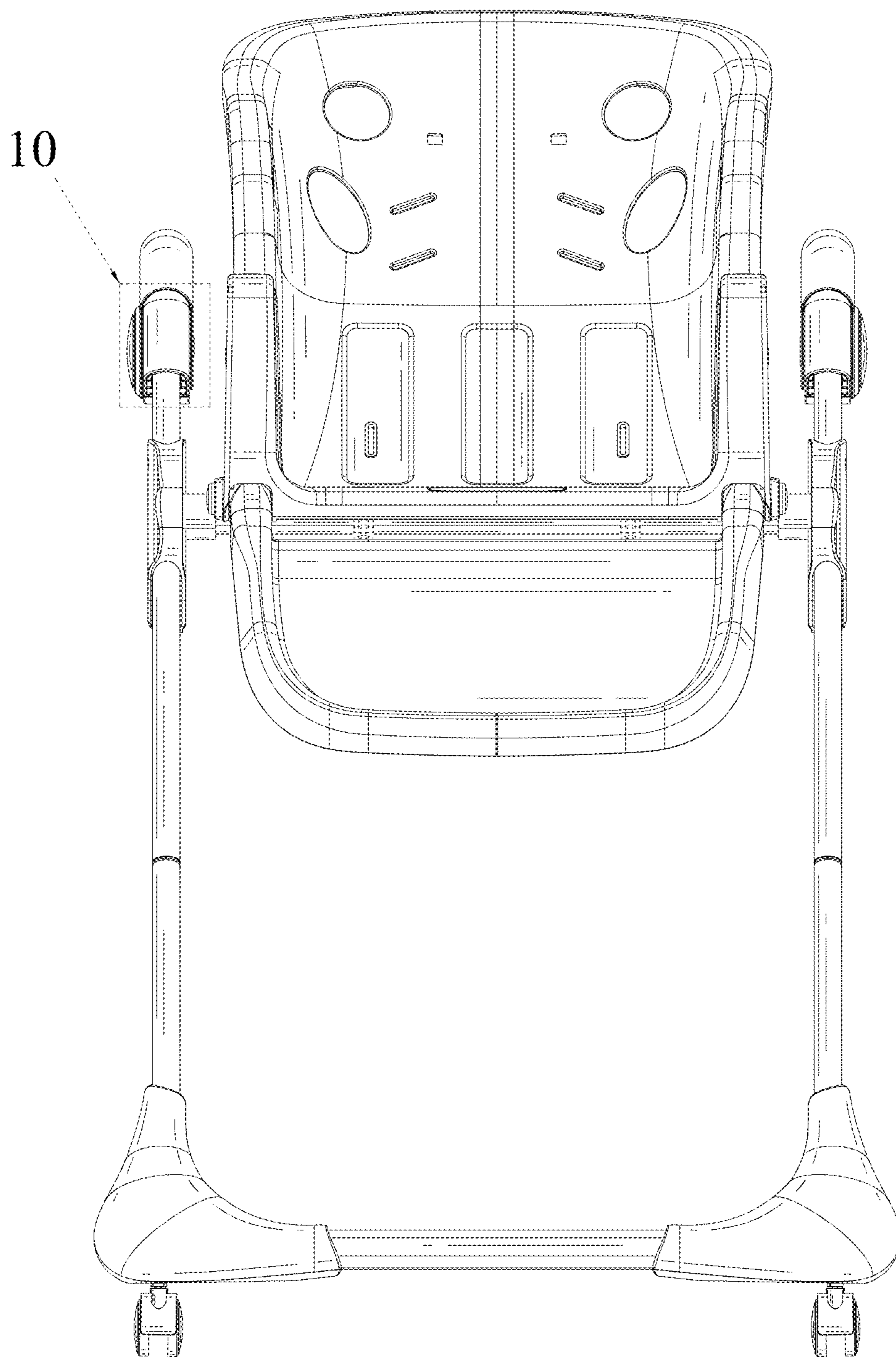


FIG. 2

11

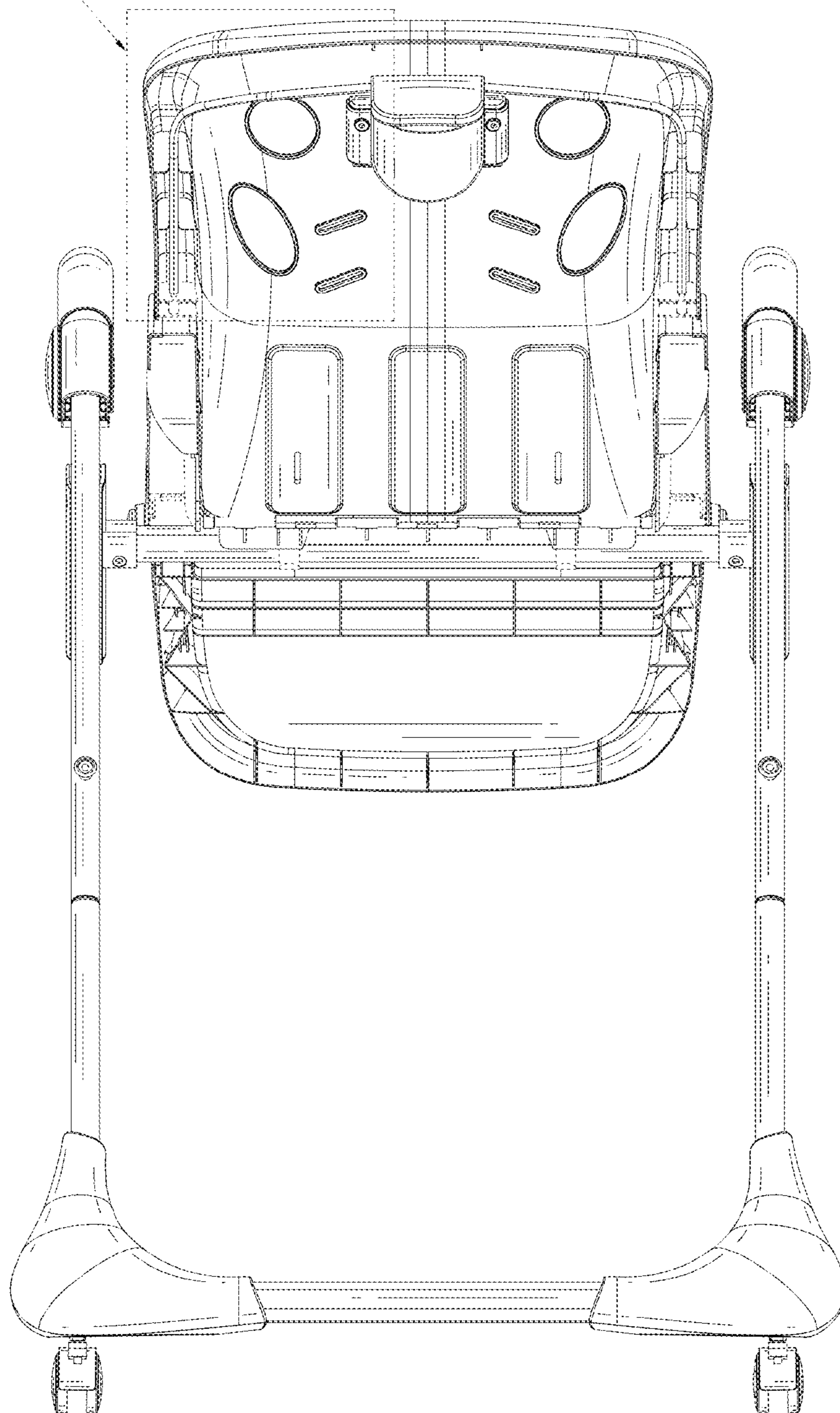


FIG. 3

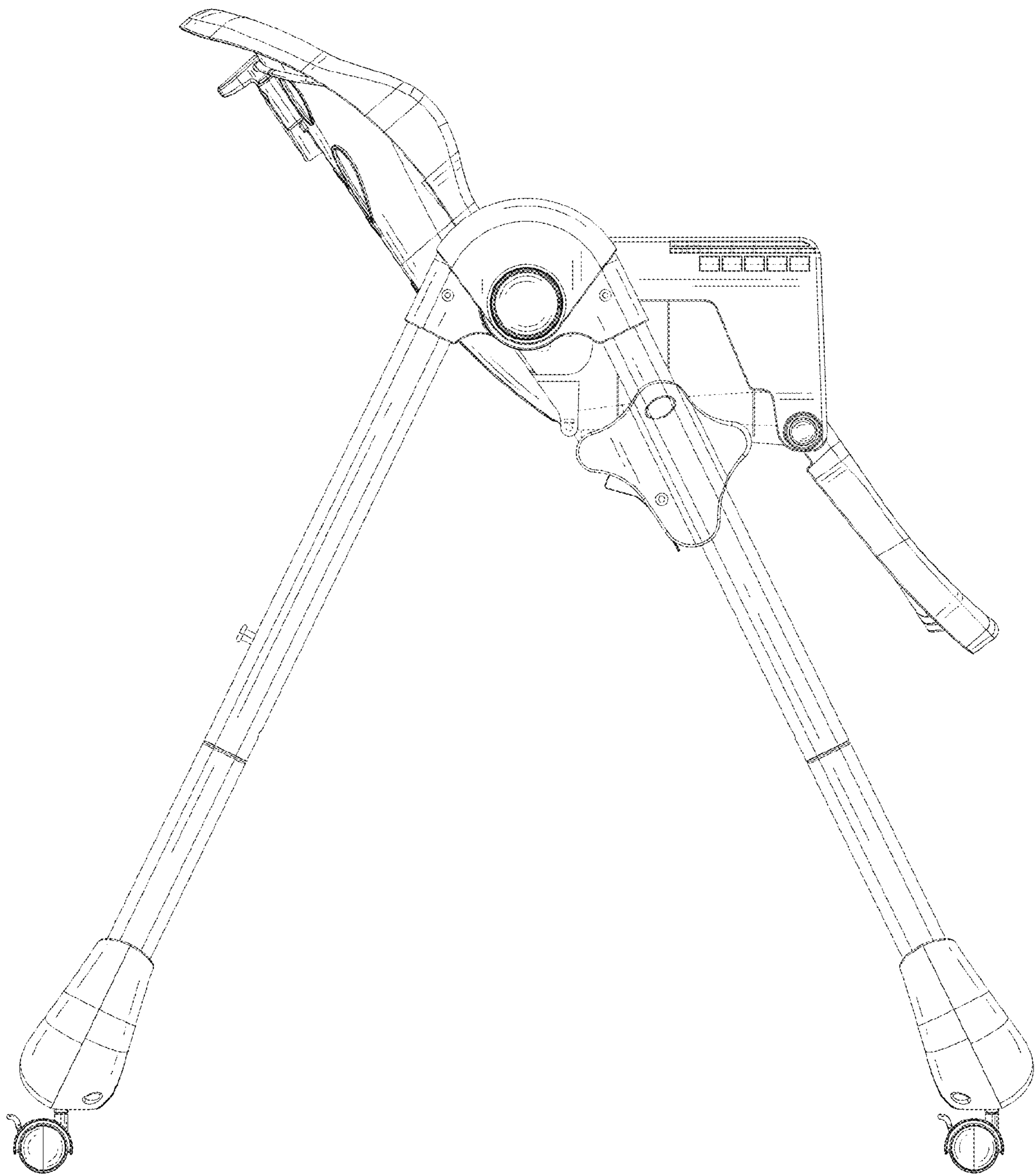


FIG. 4

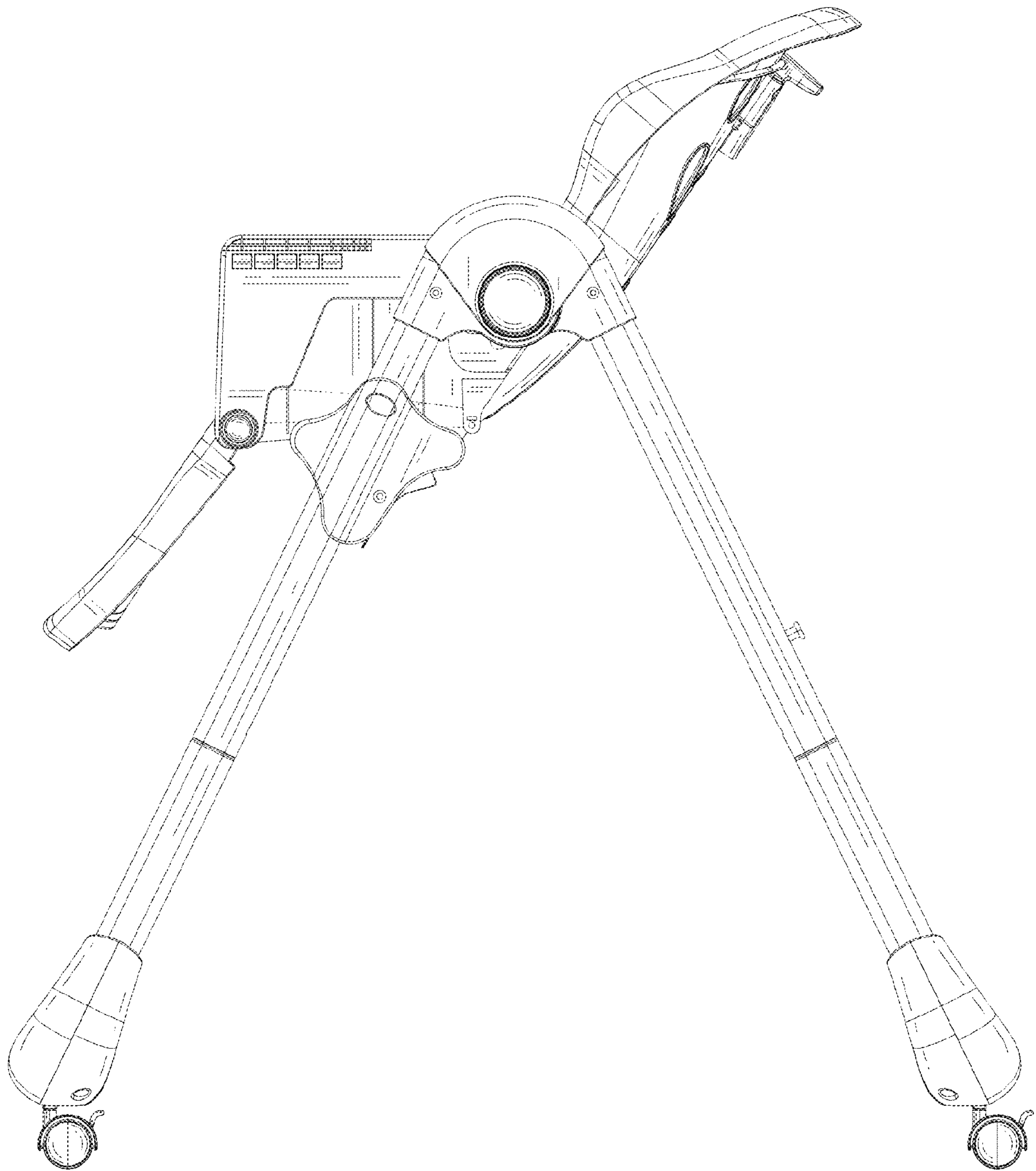


FIG. 5

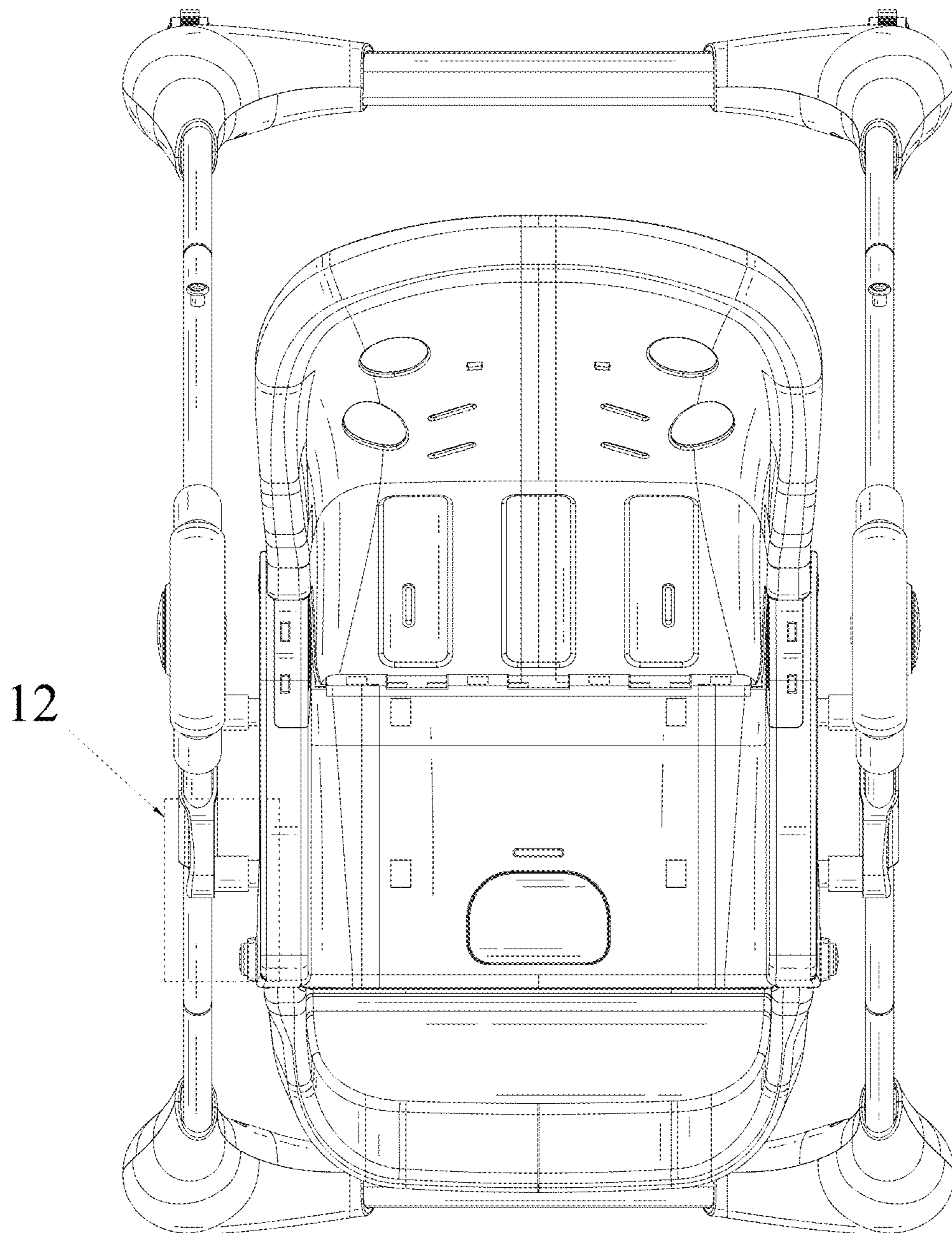


FIG. 6

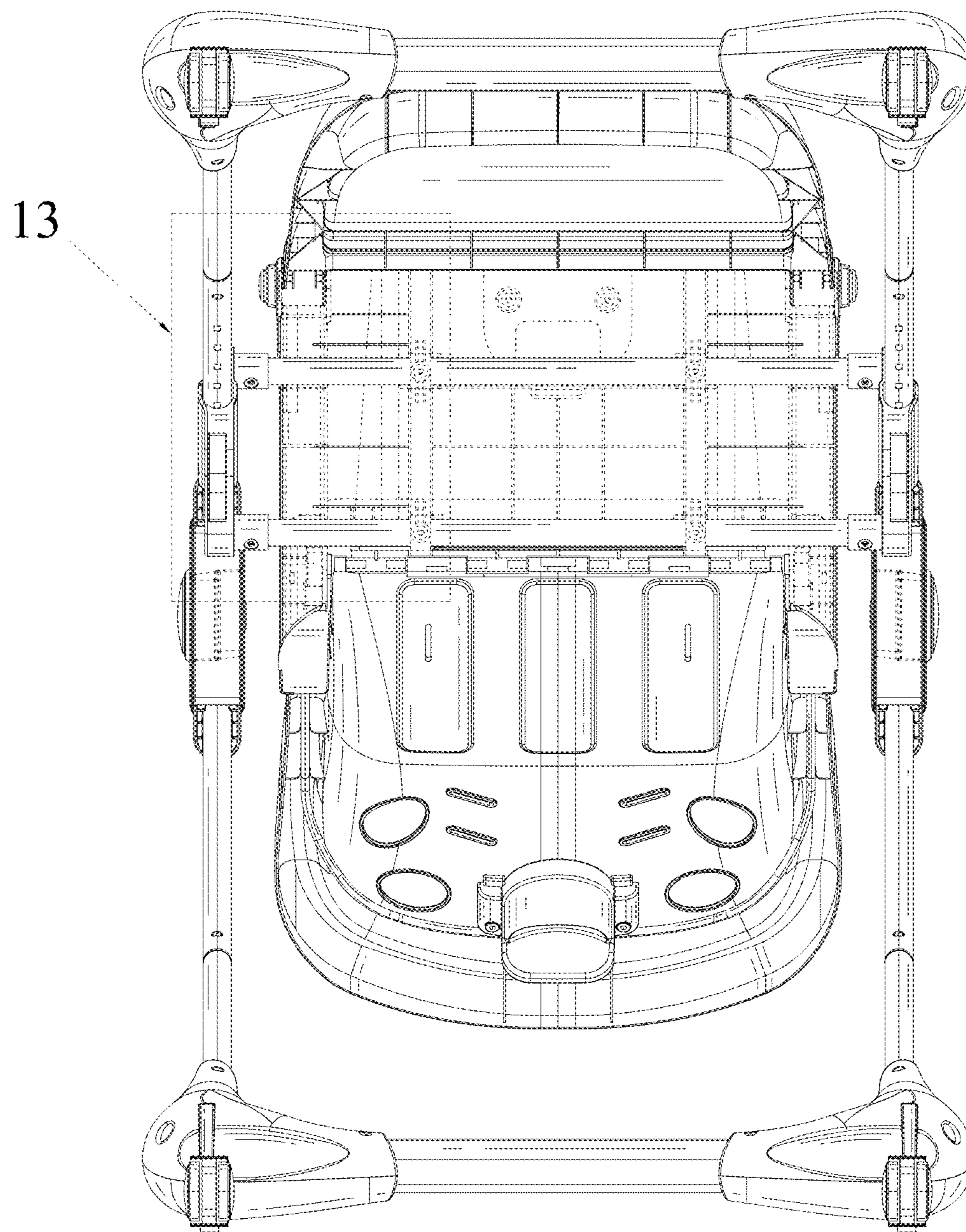


FIG. 7

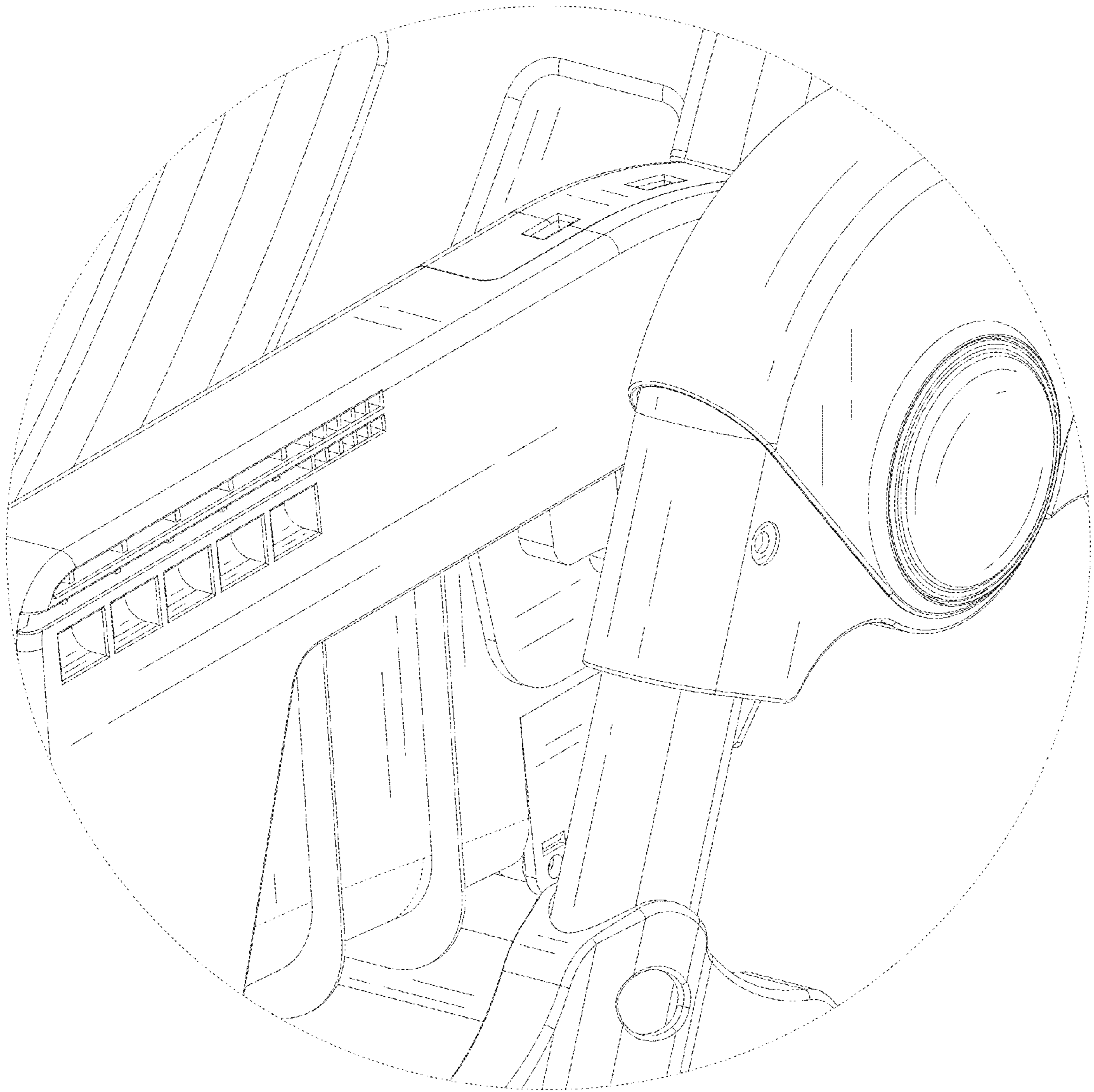


FIG. 8

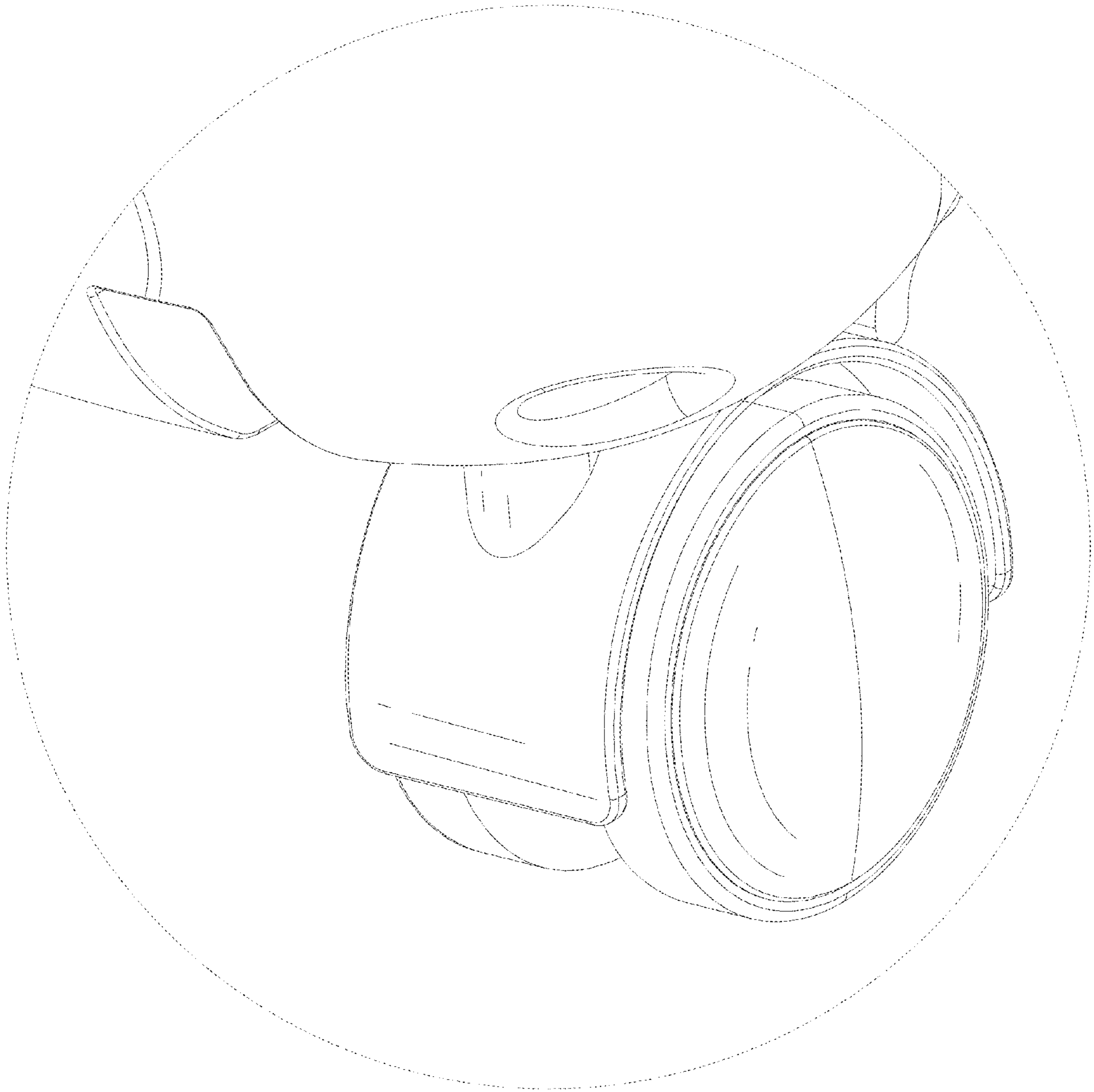


FIG. 9

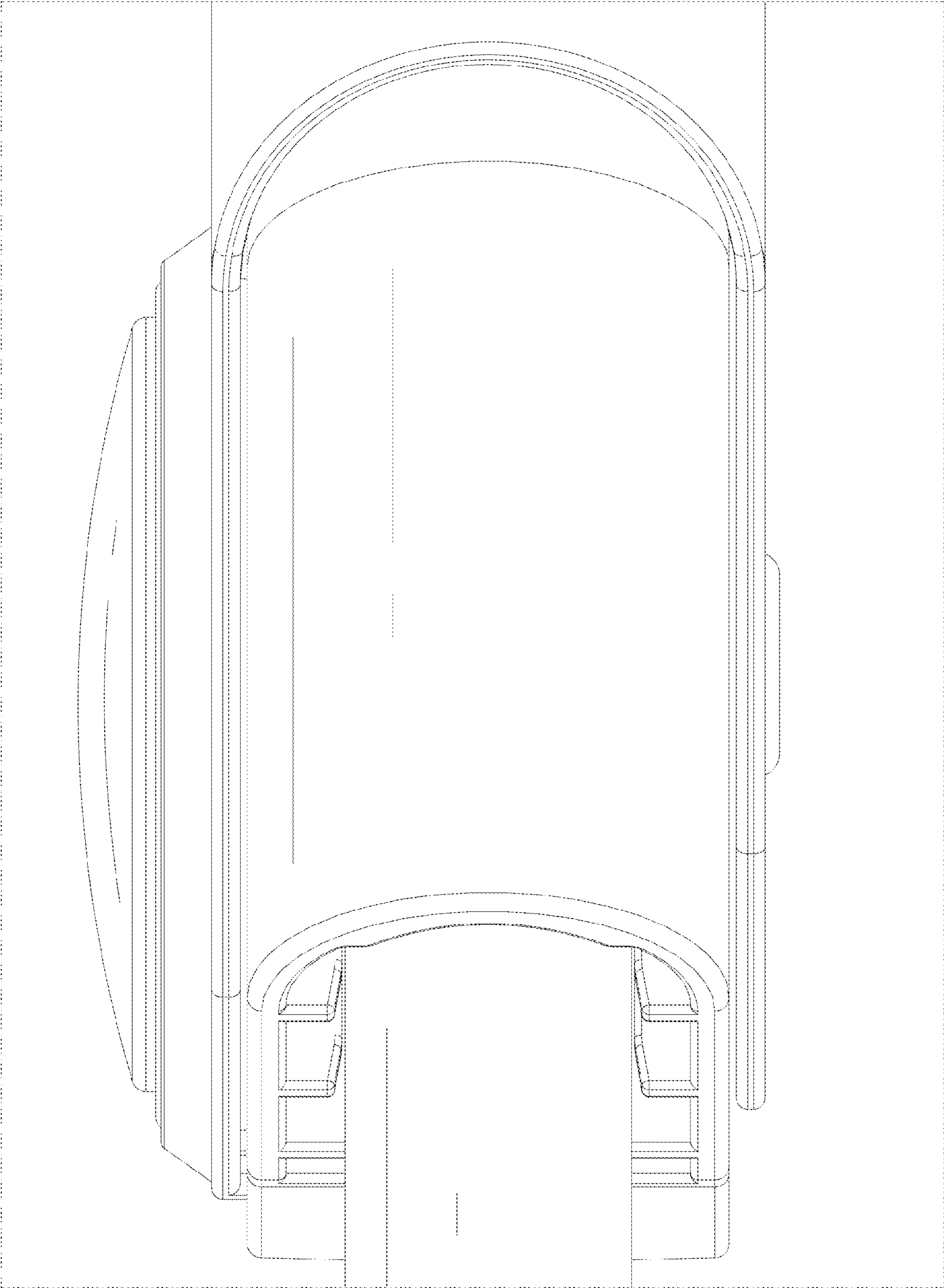


FIG. 10

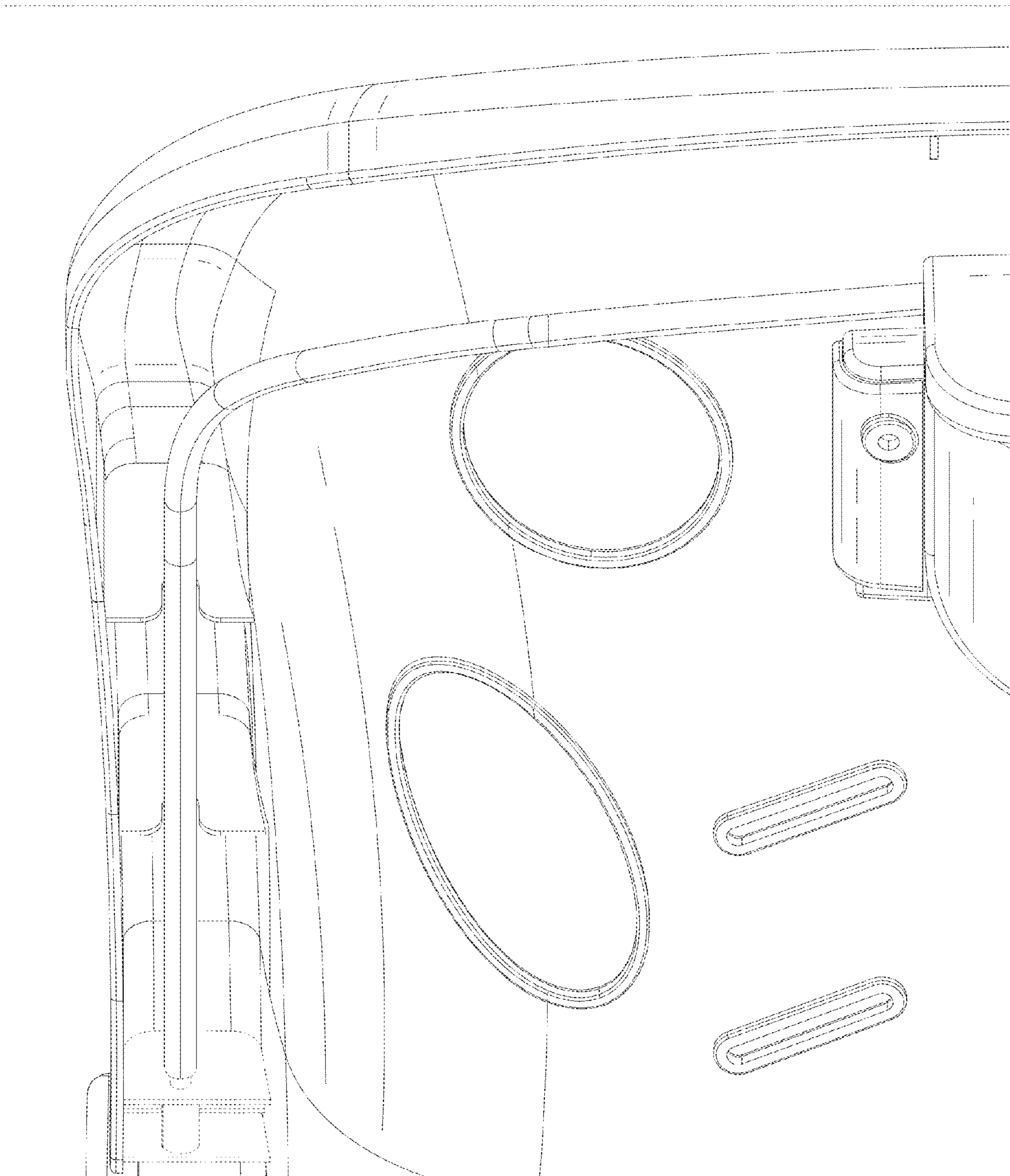


FIG. 11

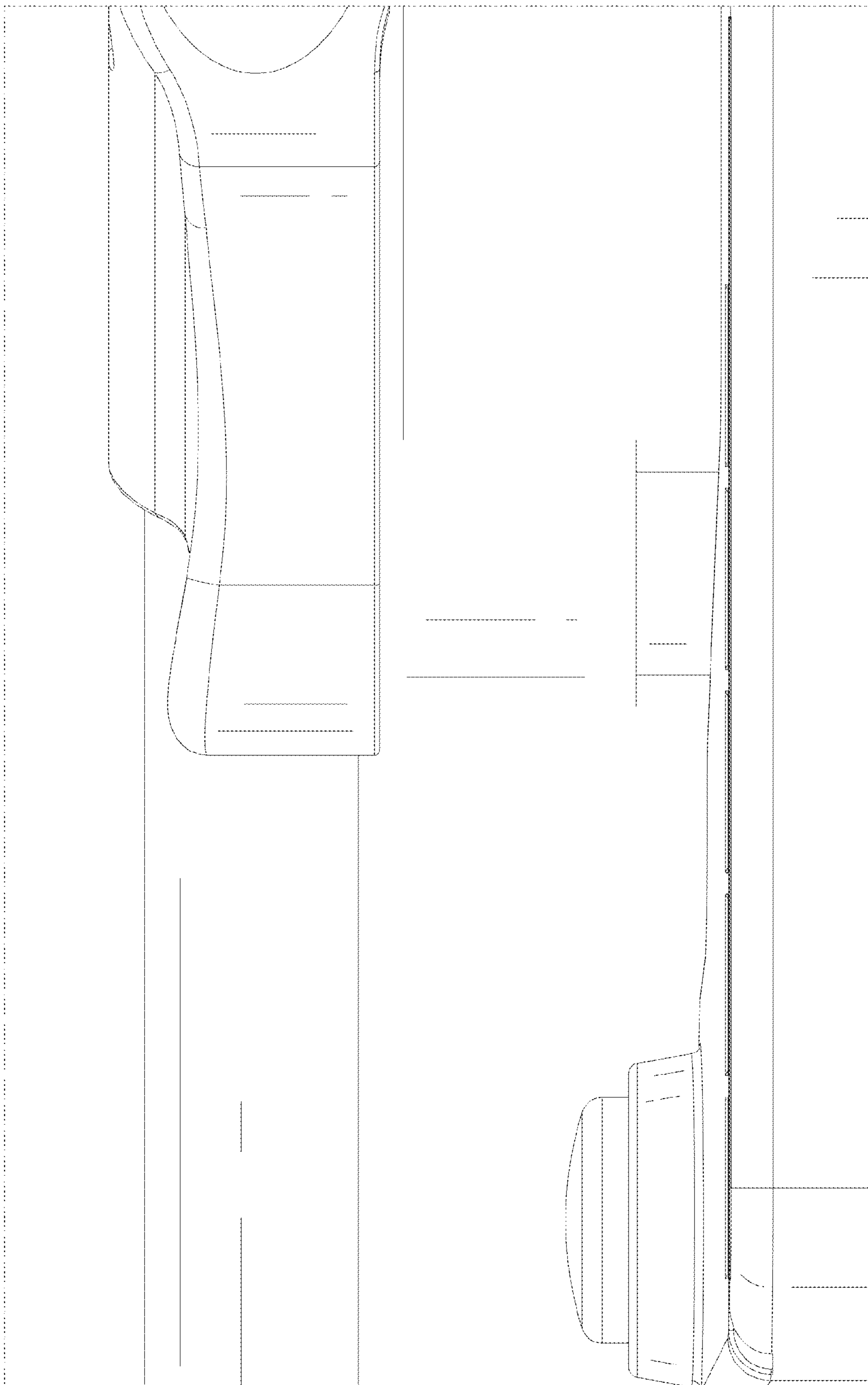


FIG. 12

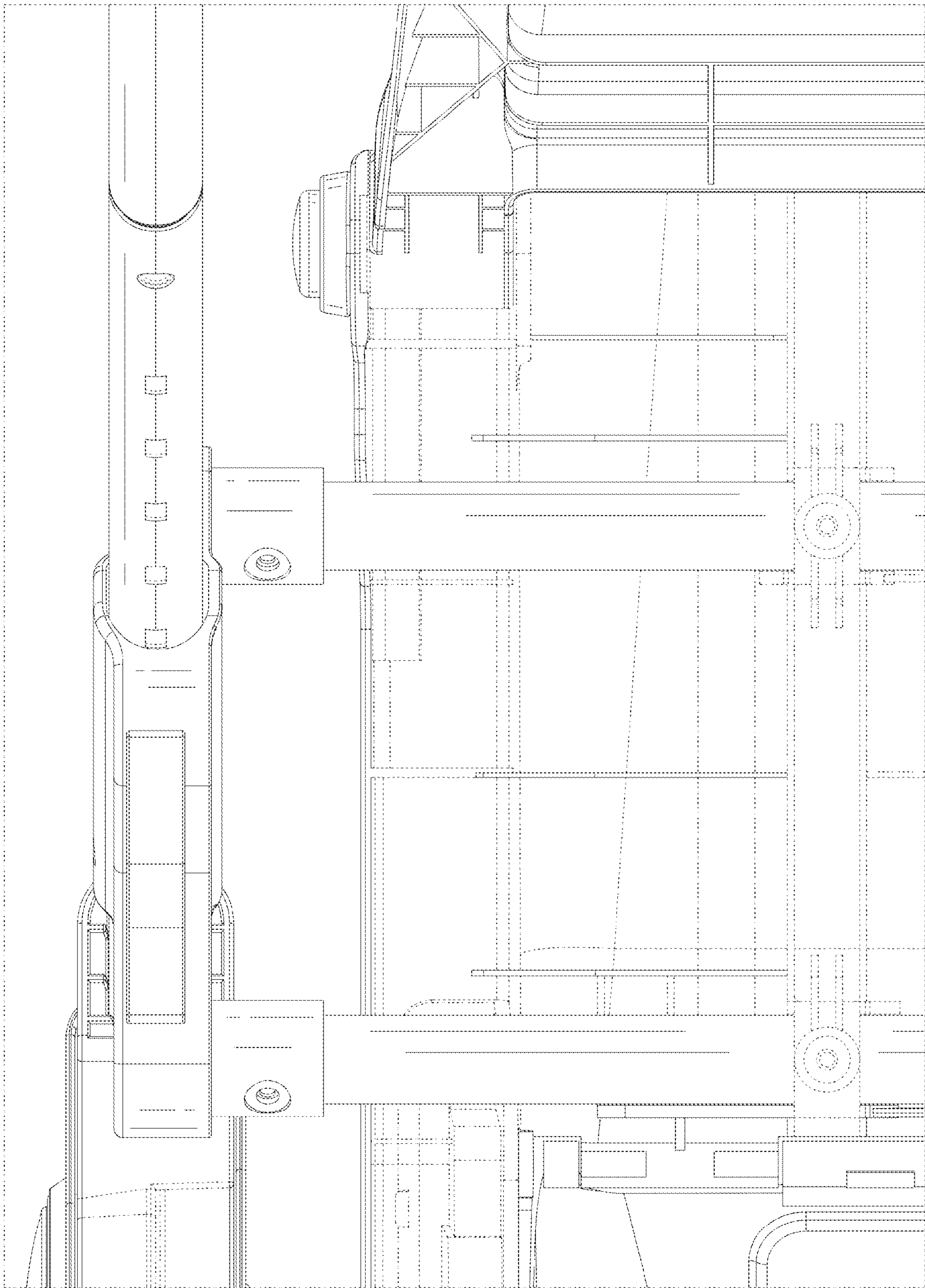


FIG. 13