



US00D963358S

(12) **United States Design Patent**
Schweikarth

(10) **Patent No.:** **US D963,358 S**

(45) **Date of Patent:** **** Sep. 13, 2022**

(54) **WORK LOUNGE**

(71) Applicant: **Kimball International, Inc.**, Jasper, IN (US)

(72) Inventor: **Derek Schweikarth**, Celestine, IN (US)

(73) Assignee: **Kimball International, Inc.**, Jasper, IN (US)

(**) Term: **15 Years**

(21) Appl. No.: **29/737,283**

(22) Filed: **Jun. 8, 2020**

(51) **LOC (13) Cl.** **06-01**

(52) **U.S. Cl.**
USPC **D6/335**

(58) **Field of Classification Search**

USPC D6/334, 335, 336, 349, 360, 361, 369,
D6/370, 374, 375, 378, 379, 380, 650,
D6/716, 716.1, 716.3

CPC A47C 4/02; A47C 4/03; A47C 3/12; A47C
5/04; A47C 5/12; A47C 4/024; A47C
4/028; A47C 7/54; A47C 1/00; A47C
3/38; A47C 7/006; A47C 13/00; A47C
15/00

See application file for complete search history.

(56) **References Cited**

U.S. PATENT DOCUMENTS

D434,233	S	*	11/2000	Frankel	D6/334
D689,290	S	*	9/2013	Chen	D6/334
D724,854	S	*	3/2015	Lee	D6/334
D754,983	S	*	5/2016	George, II	D6/371
D785,355	S	*	5/2017	George, II	D6/371
D799,228	S	*	10/2017	Lewis	D6/364
D862,095	S	*	10/2019	Young	D6/334
D880,173	S	*	4/2020	Killinger	D6/334
D888,440	S	*	6/2020	Hale	D6/334
D896,536	S	*	9/2020	Tian	D6/335

OTHER PUBLICATIONS

Eklund Lounge Chair [online], [site visited Jan. 25, 2022]. Available from internet, URL: <<https://www.kimballhospitality.com/products/detail/eklund-lounge-chair-rocker>> (Year: 2022).*

* cited by examiner

Primary Examiner — Cynthia Ramirez

Assistant Examiner — Xavier Marti-Santos

(74) *Attorney, Agent, or Firm* — Faegre Drinker Biddle & Reath LLP

(57) **CLAIM**

The ornamental design for a work lounge, as shown and described.

DESCRIPTION

FIG. 1 is a front perspective view of a first embodiment of a work lounge showing my new design;

FIG. 2 is front view thereof;

FIG. 3 is a rear view thereof;

FIG. 4 is left side view thereof;

FIG. 5 is a right side view thereof;

FIG. 6 is a top view thereof;

FIG. 7 is a front perspective view of a second embodiment of a work lounge showing my new design;

FIG. 8 is front view thereof;

FIG. 9 is a rear view thereof;

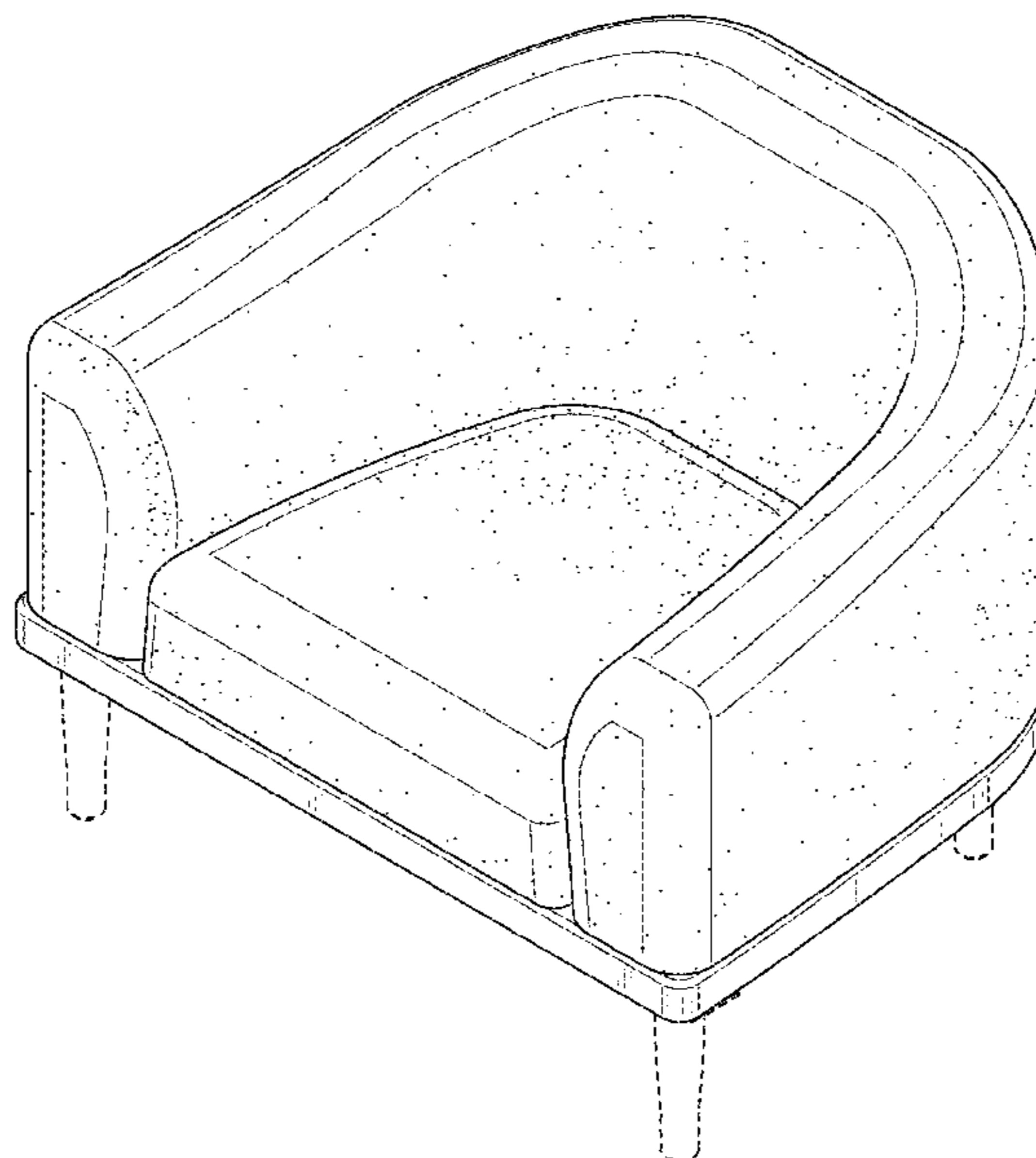
FIG. 10 is left side view thereof;

FIG. 11 is a right side view thereof; and,

FIG. 12 is a top view thereof.

The broken lines in the figures are for the purpose of illustrating portions of the work lounge, which form no part of the claimed design.

1 Claim, 12 Drawing Sheets



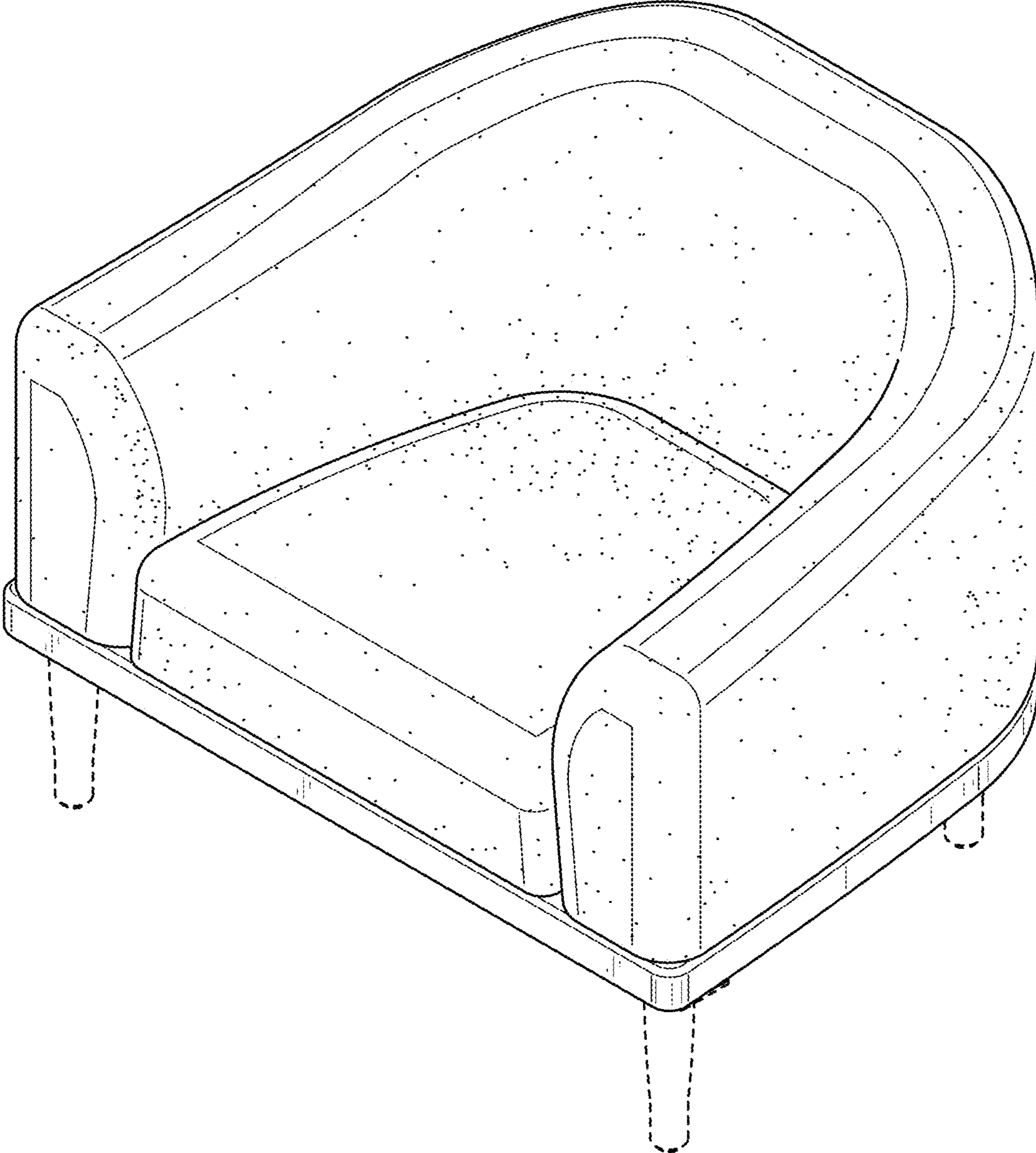


FIG. 1

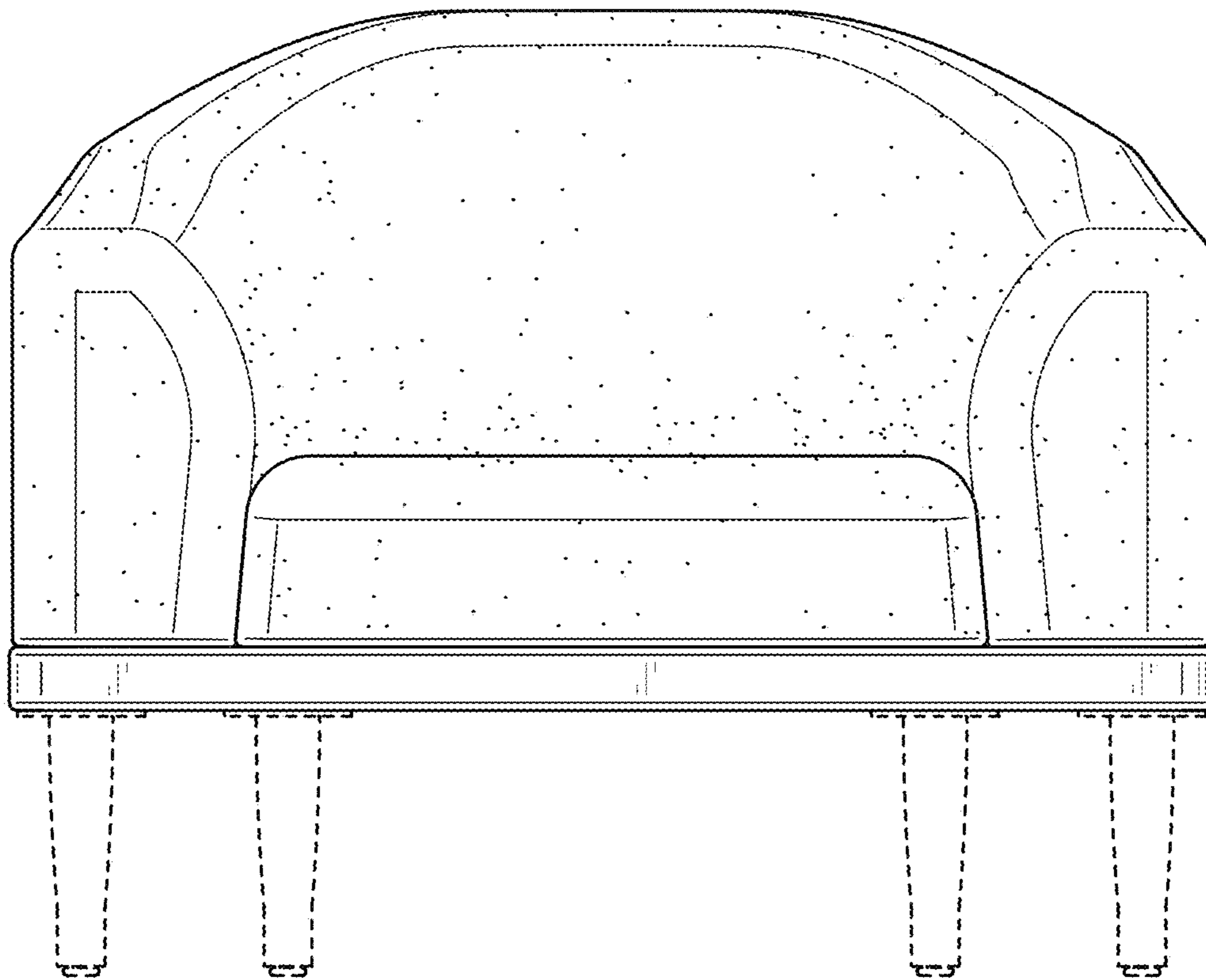


FIG. 2

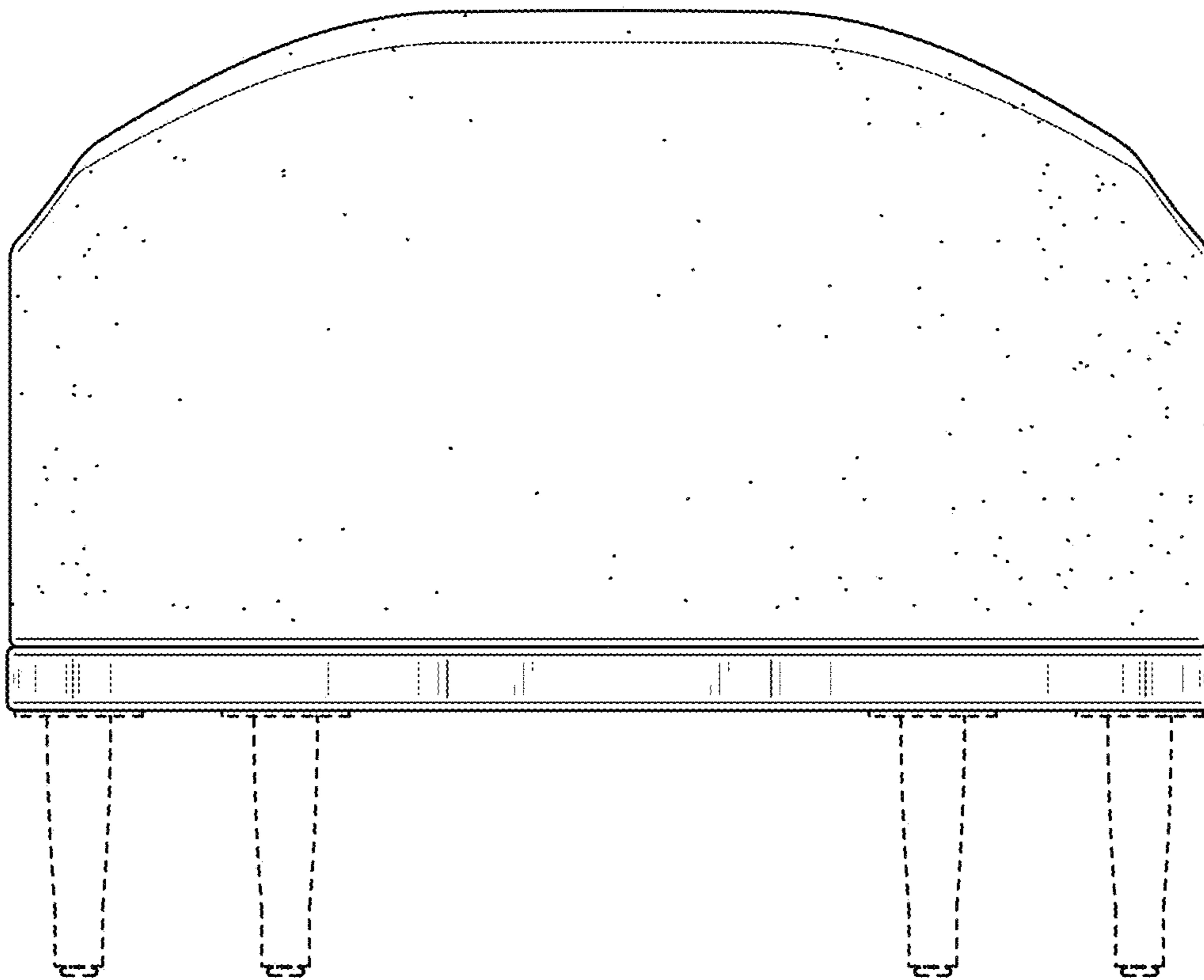


FIG. 3

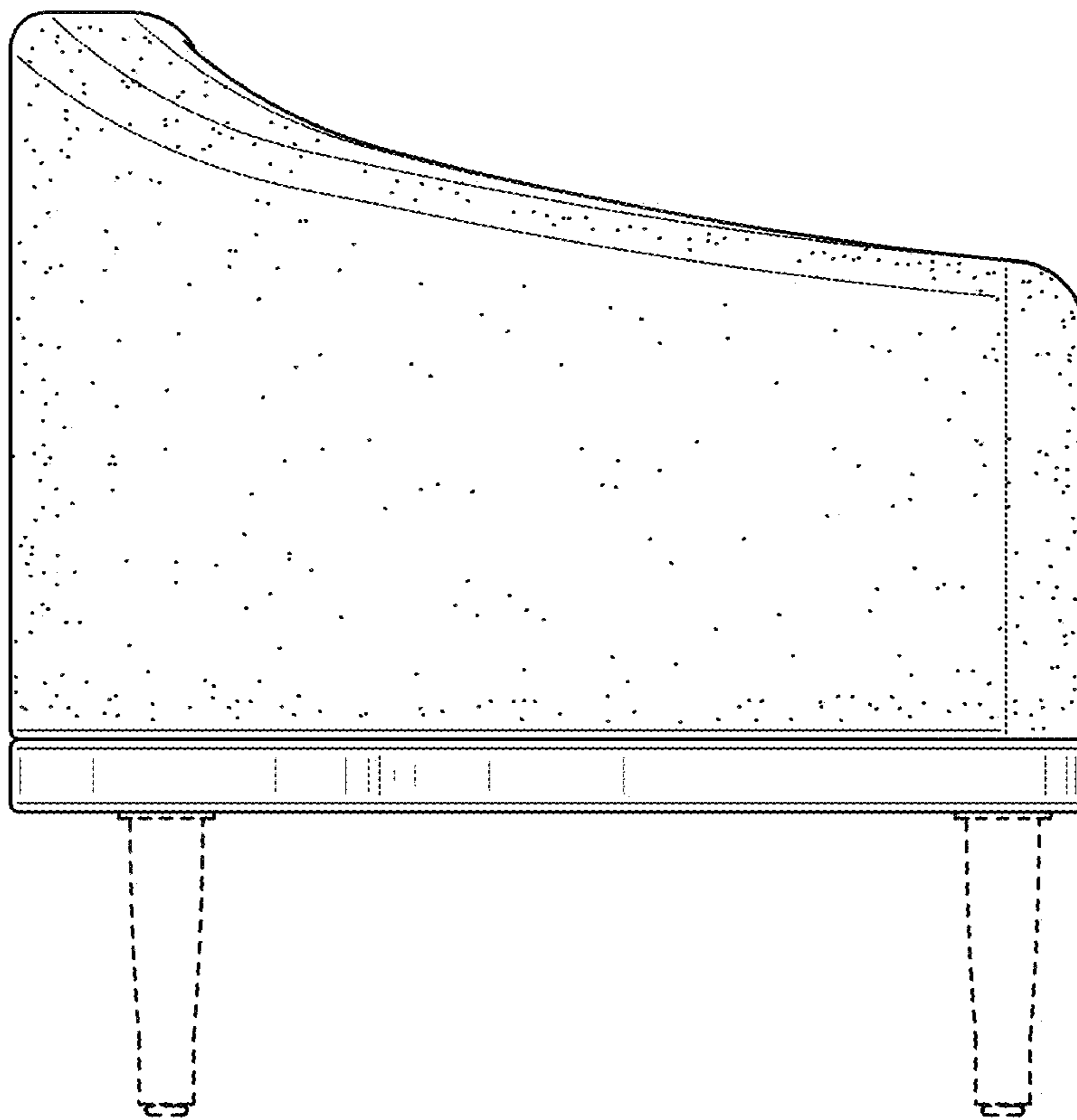


FIG. 4

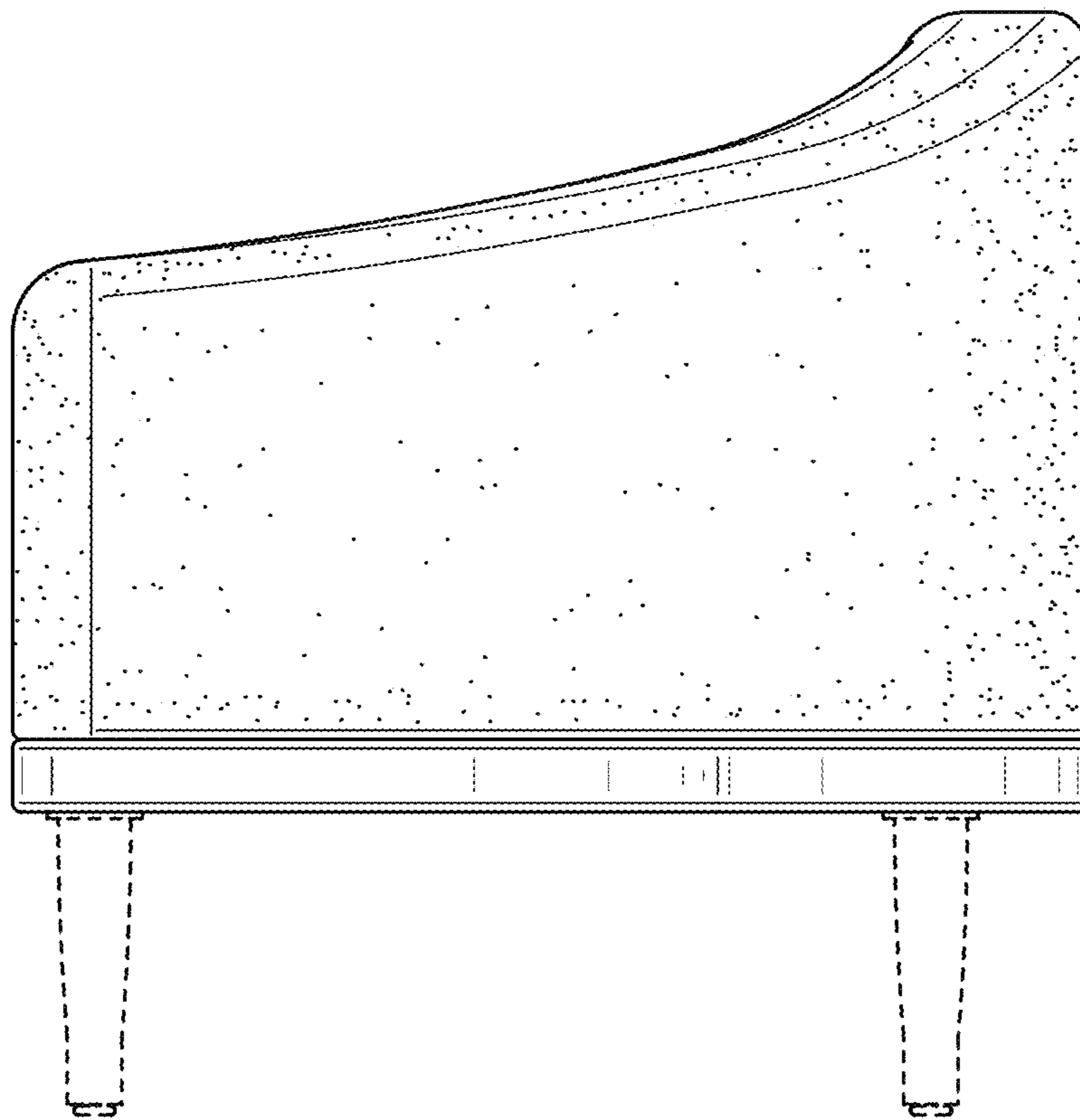


FIG. 5

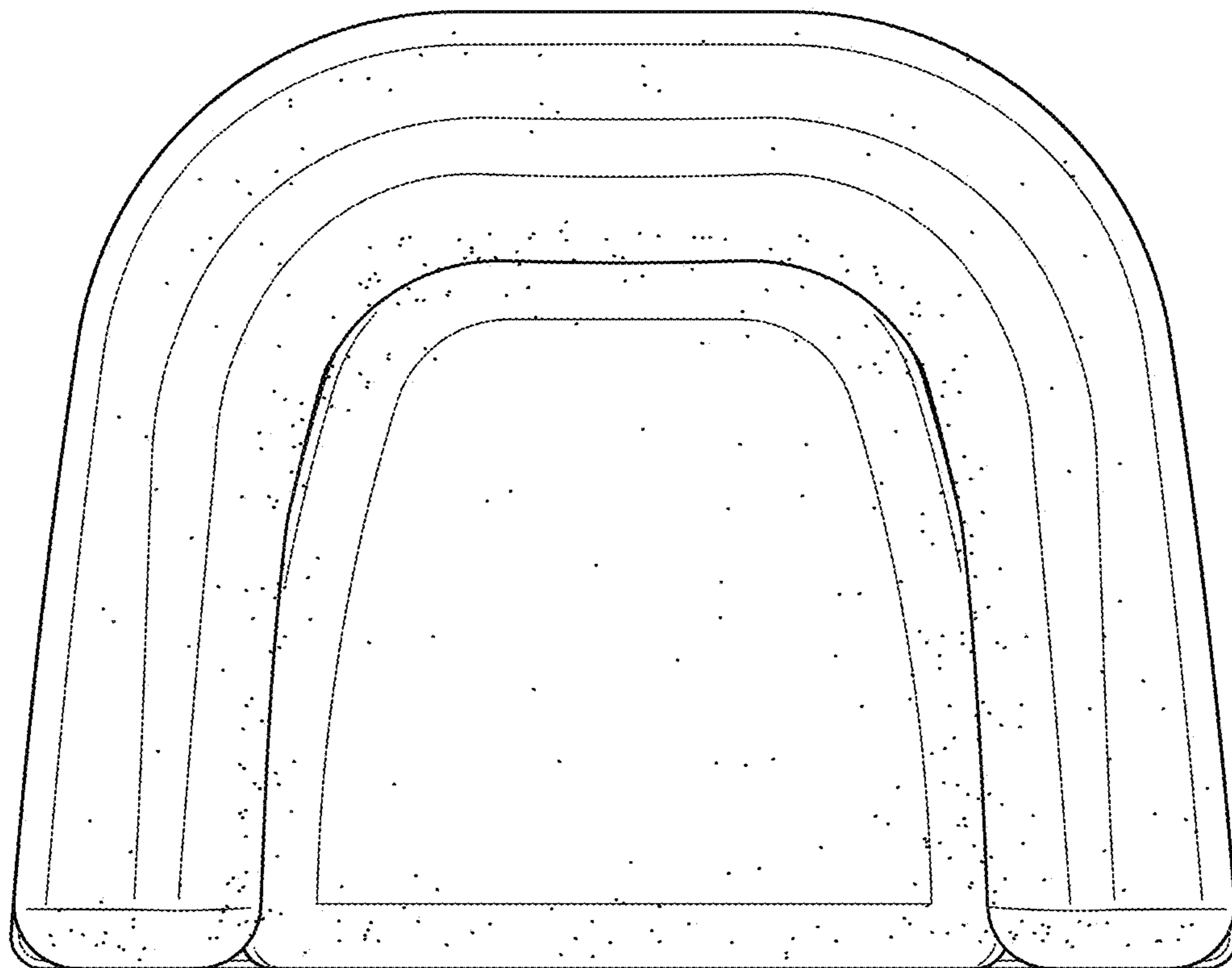


FIG. 6

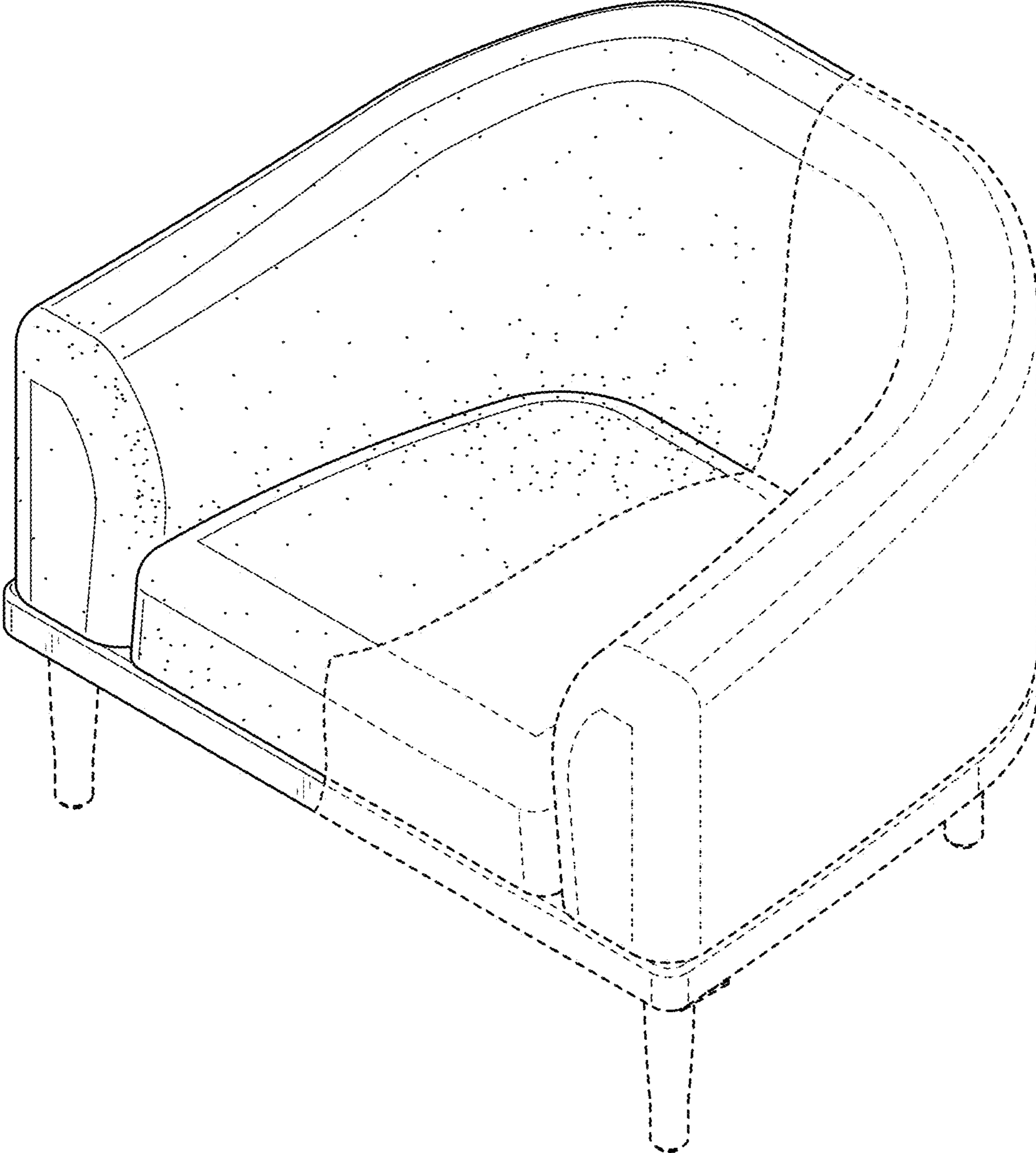


FIG. 7

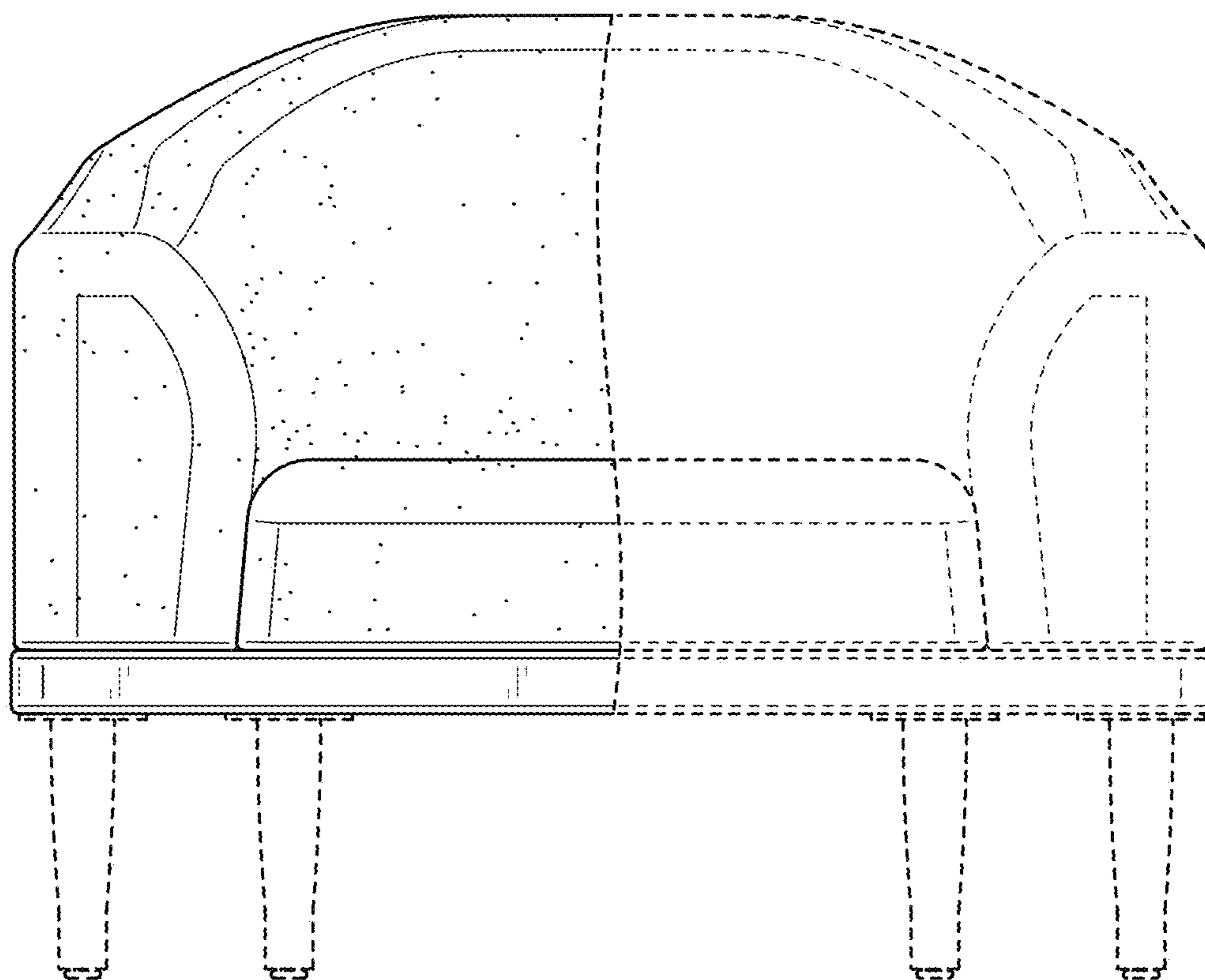


FIG. 8

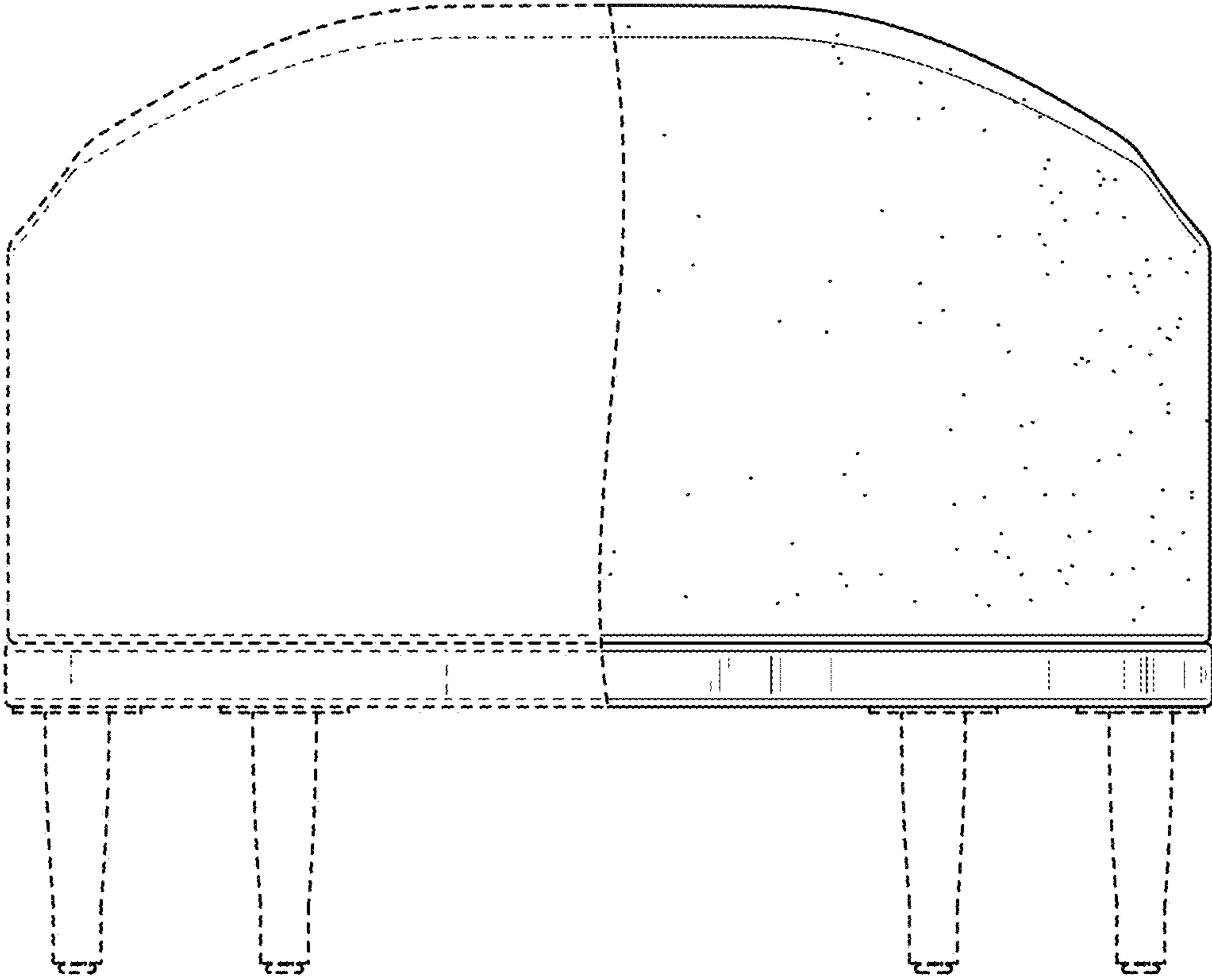


FIG. 9

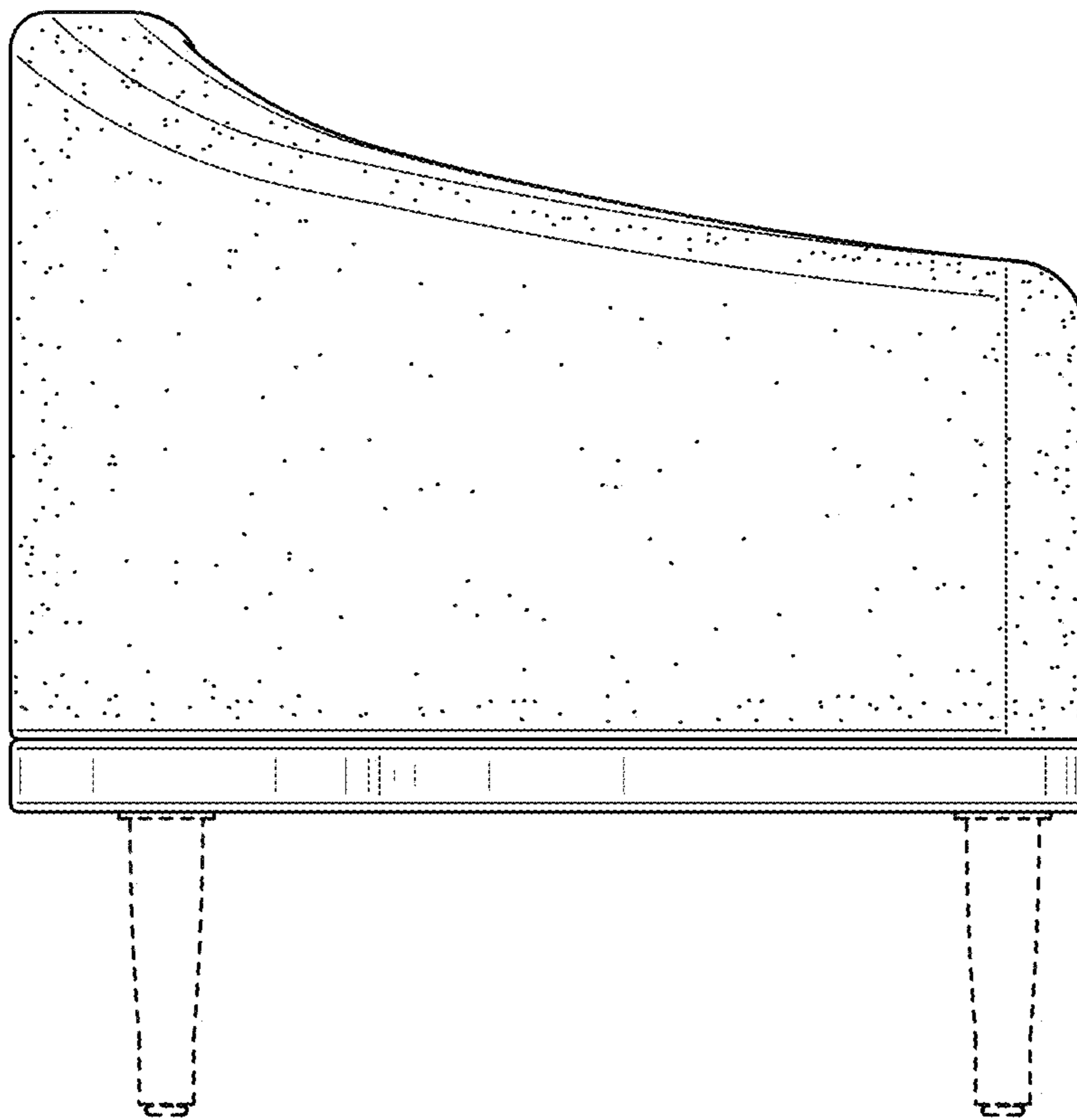


FIG. 10

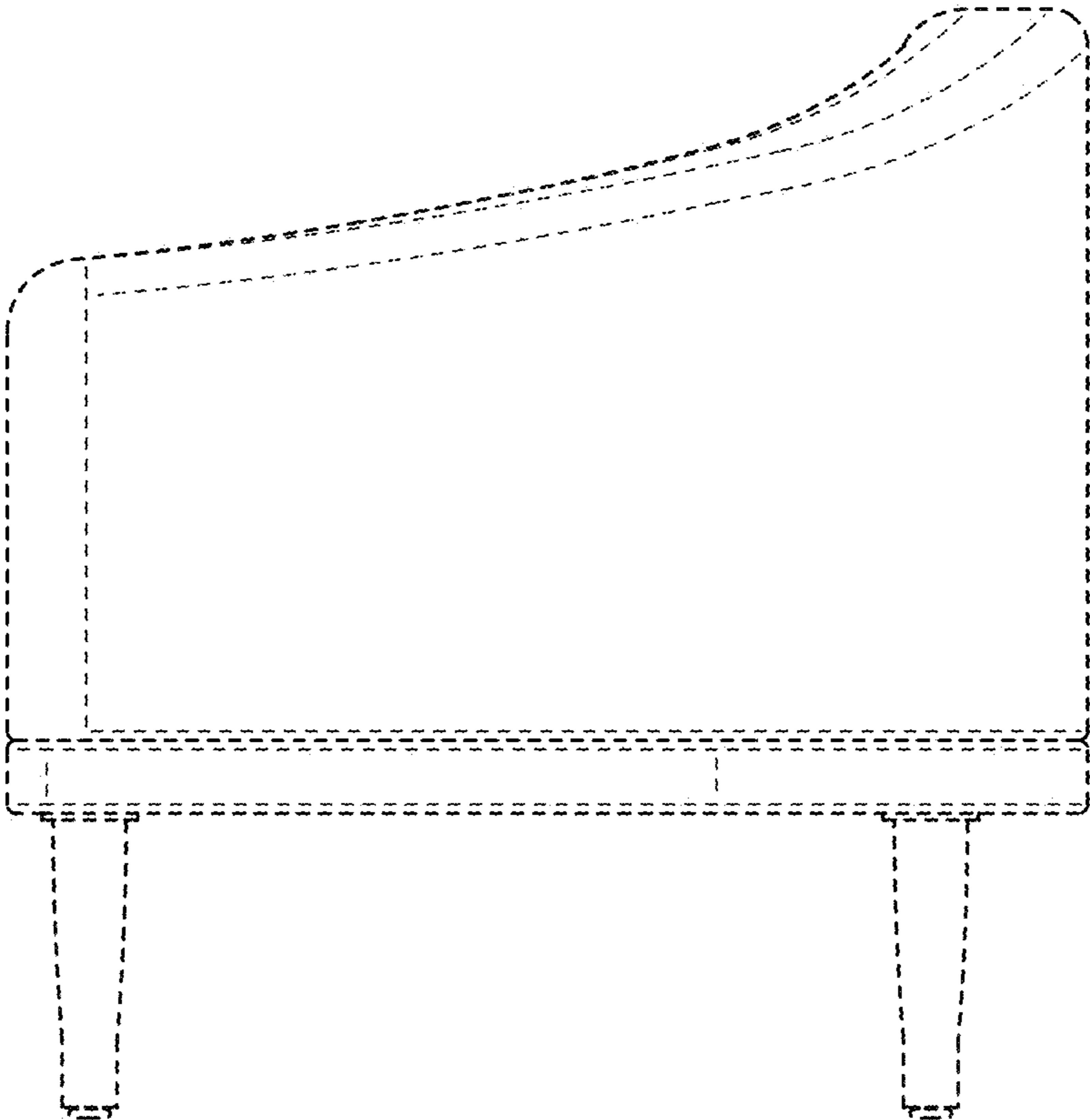


FIG. 11

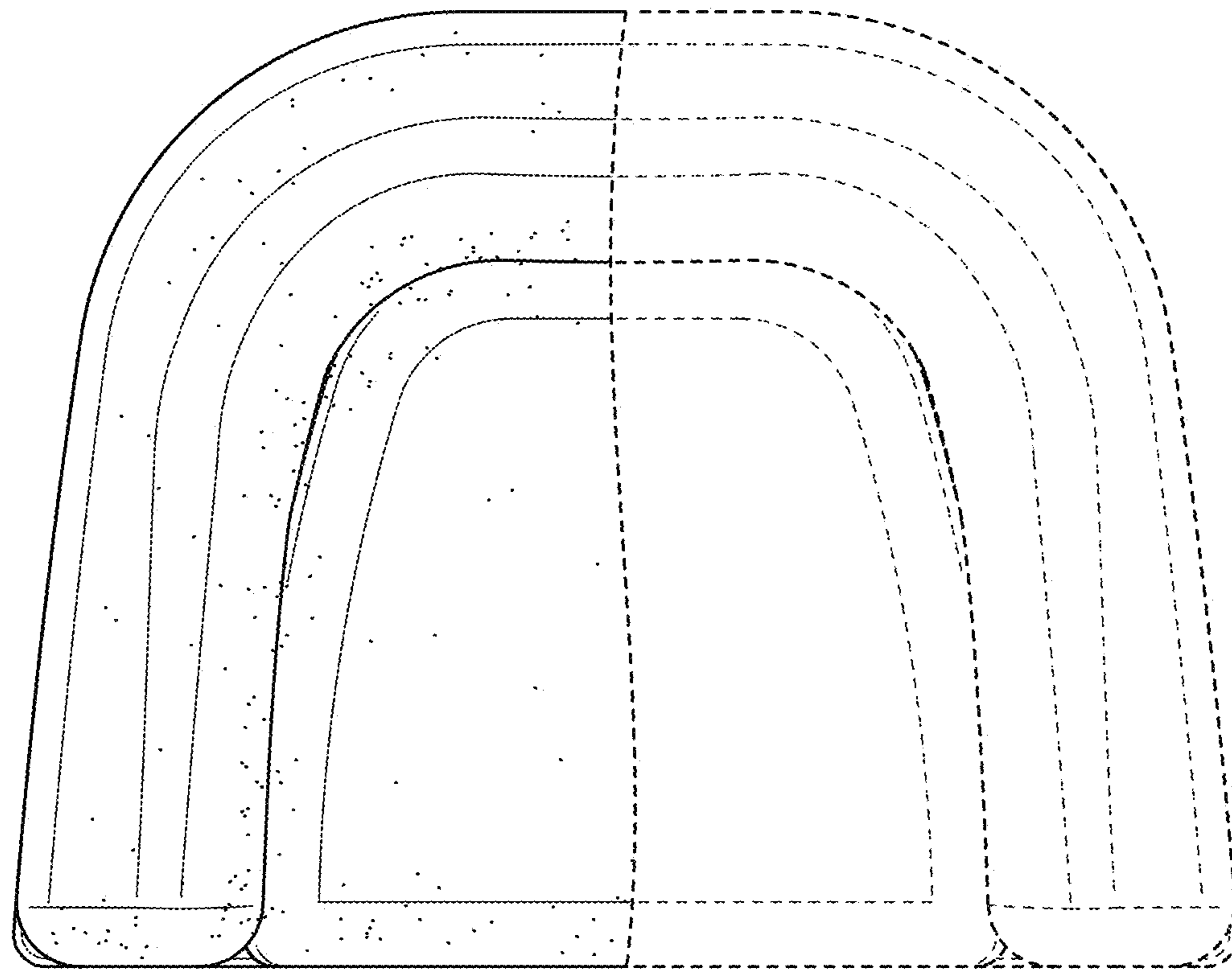


FIG. 12