



US00D963356S

(12) **United States Design Patent**
Woods

(10) **Patent No.:** **US D963,356 S**

(45) **Date of Patent:** **** Sep. 13, 2022**

(54) **CHAIR**

(71) Applicant: **Kimball International, Inc.**, Jasper, IN (US)

(72) Inventor: **Donald Woods**, Celestine, IN (US)

(73) Assignee: **Kimball International, Inc.**, Jasper, IN (US)

(**) Term: **15 Years**

(21) Appl. No.: **29/712,501**

(22) Filed: **Nov. 8, 2019**

(51) **LOC (13) Cl.** **06-01**

(52) **U.S. Cl.**
USPC **D6/334**

(58) **Field of Classification Search**
USPC D6/334, 335, 349, 355, 360, 364, 367,
D6/369, 374, 375, 377, 378, 381
CPC A47C 4/02; A47C 4/28
See application file for complete search history.

(56) **References Cited**

U.S. PATENT DOCUMENTS

D109,468 S	*	5/1938	Bach	D6/334
D165,788 S		1/1952	Risom		
D173,392 S	*	11/1954	Sherman	D6/334
D177,072 S		3/1956	Smilow		
D181,260 S	*	10/1957	Lubberts et al.	D6/369
D182,740 S		5/1958	Peabody		
D183,618 S		9/1958	Kofod-Larsen		
D193,138 S		7/1962	Ohlsson		
D193,265 S		7/1962	Ohlsson		
D193,844 S		7/1962	Ohlsson		
D193,842 S		10/1962	Ohlsson		

(Continued)

Primary Examiner — Deanna L Pratt

(74) *Attorney, Agent, or Firm* — Faegre Drinker Biddle & Reath LLP

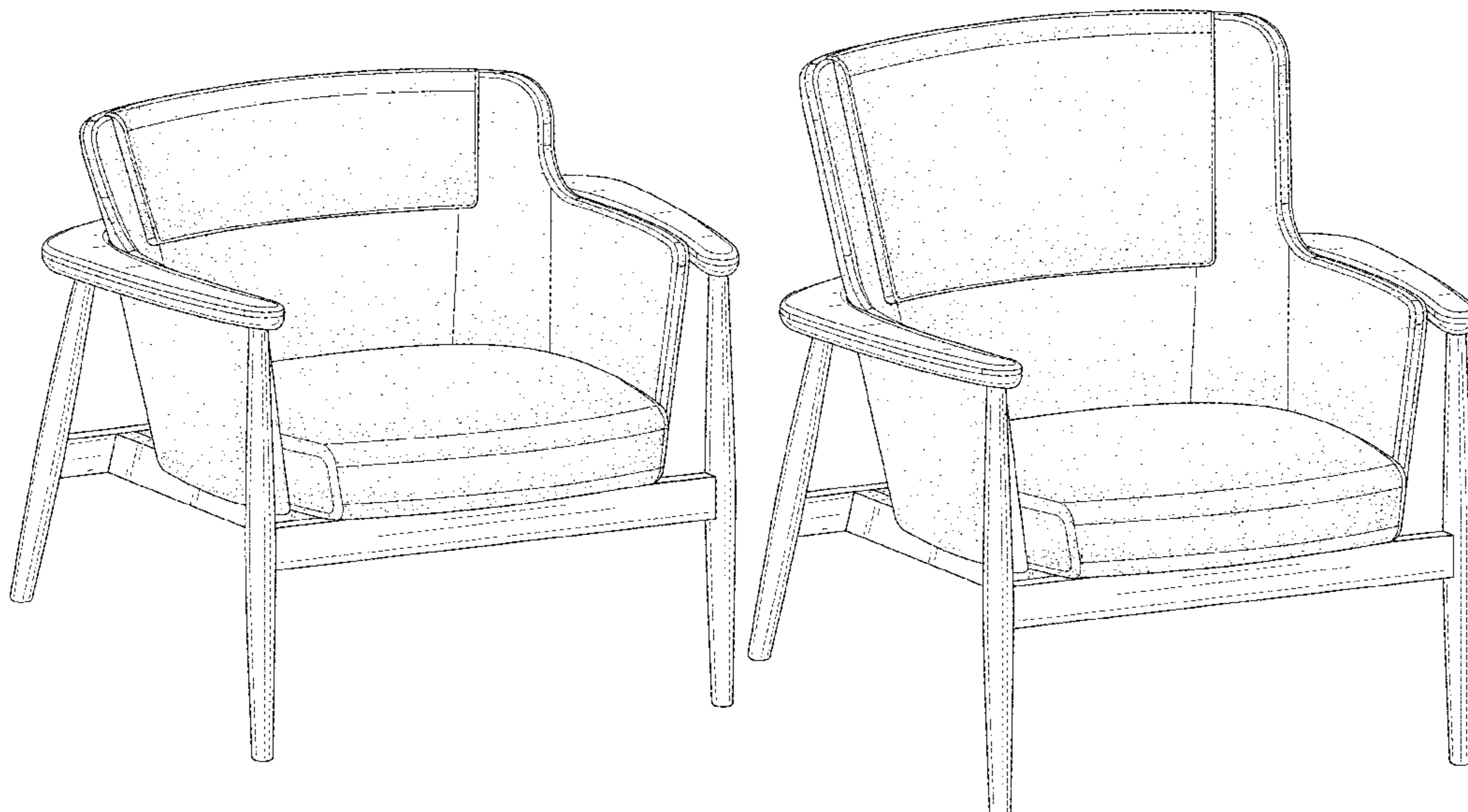
(57) **CLAIM**

The ornamental design for a chair, as shown and described.

DESCRIPTION

FIG. 1 is a front perspective view of a chair according to one embodiment;
 FIG. 2 is a front view thereof;
 FIG. 3 is a rear view thereof;
 FIG. 4 is a left side view thereof;
 FIG. 5 is a right side view thereof;
 FIG. 6 is a top view thereof; and
 FIG. 7 is a rear perspective view thereof.
 FIG. 8 is a front perspective view of a chair according to another embodiment;
 FIG. 9 is a front view thereof;
 FIG. 10 is a rear view thereof;
 FIG. 11 is a left side view thereof;
 FIG. 12 is a right side view thereof;
 FIG. 13 is a top view thereof; and
 FIG. 14 is a rear perspective view thereof.
 FIG. 15 is a front perspective view of a chair according to another embodiment;
 FIG. 16 is a front view thereof;
 FIG. 17 is a rear view thereof;
 FIG. 18 is a left side view thereof;
 FIG. 19 is a right side view thereof;
 FIG. 20 is a top view thereof; and
 FIG. 21 is a rear perspective view thereof.
 FIG. 22 is a front perspective view of a chair according to another embodiment;
 FIG. 23 is a front view thereof;
 FIG. 24 is a rear view thereof;
 FIG. 25 is a left side view thereof;
 FIG. 26 is a right side view thereof;
 FIG. 27 is a top view thereof; and
 FIG. 28 is a rear perspective view thereof.
 Features shown in broken lines form no part of the claimed design.

1 Claim, 28 Drawing Sheets



(56)

References Cited

U.S. PATENT DOCUMENTS

D193,843	S	10/1962	Ohlsson	
D237,923	S	* 12/1975	Winrow	D6/334
D251,342	S	3/1979	Glaser	
D485,996	S	* 2/2004	Stanton	D6/334
D572,935	S	7/2008	Sargent	
D648,556	S	11/2011	Frinier	
D648,557	S	11/2011	Frinier	
D676,682	S	* 2/2013	Citterio	D6/366
D686,009	S	* 7/2013	Mari	D6/379
D686,010	S	7/2013	Cramer et al.	
D709,710	S	* 7/2014	Ye	D6/375
D785,954	S	* 5/2017	Linder	D6/334
D792,121	S	7/2017	Pedersen	
D801,070	S	10/2017	Naoto	
D805,316	S	12/2017	Lowsky	
D819,354	S	6/2018	Harman	
D821,111	S	6/2018	Scallions	
D836,361	S	12/2018	Starck	
D837,554	S	1/2019	Harman	
D841,353	S	3/2019	Bernardi	
D843,743	S	3/2019	Muller	
D862,917	S	* 10/2019	Woudstra	D6/360
D939,236	S	* 12/2021	Bentzen	D6/379
D946,917	S	* 3/2022	Esteve Cambra	D6/369
D946,918	S	* 3/2022	Esteve Cambra	D6/369
D946,919	S	* 3/2022	Esteve Cambra	D6/369

* cited by examiner

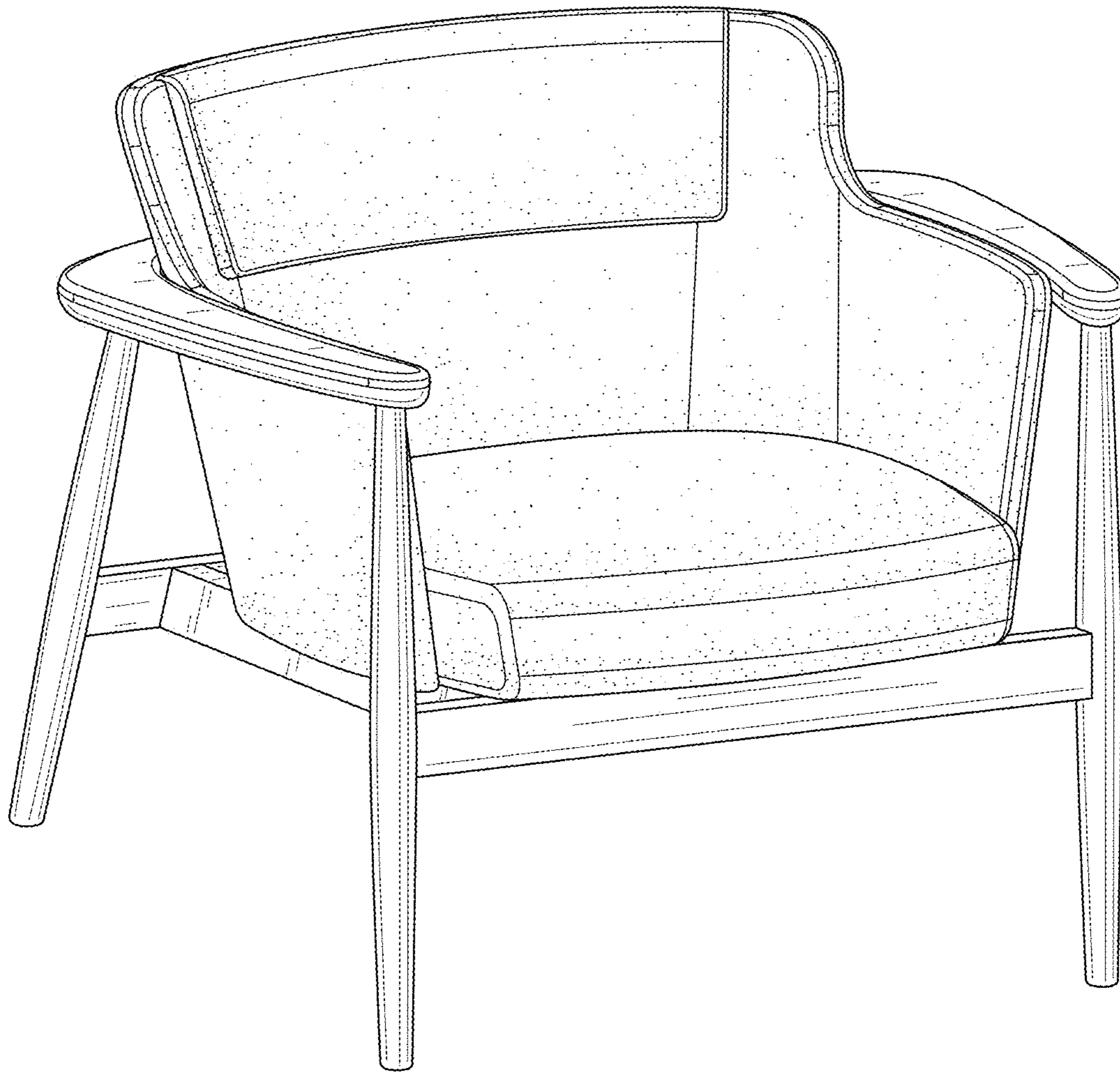


FIG. 1

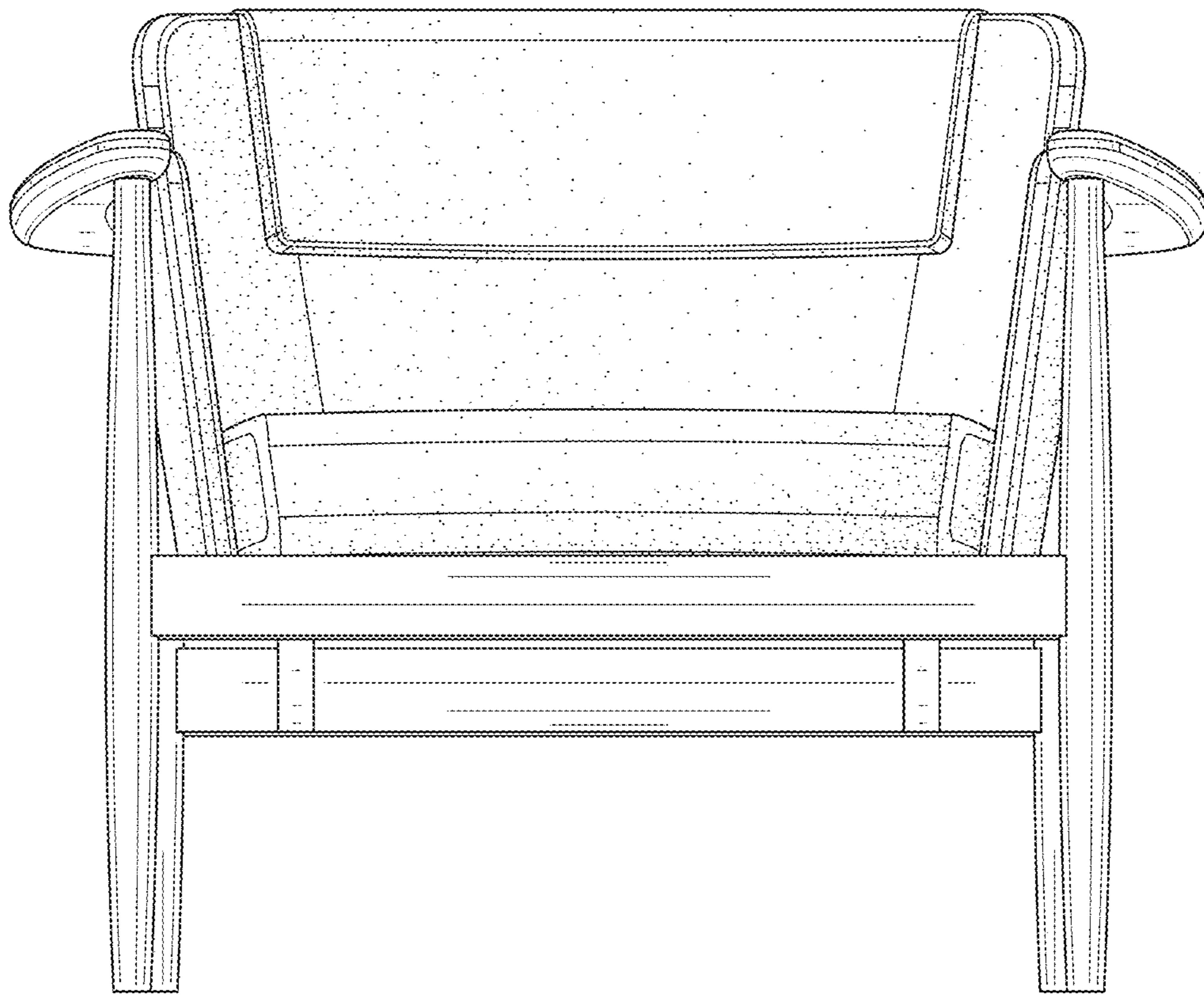


FIG. 2

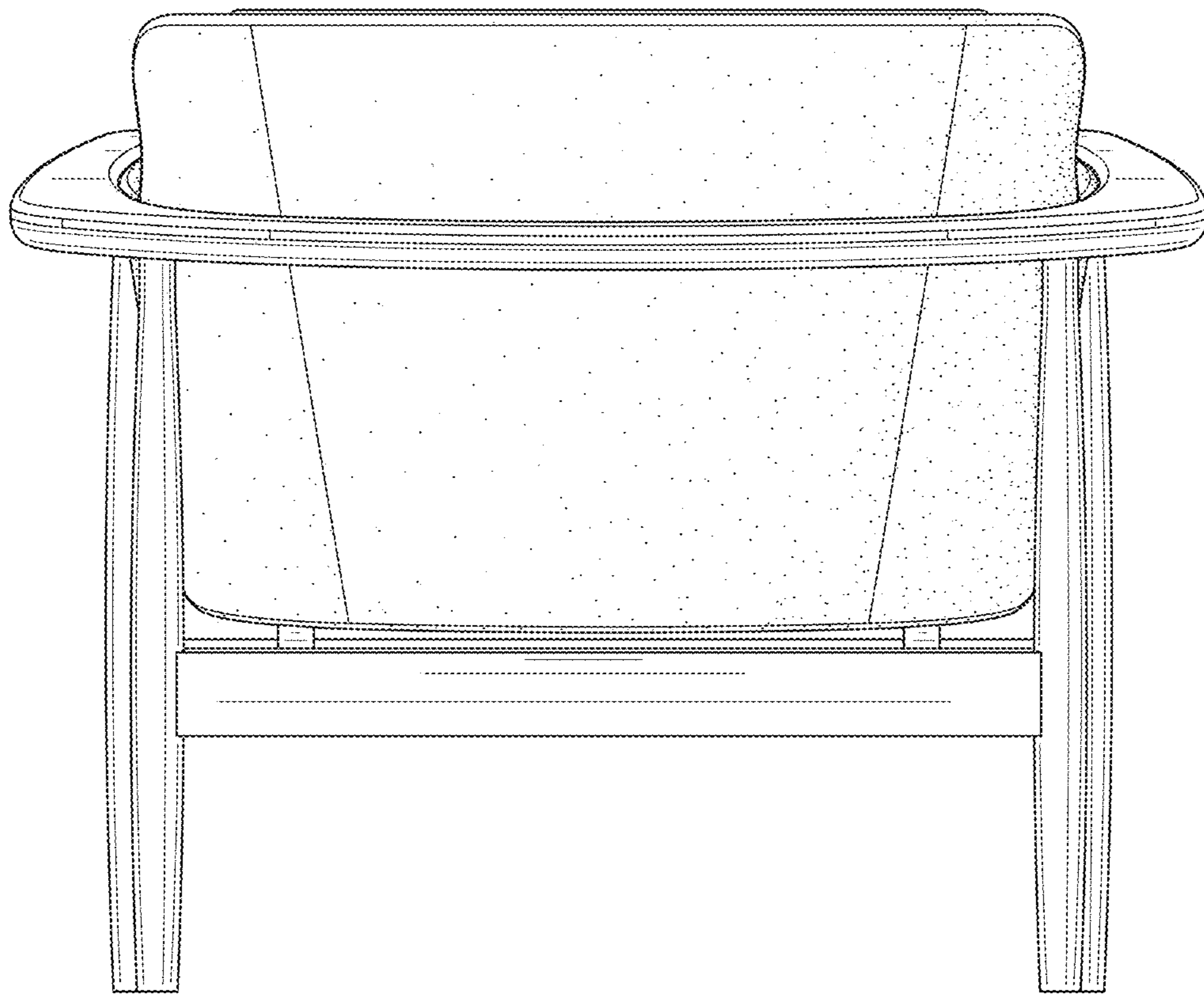


FIG. 3

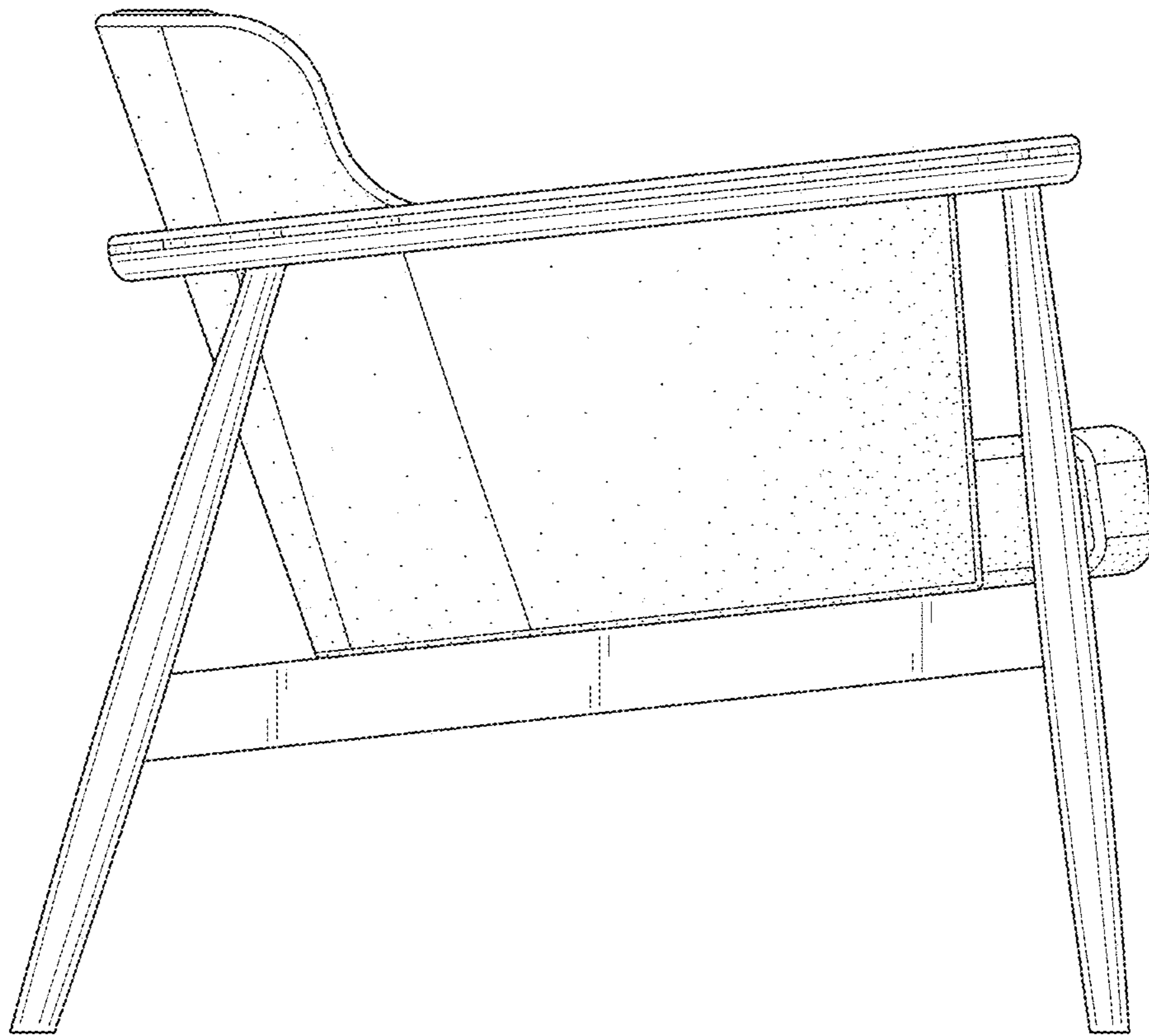


FIG. 4

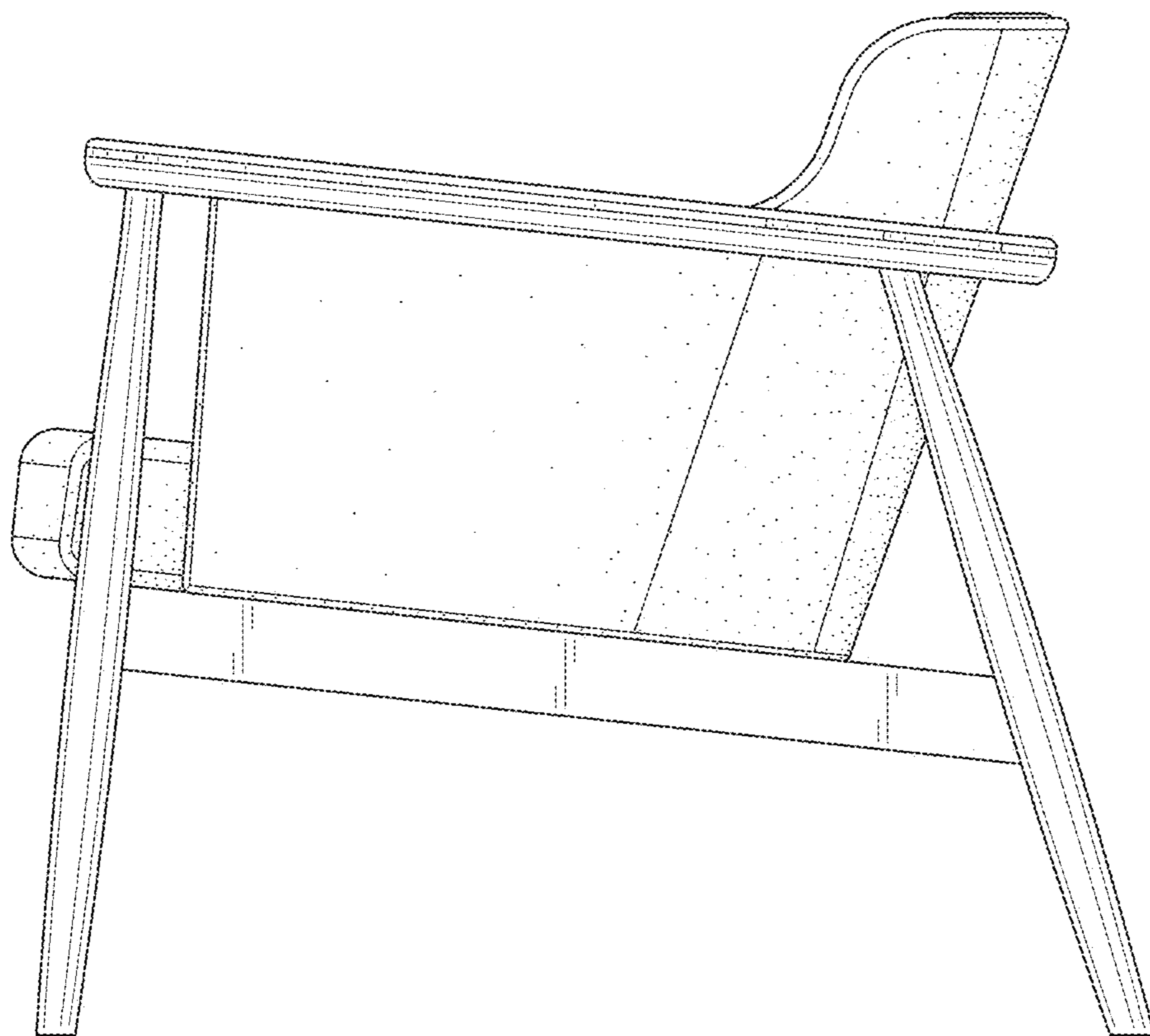


FIG. 5

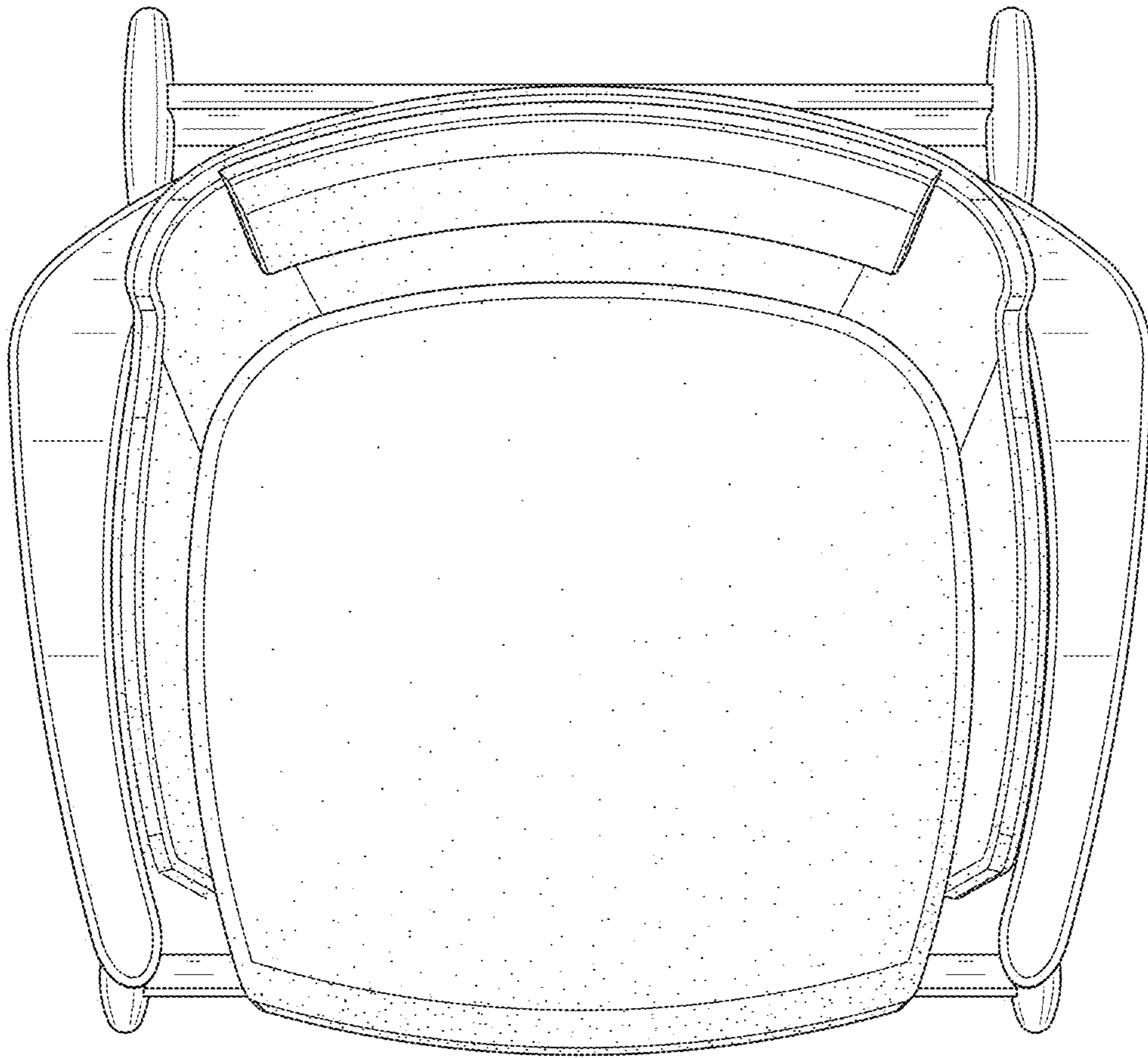


FIG. 6

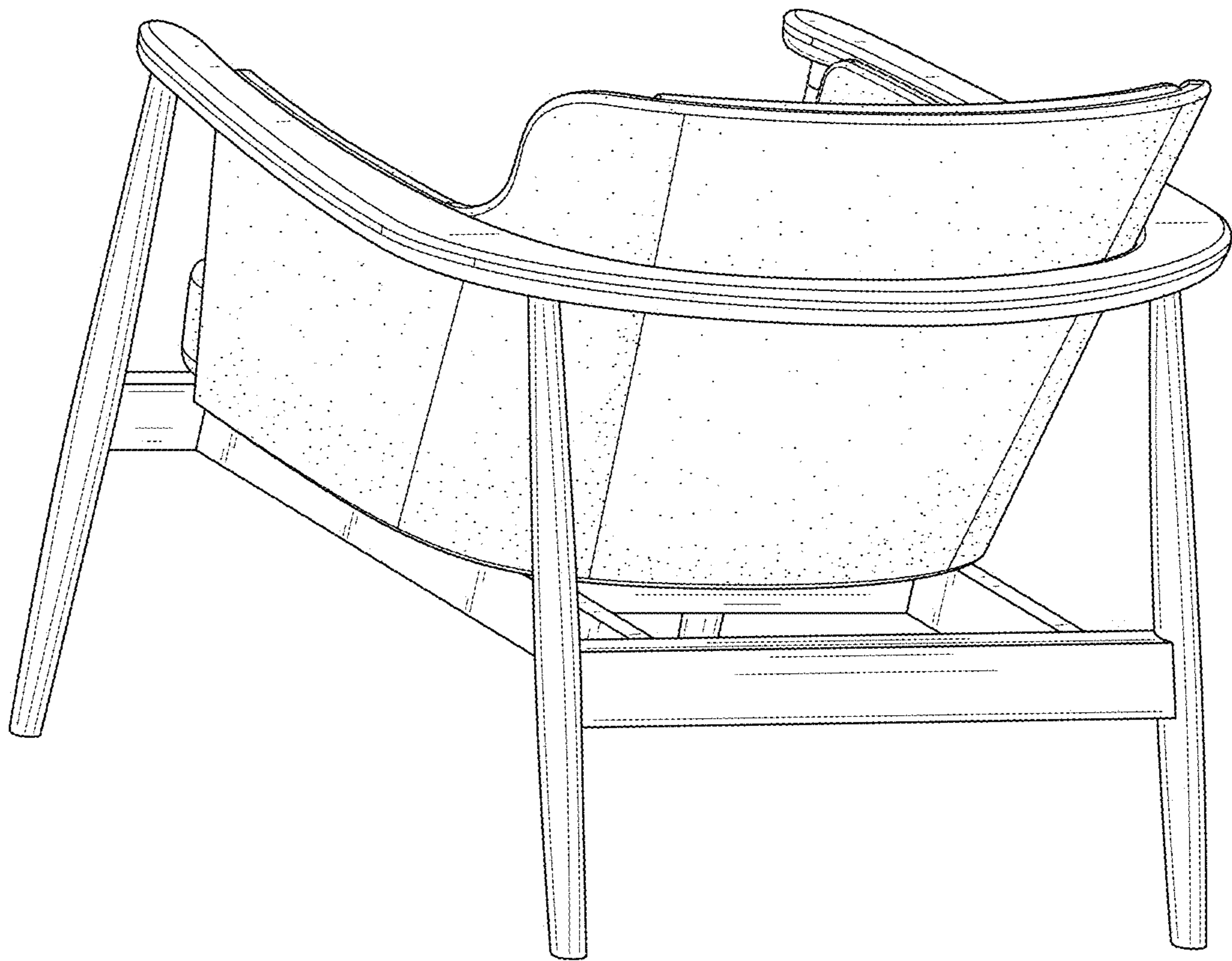


FIG. 7

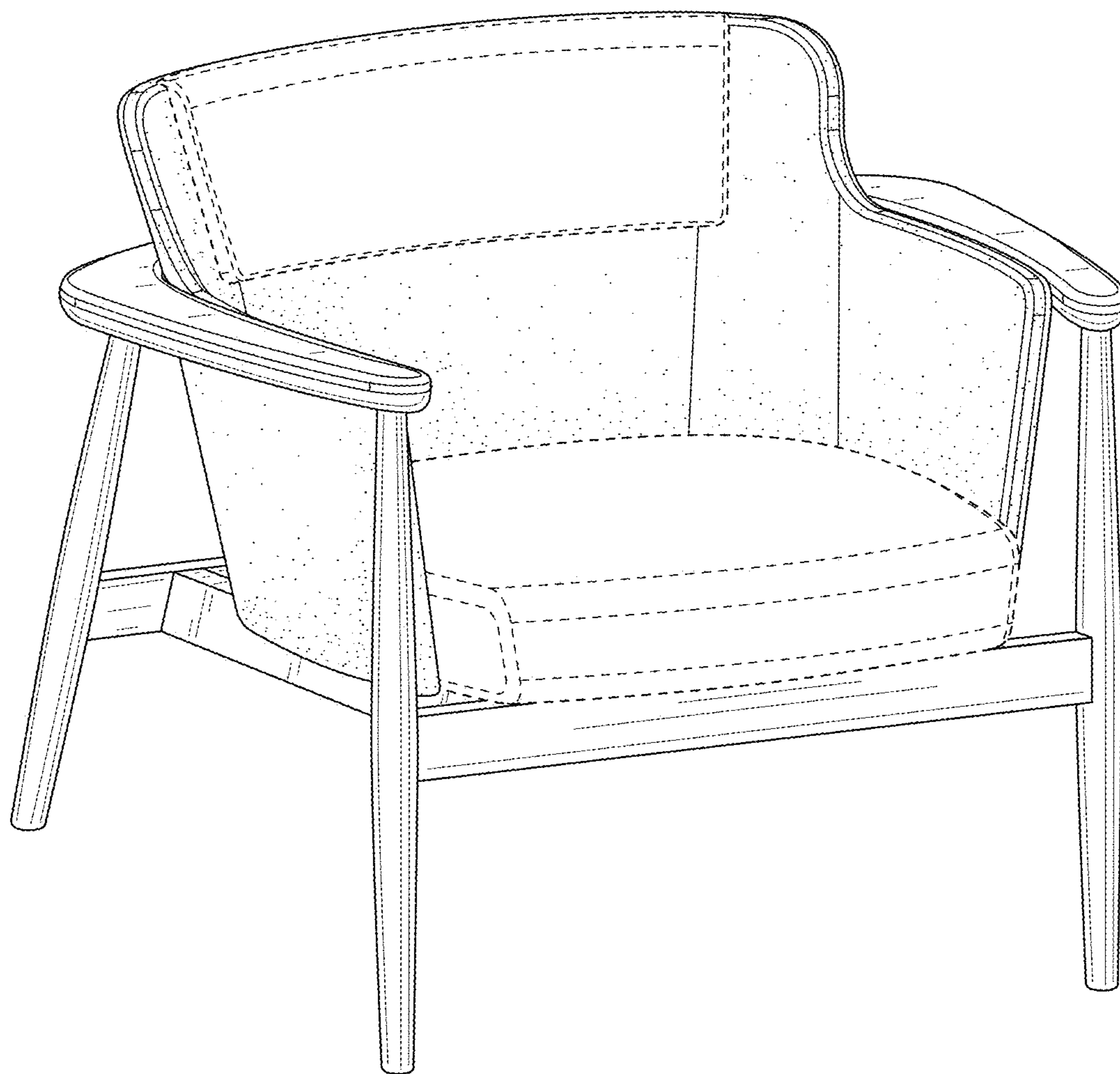


FIG. 8

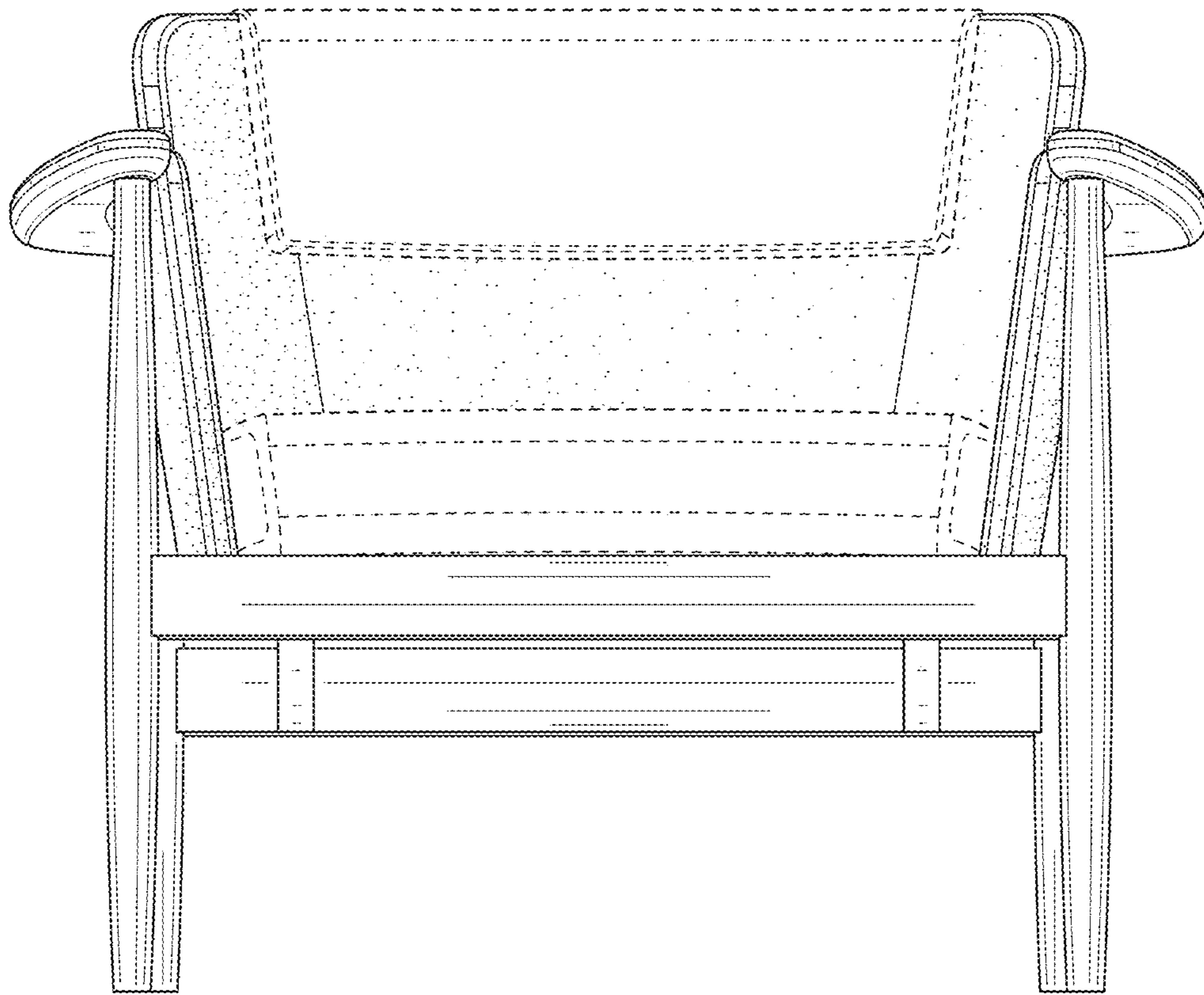


FIG. 9

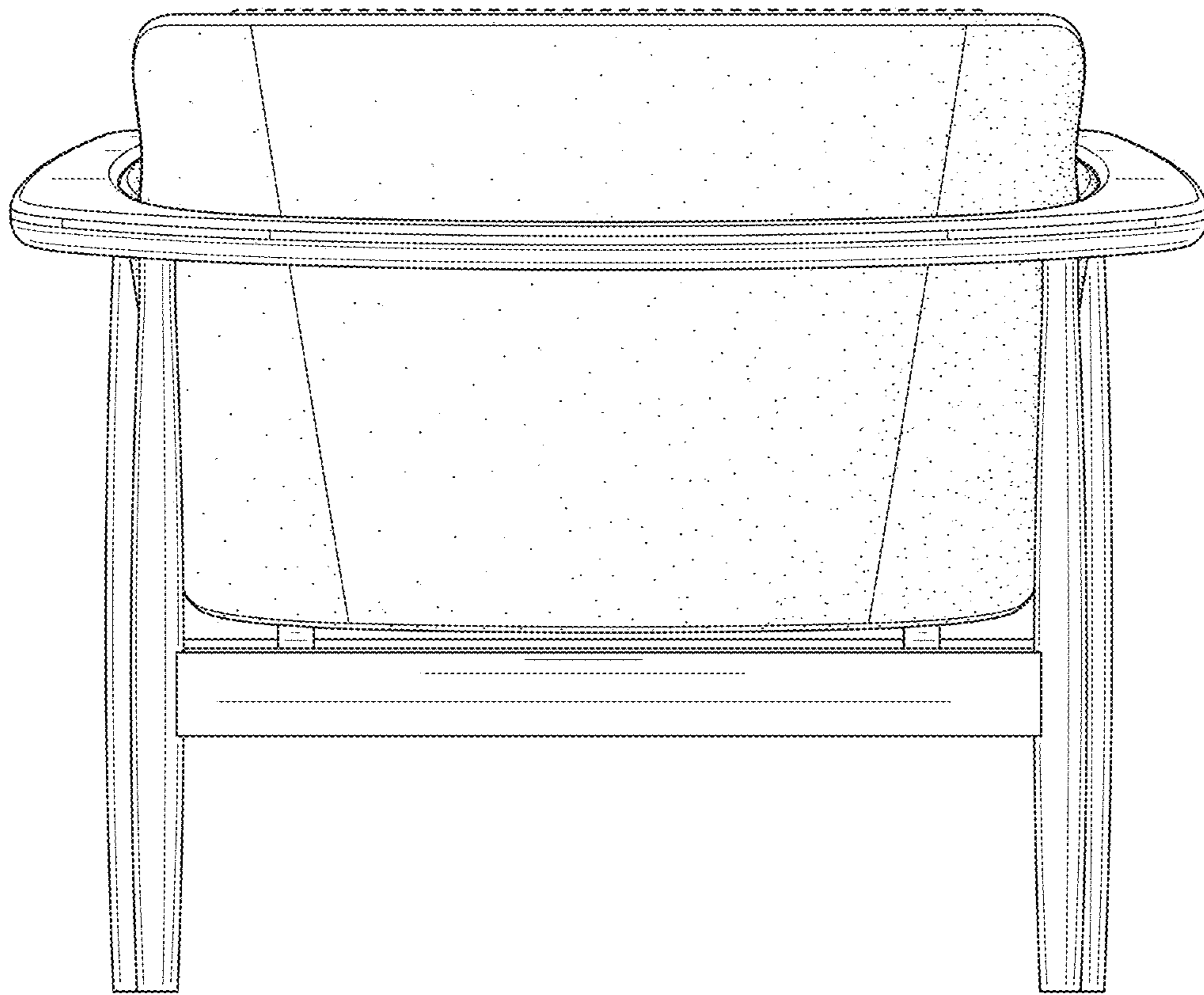


FIG. 10

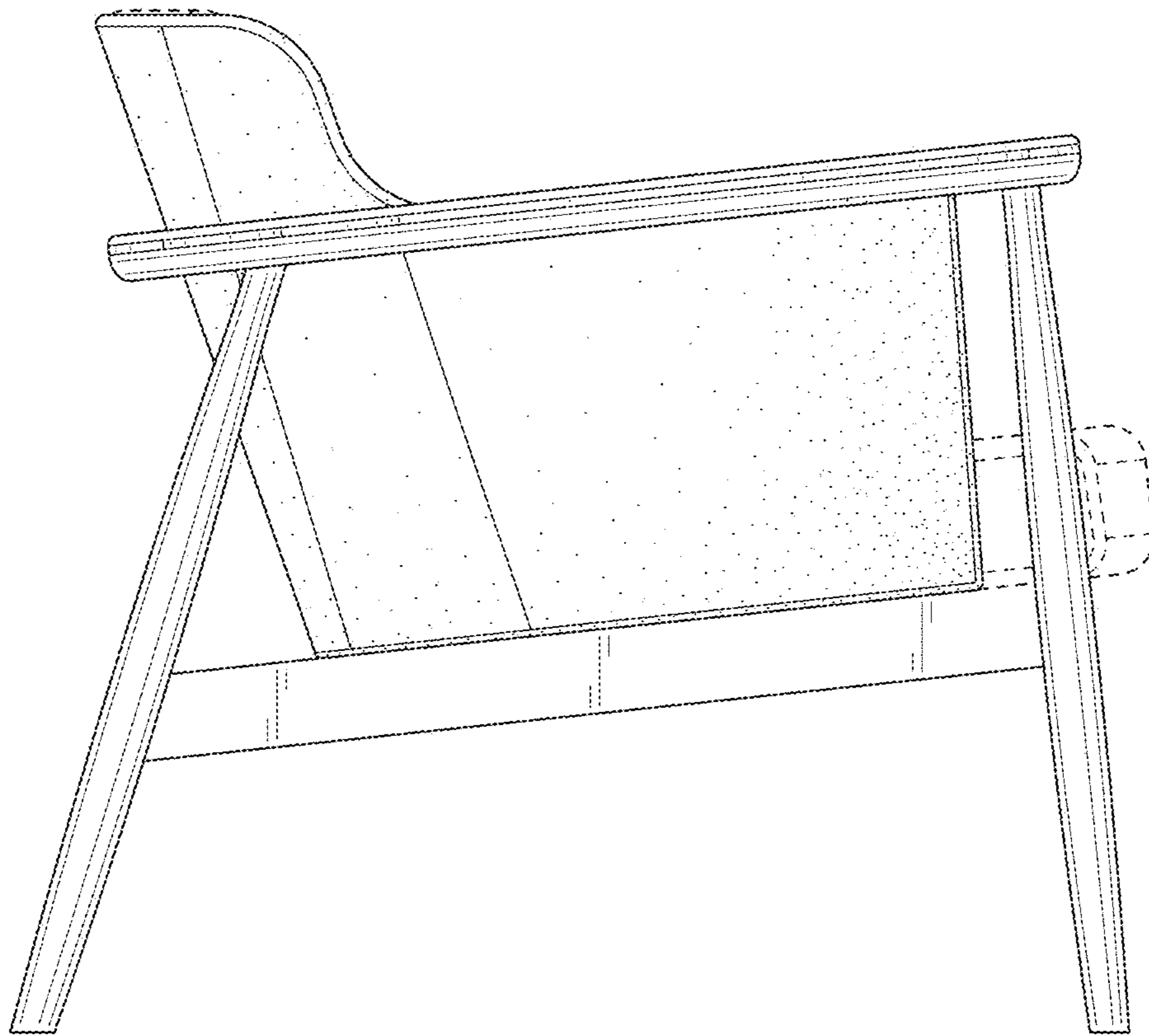


FIG. 11

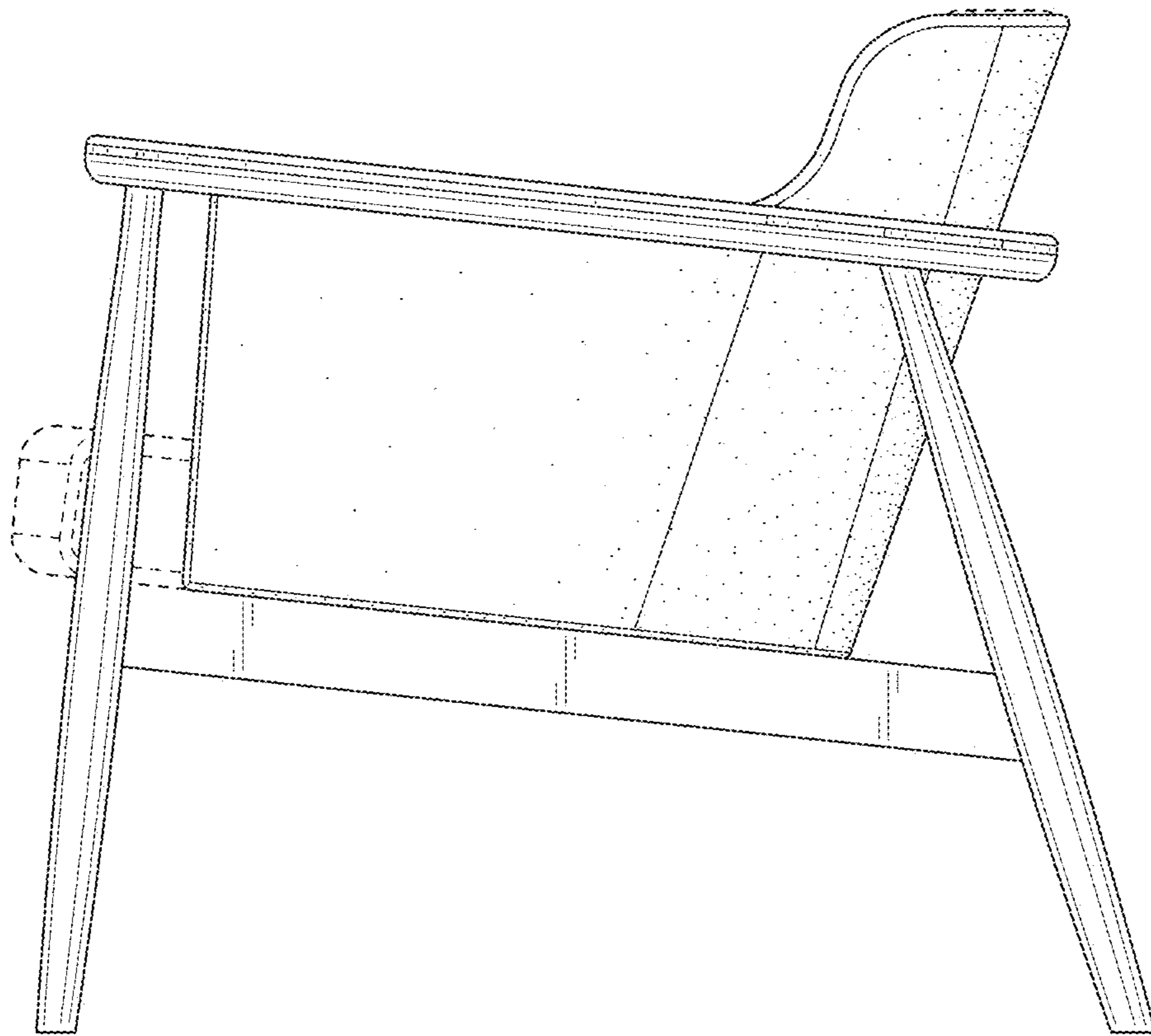


FIG. 12

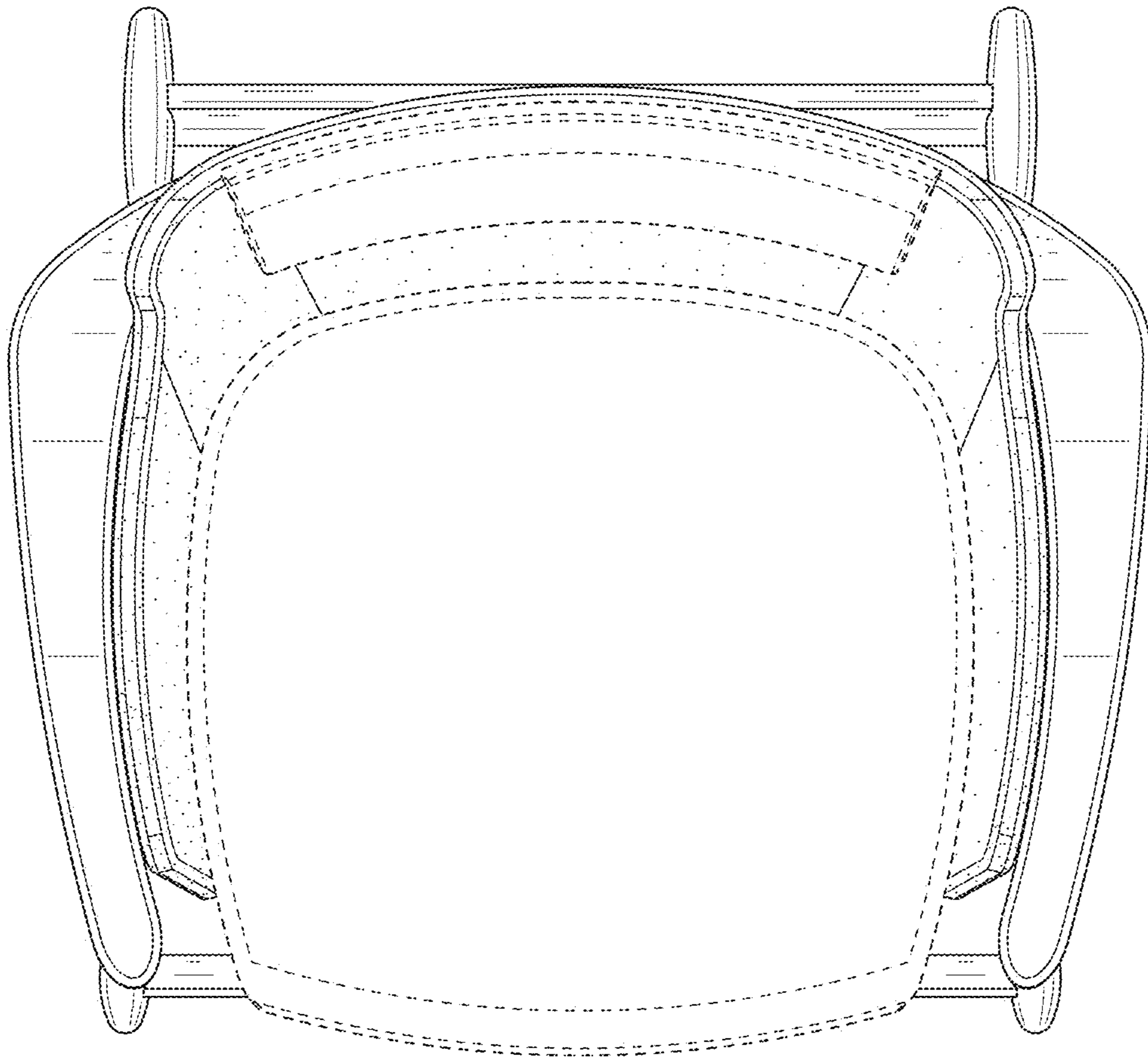


FIG. 13

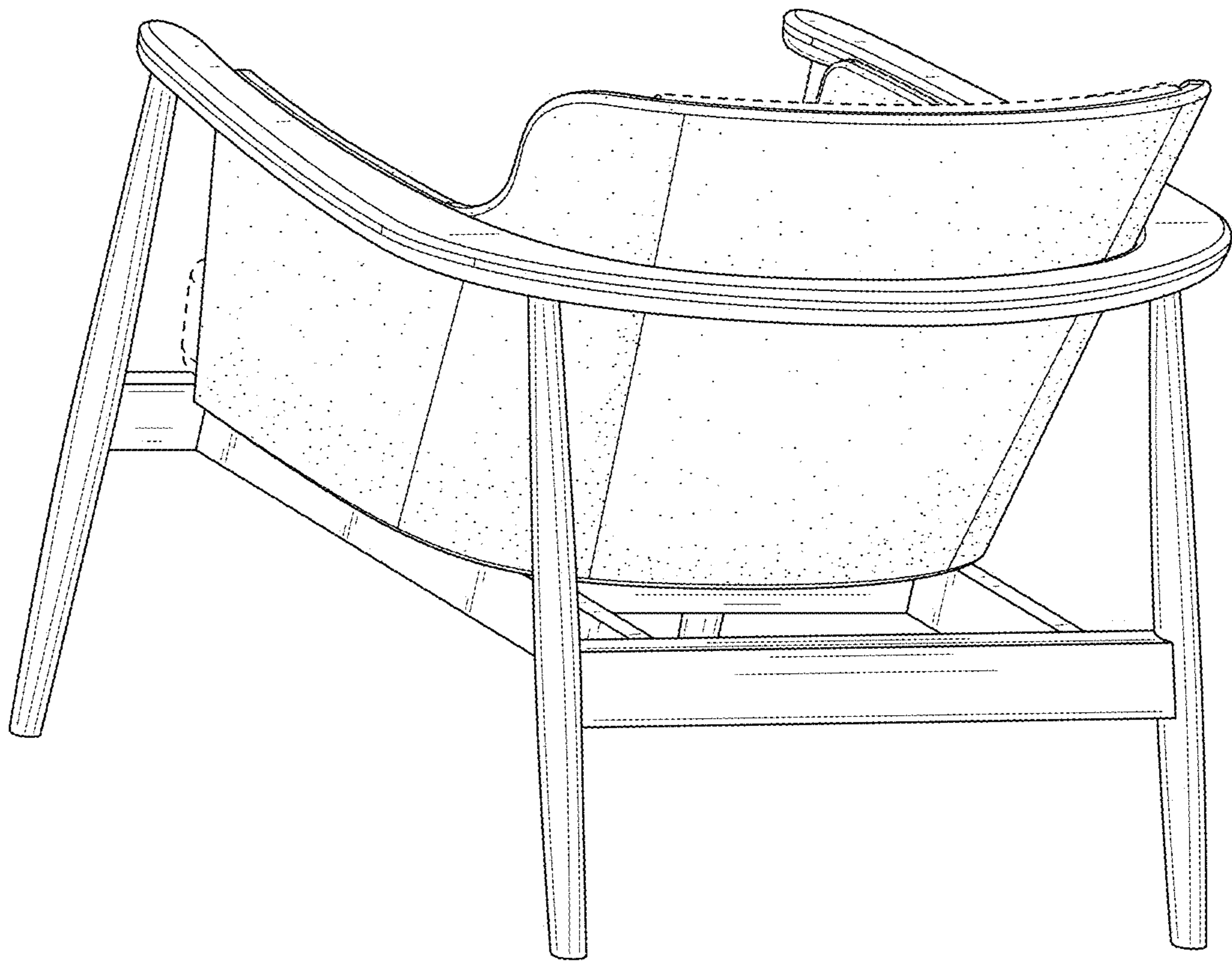


FIG. 14

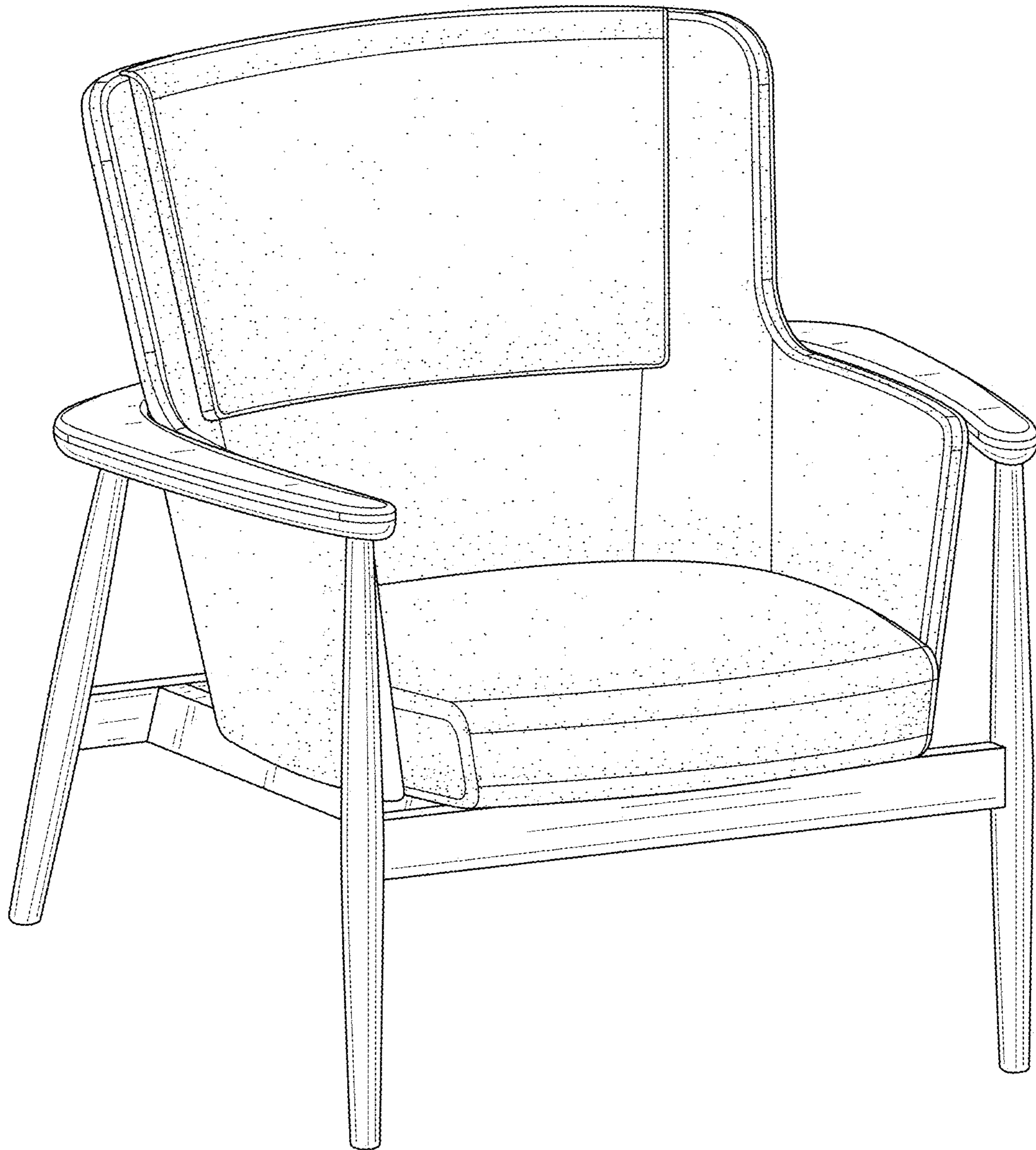


FIG. 15

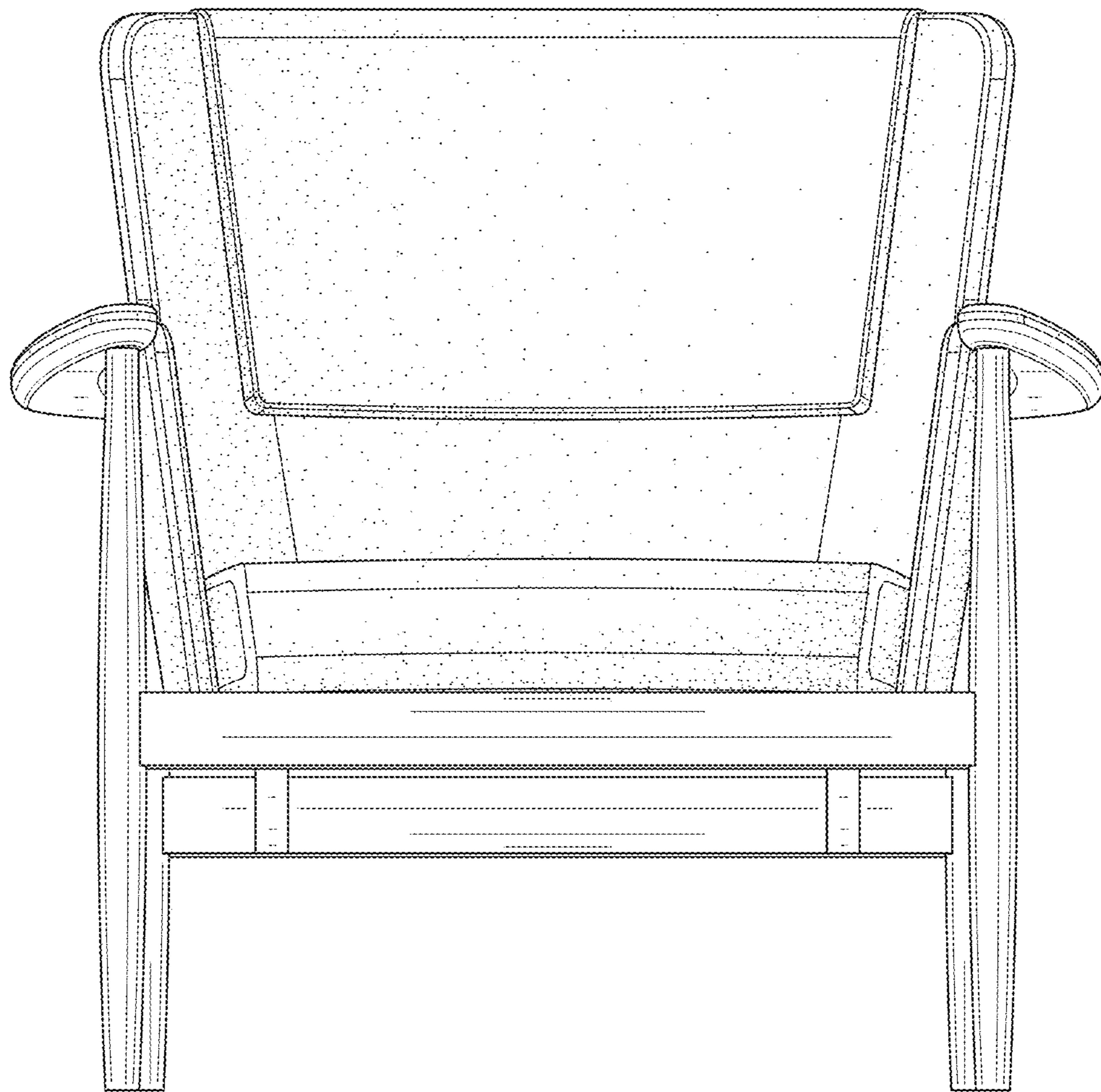


FIG. 16

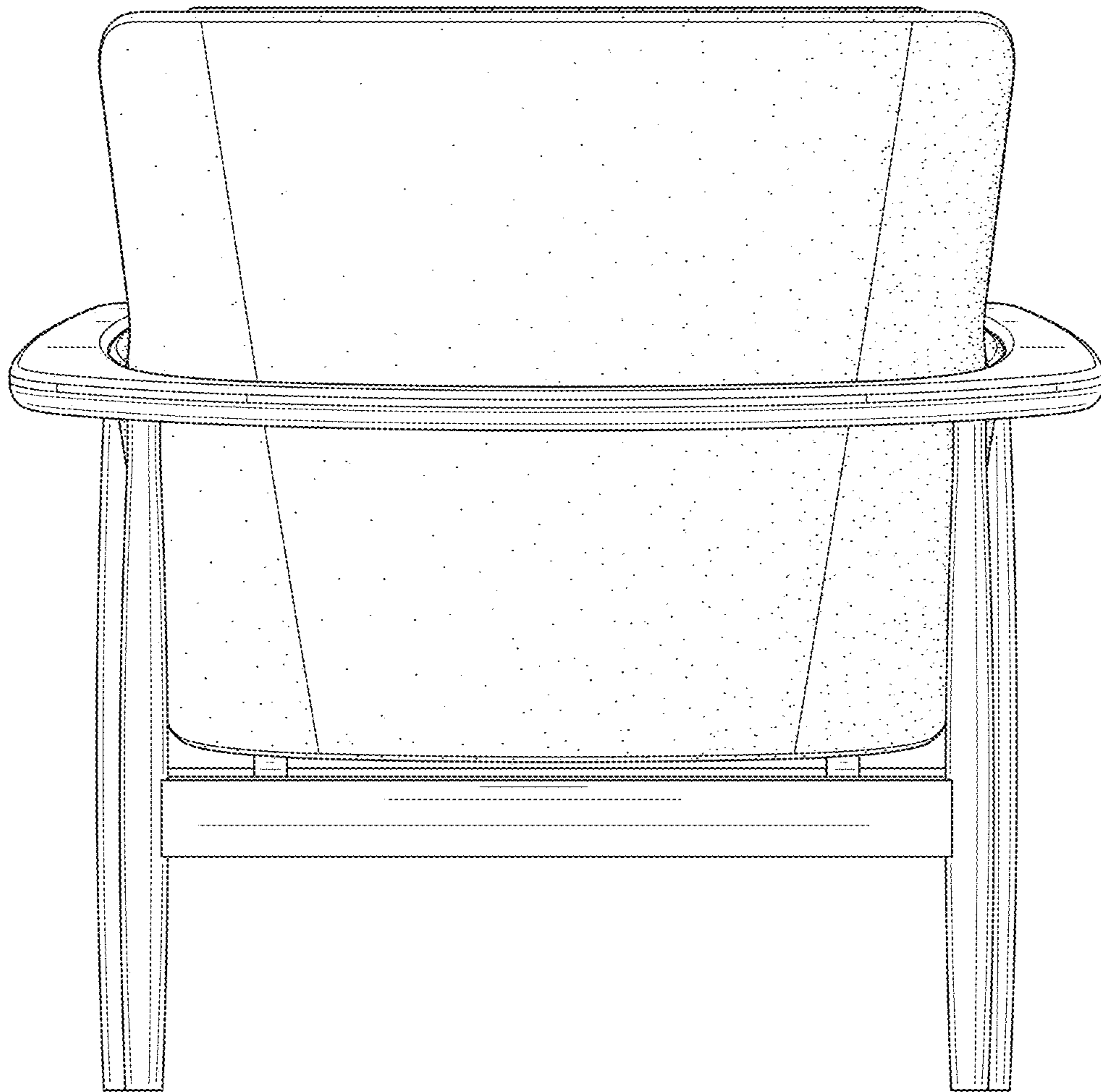


FIG. 17

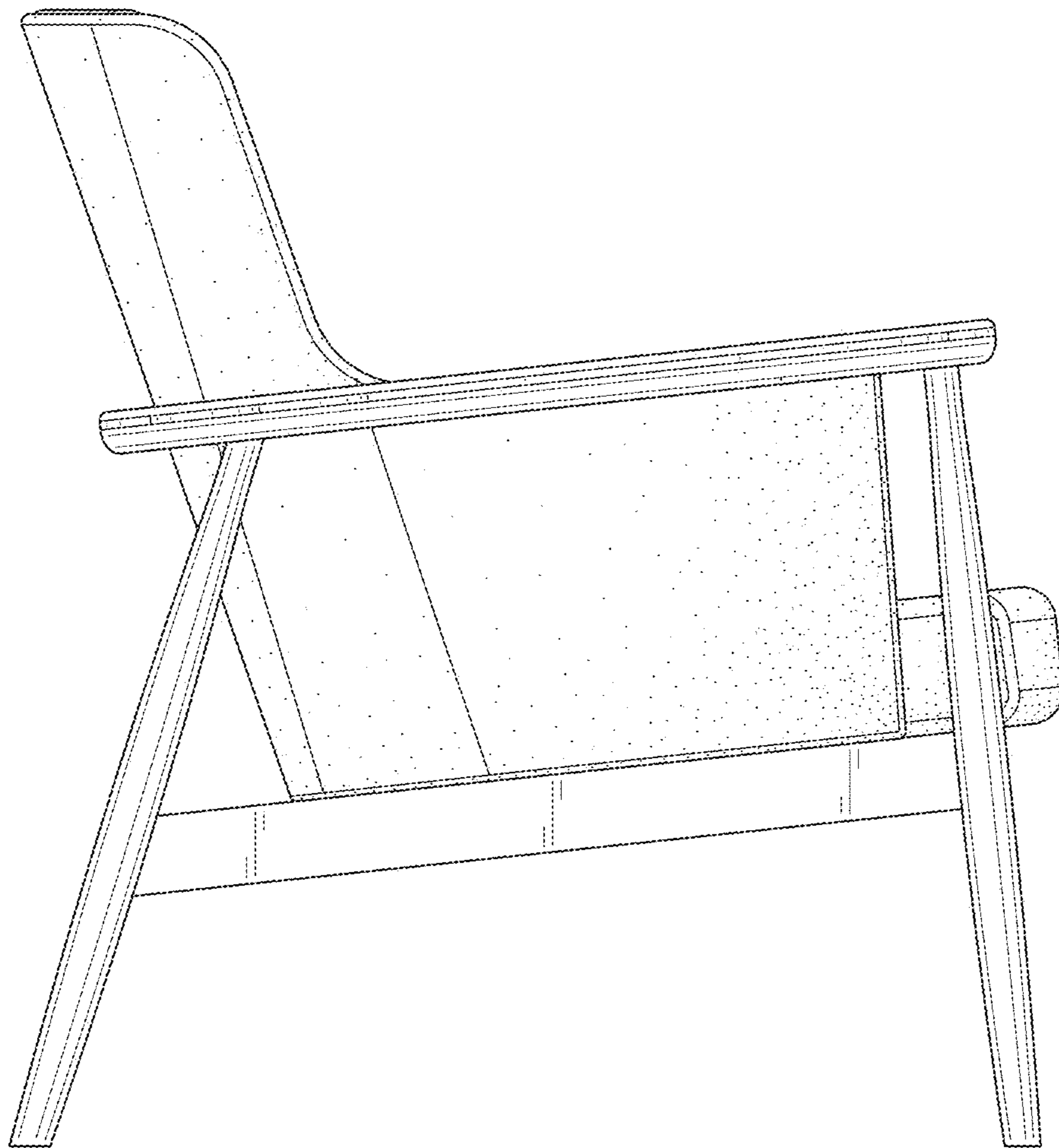


FIG. 18

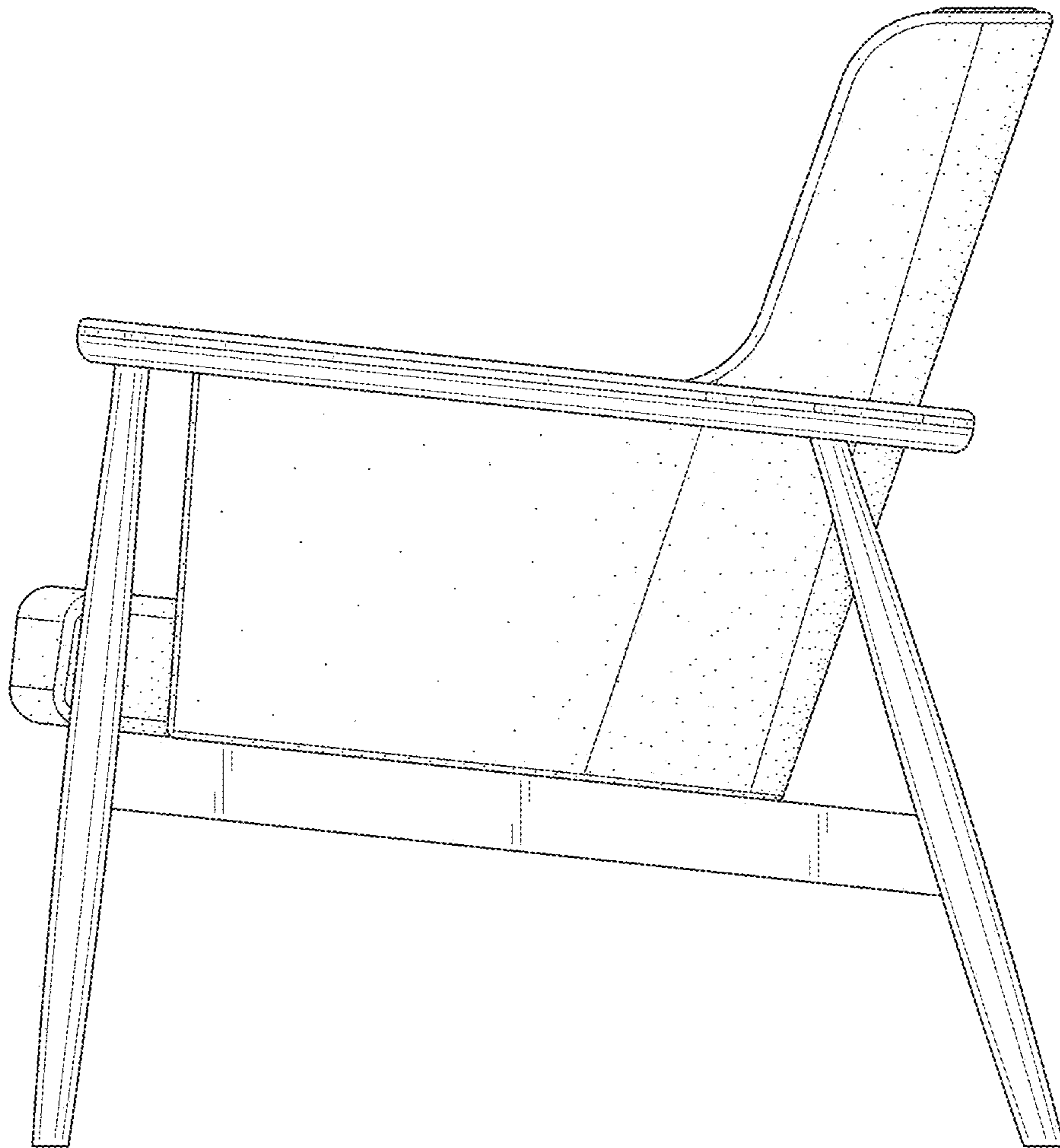


FIG. 19

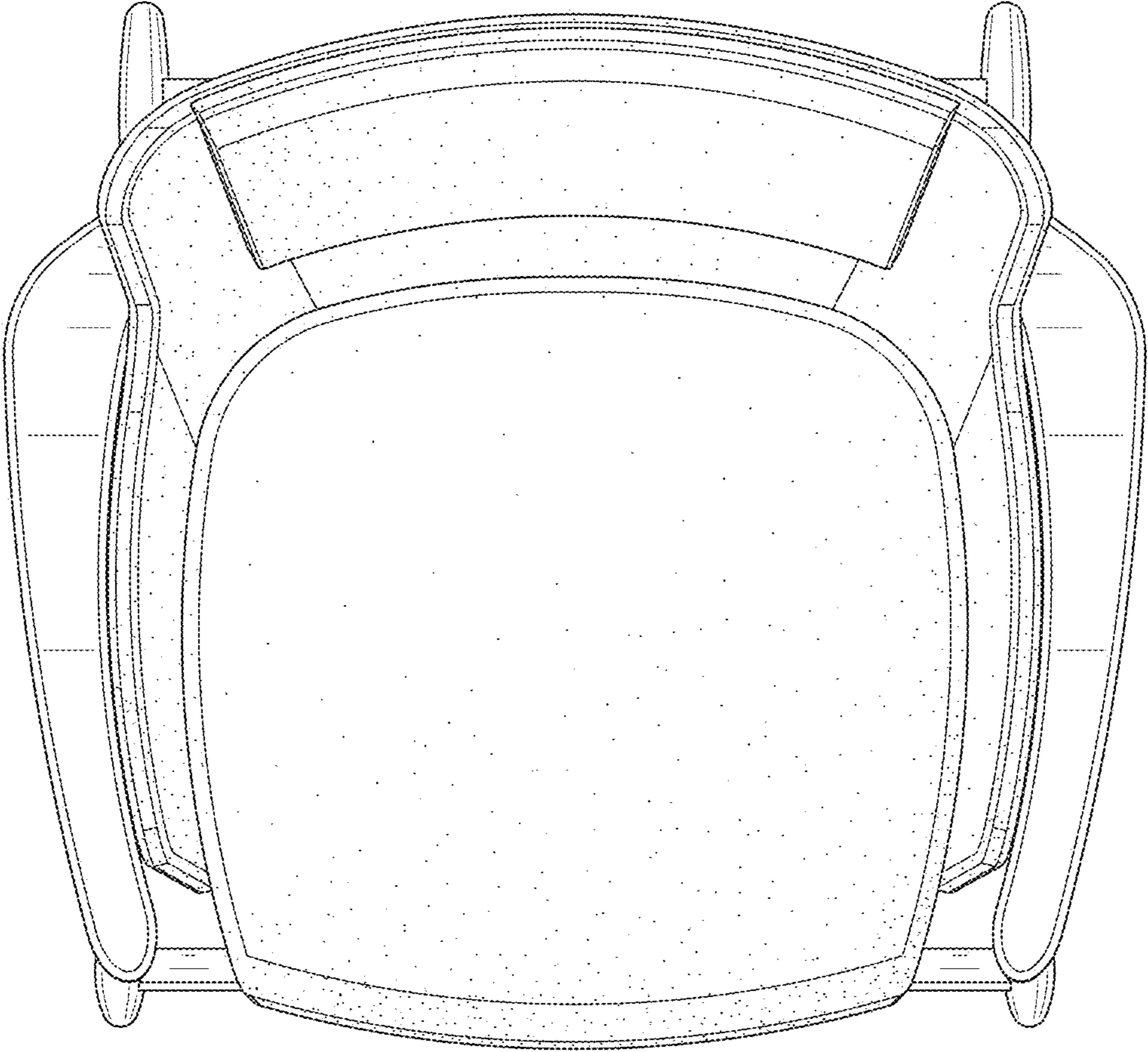


FIG. 20

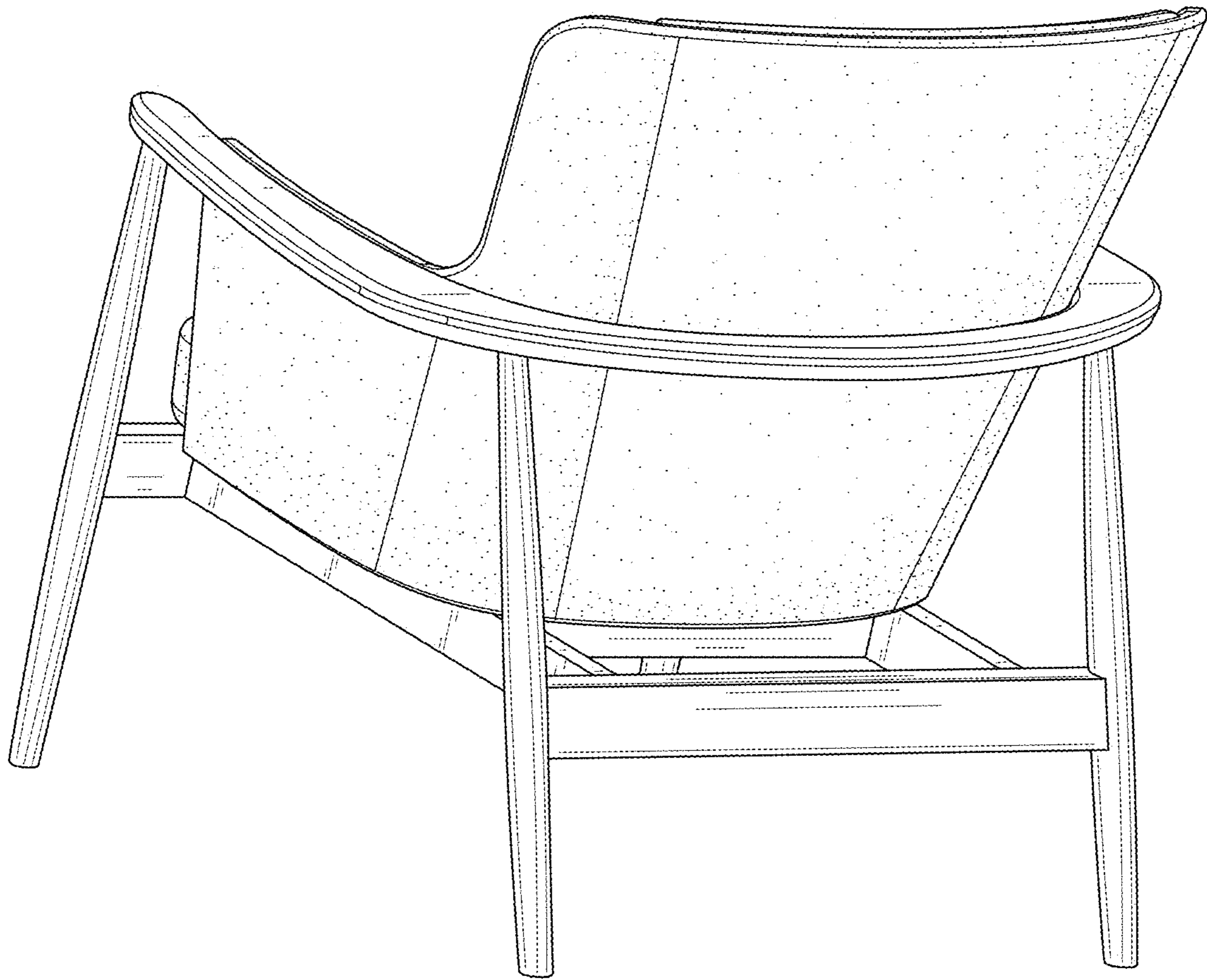


FIG. 21

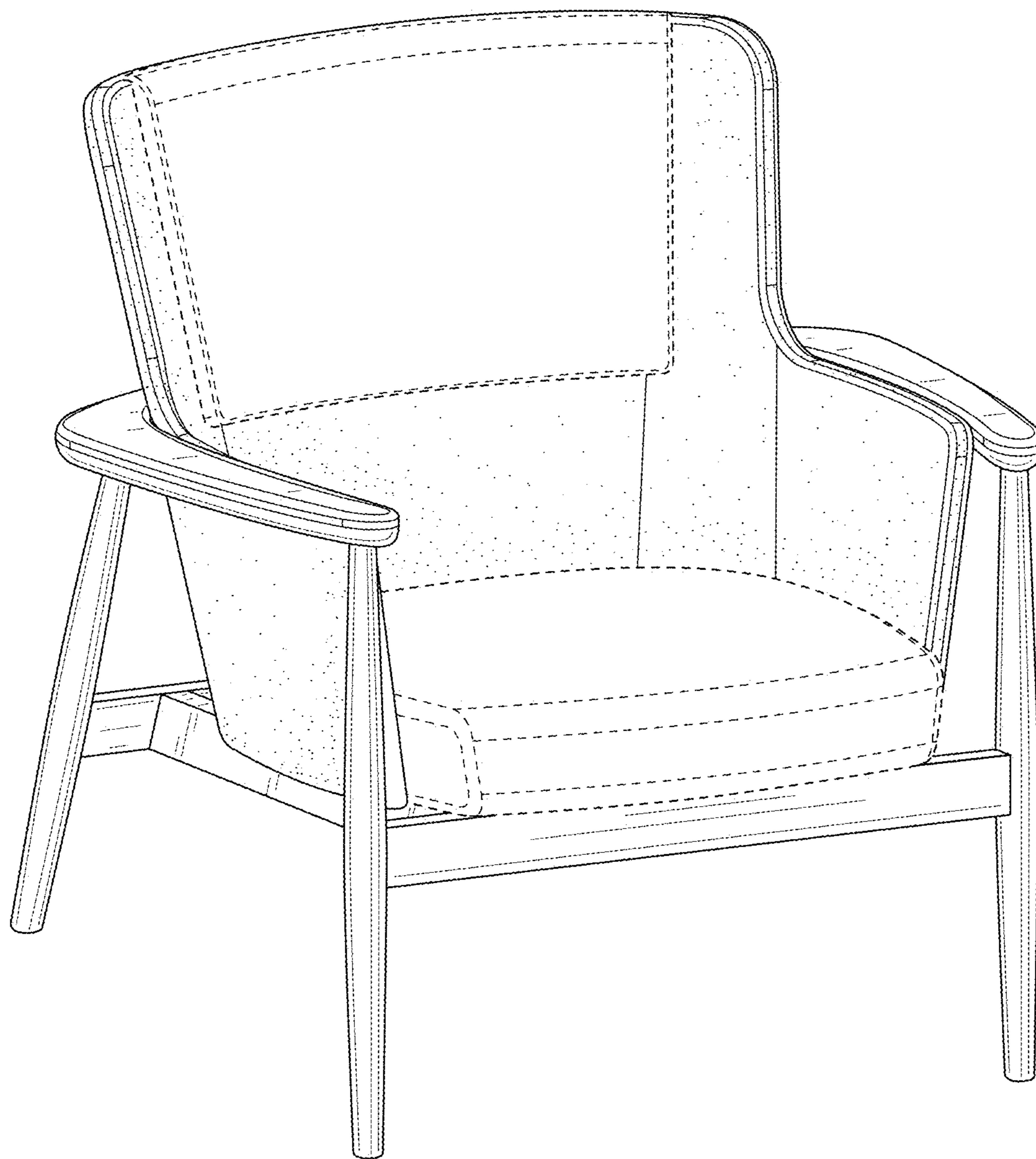


FIG. 22

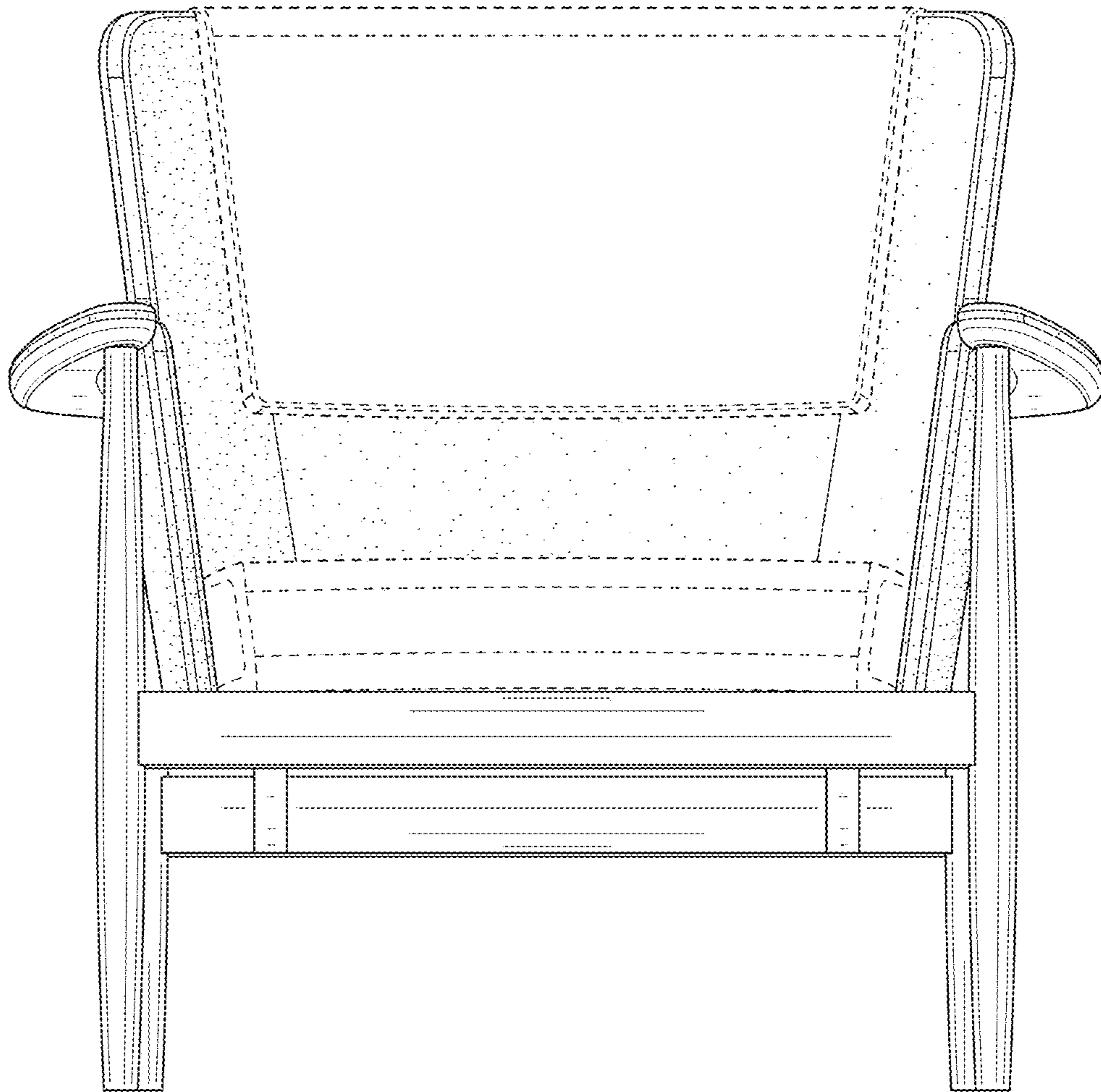


FIG. 23

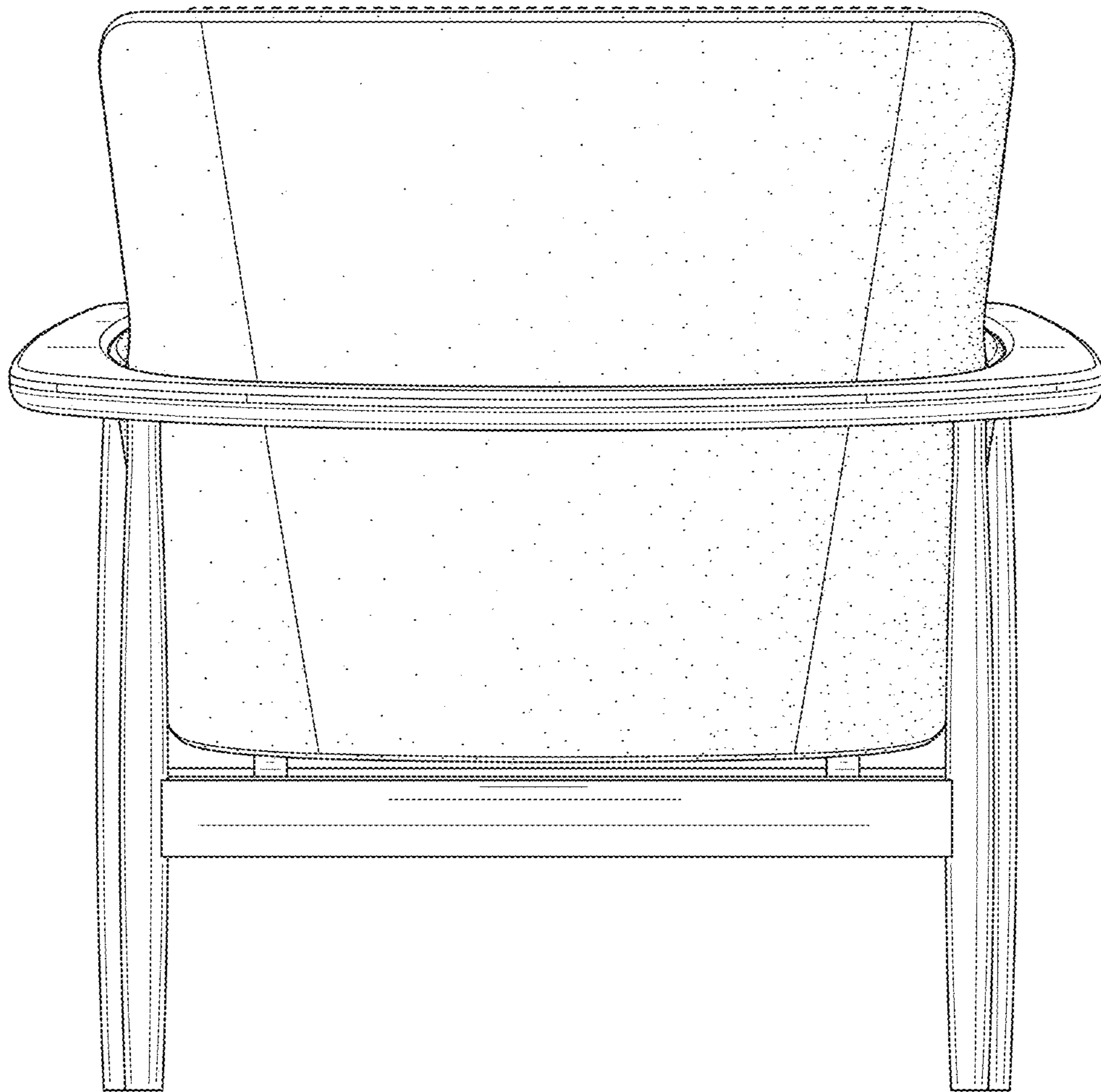


FIG. 24

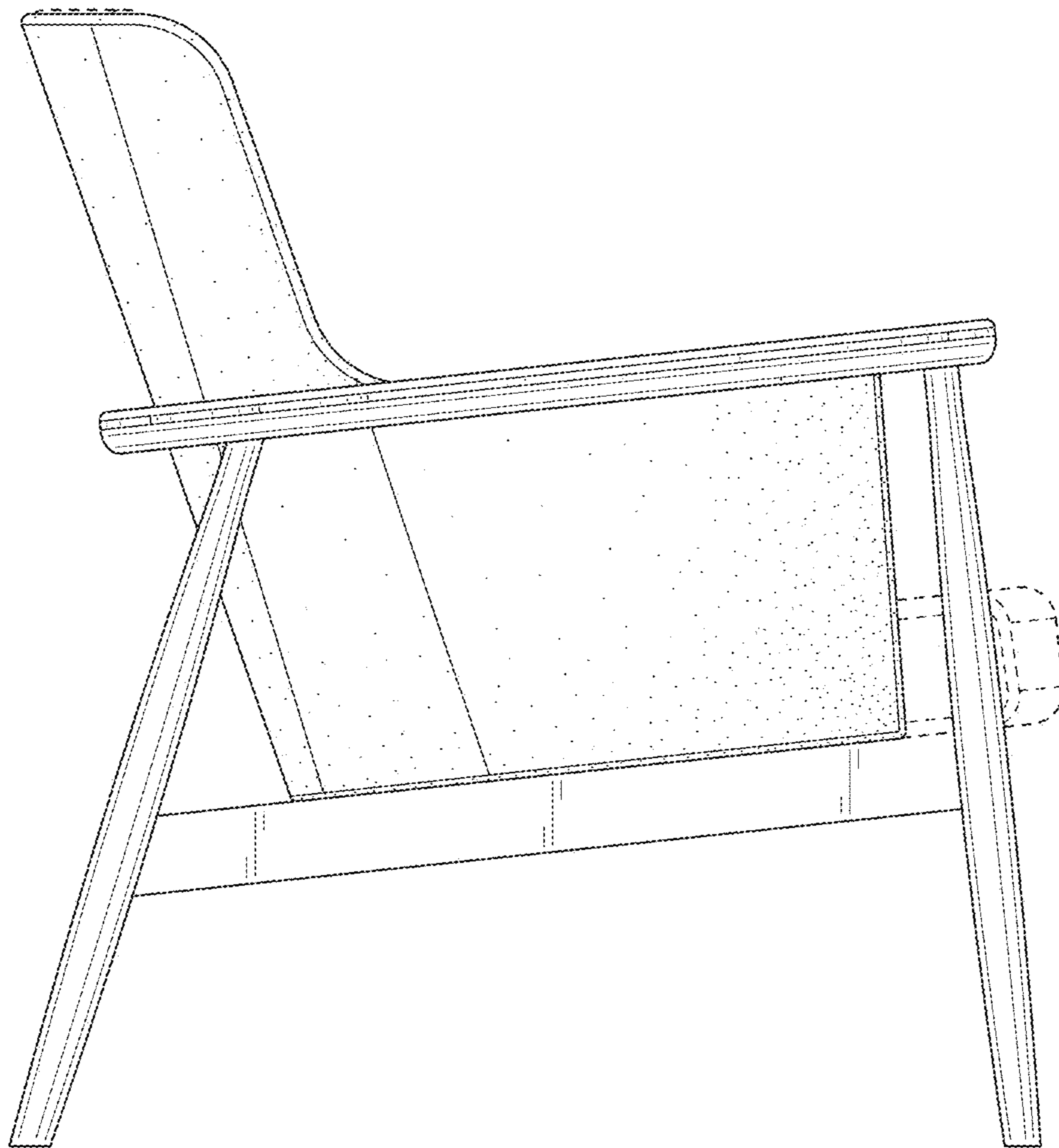


FIG. 25

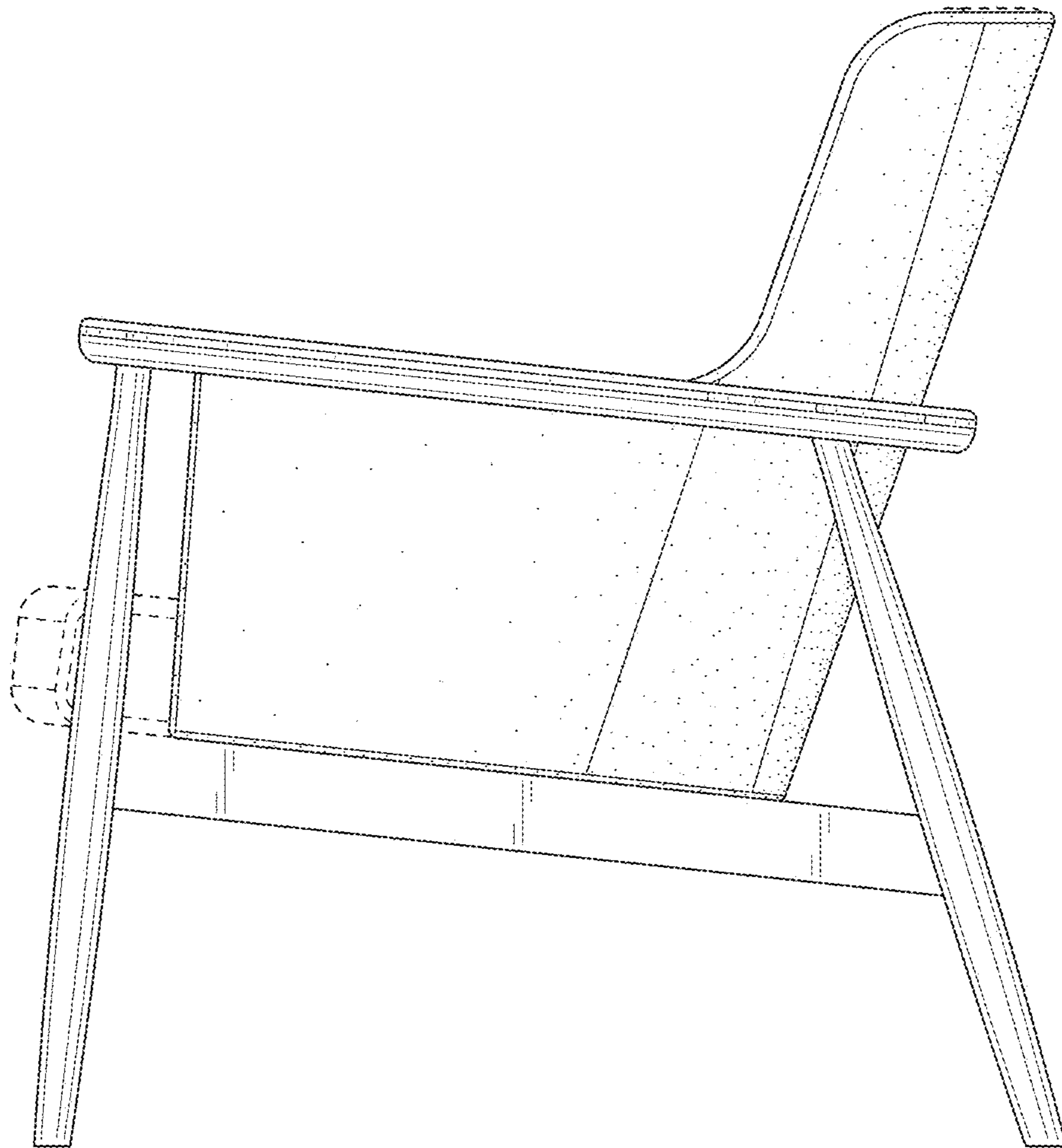


FIG. 26

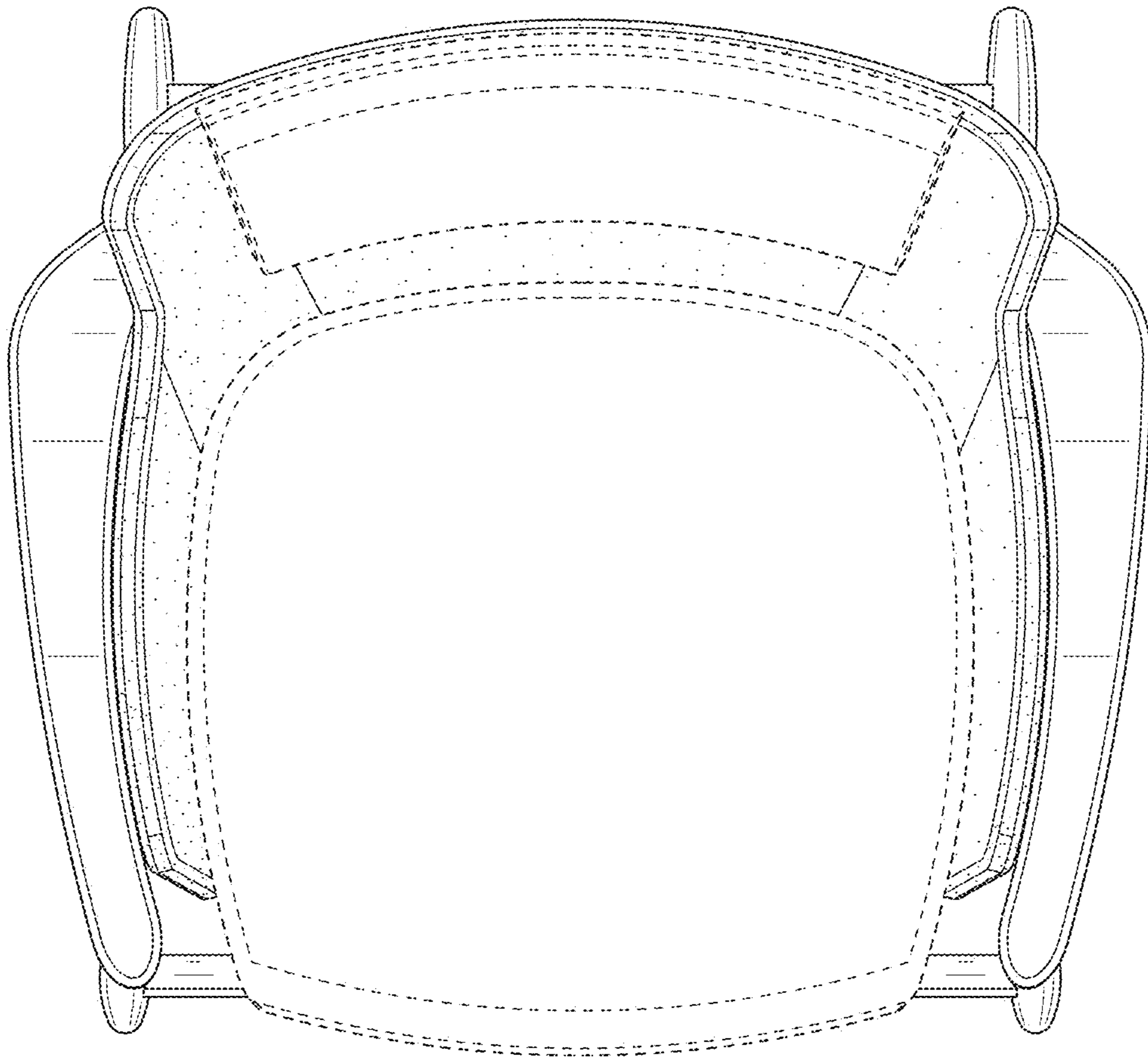


FIG. 27

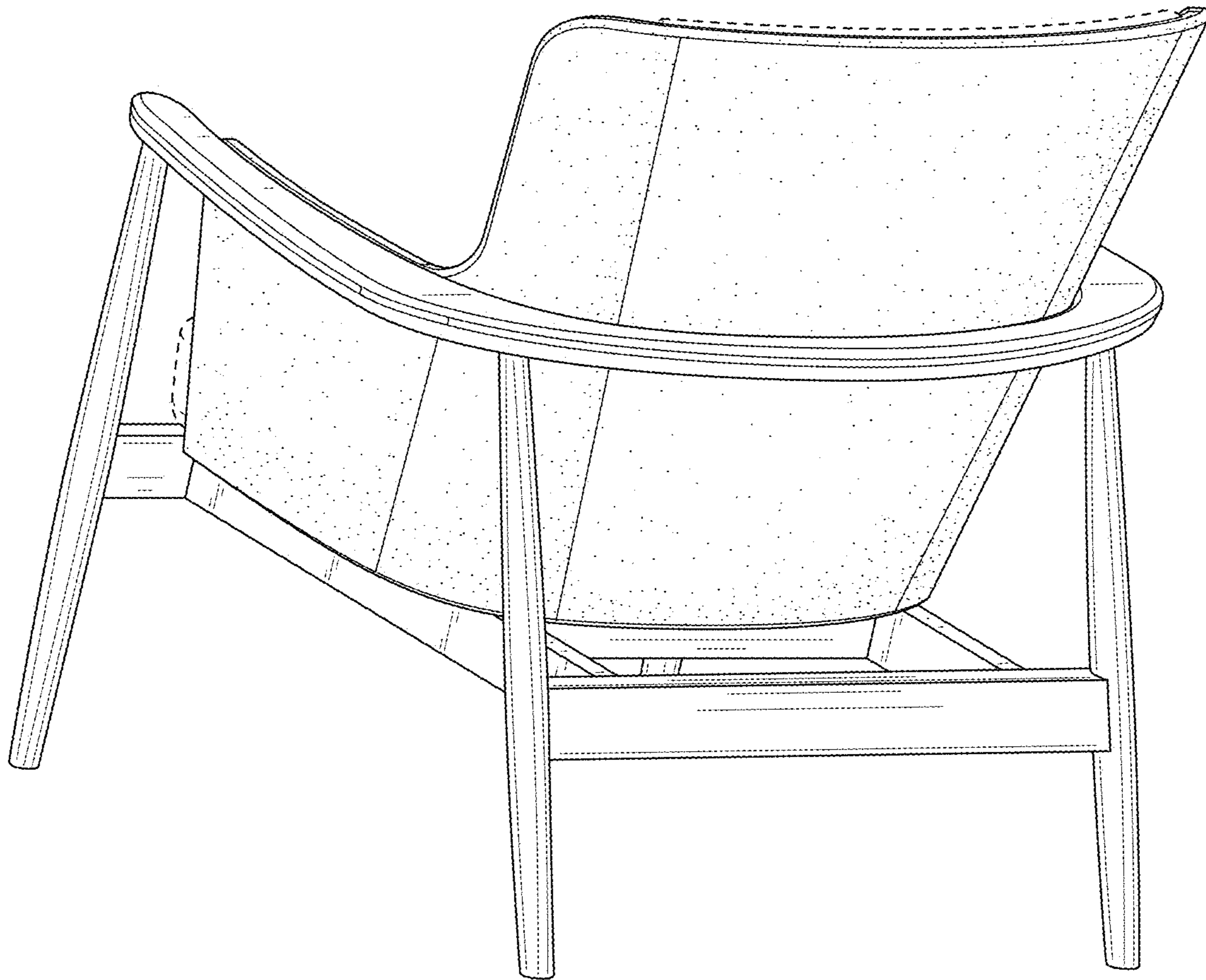


FIG. 28