



US00D963348S

(12) **United States Design Patent**
Lopez

(10) **Patent No.:** **US D963,348 S**

(45) **Date of Patent:** **** Sep. 13, 2022**

(54) **HANDLE**

(71) Applicant: **VIVE HEALTH LLC**, Naples, FL (US)

(72) Inventor: **Juan Lopez**, Naples, FL (US)

(73) Assignee: **Vive Health LLC**, Naples, FL (US)

(**) Term: **15 Years**

(21) Appl. No.: **29/747,071**

(22) Filed: **Aug. 19, 2020**

(51) **LOC (13) Cl.** **04-02**

(52) **U.S. Cl.**
USPC **D4/138; D8/107**

(58) **Field of Classification Search**
USPC D8/14, 51, 61, 68, 98, 107, 300, 303;
D7/395; D24/133; D32/46, 49, 52;
D4/138; D28/34
CPC B25G 1/105; B25G 1/102; B25G 1/125;
B25F 1/10; Y10T 16/44; Y10T 16/498
See application file for complete search history.

(56) **References Cited**

U.S. PATENT DOCUMENTS

D404,276 S *	1/1999	Ghode	D8/68
D410,830 S *	6/1999	Pusateri	D8/68
D424,399 S *	5/2000	Staton	D8/107
D427,871 S *	7/2000	Price	D8/107
D432,381 S *	10/2000	Khachatoorian	D8/107
D475,909 S *	6/2003	Waldron	D8/68
D478,492 S *	8/2003	Levine	D8/80
D482,259 S *	11/2003	Chen	D8/107
D490,680 S *	6/2004	Levine	D8/107
D494,439 S *	8/2004	Levine	D8/107
D524,135 S *	7/2006	Happ	D8/68
D534,586 S *	1/2007	Togawa	D19/172

D551,962 S *	10/2007	Blasko	D9/424
D564,329 S *	3/2008	Hsieh	D8/107
D577,564 S *	9/2008	Wu	D8/107
D579,745 S *	11/2008	Huang	D8/4
D581,766 S *	12/2008	Heneen	D8/107
D630,487 S *	1/2011	Davis	D8/107
D637,467 S *	5/2011	Wang	D8/83
D651,245 S *	12/2011	Yuan	D19/172
D657,217 S *	4/2012	Chang	D8/44
D657,222 S *	4/2012	Steinfels	D8/68
D661,569 S *	6/2012	Chen	D8/107
D679,976 S *	4/2013	Chiu	D8/107
D689,356 S *	9/2013	Yang	D8/107
D723,791 S *	3/2015	Headley	D3/12
D757,510 S *	5/2016	Caglar	D8/21
D759,455 S *	6/2016	Petzl	D8/76
D769,688 S *	10/2016	Nelson	D8/80
D832,669 S *	11/2018	Dretzka	D8/8
D859,003 S *	9/2019	Robbins	D4/138
D909,847 S *	2/2021	Hsu	D8/107
D930,995 S *	9/2021	Russo	D4/138
D939,222 S *	12/2021	Brandt	D4/138

* cited by examiner

Primary Examiner — Philip S Hyder

(74) *Attorney, Agent, or Firm* — Workman Nydegger

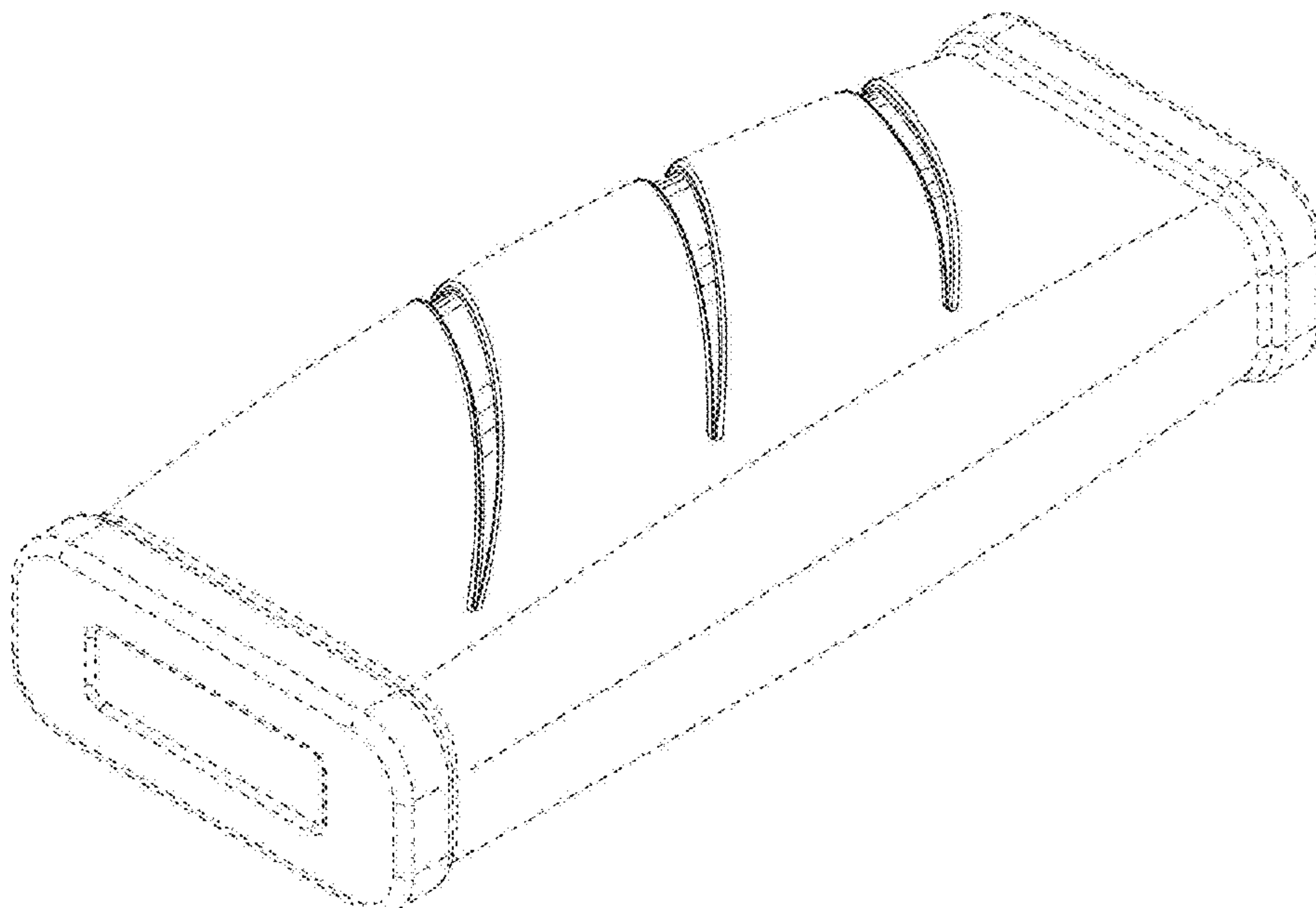
(57) **CLAIM**

The ornamental design for a handle, as shown and described.

DESCRIPTION

FIG. 1 is a perspective view of a handle showing the new design;
FIG. 2 is a left side elevation view thereof;
FIG. 3 is a right side elevation view thereof;
FIG. 4 is a top plan view thereof;
FIG. 5 is a bottom plan view thereof;
FIG. 6 is a front elevation view thereof; and,
FIG. 7 is a rear elevation view thereof.

1 Claim, 7 Drawing Sheets



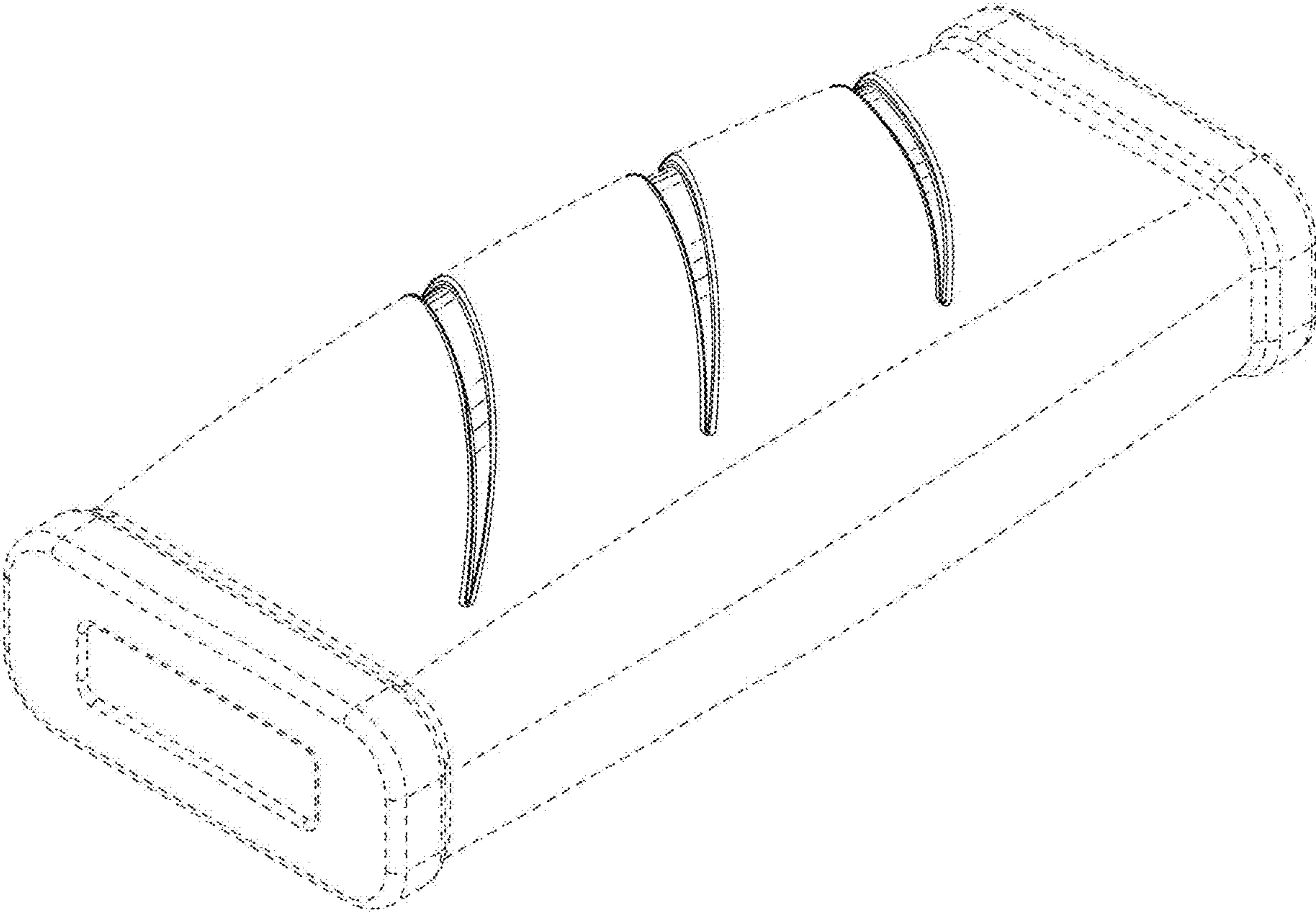


FIG.1

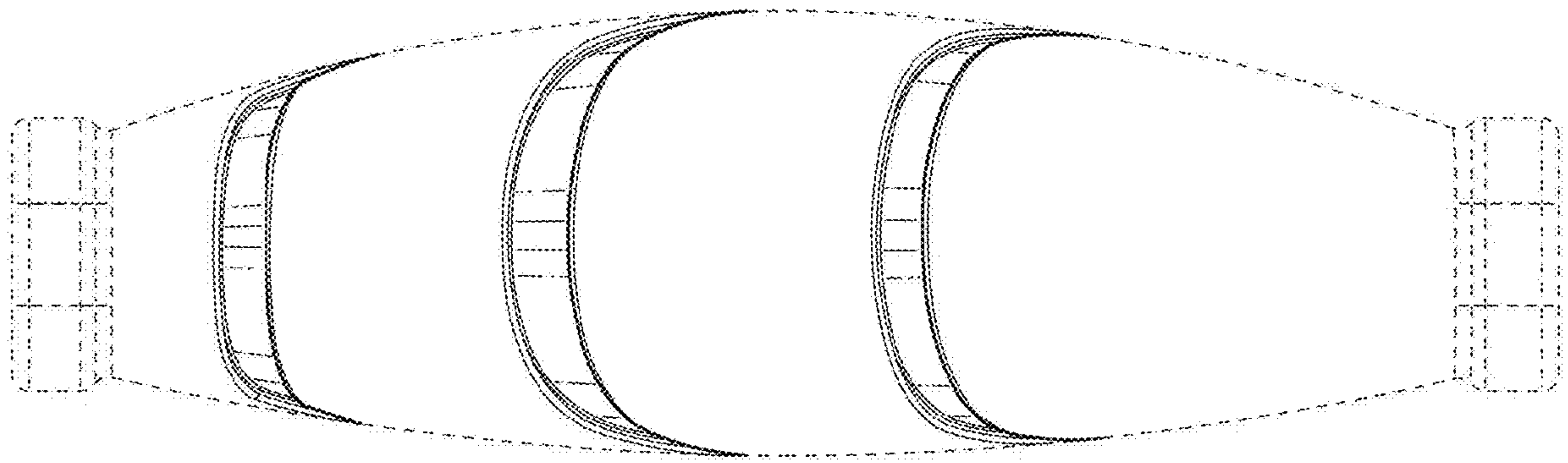


FIG. 2

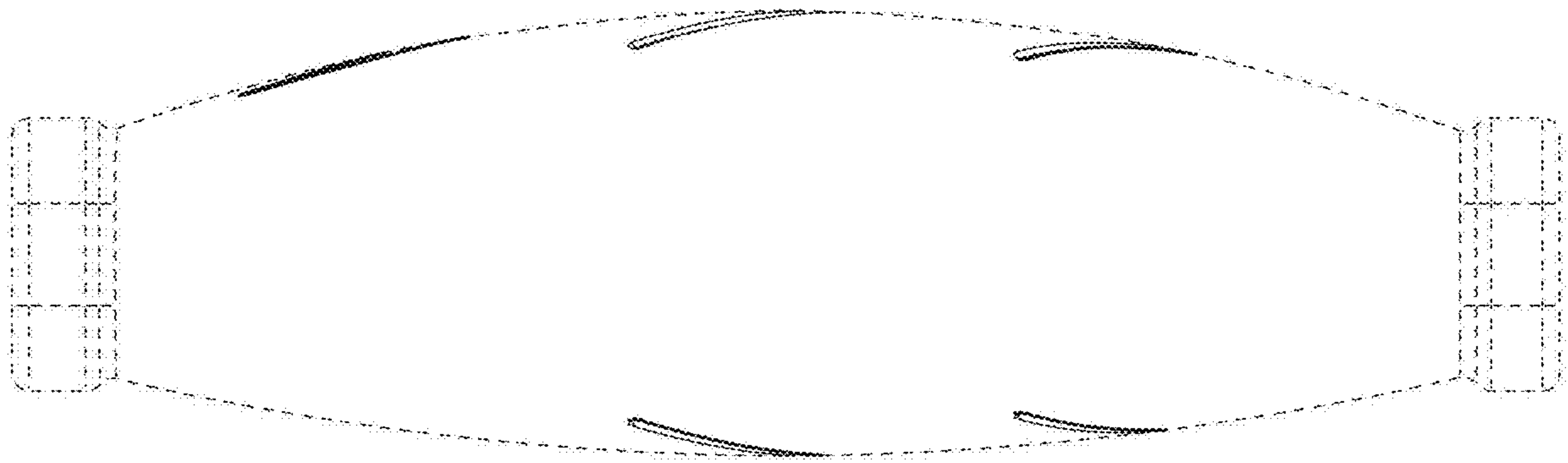


FIG. 3

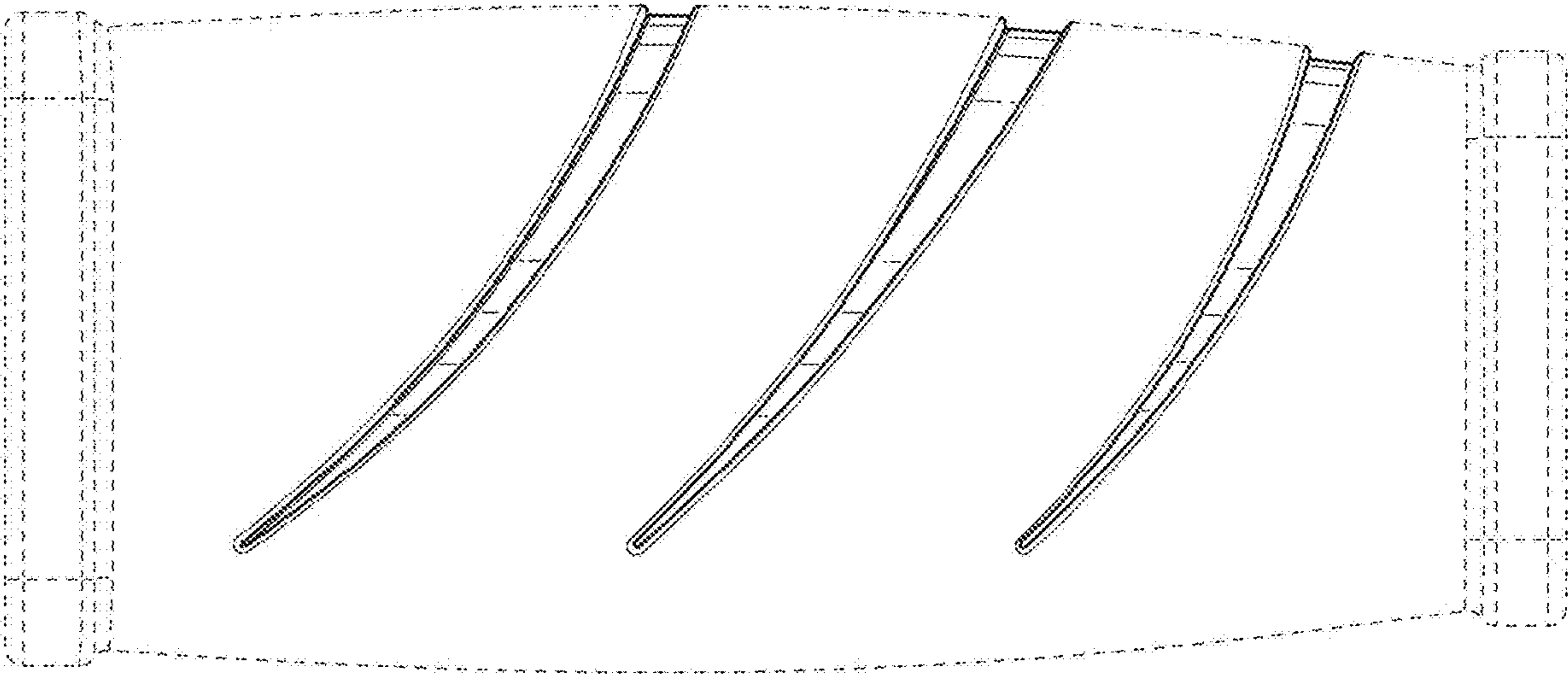


FIG. 4

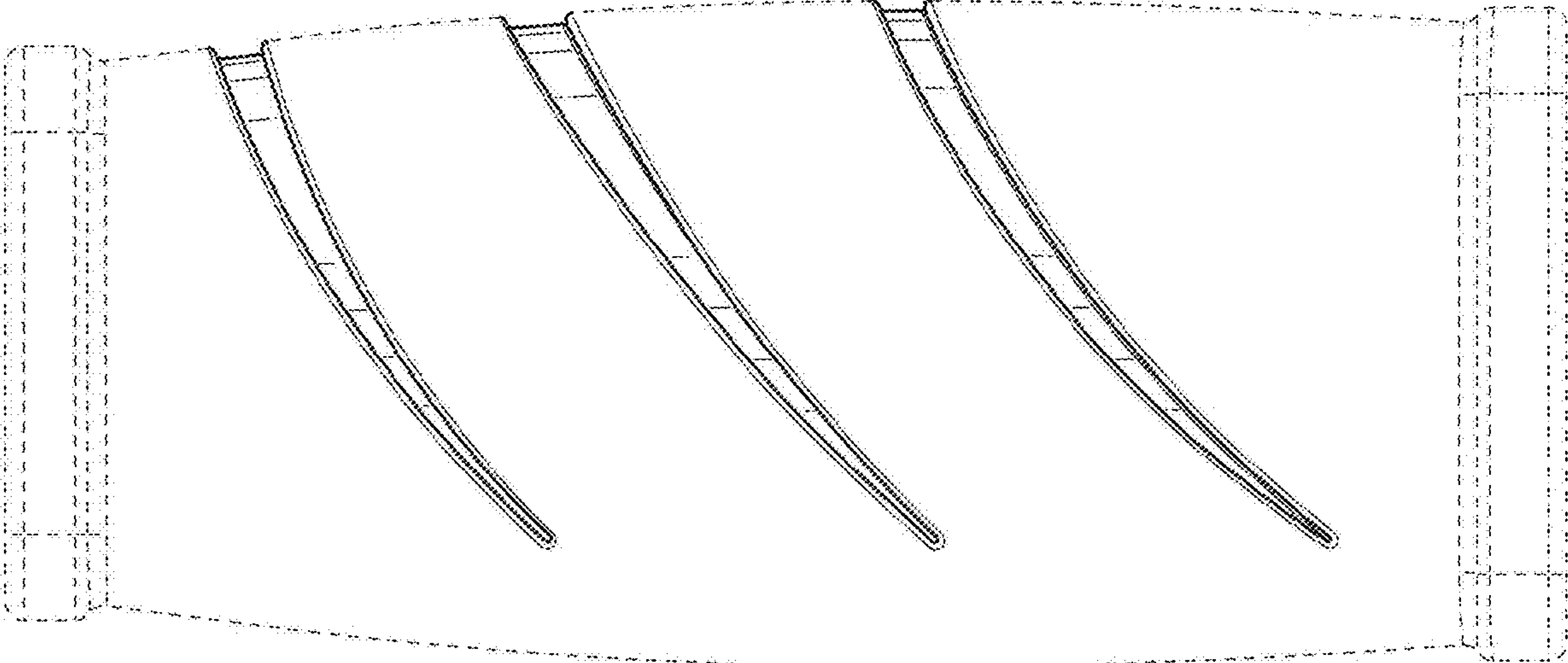


FIG. 5

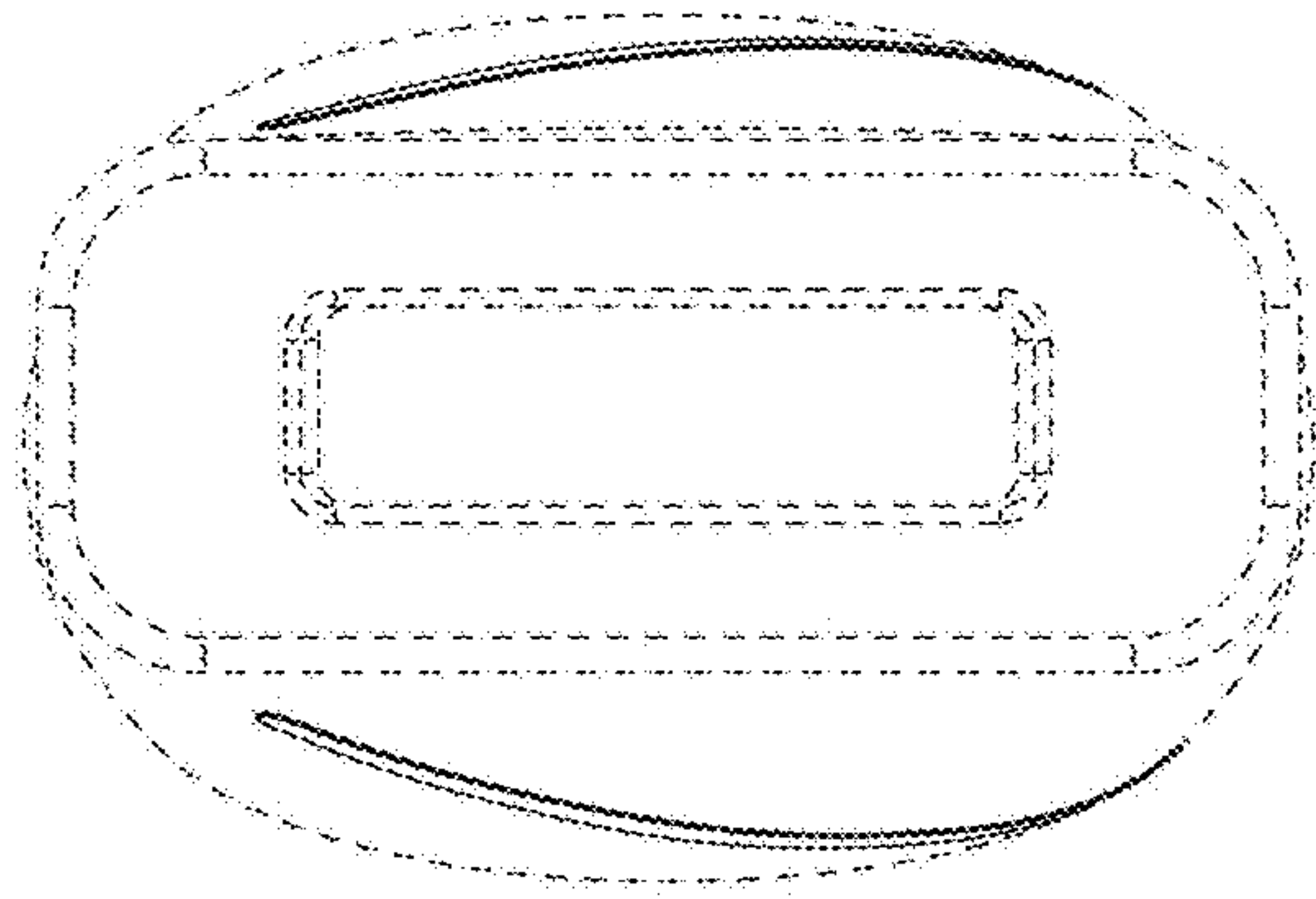


FIG. 6

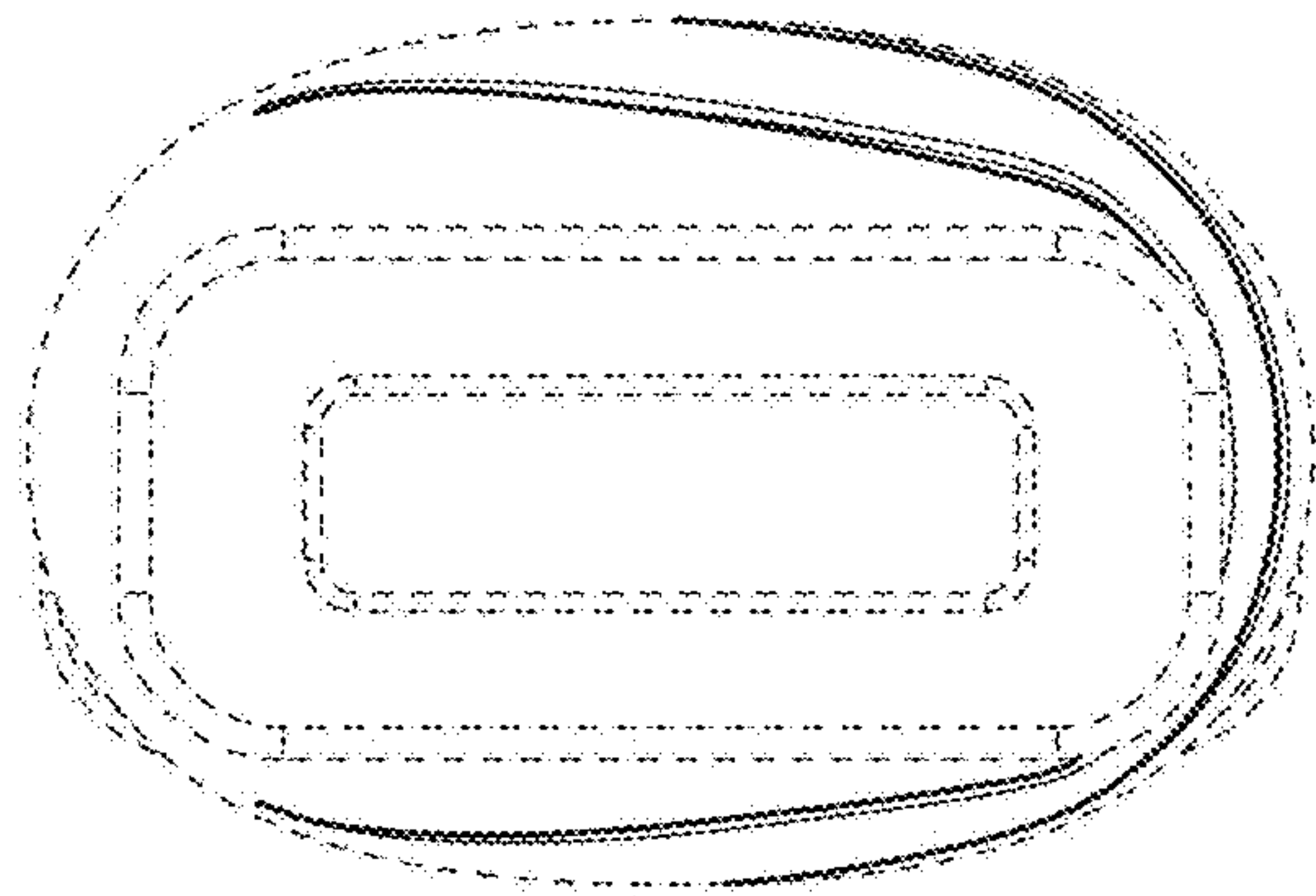


FIG. 7