



US00D963344S

(12) **United States Design Patent** (10) **Patent No.:** **US D963,344 S**  
**Nichols et al.** (45) **Date of Patent:** **\*\* Sep. 13, 2022**

(54) **LUGGAGE**  
(71) Applicant: **YETI Coolers, LLC**, Austin, TX (US)  
(72) Inventors: **Steve Charles Nichols**, Austin, TX (US); **Andy Bondhus**, Austin, TX (US); **Michael Christopher Cieszko**, Austin, TX (US); **Nicholas James Lombardi**, Austin, TX (US); **Dustin Bullock**, Austin, TX (US)

2,183,121 A 12/1939 Levine  
2,439,660 A 4/1948 Keil  
2,455,069 A 11/1948 Launder  
(Continued)

FOREIGN PATENT DOCUMENTS

BE 1013040 A3 8/2001  
BE 1016429 A3 10/2006  
(Continued)

OTHER PUBLICATIONS

9to5toys.com, Site visited Dec. 28, 2021, "Review, Pelican's impressive Elite Luggage is built like a tank, but is it worth the price tag?" Published by Justin Kahn on May 29, 2016, <https://9to5toys.com/2016/05/29/review-pelicans-impressive-elite-luggage-is-built-like-a-tank-but-is-it-worth-the-price-tag/> (Year: 2016).\*

(Continued)

(73) Assignee: **YETI Coolers, LLC**, Austin, TX (US)  
(\*\*) Term: **15 Years**  
(21) Appl. No.: **29/740,019**  
(22) Filed: **Jun. 30, 2020**  
(51) **LOC (13) Cl.** ..... **03-01**  
(52) **U.S. Cl.**  
USPC ..... **D3/323; D3/279**  
(58) **Field of Classification Search**  
USPC ..... D3/272, 273, 274, 275, 276, 279, 281, D3/282, 283, 284, 285, 289, 294, 301, D3/318, 319, 321, 900, 901, 902, 903, D3/904, 905, 328; D8/323, 324, 325, D8/326, 327, 328, 329, 383  
CPC .... A45C 5/00; A45C 5/14; A45C 5/03; A45C 13/03; A44B 11/20  
See application file for complete search history.

*Primary Examiner* — Brett Miller  
*Assistant Examiner* — Jessica M Gebhart  
(74) *Attorney, Agent, or Firm* — Banner & Witcoff, Ltd.

(57) **CLAIM**

The ornamental design for luggage, as shown and described.

**DESCRIPTION**

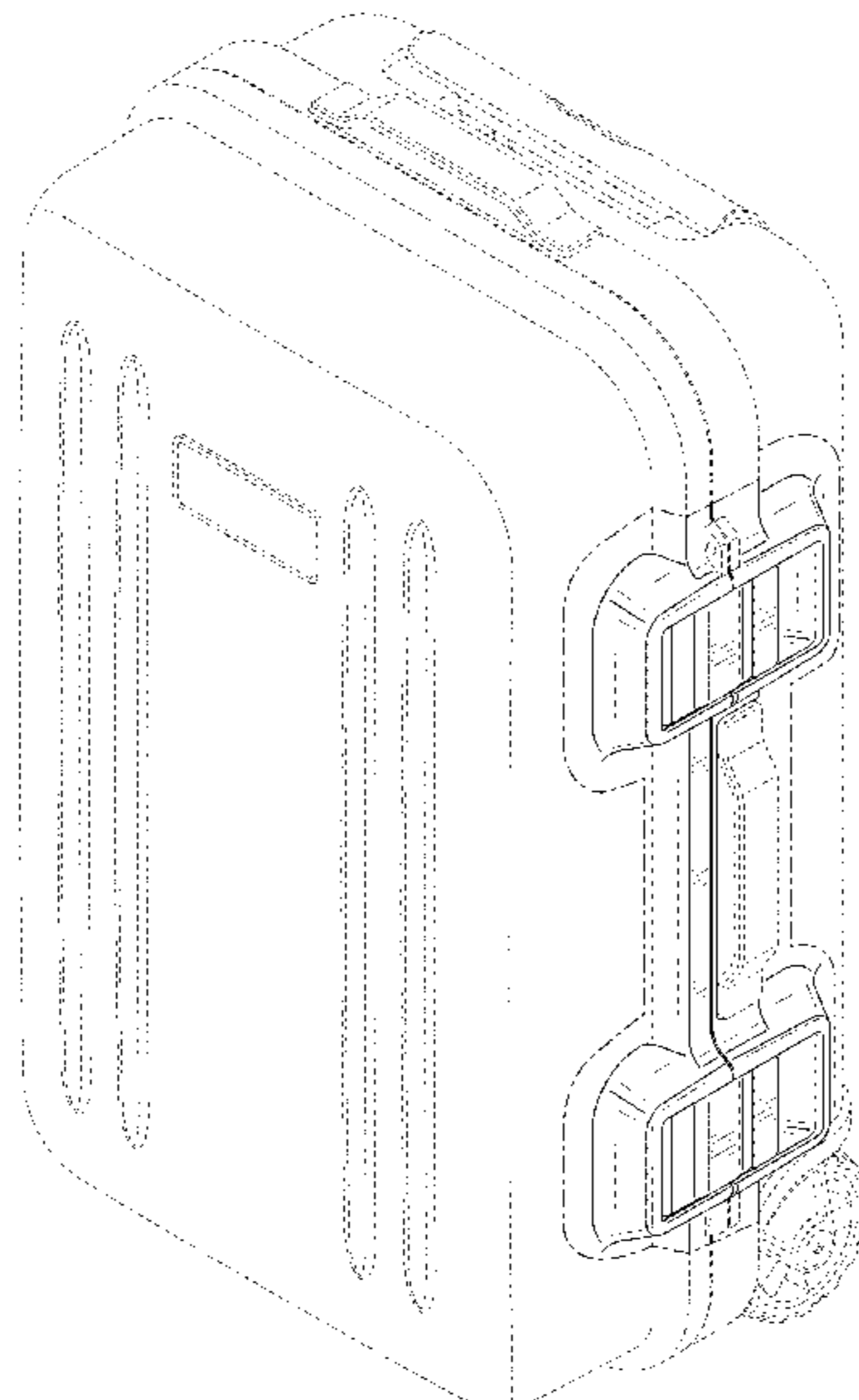
FIG. 1 is a front perspective view of luggage showing our new design;  
FIG. 2 is a front view thereof;  
FIG. 3 is a rear view thereof;  
FIG. 4 is a right side view thereof;  
FIG. 5 is a left side view thereof;  
FIG. 6 is a top view thereof; and,  
FIG. 7 is a bottom view thereof.

The uneven-length broken lines immediately adjacent to and surrounding the shaded area represent the bounds of the claimed design and form no part thereof. The even-length broken lines depicting the remainder of the luggage form no part of the claimed design.

**1 Claim, 7 Drawing Sheets**

(56) **References Cited**  
U.S. PATENT DOCUMENTS

286,909 A 10/1883 Commander  
749,959 A 1/1904 Curtiss  
1,008,041 A 11/1911 Leonard  
1,056,648 A 3/1913 Earley  
2,028,339 A 1/1936 Levine et al.  
2,101,337 A 12/1937 Komenak  
2,109,928 A 3/1938 Passalacqua



(56)

## References Cited

## U.S. PATENT DOCUMENTS

2,472,491 A	6/1949	Quinton	4,746,008 A	5/1988	Heverly et al.
2,510,643 A	6/1950	Long	4,768,815 A	9/1988	Harmon
2,565,939 A	8/1951	Wriston	4,775,072 A	10/1988	Lundblade et al.
2,574,089 A	11/1951	Cochran	4,802,344 A	2/1989	Livingston et al.
2,577,951 A	12/1951	Cortsen	4,805,272 A	2/1989	Yamaguchi
2,581,417 A	1/1952	Jones	4,826,060 A	5/1989	Hollingsworth
2,604,961 A	7/1952	Koch	4,858,444 A	8/1989	Scott
2,647,653 A	8/1953	Dube	4,873,841 A	10/1989	Bradshaw et al.
2,717,093 A	9/1955	Mautner	4,899,904 A	2/1990	Dooley et al.
2,747,732 A	5/1956	Fischer	4,904,007 A	2/1990	Woodruff
2,803,956 A	8/1957	Womer	4,917,261 A	4/1990	Borst
2,874,401 A	2/1959	Kotkins	4,928,800 A	5/1990	Green et al.
2,912,080 A	11/1959	Ikelheimer	4,930,649 A	6/1990	Moser
2,931,205 A	4/1960	Schmitz	4,975,073 A	12/1990	Weisman
2,936,189 A	5/1960	Pearson	4,982,863 A	1/1991	Skillius
3,009,193 A	11/1961	Lifton	5,011,020 A	4/1991	Stevens et al.
3,057,636 A	10/1962	D'Ettorre	5,014,830 A	5/1991	Seynhaeve
3,141,680 A	7/1964	McCord	5,024,471 A	6/1991	Kahl et al.
3,191,244 A	6/1965	Burke	5,040,834 A	8/1991	Kahl et al.
3,202,310 A	8/1965	Tibbets	5,044,513 A	9/1991	Van Berne
3,225,983 A	12/1965	Majka	5,062,557 A	11/1991	Mahvi et al.
3,250,558 A	5/1966	McClintock	5,075,925 A	12/1991	Maloney
3,259,412 A	7/1966	Wheeler	5,080,250 A	1/1992	Dickinson et al.
3,416,701 A	12/1968	Kramer et al.	5,096,030 A	3/1992	Espinosa et al.
3,432,025 A	3/1969	Luhe	5,101,541 A	4/1992	Watanabe
3,464,579 A	9/1969	Asenbauer	5,105,920 A	4/1992	Grebenstein
3,565,305 A	2/1971	Belokin, Jr.	5,111,920 A	5/1992	Castelli et al.
3,642,168 A	2/1972	Wiley, Jr. et al.	D327,427 S	6/1992	McCooley
3,656,650 A	4/1972	Frater	5,117,952 A	6/1992	Suh
3,661,410 A	5/1972	Larson et al.	D328,186 S	7/1992	Hanke
3,688,942 A	9/1972	Mitchell et al.	5,139,294 A	8/1992	Ward et al.
3,690,708 A	9/1972	Worley et al.	5,153,561 A	10/1992	Johnson
3,741,433 A	6/1973	Bentley et al.	5,165,583 A	11/1992	Kouwenberg
3,847,423 A	11/1974	Gley	5,167,433 A	12/1992	Ryan
3,861,504 A	1/1975	McGraw	5,169,018 A	12/1992	Fiore
3,882,914 A	5/1975	Strutz	D333,775 S	3/1993	Krape
3,886,625 A	6/1975	Rollband	D334,870 S	4/1993	Griffin
3,902,628 A	9/1975	Schurman	D335,030 S	4/1993	Alfonso
3,915,362 A	10/1975	Hart	5,205,413 A	4/1993	Cautereels et al.
3,917,038 A	11/1975	Foge et al.	5,213,381 A	5/1993	Anderson
3,933,269 A	1/1976	Mastrovito	5,216,905 A	6/1993	Sersch et al.
3,955,656 A	5/1976	Kashinski	5,235,830 A	8/1993	Benge
3,987,829 A	10/1976	Leone	D340,167 S	10/1993	Kahl
3,991,921 A	11/1976	Hirsch	D342,609 S	12/1993	Brightbill
4,094,392 A	6/1978	Gregg et al.	5,269,157 A	12/1993	Ciminelli et al.
4,095,711 A	6/1978	Conley	5,282,706 A	2/1994	Anthony et al.
4,116,479 A	9/1978	Poe	D347,114 S	5/1994	Tengvall
4,143,442 A	3/1979	Harlang	5,313,817 A	5/1994	Meinders
4,153,178 A	5/1979	Weavers	D347,971 S	6/1994	Krugman
D256,630 S	9/1980	Maney	5,319,937 A	6/1994	Fritsch et al.
D257,218 S	10/1980	Eriksson	5,322,178 A	6/1994	Foos
4,249,760 A	2/1981	Conley	5,335,451 A	8/1994	Druzynski
4,254,850 A	3/1981	Knowles	D351,533 S	10/1994	Lynam, Jr.
4,273,223 A	6/1981	Tomlinson	5,353,946 A	10/1994	Behrend
4,343,412 A	8/1982	Wilcox et al.	5,358,082 A	10/1994	Armstrong, IV
4,351,165 A	9/1982	Gottsegen et al.	5,373,708 A	12/1994	Dumoulin, Jr.
4,446,705 A	5/1984	Loucks	D355,568 S	2/1995	Paulin et al.
4,465,189 A	8/1984	Molzan	5,390,811 A	2/1995	Ogino et al.
4,476,988 A	10/1984	Tanner	5,398,807 A	3/1995	Plath
4,509,622 A	4/1985	Morszeck	5,402,557 A	4/1995	Dalen
4,515,421 A	5/1985	Steffes	D358,765 S	5/1995	Dickinson et al.
4,516,686 A	5/1985	Chaussepied	5,419,432 A	5/1995	Ingram
4,522,312 A	6/1985	Rathgeber et al.	5,423,644 A	6/1995	First, Sr.
4,523,692 A	6/1985	Lemkin	5,427,308 A	6/1995	Swift et al.
4,550,813 A	11/1985	Browning	D359,836 S	7/1995	Shuler
4,561,526 A	12/1985	Winter et al.	5,431,263 A	7/1995	Nordstrom
4,573,202 A	2/1986	Lee	5,435,256 A	7/1995	Svehaug
4,575,109 A	3/1986	Cowdery	D361,888 S	9/1995	Kahl et al.
4,592,482 A	6/1986	Seager	5,454,477 A	10/1995	Bornhorst et al.
4,615,464 A	10/1986	Byrns	D364,426 S	11/1995	Bucaccio
4,662,188 A	5/1987	Hullihan	5,465,985 A	11/1995	Devan et al.
4,673,207 A	6/1987	Reynolds et al.	5,474,162 A	12/1995	Shyr et al.
4,706,344 A	11/1987	Tanaka et al.	5,478,097 A	12/1995	Forma
4,707,011 A	11/1987	McKim, Jr.	D367,360 S	2/1996	Wolff
4,712,657 A	12/1987	Myers et al.	D368,161 S	3/1996	Miller
			D369,342 S	4/1996	Williams
			D369,695 S	5/1996	Imotani
			5,518,139 A	5/1996	Trower et al.
			5,519,919 A	5/1996	Lee

(56)

References Cited

U.S. PATENT DOCUMENTS

D370,619 S	6/1996	Hall et al.	6,047,976 A	4/2000	Wang
D371,051 S	6/1996	Melk	6,050,373 A	4/2000	Wonka et al.
D371,052 S	6/1996	Melk	D425,301 S	5/2000	Sagol
5,524,737 A	6/1996	Wang	6,079,083 A	6/2000	Akashi
5,526,953 A	6/1996	Chieng	6,079,754 A	6/2000	Alexy
D371,724 S	7/1996	Melk	D427,882 S	7/2000	Wytcherley et al.
D371,942 S	7/1996	Lippincott et al.	D428,254 S *	7/2000	Alexander-Katz ..... D3/274
5,533,231 A	7/1996	Bai	D428,698 S	8/2000	Cheng
D373,514 S	9/1996	Melk	6,105,767 A	8/2000	Vasudeva
D373,515 S	9/1996	Melk	6,129,231 A	10/2000	Hsiao et al.
5,564,805 A	10/1996	Dickinson	6,135,253 A	10/2000	Weissman et al.
5,568,848 A	10/1996	Liang	6,152,501 A	11/2000	Magi et al.
5,570,915 A	11/1996	Asadurian	D435,780 S	1/2001	Tieu
5,575,362 A	11/1996	Franklin et al.	6,167,994 B1	1/2001	Kuo et al.
5,590,891 A	1/1997	Kazmark, Jr.	6,170,122 B1	1/2001	Kuo
5,603,545 A	2/1997	Benson et al.	6,176,499 B1	1/2001	Conrado et al.
5,620,212 A	4/1997	Bourne et al.	6,176,559 B1	1/2001	Tiramani et al.
5,620,213 A	4/1997	Ellis	6,179,176 B1	1/2001	Saggese et al.
5,626,373 A	5/1997	Chambers et al.	D441,954 S	5/2001	Parker
5,630,630 A	5/1997	Price et al.	6,234,287 B1	5/2001	Pfeiffer
D380,369 S	7/1997	Antonucci	6,244,064 B1	6/2001	Powell et al.
D381,512 S	7/1997	Green	6,244,066 B1	6/2001	LaRose
D381,562 S	7/1997	Westcott	6,244,458 B1	6/2001	Frysinger et al.
D381,871 S	8/1997	Melk	6,247,203 B1	6/2001	Kuo
D382,114 S	8/1997	Dickinson et al.	6,247,328 B1	6/2001	Mogil
D383,306 S	9/1997	Pennoyer	6,260,240 B1	7/2001	Akashi et al.
D383,603 S	9/1997	Pedlar	6,279,971 B1	8/2001	Dessenberger, Jr.
5,662,223 A	9/1997	Sylegård	6,289,554 B1	9/2001	Wang
5,683,097 A	11/1997	Fenton et al.	6,289,684 B1	9/2001	Guidry, II et al.
5,688,001 A	11/1997	Klein et al.	D449,163 S	10/2001	Dahlen et al.
D387,249 S	12/1997	Mogil	6,305,185 B1	10/2001	Sloan
D387,558 S	12/1997	Mann et al.	D451,278 S	12/2001	Cooper
D387,626 S	12/1997	Melk	6,343,815 B1	2/2002	Poe
5,704,158 A	1/1998	Whiteaker	D454,292 S	3/2002	Plummer et al.
5,718,350 A	2/1998	Williams	6,353,978 B1	3/2002	Kawahara et al.
D392,510 S	3/1998	Perez	6,357,080 B1	3/2002	Tsai
5,727,844 A	3/1998	O'Quinn et al.	6,360,400 B1	3/2002	Chang
5,732,987 A	3/1998	Wright et al.	6,363,739 B1	4/2002	Hodosh et al.
5,755,311 A	5/1998	Younessian et al.	6,367,602 B1	4/2002	Chang
5,762,242 A	6/1998	Yost	6,371,320 B2	4/2002	Sagol
5,762,411 A	6/1998	Yemini	6,371,346 B1	4/2002	Sharma
5,769,194 A	6/1998	Chang	6,375,237 B1	4/2002	Koenig
5,797,488 A	8/1998	Yemini	D457,724 S	5/2002	Och
5,803,472 A	9/1998	Lien	D457,725 S	5/2002	Parsons
5,813,503 A	9/1998	Chang	6,389,645 B1	5/2002	Polidoro
5,816,185 A	10/1998	Ruthrford	6,398,272 B1	6/2002	Plummer et al.
5,826,718 A	10/1998	Ahern, Jr. et al.	6,401,308 B1	6/2002	Kawahara
5,826,770 A	10/1998	Chuang	6,422,386 B1	7/2002	Wiese et al.
5,839,553 A	11/1998	Dorsam	6,427,475 B1	8/2002	DeFelice et al.
5,860,281 A	1/1999	Coffee et al.	6,427,501 B2	8/2002	Ramsauer
5,865,281 A	2/1999	Wang	D462,519 S	9/2002	Gaydos et al.
5,875,948 A	3/1999	Sadler	6,446,382 B1	9/2002	Cloutier et al.
5,887,745 A	3/1999	Wood	6,446,988 B1	9/2002	Kho
5,896,962 A	4/1999	Smith et al.	D464,485 S	10/2002	Sward et al.
5,901,571 A	5/1999	Whaley	6,467,779 B1	10/2002	Mills
5,904,269 A	5/1999	Wolff	6,478,463 B2	11/2002	Snider
D410,387 S	6/1999	Jacques	6,481,239 B2	11/2002	Hodosh et al.
5,924,303 A	7/1999	Hodosh	D466,439 S	12/2002	Wagner et al.
5,933,929 A	8/1999	Kawakami et al.	D467,424 S	12/2002	Hardigg et al.
5,934,716 A	8/1999	Koveal et al.	D467,425 S	12/2002	Hardigg et al.
5,940,940 A	8/1999	Tanikoshi et al.	D467,426 S	12/2002	Hardigg et al.
5,950,368 A	9/1999	Bradford	6,497,311 B2	12/2002	Tiramani et al.
5,956,805 A	9/1999	Huang	6,497,438 B1	12/2002	Holub et al.
5,957,321 A	9/1999	Jones	6,499,574 B1	12/2002	Anthony
D414,673 S	10/1999	Dickinson et al.	6,502,677 B1	1/2003	Tiramani et al.
5,971,218 A	10/1999	Le	6,508,389 B1	1/2003	Ripoyla et al.
5,975,334 A	11/1999	Mayo	6,520,514 B2	2/2003	Clegg
5,984,064 A	11/1999	Byington	D471,711 S	3/2003	Addison
5,984,326 A	11/1999	Abraham et al.	6,527,309 B1	3/2003	Gaydos et al.
5,984,382 A	11/1999	Bourne et al.	6,532,624 B1	3/2003	Yang
5,988,658 A	11/1999	Ritchie et al.	D472,431 S	4/2003	Spence, Jr.
6,015,072 A	1/2000	Young	6,543,096 B2	4/2003	Settelmayer et al.
D419,767 S	2/2000	Richardson et al.	6,547,218 B2	4/2003	Landy
D419,768 S	2/2000	Richardson et al.	6,547,289 B1	4/2003	Greenheck et al.
D420,221 S	2/2000	Williams et al.	6,550,592 B1	4/2003	Godshaw et al.
			6,554,327 B1	4/2003	Riley
			D474,649 S	5/2003	Spence, Jr.
			6,574,983 B2	6/2003	Smith et al.
			6,585,090 B2	7/2003	Harvey

(56)

## References Cited

## U.S. PATENT DOCUMENTS

D477,916 S	8/2003	Nykoluk	7,306,243 B2	12/2007	Van Horn et al.
D478,782 S	8/2003	Li	7,309,106 B2	12/2007	Stallman
6,612,411 B2	9/2003	Nykoluk et al.	D562,646 S	2/2008	Lown et al.
6,619,448 B1	9/2003	Wang	7,334,680 B2	2/2008	Cunningham et al.
D481,293 S	10/2003	Ayrest	7,334,802 B2	2/2008	Kaplan
6,637,077 B2	10/2003	Doty	D563,101 S	3/2008	Kuchler
6,637,562 B2	10/2003	Oh	7,344,028 B2	3/2008	Hanson
D482,593 S	11/2003	Wolf	D566,479 S	4/2008	Kabalin
6,640,397 B1	11/2003	Gipson	7,367,451 B2	5/2008	Pendergraph et al.
6,646,864 B2	11/2003	Richardson	7,370,891 B1	5/2008	Schmitt et al.
D484,004 S	12/2003	Lee	D570,601 S	6/2008	Drew et al.
6,658,903 B1	12/2003	McShane et al.	D570,603 S	6/2008	Wu et al.
6,679,358 B2	1/2004	Be	7,387,350 B2	6/2008	Killinger et al.
6,679,359 B2	1/2004	Pfeiffer	D572,577 S	7/2008	Hatton
6,691,451 B1	2/2004	Keenan	7,397,674 B2	7/2008	Schlack
D487,348 S	3/2004	Fenton et al.	D574,150 S	8/2008	Ross
6,698,608 B2	3/2004	Parker et al.	D574,667 S	8/2008	Grabijas, III et al.
6,718,559 B1	4/2004	Davidson	D575,059 S	8/2008	Cappiello et al.
D489,531 S	5/2004	Oh	7,415,794 B1	8/2008	Thompson
D489,595 S	5/2004	Gleichauf et al.	7,418,311 B1	8/2008	Lagassey et al.
6,736,265 B2	5/2004	Kipper et al.	D578,758 S	10/2008	Stevens et al.
D490,980 S	6/2004	Concari	D579,202 S	10/2008	Grenier et al.
D491,797 S	6/2004	Eriksson	7,434,410 B2	10/2008	Ford
D492,184 S	6/2004	Parker et al.	7,441,641 B2	10/2008	Beakey
6,755,448 B2	6/2004	Jackson et al.	D581,161 S	11/2008	Tong
D493,286 S	7/2004	Concari	D582,678 S	12/2008	Rekuc et al.
6,757,942 B2	7/2004	Matsui et al.	7,458,481 B2	12/2008	Yuen
6,761,366 B1	7/2004	Klemmensen et al.	7,461,871 B2	12/2008	Vauchel
6,779,681 B2	8/2004	Doerfler et al.	7,475,782 B2	1/2009	Lombardi
6,789,692 B2	9/2004	Prezelin	D587,902 S	3/2009	Yoneno
6,793,096 B1	9/2004	Seok	7,503,439 B2	3/2009	O'Shea et al.
D497,480 S	10/2004	Drew et al.	D590,694 S	4/2009	Stuckey
D498,053 S	11/2004	Nordstrom et al.	7,516,520 B2	4/2009	Kelaher et al.
D498,054 S	11/2004	Moon	7,516,842 B2	4/2009	Gu
6,821,019 B2	11/2004	Mogil	D591,511 S	5/2009	Wu
D500,598 S	1/2005	Ramos	7,530,405 B2	5/2009	Kollath et al.
6,877,189 B2	4/2005	Simonson et al.	7,533,782 B2	5/2009	Parker et al.
6,883,208 B1	4/2005	Huang	7,540,364 B2	6/2009	Sanderson
D505,011 S	5/2005	Einav	7,549,652 B2	6/2009	Wu
6,895,789 B2	5/2005	Masseh, Jr. et al.	D596,400 S	7/2009	Chu et al.
D508,376 S	8/2005	Bhavnani	D597,652 S	8/2009	Tang
6,929,145 B2	8/2005	Shepler	7,568,739 B2	8/2009	Lee
6,955,381 B2	10/2005	Parker et al.	7,571,915 B1	8/2009	Simmons
6,981,780 B2	1/2006	Einav	D600,912 S	9/2009	Brunner
6,983,946 B2	1/2006	Sullivan et al.	7,581,656 B2	9/2009	Gnepper et al.
D515,362 S	2/2006	Chan	D601,801 S	10/2009	Perez
D517,947 S	3/2006	Hollingworth et al.	D602,252 S	10/2009	Ehret
7,017,740 B2	3/2006	Itzkovitch	7,604,290 B1	10/2009	Giordano
7,028,730 B2	4/2006	Pace et al.	7,607,540 B2	10/2009	Ballard
D520,237 S	5/2006	Cheng	D607,697 S	1/2010	Whitlock et al.
7,040,115 B1	5/2006	Lopez et al.	D608,159 S	1/2010	Whitlock et al.
D522,811 S	6/2006	Martinez et al.	D608,601 S	1/2010	Whitlock et al.
D523,242 S	6/2006	Hardigg et al.	D610,349 S	2/2010	Ehret
7,066,311 B2	6/2006	O'Shea	7,658,269 B2	2/2010	Wu
D525,714 S	7/2006	Ueda	7,669,436 B2	3/2010	Mogil et al.
7,082,641 B1	8/2006	Jung et al.	7,688,584 B1	3/2010	Becklin
7,093,699 B2	8/2006	Yu	D613,560 S	4/2010	Robichaud et al.
D528,800 S	9/2006	Liu et al.	7,703,588 B2	4/2010	Chiang
D530,095 S	10/2006	Herzberg	7,722,204 B1	5/2010	Sandberg
7,162,890 B2	1/2007	Mogil et al.	D617,561 S	6/2010	Salerno-Tortora
D537,251 S	2/2007	Musgrove	7,735,261 B2	6/2010	Sellati
7,171,731 B1	2/2007	Borcherding	D618,966 S	7/2010	Koehler et al.
D539,543 S	4/2007	Wu	D619,423 S	7/2010	Koehler et al.
D540,540 S	4/2007	Szyf et al.	D619,854 S	7/2010	Koehler et al.
D540,651 S	4/2007	Wolf, V	D619,855 S	7/2010	Koehler et al.
D540,652 S	4/2007	Wolf, V	7,748,232 B2	7/2010	Kang
D544,211 S	6/2007	Herzberg	D624,315 S	9/2010	Amatrudo
7,237,660 B2	7/2007	Wu	7,806,287 B2	10/2010	Rouns
7,246,704 B2	7/2007	Brunson et al.	D626,451 S	11/2010	Helwig et al.
7,246,718 B2	7/2007	Einav et al.	D627,162 S	11/2010	Weng
D552,352 S	10/2007	Lin	D627,199 S	11/2010	Pruchnicki
7,284,393 B1	10/2007	Macmillan	7,841,207 B2	11/2010	Mogil et al.
7,284,763 B1	10/2007	King	D629,200 S	12/2010	Turella-Yuan et al.
D555,902 S	11/2007	Pendergraph et al.	7,854,321 B2	12/2010	Twig et al.
7,296,434 B2	11/2007	Scroggs	D630,435 S	1/2011	Brunner
			7,861,552 B1	1/2011	Hughes
			7,861,834 B2	1/2011	Gorga et al.
			7,874,047 B2	1/2011	Breeden
			7,874,408 B2	1/2011	Suppancig

(56)

## References Cited

## U.S. PATENT DOCUMENTS

D633,300 S	3/2011	Fair	8,544,648 B2	10/2013	Cleveland et al.
D634,545 S	3/2011	Fair	8,561,264 B2	10/2013	Hasegawa et al.
7,909,148 B1	3/2011	Miller et al.	8,561,269 B2	10/2013	LeCompte et al.
D635,366 S	4/2011	Luburic	8,567,631 B2	10/2013	Brunner
D636,292 S	4/2011	Brown	8,567,796 B2	10/2013	Bar-Erez et al.
7,922,052 B2	4/2011	Podschus	8,572,821 B2	11/2013	Hasegawa
D637,811 S	5/2011	Hong	8,573,399 B2	11/2013	Ulmer et al.
7,937,884 B1	5/2011	Naylor et al.	8,590,704 B2	11/2013	Koenig et al.
7,959,194 B2	6/2011	Mahoney	8,590,724 B2	11/2013	Kreidler et al.
D642,379 S	8/2011	Buller	8,596,485 B2	12/2013	Lindsay
D643,624 S	8/2011	Hong	8,596,487 B1	12/2013	Su
7,997,591 B2	8/2011	Arthur	8,601,838 B2	12/2013	Hansen et al.
D644,434 S	9/2011	Miles et al.	8,616,600 B2	12/2013	Owen
8,016,153 B2	9/2011	Boenig et al.	D697,717 S	1/2014	Santy
D646,528 S	10/2011	Stallman et al.	8,622,235 B2	1/2014	Suchecki
8,037,983 B2	10/2011	Leung	8,627,972 B2	1/2014	Thomas
D648,538 S	11/2011	Reinhart et al.	D699,100 S	2/2014	Moreau et al.
D650,585 S	12/2011	Jamison et al.	D699,438 S	2/2014	Mathieu et al.
D652,216 S	1/2012	Fair	8,640,937 B2	2/2014	Pruchnicki
8,091,731 B2	1/2012	Kidd et al.	8,677,661 B2	3/2014	Michels et al.
8,096,152 B2	1/2012	Wagh et al.	8,678,227 B2	3/2014	Patstone
8,096,442 B2	1/2012	Ramundi	D701,697 S	4/2014	Sabbag et al.
8,099,836 B2	1/2012	Breeden et al.	D703,435 S	4/2014	Wile et al.
D654,694 S	2/2012	Wu	8,683,660 B2	4/2014	Hasegawa et al.
8,141,211 B2	3/2012	Weyer et al.	8,689,396 B2	4/2014	Wolfe et al.
D659,395 S	5/2012	Sijmons	8,714,568 B2	5/2014	Allam et al.
D660,000 S	5/2012	Peterson et al.	8,740,010 B1	6/2014	Page
8,167,166 B2	5/2012	Kidd et al.	8,757,642 B2	6/2014	Arthur et al.
8,176,749 B2	5/2012	LaMere et al.	8,757,643 B2	6/2014	Arthur et al.
8,191,747 B2	6/2012	Pruchnicki	8,757,696 B2	6/2014	Schneider
8,210,353 B2	7/2012	Epicureo	D709,336 S	7/2014	Liebenthal
8,214,972 B2	7/2012	Lai	D709,696 S	7/2014	Wu
D664,891 S	8/2012	Takeda	8,763,848 B2	7/2014	Carey
D665,166 S	8/2012	Khalifa et al.	8,763,851 B2	7/2014	Jiang et al.
D666,002 S	8/2012	Lai	8,770,426 B2	7/2014	Arnett et al.
8,245,868 B2	8/2012	Ikeda et al.	8,777,045 B2	7/2014	Mitchell et al.
8,251,113 B2	8/2012	Baxter	D710,099 S	8/2014	Horovitz et al.
8,251,245 B2	8/2012	DiPietro et al.	D710,610 S	8/2014	Sijmons et al.
D666,831 S	9/2012	Kinsky et al.	D710,614 S	8/2014	Meersschaert
D666,832 S	9/2012	Kinsky et al.	D711,104 S	8/2014	Lai
D667,697 S	9/2012	Shah	D711,646 S	8/2014	Ke
8,256,156 B1	9/2012	Burgoyne, Jr.	D711,647 S	8/2014	Chen
D668,049 S	10/2012	Buller	D711,648 S	8/2014	Chen
8,286,828 B2	10/2012	Schafer	D711,649 S	8/2014	Chen
8,287,009 B2	10/2012	Dane et al.	D712,143 S	9/2014	Chehebar
8,292,119 B2	10/2012	Kenneally	D714,056 S	9/2014	Weng
8,297,464 B2	10/2012	Grenier et al.	D714,057 S	9/2014	Hou
D670,502 S	11/2012	Wu	D714,064 S	9/2014	Kim
D673,024 S	12/2012	Caffin et al.	8,844,749 B2	9/2014	Manahan et al.
8,328,247 B2	12/2012	Tonelli	8,844,950 B2	9/2014	Greene et al.
8,336,708 B2	12/2012	Potterfield et al.	8,850,666 B2	10/2014	Hasegawa et al.
D674,192 S	1/2013	Li	8,851,282 B2	10/2014	Brunner
8,342,580 B2	1/2013	Cowie et al.	8,851,289 B2	10/2014	Shi
8,378,323 B1	2/2013	Spann et al.	8,857,654 B2	10/2014	Mogil et al.
8,382,171 B2	2/2013	Williams	8,863,975 B2	10/2014	McCanless
D677,896 S	3/2013	Wu	8,864,185 B2	10/2014	Do
D678,749 S	3/2013	Tung	8,864,189 B2	10/2014	Fournie et al.
D678,750 S	3/2013	Tung	D717,152 S	11/2014	Weinerman et al.
8,424,930 B2	4/2013	Matsubara et al.	D718,051 S	11/2014	Frahm et al.
8,430,284 B2	4/2013	Broadbent et al.	8,875,877 B2	11/2014	Cottle et al.
D681,337 S	5/2013	Wu	8,875,888 B2	11/2014	Koenig et al.
8,459,058 B2	6/2013	Mogil	8,875,934 B2	11/2014	Deka
8,459,422 B1	6/2013	Efron	8,881,930 B2	11/2014	Banik
8,459,487 B2	6/2013	Sharma et al.	8,887,515 B2	11/2014	Patstone
8,459,495 B2	6/2013	Koenig et al.	D718,936 S	12/2014	Sanz et al.
D685,186 S	7/2013	Massaud	D719,351 S	12/2014	Hailwood
8,474,098 B1	7/2013	Yang	8,905,412 B2	12/2014	Fux
8,484,813 B2	7/2013	Taniguchi et al.	8,910,788 B2	12/2014	Roach et al.
8,490,413 B2	7/2013	Blackway et al.	8,910,819 B2	12/2014	Seiders
8,496,133 B2	7/2013	Mizukoshi et al.	8,919,596 B2	12/2014	Carino
D688,589 S	8/2013	Hung et al.	D720,599 S	1/2015	Weinerman et al.
8,505,729 B2	8/2013	Sosnovsky et al.	D720,928 S	1/2015	Roncato
8,517,211 B2	8/2013	Brown et al.	8,925,752 B2	1/2015	Smith
D688,920 S	9/2013	Manley et al.	D722,771 S	2/2015	Wu
D691,808 S	10/2013	Wu	D722,860 S	2/2015	Linares
			8,944,476 B1	2/2015	Henderson
			8,960,430 B2	2/2015	Roach et al.
			8,960,735 B2	2/2015	Michael et al.
			D723,806 S	3/2015	Salmon

(56)

References Cited

U.S. PATENT DOCUMENTS

D724,323 S	3/2015	Wang	D759,971 S	6/2016	Riddiford et al.
8,979,100 B2	3/2015	Bensman et al.	9,359,798 B2	6/2016	Greenwood et al.
8,979,101 B2	3/2015	Primiano	9,376,050 B1	6/2016	Gill
8,979,144 B2	3/2015	Paugh et al.	9,387,963 B2	7/2016	McBroom et al.
8,985,326 B2	3/2015	Halsne et al.	9,393,684 B2	7/2016	Christopher et al.
8,985,385 B2	3/2015	Parker et al.	D762,471 S	8/2016	Green et al.
D725,907 S	4/2015	Yu	D762,977 S	8/2016	Xu
D727,620 S	4/2015	Tonelli	9,408,449 B1	8/2016	Tsai
9,004,274 B2	4/2015	Berg	9,415,787 B2	8/2016	Mericle
9,004,548 B2	4/2015	Joret et al.	9,427,058 B2	8/2016	Boglione
D728,933 S	5/2015	Sanz et al.	D765,397 S	9/2016	Reinhart
D730,050 S	5/2015	Hogan et al.	D765,406 S	9/2016	Faibish
9,027,751 B2	5/2015	Lee	D765,407 S	9/2016	Reinhart
D730,716 S	6/2015	Weinerman et al.	D765,408 S	9/2016	Reinhart
D731,250 S	6/2015	Butler et al.	D765,409 S	9/2016	Reinhart
D732,348 S	6/2015	Seiders et al.	D765,410 S	9/2016	Reinhart
D732,349 S	6/2015	Seiders et al.	D765,411 S	9/2016	Reinhart
D732,350 S	6/2015	Seiders et al.	D765,973 S	9/2016	Tonelli et al.
D732,823 S	6/2015	Baron	D767,277 S	9/2016	Faibish
D732,899 S	6/2015	Seiders et al.	9,435,578 B2	9/2016	Calderon et al.
D732,923 S	6/2015	Rechberg et al.	9,443,366 B2	9/2016	Rayner
9,045,264 B2	6/2015	Pils	D768,464 S	10/2016	Hatton
9,060,577 B2	6/2015	Farrelly et al.	D768,985 S *	10/2016	Morszeck ..... D3/279
9,067,081 B2	6/2015	Roach et al.	9,468,277 B2	10/2016	King
D734,742 S	7/2015	Fujioka	D770,179 S	11/2016	Menirom
9,079,595 B2	7/2015	Chen et al.	D771,381 S	11/2016	Sosnovsky et al.
9,085,403 B2	7/2015	Roach et al.	D772,577 S	11/2016	Muchin et al.
9,101,186 B2	8/2015	Lai	D773,821 S	12/2016	Reinhart
9,108,772 B2	8/2015	Hovatter	D773,901 S	12/2016	Marret
9,113,686 B1	8/2015	Bishop	9,511,491 B2	12/2016	Brunner
9,114,909 B2	8/2015	Wagner	D776,932 S	1/2017	Reinhart
D738,702 S	9/2015	Linares	D776,934 S	1/2017	Braendle
9,139,352 B2	9/2015	Seiders et al.	D777,441 S	1/2017	Li
D740,557 S	10/2015	Liao	D777,530 S	1/2017	Marret
D740,558 S	10/2015	Liao	D778,054 S	2/2017	Li
D741,600 S	10/2015	Della Vecchia	D778,707 S	2/2017	Tonelli
9,163,871 B1	10/2015	Costello	D779,201 S	2/2017	Beilman et al.
9,169,678 B2	10/2015	Rozema	9,566,704 B1	2/2017	Stoikos et al.
D743,171 S	11/2015	Reinhart	9,567,784 B2	2/2017	Defrance et al.
9,187,210 B2	11/2015	Zhu et al.	D780,523 S	3/2017	Jacobsen
9,193,060 B2	11/2015	Ben-Gigi	D780,524 S	3/2017	Jacobsen
D744,750 S	12/2015	Sabbag et al.	D780,525 S	3/2017	Jacobsen
9,198,492 B2	12/2015	Chehebar	D784,017 S	4/2017	Hsieh
9,199,370 B2	12/2015	Crull	9,622,547 B2	4/2017	Seader
9,199,657 B2	12/2015	Martin	D785,937 S	5/2017	Morszeck
9,204,699 B2	12/2015	Pickens et al.	D786,561 S	5/2017	Seiders et al.
9,205,551 B2	12/2015	Green et al.	9,637,294 B2	5/2017	Kinsky
9,211,040 B2	12/2015	Lane	9,655,418 B2	5/2017	Chien et al.
9,215,918 B2	12/2015	Kao et al.	D788,460 S	6/2017	Morszeck
D747,639 S	1/2016	Linares	D788,461 S	6/2017	Tonelli
D747,950 S	1/2016	Jacobsen et al.	D789,766 S	6/2017	Todd, Jr. et al.
D747,951 S	1/2016	Jacobsen et al.	9,669,986 B1	6/2017	Evans
9,233,465 B2	1/2016	Lai	D791,477 S	7/2017	Liu
D748,452 S	2/2016	Jacobsen et al.	D792,094 S	7/2017	Stoikos et al.
9,248,566 B2	2/2016	Horiyama et al.	D792,105 S	7/2017	Reinhart
9,254,901 B2	2/2016	Gill	D792,708 S *	7/2017	Tazawa ..... D3/276
9,259,090 B1	2/2016	Cronin	D793,089 S	8/2017	Jackson
9,259,593 B2	2/2016	Roach et al.	D796,199 S	9/2017	Law
9,259,828 B2	2/2016	Bermes	D796,838 S	9/2017	Sijmons et al.
9,266,462 B2	2/2016	Miller	9,770,084 B1	9/2017	Shiekh
D750,953 S	3/2016	Jacobsen et al.	D802,924 S	11/2017	Mahanavanont
D752,344 S	3/2016	Green	9,809,376 B2	11/2017	Mitchell et al.
9,272,820 B2	3/2016	Cowie	D804,174 S *	12/2017	Morszeck ..... D3/279
9,278,704 B2	3/2016	Cates	D804,818 S	12/2017	Sadler
9,290,297 B2	3/2016	Overath	D804,819 S	12/2017	Faibish et al.
D752,862 S	4/2016	Riddiford et al.	D805,772 S *	12/2017	Oshima ..... D3/279
9,307,840 B2	4/2016	Restrepo et al.	D805,851 S	12/2017	Sullivan et al.
9,322,192 B2	4/2016	Burd	9,839,272 B2	12/2017	Licciardino
D755,518 S	5/2016	Sijmons	9,848,681 B1	12/2017	Chen
9,327,887 B2	5/2016	Farentinos et al.	9,849,901 B2	12/2017	Jackman
9,340,224 B2	5/2016	Yoder et al.	D806,483 S	1/2018	Stanford et al.
9,341,003 B2	5/2016	Ely et al.	D807,123 S	1/2018	Carey et al.
9,341,403 B2	5/2016	Conrad et al.	D807,124 S	1/2018	Carey et al.
9,346,616 B2	5/2016	Foster	D808,164 S	1/2018	Summers
9,351,550 B2	5/2016	Arthur et al.	D808,653 S	1/2018	Rayeski et al.
			D808,655 S	1/2018	Seiders et al.
			D808,730 S	1/2018	Sullivan et al.
			9,878,841 B2	1/2018	Holderness et al.
			D809,293 S	2/2018	Virassamy et al.

(56)

References Cited

U.S. PATENT DOCUMENTS

D809,295 S	2/2018	Ehret	D848,222 S	5/2019	Munie et al.
D810,432 S	2/2018	Ballou et al.	D848,223 S	5/2019	Munie et al.
D810,433 S	2/2018	Ballou et al.	D848,744 S	5/2019	Axelbaum
D810,434 S *	2/2018	Xu ..... D3/279	D848,798 S	5/2019	Munie et al.
D811,084 S	2/2018	Ballou et al.	D849,486 S	5/2019	Munie et al.
D811,090 S	2/2018	Karl	10,292,473 B2	5/2019	Meersschaert
9,883,724 B2	2/2018	Woode	D850,796 S	6/2019	Ricca
9,894,971 B2	2/2018	Sciicluna et al.	D851,401 S	6/2019	Zhang
9,901,153 B2	2/2018	Nash	10,314,377 B2	6/2019	Stephens
D811,742 S	3/2018	Ballou et al.	D852,504 S	7/2019	Ben-David
D811,744 S	3/2018	Ballou et al.	D853,729 S	7/2019	Axelbaum
D812,909 S	3/2018	Morszeck	D854,826 S	7/2019	Tonelli
9,913,518 B2	3/2018	Su	10,334,935 B2	7/2019	Chung
D814,187 S	4/2018	Caglar	10,350,746 B2	7/2019	Martinez et al.
D815,831 S	4/2018	Tonelli	10,351,330 B2	7/2019	Smith et al.
D815,919 S	4/2018	DeFrancia	10,357,874 B2	7/2019	Engvall et al.
D816,337 S	5/2018	Cheng	D857,386 S	8/2019	Shpitzer
D816,492 S	5/2018	Reinhart	10,376,031 B1	8/2019	Majhess
D817,722 S	5/2018	Bradley	10,378,569 B2	8/2019	Jensen et al.
D818,712 S	5/2018	Fleming et al.	D858,986 S	9/2019	Shalgi
9,968,170 B2	5/2018	Morszeck	D859,842 S	9/2019	Frank
D819,331 S	6/2018	Ballou et al.	10,399,748 B2	9/2019	Reinhart
D820,049 S	6/2018	Ahlstrom et al.	10,401,075 B2	9/2019	Bond
9,999,284 B1	6/2018	Tan	D861,535 S	10/2019	Venables
D821,824 S	7/2018	Rane et al.	10,443,918 B2	10/2019	Li et al.
D821,825 S	7/2018	Sullivan et al.	D869,160 S	12/2019	Seiders et al.
D824,168 S	7/2018	Morszeck	D869,244 S	12/2019	Ellison et al.
10,028,561 B2	7/2018	Vecellio	D869,848 S	12/2019	Wu
D824,731 S	8/2018	Sullivan et al.	D871,767 S	1/2020	Harrison
10,058,151 B2	8/2018	Morszeck	D872,478 S	1/2020	Seiders et al.
D827,304 S	9/2018	Tao	D872,485 S	1/2020	Seiders et al.
D828,028 S	9/2018	Seiders et al.	D873,020 S	1/2020	Seiders et al.
D828,029 S	9/2018	Seiders et al.	D873,024 S	1/2020	Usui
D828,112 S	9/2018	Furneaux et al.	D874,139 S *	2/2020	Rubio ..... D3/279
D829,244 S	9/2018	Sullivan et al.	10,568,395 B2	2/2020	Hayashi
10,080,412 B2	9/2018	Hartmann et al.	10,568,400 B2	2/2020	Shechter et al.
D830,132 S	10/2018	Sullivan et al.	D876,833 S	3/2020	Brunner et al.
D830,133 S	10/2018	Sullivan et al.	D878,054 S	3/2020	Reinhart et al.
D830,134 S	10/2018	Sullivan et al.	10,595,608 B2	3/2020	Korey et al.
10,086,745 B2	10/2018	Gill	D881,569 S *	4/2020	Rubio ..... D3/279
10,088,144 B1	10/2018	Sandberg	D881,578 S	4/2020	Prommel et al.
D832,653 S	11/2018	Waskow et al.	D882,266 S	4/2020	Prommel et al.
10,124,742 B2	11/2018	Martinez et al.	D882,267 S	4/2020	Prommel et al.
10,138,048 B2	11/2018	Mitchell et al.	D899,083 S	10/2020	Rubio et al.
D834,819 S	12/2018	Burek et al.	D909,062 S *	2/2021	Qian ..... D3/279
D835,470 S	12/2018	Seiders et al.	D912,983 S	3/2021	Newson
D835,472 S	12/2018	Seiders et al.	D915,069 S	4/2021	Tonelli
D835,473 S	12/2018	Jacobsen	D925,911 S *	7/2021	Sun ..... D3/279
D835,946 S	12/2018	Seiders et al.	2002/0024189 A1	2/2002	Chen
10,143,282 B2	12/2018	Seiders et al.	2002/0038745 A1	4/2002	Lamming
10,159,312 B2	12/2018	Ito	2002/0074332 A1	6/2002	Sagol
10,160,471 B2	12/2018	Yahav et al.	2002/0148694 A1	10/2002	Tong
D836,993 S	1/2019	Meda et al.	2002/0162841 A1	11/2002	Shamir et al.
D836,996 S	1/2019	Jacobsen	2002/0185871 A1	12/2002	Straka
D836,997 S	1/2019	Jacobsen	2002/0195827 A1	12/2002	Jackson et al.
D836,998 S	1/2019	Jacobsen	2003/0019705 A1	1/2003	Lau
D836,999 S	1/2019	Jacobsen	2003/0038007 A1	2/2003	Han
D837,001 S	1/2019	Jacobsen	2003/0038142 A1	2/2003	Gee
D837,515 S	1/2019	Shpitzer	2003/0106821 A1	6/2003	Bar-Erez
D837,611 S	1/2019	Lane et al.	2003/0111476 A1	6/2003	Serio
D838,208 S	1/2019	Hirabayashi et al.	2003/0136702 A1	7/2003	Redzisz et al.
D838,983 S	1/2019	Seiders et al.	2004/0007604 A1	1/2004	Plzak
D838,984 S	1/2019	Seiders et al.	2004/0016854 A1	1/2004	Hart
D839,094 S	1/2019	Giraud et al.	2004/0025306 A1	2/2004	Coffey
D839,682 S	2/2019	Jacobsen	2004/0040967 A1	3/2004	Eiskant et al.
D840,150 S	2/2019	Seiders et al.	2004/0163910 A1	8/2004	Lee
D840,194 S	2/2019	Furneaux et al.	2004/0178208 A1	9/2004	Leba et al.
D842,048 S	3/2019	Wells	2004/0246695 A1	12/2004	Schlack
D843,114 S	3/2019	Sanz	2005/0023096 A1	2/2005	Tiramani
10,219,601 B2	3/2019	Selvi	2005/0099019 A1	5/2005	Hall et al.
D844,325 S	4/2019	Nelson	2005/0103813 A1	5/2005	Edwards
10,272,934 B2	4/2019	DeFrancia	2005/0139741 A1	6/2005	Yuen
D848,219 S	5/2019	Munie et al.	2005/0150892 A1	7/2005	Miller
D848,220 S	5/2019	Munie et al.	2005/0180835 A1	8/2005	Schneider
D848,221 S	5/2019	Munie et al.	2005/0199628 A1	9/2005	Van Handel et al.
			2005/0217071 A1	10/2005	Shinner
			2005/0258610 A1	11/2005	Stone et al.
			2005/0279123 A1	12/2005	Maldonado et al.
			2006/0011641 A1	1/2006	Sanderson

(56)

References Cited

U.S. PATENT DOCUMENTS

2006/0017293	A1	1/2006	Tonelli	2012/0267208	A1	10/2012	D'Angelo
2006/0037178	A1	2/2006	Sulhoff	2012/0273506	A1	11/2012	Adams et al.
2006/0037824	A1	2/2006	Park et al.	2012/0286489	A1	11/2012	Bartholomew
2006/0042897	A1	3/2006	Sanderson	2012/0312708	A1	12/2012	Roehm et al.
2006/0049640	A1	3/2006	Lee	2013/0068579	A1	3/2013	Mathieu et al.
2006/0180422	A1	8/2006	Lin	2013/0140120	A1	6/2013	Rasmussen
2006/0196218	A1	9/2006	Mogil et al.	2013/0168196	A1	7/2013	Stanley
2006/0213736	A1	9/2006	Godshaw	2013/0175130	A1	7/2013	Liang
2006/0213941	A1	9/2006	Sweeney	2013/0175276	A1	7/2013	Gleichauf et al.
2006/0225981	A1	10/2006	Lin	2013/0248390	A1	9/2013	Roehm et al.
2006/0249412	A1	11/2006	Hernandez et al.	2013/0292220	A1	11/2013	Kerley
2006/0249522	A1	11/2006	Ringo	2013/0292221	A1	11/2013	Ryan et al.
2006/0276768	A1	12/2006	Miller et al.	2013/0307214	A1	11/2013	Groller et al.
2007/0039957	A1	2/2007	Shulz et al.	2013/0313058	A1*	11/2013	Yoshida ..... A45C 13/262 190/18 A
2007/0101754	A1	5/2007	Maldonado	2014/0027454	A1	1/2014	Banik
2007/0175898	A1	8/2007	Craft et al.	2014/0062042	A1	3/2014	Wagner et al.
2007/0235452	A1	10/2007	Killinger et al.	2014/0069832	A1	3/2014	Roehm
2007/0261977	A1	11/2007	Sakai	2014/0130310	A1	5/2014	Roth
2008/0001373	A1	1/2008	Vaughn	2014/0137370	A1	5/2014	Lo et al.
2008/0029528	A1	2/2008	Mireault	2014/0138384	A1	5/2014	O'Brien
2008/0042460	A1	2/2008	Fuchs	2014/0151388	A1	6/2014	Culeron et al.
2008/0067095	A1	3/2008	Mueller	2014/0158028	A1	6/2014	Adams
2008/0067206	A1	3/2008	Kuhn	2014/0166516	A1	6/2014	Martinez et al.
2008/0078637	A1	4/2008	Su	2014/0197059	A1	7/2014	Evans et al.
2008/0078682	A1	4/2008	Clark et al.	2014/0251864	A1	9/2014	Voeller
2008/0110892	A1	5/2008	House	2014/0252010	A1	9/2014	Miller
2008/0116215	A1	5/2008	Chuang	2014/0265197	A1	9/2014	Russell et al.
2008/0156858	A1	7/2008	Perry et al.	2014/0271095	A1	9/2014	Umans et al.
2008/0170388	A1	7/2008	Greil	2014/0284158	A1	9/2014	Reid
2008/0190940	A1	8/2008	Scott	2014/0284243	A1	9/2014	Tucker
2008/0196650	A1	8/2008	Fernung	2014/0311361	A1	10/2014	Wangler
2008/0230339	A1	9/2008	Pereira	2014/0311844	A1	10/2014	Meersschaert et al.
2008/0245095	A1	10/2008	Schlipman et al.	2014/0319147	A1	10/2014	Horovitz et al.
2008/0257775	A1	10/2008	Randolph	2015/0021132	A1	1/2015	Sijmons et al.
2008/0264946	A1	10/2008	Moschella et al.	2015/0027835	A1	1/2015	Moon
2009/0009039	A1	1/2009	Mayes, Jr.	2015/0034515	A1	2/2015	Monyak et al.
2009/0014974	A1	1/2009	VanVorst et al.	2015/0069962	A1	3/2015	Dietzel et al.
2009/0049859	A1	2/2009	Moon	2015/0089903	A1	4/2015	Carey
2009/0078593	A1	3/2009	Patstone	2015/0090551	A1	4/2015	Sikka
2009/0080809	A1	3/2009	Pham et al.	2015/0114024	A1	4/2015	Grepper
2009/0101460	A1	4/2009	Justham et al.	2015/0129569	A1	5/2015	Miller
2009/0114646	A1	5/2009	Whalen	2015/0150347	A1	6/2015	Scicluna
2009/0114653	A1	5/2009	Schenker	2015/0150348	A1	6/2015	Wax
2009/0158770	A1	6/2009	Cohrs et al.	2015/0175338	A1	6/2015	Culp et al.
2009/0173744	A1	7/2009	Hassell	2015/0189963	A1	7/2015	Lai et al.
2009/0194541	A1	8/2009	Mayo	2015/0190920	A1	7/2015	Karlsson et al.
2009/0277905	A1	11/2009	Gillan	2015/0208779	A1	7/2015	Tong
2010/0072215	A1	3/2010	Coon	2015/0209226	A1	7/2015	Priebe et al.
2010/0078451	A1	4/2010	Mount	2015/0233630	A1	8/2015	Bond
2010/0108556	A1	5/2010	Claffy	2015/0292840	A1	10/2015	Tobin
2010/0133132	A1	6/2010	Allan	2015/0296945	A1	10/2015	Douglas
2010/0200784	A1	8/2010	Turner	2015/0296948	A1	10/2015	Kung
2010/0258576	A1	10/2010	Marquez	2015/0315532	A1	11/2015	Bergbohm et al.
2010/0275642	A1	11/2010	Klettner	2015/0352709	A1	12/2015	Diamond
2011/0016911	A1	1/2011	Mosby	2015/0375558	A1	12/2015	Ben-Or
2011/0064332	A1	3/2011	Piazza et al.	2015/0375918	A1	12/2015	Holderness et al.
2011/0114526	A1	5/2011	Neumann et al.	2016/0023837	A1	1/2016	Furneaux et al.
2011/0119986	A1	5/2011	Sellers	2016/0046417	A1	2/2016	Kromer
2011/0121002	A1	5/2011	Stiller	2016/0052682	A1	2/2016	Gunnerson et al.
2011/0127264	A1	6/2011	Whalen	2016/0083186	A1	3/2016	Wright
2011/0132046	A1	6/2011	Tonelli	2016/0084454	A1	3/2016	Svitak, Sr. et al.
2011/0181008	A1	7/2011	Bensman et al.	2016/0091239	A1	3/2016	Beland
2011/0182532	A1	7/2011	Baltus	2016/0135563	A1	5/2016	Truong
2011/0186396	A1	8/2011	Sheikh	2016/0138809	A1	5/2016	Colucci et al.
2011/0186398	A1	8/2011	Sheikh	2016/0150862	A1	6/2016	Tonelli
2011/0197625	A1	8/2011	Urban et al.	2016/0166024	A1	6/2016	Lai
2011/0203328	A1	8/2011	Vilkomirski et al.	2016/0183651	A1	6/2016	Tonelli
2011/0220531	A1	9/2011	Meether et al.	2016/0244209	A1	8/2016	Hain
2011/0226003	A1	9/2011	Chaney et al.	2016/0251124	A1	9/2016	Arnold et al.
2011/0226785	A1	9/2011	Sakell	2016/0279840	A1	9/2016	French et al.
2012/0024896	A1	2/2012	Scobey et al.	2017/0079398	A1	3/2017	Reh et al.
2012/0103740	A1	5/2012	Moussatche et al.	2017/0082342	A1	3/2017	Weinberg et al.
2012/0104012	A1	5/2012	Cowie et al.	2017/0127782	A1	5/2017	Korey et al.
2012/0168444	A1	7/2012	Shitrit et al.	2017/0165829	A1	6/2017	Damberg
2012/0193353	A1	8/2012	Cronin et al.	2017/0173781	A1	6/2017	Damberg
				2017/0196332	A1	7/2017	Tong
				2017/0215537	A1	8/2017	Yu
				2017/0290400	A1	10/2017	Thomas



(56)

References Cited

U.S. PATENT DOCUMENTS

2017/0347765 A1 12/2017 Jackson et al.  
 2018/0035774 A1 2/2018 Pelatti  
 2018/0035775 A1 2/2018 Haimoff  
 2018/0078008 A1 3/2018 Sturm  
 2018/0087819 A1 3/2018 Triska et al.  
 2018/0141718 A1 5/2018 Ahlstrom et al.  
 2018/0325230 A1\* 11/2018 Morszeck ..... A45C 13/04  
 2018/0339820 A1 11/2018 Reinhart et al.  
 2018/0354687 A1 12/2018 Seiders et al.  
 2019/0008254 A1 1/2019 Newson  
 2019/0092530 A1 3/2019 Seiders et al.  
 2019/0170422 A1 6/2019 Dexter  
 2019/0234671 A1 8/2019 Stanford et al.  
 2019/0256119 A1 8/2019 Brilhante et al.  
 2019/0271433 A1 9/2019 Tonelli  
 2020/0037719 A1 2/2020 Jaworski et al.  
 2020/0039056 A1 2/2020 Damberg  
 2020/0060400 A1 2/2020 Glaser  
 2020/0061802 A1 2/2020 Samsel et al.  
 2020/0062454 A1 2/2020 Duong et al.  
 2020/0086905 A1 3/2020 Yao et al.

FOREIGN PATENT DOCUMENTS

BR 202015031355 U2 6/2017  
 CA 60997 A 8/1898  
 CA 72336 A 7/1901  
 CA 72337 A 7/1901  
 CA 72338 A 7/1901  
 CA 73327 A 10/1901  
 CA 77273 A 9/1902  
 CA 81456 A 6/1903  
 CA 152411 A 12/1913  
 CA 175930 A 3/1917  
 CA 175939 A 3/1917  
 CA 2624994 A1 5/2000  
 CA 89737 A 6/2000  
 CA 2483772 A1 4/2005  
 CA 2633223 A1 12/2009  
 CA 2635328 A1 12/2009  
 CA 2782668 A1 12/2013  
 CH 365631 A 11/1962  
 CN 2073459 U 3/1991  
 CN 2132145 Y 5/1993  
 CN 1112819 A 12/1995  
 CN 2515999 Y 10/2002  
 CN 2549792 Y 5/2003  
 CN 1457237 A 11/2003  
 CN 2664452 Y 12/2004  
 CN 3498732 1/2006  
 CN 3498735 1/2006  
 CN 2813823 Y 9/2006  
 CN 300690540 9/2007  
 CN 300690541 9/2007  
 CN 201076126 Y 6/2008  
 CN 300854008 12/2008  
 CN 300856959 12/2008  
 CN 300918117 5/2009  
 CN 301150817 3/2010  
 CN 301189065 5/2010  
 CN 201691232 U 1/2011  
 CN 301548656 5/2011  
 CN 301620134 7/2011  
 CN 201919912 U 8/2011  
 CN 201938601 U 8/2011  
 CN 301711528 11/2011  
 CN 301808188 1/2012  
 CN 301950501 6/2012  
 CN 102626271 A 8/2012  
 CN 302115731 10/2012  
 CN 102805467 A 12/2012  
 CN 202722894 U 2/2013  
 CN 102948946 A 3/2013  
 CN 202760445 U 3/2013  
 CN 302365993 3/2013

CN 202874104 U 4/2013  
 CN 302425923 5/2013  
 CN 302448361 6/2013  
 CN 203182247 U 9/2013  
 CN 203283617 U 11/2013  
 CN 302631183 11/2013  
 CN 203439475 U 2/2014  
 CN 302811286 5/2014  
 CN 302868078 7/2014  
 CN 203789329 U 8/2014  
 CN 203814784 U 9/2014  
 CN 204032607 U 12/2014  
 CN 104433073 A 3/2015  
 CN 204245396 U 4/2015  
 CN 303154464 4/2015  
 CN 303186110 4/2015  
 CN 303221245 5/2015  
 CN 204409860 U 6/2015  
 CN 303228513 6/2015  
 CN 303228514 6/2015  
 CN 303242426 6/2015  
 CN 303251869 6/2015  
 CN 303324038 8/2015  
 CN 303333672 8/2015  
 CN 201530103483 8/2015  
 CN 303381343 9/2015  
 CN 303390870 9/2015  
 CN 303499903 12/2015  
 CN 303514839 \* 12/2015  
 CN 303546215 1/2016  
 CN 201530438676 2/2016  
 CN 201530438792 2/2016  
 CN 303630971 4/2016  
 CN 303680031 5/2016  
 CN 303680054 5/2016  
 CN 303687108 6/2016  
 CN 205521292 U 8/2016  
 CN 303783877 8/2016  
 CN 303799176 8/2016  
 CN 201630123602 8/2016  
 CN 303904119 11/2016  
 CN 303918135 11/2016  
 CN 205831341 U 12/2016  
 CN 303973165 12/2016  
 CN 303982382 12/2016  
 CN 303982387 12/2016  
 CN 304000494 1/2017  
 CN 304036742 2/2017  
 CN 304036750 2/2017  
 CN 304050612 2/2017  
 CN 304068469 3/2017  
 CN 304076890 3/2017  
 CN 106551485 A 4/2017  
 CN 304172638 6/2017  
 CN 107125891 A 9/2017  
 CN 107173938 A 9/2017  
 CN 107307551 A 11/2017  
 CN 107467837 A 12/2017  
 CN 206702967 U 12/2017  
 CN 304411334 12/2017  
 CN 304411336 12/2017  
 CN 304411337 12/2017  
 CN 304411389 12/2017  
 CN 304417314 12/2017  
 CN 304423206 12/2017  
 CN 304423258 12/2017  
 CN 304423259 12/2017  
 CN 304423260 12/2017  
 CN 304423317 12/2017  
 CN 206880270 U 1/2018  
 CN 304461798 1/2018  
 CN 107668874 A 2/2018  
 CN 304532315 3/2018  
 CN 304532317 3/2018  
 CN 304532318 3/2018  
 CN 304532319 3/2018  
 CN 304539046 3/2018  
 CN 304555895 3/2018  
 CN 304562598 4/2018

(56)

## References Cited

FOREIGN PATENT DOCUMENTS					
CN	304569073	4/2018	CN	305499080	12/2019
CN	304569074	4/2018	CN	305506675	* 12/2019
CN	108078109 A	5/2018	CN	305518862	12/2019
CN	304645055	5/2018	CN	209931762 U	1/2020
CN	207428627 U	6/2018	CN	209965461 U	1/2020
CN	304653754	6/2018	CN	305527333	1/2020
CN	304660325	6/2018	CN	305533439	1/2020
CN	304660327	6/2018	CN	305533533	1/2020
CN	304660329	6/2018	CN	305533534	1/2020
CN	304660332	6/2018	CN	305533538	1/2020
CN	304692146	6/2018	CN	305533539	1/2020
CN	304701684	6/2018	CN	305540311	1/2020
CN	304749390	7/2018	CN	305547763	1/2020
CN	304764980	8/2018	CN	305547764	1/2020
CN	108497660 A	9/2018	CN	305547961	1/2020
CN	304823685	9/2018	CN	305556652	1/2020
CN	304823694	9/2018	CN	305563596	1/2020
CN	108608804 A	10/2018	CN	305571758	1/2020
CN	207949211 U	10/2018	CN	305571764	1/2020
CN	304836888	10/2018	CN	305577923	1/2020
CN	304854893	10/2018	CN	305577960	1/2020
CN	304862165	10/2018	CN	305578103	1/2020
CN	304862166	10/2018	CN	210076793 U	2/2020
CN	108741519 A	11/2018	CN	210114130 U	2/2020
CN	108783799 A	11/2018	CN	305584094	2/2020
CN	108835813 A	11/2018	CN	305584095	2/2020
CN	108835814 A	11/2018	CN	305584098	2/2020
CN	304877452	11/2018	CN	305605578	2/2020
CN	304900938	11/2018	CN	305614805	2/2020
CN	108945792 A	12/2018	CN	305621592	2/2020
CN	109043770 A	12/2018	CN	305621593	2/2020
CN	208192442 U	12/2018	CN	305629332	2/2020
CN	208192487 U	12/2018	CN	305629332	2/2020
CN	304970790	1/2019	CN	305635594	3/2020
CN	304995265	1/2019	CN	305636583	3/2020
CN	305641119	1/2019	CN	305639489	3/2020
CN	109303399 A	2/2019	CN	305642338	3/2020
CN	305019548	2/2019	CN	305642339	3/2020
CN	109431028 A	3/2019	CN	305642418	3/2020
CN	109497673 A	3/2019	CN	305748162	* 5/2020
CN	208581902 U	3/2019	CN	305873337	* 6/2020
CN	305050777	3/2019	DE	74708 C	4/1894
CN	305078423	3/2019	DE	2020368 A1	11/1971
CN	305078424	3/2019	DE	7502524 U	9/1975
CN	305111950	4/2019	DE	2939826 A1	4/1980
CN	305181543	5/2019	DE	3344410 A1	6/1985
CN	305181544	5/2019	DE	8620597 U1	9/1986
CN	305184266	5/2019	DE	9012845 U1	10/1990
CN	305184268	5/2019	DE	4042245 A1	7/1991
CN	305191726	6/2019	DE	9105033 U1	3/1992
CN	305219344	6/2019	DE	9408707 U1	9/1995
CN	305242412	7/2019	DE	29516306 U1	2/1997
CN	305242413	7/2019	DE	29815666 U1	11/1998
CN	305283238	8/2019	DE	19755532 A1	6/1999
CN	209403814 U	9/2019	DE	20312950 U1	10/2003
CN	305344781 *	9/2019	DE	20313077 U1	1/2004
CN	305347993	9/2019	DE	202004007996 U1	7/2004
CN	305359134	9/2019	DE	202004015475 U1	1/2005
CN	305359135	9/2019	DE	202004016959 U1	2/2005
CN	209528183 U	10/2019	DE	202005006105 U1	6/2005
CN	305398498	10/2019	DE	202005014773 U1	11/2005
CN	209563672 U	11/2019	DE	202006001888 U1	4/2006
CN	209628893 U	11/2019	DE	402010002800-0008	6/2010
CN	305424085	11/2019	DE	402010002800-0001	7/2010
CN	305424089	11/2019	DE	402010002800-0002	7/2010
CN	305437133	11/2019	DE	402010002800-0003	7/2010
CN	305437134	11/2019	DE	402010002800-0004	7/2010
CN	305437137	11/2019	DE	402010002800-0007	7/2010
CN	110605939 A	12/2019	DE	402010002800-0009	7/2010
CN	209719155 U	12/2019	DE	402010002800-0010	7/2010
CN	209719159 U	12/2019	DE	402010002800-0011	7/2010
CN	209732871 U	12/2019	DE	402010002800-0012	7/2010
CN	209788810 U	12/2019	DE	202012006671 U1	8/2012
CN	305476163	12/2019	DE	102012025617 A1	10/2013
CN	305488622	12/2019	DE	102013004590 A1	9/2014
			DE	102013114520 A1	6/2015
			DE	202016004315 U1	8/2016
			DE	202015106823 U1	3/2017
			DE	102017122609 A1	3/2019
			EM	000134804-0001	6/2004

(56)

## References Cited

FOREIGN PATENT DOCUMENTS			EP			
EM	001606468-0001	9/2009	EP	2745727	A2	6/2014
EM	001606468-0002	9/2009	EP	2826394	A1	1/2015
EM	001682428-0001	4/2010	EP	2829484	A1	1/2015
EM	001682428-0002	4/2010	EP	2829485	A1	1/2015
EM	001682428-0003	4/2010	EP	2904926	A1	8/2015
EM	001682428-0004	4/2010	EP	3013176	A1	5/2016
EM	001682428-0005	4/2010	EP	3027078	A1	6/2016
EM	001682428-0006	4/2010	EP	3073852	A1	10/2016
EM	001781865-0001	12/2010	EP	3216363	A1	9/2017
EM	001781865-0006	12/2010	EP	3351130	A1	7/2018
EM	001781865-0007	12/2010	EP	3403521	A1	11/2018
EM	001781865-0008	12/2010	EP	3581059	A1	12/2019
EM	001781899-0006	2/2011	FR	2179844	A1	11/1973
EM	001781899-0009	2/2011	FR	2223248	A1	10/1974
EM	002215897-0001	8/2013	FR	2638950	A1	5/1990
EM	002277574-0001	8/2013	FR	2689100	A1	10/1993
EM	002277574-0002	8/2013	FR	2711044	A1	4/1995
EM	002325209-0001	11/2013	FR	2712257	A1	5/1995
EM	002325209-0002	11/2013	FR	2809690	A1	12/2001
EM	002569467-0001	11/2014	FR	2870692	A1	12/2005
EM	002569467-0002	11/2014	FR	2912997	A1	8/2008
EM	002569467-0003	11/2014	GB	854540	A	11/1960
EM	002569467-0004	11/2014	GB	1041392	A	9/1966
EM	002576728-0013	11/2014	GB	2023550	A	1/1980
EM	002646935-0001	3/2015	GB	2023551	A	1/1980
EM	002978569-0001	2/2016	GB	2032814	A	5/1980
EM	003261668-0002	7/2016	GB	2047073	A	11/1980
EM	003743905-0006	2/2017	GB	2023549	A	9/1992
EM	004100048-0001	9/2017	GB	2278874	A	12/1994
EM	004100048-0002	9/2017	GB	2291042	A	1/1996
EM	004385409-0001	10/2017	GB	2045135	A	2/1996
EM	004168789-0001	11/2017	GB	2308803	A	7/1997
EM	004662039-0002	3/2018	GB	2289713	B	12/1997
EM	004662039-0003	3/2018	GB	2421713	A	7/2006
EM	005609583-0001	8/2018	GB	2438189	A	11/2007
EM	005625977-0006	9/2018	GB	2459111	A	10/2009
EM	005500311-0002	10/2018	GB	4036176		7/2014
EM	005500311-0003	10/2018	GB	4037039		10/2014
EM	005804747-0001	10/2018	GB	9005804-0001	*	10/2018
EM	005804762-0001	10/2018	GB	9006576138-0004		6/2019
EM	005804770-0001	10/2018	GB	90066075520006		7/2019
EM	005805140-0001	10/2018	GB	2575671	A	1/2020
EM	005805199-0001	10/2018	ID	D0000002662-0001		1/2003
EM	006453072-0001	5/2019	IL	55179	A	7/1981
EM	006618583-0001	10/2019	IN	266778		5/2015
EM	006618583-0002	10/2019	IN	266779-0001		5/2015
EM	006618583-0003	10/2019	IN	276720		2/2016
EM	006618583-0004	10/2019	JP	S57-150175	U	9/1982
EM	007064233-0002	11/2019	JP	S60-164570	A	8/1985
EM	007145461-0012	11/2019	JP	H03-066374	U	6/1991
EM	007449095-0001	1/2020	JP	H0574275	A	3/1993
EM	007576806-0001	2/2020	JP	H07-102842	A	4/1995
EM	007719141-0001	3/2020	JP	H08-093298	A	4/1996
EP	0069419	A1 1/1983	JP	2569734	B2	1/1997
EP	0530067	A1 3/1993	JP	2976179	B2	11/1999
EP	0587451	A1 3/1994	JP	2001-107621	A	4/2001
EP	0221215	B1 6/1995	JP	3177720	B2	6/2001
EP	0670791	A1 9/1995	JP	3197227	B2	8/2001
EP	1000865	A1 5/2000	JP	2001-262907	A	9/2001
EP	1059239	A1 12/2000	JP	3211023	B2	9/2001
EP	1080656	A1 3/2001	JP	D1121506		9/2001
EP	1442845	A1 8/2004	JP	3225244	B2	11/2001
EP	1475008	A1 11/2004	JP	D2001-10753		6/2002
EP	1880948	A2 1/2008	JP	D1193948		1/2004
EP	1921009	A1 5/2008	JP	2006122067	A	5/2006
EP	2024218	A2 2/2009	JP	D1312168		10/2007
EP	2107982	A1 10/2009	JP	D2007-16058		5/2008
EP	2236428	A1 10/2010	JP	D2007-16059		5/2008
EP	2330939	A1 6/2011	JP	D1338388		8/2008
EP	2344000	A1 7/2011	JP	D1382214		3/2010
EP	2387906	A1 11/2011	JP	D1382215		3/2010
EP	2412493	A2 2/2012	JP	D1397219		9/2010
EP	2441340	A1 4/2012	JP	D1397346		9/2010
EP	2522248	A1 11/2012	JP	D1408819		3/2011
EP	2543481	A1 1/2013	JP	D1408988		3/2011
			JP	2014184051	A	10/2014
			JP	6206200	B2	10/2017
			JP	6226662	B2	11/2017
			JP	2019119506	A	7/2019

(56)

## References Cited

## FOREIGN PATENT DOCUMENTS

KR	100395931	B1	8/2003
KR	3020030024985		9/2003
KR	200362331	Y1	9/2004
KR	20070101643	A	10/2007
KR	20070103598	A	10/2007
KR	3020070008850		12/2007
KR	300492699.0000		5/2008
KR	20090074289	A	7/2009
KR	100921297	B1	10/2009
KR	101267451	B1	5/2013
KR	300740505.0000		4/2014
KR	300831147.0000	*	12/2015
KR	300887228.0000		12/2016
KR	300908948.0000		6/2017
KR	300908949.0000		6/2017
KR	300915252.0000		7/2017
KR	20180037090	A	4/2018
KR	300968949.0000		8/2018
KR	300982867.0000		11/2018
KR	300983257.0000		12/2018
KR	300990244.0000		1/2019
KR	300990253.0000		1/2019
KR	300996066.0000		3/2019
KR	102054504	B1	12/2019
KR	301037245.0000		12/2019
KR	301037251.0000		12/2019
KR	301050842.0000		3/2020
KR	301541440002		4/2020
NL	7504291	A	10/1975
NL	8903105	A	7/1991
NL	1032860	C1	11/2006
RU	00100422	U1	12/2010
TR	201708307-0001		2/2018
TW	M310869	U	5/2007
WO	9400034	A1	1/1994
WO	D032061-005		4/1995
WO	D035637-003		2/1996
WO	D036648-008		6/1996
WO	9631140	A1	10/1996
WO	9748613	A1	12/1997
WO	0041937	A1	7/2000
WO	0168477	A1	9/2001
WO	02064445	A1	8/2002
WO	03041529	A1	5/2003
WO	2004076291	A2	9/2004
WO	2006019314	A1	2/2006
WO	2006037302	A1	4/2006
WO	2008001029	A1	1/2008
WO	2008034603	A1	3/2008
WO	2009028960	A1	3/2009
WO	2011035559	A1	3/2011
WO	2011135559	A1	11/2011
WO	2012000497	A1	1/2012
WO	2012029119	A1	3/2012
WO	D078390-004		11/2012
WO	2013014670	A1	1/2013
WO	D080557-001		4/2013
WO	2013126851	A1	8/2013
WO	2014131214	A1	9/2014
WO	2014193073	A1	12/2014
WO	2015040526		3/2015
WO	2015087357	A1	6/2015
WO	2016072912	A1	5/2016
WO	2016091570	A1	6/2016
WO	2017034992	A1	3/2017
WO	2017088278	A1	6/2017
WO	2017091899	A1	6/2017
WO	2017191628	A1	11/2017
WO	2017192694	A1	11/2017
WO	2018012675	A1	1/2018
WO	2018169478	A1	9/2018
WO	2019238228	A1	12/2019
WO	2020030766	A1	2/2020

## OTHER PUBLICATIONS

Amazon.ca, Site visited Dec. 27, 2021, Trolley Box Suitcase by Yadsheng, First available Sep. 23, 2019, <https://www.amazon.ca/Suitcase-Universal-Portable-Hardshell-Business/dp/B07Y7R8RN1> (Year: 2019).\*

Amazon.ca, Site visited Dec. 27, 2021, Bamboo Wolf Hardside Suitcase, First available May 29, 2020, <https://www.amazon.ca/Aluminum-Hardside-Suitcase-Business-Travelling/dp/B085M1CB6J> (Year: 2020).\*

Apr. 7, 2021—(CN) First Office Action—App. No. 202030815015. X.

www.amazon.com; website visited Oct. 6, 2021; Pelican 1510 Case with Foam; Date First Available Oct. 2, 2001; [https://www.amazon.com/Pelican-1510-Case-Foam-Black/dp/B0002SKHIK/ref=sr\\_1\\_123?dchild=1&keywords=wheeled+tool+box+for+flying&qid=16%E2%80%A6](https://www.amazon.com/Pelican-1510-Case-Foam-Black/dp/B0002SKHIK/ref=sr_1_123?dchild=1&keywords=wheeled+tool+box+for+flying&qid=16%E2%80%A6) (Year: 2001).

Halliburton Pursuit Aluminum Continental Carry-on Case, Site visited on Oct. 6, 2021; website captured on May 20, 2020 via wayback: <https://web.archive.org/web/20200520103816/https://zerohalliburton.com/collections/luggage> (Year: 2020).

Pelican Elite 50 Quart Cooler, available Nov. 9, 2016, [online], [site visited Mar. 31, 2018]. Available from internet, <URL: [https://www.amazon.com/Pelican-Elite-Quart-Cooler-White/product-reviews/B01G7KG5PA/ref=cm\\_cr\\_getr\\_d\\_paging\\_btm\\_5?ie=UTF8&reviewerType=all\\_reviews&sortBy=recent&pageNumber=5](https://www.amazon.com/Pelican-Elite-Quart-Cooler-White/product-reviews/B01G7KG5PA/ref=cm_cr_getr_d_paging_btm_5?ie=UTF8&reviewerType=all_reviews&sortBy=recent&pageNumber=5) (Year:2016).

Pelican Storm Waterproof Case, available Jul. 27, 2009, [online], [site visited Mar. 31, 2018]. Available from internet, <URL: [https://www.amazon.com/dp/B002JB07D8?aaxitk=EqSpVoa9QpKAGqst7rmxMA&pd\\_rd\\_i=B002JB07D8&pf\\_rd\\_m=ATVPDKIKX0DER&pf](https://www.amazon.com/dp/B002JB07D8?aaxitk=EqSpVoa9QpKAGqst7rmxMA&pd_rd_i=B002JB07D8&pf_rd_m=ATVPDKIKX0DER&pf) (Year: 2009).

Outdoor Products Small Watertight Dry Box, Blue, available May 31, 2016, [online], [site visited Mar. 31, 2018]. Available from internet, <URL: <https://www.walmart.com/ip/Outdoor-Products-Small-Watertight-Dry-Box-Blue/26674162> (Year: 2016).

Sep. 20, 2018—(WO) International Search Report and Written Opinion—App. PCT/US2018/037100.

globalindustrial.com, “Global Industrial™ Plastic Dividable Grid Container,” visited on Apr. 6, 2020 at <https://www.globalindustrial.com/p/storage/bins-totes-containers/dividable-grid/grid-wall-bin-stackable-1>.

Lowe’s, “Craftsman 37-in Black Plastic Wheels Lockable Tool Box,” <https://www.lowes.com/pd/CRAFTSMAN-37-in-Black-Plastic-Wheeled-Lockable-Tool-Box/1000578337>.

Toolguyd, Milwaukee Packout Tool Boxes and Storage System, <https://toolguyd.com/milwaukee-packout-tool-boxes-photo-introduction/>.

Jul. 6, 2020—(WO) International Search Report & Written Opinion—PCT/US2020/012404.

Aug. 13, 2020—(WO) Partial International Search—PCT/US2020/026655.

Amazon.ca, Site visited Dec. 28, 2021, Rimowa Suitcase, First available Jan. 25, 2017, <https://www.amazon.ca/Rimowa-Classic-Luggage-Multiwheel-Suitcase/dp/B01N6NEIIX> (Year: 2017).

Amazon.ca, Site visited Dec. 28, 2021, Travelking Spinner Suitcase, First available May 4, 2017, <https://www.amazon.ca/Multi-size-Aluminum-Luggage-Suitcase-TravelKing/dp/B06Y53X785> (Year: 2017).

Amazon.ca, Site visited Dec. 28, 2021, LEVEL8 Gibraltar Suitcase, First available Jan. 24, 2019, <https://www.amazon.ca/dp/B07MX224X5> (Year: 2019).

Amazon.ca, Site visited Dec. 28, 2021, Samsonite Centric, First available Sep. 20, 2017, <https://www.amazon.ca/Samsonite-Ce-Intric-Hardside-Expandable-Luggage/dp/B074VJYRZN> (Year: 2017).

Whereintheworldisnina.com, Site visited Dec. 28, 2021, “Choosing the Best Hard Shell Luggage for your Trip” by Nina Ragusa published on Apr. 29, 2019 Features the Maxlite, Timberland, and Level8 luggage cases with compression straps, <https://whereintheworldisnina.com/best-hard-shell-luggage/> (Year: 2019).

Nytimes.com, Site visited Dec. 28, 2021, “Are Away Carry-Ons Worth the Hype” by Kit Dillon published on May 19, 2020 Features

(56)

## References Cited

## OTHER PUBLICATIONS

the Muji Carry-on with compression strap, <https://www.nytimes.com/wirecutter/reviews/are-away-carry-ons-worth-the-hype/> (Year: 2020).

Amazon.ca, Site visited Dec. 28, 2021, Bamboo Wolf Hard Shell Luggage, First available May 29, 2020, <https://www.amazon.ca/Aluminum-Magnesium-Hardside-Suitcase-Zipperless-Business/dp/B085M1CB6J> (Year: 2020).

yeti.com, images of Loadout Bucket Web Page visited on Mar. 17, 2020, at [https://www.yeti.com/en\\_US/buckets/loadout-5-gallon-bucket/YLOB5.html?dwvar\\_YLOB5\\_color=white&cgid=buckets#start=1](https://www.yeti.com/en_US/buckets/loadout-5-gallon-bucket/YLOB5.html?dwvar_YLOB5_color=white&cgid=buckets#start=1) <[https://www.yeti.com/en\\_US/buckets/loadout-5-gallon-bucket/YLOB5.html?dwvar\\_YLOB5\\_color=white&cgid=buckets](https://www.yeti.com/en_US/buckets/loadout-5-gallon-bucket/YLOB5.html?dwvar_YLOB5_color=white&cgid=buckets)>.

amazon.com, “Top Shelf Custom Injection Molded ABS Saddlebag Organizer Tray, 2014—Current H-D ABS Hard Bags, LFT by Advanced Accessory Concepts LLC,” visited Oct. 16, 2019 and revisited Jan. 6, 2020 at [https://www.amazon.com/Custom-Injection-Molded-Saddlebag-Organizer/dp/B01MQWBM40/ref=sr\\_1\\_38?keywords=luggage+hard+removable+liner&qid=1571270714&sr=8-38](https://www.amazon.com/Custom-Injection-Molded-Saddlebag-Organizer/dp/B01MQWBM40/ref=sr_1_38?keywords=luggage+hard+removable+liner&qid=1571270714&sr=8-38).

amazon.com, “TCMT Matt Black Chopped Tour Pack Trunk w/Backrest Fits For Harley Street Road Glide 2014-2020 (Style B) by TCMT,” visited Oct. 16, 2019 and revisited Jan. 6, 2020 at <https://www.amazon.com/dp/B07HF5B4GZ>.

amazon.com, “HardBagger Top Shelf Hard Saddlebag Organizer—Right or Left TS100HD by Hardbagger,” visited Oct. 16, 2019 and revisited Jan. 6, 2020 at <https://www.amazon.com/HardBagger-Shelf-Hard-Saddlebag-Organizer/dp/B0041CAJ68>.

amazon.com, “Pelican Air 1615 Travel Case—Suitcase Luggage (Blue) by Pelican,” visited Oct. 16, 2019 and revisited Jan. 6, 2020 at [https://www.amazon.com/Pelican-Air-1615-Travel-Case/dp/B07XGHDK66?ref\\_ast\\_sto\\_dp](https://www.amazon.com/Pelican-Air-1615-Travel-Case/dp/B07XGHDK66?ref_ast_sto_dp).

amazon.com, “Pelican 015100-0050-110 Protector Carry-On Case Black w/TrekPak Insert: Camera & Photo,” visited Oct. 16, 2019 and revisited Jan. 6, 2020 at [https://www.amazon.com/Pelican-1510TP-Carry-TrekPak-Divider/dp/B01E4E1BFK/ref=sr\\_1\\_48?crid=3CJLVWN9DJ62R&keywords=carry+on+organizer+insert&qid=1571270299&prefix=carry+on+organizer%2Caps%2C143&sr=8-48](https://www.amazon.com/Pelican-1510TP-Carry-TrekPak-Divider/dp/B01E4E1BFK/ref=sr_1_48?crid=3CJLVWN9DJ62R&keywords=carry+on+organizer+insert&qid=1571270299&prefix=carry+on+organizer%2Caps%2C143&sr=8-48).

amazon.com, “Samsonite F’Lite GT 31” Hardside Wheeled Luggage (Vivid Blue),” visited Dec. 16, 2019 and revisited Jan. 7, 2020 at <[alibaba.com, “Removable Spinner Wheels for Suitcase Replacement Suitcase Luggage,” visited Dec. 16, 2019 and revisited Jan. 7, 2020 at \[https://www.alibaba.com/product-detail/Removable-Spinner-Wheels-For-Suitcase-Replacement\\\_605641600\]\(https://www.alibaba.com/product-detail/Removable-Spinner-Wheels-For-Suitcase-Replacement\_605641600\).](https://www.amazon.com/Samsonite-Flite-Spinner-Black-Size/dp/B01LTG2XVC?th=1>https://www.amazon.com/Samsonite-Flite-Spinner-Black-Size/dp/B01LTG2XVC?th=1>Samsonite F’Lite GT 31” Hardside Wheeled Luggage (Vivid Blue).</a></p>
</div>
<div data-bbox=)

amazon.com, “Lockable Tackle Box Fishing Waterproof Fly Fishing Box Double Sided Ice Fishing Tackle Case Box Storage Waterproof: 360 Degree Rubber Gasket, Durable Plastic Construction Double Sided Triangle-Cut For,” visited Dec. 16, 2019 and revisited Jan. 7, 2020 at <<https://www.amazon.com/Lockable-Tackle-Fishing-Waterproof-Storage/dp/B07MFF6S6N>>.

yankodesign.com, “Vacuum Packed Suitcase,” visited Dec. 16, 2019 and revisited Jan. 7, 2020 at <<https://www.yankodesign.com/2011/11/28/vacuum-packed-suitcase/>>.

alibaba.com, “Portable Luggage Wheels for Luggage Trolley Bags & Suitcase,” visited Dec. 16, 2019 and revisited Jan. 7, 2020 at [https://www.alibaba.com/product-detail/Portable-Luggage-Wheels-for-luggage-Trolley\\_1854722793.html](https://www.alibaba.com/product-detail/Portable-Luggage-Wheels-for-luggage-Trolley_1854722793.html).

northerntool.com, “Dewalt 28in. Wheeled Toolbox, Model# DWST28100,” visited on Apr. 6, 2020 at [https://www.northerntool.com/shop/tools/product\\_200726534\\_200726534](https://www.northerntool.com/shop/tools/product_200726534_200726534).

walmart.com, “Sterilite 151L Black Wheeled Industrial Tote,” visited on Apr. 6, 2020 at <https://www.walmart.ca/en/ip/sterilite-151l-black-wheeled-industrial-tote/6000195957310>.

globalindustrial.com, “Contico UK3725-4 Rolling Pro Tuff Work Box,” visited on Apr. 6, 2020 at <https://www.globalindustrial.com/p/tools/tool-storage/Jo-Site/rolling-pro-tuff-work-box?infoParam.campaignId=T9F>.

amazon.com, “Grey: Akro-Mils 33105 Akro-Grid Slotted Divider Plastic Tote Box,” visited on Apr. 6, 2020 at <https://www.amazon.in/Grey-Akro-Mils-Akro-Grid-Slotted-Divider/dp/B004C044VU>.

globalindustrial.com, “Global Industrial™ Plastic Dividable Grid Container,” visited on Apr. 6, 2020 at <https://www.globalindustrial.com/p/storage/bins-totes-containers/dividable-grid/grid-wail-bin-stackable-1>.

globalindustrial.com, “Straight Wall Container Solid,” visited on Apr. 6, 2020 at <https://www.globalindustrial.com/p/storage/bins-totes-containers/stacking-containers/straight-wall-container-12x7-2-5x5>.

Lowe’s, “Craftsman 37-in Black Plastic Wheels Lockable Tool Box,” <https://www.lowes.com/pd/CRAFTSMAN-37-n-Black-Plastic-Wheeled-Lockable-Tool-Box/1000578337>.

Home Depot, “Husky 37 in. Rolling Tool Box Utility Cart Black,” <<https://www.homedepot.com/p/Husky-37-in-Rolling-Tool-Box-Utility-Cart-Black-209261/203668066>>.

B&H, “Nanuk 960 Protective Rolling Case with Dividers and Organizer (Black),” [https://www.bhphotovideo.com/c/product/1504703-REG/nanuk\\_960\\_6001\\_960\\_waterproof\\_hard\\_case.html](https://www.bhphotovideo.com/c/product/1504703-REG/nanuk_960_6001_960_waterproof_hard_case.html).

Toolguyd, “Milwaukee Packout Tool Boxes and Storage System, in Photos,” <https://toolguyd.com/milwaukee-packout-tool-boxes-photo-introduction/>.

May 12, 2020—(WO) Partial International Search—PCT/US2020/012404.

\* cited by examiner

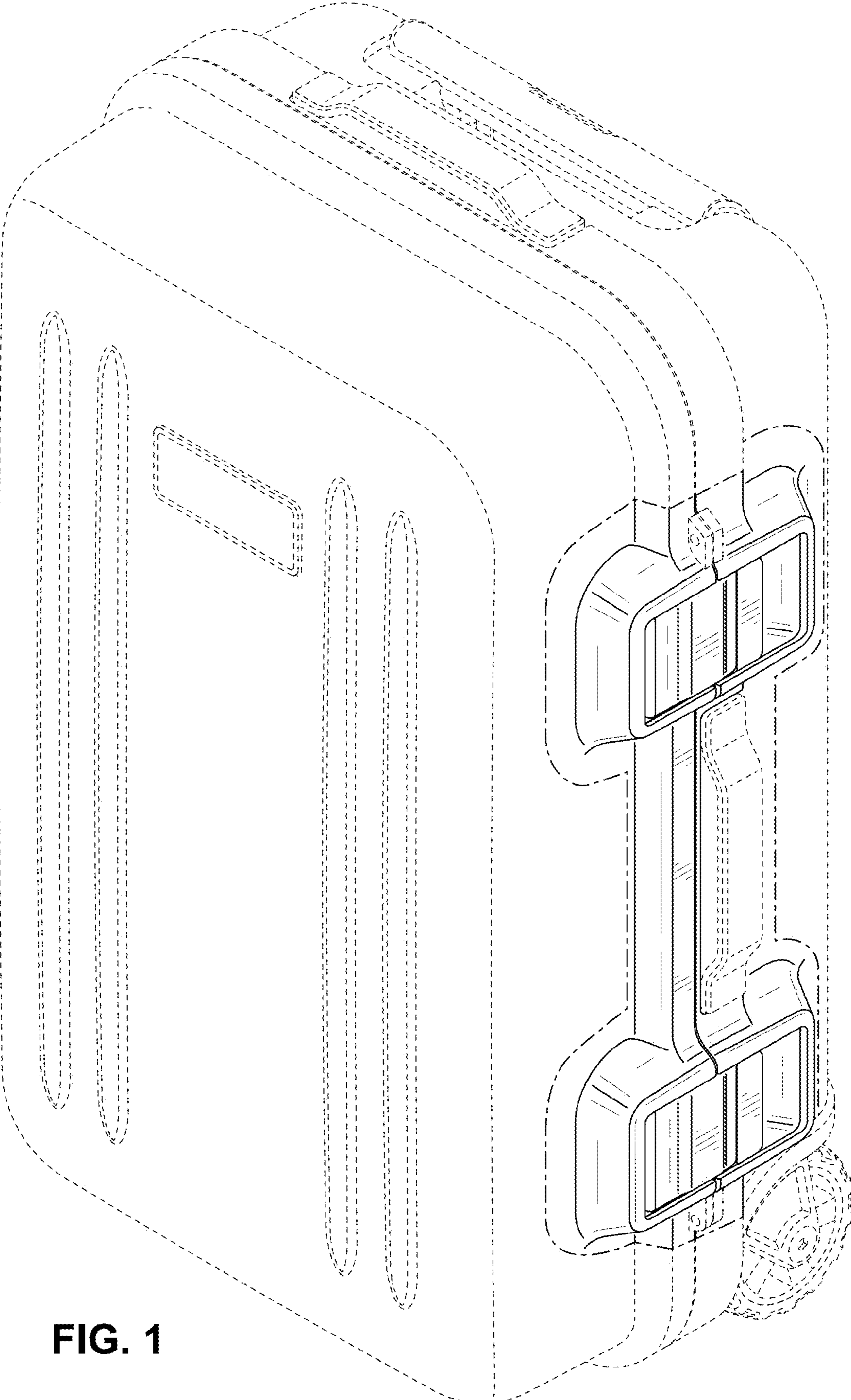


FIG. 1

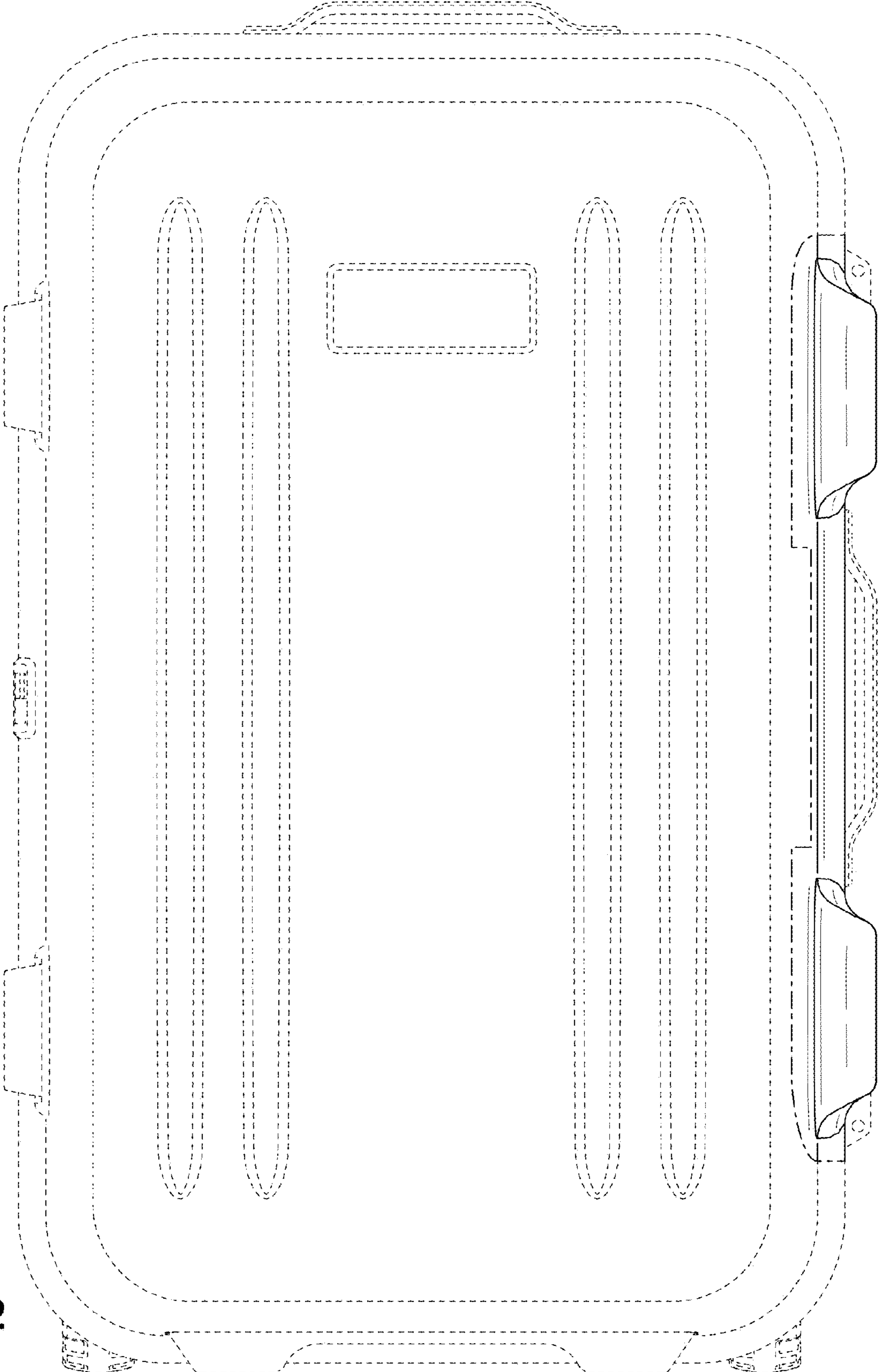


FIG. 2

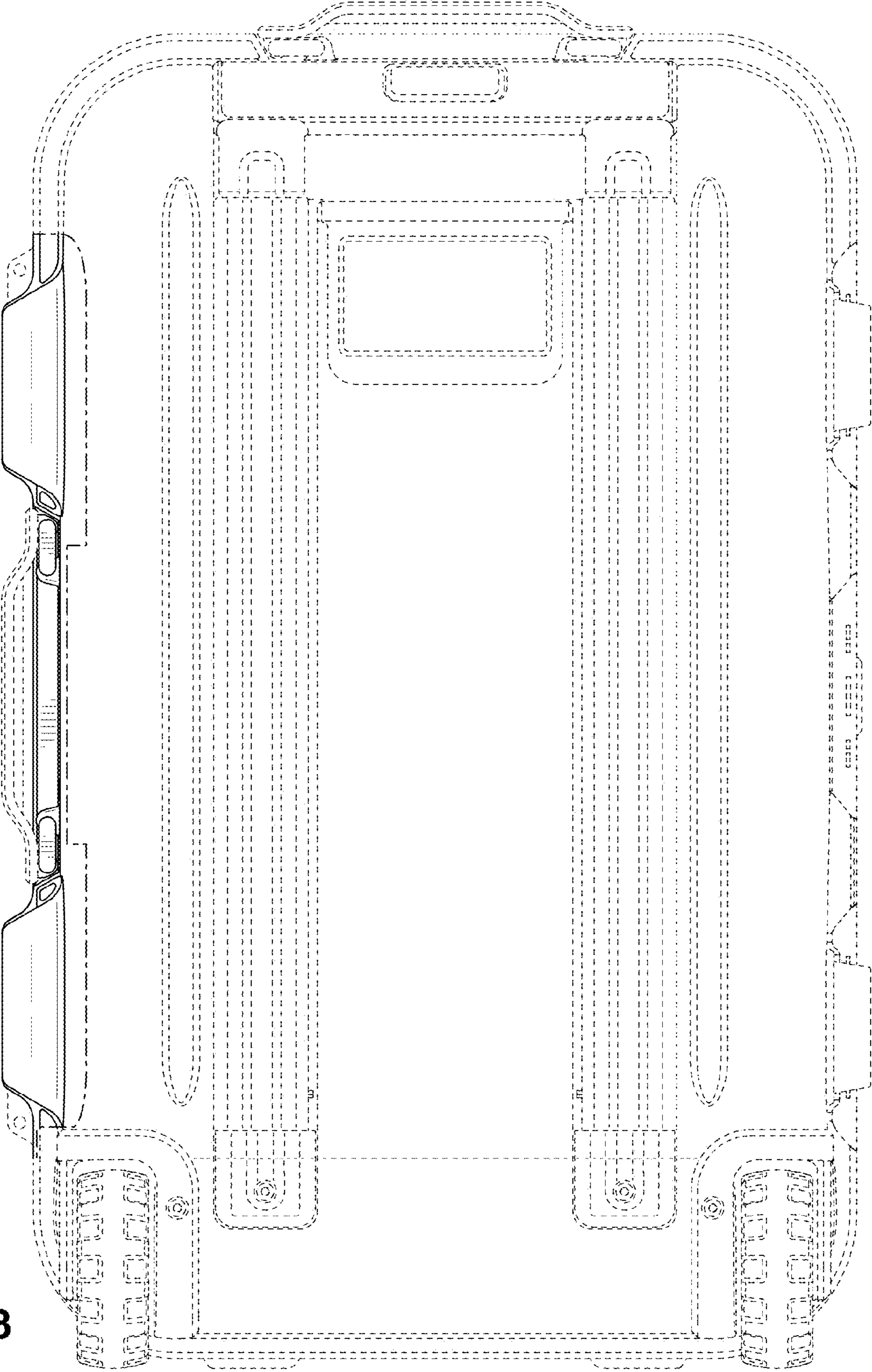
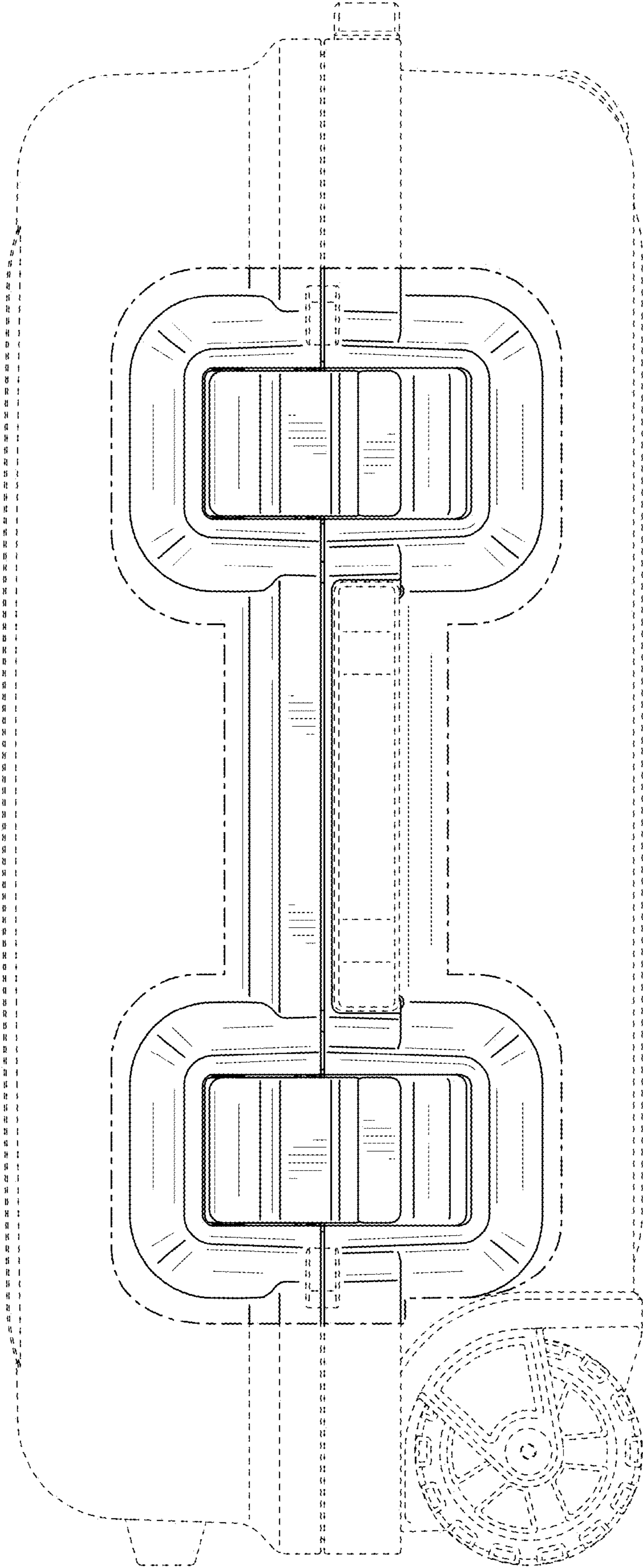


FIG. 3





**FIG. 4**

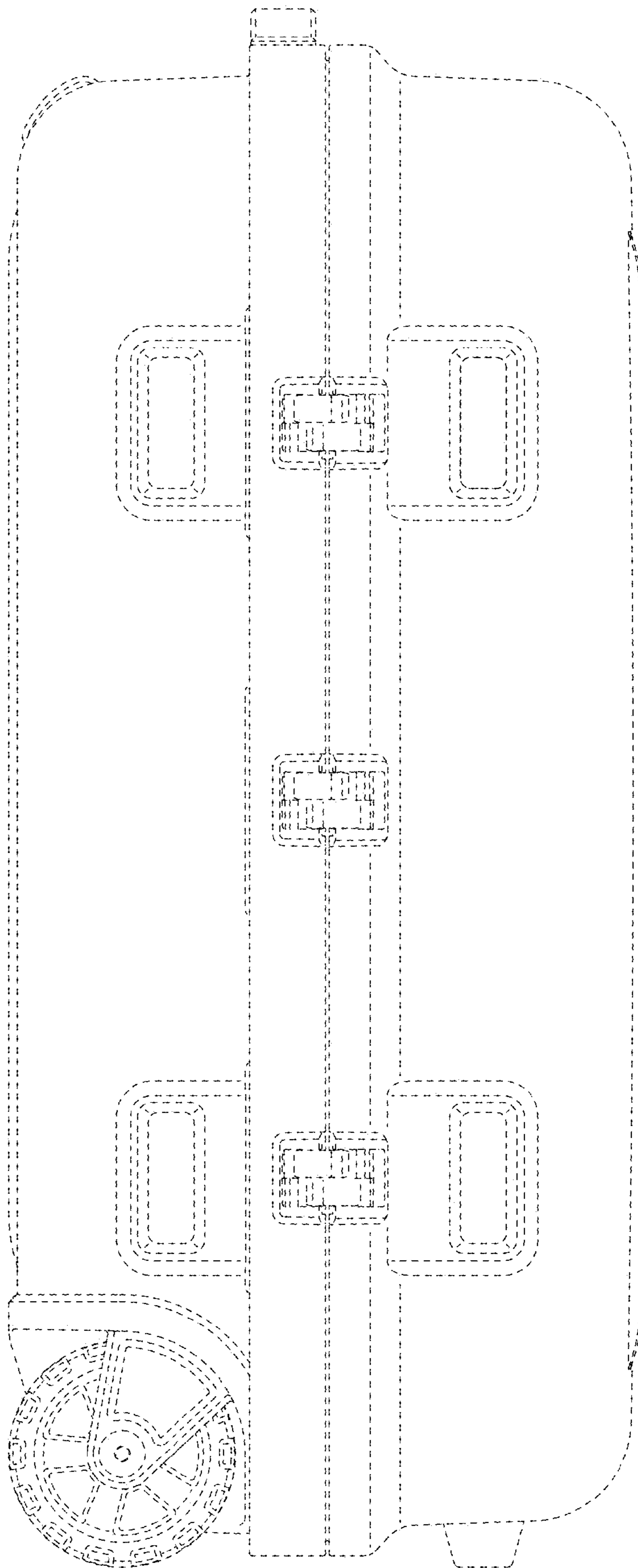


FIG. 5

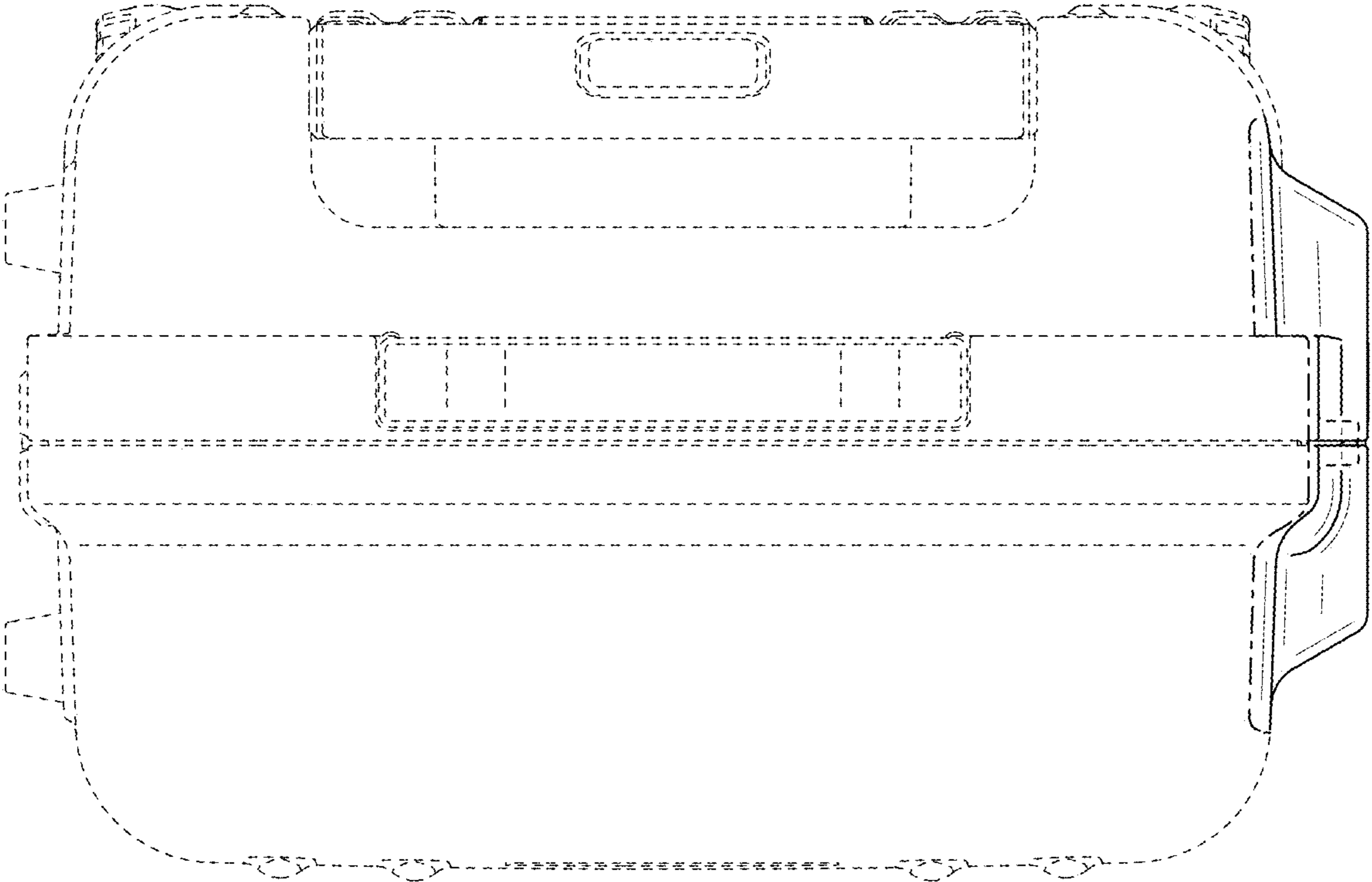


FIG. 6

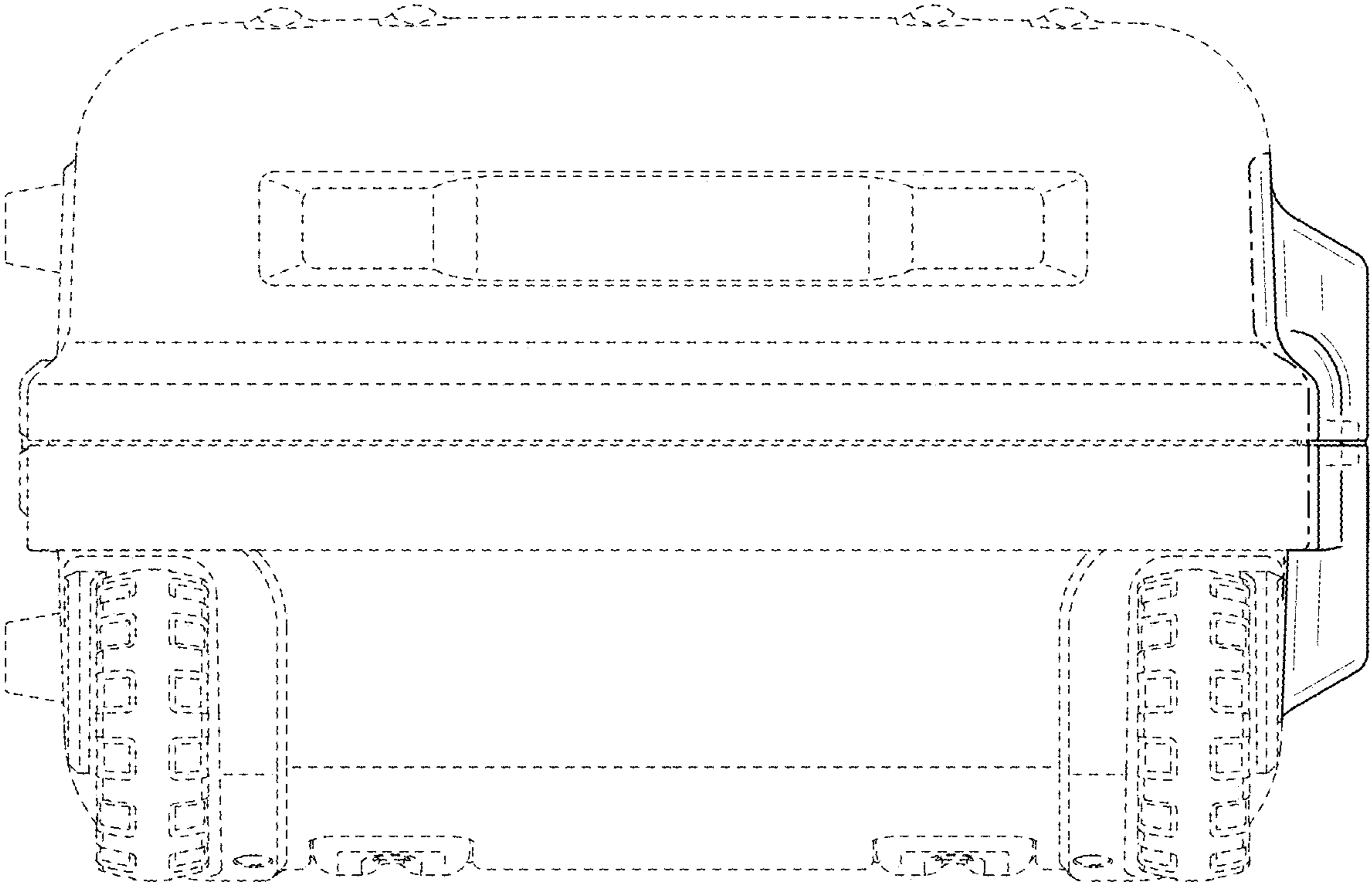


FIG. 7