

US00D963343S

(12) **United States Design Patent**
Tartaglia

(10) **Patent No.:** **US D963,343 S**

(45) **Date of Patent:** **** Sep. 13, 2022**

(54) **PULL HANDLE FOR A ROLLING CASE**

(71) Applicant: **Everything Mary, L.L.C.**, Fayetteville, AR (US)

(72) Inventor: **John Tartaglia**, Fayetteville, AR (US)

(73) Assignee: **Everything Mary, L.L.C.**, Fayetteville, AR (US)

(**) Term: **15 Years**

(21) Appl. No.: **29/725,695**

(22) Filed: **Feb. 26, 2020**

(51) **LOC (13) Cl.** **03-01**

(52) **U.S. Cl.**
USPC **D3/318; D3/279**

(58) **Field of Classification Search**
USPC ... D3/272–273, 279, 294, 318, 902, 905, 20
CPC ... A45C 5/14; A45C 13/262; A45C 2013/267;
A45C 5/03
See application file for complete search history.

(56) **References Cited**

U.S. PATENT DOCUMENTS

3,998,476	A *	12/1976	Kazmark, Sr.	B62B 1/125 280/655
5,257,800	A *	11/1993	Yang	B62B 1/125 280/47.29
5,397,151	A *	3/1995	Jserng	B62B 1/125 280/47.27
D366,549	S *	1/1996	Yu	D34/24
D370,997	S *	6/1996	Hsieh	D3/201
D398,125	S *	9/1998	Rekuc	D34/24

(Continued)

OTHER PUBLICATIONS

“Everything Mary Deluxe Quilted Pink and Grey Rolling Sewing Machine Tote”, first available May 24, 2017, Amazon.com, site visited Jun. 9, 2021: https://www.amazon.com/Everything-Mary-Quilted-Rolling-Machine/dp/B06WP7QYXV/ref=as_li_ss_tl?crd=22BHKB9ZJAN9J&keywords=sewing%2Bmachine%2Btote%2Bwith%2Bwheels&qid=1576887143&srefix=Sewing%2BMachine%2BTote%2B%2Caps%2C161&sr=8-6&linkCode=II1&tag=teachyou2021-20&linkId=01bf092c4dcbe4b9141df503817dae93&language=en_US&th=1 (Year: 2017).*

2Bwith%2Bwheels&qid=1576887143&srefix=Sewing%2BMachine%2BTote%2B%2Caps%2C161&sr=8-6&linkCode=II1&tag=teachyou2021-20&linkId=01bf092c4dcbe4b9141df503817dae93&language=en_US&th=1 (Year: 2017).*

(Continued)

Primary Examiner — Jennifer L Watkins
Assistant Examiner — Samantha Lynne Brodowski
(74) *Attorney, Agent, or Firm* — Wright Lindsey Jennings, LLP; Meredith Lowry

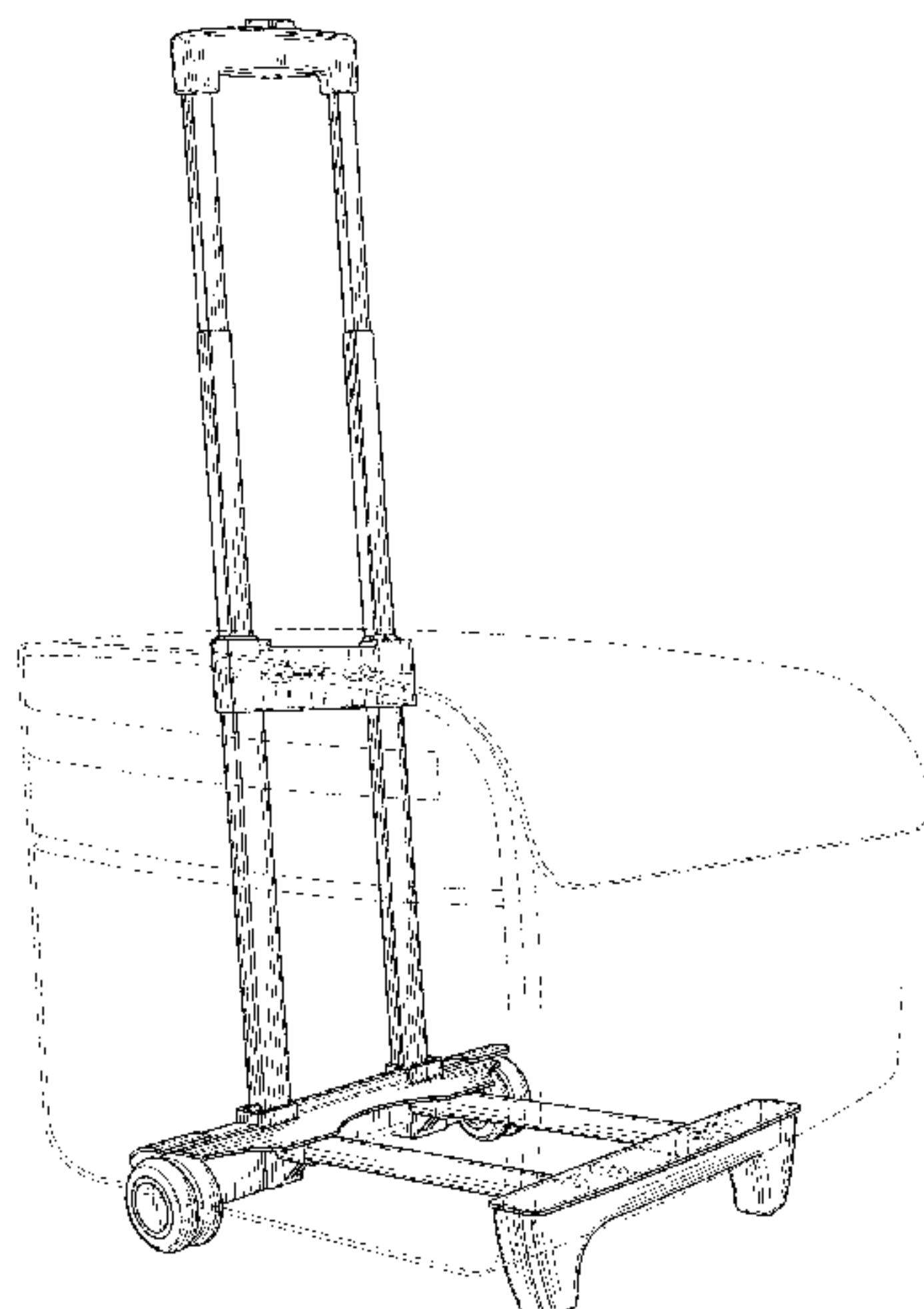
(57) **CLAIM**

The ornamental design for a pull handle for a rolling case, as shown and described.

DESCRIPTION

FIG. 1 is a front perspective view of the pull handle for a rolling case;
FIG. 2 is a rear perspective view of the same;
FIG. 3 is a front elevational view of the same;
FIG. 4 is a left side view of the same, the right side view being a mirror image thereof;
FIG. 5 is a rear elevational view of the same;
FIG. 6 is a top plan view of the same;
FIG. 7 is a bottom plan view of the same;
FIG. 8 is a perspective view of the pull handle for a rolling case of FIG. 1, shown in a collapsed configuration;
FIG. 9 is a front elevational view of the pull handle for a rolling case of FIG. 1, shown in a collapsed configuration;
FIG. 10 is a left side view of the pull handle for a rolling case of FIG. 1 shown in a collapsed configuration, the right side view being a mirror image thereof;
FIG. 11 is a rear elevational view of the pull handle for a rolling case of FIG. 1, shown in a collapsed configuration;
FIG. 12 is a front elevational view of the pull handle for a rolling case of FIG. 1, shown in a collapsed configuration;
and,
FIG. 13 is a rear elevational view of the pull handle for a rolling case of FIG. 1, shown in the collapsed configuration of FIG. 12.

(Continued)



The broken lines in the drawings illustrate environment and form no part of the claimed design.

1 Claim, 12 Drawing Sheets

D677,896 S *	3/2013	Wu	D3/318
D699,438 S *	2/2014	Mathieu	A45C 13/262
			D3/318
D827,304 S *	9/2018	Tao	D3/318
D882,265 S *	4/2020	Fenton	D3/318
D885,760 S *	6/2020	Whitfield	D3/279
D937,559 S *	12/2021	Tartaglia	D3/20
2005/0103589 A1 *	5/2005	Russo	A45C 5/143
			190/18 A

(56)

References Cited

U.S. PATENT DOCUMENTS

D440,726 S *	4/2001	Wang	D34/24
D462,170 S *	9/2002	Chen	D3/276
D472,713 S *	4/2003	Lee	D3/318
D489,531 S *	5/2004	Oh	D3/318
D501,601 S *	2/2005	Platte, III	D3/279
D508,376 S *	8/2005	Bhavnani	D3/279
D525,029 S *	7/2006	Teitloff	D3/258
D570,601 S *	6/2008	Drew	D3/318
D575,513 S *	8/2008	Siegel	D3/318
D633,300 S *	3/2011	Fair	D3/318
D648,133 S *	11/2011	Wu	D3/318
D651,803 S *	1/2012	Wu	D3/318
D666,832 S *	9/2012	Kinsky	D3/318

OTHER PUBLICATIONS

“Everything Mary Collapsible Rolling Sewing Machine Tote”, first reviewed Feb. 8, 2014, Walmart.com, site visited Jun. 9, 2021: <https://www.walmart.com/ip/Everything-Mary-Collapsible-Rolling-Sewing-Machine-Tote-Cheetah-Print-Case-Fits-Most-Standard-Brother-Singer-Machines-Bag-Wheels-Handle/29191530> (Year: 2014).*

“Everything Mary Collapsible Sewing Machine Case”, first available Nov. 12, 2019, Amazon.com, site visited Jun. 9, 2021: https://www.amazon.com/Everything-Mary-EVM12439-3-Collapsible-Carrying/dp/B081DB4PG3?ref_ast_sto_dp&th=1 (Year: 2019).*

* cited by examiner



FIG. 1

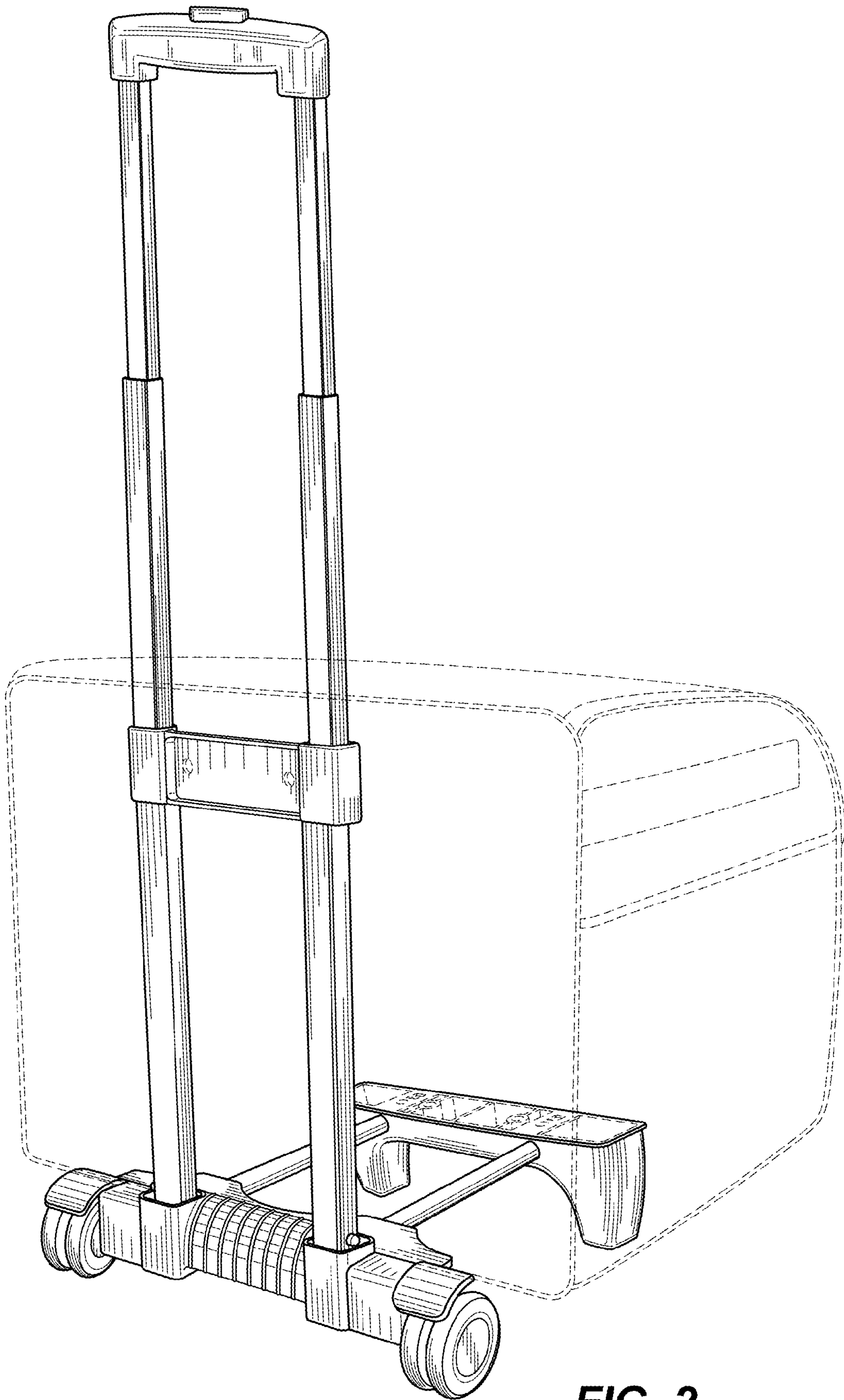


FIG. 2

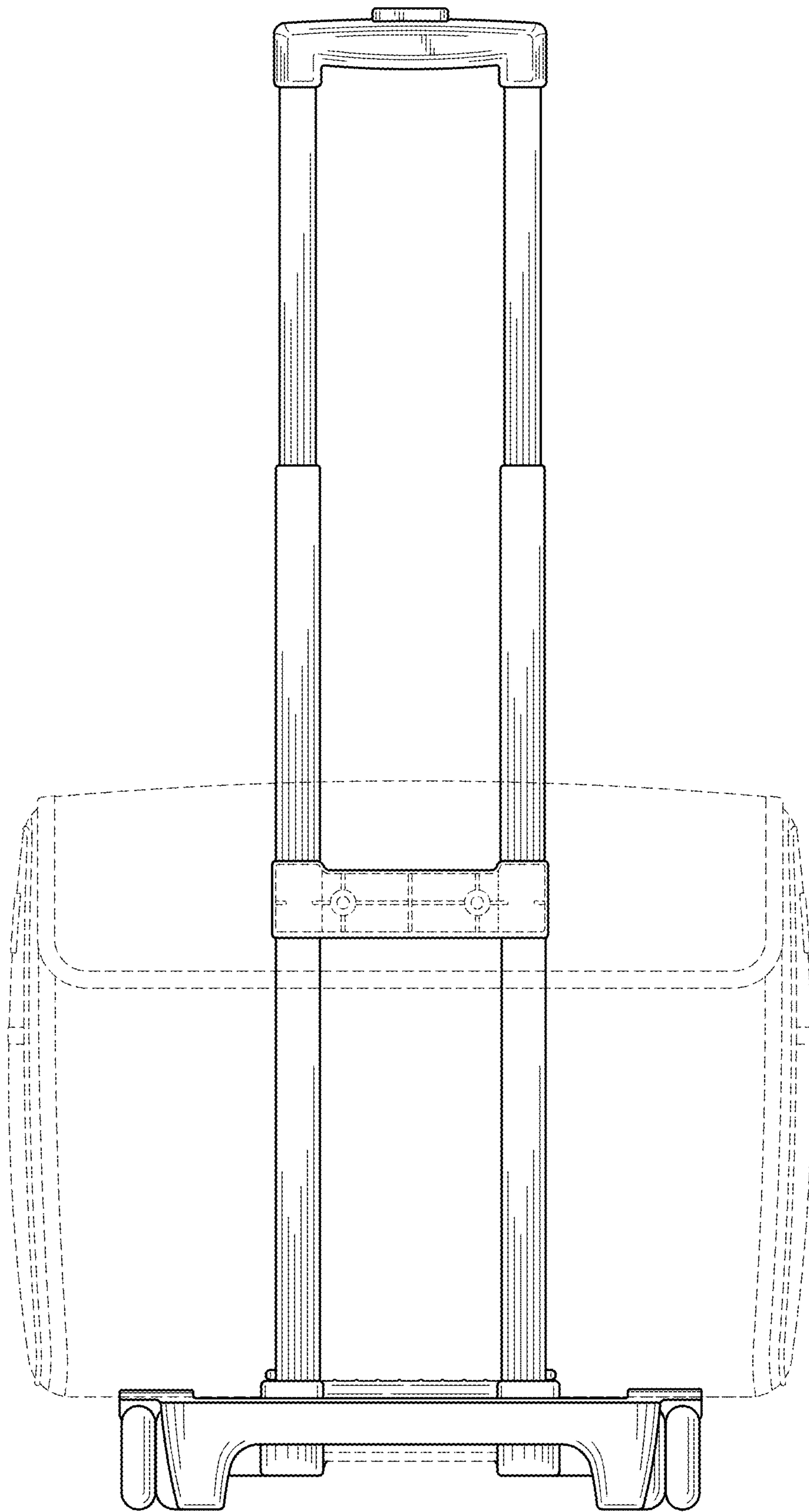


FIG. 3

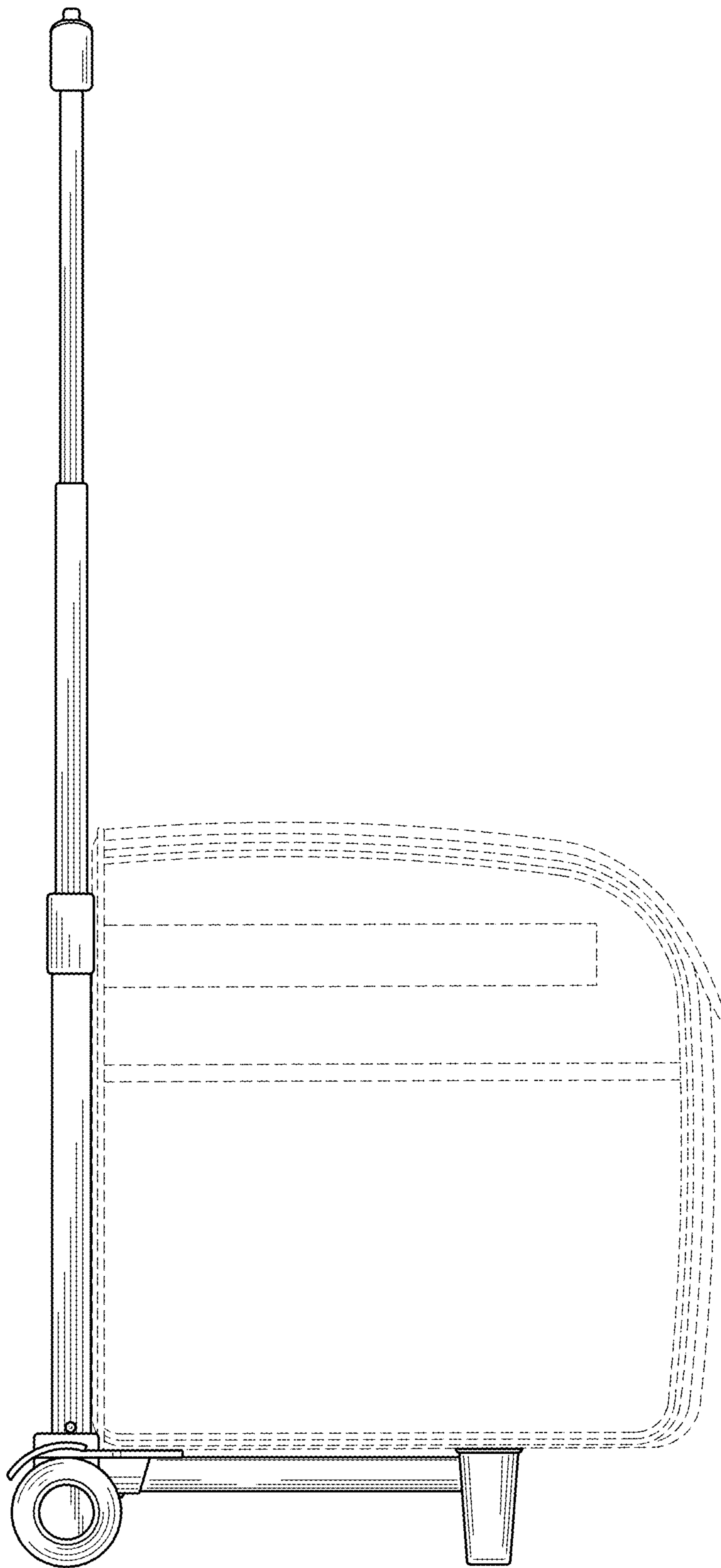


FIG. 4

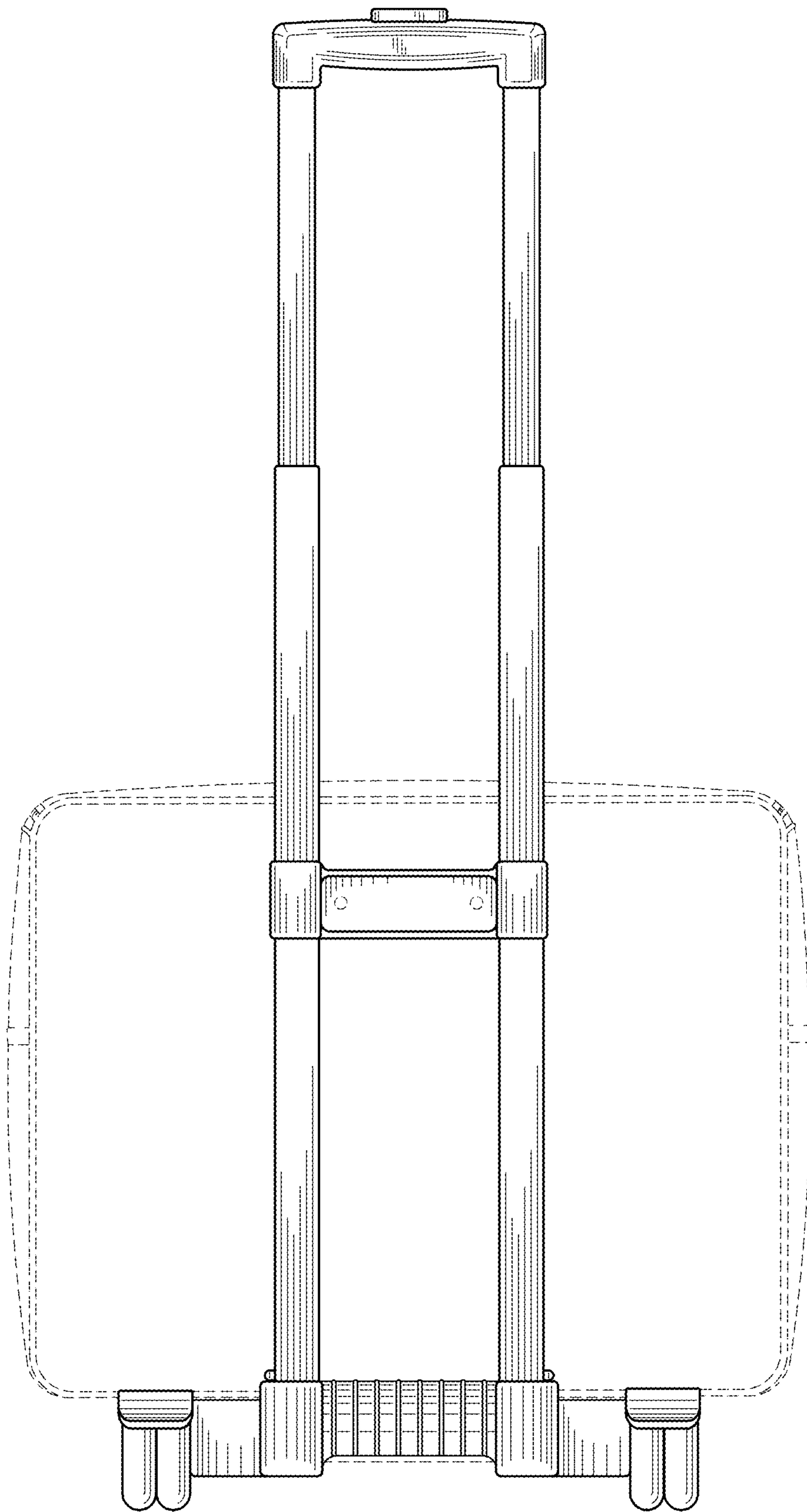


FIG. 5

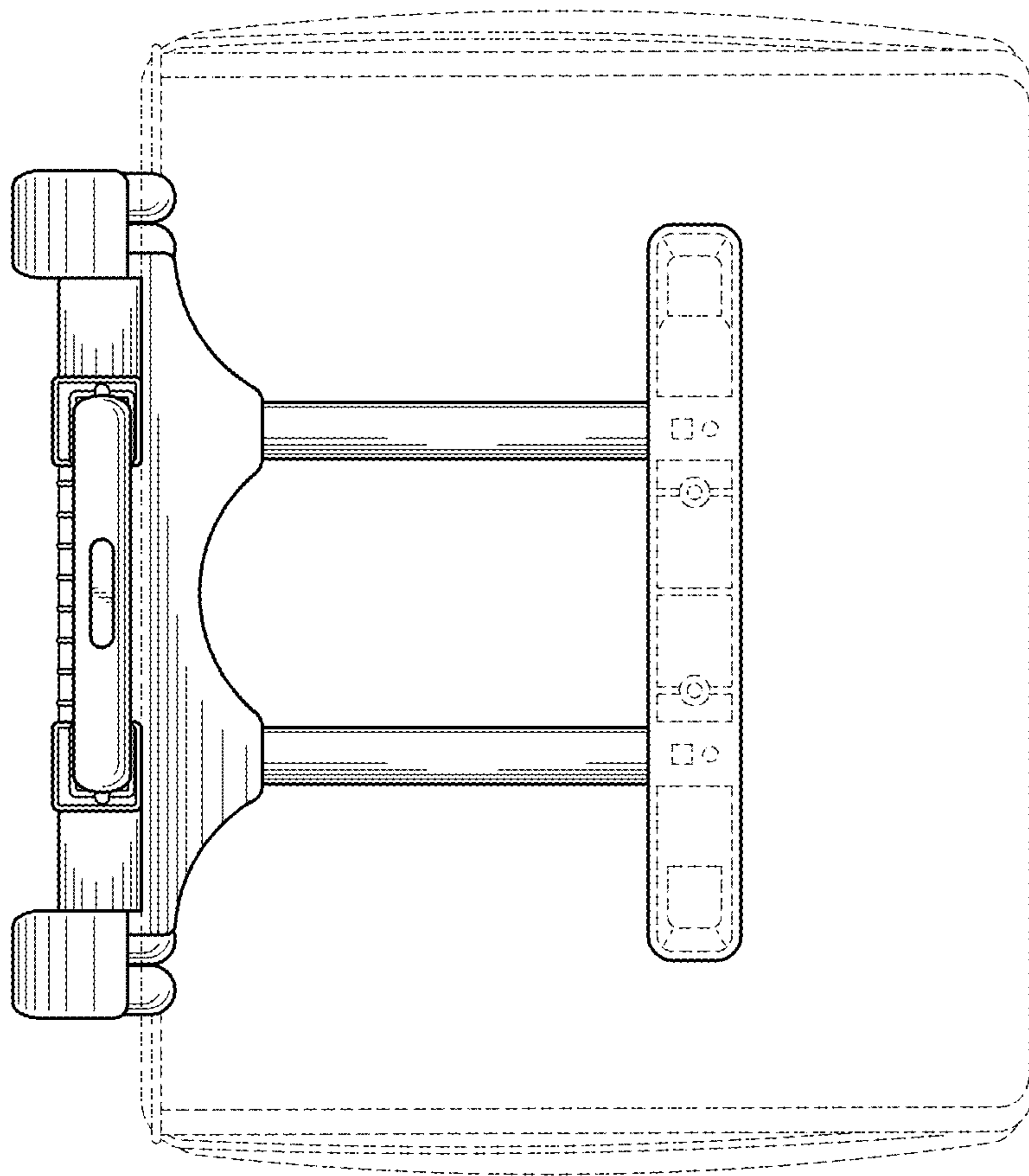


FIG. 6

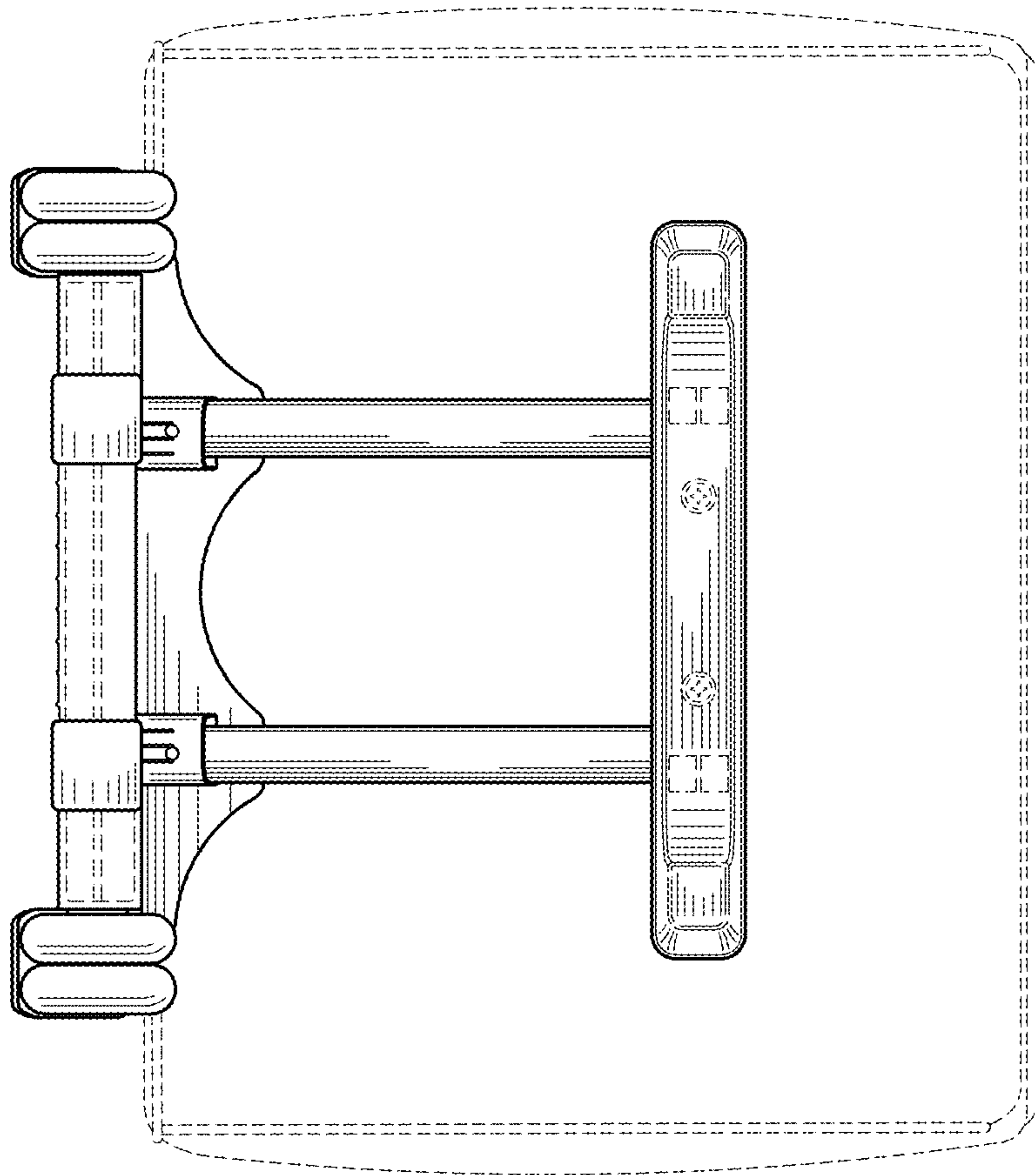


FIG. 7

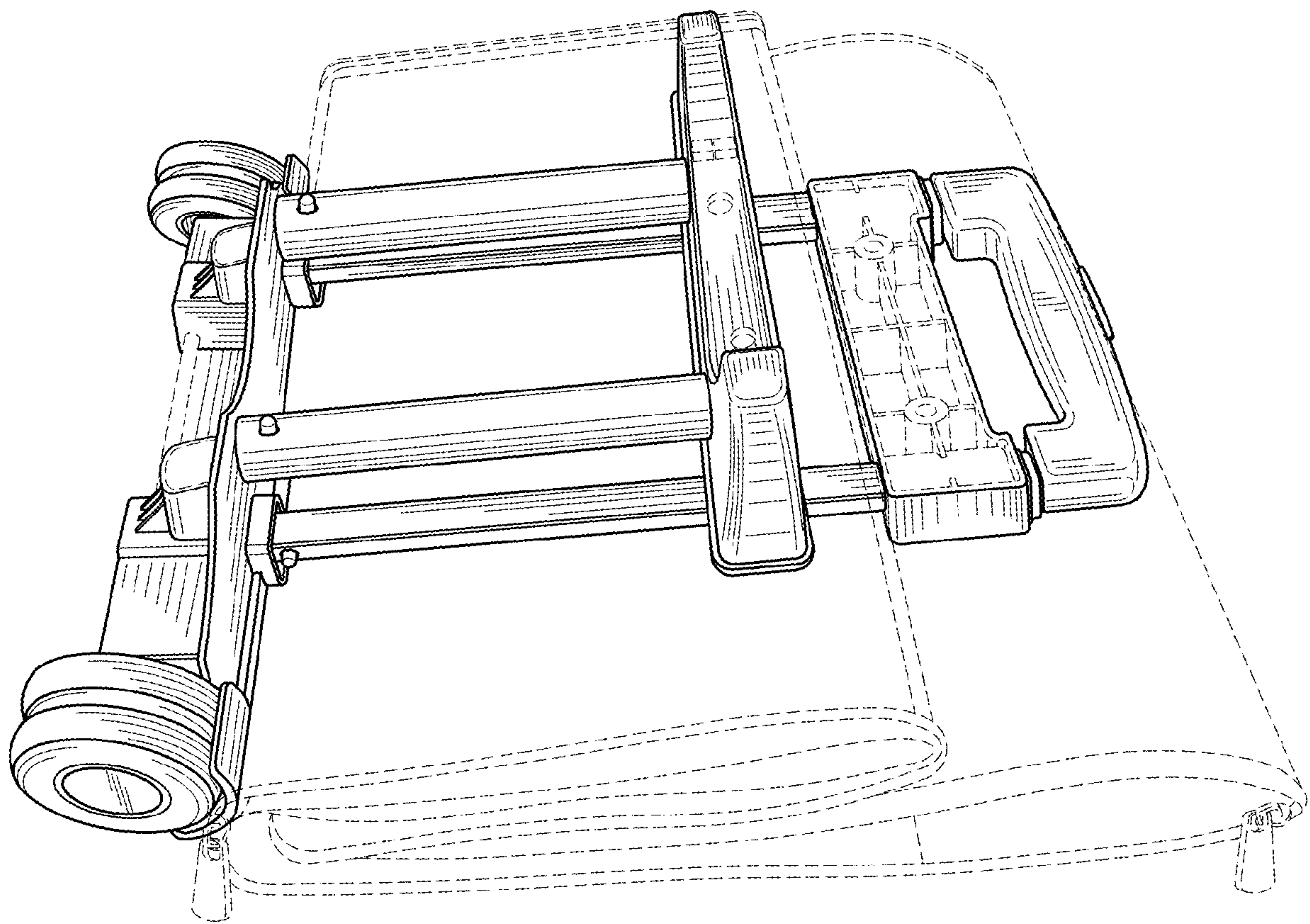


FIG. 8

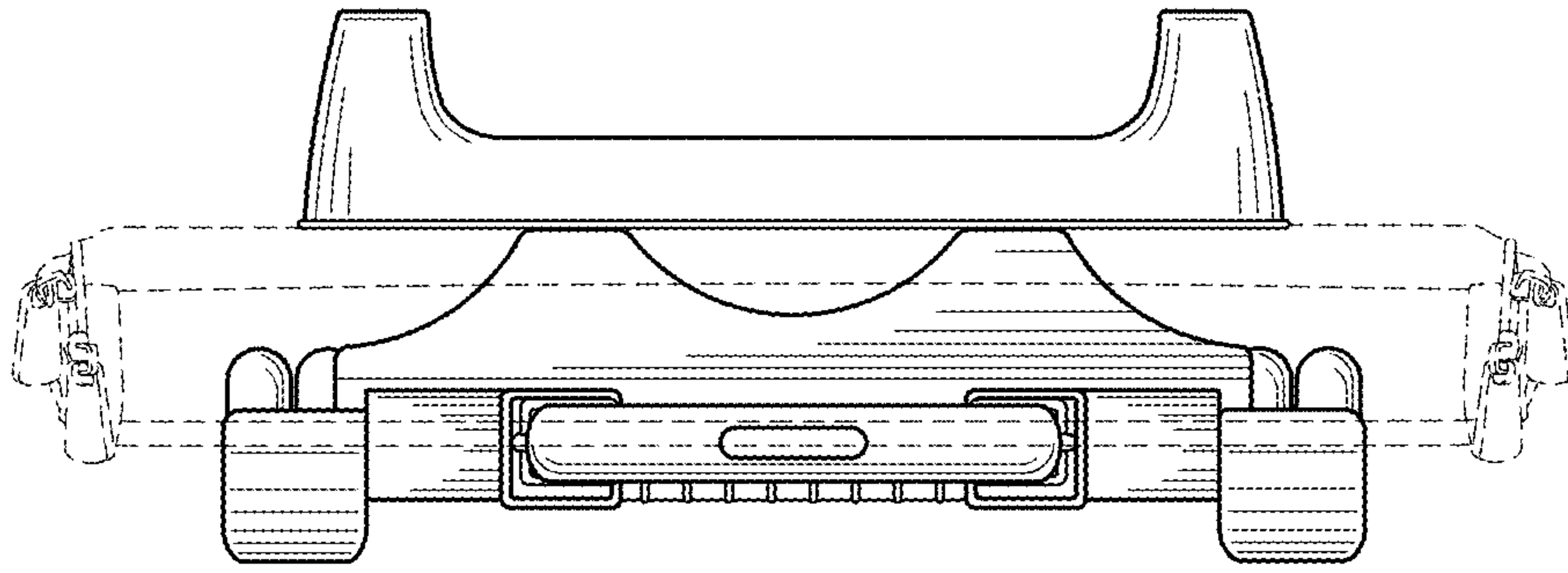


FIG. 9

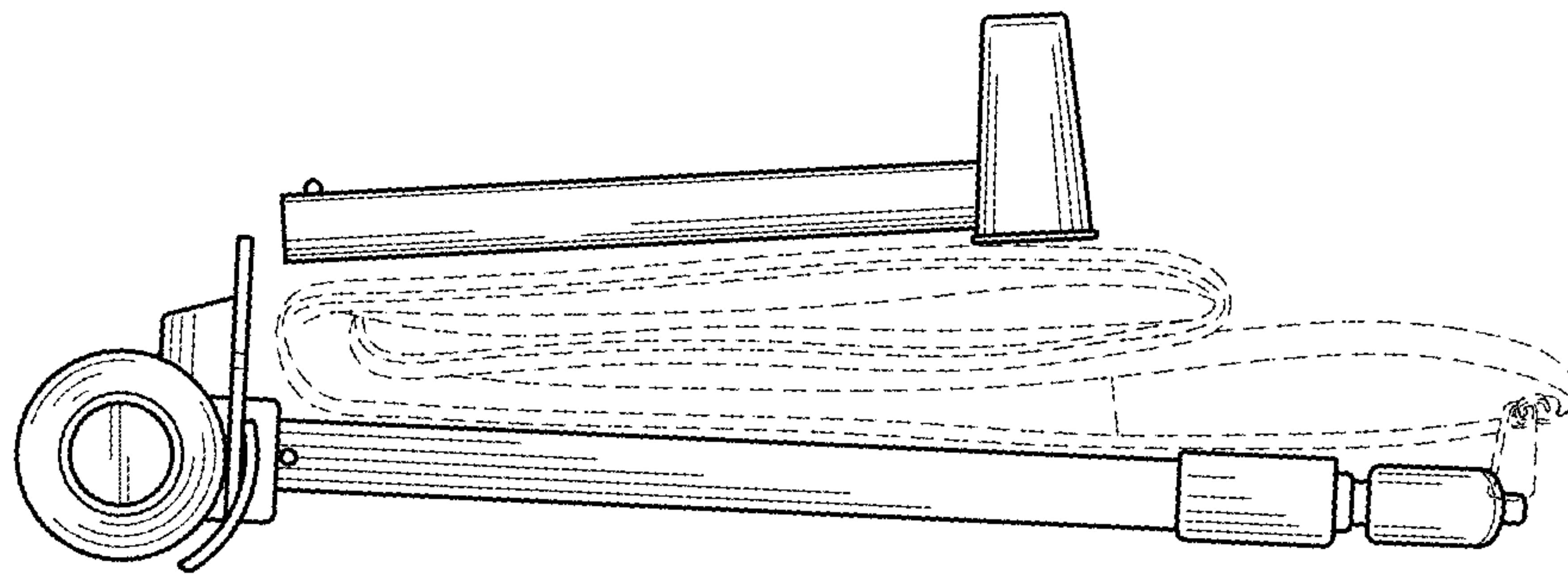


FIG. 10

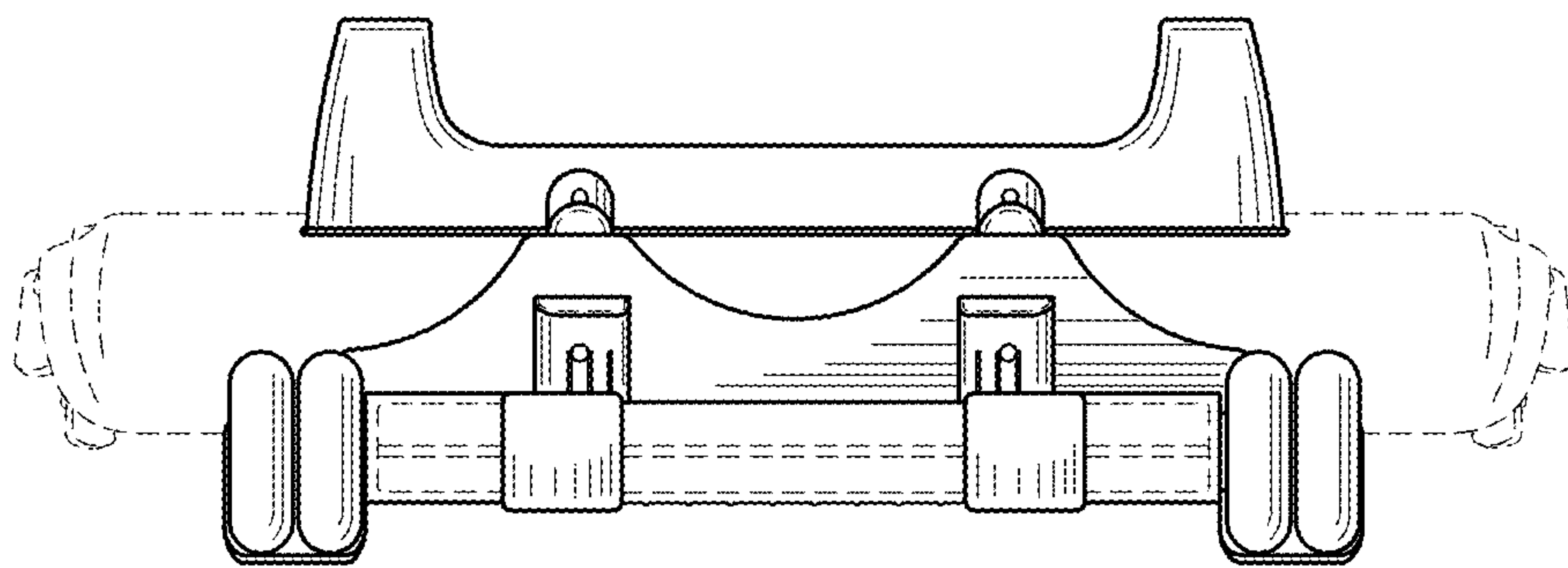


FIG. 11

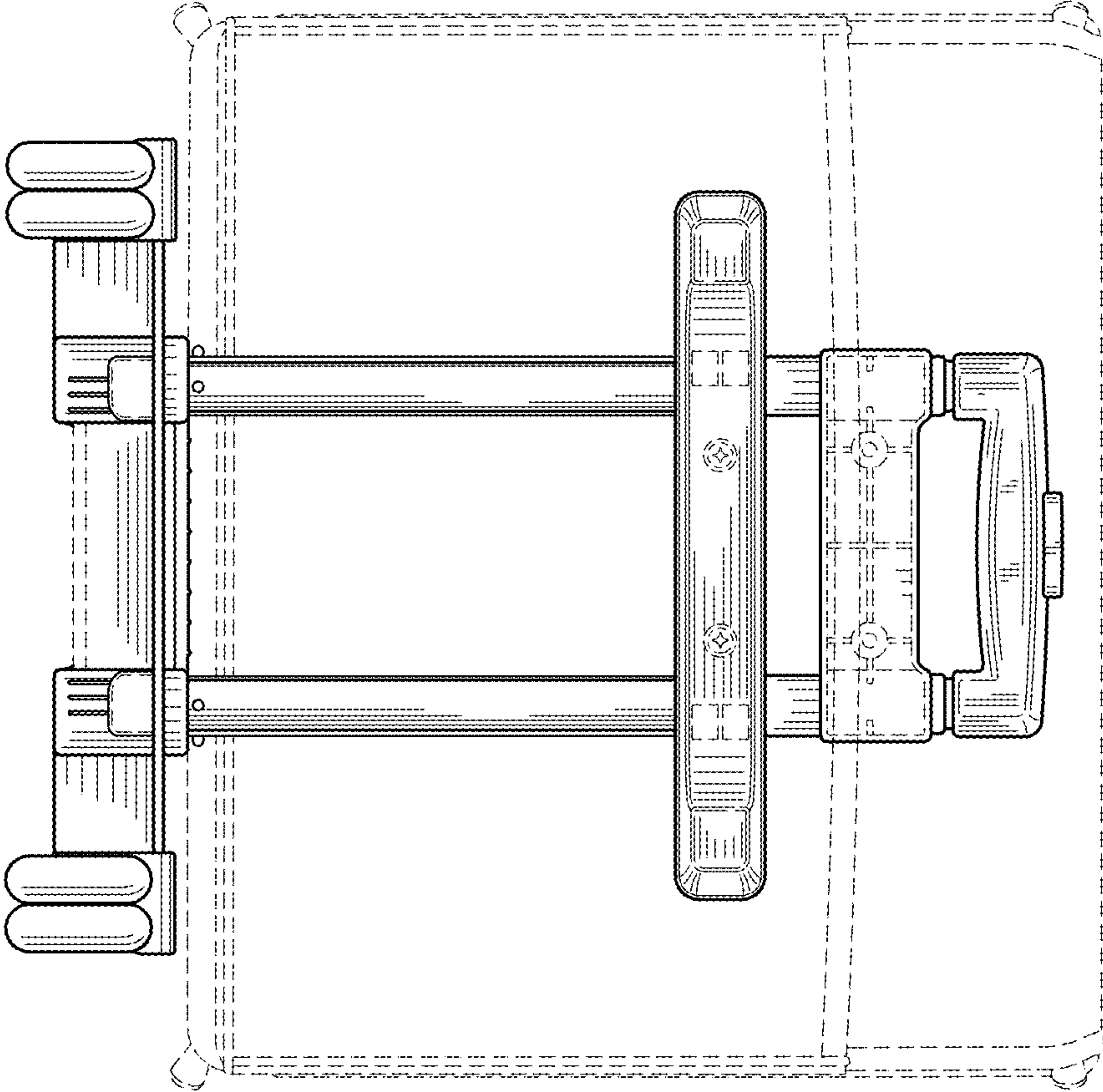


FIG. 12

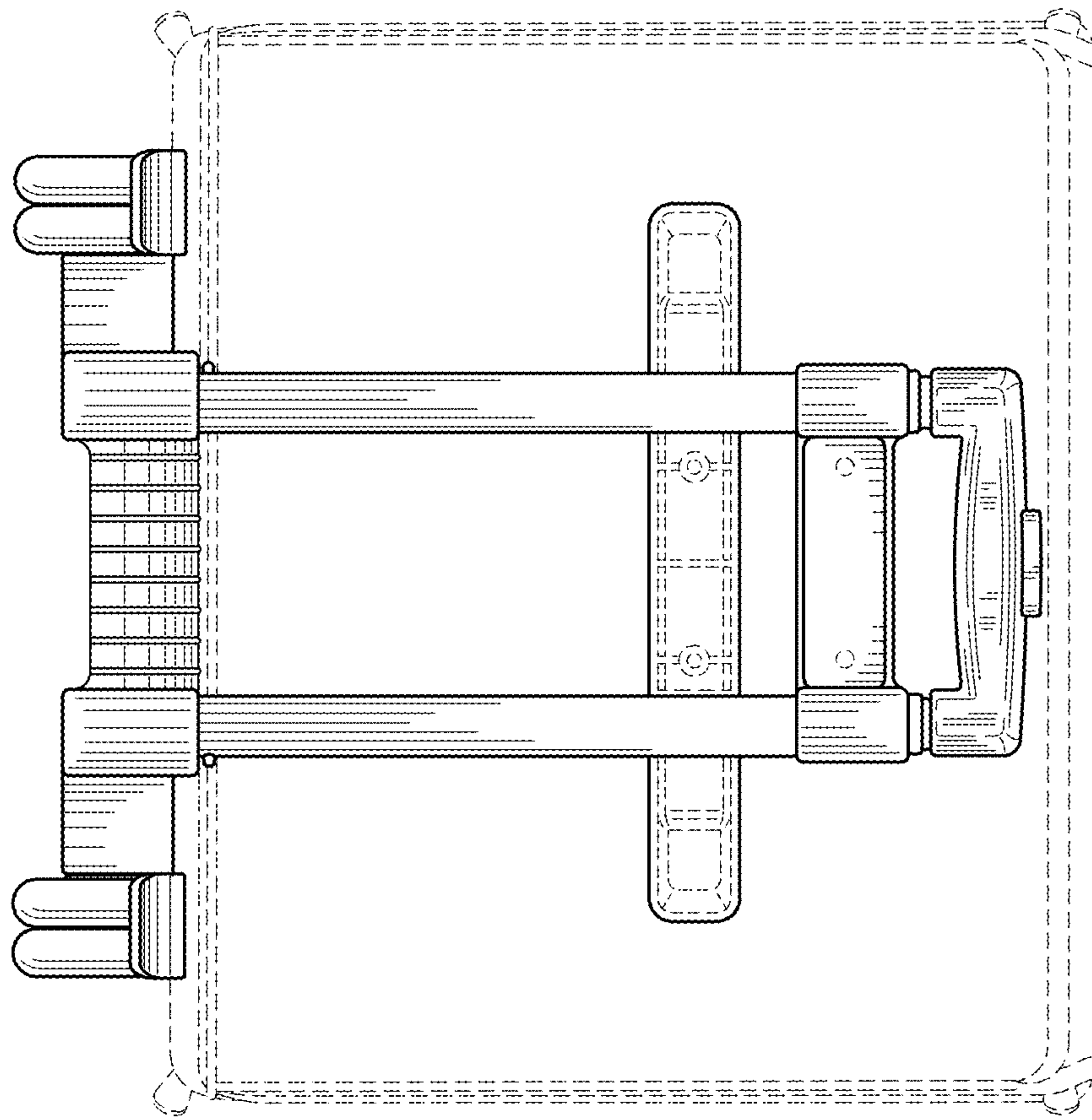


FIG. 13