



US00D963341S

(12) **United States Design Patent**
Kraemer

(10) **Patent No.:** **US D963,341 S**

(45) **Date of Patent:** **** Sep. 13, 2022**

(54) **HOLDER**

(71) Applicant: **InterDesign, Inc.**, Solon, OH (US)

(72) Inventor: **Kevin Francis Kraemer**, Chagrin Falls, OH (US)

(73) Assignee: **InterDesign, Inc.**, Solon, OH (US)

(**) Term: **15 Years**

(21) Appl. No.: **29/666,925**

(22) Filed: **Oct. 17, 2018**

Related U.S. Application Data

(63) Continuation of application No. 29/543,146, filed on Oct. 21, 2015, now Pat. No. Des. 831,997, which is a continuation of application No. 29/437,354, filed on Nov. 15, 2012, now Pat. No. Des. 743,714.

(51) **LOC (13) Cl.** **09-04**

(52) **U.S. Cl.**
USPC **D3/304**

(58) **Field of Classification Search**
USPC D3/304, 307; D6/704; D7/550.1, 553.2;
D9/456; D19/92; D24/227
CPC A47B 63/00; A47F 3/14; A47G 29/00;
A47G 29/12; B65D 1/34; B65D 71/70;
B65D 2585/00; B43M 99/00; B43M
99/0008

See application file for complete search history.

(56) **References Cited**

U.S. PATENT DOCUMENTS

3,479,105 A * 11/1969 Farren G11B 23/027
D274,012 S * 5/1984 Williams D3/304
D282,966 S * 3/1986 Brown D3/304
4,577,773 A * 3/1986 Bitel B25H 3/02
206/561
D288,375 S * 2/1987 Okami D7/552.2

D303,310 S * 9/1989 Ross D3/304
D310,748 S * 9/1990 Embree D9/425
D323,677 S * 2/1992 Evenson D19/86
D327,497 S * 6/1992 Szablak D19/86
D327,503 S * 6/1992 Szablak D19/86
D327,504 S * 6/1992 Breen D19/86
D327,971 S * 7/1992 Cugley D3/304
D331,257 S * 11/1992 Breen D19/86
D334,593 S * 4/1993 Evenson D19/86
D335,505 S * 5/1993 Chan D19/86
D336,753 S * 6/1993 Chan D19/86
D365,730 S * 1/1996 Brightbill D3/313
5,788,117 A * 8/1998 Zimmanck A47F 1/08
221/281
D425,703 S * 5/2000 Ohayon D3/304
D455,460 S * 4/2002 Cheris D19/92
D477,365 S * 7/2003 Chen D19/86

(Continued)

Primary Examiner — Steven J Czyn

(74) *Attorney, Agent, or Firm* — Calfee, Halter & Griswold LLP

(57) **CLAIM**

I claim the ornamental design for a holder, as shown and described.

DESCRIPTION

FIG. 1 is a front/left/top perspective view of a clear (transparent) holder (a front/right/top perspective view would be a mirror image thereof);

FIG. 2 is a rear/right/bottom perspective view thereof (a rear/left/bottom perspective view would be a mirror image thereof);

FIG. 3 is a front elevational view thereof;

FIG. 4 is a rear elevational view thereof;

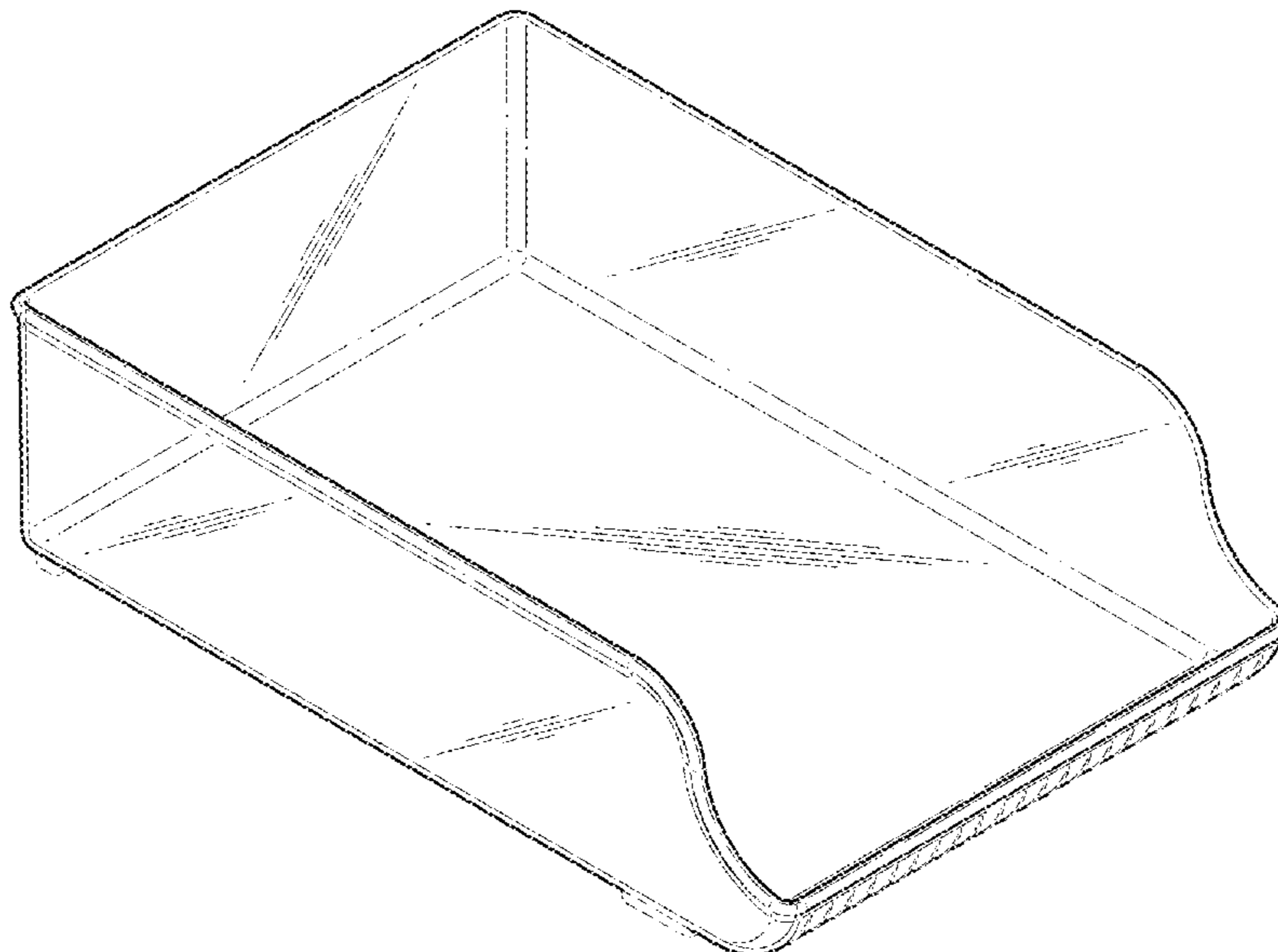
FIG. 5 is a right side elevational view thereof;

FIG. 6 is a top plan view thereof; and,

FIG. 7 is a bottom plan view thereof.

The broken lines show portions of the transparent holder that form no part of the claimed design.

1 Claim, 5 Drawing Sheets



(56)

References Cited

U.S. PATENT DOCUMENTS

D483,071 S *	12/2003	Chen	D19/86	D692,668 S *	11/2013	Hu	D3/306
D496,404 S *	9/2004	Hurwitz	D19/86	D709,289 S *	7/2014	Kraemer	B25H 3/02 D19/92
D517,319 S *	3/2006	Wisnoski	D3/304	D712,148 S *	9/2014	Ghiorgie	D3/304
D518,638 S *	4/2006	Nudo	D3/304	D713,146 S *	9/2014	Ghiorghie	D3/304
D520,748 S *	5/2006	Nudo	D3/304	D772,575 S *	11/2016	Stelmarski	D3/304
D538,539 S *	3/2007	Richardson	D3/314	D780,848 S *	3/2017	Greenspon	D19/92
D543,400 S *	5/2007	Ho	D6/515	D806,391 S *	1/2018	Ghiorghie	D3/304
D547,064 S *	7/2007	Snell	G11B 23/027 D3/304	D872,482 S *	1/2020	Harvey	D3/304
D551,453 S *	9/2007	Snell	D3/304	D878,051 S *	3/2020	Kraemer	D3/307
D573,654 S *	7/2008	Hardy	D19/92	D887,746 S *	6/2020	Kraemer	D6/515
D583,562 S *	12/2008	Ghiorghie	D3/304	D893,624 S *	8/2020	Mckean	D19/92
D606,314 S *	12/2009	Neilsen	D3/313	D902,593 S *	11/2020	Roche	D3/304
D621,619 S *	8/2010	Ripoll	D3/304	D904,030 S *	12/2020	Piccininni	D3/304
D635,770 S *	4/2011	Kobilarcik	D3/304	D913,694 S *	3/2021	Kraemer	D19/92
D636,601 S *	4/2011	Brown	D3/304	D925,229 S *	7/2021	Kraemer	D3/307
D659,399 S *	5/2012	Kraemer	D3/304	D927,852 S *	8/2021	Mauter	D3/905
D659,400 S *	5/2012	Kraemer	D3/304	D938,726 S *	12/2021	Stelmarski	D3/304
D669,540 S *	10/2012	Hu	D19/92	D944,014 S *	2/2022	Strum	D3/901
D690,769 S *	10/2013	Hu	D19/92	2009/0178989 A1 *	7/2009	Accuardi	B65D 21/048 206/509
				2012/0074024 A1 *	3/2012	Kobilarcik	B65D 43/0202 206/509

* cited by examiner

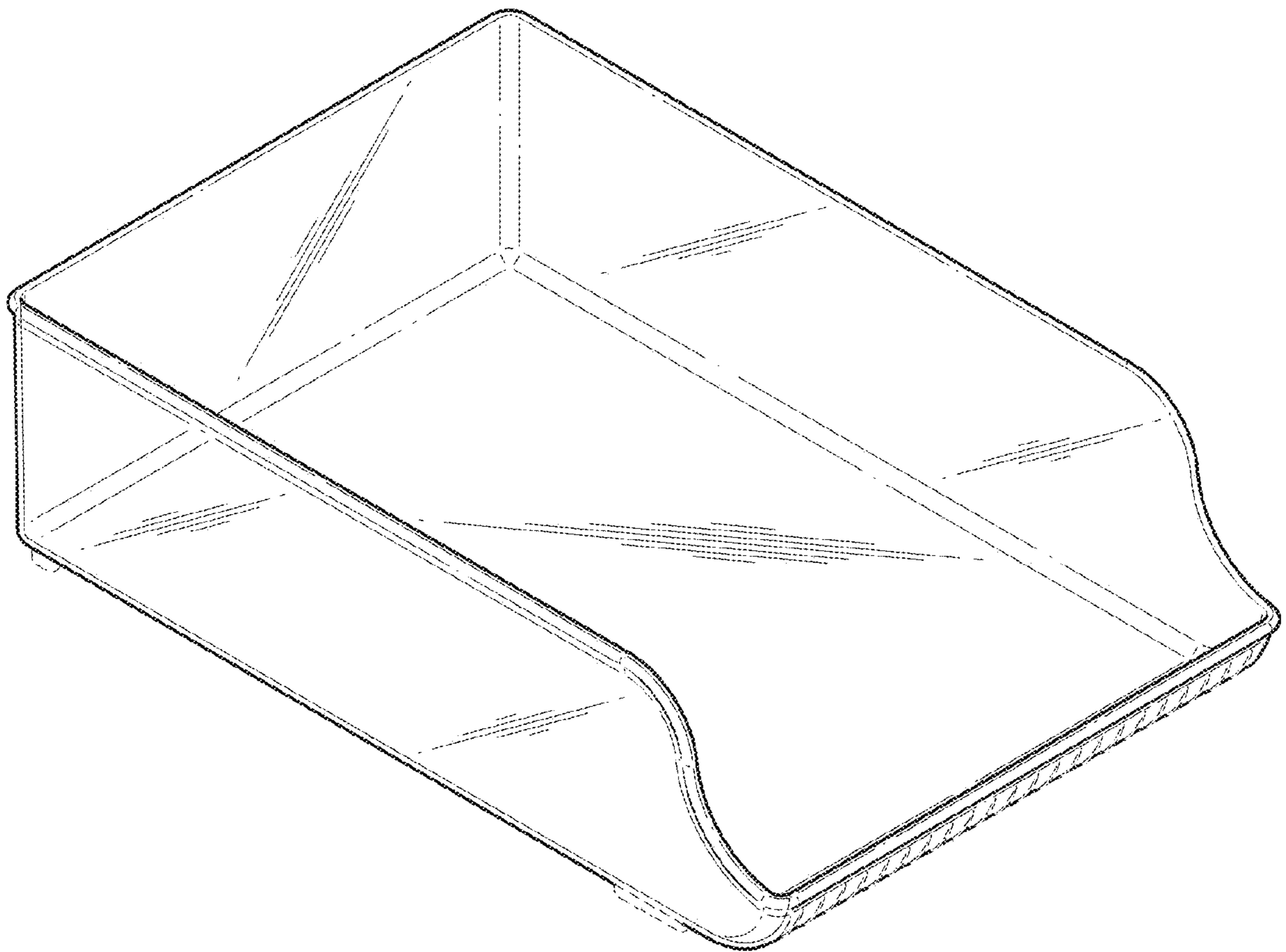


FIG. 1

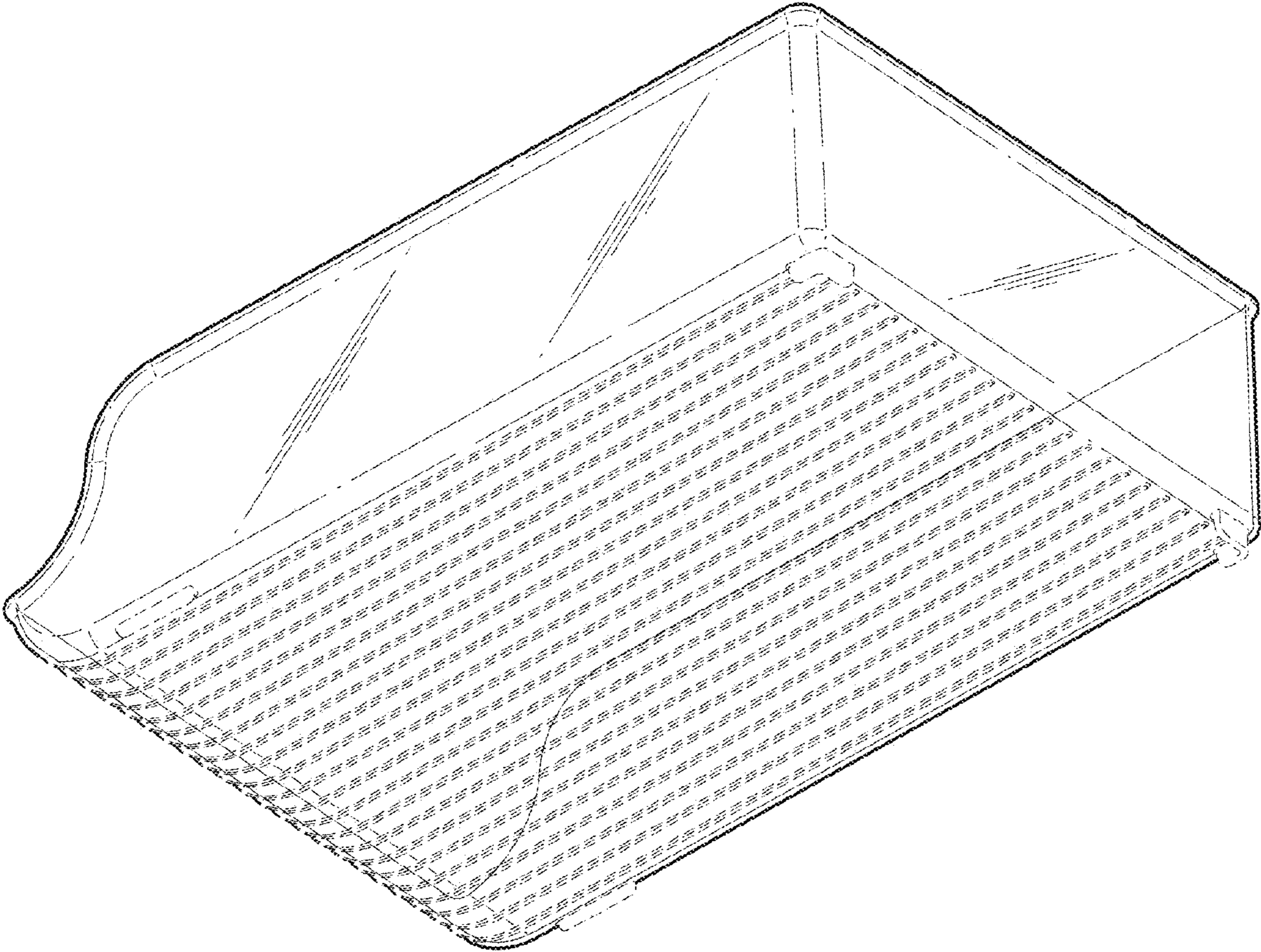


FIG. 2

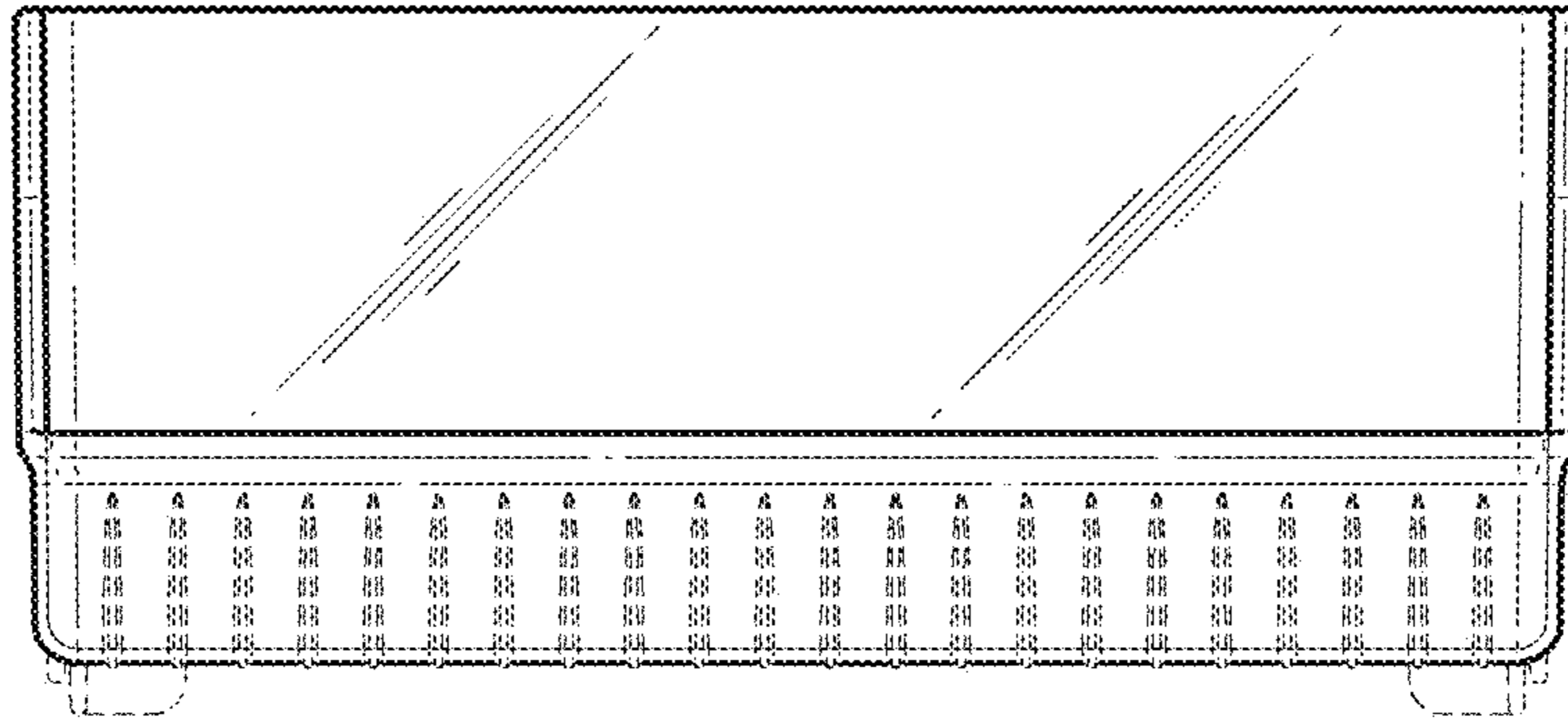


FIG. 3

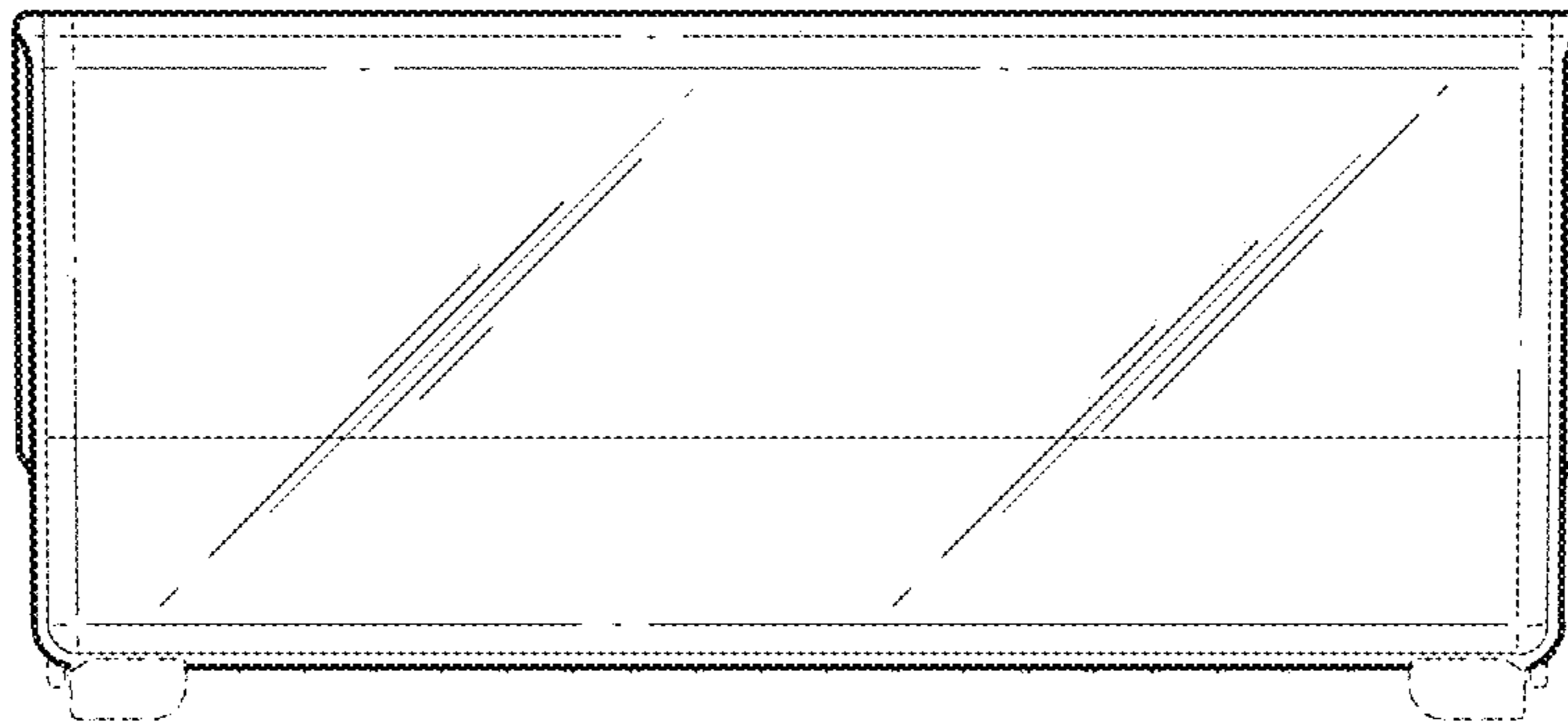


FIG. 4

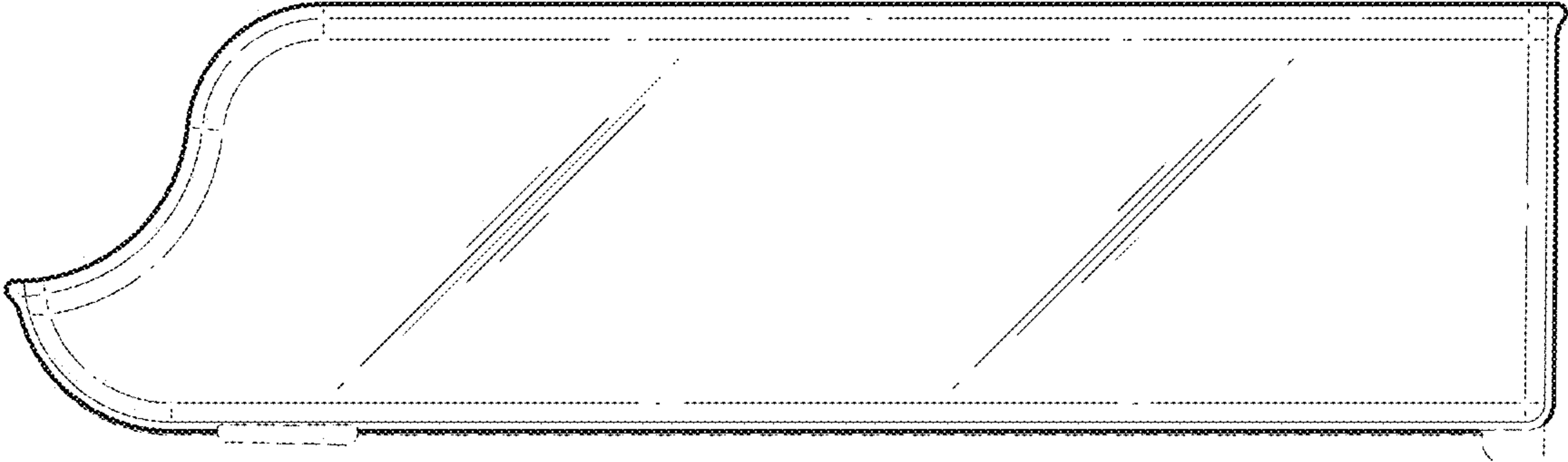


FIG. 5

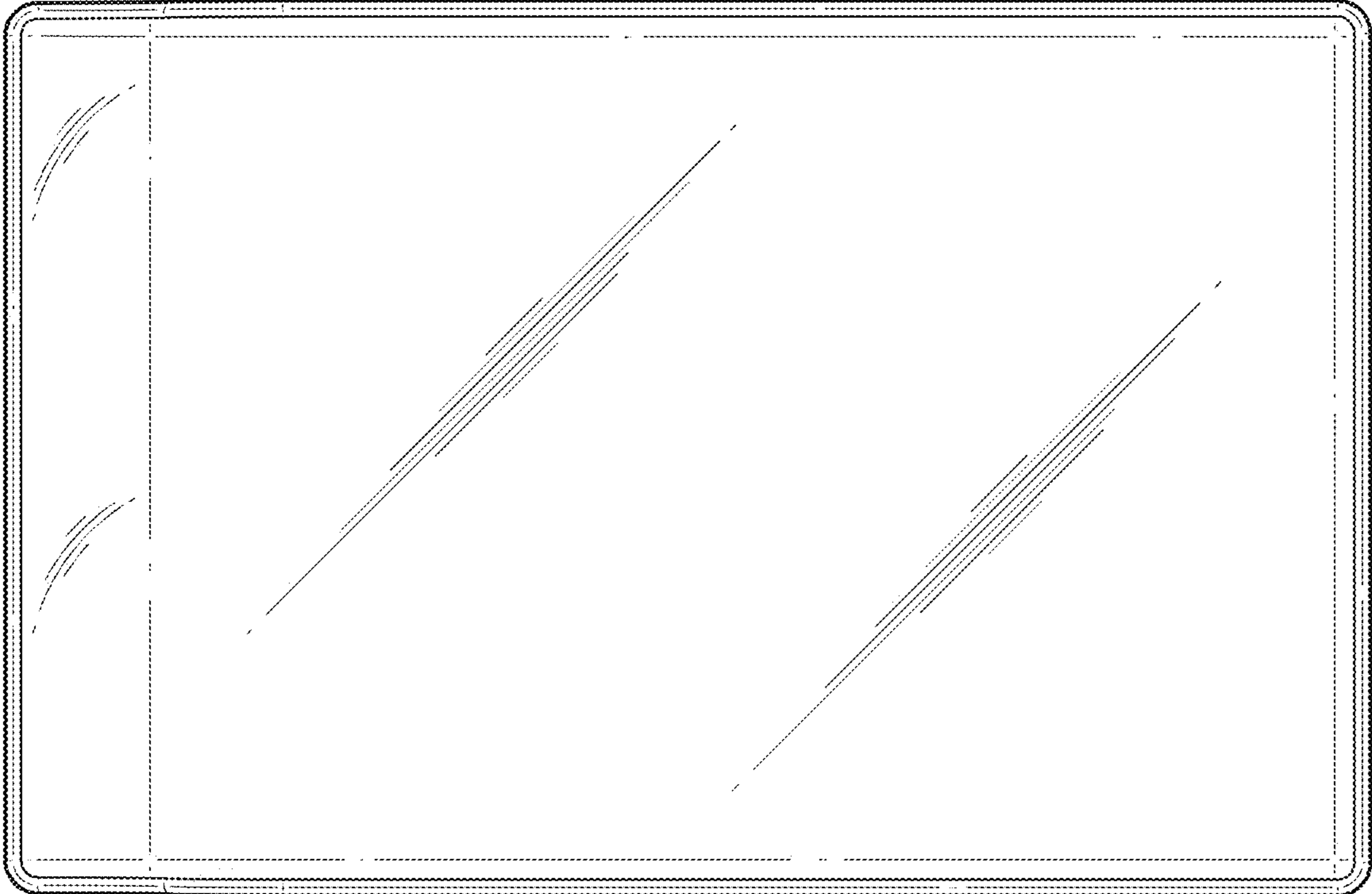


FIG. 6

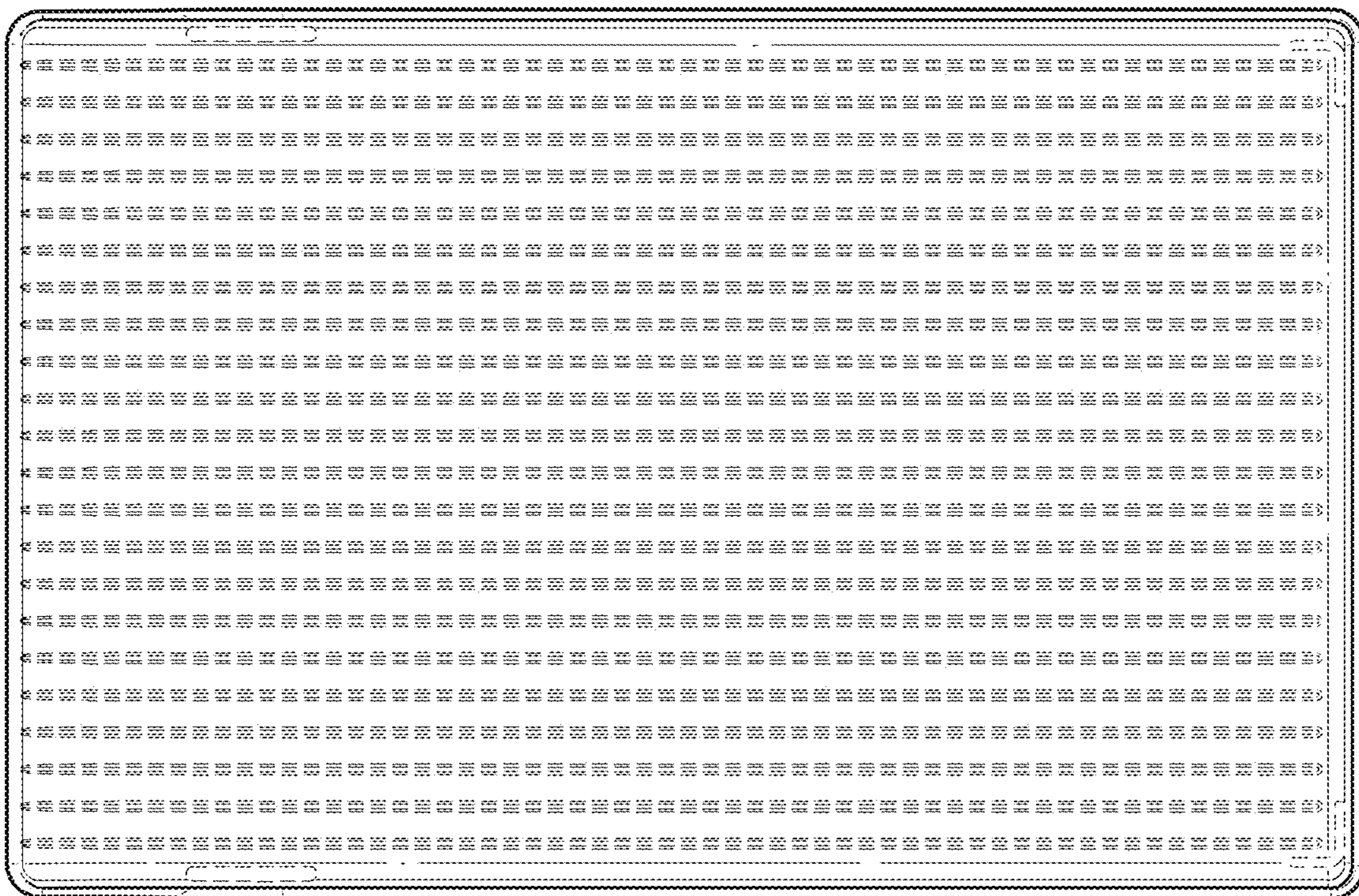


FIG. 7