



US00D963338S

(12) **United States Design Patent** (10) **Patent No.:** **US D963,338 S**
Pearson et al. (45) **Date of Patent:** **** Sep. 13, 2022**

(54) **LUGGAGE**

(71) Applicant: **Target Brands, Inc.**, Minneapolis, MN (US)

(72) Inventors: **Michael Pearson**, Minneapolis, MN (US); **Ellen Skahan**, Minneapolis, MN (US); **Stephanie Hoffherr**, Minneapolis, MN (US); **Kristina Bell**, Minneapolis, MN (US)

(73) Assignee: **Target Brands, Inc.**, Minneapolis, MN (US)

(**) Term: **15 Years**

(21) Appl. No.: **29/723,821**

(22) Filed: **Feb. 11, 2020**

(51) **LOC (13) Cl.** **03-01**

(52) **U.S. Cl.**
USPC **D3/279; D3/318; D3/321**

(58) **Field of Classification Search**
USPC **D3/273, 276, 279, 281, 291, 321, 274, D3/283, 318, 292, 319, 322, 282, 289, D3/902**

(Continued)

(56) **References Cited**

U.S. PATENT DOCUMENTS

D113,044 S * 1/1939 Long, Jr. D3/282
D136,879 S * 12/1943 Levine D3/321

(Continued)

FOREIGN PATENT DOCUMENTS

CN 3043119 * 4/1996
CN 303637330 * 4/2016

(Continued)

OTHER PUBLICATIONS

Amazon.com: Samsonite Freeform Hardside Expandable with Double Spinner Wheels, Site Visited Oct. 5, 2021, Oldest review Aug. 8,

2017 https://www.amazon.com/dp/B01LY047AR/ref=twister_B085RTH42L?_encoding=UTF8&th=1 (Year: 2017).*

(Continued)

Primary Examiner — Brett Miller

Assistant Examiner — Jessica M Gebhart

(74) *Attorney, Agent, or Firm* — Leanne Taveggia Farrell; Westman, Champlin & Koehler, P.A.

(57) **CLAIM**

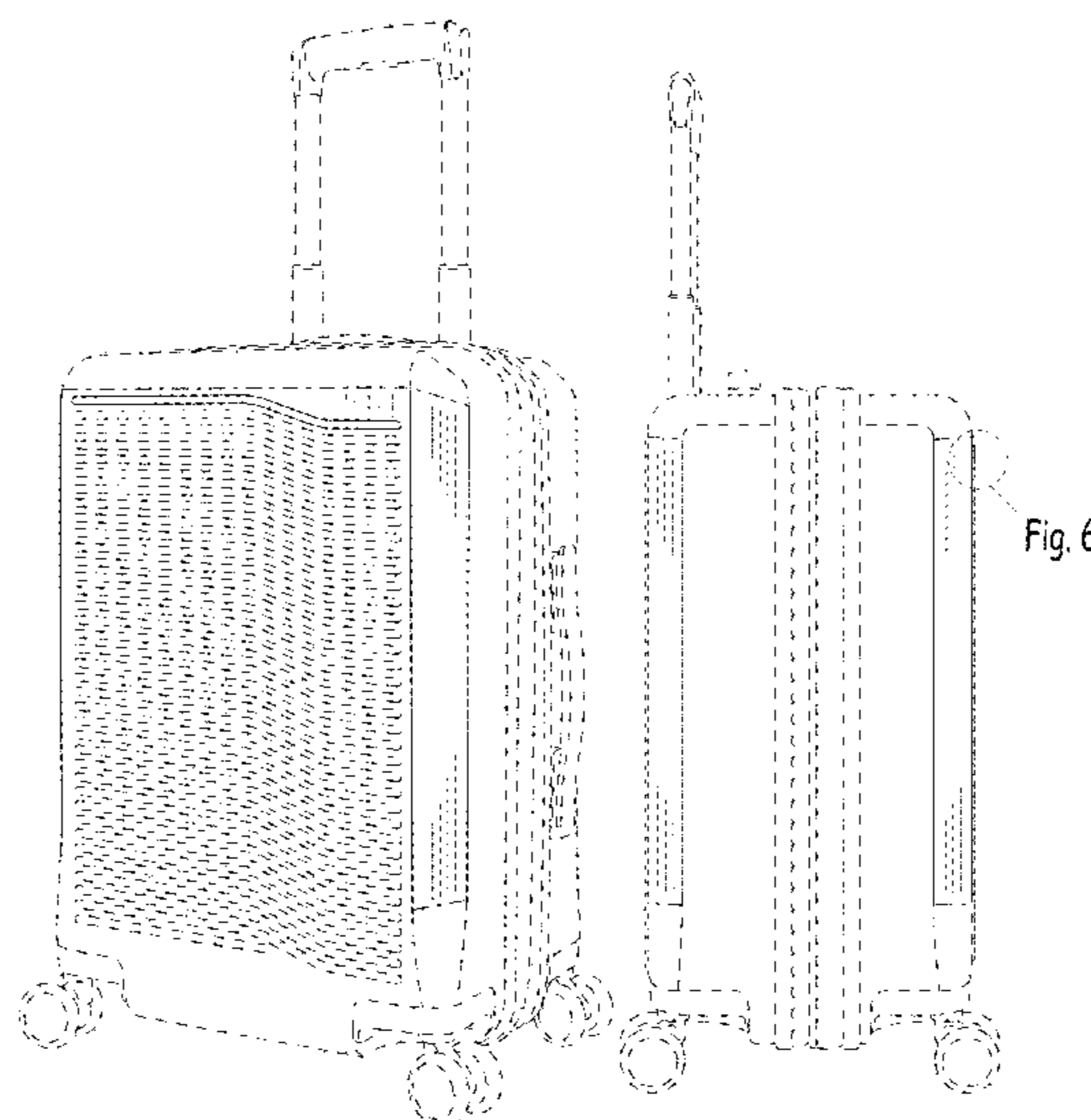
The ornamental design for a luggage, as shown and described.

DESCRIPTION

FIG. 1 is a perspective view of a first embodiment of luggage showing our new design;
FIG. 2 is a front view thereof;
FIG. 3 is a back view thereof;
FIG. 4 is a right side view thereof;
FIG. 5 is a left side view thereof;
FIG. 6 is an enlarged view of a portion of FIG. 5;
FIG. 7 is a top view thereof;
FIG. 8 is a bottom view thereof;
FIG. 9 is a perspective view of a second embodiment thereof;
FIG. 10 is a front view of FIG. 9;
FIG. 11 is a back view of FIG. 9;
FIG. 12 is a right side view of FIG. 9;
FIG. 13 is a left side view of FIG. 9;
FIG. 14 is an enlarged view of a portion of FIG. 13;
FIG. 15 is a top view of FIG. 9; and,
FIG. 16 is a bottom view of FIG. 9.

The dash-dash-dash broken lines shown in the drawings are included for purposes of illustrating portions of the luggage and form no part of the claimed design. The dash-dot-dash broken lines shown in the drawings depict the boundary of the claim and form no part of the claim.

1 Claim, 12 Drawing Sheets



(58) **Field of Classification Search**

CPC A45C 5/14; A45C 5/00; A45C 2003/008;
A45C 2005/032

See application file for complete search history.

(56) **References Cited**

U.S. PATENT DOCUMENTS

D299,589	S	*	1/1989	Uchiyama	D3/279
D299,590	S	*	1/1989	Omino	D3/269
D324,308	S	*	3/1992	Chen	D3/282
D326,187	S	*	5/1992	Chauvin	D3/279
D331,663	S	*	12/1992	Roncato	D3/292
D336,990	S	*	7/1993	Liebelt	D3/292
D352,168	S	*	11/1994	Aumasson	D3/276
D455,263	S	*	4/2002	Schoen	D3/276
D459,580	S	*	7/2002	Chen	D3/273
D473,380	S	*	4/2003	Chen	D3/322
D504,232	S	*	4/2005	Chen	D3/321
D512,566	S	*	12/2005	Nuovo	D3/321
D521,235	S	*	5/2006	Lai	D3/276
D563,101	S	*	3/2008	Kuchler	D3/279
D711,647	S	*	8/2014	Chen	D3/279
D723,281	S	*	3/2015	Wang	D3/321
D768,985	S		10/2016	Morszeck		
D771,382	S	*	11/2016	Maeda	D3/279
D784,016	S		4/2017	Morszeck		
D789,691	S	*	6/2017	Burns	D3/318
D790,855	S		7/2017	Ji		
D796,199	S	*	9/2017	Law	D3/279
D801,047	S		10/2017	Bhatnagar et al.		
D816,336	S		5/2018	Morszeck		
D817,638	S		5/2018	Salander et al.		
D838,232	S		1/2019	Du		
D868,470	S	*	12/2019	Moon	D3/318
D899,776	S	*	10/2020	Rubio	D3/318
D919,969	S	*	5/2021	Chen	D3/279

FOREIGN PATENT DOCUMENTS

CN	304396772	*	12/2017
CN	304764937	*	8/2018
CN	305506675	*	12/2019
EM	002277574-0002	*	8/2013
EM	007145461-0013	*	11/2019
GB	1049206	*	9/1988
IN	280278-0001	*	7/2016
IN	296305-0001	*	6/2019

OTHER PUBLICATIONS

Away, "The Carry-On: Aluminum Edition", https://www.awaytravel.com/suitcases/aluminum-carry-on?gclid=Cj0KCQiA_rfvBRCPARIsANIV66ONwWSQynTGVXMScQ1xwZAYH3D1BJ0w8EoVWd8xHXj3QqwdGJDtSRkaAjxVEALw_wCB, at least as early as Dec. 9, 2019, 1 page.

Bed Bath & Beyond, "Kenneth Cole New York Sudden Impact 20-Inch Hardside Spinner Carry On Luggage", <https://www.bedbathandbeyond.com/store/product/kenneth-cole-new-york-sudden-impact-20-inch-hardside-spinner-carry-on-luggage/3275894/>, at least as early as Dec. 9, 2019, 1 page.

Samsonite, "Spettro 20" Spinner", <https://shop.samsonite.com/luggage/carry-on-luggage/spettro-20-spinner/106459XXXX.html?LSNSUBSITE=LSNSUBSITE&ranSiteID=93xLBvPhAeE-q8uO4YdveSXLfYy.HvqRDw&ranMID=36605&ranEAID=93xLBvPhAeE>, at least as early as Dec. 9, 2019, 1 page.

Rakuten, "Proteca suitcase stratum Stratum carry case TSA lock 64L 5-6 nights ACE 00851", <https://global.rakuten.com/en/store/galleria/item/00851/>, at least as early as Dec. 9, 2019, 1 page.

Away, "The Carry-On: Aluminum Edition", https://www.awaytravel.com/suitcases/aluminum-carry-on?gclid=Cj0KCQiA_rfvBRCPARIsANIV66ONwWSQynTGVXMScQ1xwZAYH3D1BJ0w8EoVWd8xHXj3QqwdGJDtSRkaAjxKVEALw_wCB, at least as early as Dec. 9, 2019, 1 page.

* cited by examiner

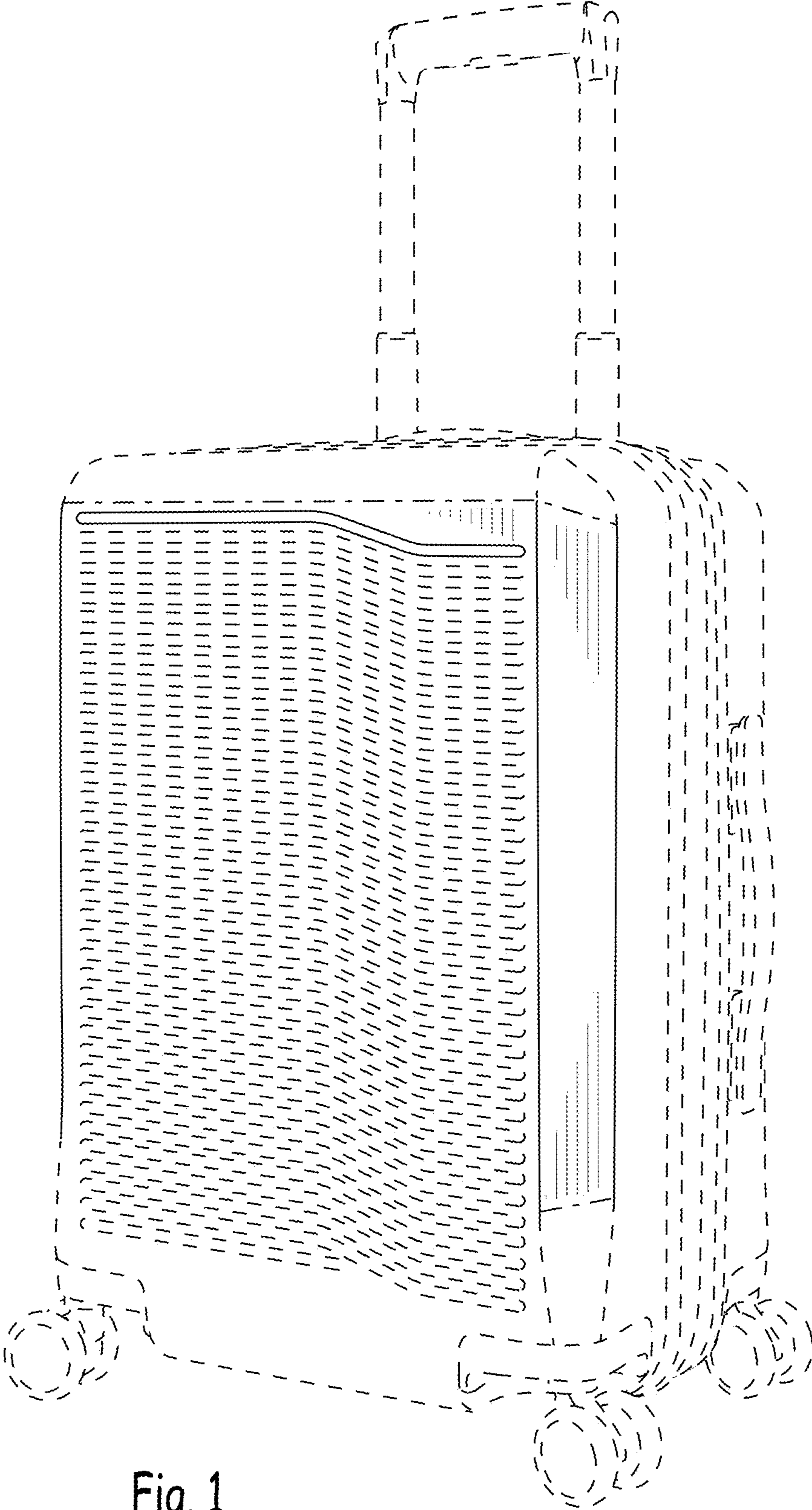


Fig. 1

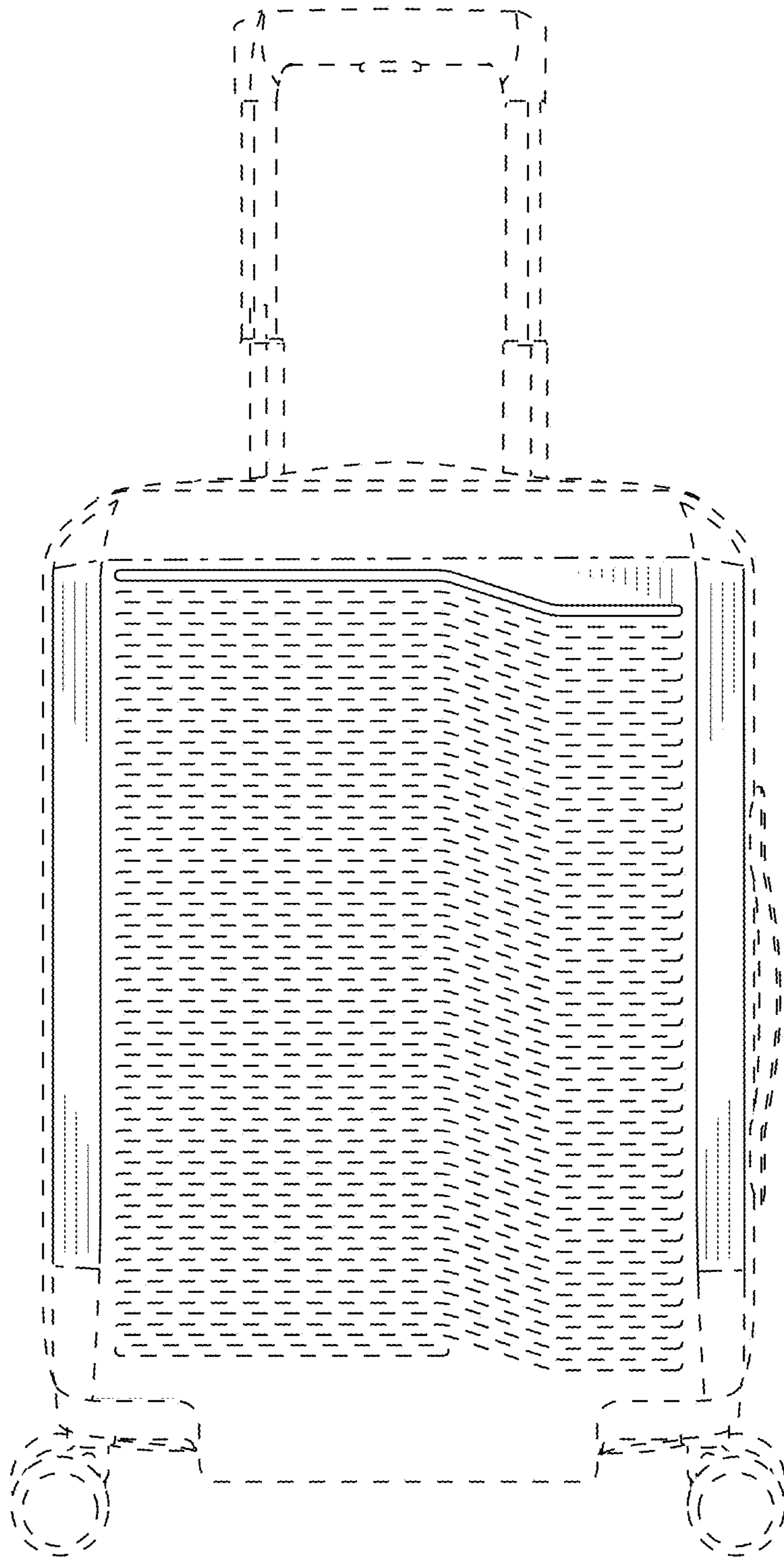


Fig. 2

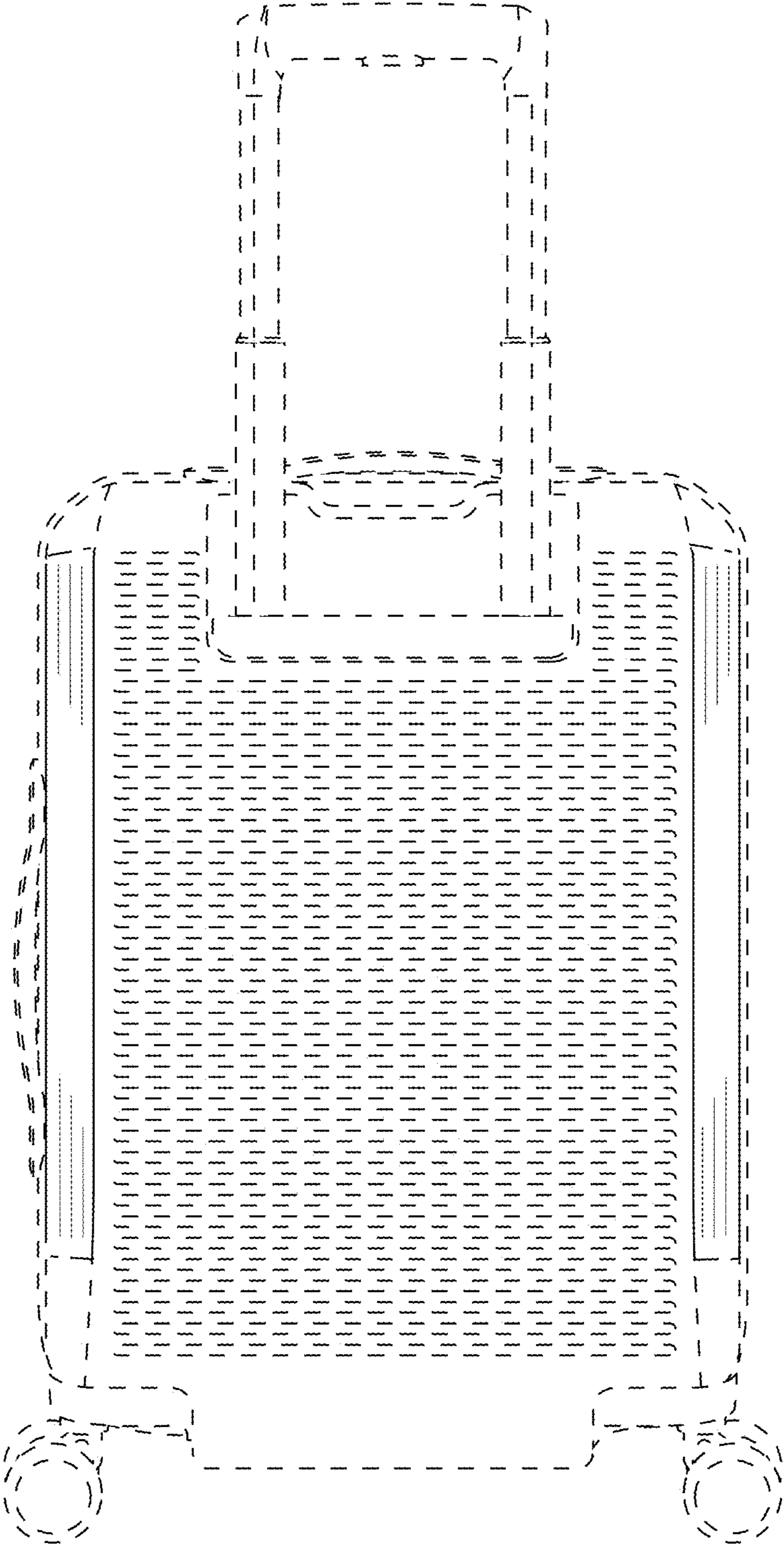


Fig. 3

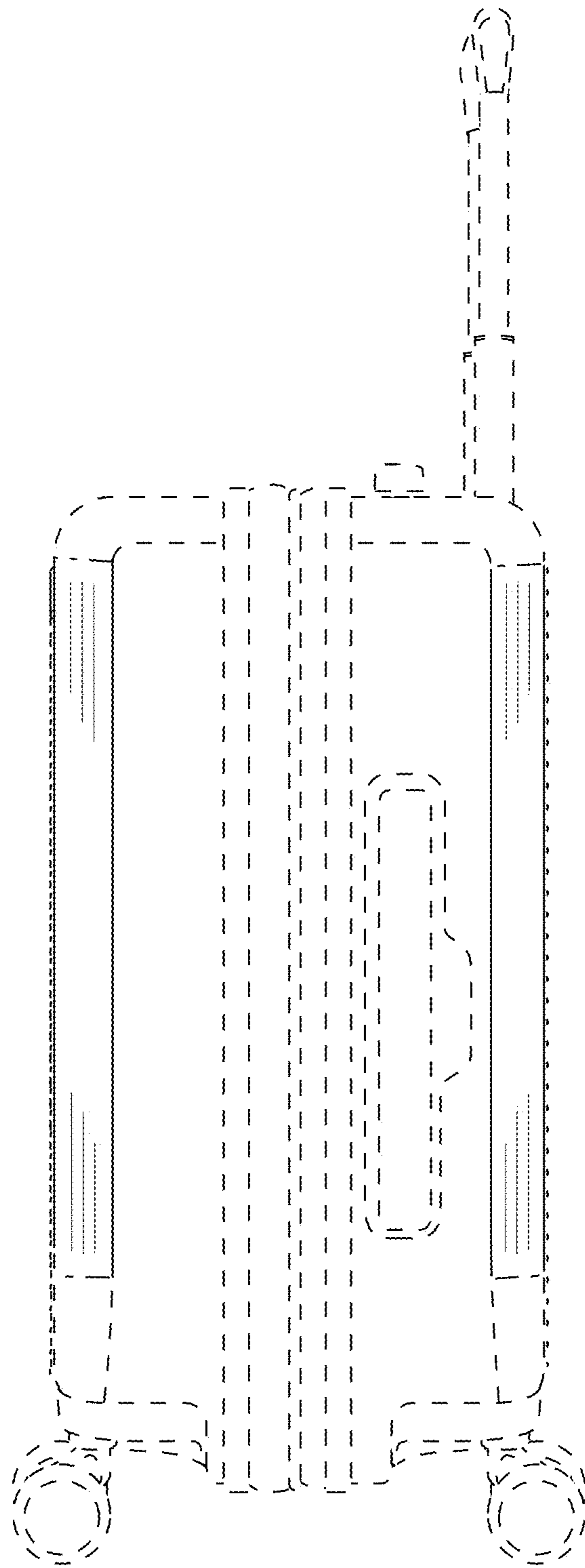


Fig. 4

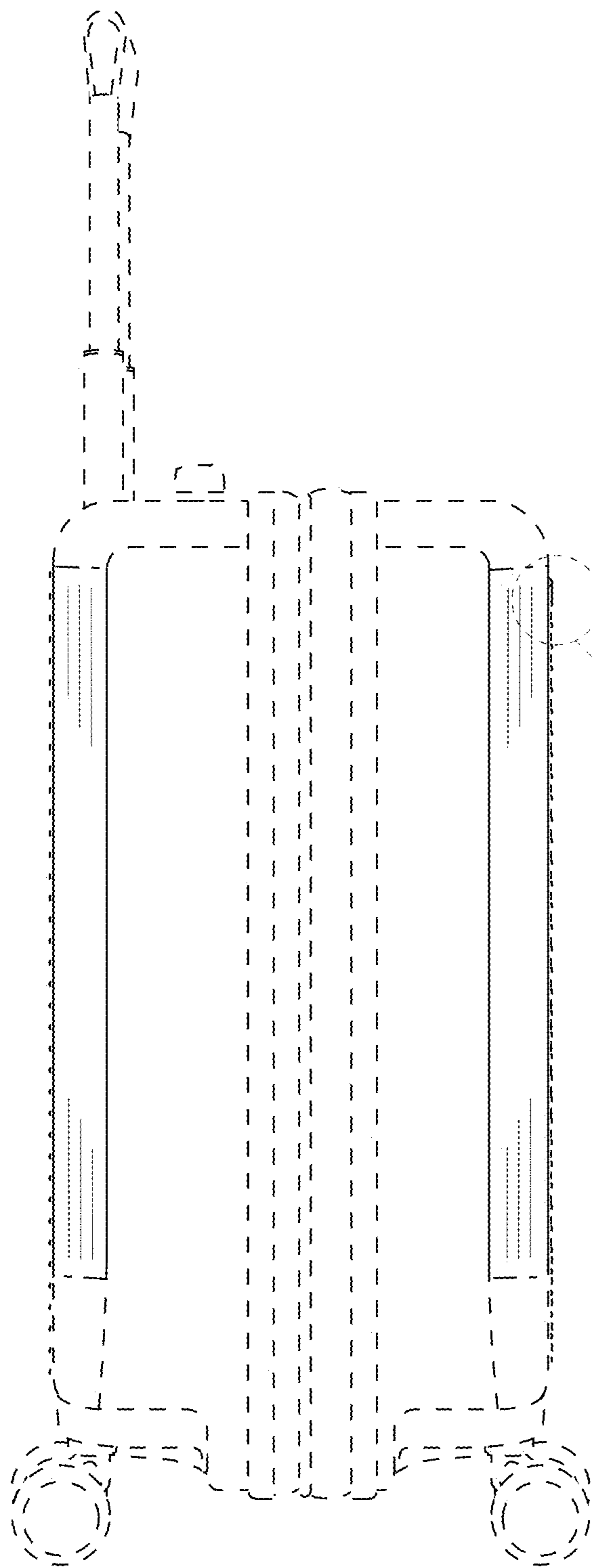


Fig. 5

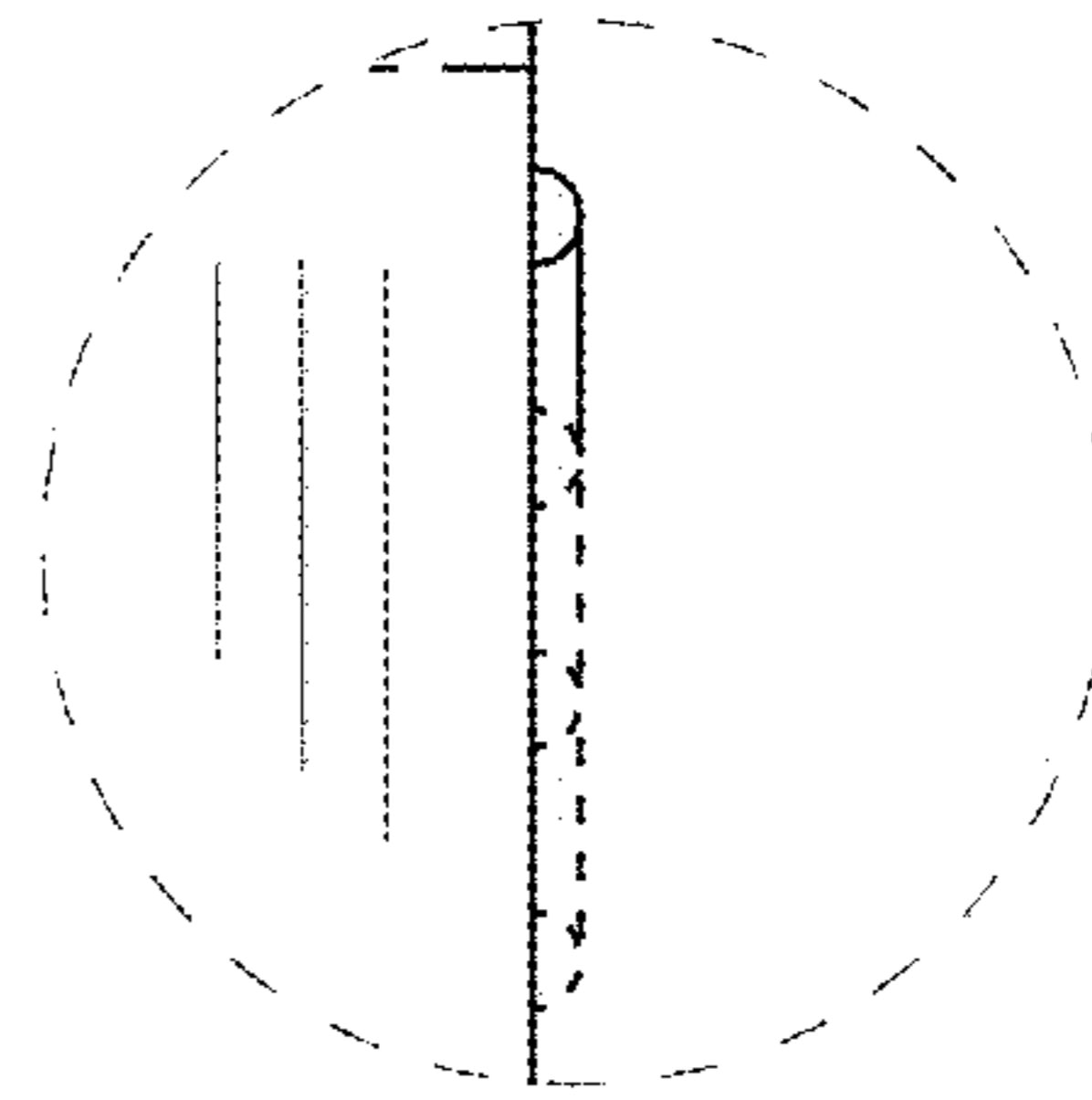


Fig. 6

Fig. 6

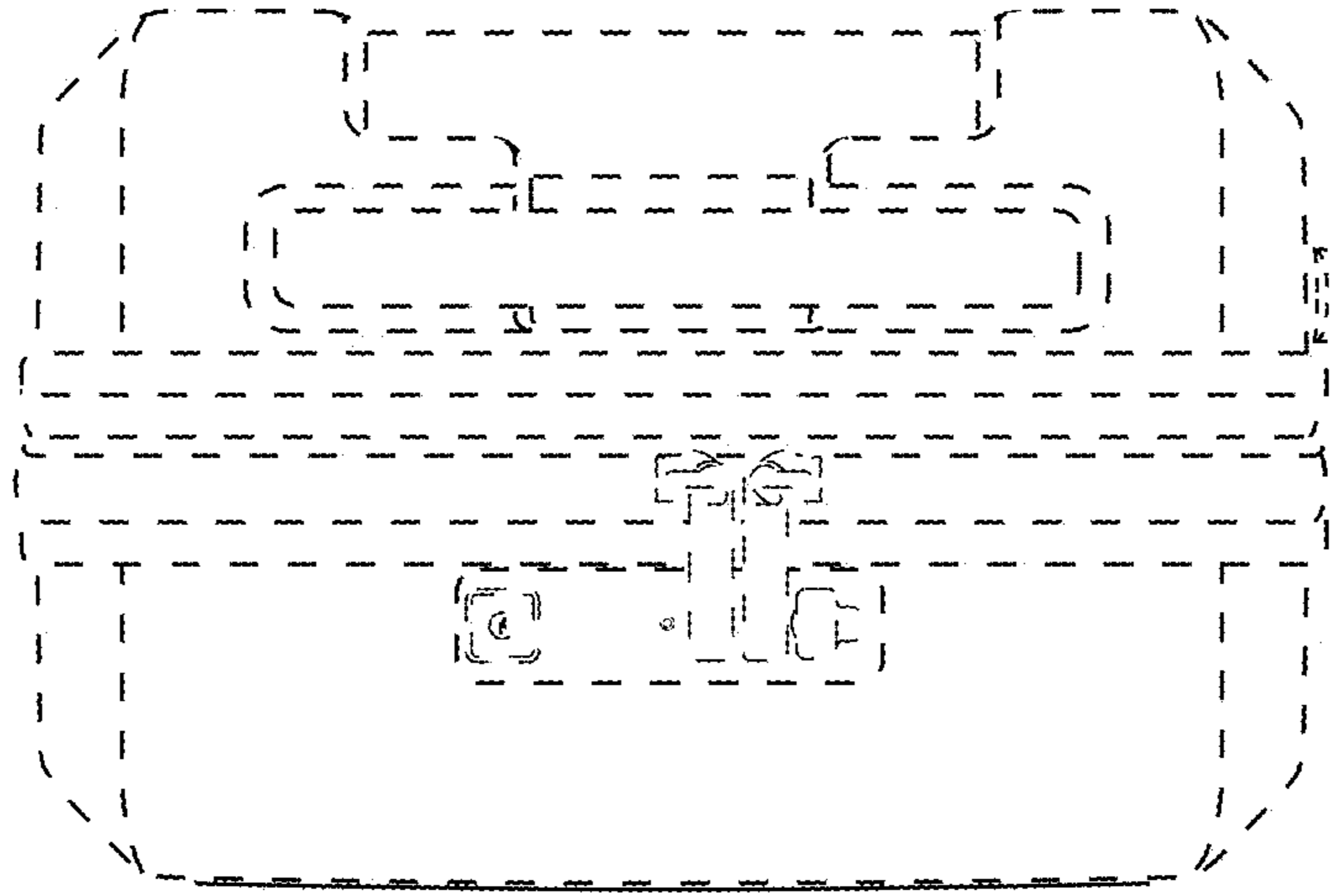


Fig. 7

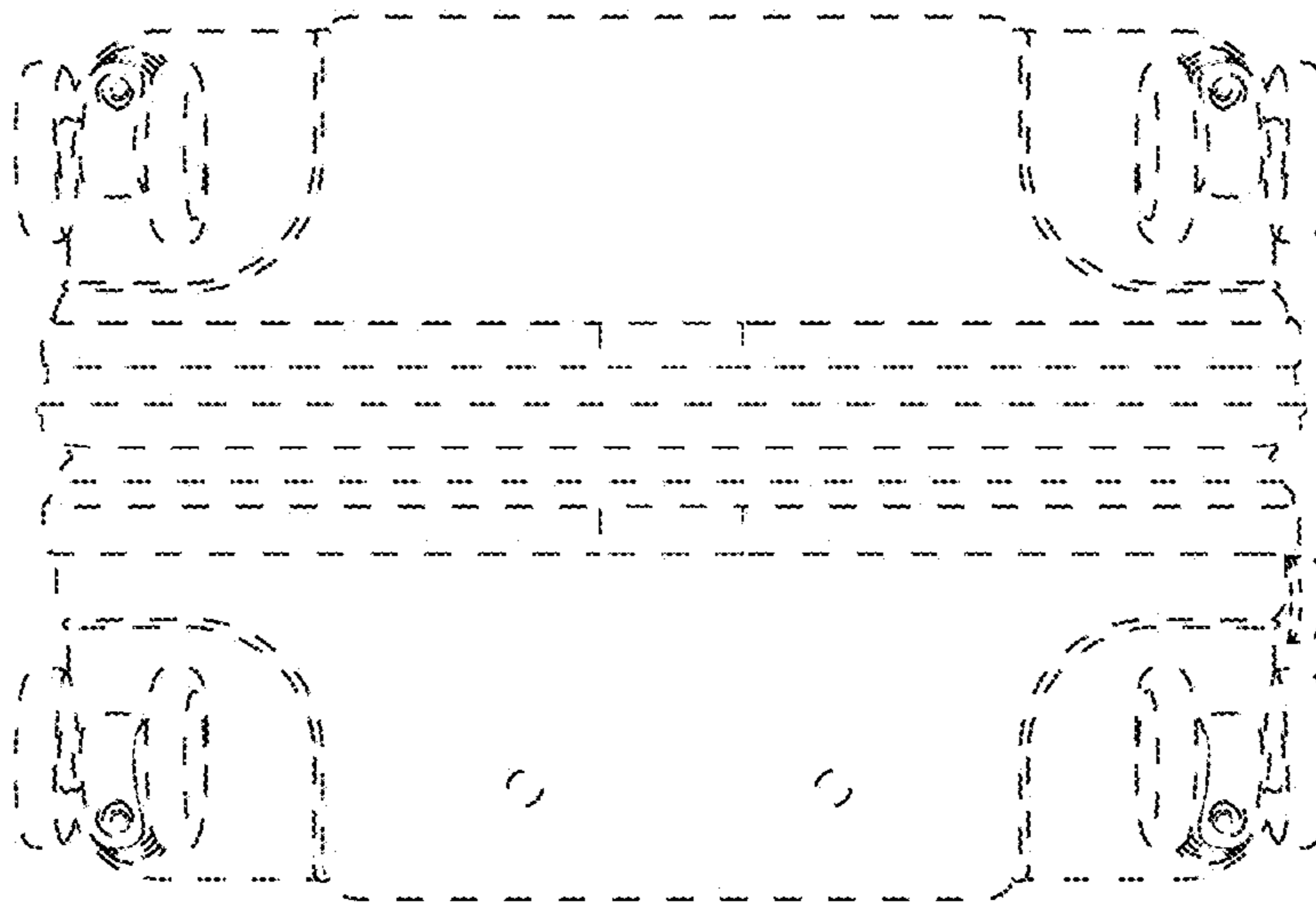


Fig. 8

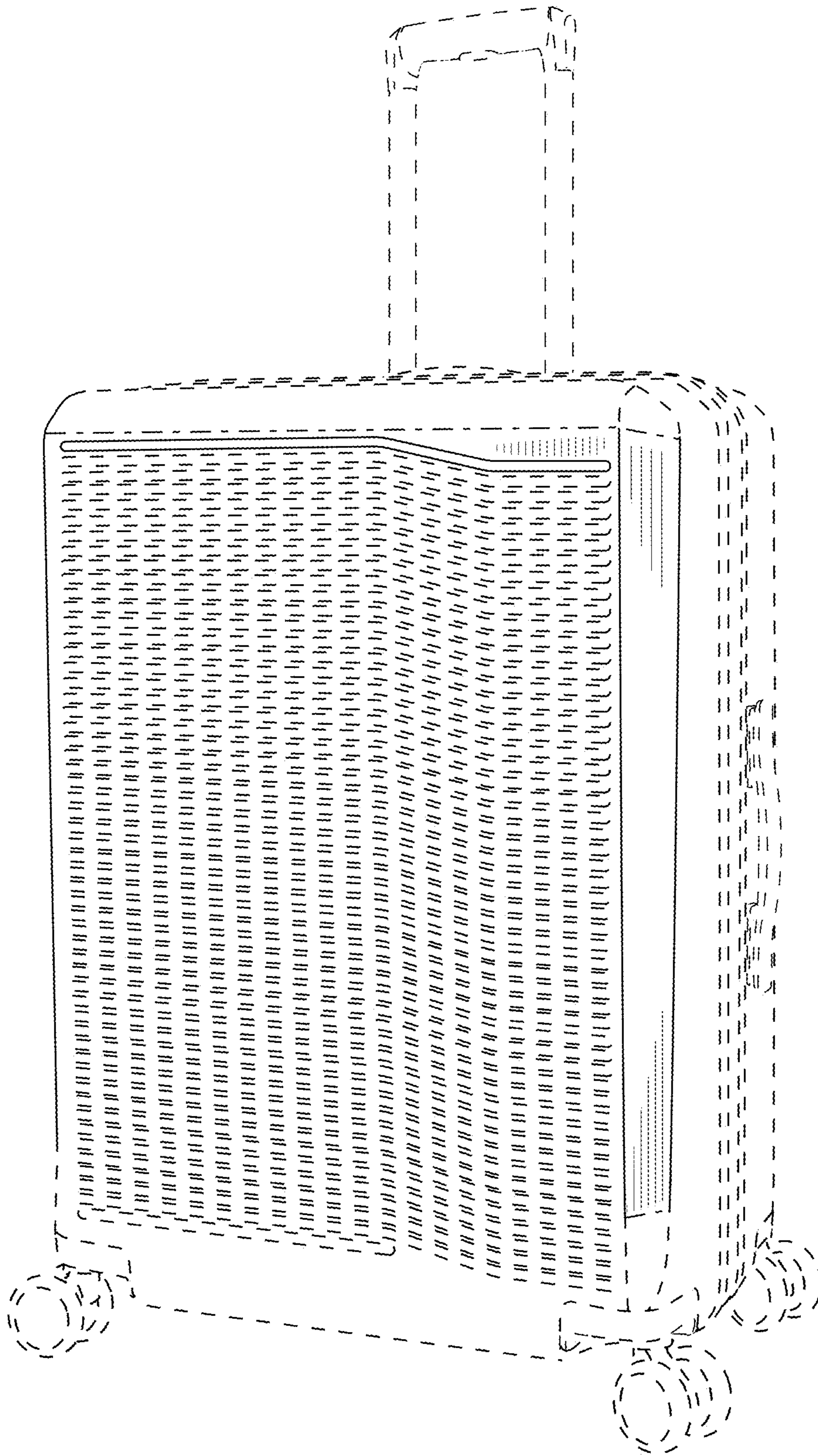


Fig. 9

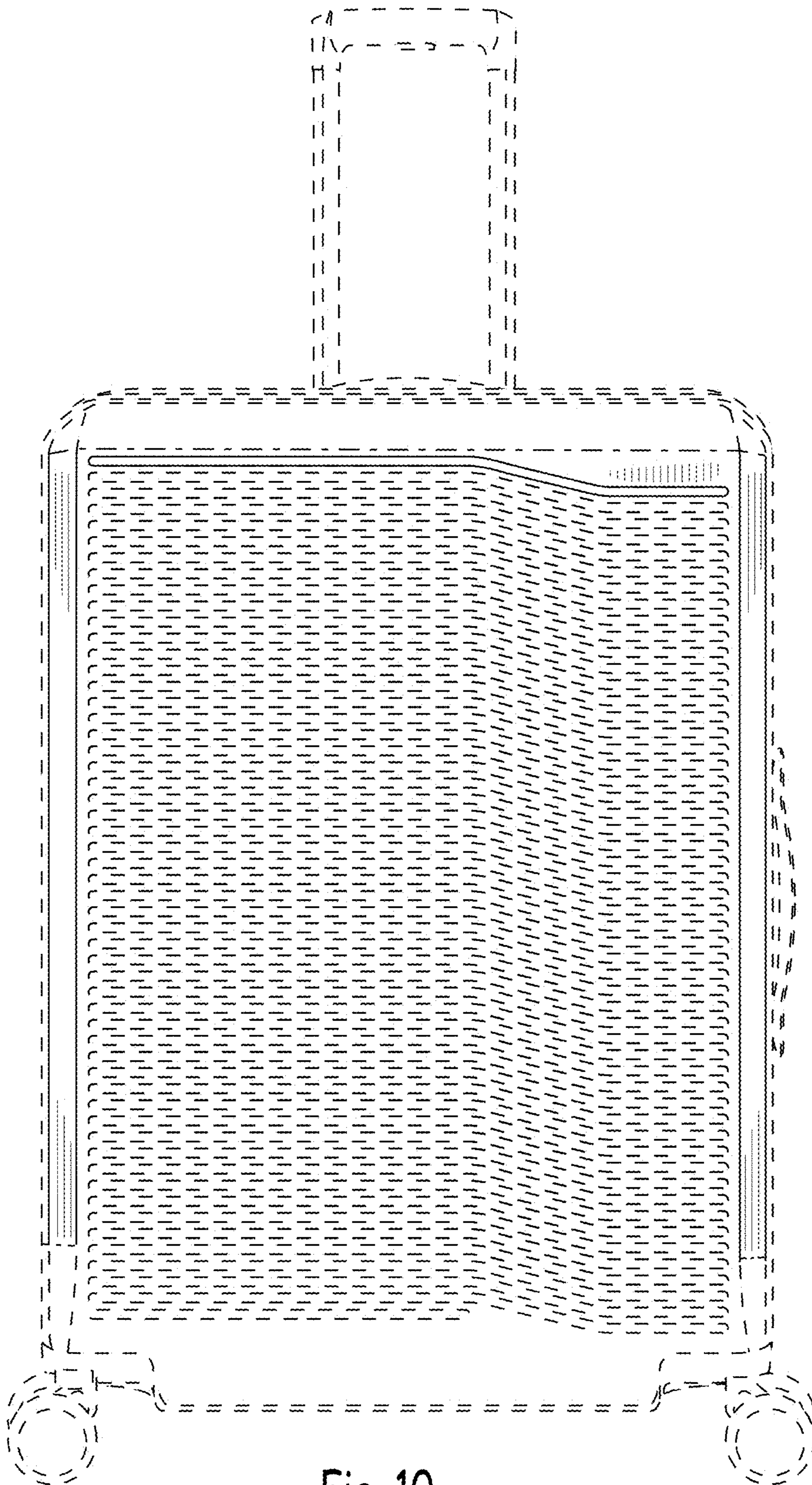


Fig. 10

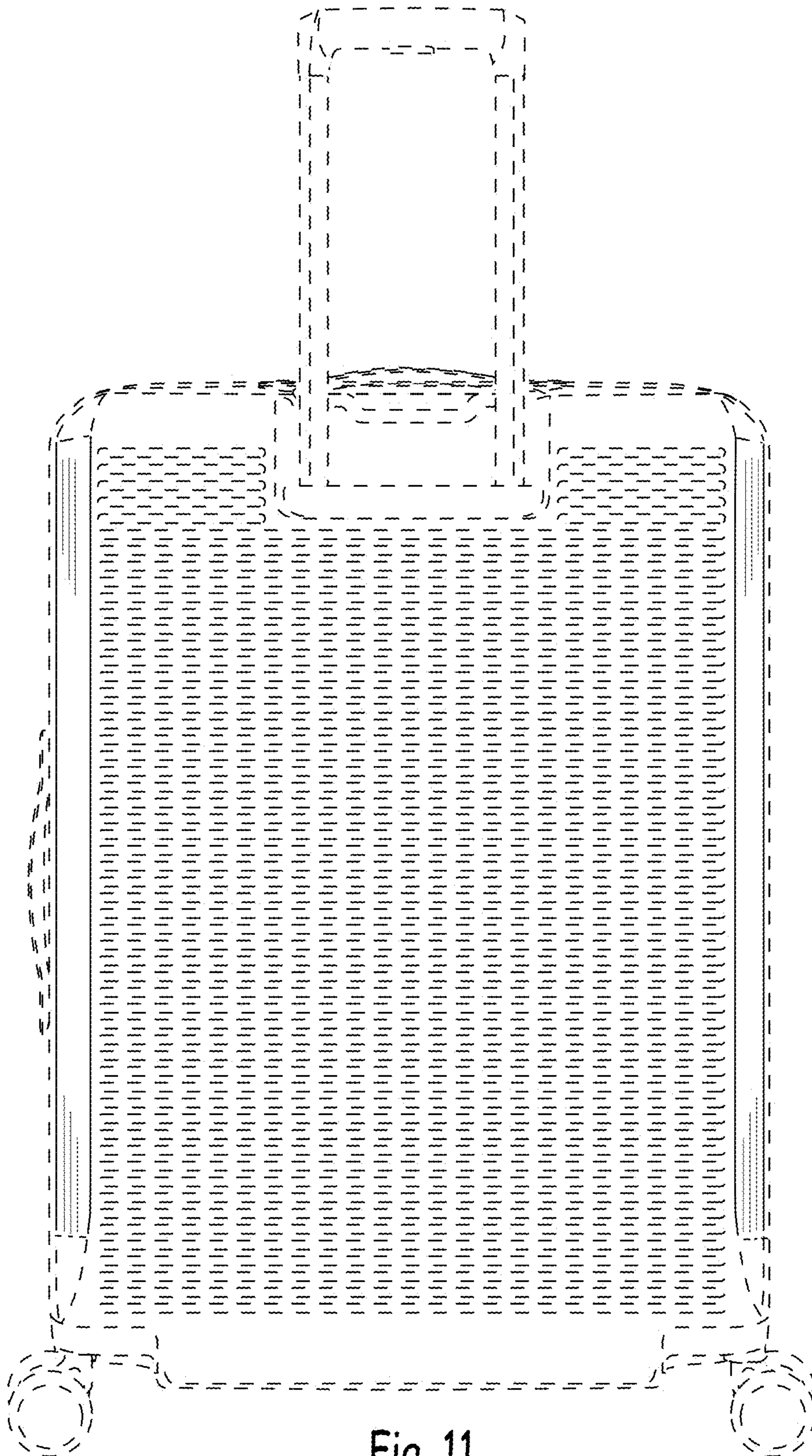


Fig. 11

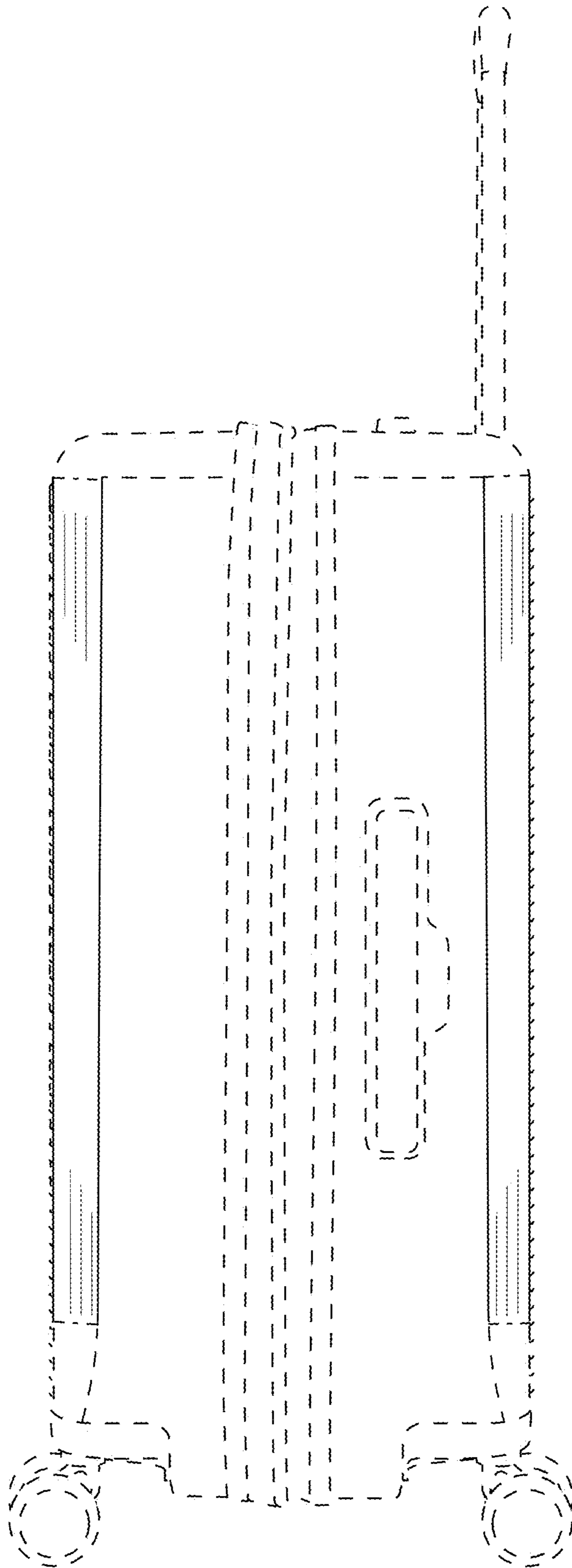


Fig. 12

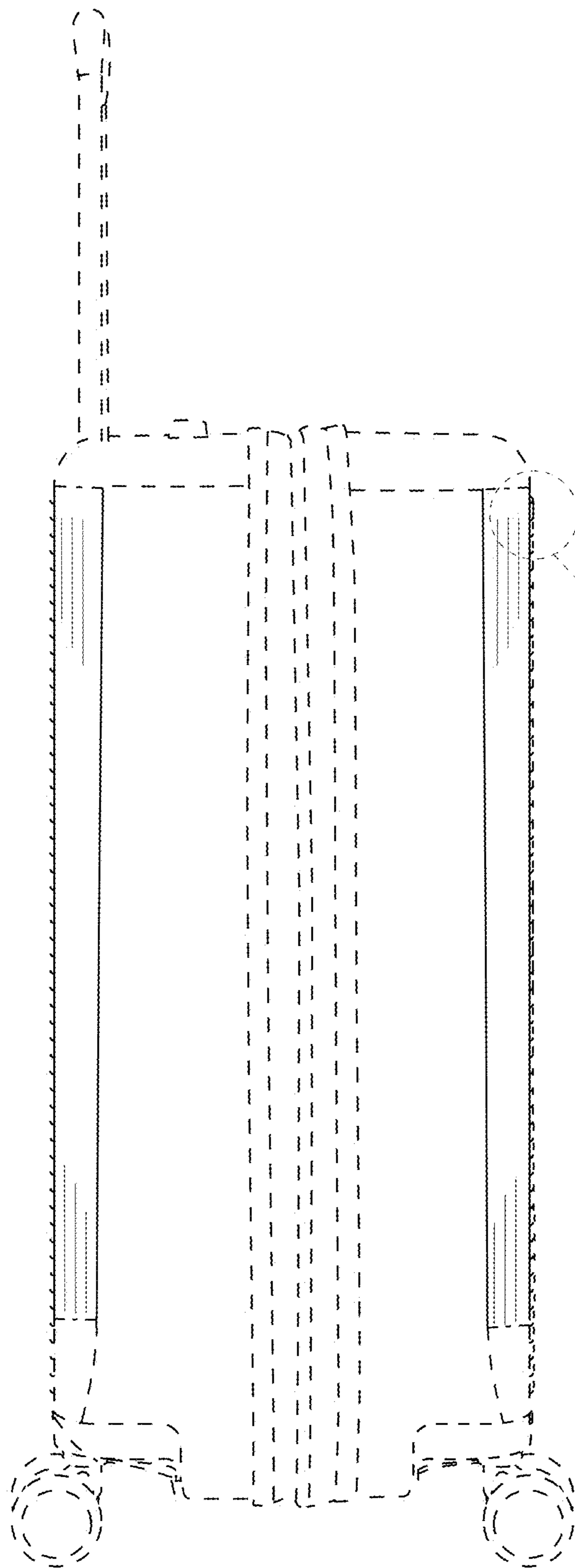


Fig. 13

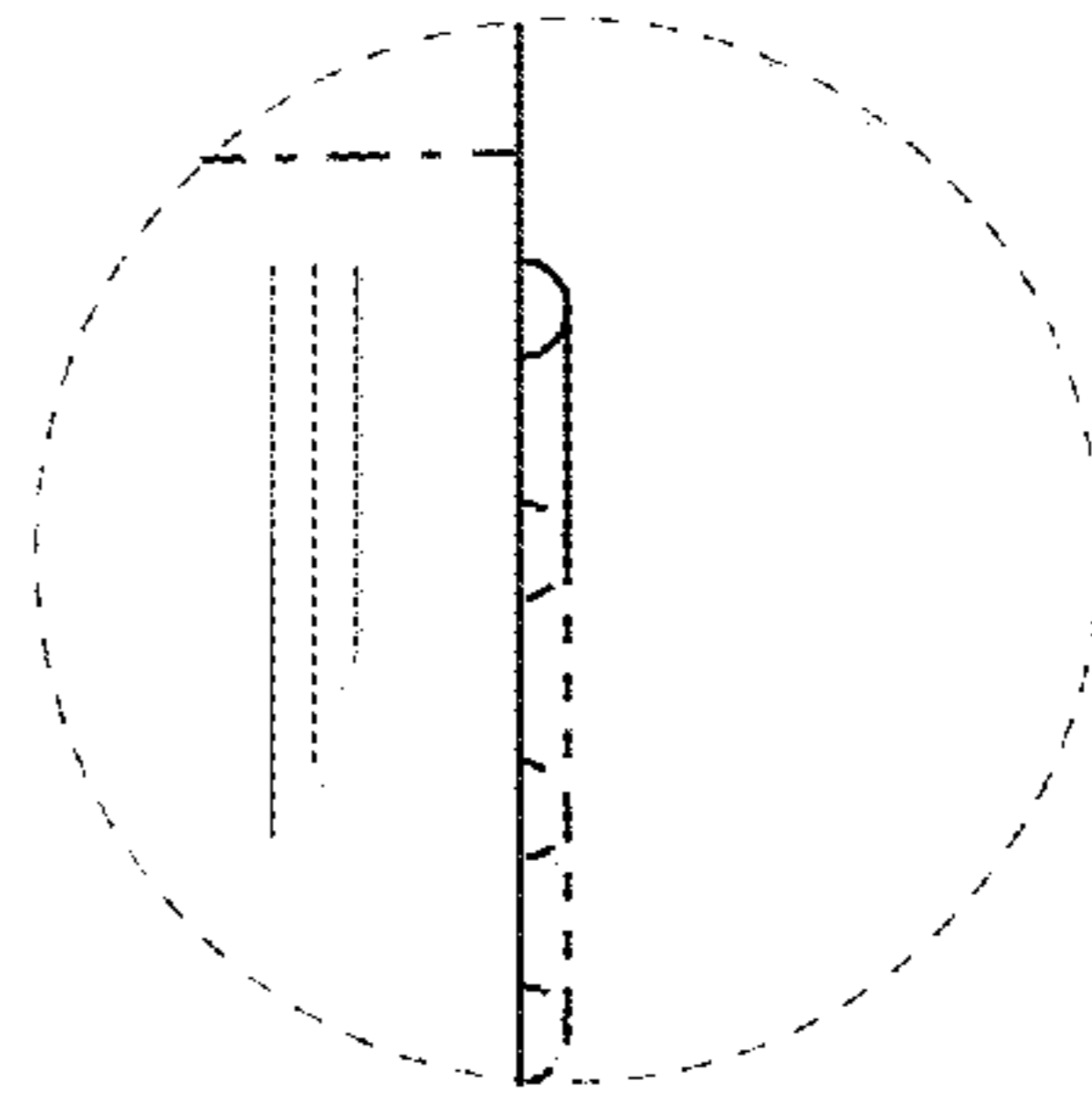


Fig. 14

Fig. 14

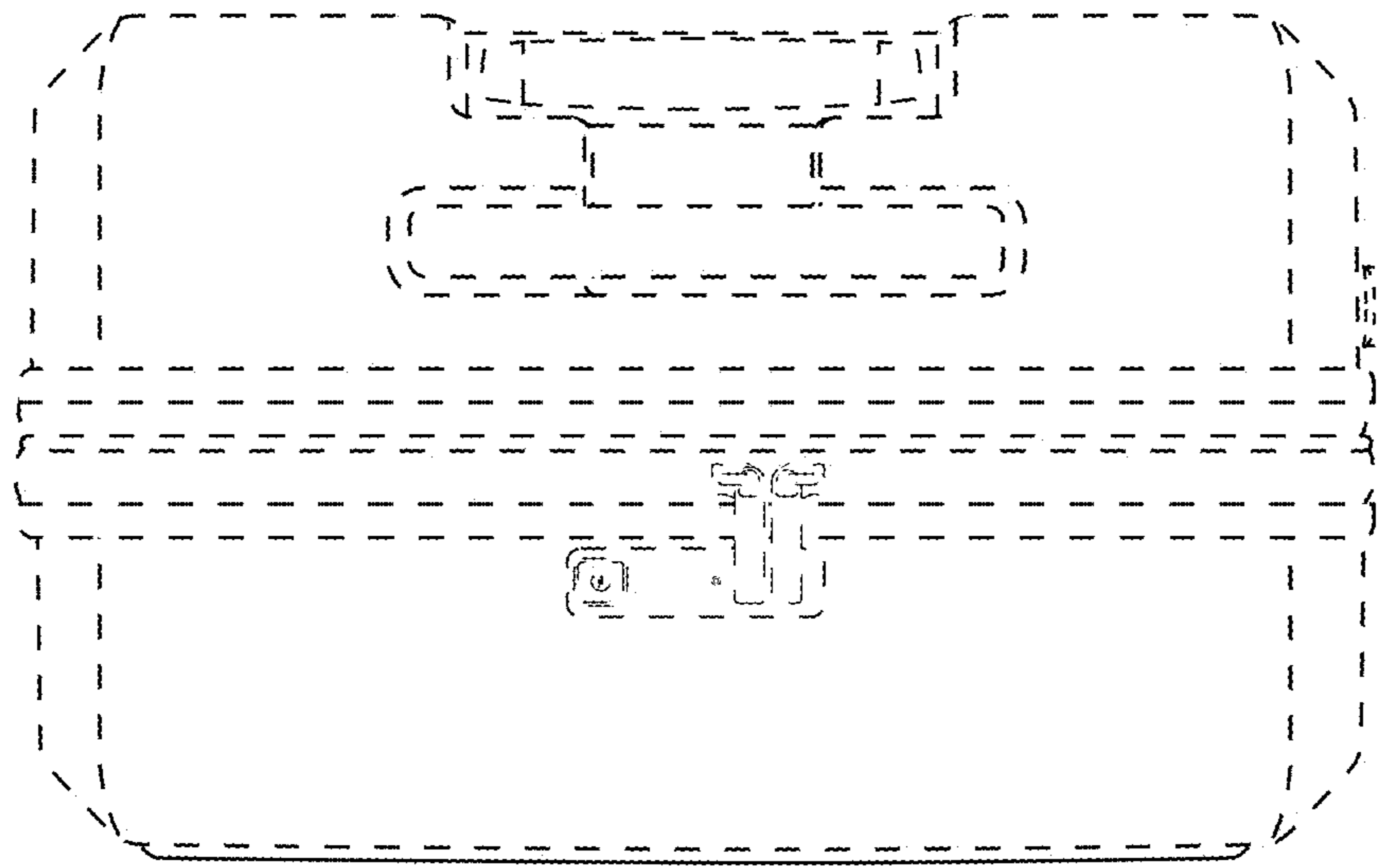


Fig. 15

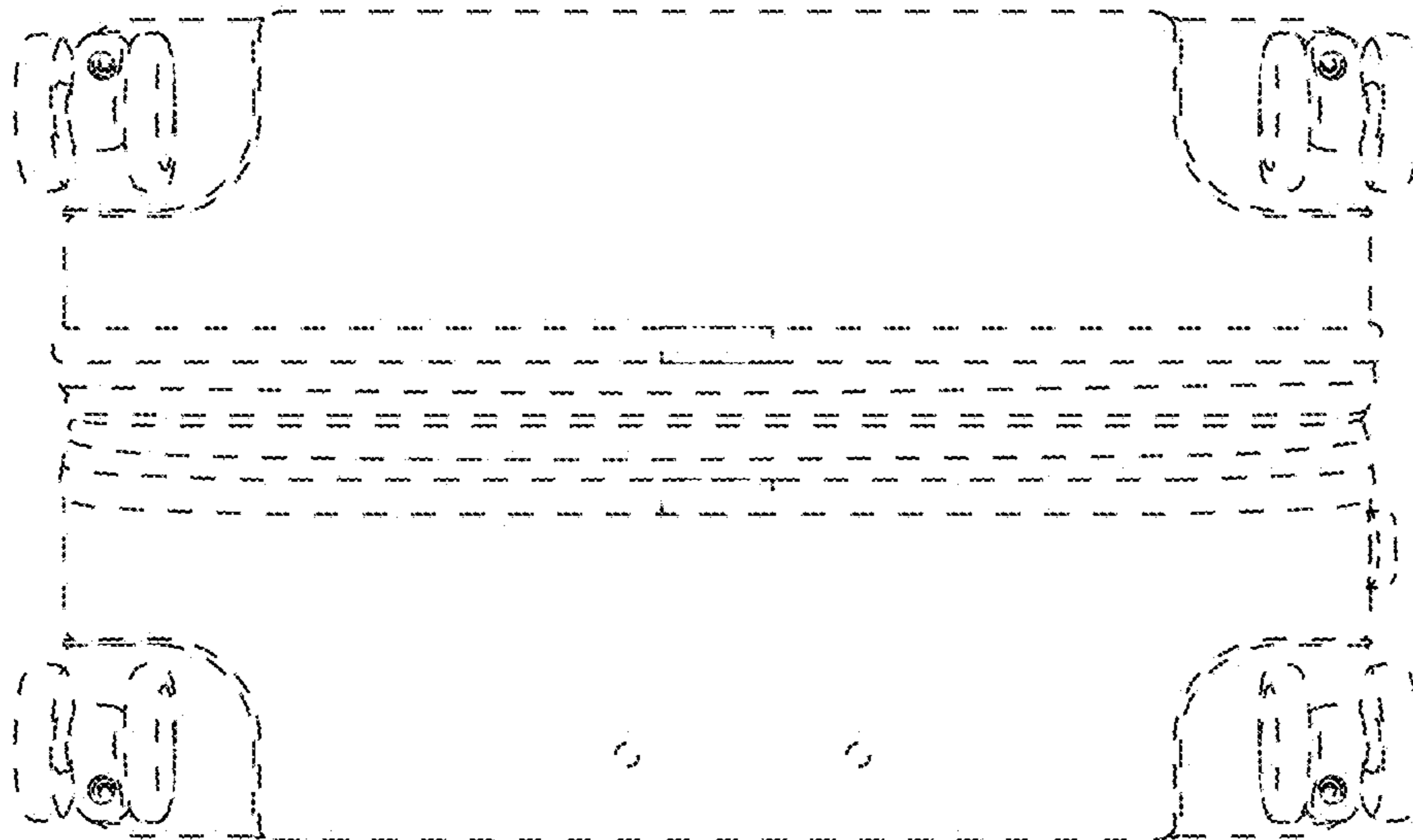


Fig. 16