



US00D963337S

(12) **United States Design Patent** (10) **Patent No.:** **US D963,337 S**
Chagnon et al. (45) **Date of Patent:** **** Sep. 13, 2022**

(54) **CASE WITH AN EXTENDABLE HANDLE**

FOREIGN PATENT DOCUMENTS

(71) Applicants: **José Chagnon**, Repentigny (CA);
Benjamin Coley, Repentigny (CA)

FR 2681370 A1 3/1993
WO 9602424 A1 2/1996

(72) Inventors: **José Chagnon**, Repentigny (CA);
Benjamin Coley, Repentigny (CA)

OTHER PUBLICATIONS

(73) Assignee: **Plasticase, Inc.**, Terrebonne (CA)

B&H Photo, "Nanuk 945 Case (Black)", First reviewed Aug. 6, 2014. (https://www.bhphotovideo.com/c/product/902436-REG/Nanuk_945_0001_Case_Black.html/reviews) (Year: 2014).*

(**) Term: **15 Years**

(Continued)

(21) Appl. No.: **29/700,138**

Primary Examiner — April Rivas

(22) Filed: **Jul. 31, 2019**

(74) Attorney, Agent, or Firm — Donald S. Showalter;
GrayRobinson, P.A.

(51) **LOC (13) Cl.** **03-01**

(57) **CLAIM**

(52) **U.S. Cl.**

The ornamental design of a case with an extendable handle, as shown and described.

USPC **D3/279**; D3/294

DESCRIPTION

(58) **Field of Classification Search**

USPC D3/262, 272, 273, 276, 279, 294, 905,
D3/904

CPC A45C 2005/037; A45C 5/14; A45C
2009/002; A47B 81/005

See application file for complete search history.

FIG. 1 is a front perspective view of our ornamental design of a case with an extendable handle;
FIG. 2 is a bottom perspective view thereof;
FIG. 3 is a rear view thereof;
FIG. 4 is a front view thereof;
FIG. 5 is a right side view thereof;
FIG. 6 is a left side view thereof;
FIG. 7 is a top plan view thereof;
FIG. 8 is a bottom plan thereof;
FIG. 9 is a front perspective view of our ornamental design of the case with an extendable handle illustrated in FIG. 1 with its handle in an extended position;
FIG. 10 is a bottom perspective view thereof;
FIG. 11 is a rear view thereof;
FIG. 12 is a front view thereof;
FIG. 13 is a right side view thereof;
FIG. 14 is a left side view thereof;
FIG. 15 is a top plan view thereof; and,
FIG. 16 is a bottom plan thereof.

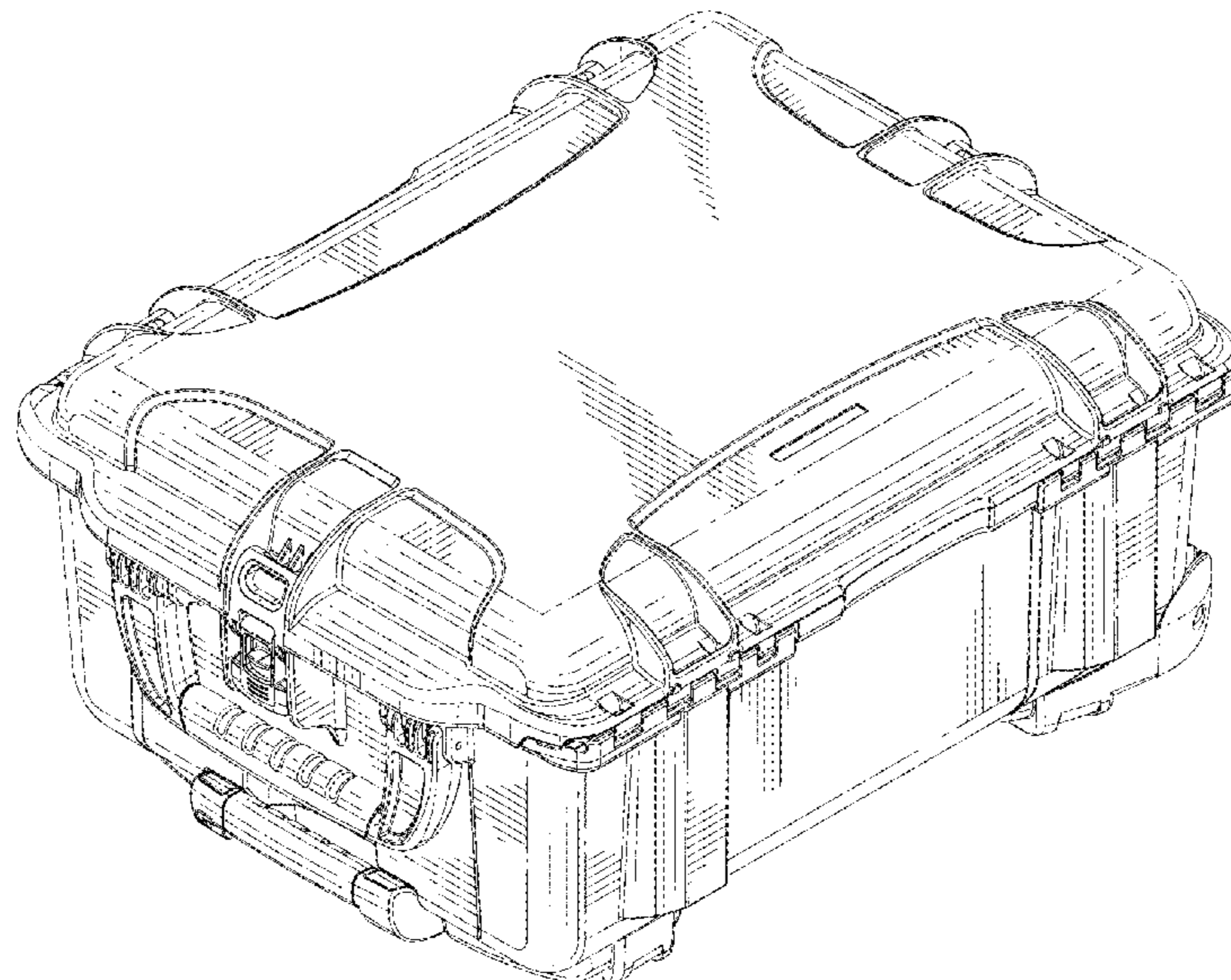
(56) **References Cited**

U.S. PATENT DOCUMENTS

2,795,946 A	6/1957	Check
3,936,082 A	2/1976	Swanson
D336,984 S	7/1993	VanKiver
D353,048 S	12/1994	VanSkiver et al.
D360,757 S	8/1995	Snetting et al.
D367,211 S	2/1996	Cautereels
5,556,145 A	9/1996	Takasaki
5,570,915 A	11/1996	Asadurian
5,578,794 A	11/1996	Lamb et al.
5,655,799 A	8/1997	Takimoto
5,924,533 A	7/1999	Cnockaert et al.
D419,768 S	2/2000	Richardson et al.
6,098,608 A	8/2000	Oshlick

(Continued)

1 Claim, 16 Drawing Sheets



(56)

References Cited

U.S. PATENT DOCUMENTS

D432,304 S 10/2000 Zurwelle et al.
 6,173,592 B1 1/2001 Yu
 D439,407 S 3/2001 Parker
 D441,954 S * 5/2001 Parker D3/273
 D458,127 S 6/2002 de Groote
 D462,519 S 9/2002 Gaydos et al.
 D464,196 S 10/2002 Parker
 D467,425 S * 12/2002 Hardigg D3/276
 D467,426 S 12/2002 Hardigg et al.
 6,513,689 B2 2/2003 Vincenzo
 D471,711 S 3/2003 Addison
 D472,384 S 4/2003 Richardson
 6,547,293 B1 4/2003 Cheng
 D482,529 S 11/2003 Hardigg et al.
 D483,178 S 12/2003 Fiore, Jr.
 D506,062 S 6/2005 Whalen et al.
 6,953,126 B2 10/2005 Parker et al.
 6,955,381 B2 10/2005 Parker et al.
 D513,451 S 1/2006 Richardson et al.
 D514,808 S 2/2006 Morine et al.
 D516,309 S 3/2006 Richardson et al.
 D516,807 S 3/2006 Richardson et al.
 D516,811 S 3/2006 Kahle et al.
 D520,237 S 5/2006 Cheng
 D523,242 S 6/2006 Hardigg et al.
 D555,902 S 11/2007 Pendergraph et al.
 7,370,891 B1 5/2008 Schmitt et al.
 D579,202 S 10/2008 Grenier et al.
 D599,112 S 9/2009 Wenchel et al.
 D606,308 S 12/2009 Cheng-Wei
 D607,207 S 1/2010 Horiyama
 7,641,048 B1 1/2010 Shih
 D638,217 S 5/2011 von Gottberg
 D643,625 S 8/2011 Moretti
 8,297,464 B2 10/2012 Grenier et al.
 8,348,057 B1 1/2013 Lee
 D677,887 S 3/2013 Yen
 D684,762 S 6/2013 Cho
 D694,521 S 12/2013 Robinson et al.
 D711,105 S 8/2014 Brunner
 D712,137 S 9/2014 Hsu

D721,231 S 1/2015 Steele
 D738,106 S 9/2015 Shitrit
 D742,640 S 11/2015 Sabbag et al.
 D744,749 S 12/2015 Negrini
 D754,435 S 4/2016 Maguire
 D781,772 S 3/2017 Sanz et al.
 D799,822 S 10/2017 Kanda et al.
 D810,433 S * 2/2018 Ballou D3/276
 D815,831 S * 4/2018 Tonelli D3/905
 D819,331 S 6/2018 Ballou et al.
 D833,743 S * 11/2018 Tonelli D3/905
 D849,402 S 5/2019 Tonelli
 D854,826 S 7/2019 Tonelli
 D873,007 S 1/2020 Tonelli
 D876,833 S 3/2020 Brunner et al.
 D887,138 S 6/2020 Feng
 D898,357 S * 10/2020 Chagnon D3/279
 D932,186 S * 10/2021 Brunner D3/294
 2002/0043534 A1 4/2002 Uke
 2003/0079949 A1 5/2003 Harvey
 2005/0001435 A1 1/2005 Parker et al.
 2005/0205372 A1 9/2005 Chen
 2006/0011624 A1 1/2006 Shih
 2006/0042897 A1 3/2006 Sanderson
 2006/0201958 A1 9/2006 Tieben et al.
 2006/0278485 A1 12/2006 Tonelli
 2008/0196216 A1 8/2008 Chi-Chai
 2008/0307835 A1 * 12/2008 Grenier E05B 65/52
 70/69
 2013/0135846 A1 5/2013 Werner et al.
 2016/0309867 A1 * 10/2016 Oberg A45C 9/00
 2020/0196725 A1 * 6/2020 Tonelli A45C 13/26
 2021/0321736 A1 * 10/2021 Tonelli A45C 5/03

OTHER PUBLICATIONS

Amazon, "Nanuk 995 XL Rifle Protective Case, 55.1x17.3x6.6in, w/ No Foam, Black", Accessed Dec. 6, 2016. First on sale on Amazon Nov. 27, 2014. <https://www.amazon.com/Nanuk-Rifle-Protective-6-6in-Black/dp/B00Q8UP6J6>.
 Nanuk, "Nanuk 965", First reviewed Jan. 4, 2020. (<https://nanuk.com/products/nanuk-965>) (Year: 2020).

* cited by examiner

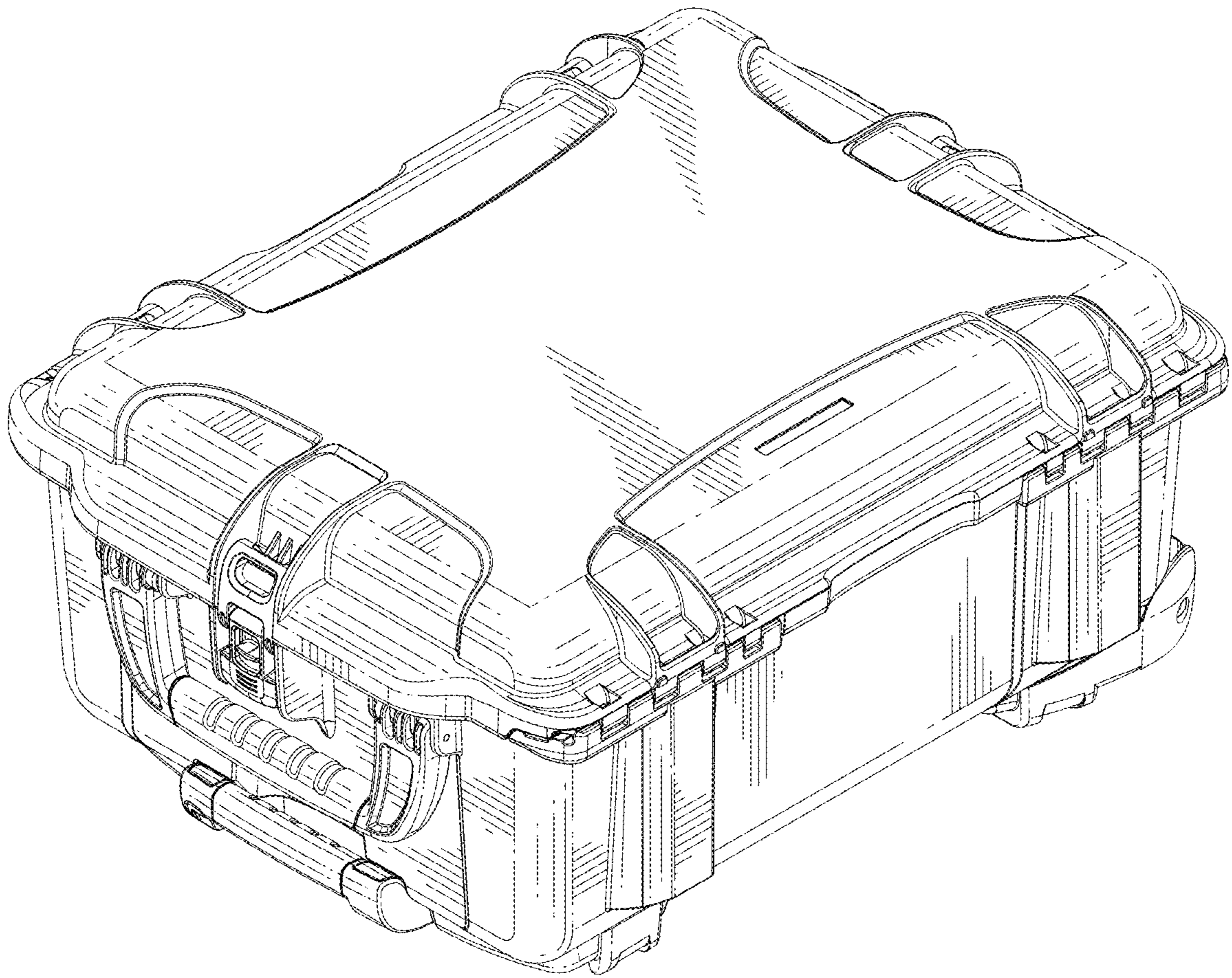


FIG. 1

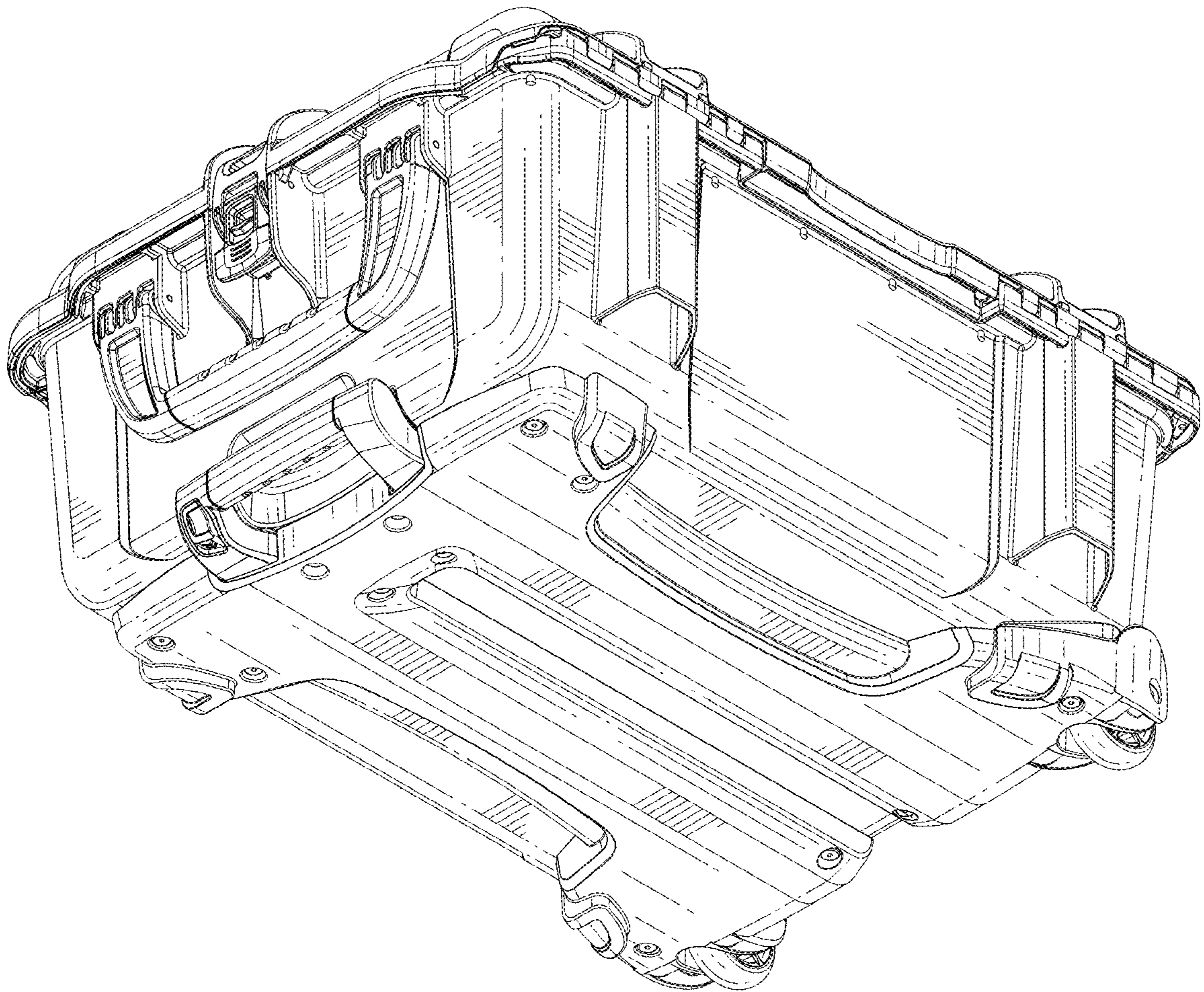


FIG. 2

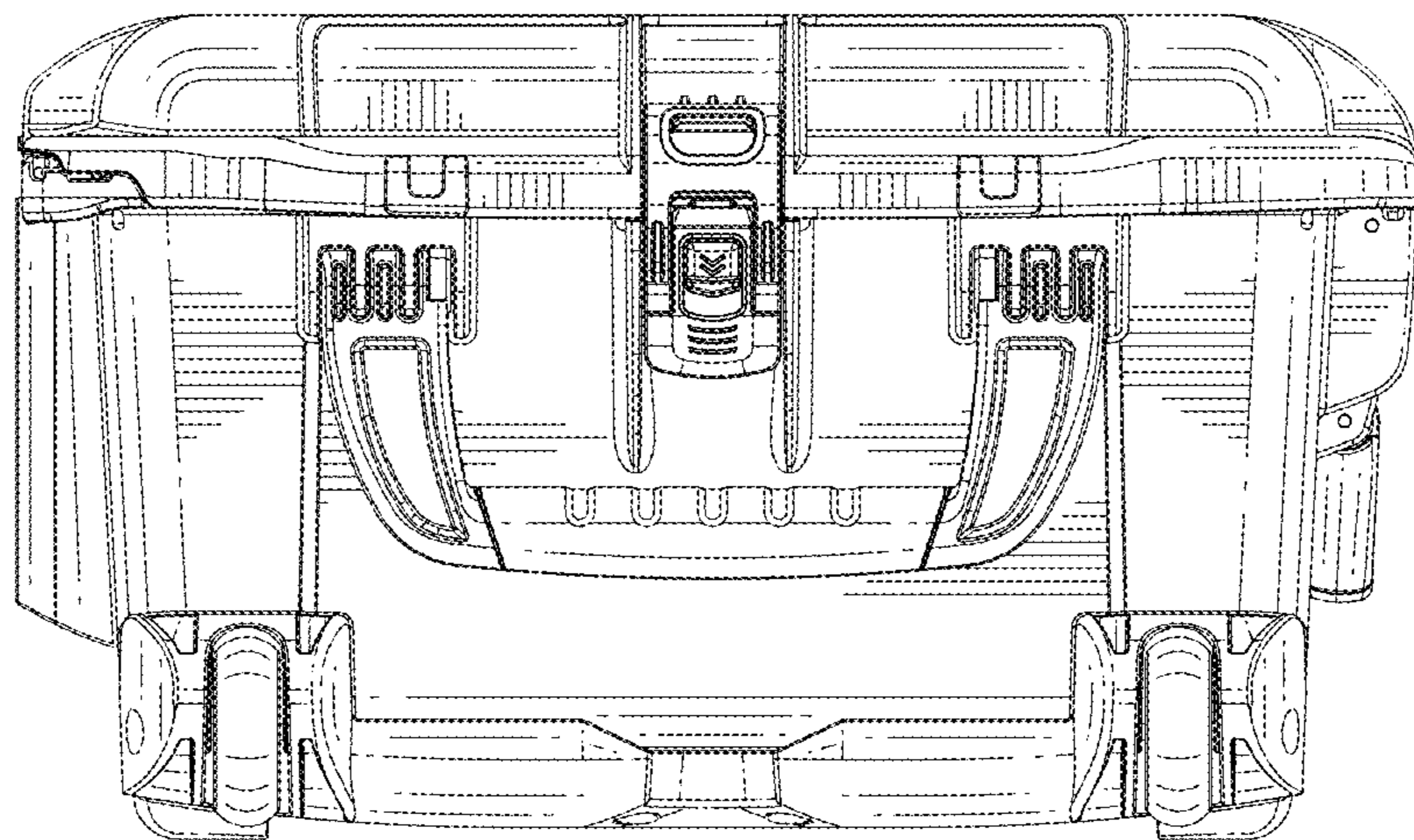


FIG. 3

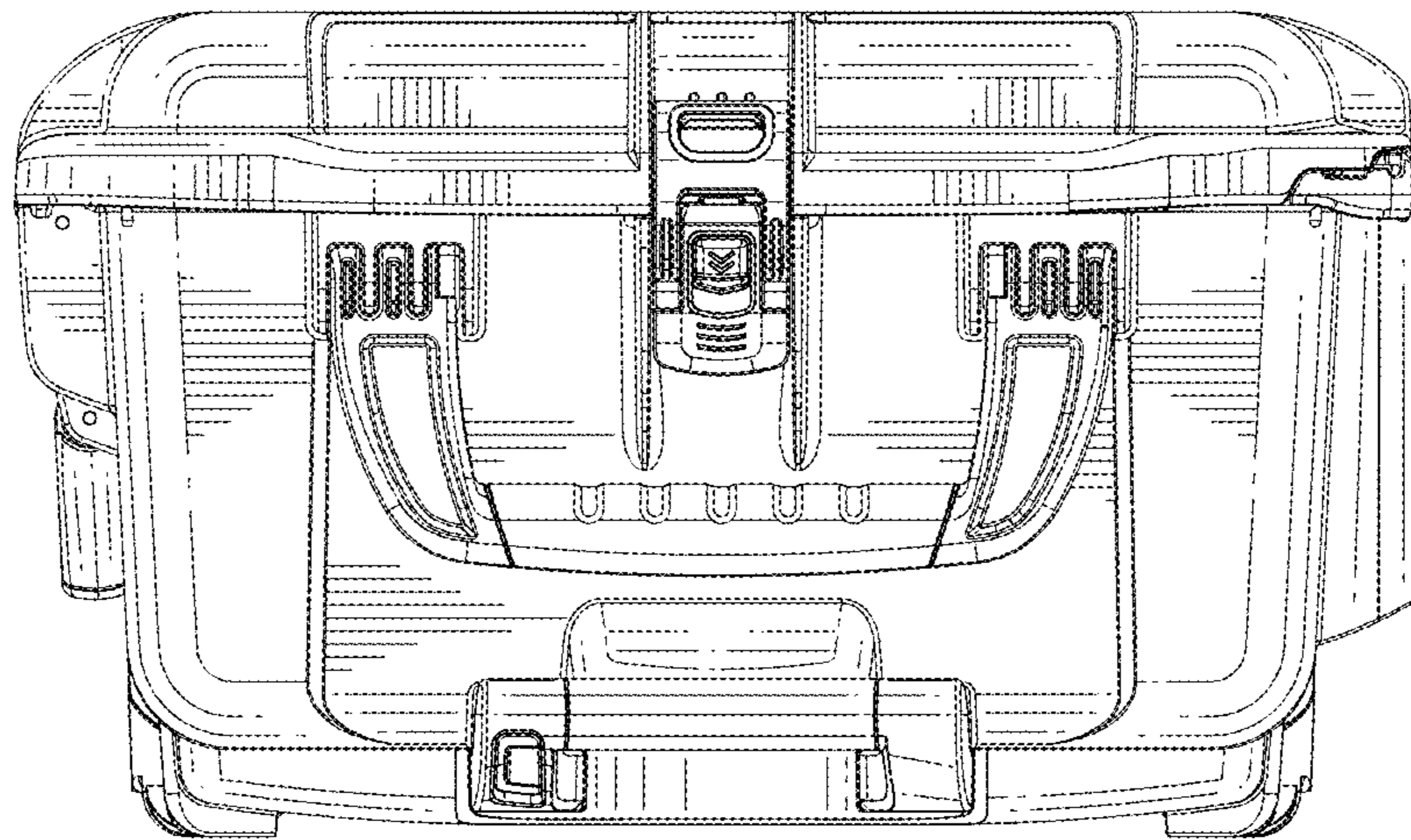


FIG.4

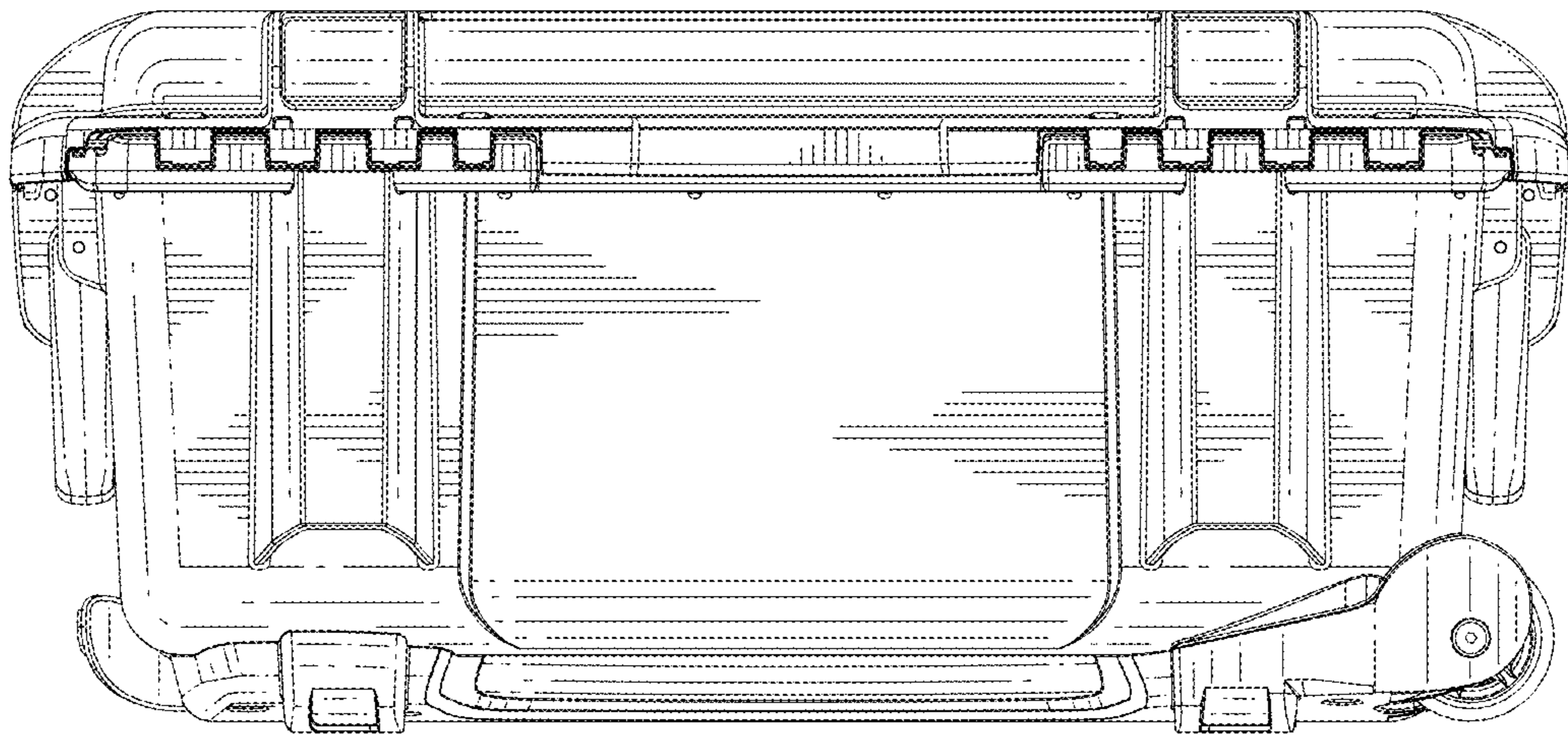


FIG. 5

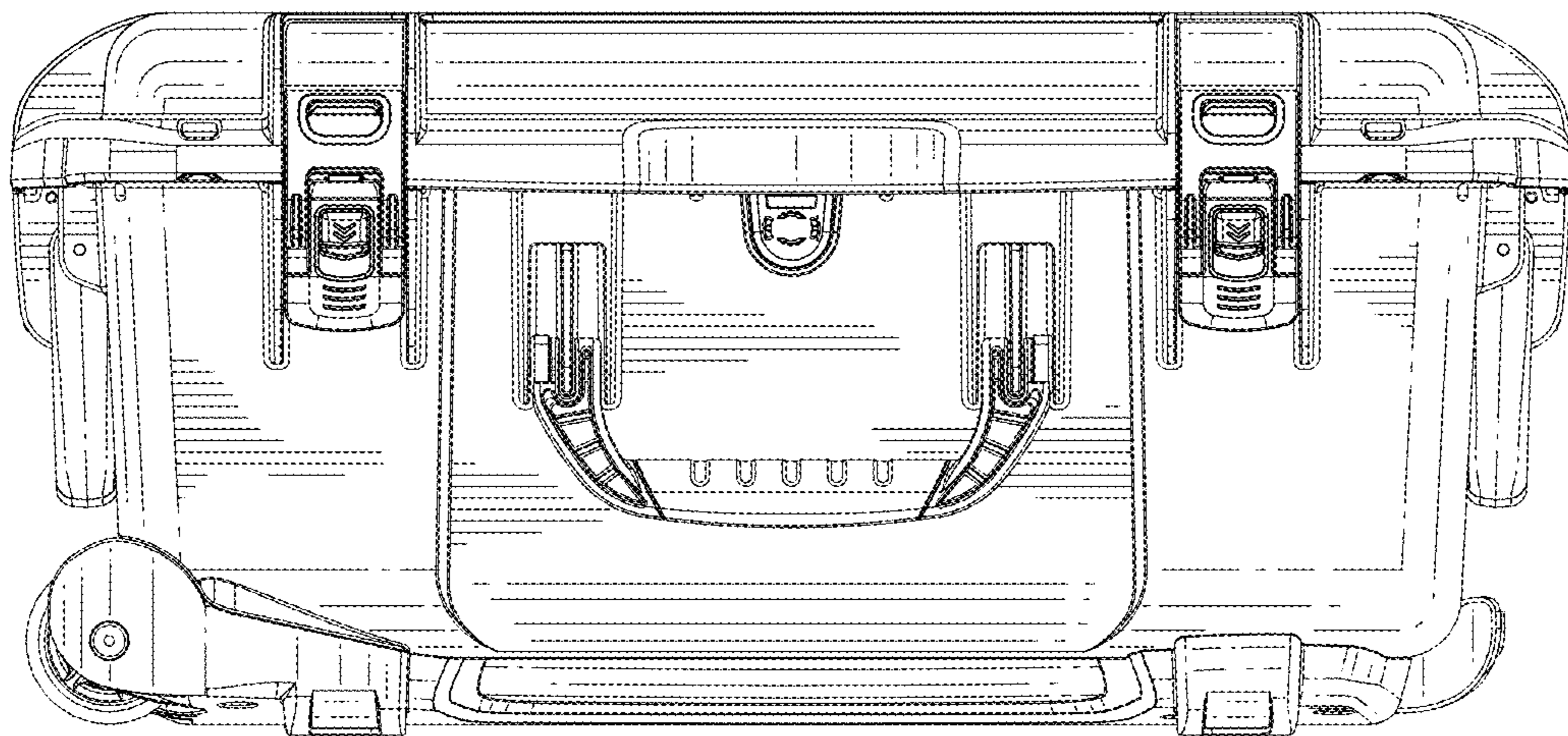


FIG.6

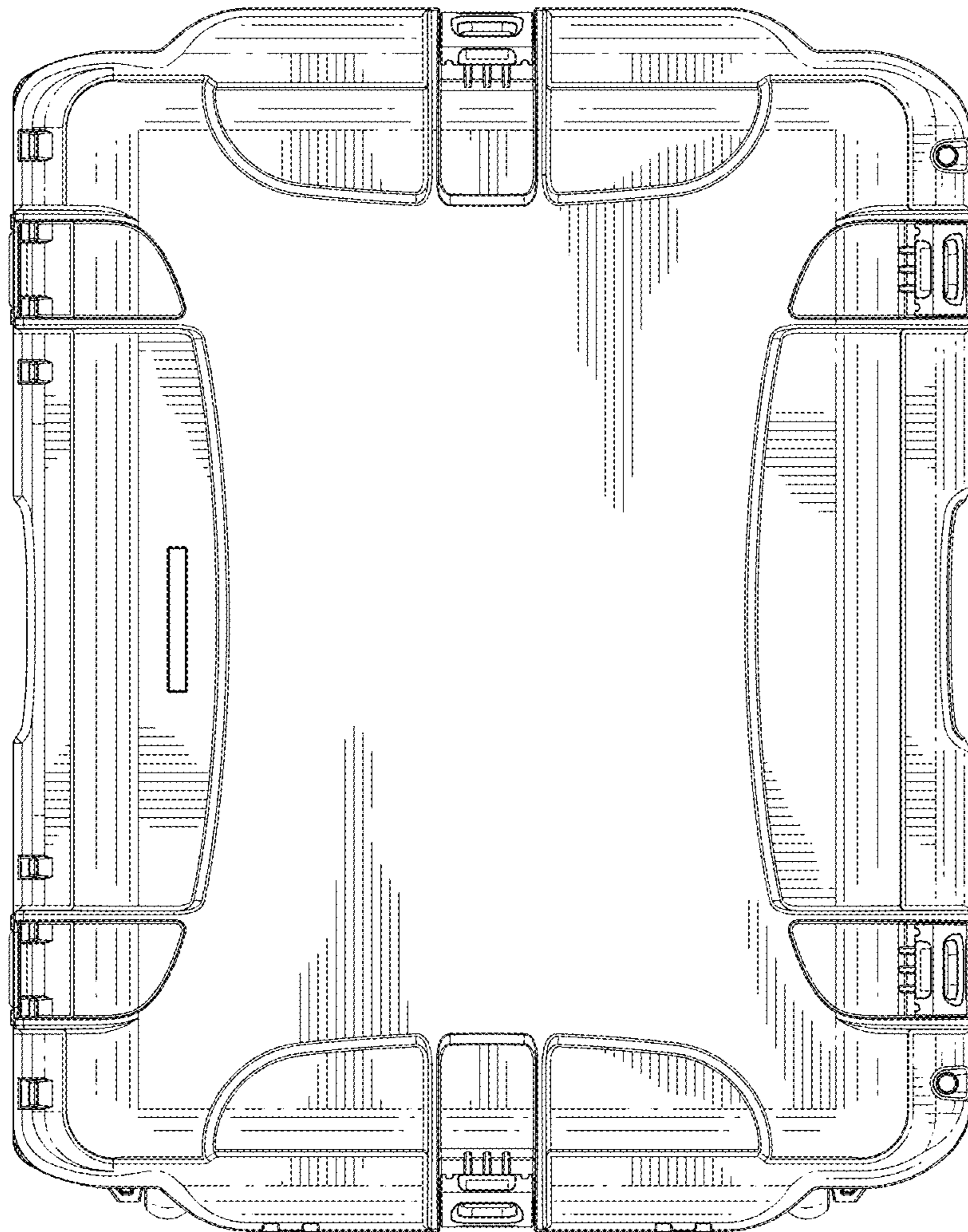


FIG. 7

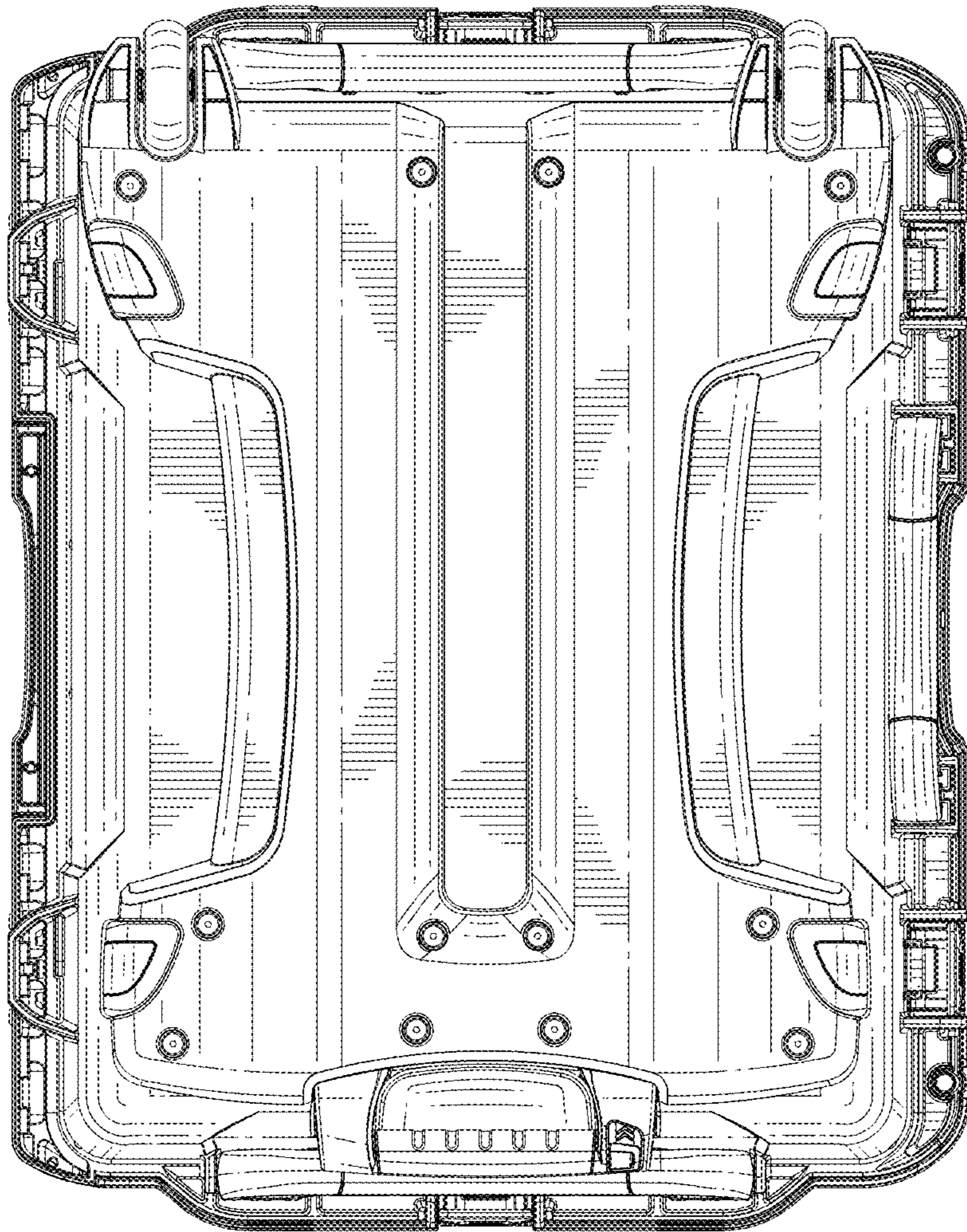


FIG. 8

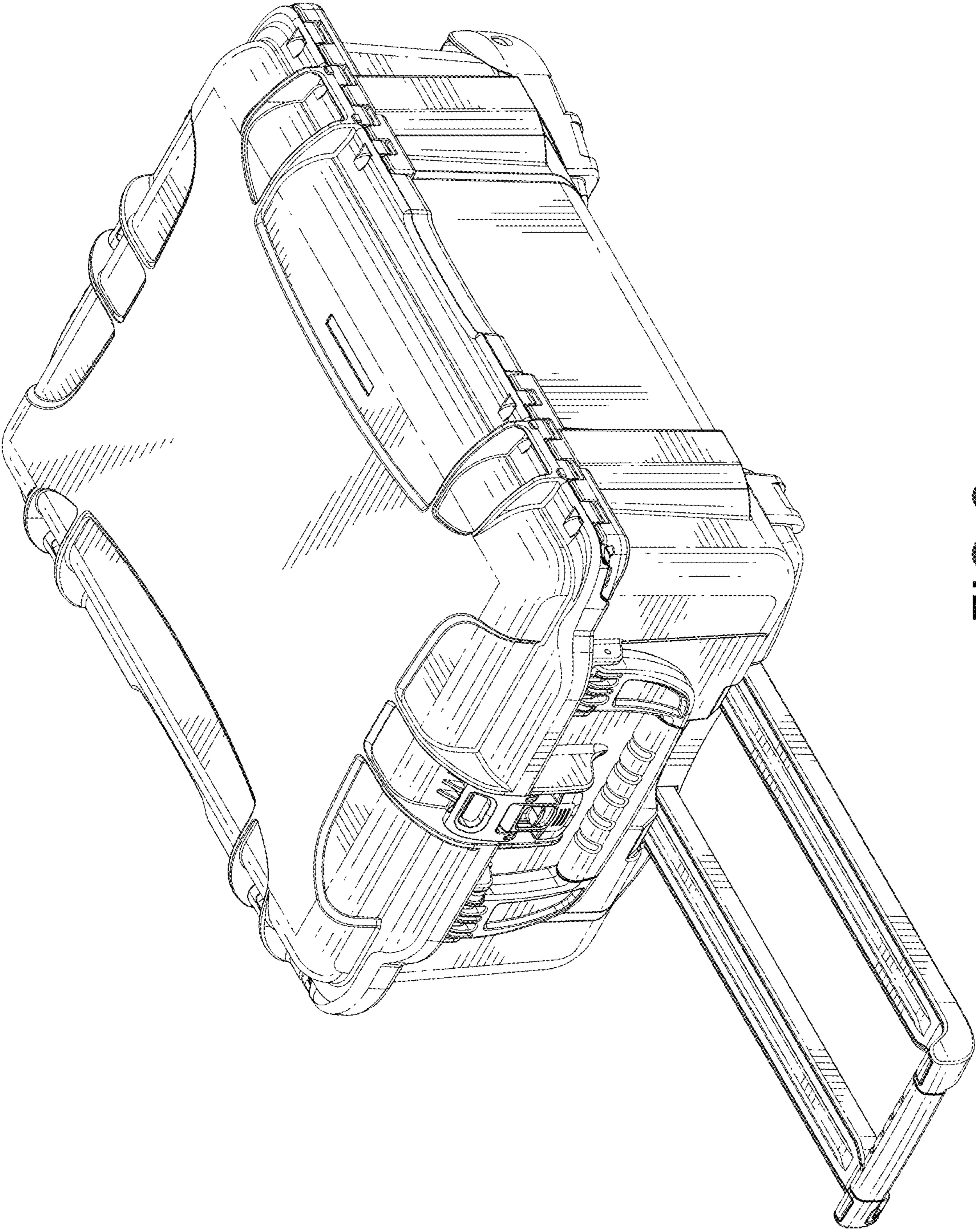


FIG. 9

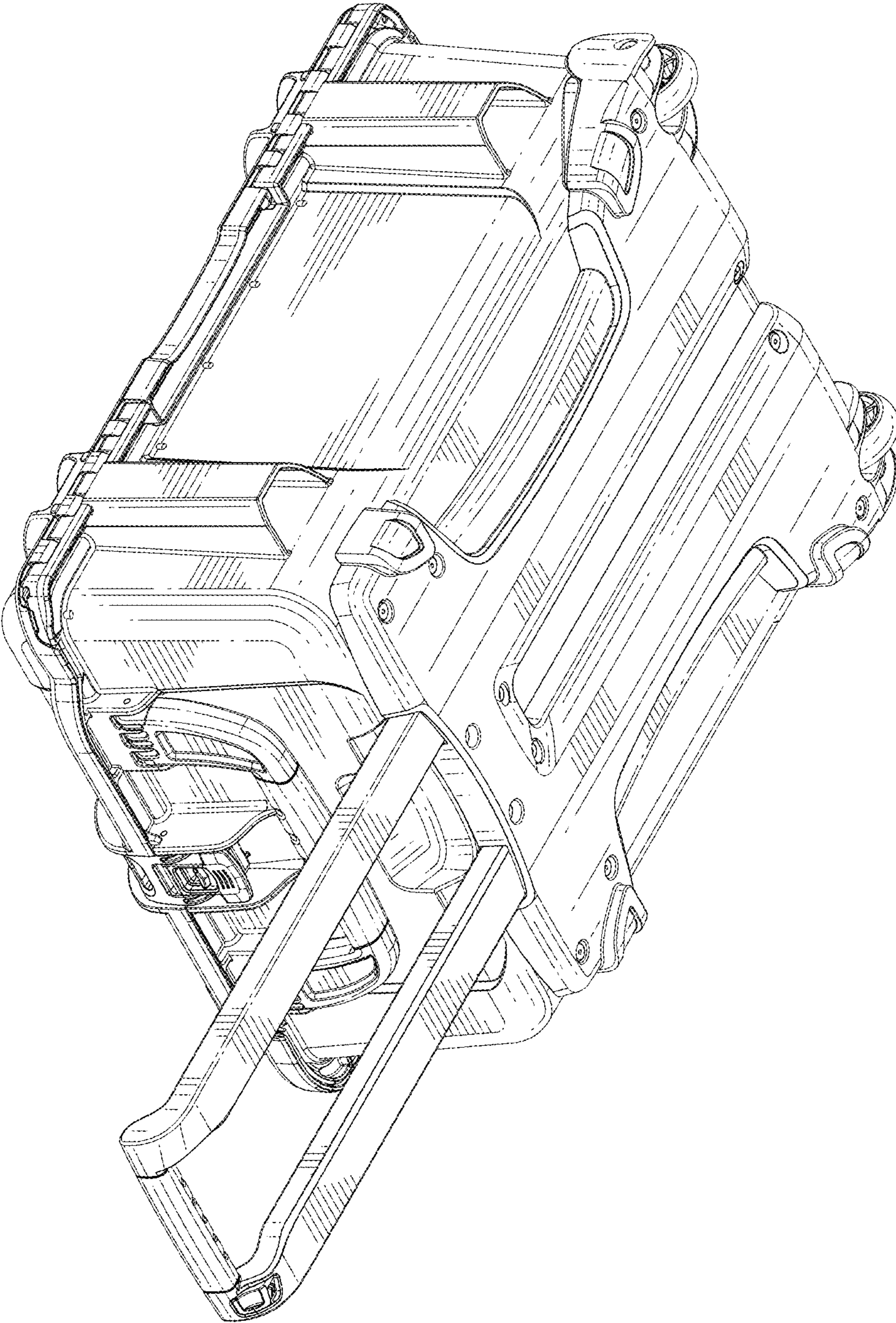


FIG. 10

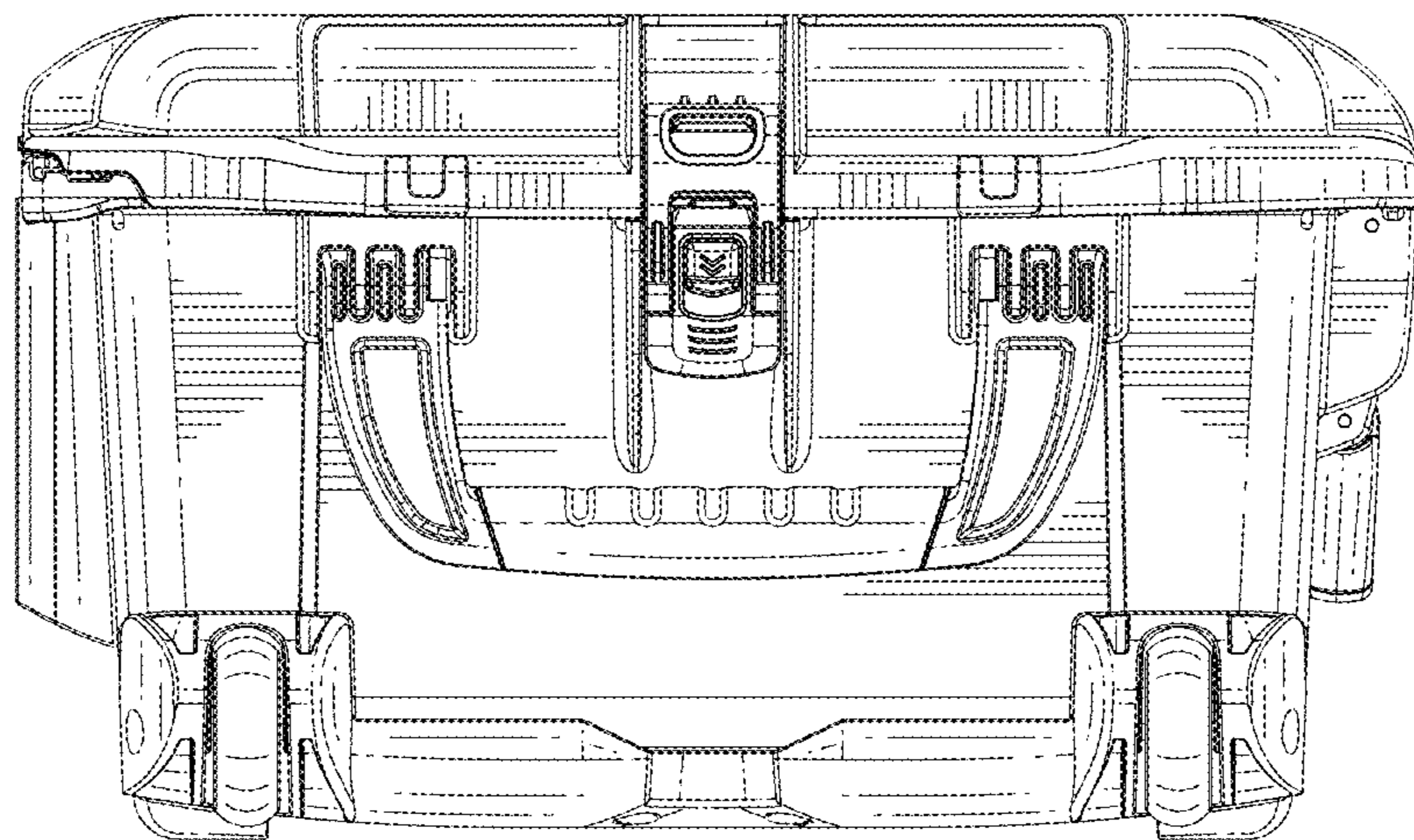


FIG. 11

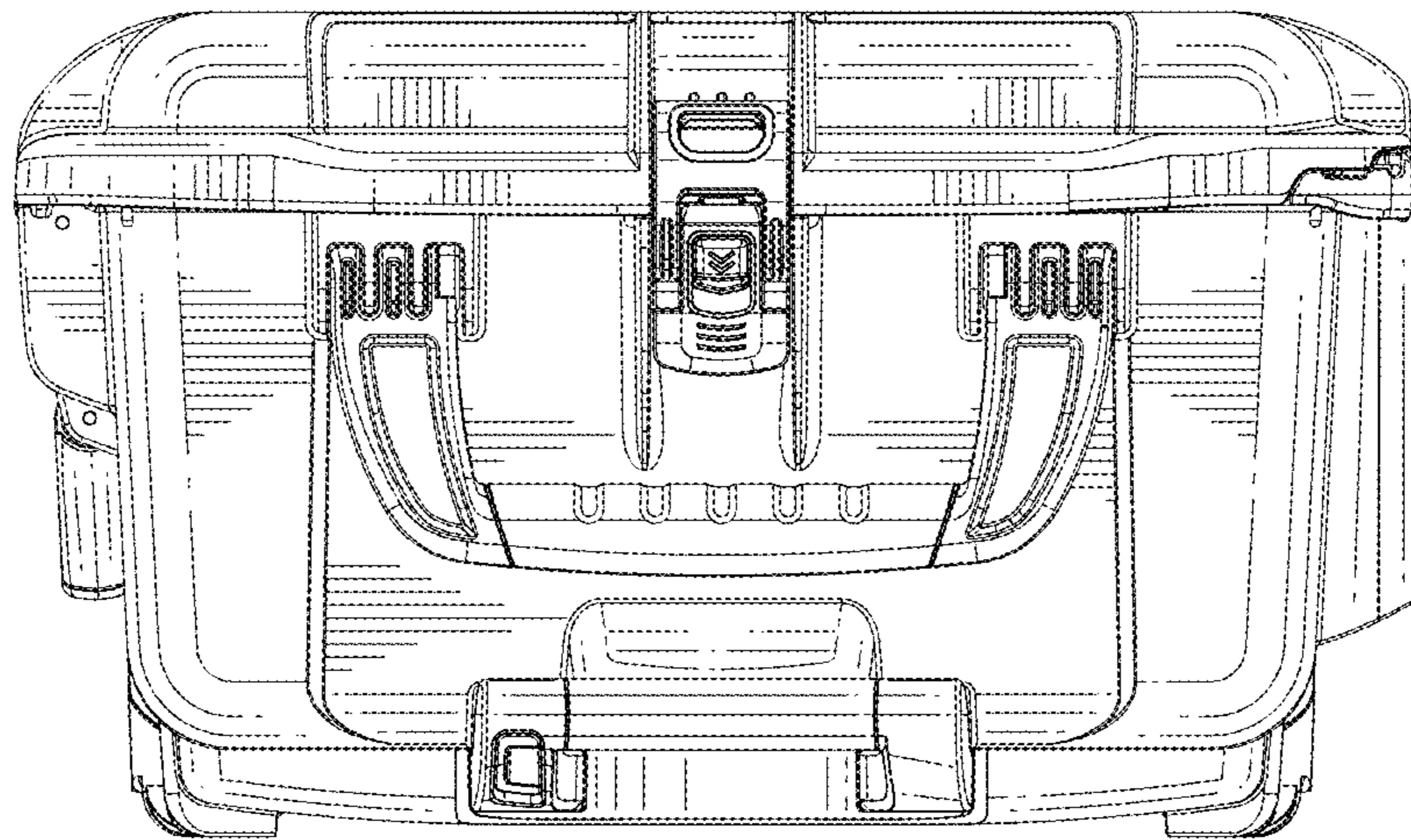


FIG.12

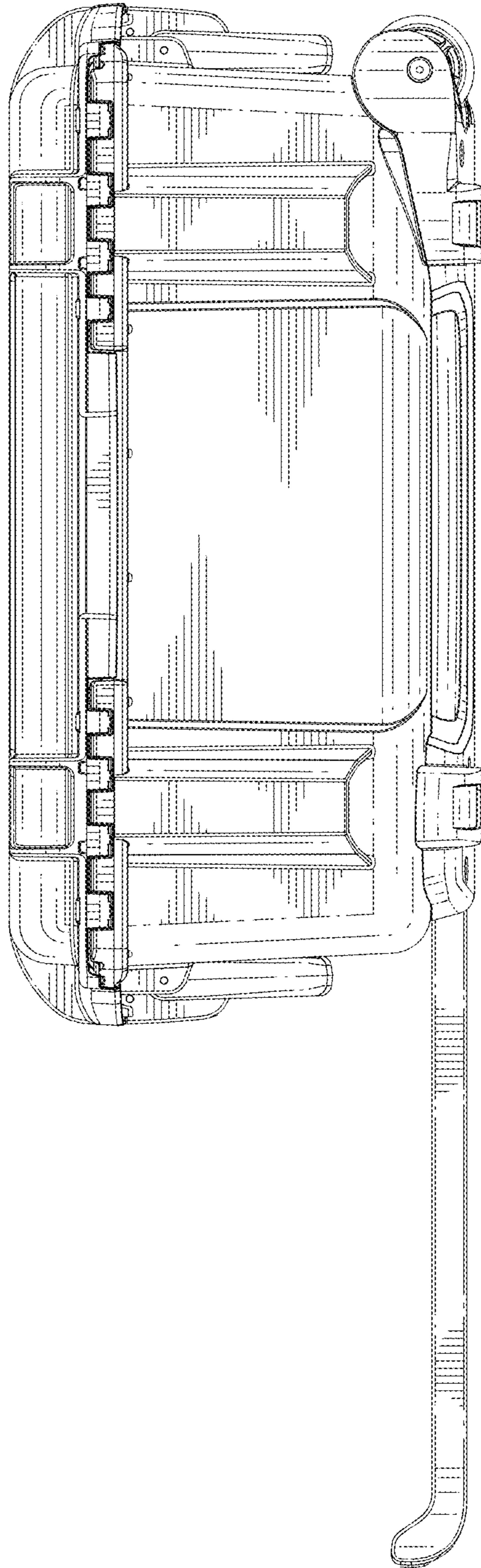


FIG. 13

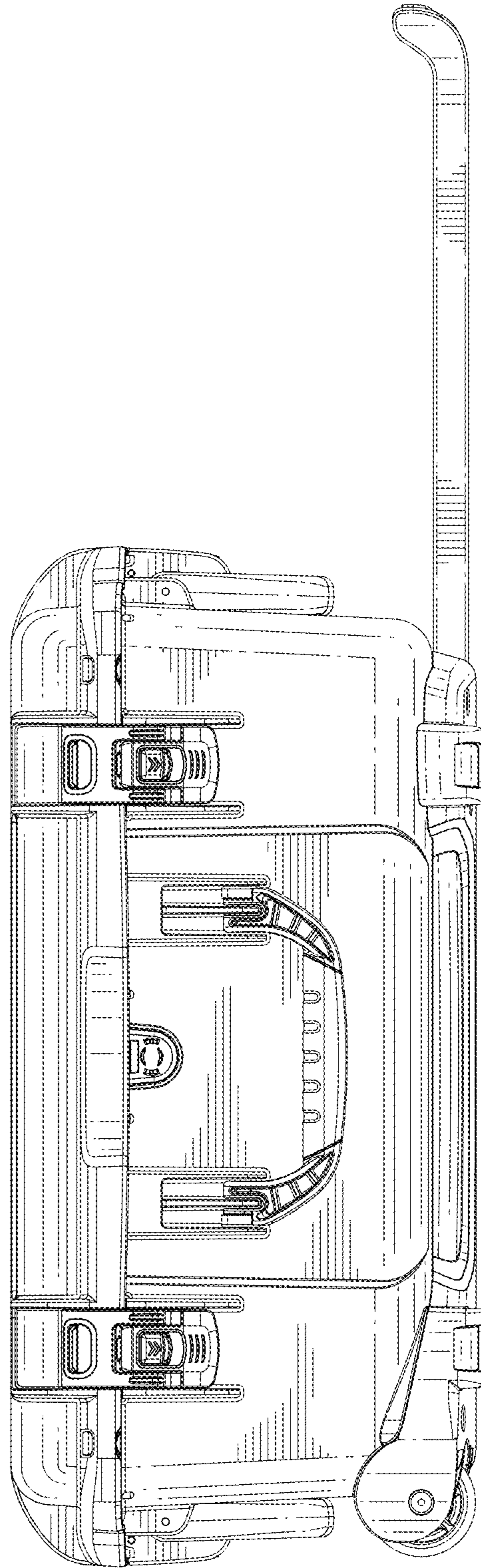


FIG. 14

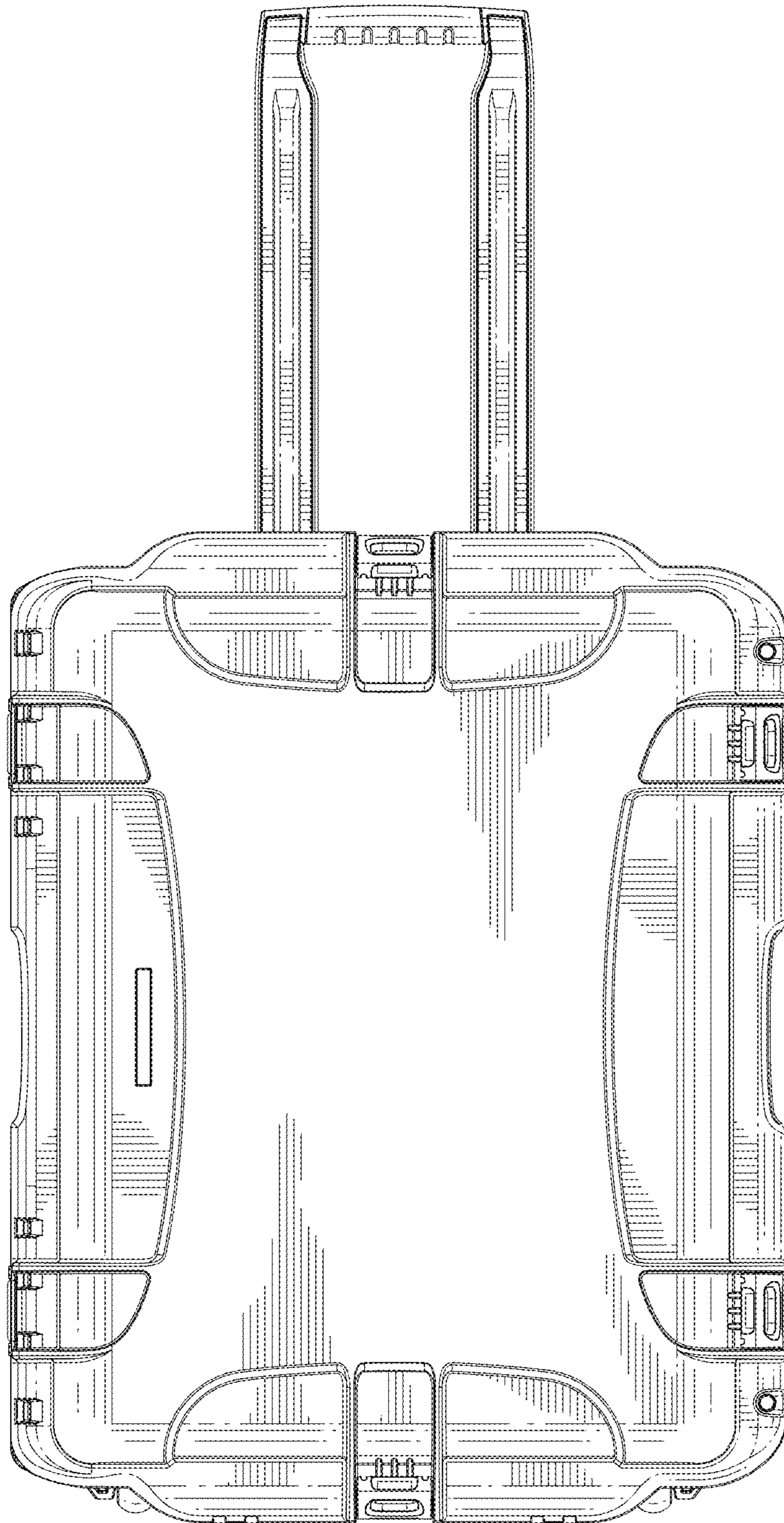


FIG. 15

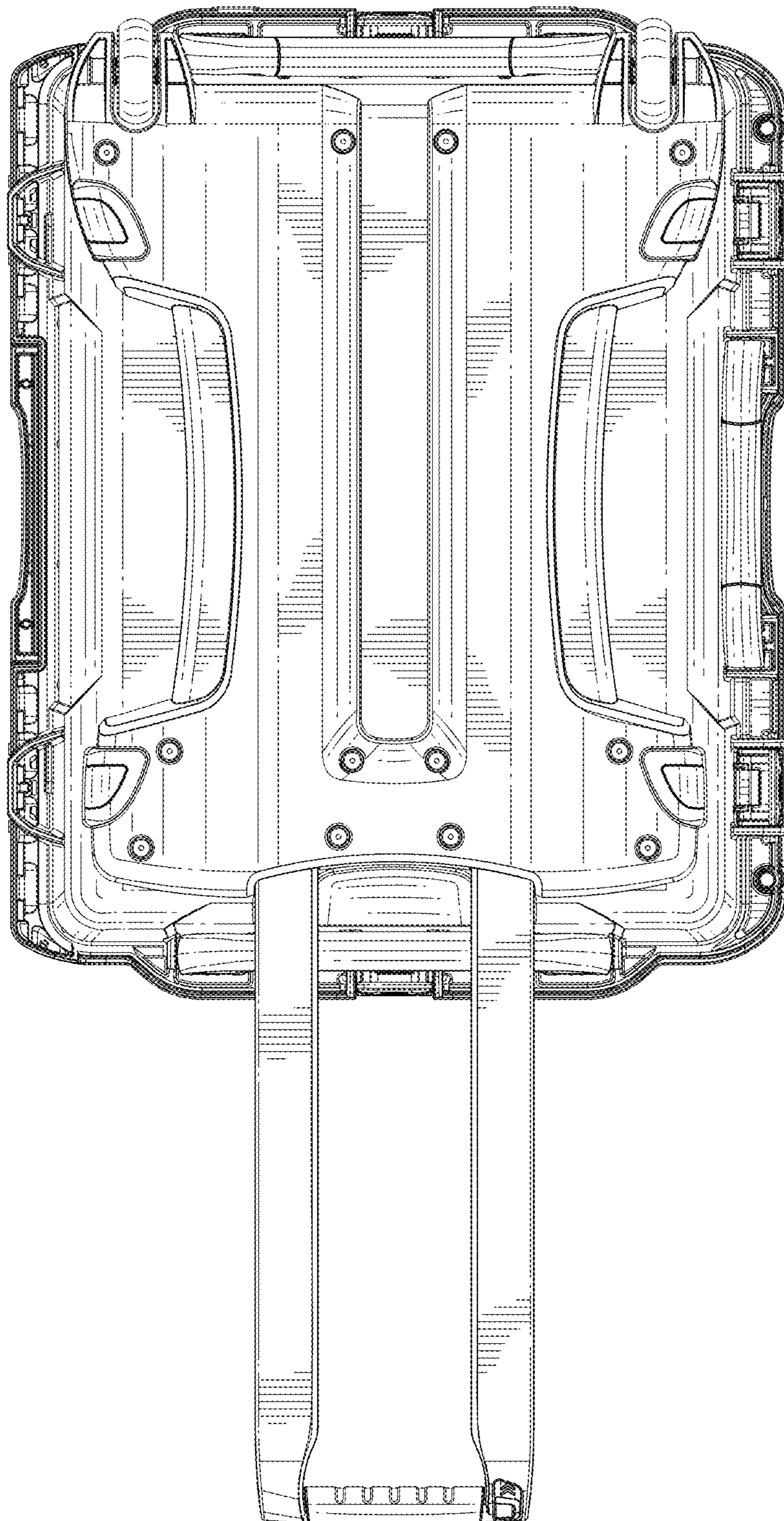


FIG. 16