

US00D963335S

(12) **United States Design Patent** (10) **Patent No.:** **US D963,335 S**  
**Martin et al.** (45) **Date of Patent:** **\*\* Sep. 13, 2022**

(54) **TOTE BAG**

D802,297 S \* 11/2017 Dumas ..... D3/232  
D808,655 S \* 1/2018 Seiders ..... D3/318  
D834,816 S \* 12/2018 Spaziani ..... D3/246

(71) Applicant: **ROTHY'S, INC.**, San Francisco, CA  
(US)

(Continued)

(72) Inventors: **William Roth Martin**, San Francisco,  
CA (US); **La Vion Gibson**, San  
Francisco, CA (US); **Manon Julien**,  
London (GB)

FOREIGN PATENT DOCUMENTS

EM 305770013 \* 12/2015  
EM 005941036-0004 \* 12/2018  
JP D1145626 \* 7/2002

(73) Assignee: **ROTHY'S, INC.**, San Francisco, CA  
(US)

OTHER PUBLICATIONS

Purlsoho.com, Site visited Jan. 27, 2020, blog from Nov. 27, 2015  
features the Railroad Tote, <https://www.purlsoho.com/create/2014/07/06/mollys-sketchbook-railroad-tote/> (Year: 2015).\*

(\*\*) Term: **15 Years**

(Continued)

(21) Appl. No.: **29/733,946**

(22) Filed: **May 7, 2020**

*Primary Examiner* — Brett Miller

(51) **LOC (13) Cl.** ..... **03-01**

*Assistant Examiner* — Jessica M Gebhart

(52) **U.S. Cl.**

(74) *Attorney, Agent, or Firm* — ArentFox Schiff LLP

USPC ..... **D3/246**; D3/232; D3/276

(58) **Field of Classification Search**

(57) **CLAIM**

USPC ..... D3/232, 242, 243, 245, 246, 276, 279,  
D3/283, 284, 287, 289, 290, 318, 323,  
D3/904, 216; D9/705

The ornamental design for a tote bag, as shown and  
described.

CPC ..... A45C 7/00; A45C 3/00; A45C 13/02

DESCRIPTION

See application file for complete search history.

FIG. 1 is a front left perspective view of an embodiment of  
a tote bag showing our design;  
FIG. 2 is front view of the design shown in FIG. 1;  
FIG. 3 is a rear view of the design shown in FIG. 1;  
FIG. 4 is a left side view of the design shown in FIG. 1;  
FIG. 5 is a right side view of the design shown in FIG. 1;  
FIG. 6 is a top view of the design shown in FIG. 1; and,  
FIG. 7 is a bottom view of the design shown in FIG. 1.

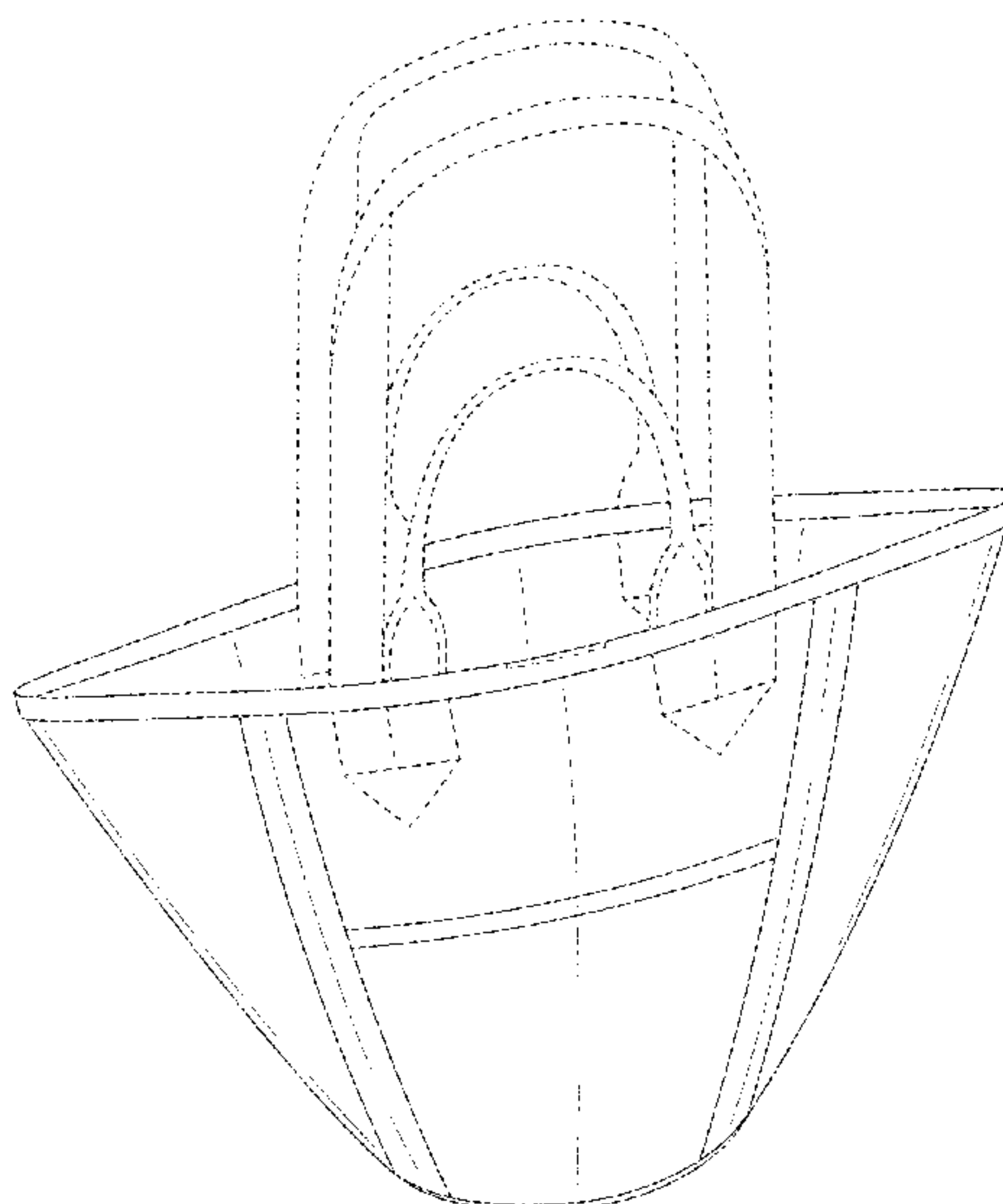
(56) **References Cited**

The figures include broken and solid. The areas within the  
solid lines form the claimed design. The broken lines shown  
in the figures are included for the purpose of illustrating  
environmental structure of the tote bag and form no part of  
the claimed design.

U.S. PATENT DOCUMENTS

D403,159 S \* 12/1998 Bellechili ..... D3/303  
D426,060 S \* 6/2000 Chapelier ..... D3/232  
D460,622 S \* 7/2002 Wong ..... D3/232  
D535,820 S \* 1/2007 Kamiya ..... D3/246  
D539,033 S \* 3/2007 Cassegrain ..... D3/246  
D562,551 S \* 2/2008 Liu ..... D3/246  
D670,907 S \* 11/2012 Guyon ..... D3/245  
D717,540 S \* 11/2014 Venturini Fendi ..... D3/232  
D759,373 S \* 6/2016 Spaziani ..... D3/232  
D764,791 S \* 8/2016 Patel ..... D3/232  
D785,325 S \* 5/2017 Samrelius ..... D3/246  
D787,823 S \* 5/2017 Nair ..... D3/246

**1 Claim, 7 Drawing Sheets**



(56)

**References Cited**

U.S. PATENT DOCUMENTS

D855,982 S \* 8/2019 McGinn ..... D3/246  
10,863,806 B2 \* 12/2020 Shaffett ..... A45C 13/30  
D920,678 S \* 6/2021 Seiders ..... D3/318  
D923,323 S \* 6/2021 Seiders ..... D3/201  
D934,031 S \* 10/2021 Li ..... D7/607  
2015/0201722 A1 \* 7/2015 Brouard ..... A45C 3/001  
150/107

OTHER PUBLICATIONS

Youtube.com, Site visited Jan. 27, 2022, "Louis Vuitton Bucket GM unboxing first impressions," published by Bag It on Oct. 21, 2018, <https://youtu.be/YESd49o5lyY> (Year: 2018).\*

yoansewingstudio.com, Site visited Jan. 27, 2022, blog published on Jan. 10, 2020 titled "Tote Bag with Pocket divider sewing tutorial using fat quarters," <https://www.yoansewingstudio.com/sewingbags/tote-bag-with-pocket-divider-sewing-tutorial-using-fat-quarters> (Year: 2020).\*

\* cited by examiner

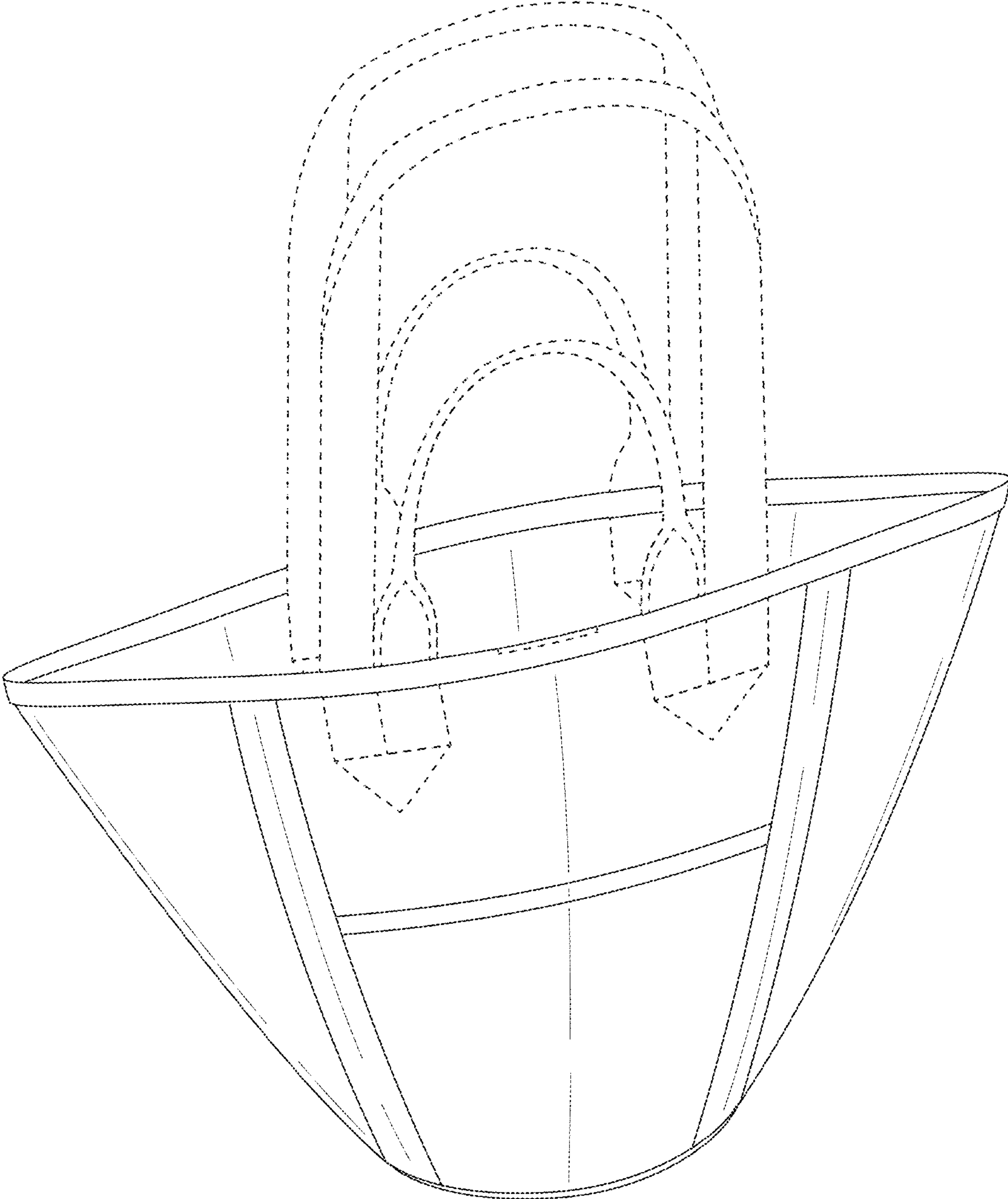


FIG. 1

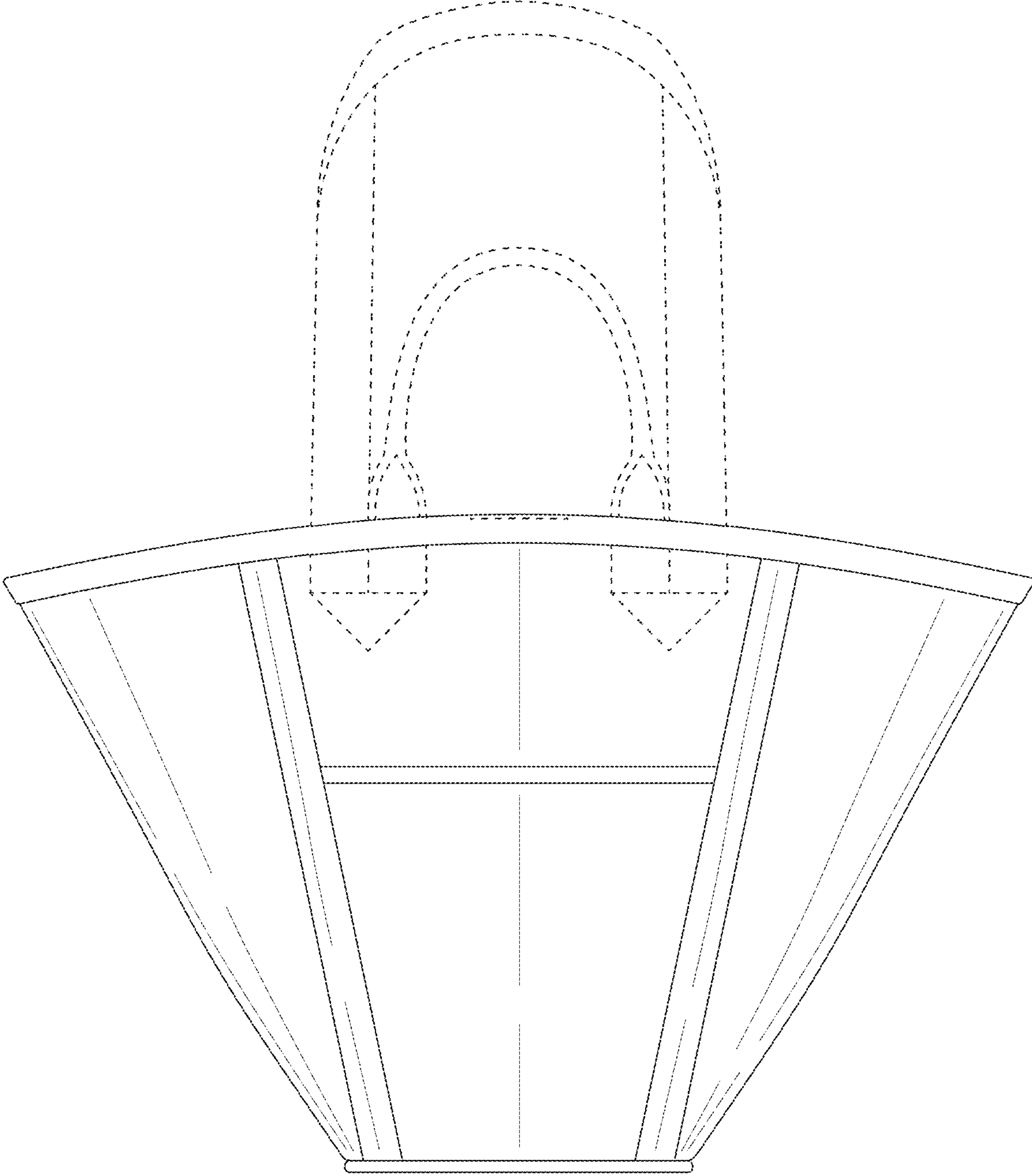


FIG. 2

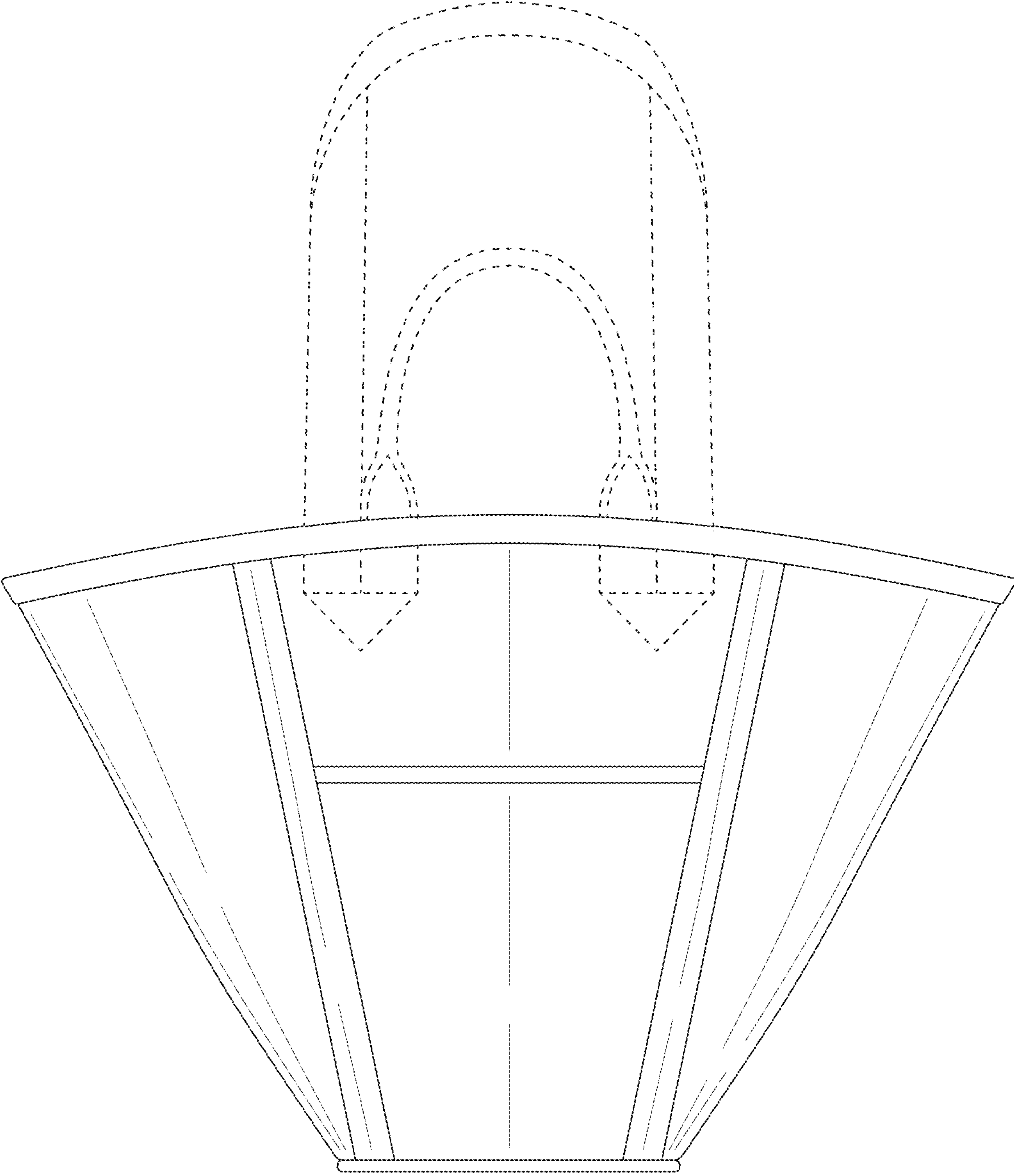


FIG. 3



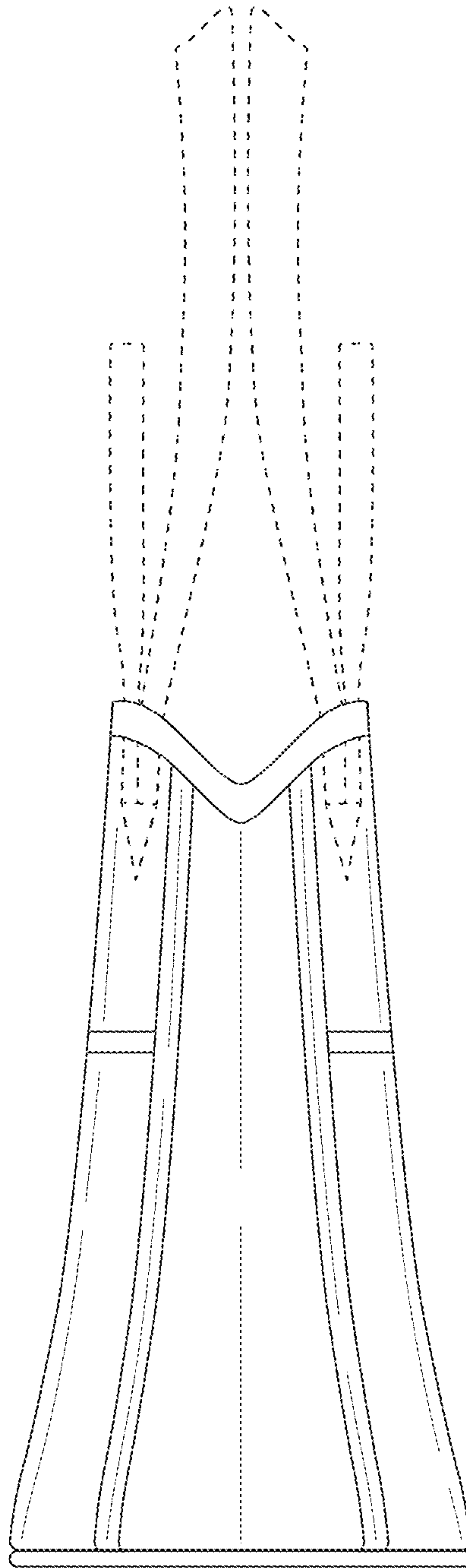


FIG. 4

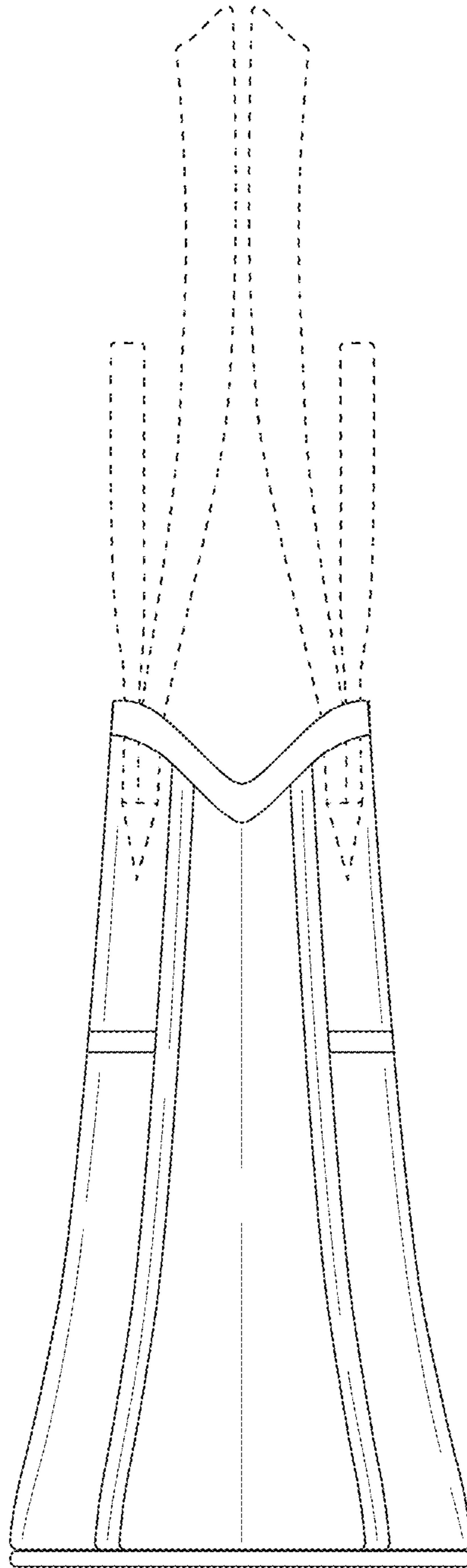


FIG. 5

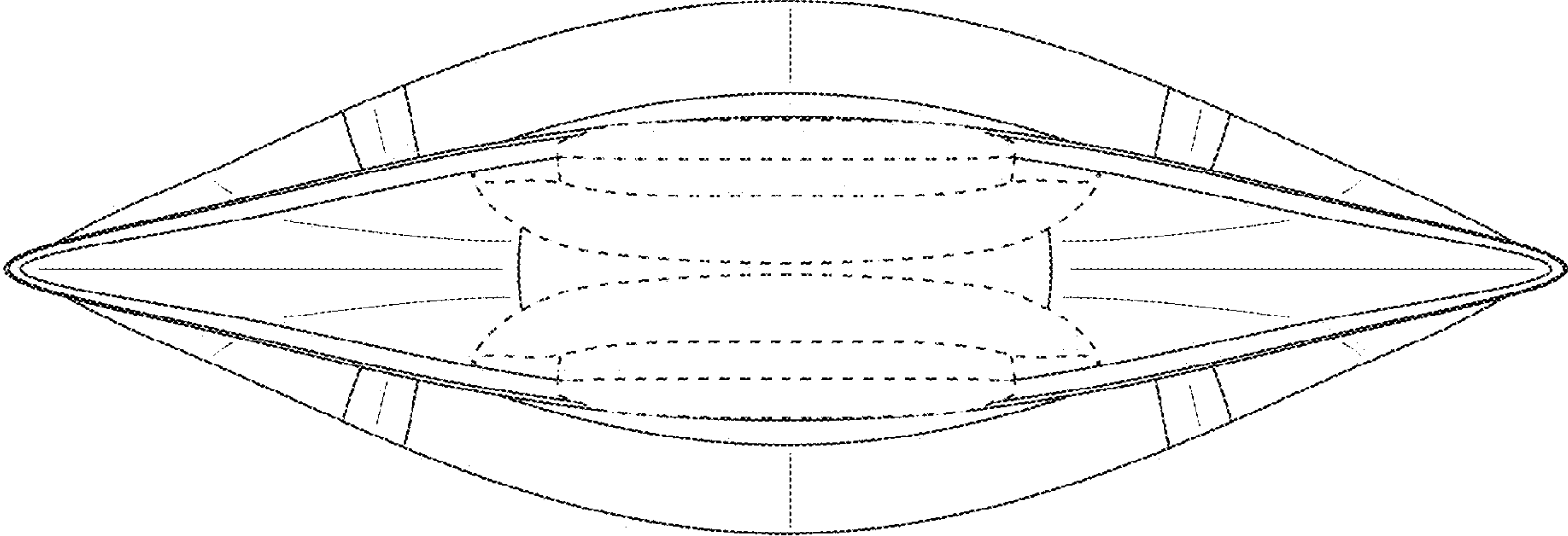


FIG. 6



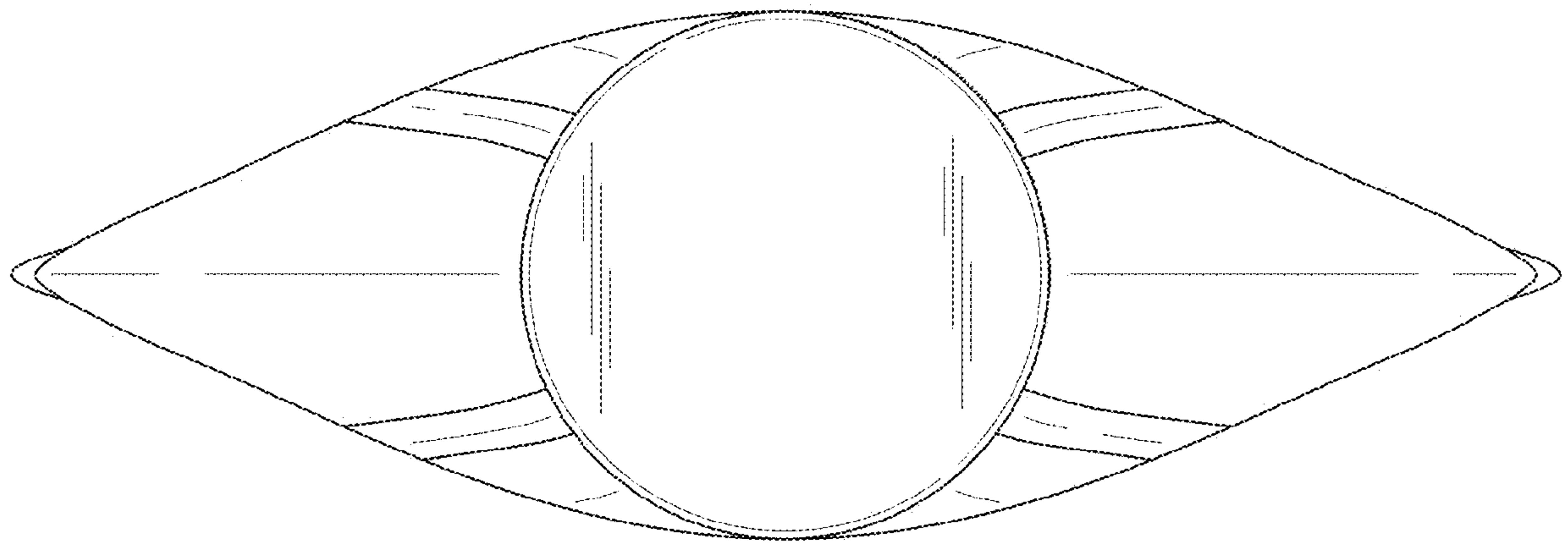


FIG. 7