



US00D963329S

(12) **United States Design Patent** (10) **Patent No.:** **US D963,329 S**
Sog (45) **Date of Patent:** **** Sep. 13, 2022**

(54) **PEN CASE**

(71) Applicant: **Jong Wan Sog**, Goyang-si (KR)

(72) Inventor: **Jong Wan Sog**, Goyang-si (KR)

(**) Term: **15 Years**

(21) Appl. No.: **35/511,271**

(22) Filed: **Sep. 17, 2019**

(80) **Hague Agreement Data**

Int. Filing Date: **Sep. 17, 2019**

Int. Reg. No.: **DM/212196**

Int. Reg. Date: **Sep. 17, 2019**

Int. Reg. Pub. Date: **Jan. 29, 2021**

(30) **Foreign Application Priority Data**

May 3, 2019 (KR) 30-2019-0021008

(51) **LOC (13) Cl.** **03-01**

(52) **U.S. Cl.**

USPC **D3/206**

CPC **A24F 9/16** (2013.01)

(58) **Field of Classification Search**

USPC ... D3/203.1-203.8, 205-206, 215, 219, 226,
D3/247, 250-252, 263-266, 273,
D3/293-294, 298-299, 301, 303, 315,
D3/901; D6/515, 517, 534, 536;
D7/600.1, 600.4, 637; D9/734, 759-760;
D19/101-103, 106, 194-195; D27/172,
D27/180, 183, 186-191; D28/73, 76,
D28/85-86, 91

CPC .. A24F 9/16; A24F 13/14; A24F 15/00; A24F
15/12; A24F 15/14; A24F 15/18; A24F
15/20; A24F 23/00; A24F 23/04; A24F
47/002; A24F 47/008; A45C 3/00; A45C
5/00; A45C 5/005; A45C 5/04; A45C
7/00; A45C 9/00; A45C 11/00; A45C
11/008; A45C 11/04; A45C 11/16; A45C
11/24; A45C 11/26; A45C 11/34; A45C
11/36; A45C 13/002; A45C 2011/007;

A45D 33/12; A45D 33/14; A45D 33/22;
A45D 33/24; A45D 33/26; A45D 33/28;
A45D 34/00; A45D 34/04; A45D 34/041;
A45D 34/06; A45D 40/00; A45D 40/18;
A45D 40/26; A45D 40/261; A45D
40/262; A45D 44/11; A45D 44/18; A47F
7/02; A47F 7/021; A61J 1/00; A61J 1/03;
A61J 7/04; A61J 7/0084; B65D 1/36;
B65D 43/16; B65D 50/04; B65D 83/04;
B65D 83/0445; B65D 83/0481; B65D
85/00; B65D 85/02; B65D 85/10

See application file for complete search history.

(56) **References Cited**

U.S. PATENT DOCUMENTS

1,879,029 A * 9/1932 Baumgard B65D 5/5206
206/45.21
D253,180 S * 10/1979 Anderka D19/85
4,210,239 A * 7/1980 Takahashi B65D 83/02
206/382
D273,721 S * 5/1984 Ronzani D9/420
4,681,234 A * 7/1987 Wisnieswski B25H 3/003
211/60.1

(Continued)

Primary Examiner — Richard E Chilcot

(74) *Attorney, Agent, or Firm* — Edell, Shapiro & Finnan,
LLC

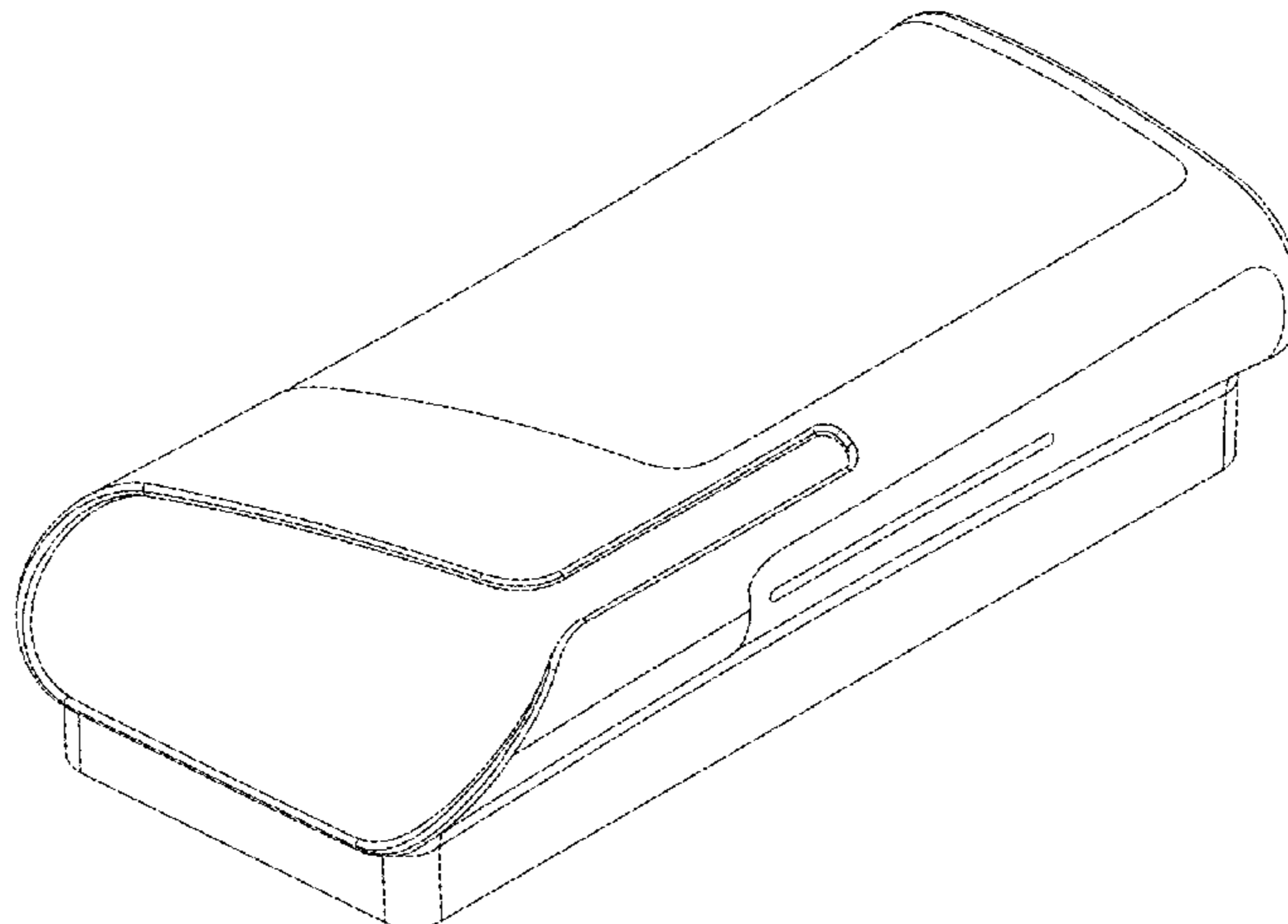
(57) **CLAIM**

The ornamental design for a pen case, as shown and
described.

DESCRIPTION

- 1. Pen case
- 1.1 : Perspective
- 1.2 : Front
- 1.3 : Back
- 1.4 : Top
- 1.5 : Bottom

(Continued)



1.6 : Left
1.7 : Right

1 Claim, 7 Drawing Sheets

(56)

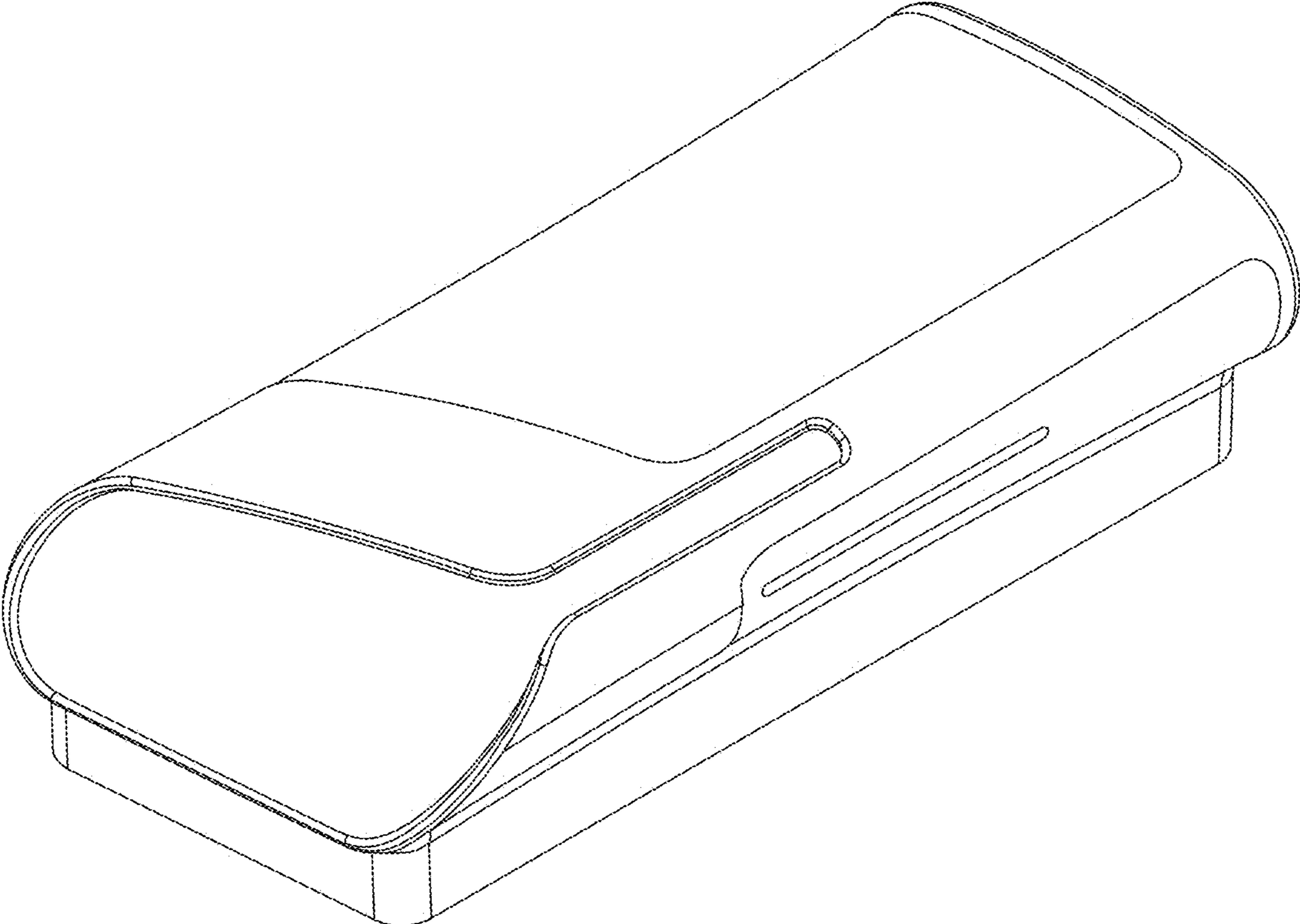
References Cited

U.S. PATENT DOCUMENTS

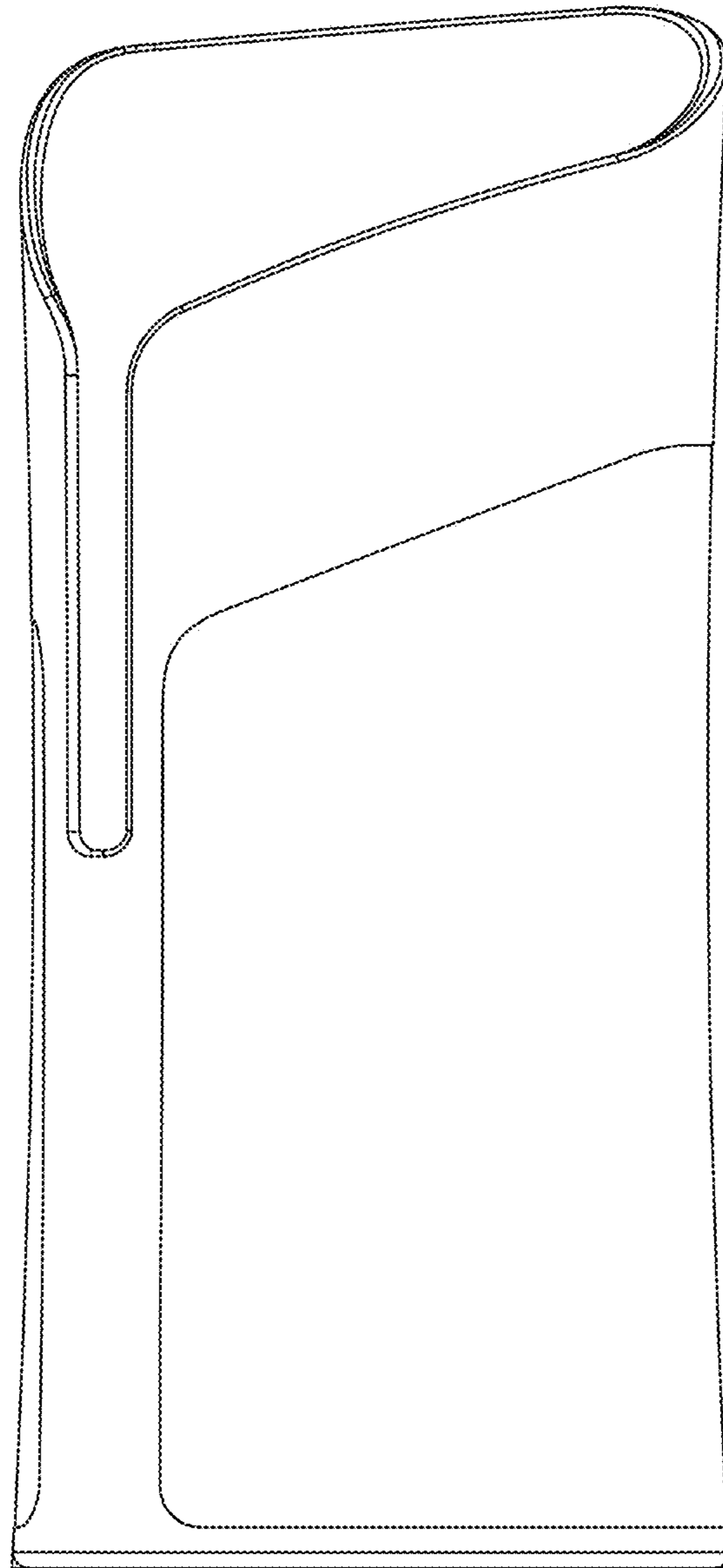
4,736,838 A * 4/1988 Nakata A45C 11/34
206/214
D315,446 S * 3/1991 Dietterich D3/206
D317,867 S * 7/1991 Platte D9/415
D324,881 S * 3/1992 Hasegawa D19/85
5,248,030 A * 9/1993 Tarozzi B25H 3/023
206/214
D394,806 S * 6/1998 Budert D9/415
5,775,499 A * 7/1998 Budert B65D 85/20
206/349
D400,435 S * 11/1998 Appelbaum D9/418
D403,150 S * 12/1998 Diener D9/415
D434,647 S * 12/2000 Appelbaum D9/415
D446,651 S * 8/2001 Liao D3/315
D448,553 S * 10/2001 Williams D3/206
6,364,100 B1 * 4/2002 Leibeck A45C 11/34
220/826
D475,853 S * 6/2003 Chen D3/905
6,681,933 B1 * 1/2004 Demsien A45C 11/34
206/214
D492,595 S * 7/2004 Chang D9/423
6,866,147 B2 * 3/2005 Barwick A61B 50/30
206/370

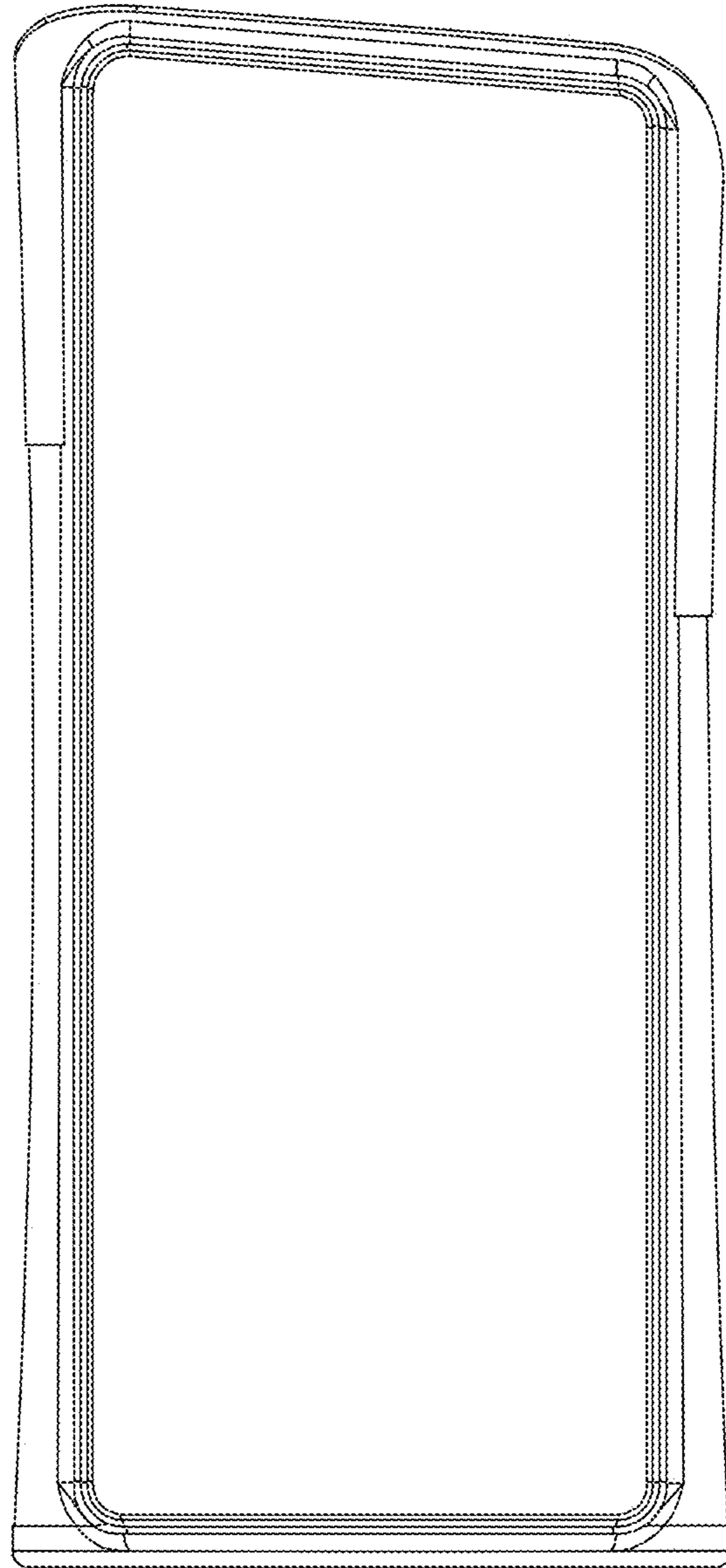
D538,032 S * 3/2007 Rosen D3/206
7,389,780 B2 * 6/2008 Byun A45D 40/18
206/379
8,196,742 B1 * 6/2012 Wang B25H 3/003
206/45.23
D686,817 S * 7/2013 Dennis D3/206
8,900,533 B2 * 12/2014 Cohen B01L 9/543
422/550
D775,814 S * 1/2017 Lopez D3/206
D802,413 S * 11/2017 Gondor D9/415
D816,324 S * 5/2018 Boisdevesys D3/206
D816,325 S * 5/2018 Wei D3/206
D848,730 S * 5/2019 Copier D3/206
D858,085 S * 9/2019 Hoshikawa D3/205
D874,816 S * 2/2020 Higuchi D3/206
D879,462 S * 3/2020 Si D3/206
D907,477 S * 1/2021 Lavoro D9/418
D918,711 S * 5/2021 Noyori D9/420
D923,324 S * 6/2021 Miyake D3/206
D929,731 S * 9/2021 Sun D3/269
D929,735 S * 9/2021 Cruice D27/189
D929,738 S * 9/2021 Cruice D27/189
D929,739 S * 9/2021 Cruice D27/189
D930,984 S * 9/2021 Cruice D27/189
D935,765 S * 11/2021 Toda D3/206
D937,578 S * 12/2021 Cruice D27/186
D937,579 S * 12/2021 Cruice D27/189
D940,075 S * 1/2022 Huang D3/273
2003/0192808 A1 * 10/2003 Clarizio B82Y 10/00
206/575
2008/0085143 A1 * 4/2008 LaBrasca B43M 99/006
401/131
2017/0245611 A1 * 8/2017 Brown, Jr. A45C 11/34
2018/0140767 A1 * 5/2018 Fontecchio A61M 5/002

* cited by examiner

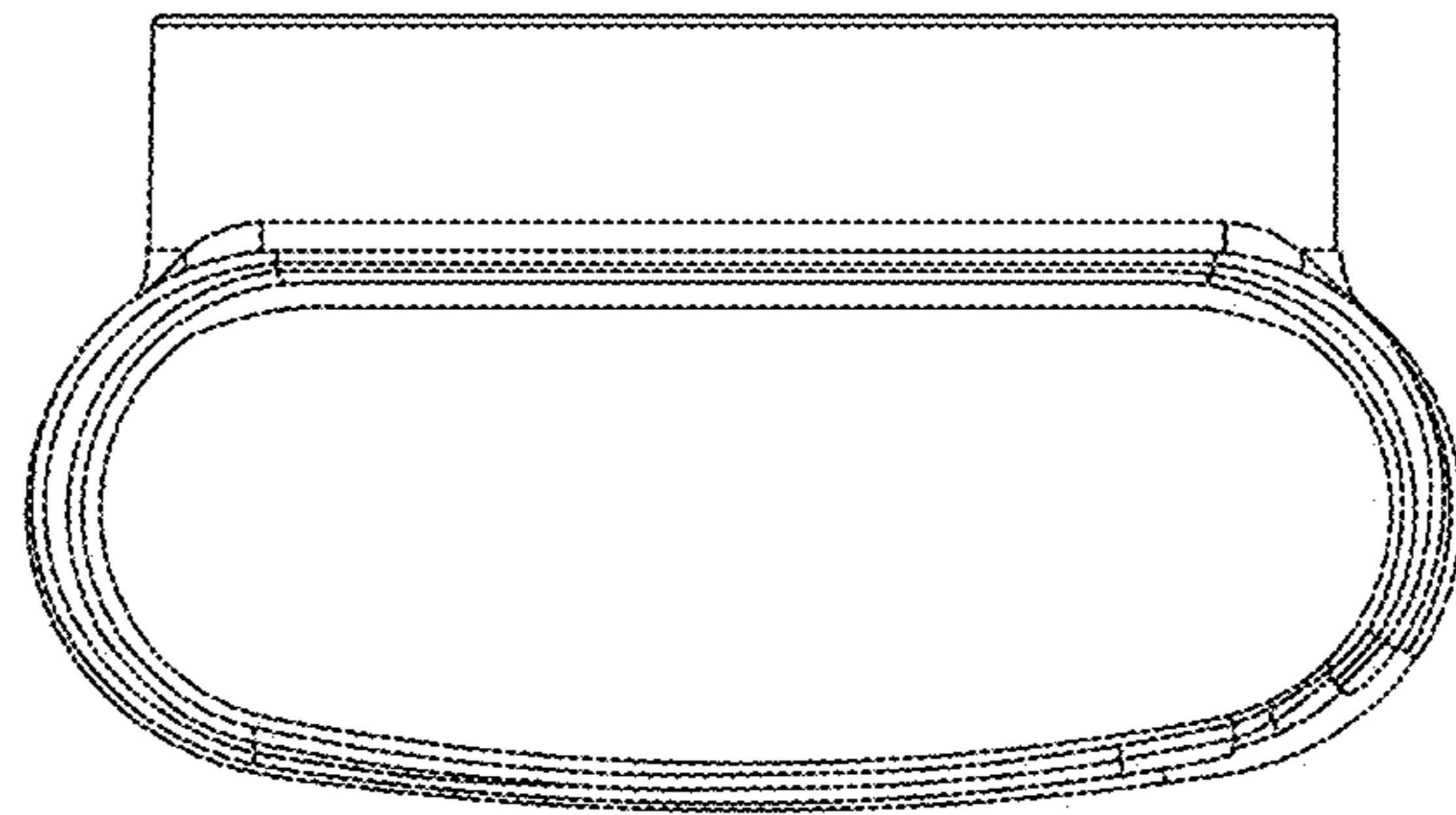


1.1

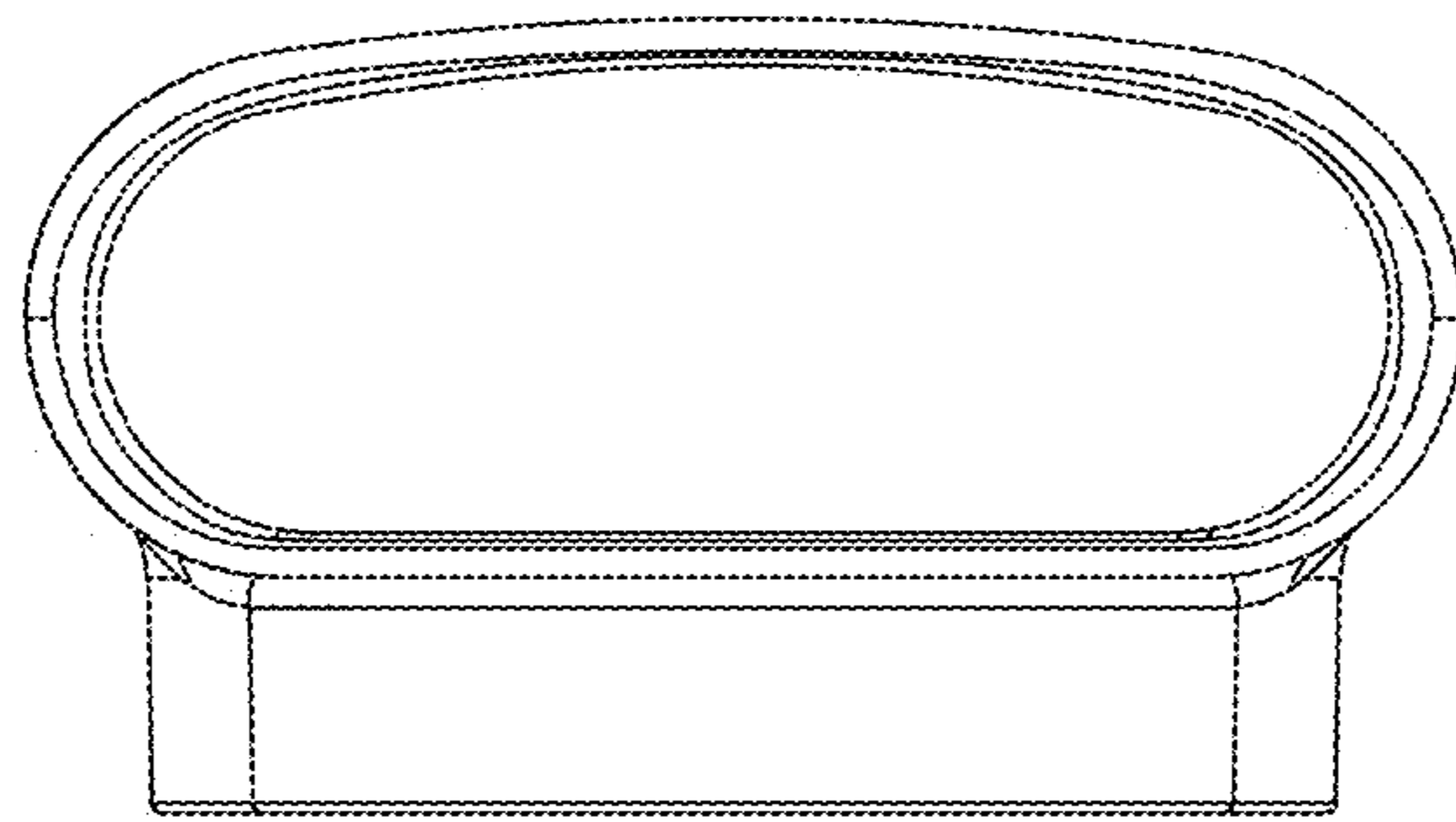




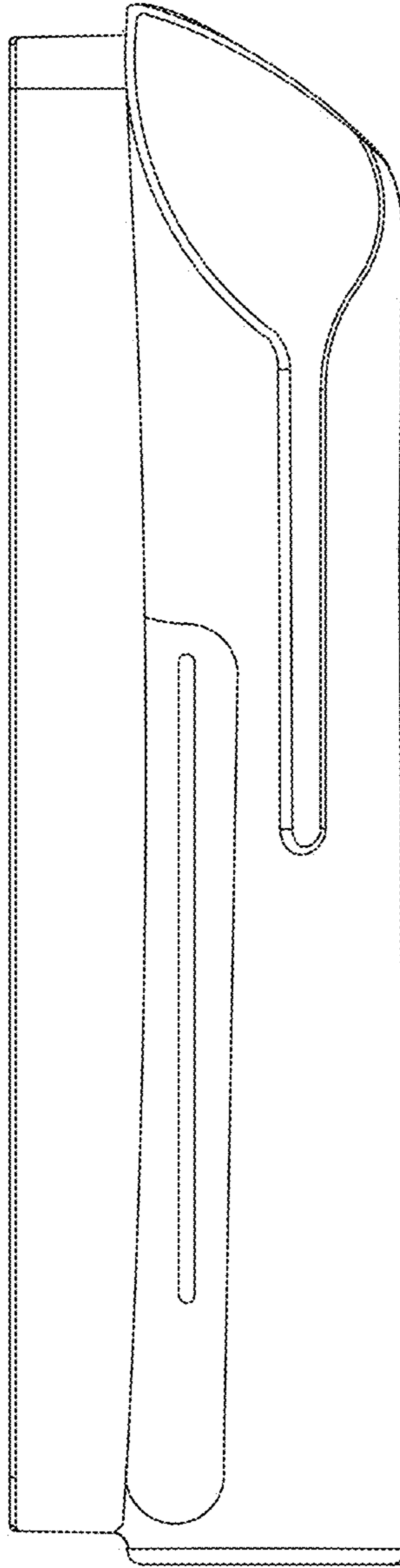
1.3



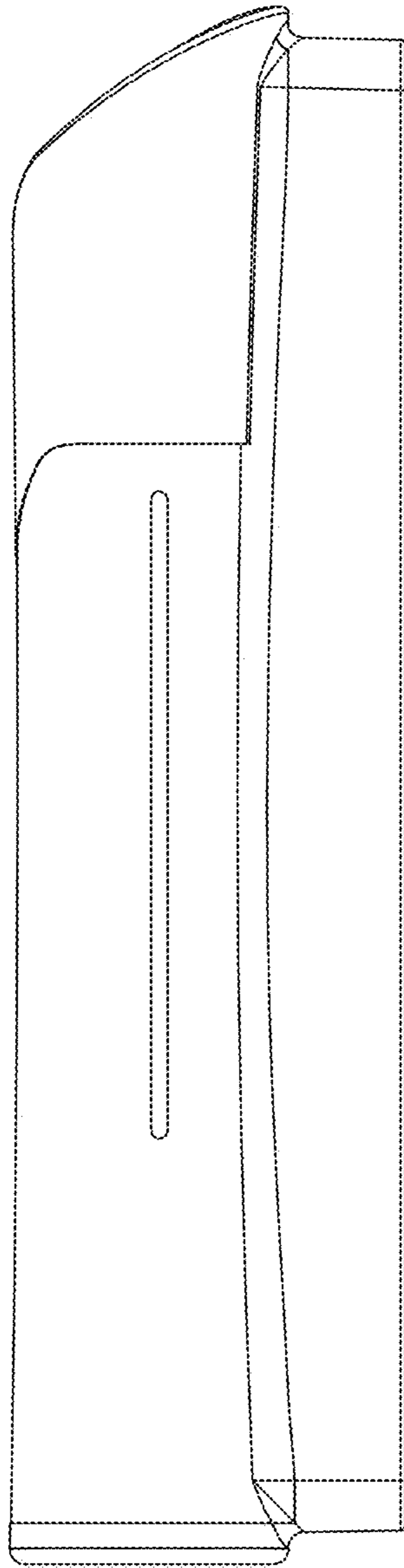
1.4



1.5



1.6



1.7