



US00D963328S

(12) **United States Design Patent**
Bartelme et al.

(10) **Patent No.:** **US D963,328 S**

(45) **Date of Patent:** **** Sep. 13, 2022**

(54) **PORTABLE ART CASE**

(71) Applicants: **Michael James Bartelme**, Fort Collins, CO (US); **Neil Robert Crawford**, Chandler, AZ (US); **Dalaine Lin Bartelme**, Fort Collins, CO (US)

(72) Inventors: **Michael James Bartelme**, Fort Collins, CO (US); **Neil Robert Crawford**, Chandler, AZ (US); **Dalaine Lin Bartelme**, Fort Collins, CO (US)

(73) Assignee: **ColorPockit LLC**, Fort Collins, CO (US)

(**) Term: **15 Years**

(21) Appl. No.: **29/750,321**

(22) Filed: **Sep. 13, 2020**

(51) **LOC (13) Cl.** **03-03**

(52) **U.S. Cl.**
USPC **D3/206**

(58) **Field of Classification Search**
USPC D3/205, 206, 315
CPC A47K 17/00; A45C 11/34; A45C 11/36
See application file for complete search history.

(56) **References Cited**

U.S. PATENT DOCUMENTS

D444,596 S * 7/2001 Lai D28/82
D579,204 S * 10/2008 Chen D3/315

D685,178 S * 7/2013 Lv D3/273
D686,817 S * 7/2013 Dennis D3/206
D785,943 S * 5/2017 Dutil D3/315
D810,422 S * 2/2018 Glass D3/206
D935,765 S * 11/2021 Toda D3/206

* cited by examiner

Primary Examiner — Charles D Hanson

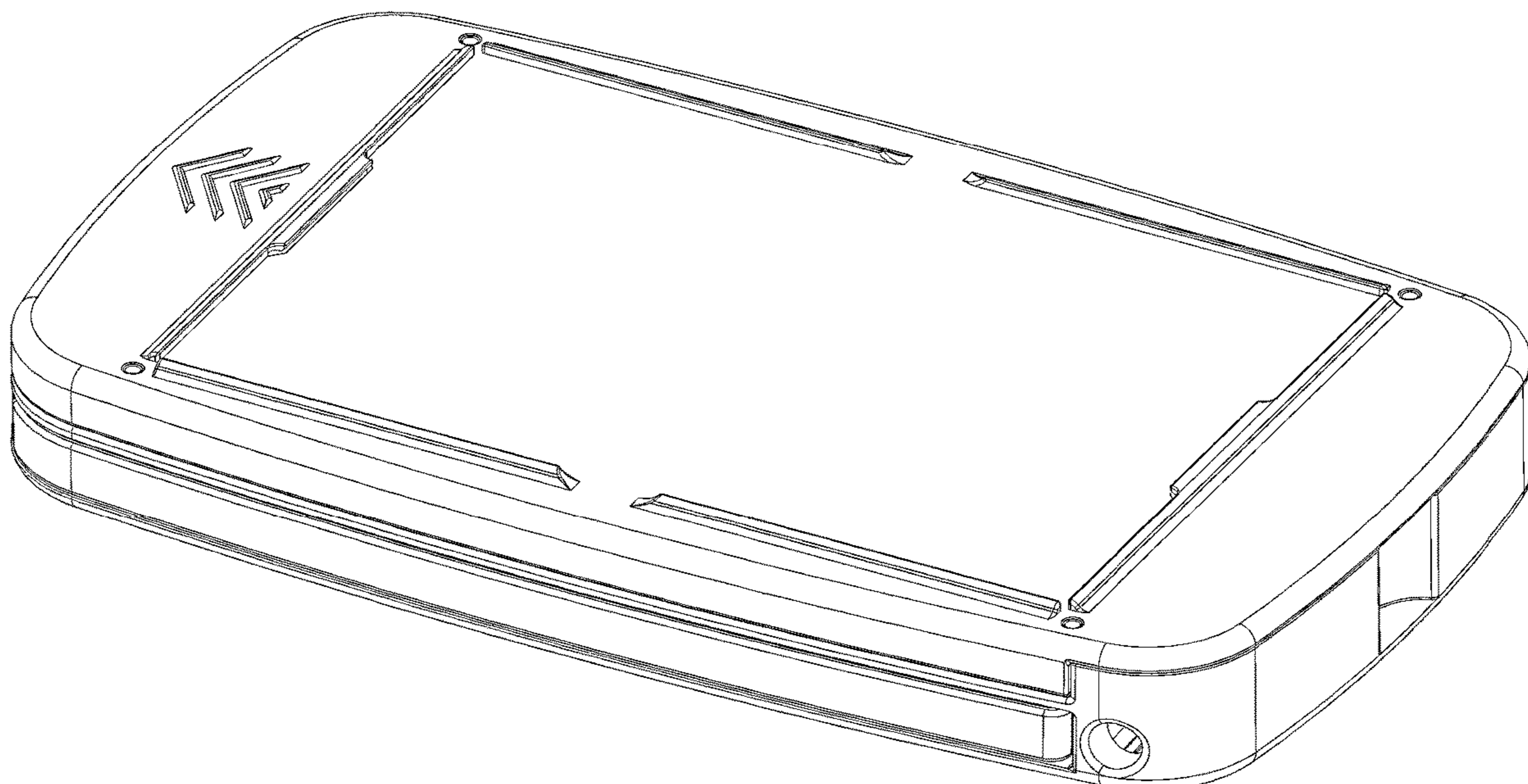
(57) **CLAIM**

The ornamental design for a portable art case, as shown and described.

DESCRIPTION

FIG. 1 shows a perspective view of the portable art case with the three components in their closed position, FIG. 2 shows a top view thereof, FIG. 3 shows a front view thereof. FIG. 4 shows a perspective view of the portable art case with the lid and drawer each partially open relative to the base, FIG. 5 shows a top view thereof, FIG. 6 shows a front view thereof. FIG. 7 shows a perspective view of the portable art case with the three components fully detached from each other, FIG. 8 shows a top view thereof; and, FIG. 9 shows a front view thereof.

1 Claim, 9 Drawing Sheets



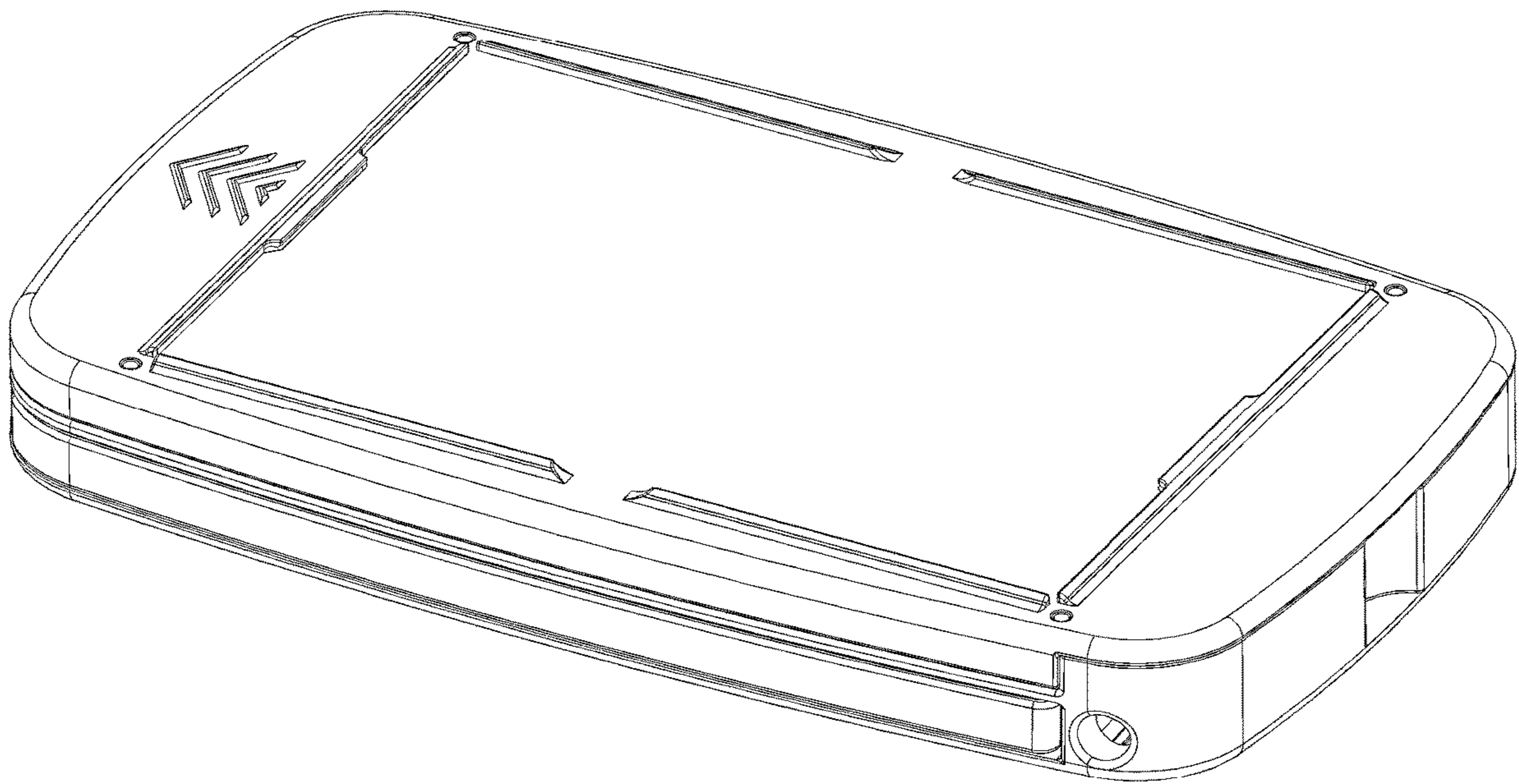


FIG. 1

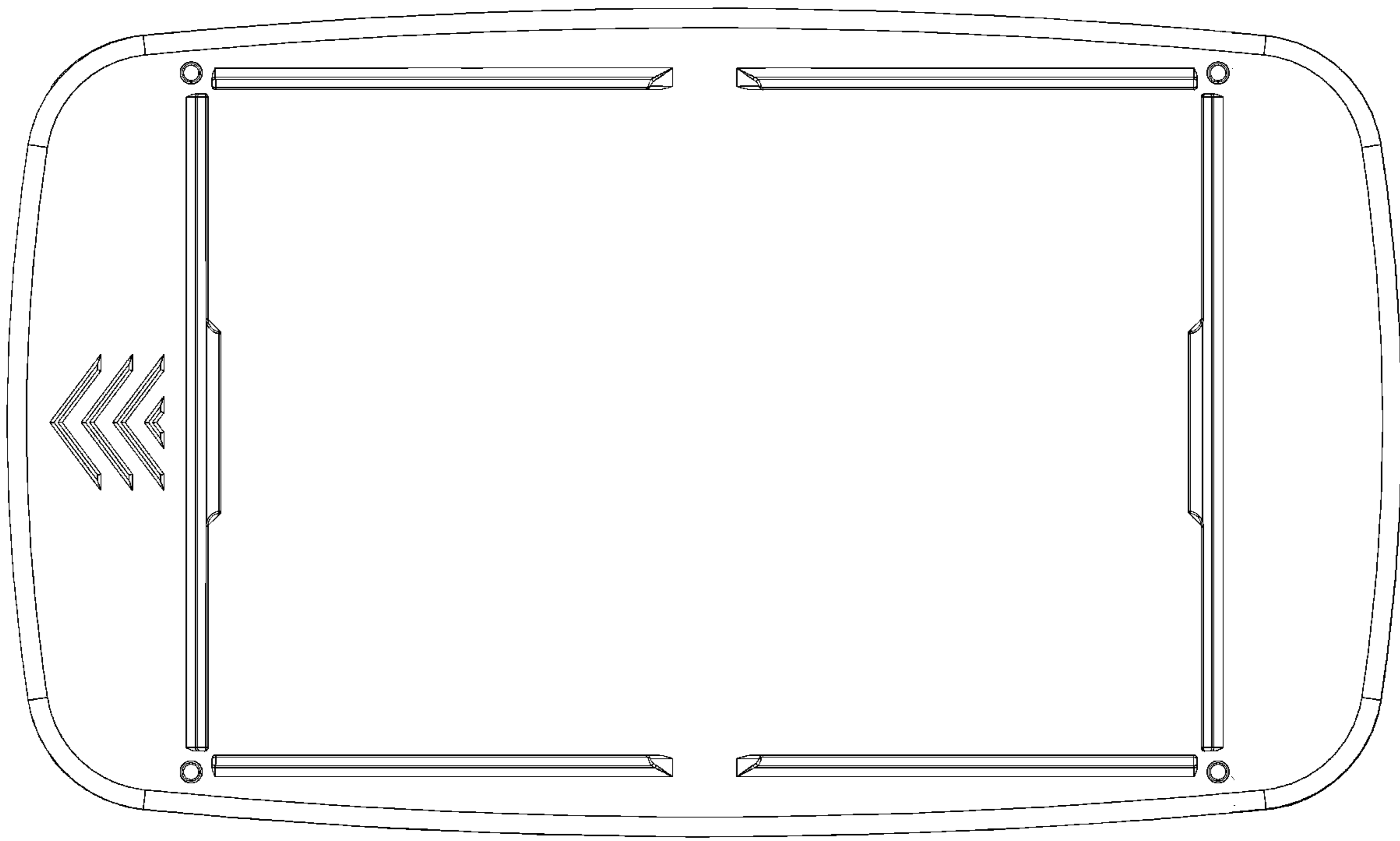


FIG. 2

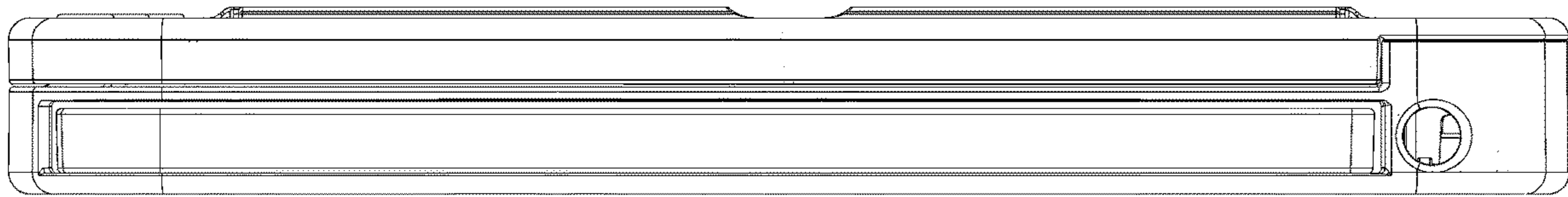


FIG. 3

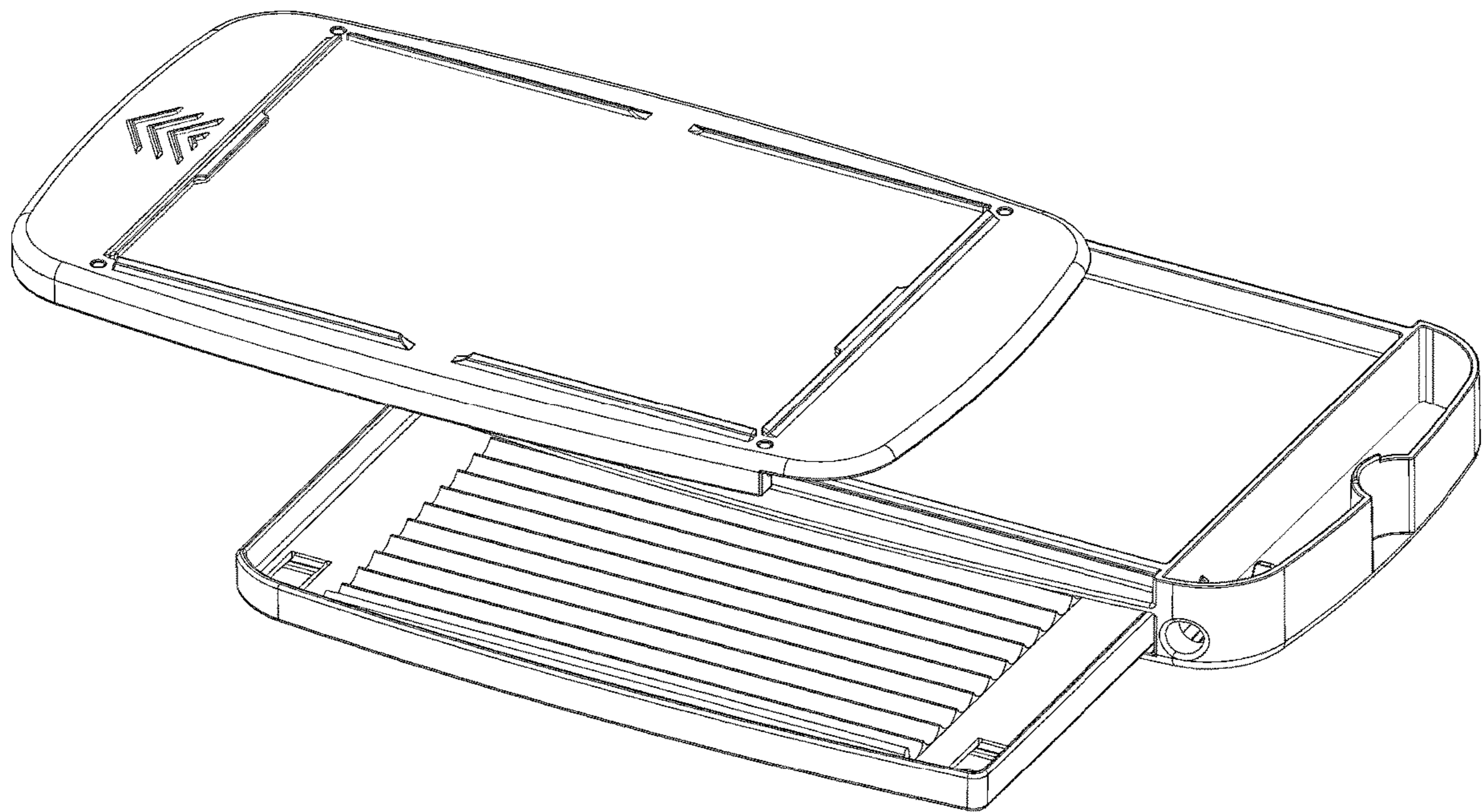


FIG. 4

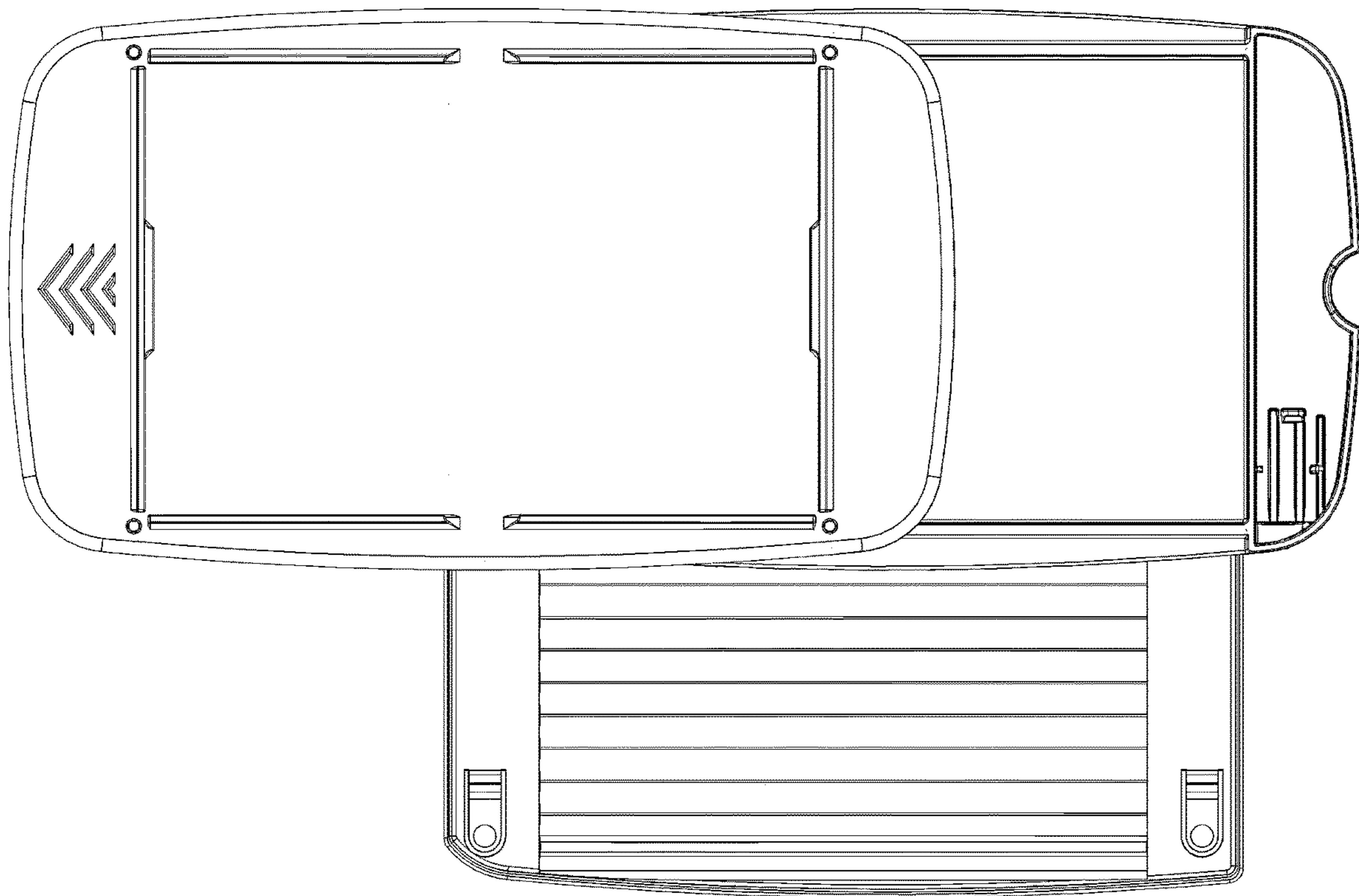


FIG. 5

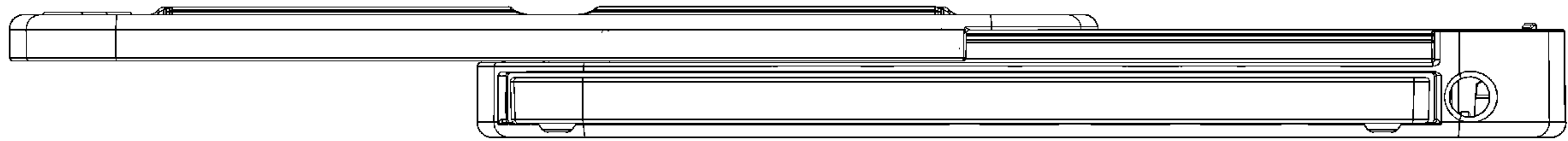


FIG. 6

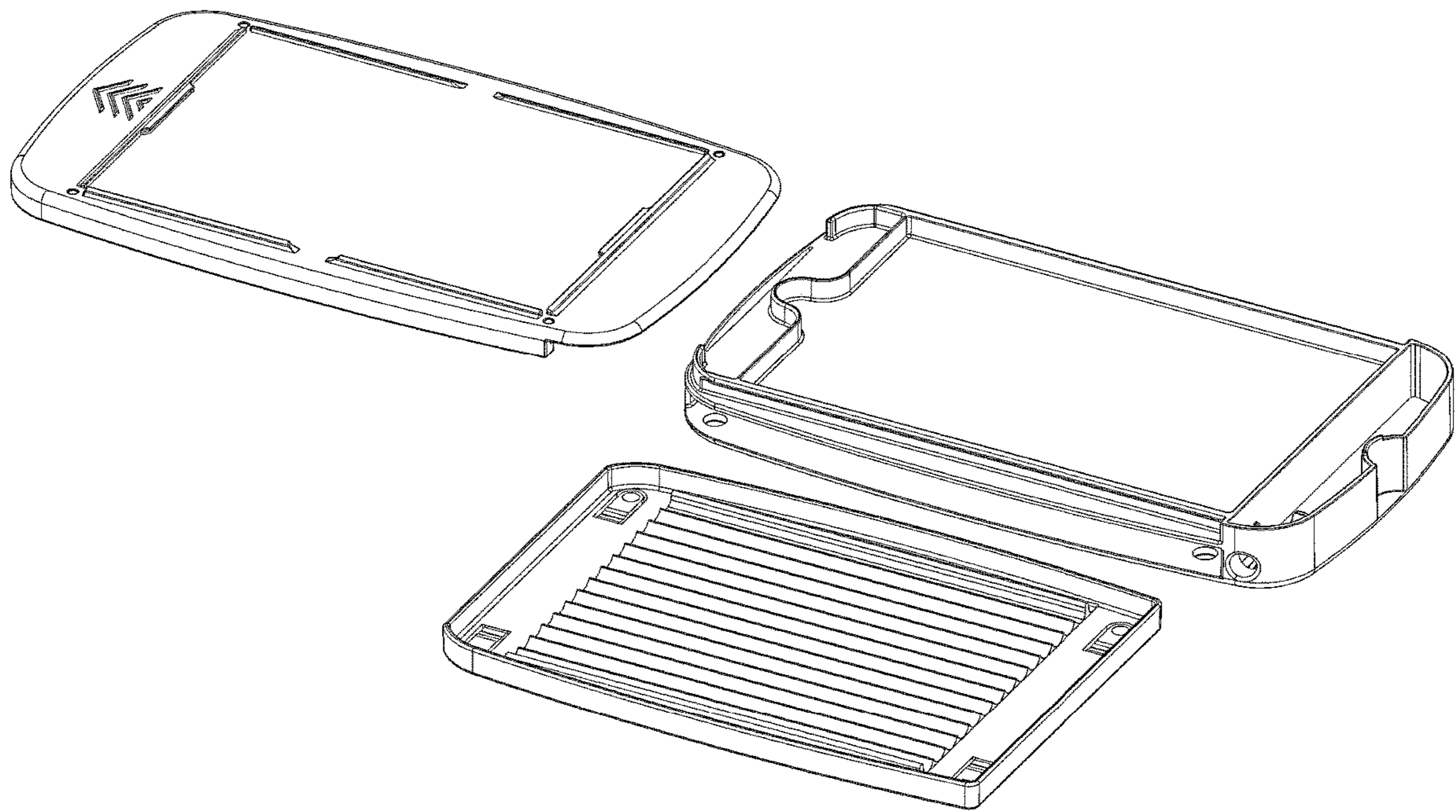


FIG. 7

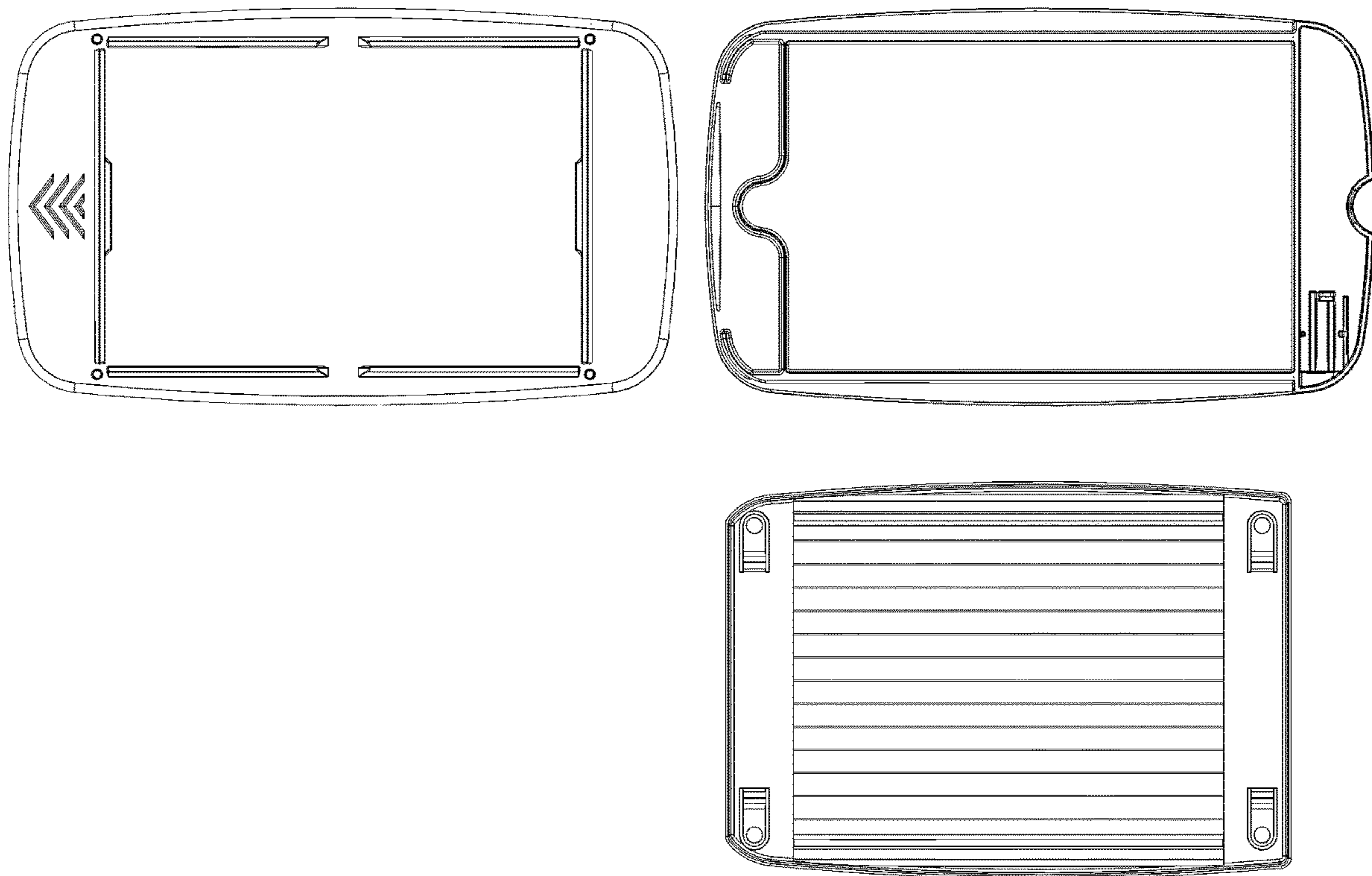


FIG. 8

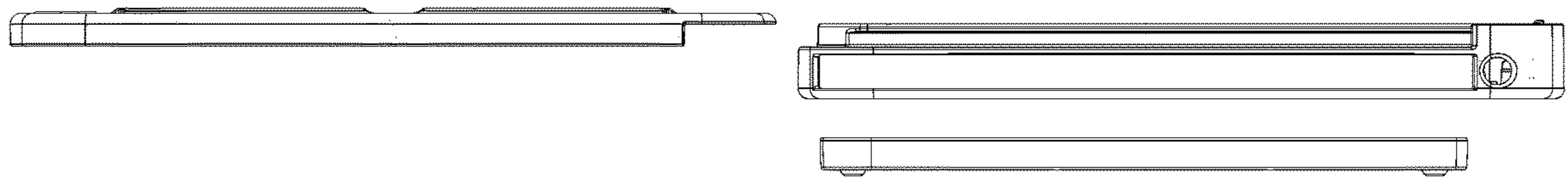


FIG. 9