



US00D963326S

(12) **United States Design Patent**  
**Cloward**

(10) **Patent No.:** **US D963,326 S**  
(45) **Date of Patent:** **\*\* Sep. 13, 2022**

- (54) **SEAM RIPPER**
- (71) Applicant: **Cindy L. Cloward**, Alpine, UT (US)
- (72) Inventor: **Cindy L. Cloward**, Alpine, UT (US)
- (\*\*) Term: **15 Years**
- (21) Appl. No.: **29/809,739**
- (22) Filed: **Sep. 29, 2021**

- 5,896,667 A \* 4/1999 Hawkins ..... B26B 3/00  
30/294
  - D418,672 S \* 1/2000 Mobbs ..... B26B 27/00  
D3/18
  - 6,240,645 B1 \* 6/2001 Ozeki ..... B26B 5/00  
30/240
  - D621,855 S \* 8/2010 Davison, III ..... D15/78
  - 9,402,644 B2 † 8/2016 Racenet ..... A61B 17/320016
  - D792,705 S \* 7/2017 Farnum ..... D3/18
  - D820,582 S \* 6/2018 Farnum ..... D3/18
  - 10,092,052 B2 † 10/2018 Farnum ..... A41H 31/005
  - 10,219,567 B2 † 3/2019 Farnum ..... D05B 89/00
- (Continued)

**Related U.S. Application Data**

- (62) Division of application No. 29/724,855, filed on Feb. 19, 2020, now Pat. No. Des. 934,555.
- (51) **LOC (13) Cl.** ..... **03-01**
- (52) **U.S. Cl.**  
USPC ..... **D3/18**
- (58) **Field of Classification Search**  
USPC ..... D3/18, 20, 28; D15/77, 78  
CPC ..... B26B 1/08; B26B 29/02; B26B 5/005;  
D05B 89/00; D05B 37/04; A41H 31/005  
See application file for complete search history.

**References Cited**

**U.S. PATENT DOCUMENTS**

- 2,764,814 A \* 10/1956 Jecker ..... A41H 31/005  
30/294
- 3,100,935 A \* 8/1963 Leafe ..... A41H 31/005  
30/294
- D222,660 S \* 11/1971 Miles et al. .... D3/18
- D225,700 S \* 1/1973 Ament et al. .... A45D 2/00  
D3/18
- D225,701 S \* 1/1973 Ament et al. .... D3/18
- 3,972,117 A \* 8/1976 Fogg ..... B26B 27/00  
30/294
- 4,175,498 A \* 11/1979 Walters ..... D05B 89/00  
112/129
- 4,510,688 A \* 4/1985 White ..... B26B 27/00  
30/294
- D296,042 S \* 6/1988 Lee ..... D3/18
- D351,059 S \* 10/1994 Kahlcke ..... D3/18

**OTHER PUBLICATIONS**

Cindy's Seam Ripper by Riley Blake Designs, amazon.com, [https://www.amazon.com/Cindys-Ripper-Riley-Blake-Designs/dp/B08L9R6SPS/ref=pd\\_ybh\\_a\\_38?\\_encoding=UTF8&psc=1&refRID=N8XBM4NTR4HP3CPQDT52](https://www.amazon.com/Cindys-Ripper-Riley-Blake-Designs/dp/B08L9R6SPS/ref=pd_ybh_a_38?_encoding=UTF8&psc=1&refRID=N8XBM4NTR4HP3CPQDT52) (Year: 2020). †

*Primary Examiner* — Steven J Czyz  
(74) *Attorney, Agent, or Firm* — Terrence J. Edwards;  
TechLaw Ventures, PLLC

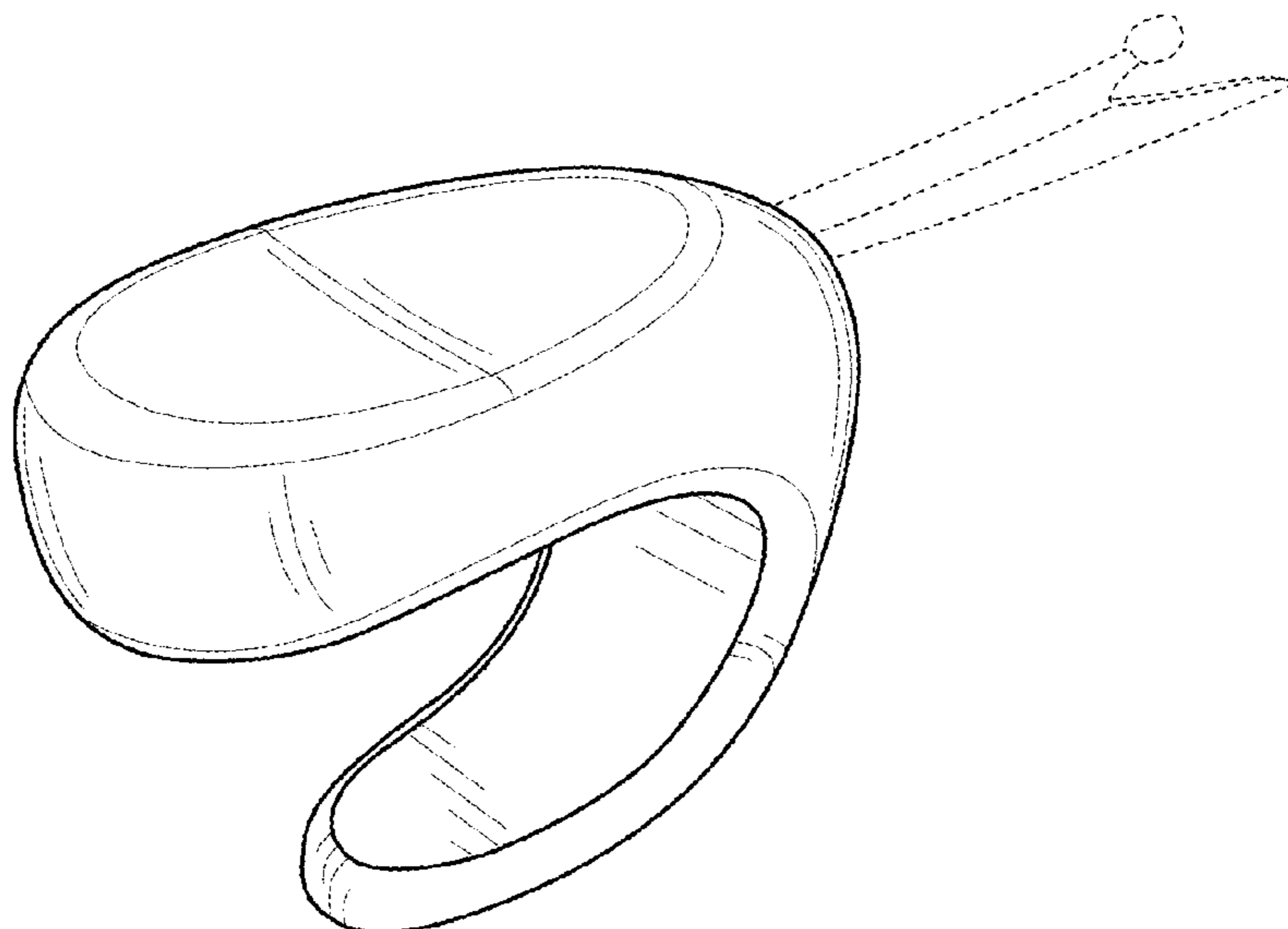
**CLAIM**

(57) I claim the ornamental design for a seam ripper, as shown and described.

**DESCRIPTION**

FIG. 1 is a top perspective view of a seam ripper;  
FIG. 2 is a top view thereof;  
FIG. 3 is a bottom view thereof;  
FIG. 4 is a side view thereof;  
FIG. 5 is a side view thereof;  
FIG. 6 is a front view thereof; and,  
FIG. 7 is a rear view thereof.  
The broken lines shown in the drawings represent unclaimed portions of the seam ripper and form no part of the claimed design.

**1 Claim, 3 Drawing Sheets**



(56)

**References Cited**

U.S. PATENT DOCUMENTS

10,427,310 B2 \* 10/2019 Scimone ..... D05B 89/00  
 D877,487 S \* 3/2020 Iwasaki ..... D3/18  
 10,729,198 B2 \* 8/2020 Iwasaki ..... A41H 31/005  
 D934,555 S \* 11/2021 Cloward ..... D3/18  
 D939,822 S \* 1/2022 Cloward ..... D3/18  
 2005/0193568 A1 \* 9/2005 Peyrot ..... B26B 29/02  
 30/162  
 2005/0262704 A1 \* 12/2005 DiSanto ..... A41H 31/005  
 30/289  
 2007/0125398 A1 \* 6/2007 Johnson ..... A45D 2/00  
 132/200  
 2008/0235954 A1 \* 10/2008 Radle ..... B26B 5/00  
 30/152  
 2014/0182140 A1 \* 7/2014 Rosenhan ..... A61B 17/3213  
 30/162  
 2014/0277042 A1 \* 9/2014 Racenet ..... A61B 17/320016  
 606/170  
 2017/0099903 A1 \* 4/2017 Farnum ..... A41H 31/005  
 2017/0099904 A1 \* 4/2017 Farnum ..... D05B 89/00  
 2019/0104794 A1 \* 4/2019 Iwasaki ..... A41H 31/005  
 2021/0161234 A1 \* 6/2021 Etzler ..... A41H 31/005

\* cited by examiner

‡ imported from a related application

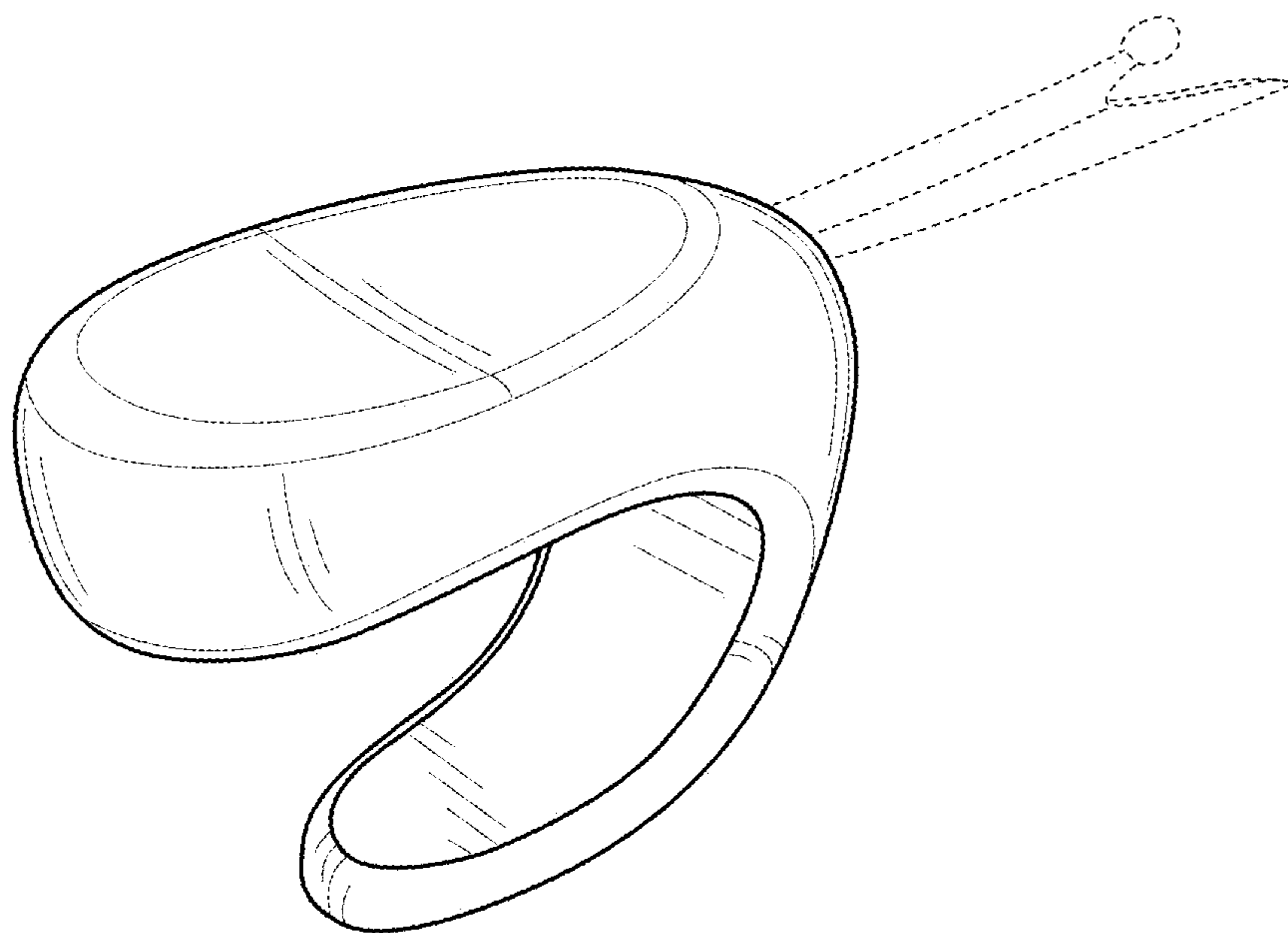


FIG. 1

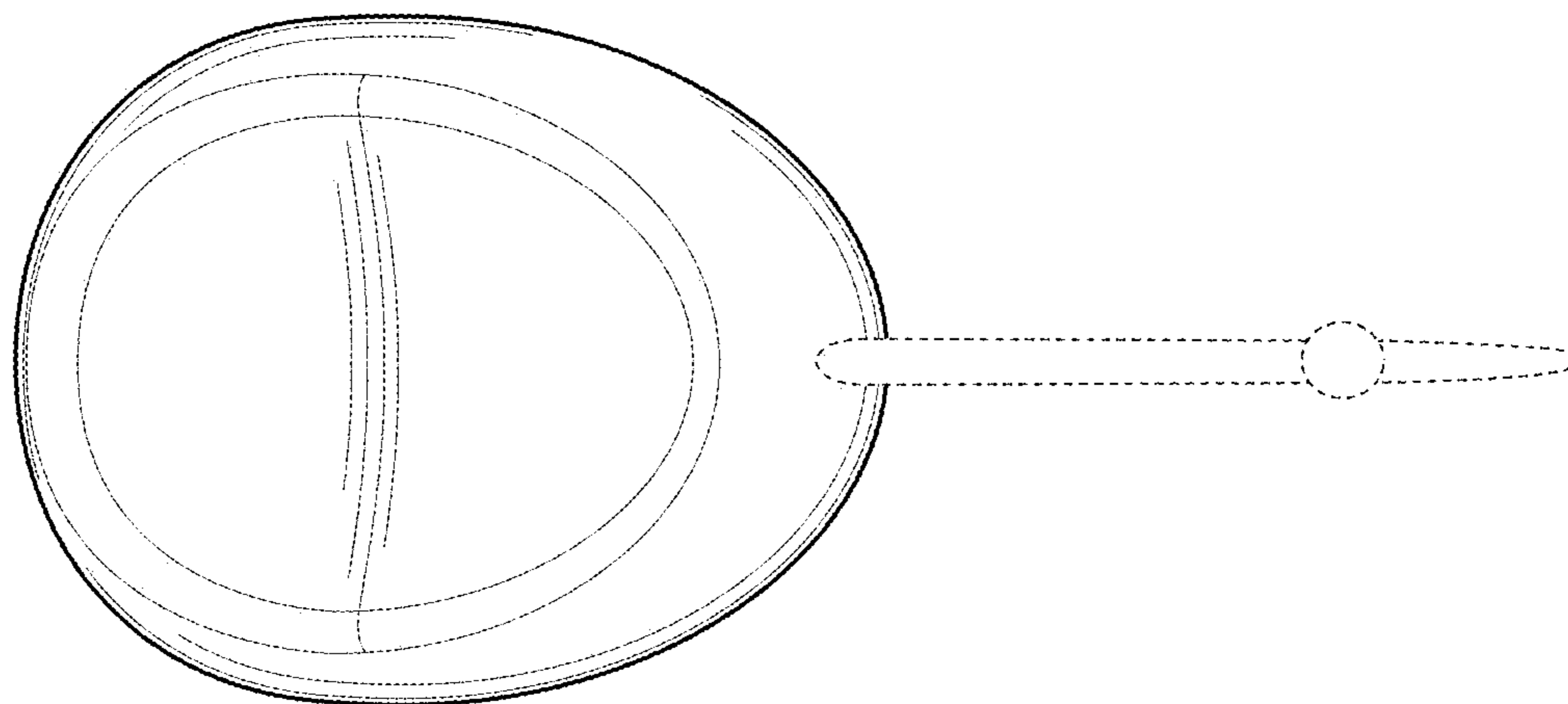


FIG. 2

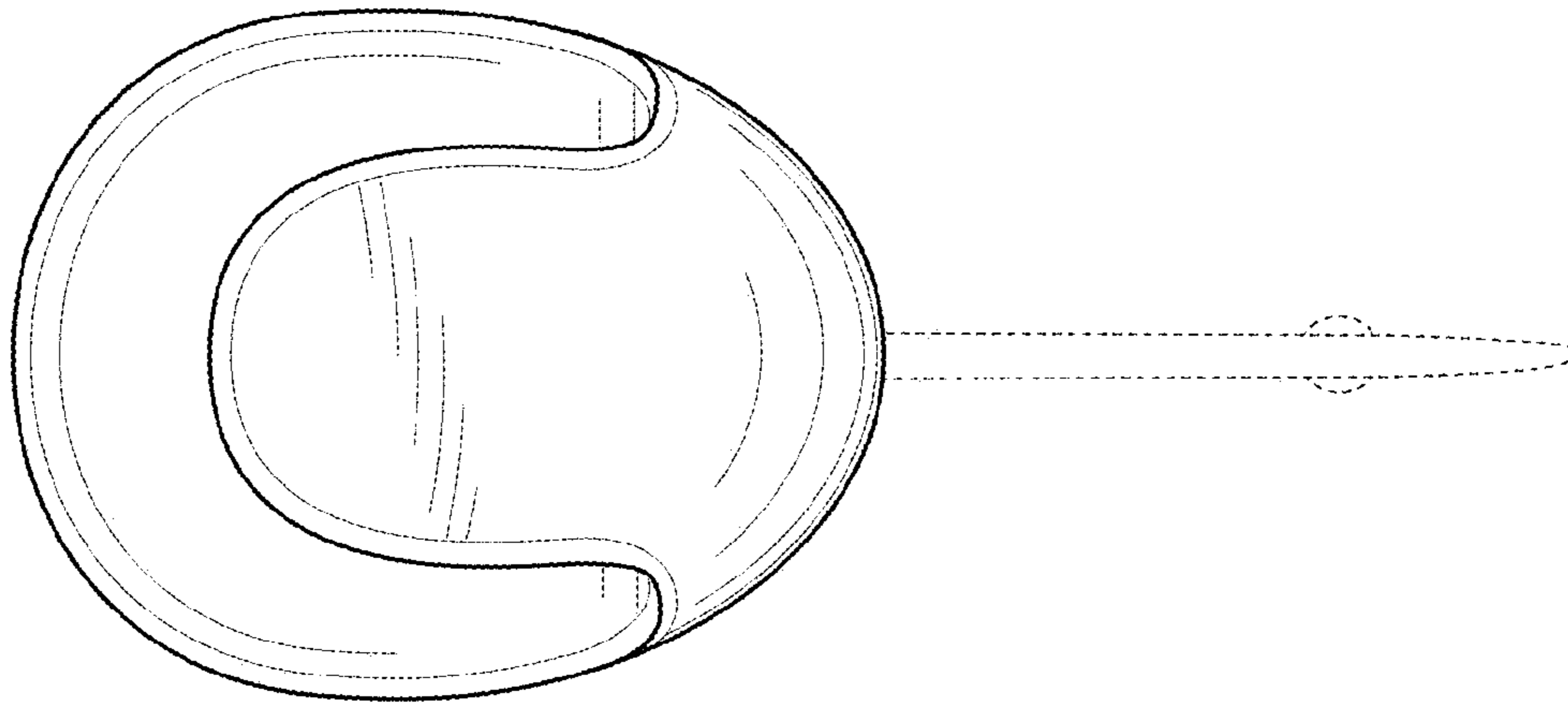


FIG. 3

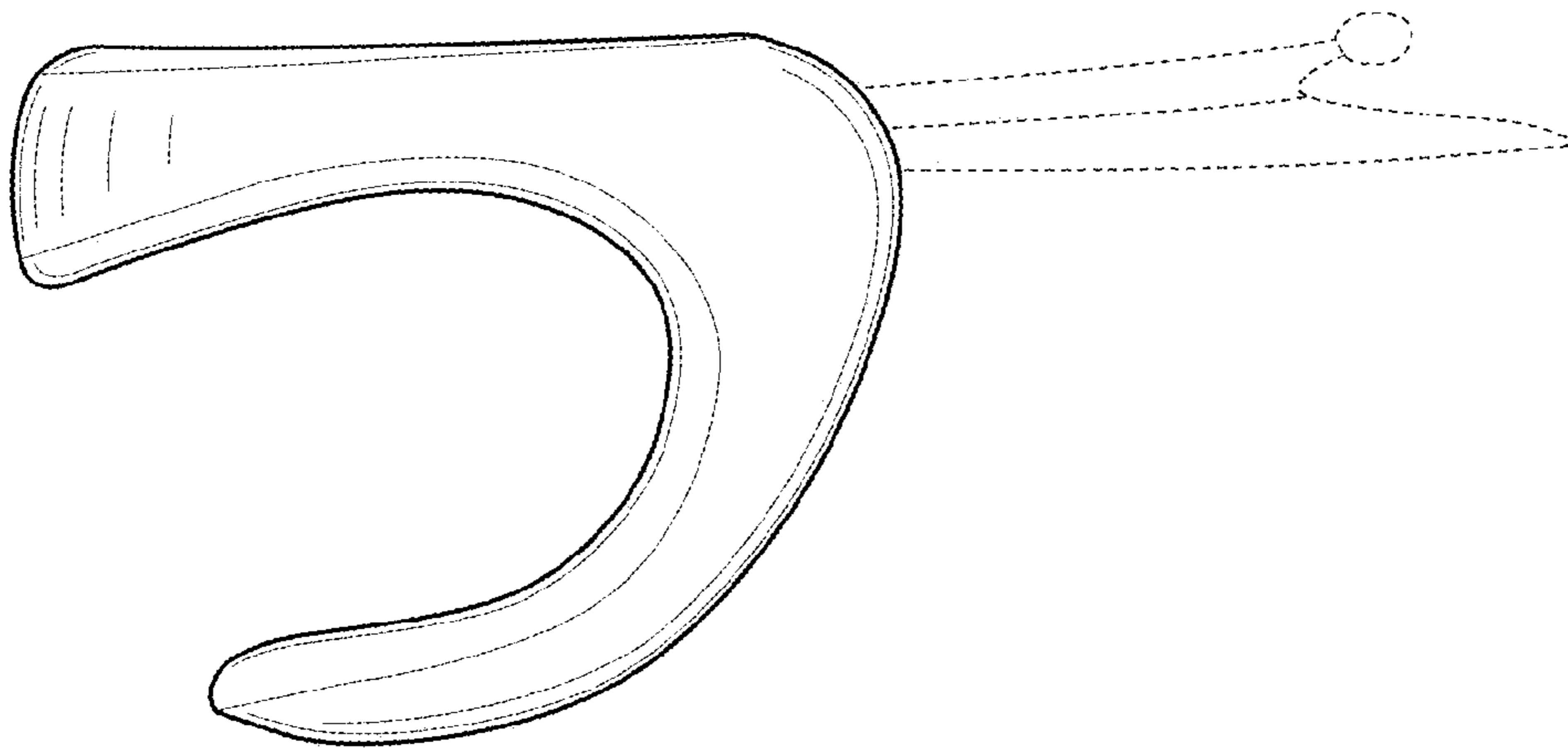


FIG. 4

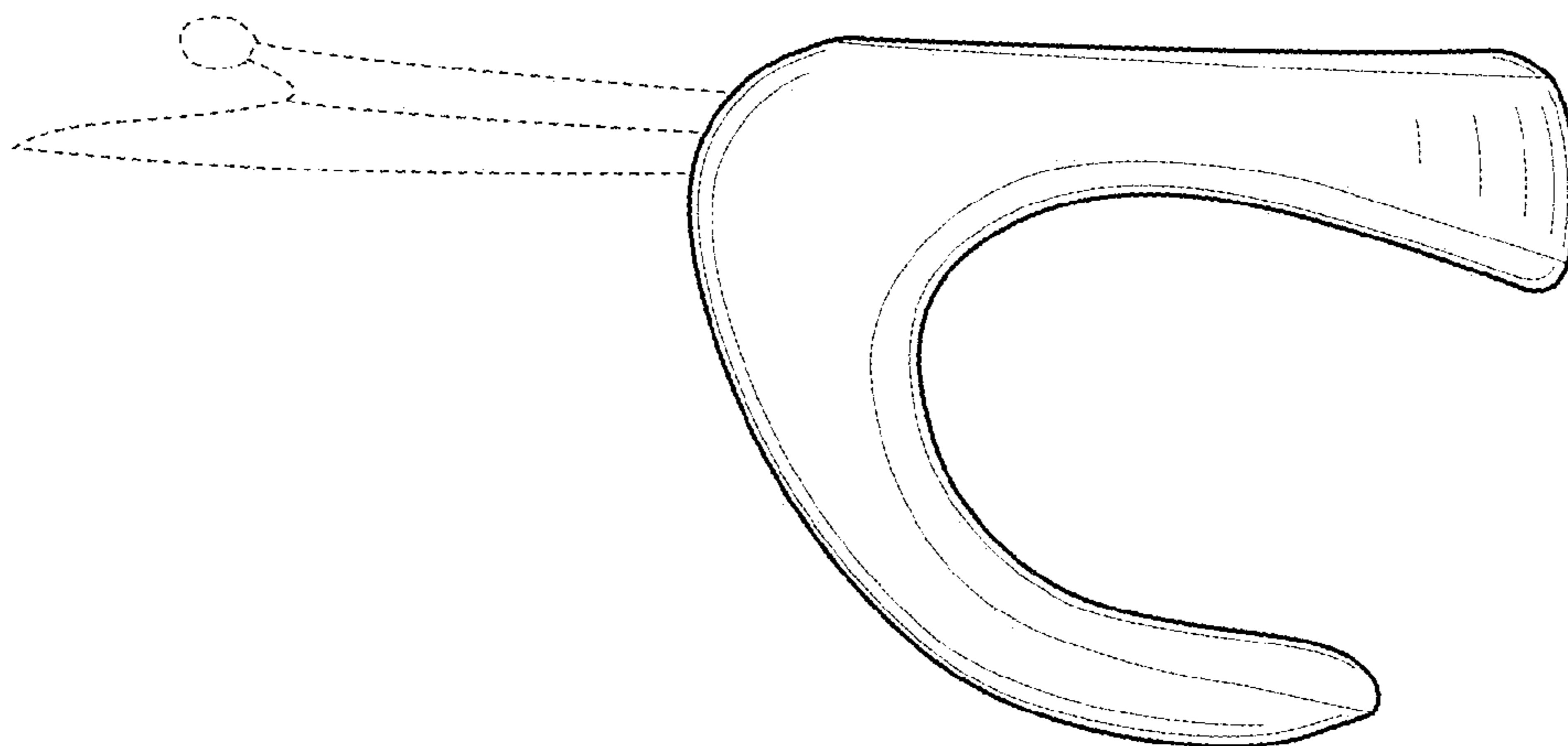


FIG. 5

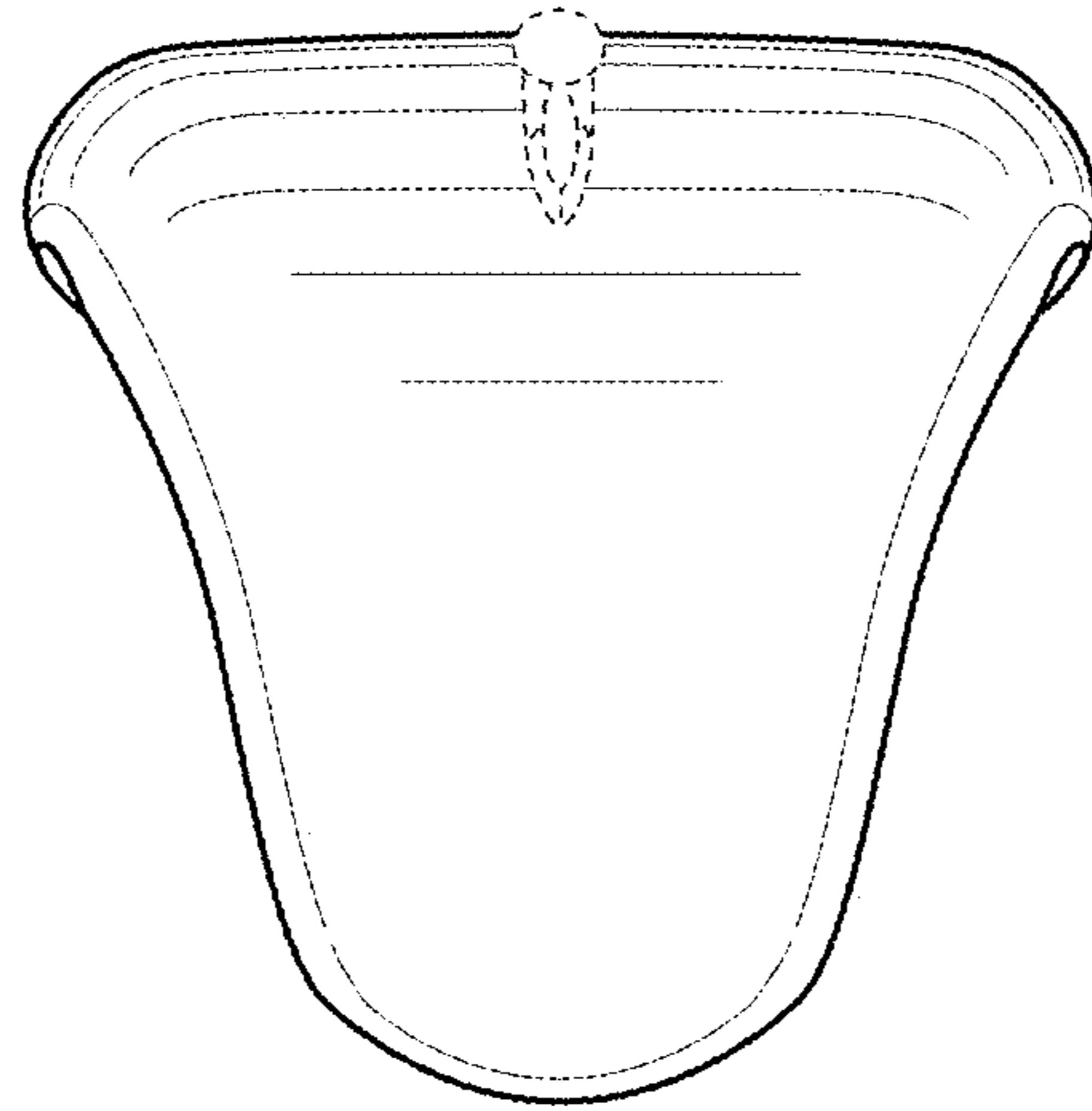


FIG. 6

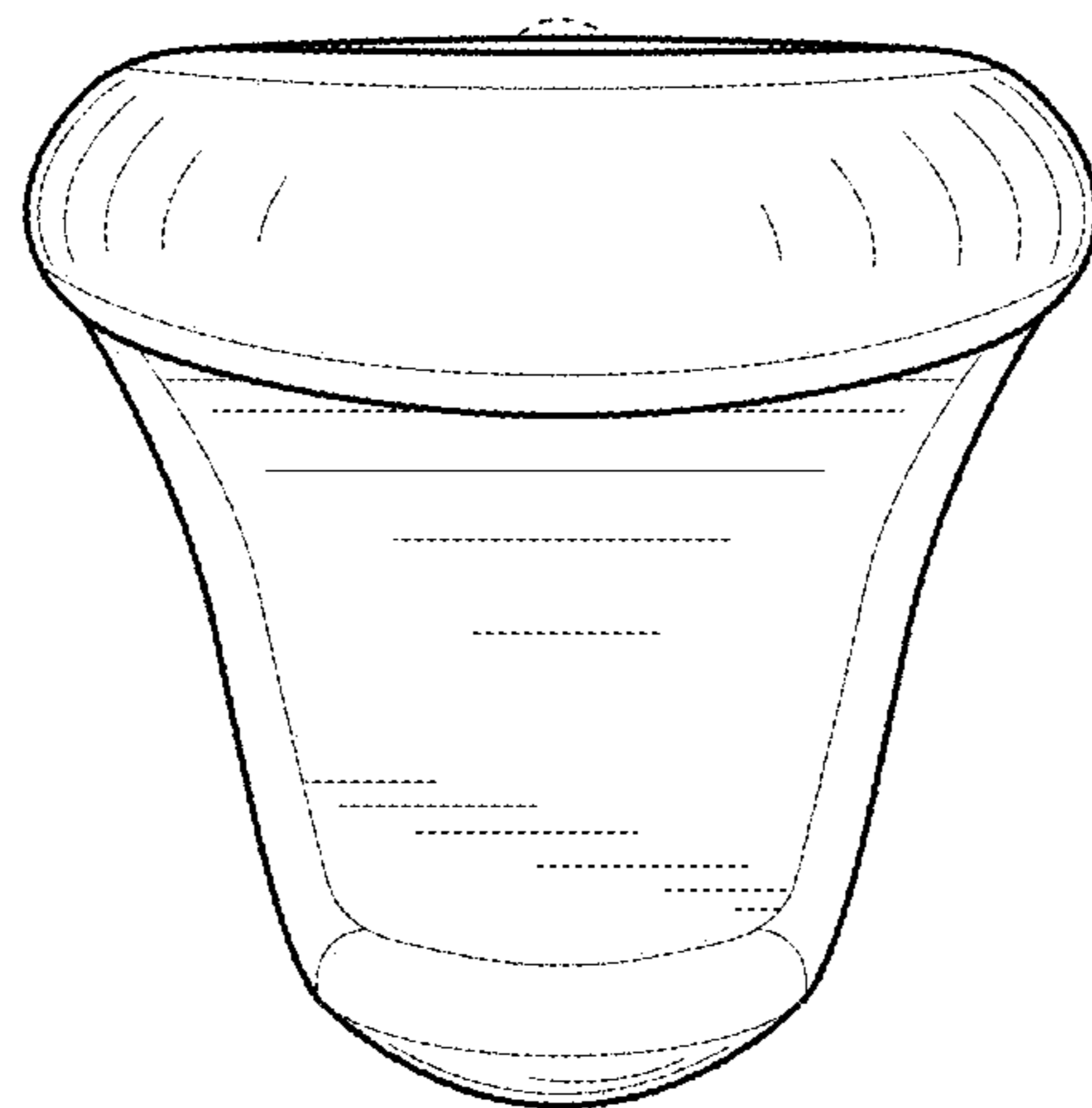


FIG. 7