



US00D963320S

(12) **United States Design Patent** (10) **Patent No.:** **US D963,320 S**
Li (45) **Date of Patent:** **** Sep. 13, 2022**

(54) **SHOELACE BUCKLE**

FOREIGN PATENT DOCUMENTS

(71) Applicant: **Xing Li**, Bengbu (CN)

GB 6127752 * 3/2021

(72) Inventor: **Xing Li**, Bengbu (CN)

OTHER PUBLICATIONS

(**) Term: **15 Years**

Elastic Shoe Laces for Kids and Adults, First available: Feb. 26, 2021 [online], [visited: Jul. 15, 2022] Available from the internet URL: <https://www.amazon.com/Elastic-Laces-Adults-Sneakers-Shoelaces/dp/B08XM8GJG5/ref> (Year: 2021).*

(21) Appl. No.: **29/792,926**

(Continued)

(22) Filed: **Apr. 29, 2022**

(51) **LOC (13) Cl.** **02-07**

(52) **U.S. Cl.**

USPC **D2/978**; D2/946

(58) **Field of Classification Search**

USPC D2/911, 912, 928, 929, 935, 943, 944, D2/946, 969, 976, 978; D8/29, 330, 333, D8/343, 349, 383, 394; D11/1, 3, 4, 5, D11/12, 87, 200, 231

CPC A43C 1/00; A43C 3/00; A43C 3/02; A43C 3/04; A43C 9/00; A43C 9/04; A43C 11/08; A43C 11/14; E05C 17/36

See application file for complete search history.

Primary Examiner — Jonathan J Han

Assistant Examiner — Jeff Lenard D Torres

(57)

CLAIM

The ornamental design for a shoelace buckle, as shown and described.

DESCRIPTION

FIG. 1 is a perspective view of a shoelace buckle showing my new design;

FIG. 2 is another perspective view thereof;

FIG. 3 is a front elevational view thereof;

FIG. 4 is a rear elevational view thereof;

FIG. 5 is a left side elevational view thereof;

FIG. 6 is a right side elevational view thereof;

FIG. 7 is a top plan view thereof;

FIG. 8 is a bottom plan view thereof;

FIG. 9 is a perspective view of the shoelace buckle where the shoelace buckle is in a configuration of use; and,

FIG. 10 is an enlarged view of portion 10 shown in FIG. 1. The dash-dash broken lines in the drawings depict portions of the shoelace buckle and environment that form no part of the claimed design. The dot-dash broken lines show an area of enlargement and the dot-dash lines form no part of the claimed design.

(56)

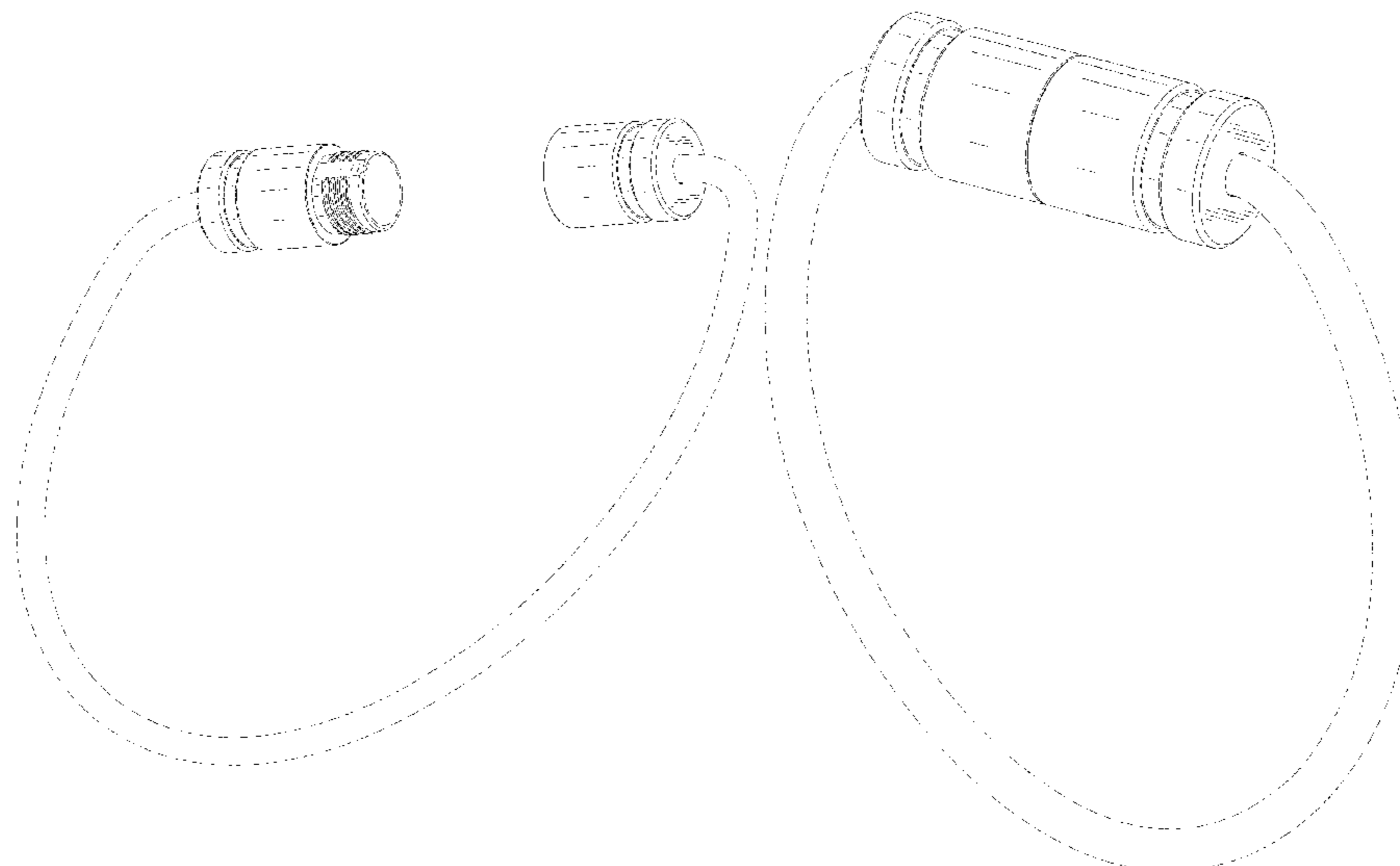
References Cited

U.S. PATENT DOCUMENTS

856,480	A *	6/1907	Long	A44C 5/2047
					D11/4
2,623,256	A *	12/1952	Feibelman	A44C 5/2076
					63/3
2,674,021	A *	4/1954	Cataldi	A43C 7/00
					D2/978
D200,394	S *	2/1965	Hakim	D2/978
D264,680	S *	6/1982	Widen	D8/343
5,782,107	A *	7/1998	Glanz	A44C 5/2076
					63/3.1
D444,050	S *	6/2001	Wyers	D8/341
6,243,929	B1 *	6/2001	Curwood	A44C 5/2019
					63/3.1
D479,393	S *	9/2003	Weitzman	D2/978
D526,546	S *	8/2006	Jirele	D8/29
D541,690	S *	5/2007	Schrimmer	D11/3

(Continued)

1 Claim, 10 Drawing Sheets



(56)

References Cited

U.S. PATENT DOCUMENTS

D581,248 S * 11/2008 Wu D8/343
 D601,915 S * 10/2009 Heroux D11/87
 D605,927 S * 12/2009 Wyers D8/331
 D684,496 S * 6/2013 Haimoff D11/3
 D690,187 S * 9/2013 Deslias D8/343
 D741,740 S * 10/2015 DiPietro D11/87
 D791,006 S * 7/2017 Ramsey D11/4
 D827,731 S * 9/2018 Hirsch D21/662
 D849,591 S * 5/2019 DiPietro D11/87
 D849,592 S * 5/2019 Kirkpatrick D11/87
 10,722,005 B1 * 7/2020 DiPietro A44C 5/2052
 D907,352 S * 1/2021 Wu
 D907,353 S * 1/2021 Wu D2/978
 D913,840 S * 3/2021 Lachapelle D11/87
 D913,841 S * 3/2021 Lachapelle D11/87
 D925,901 S * 7/2021 Wu
 11,071,358 B2 * 7/2021 Aviv A44B 19/26
 D947,706 S * 4/2022 Piazza D11/5
 D948,200 S * 4/2022 Zhang D2/976

D951,622 S * 5/2022 Chang D2/978
 2008/0295305 A1 * 12/2008 Hsu A43C 9/04
 24/715.6
 2021/0289894 A1 * 9/2021 Piazza D04C 1/02

OTHER PUBLICATIONS

Motzu 24 Pieces Shoelaces Buckle Lock Metal Connector, First available: Mar. 13, 2020 [online], [visited: Jul. 15, 2022] Available from the internet URL: [https://www.amazon.com/MOTZU-Shoelaces-Connector-Replacement-Athletic/dp/B085WN1P54/ref=\(Year:2020\).](https://www.amazon.com/MOTZU-Shoelaces-Connector-Replacement-Athletic/dp/B085WN1P54/ref=(Year:2020).)*
 Slickieslaces, First available: Oct. 27, 2020 [online], [visited: Jul. 15, 2022] Available from the internet URL: https://www.youtube.com/watch?v=d4z_XhNI3vQ&t=57s (Year: 2020).*
 DIY Metal Aglets, First available: Mar. 10, 2020 [online], [visited: Jul. 15, 2022] Available from the internet URL: [https://www.amazon.com/Aglets-Shoelace-Cylindrical-Protector-Install/dp/B085QDCKK6?source=ps-sl-shoppingads-lpcontext&ref=\(Year:2020\).](https://www.amazon.com/Aglets-Shoelace-Cylindrical-Protector-Install/dp/B085QDCKK6?source=ps-sl-shoppingads-lpcontext&ref=(Year:2020).)*

* cited by examiner

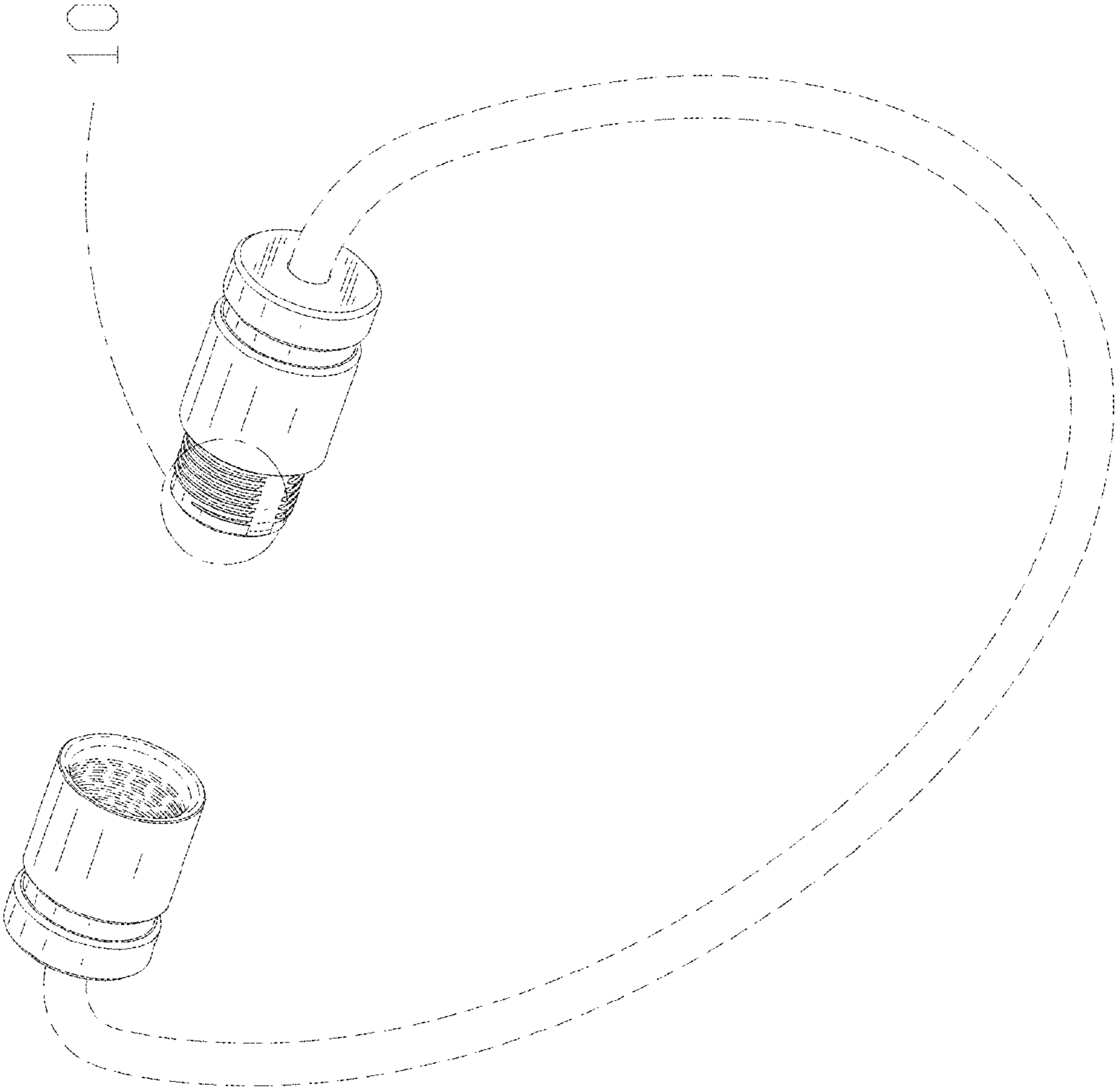


FIG. 1

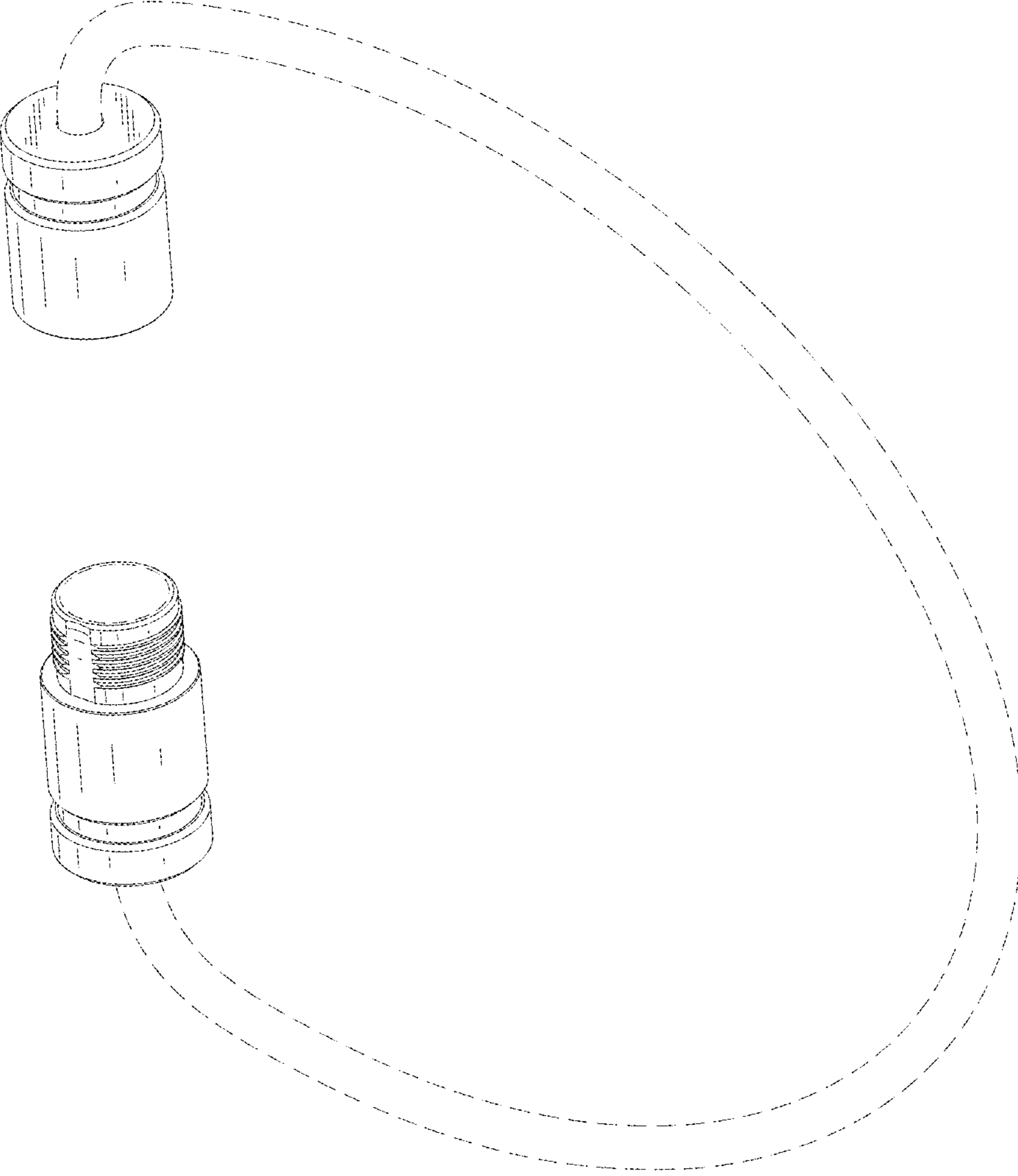


FIG. 2

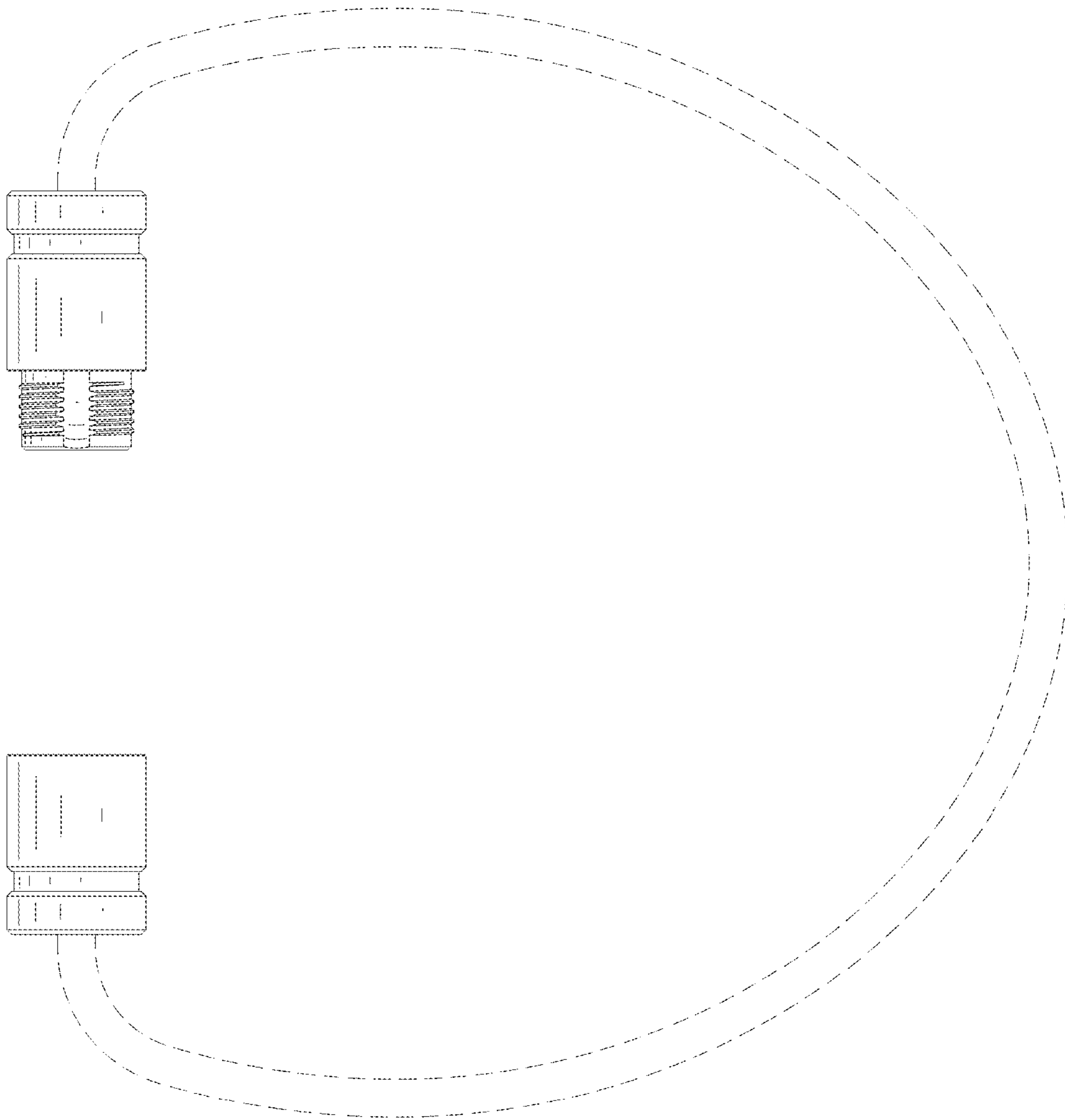


FIG. 3

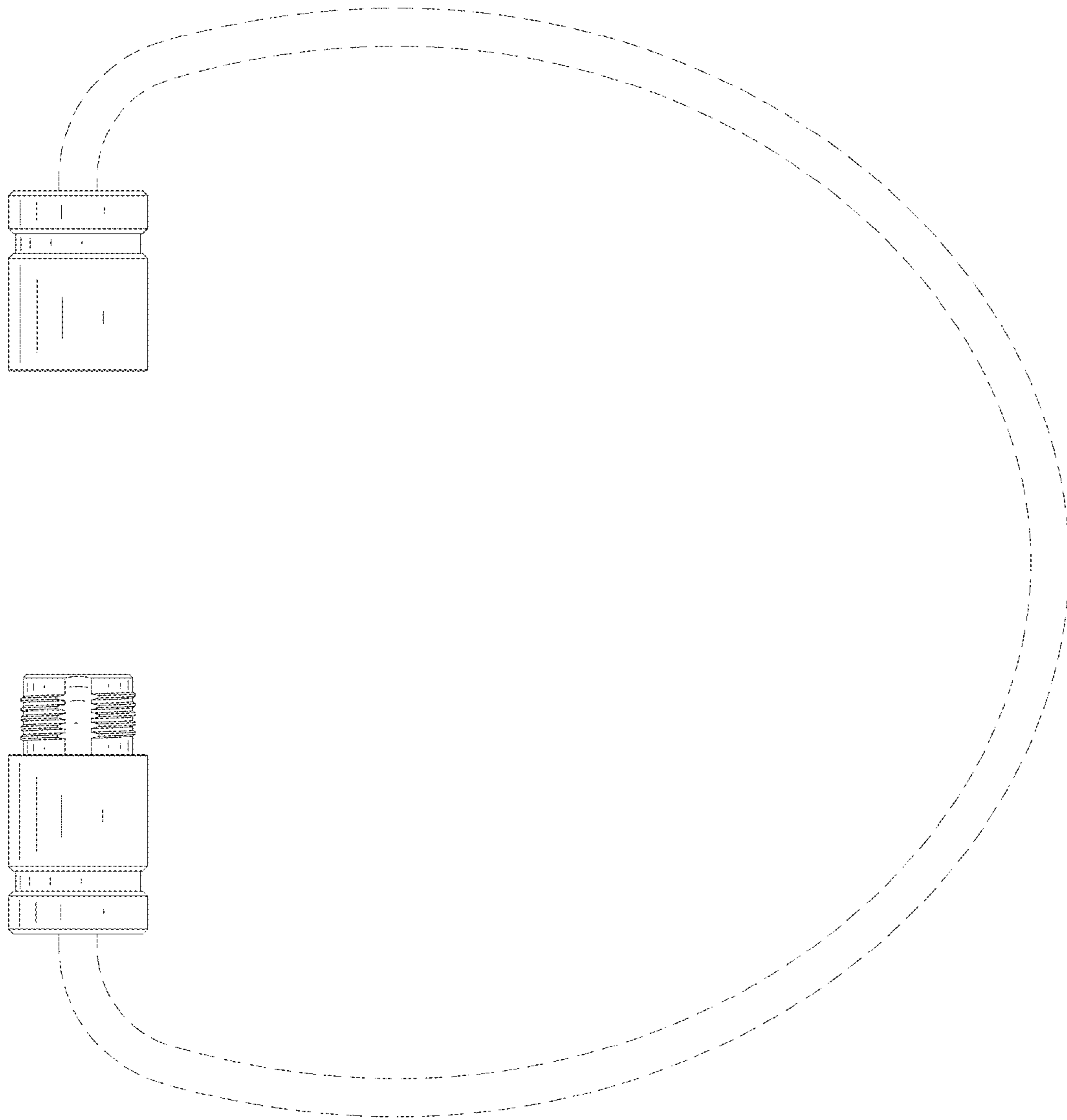


FIG. 4

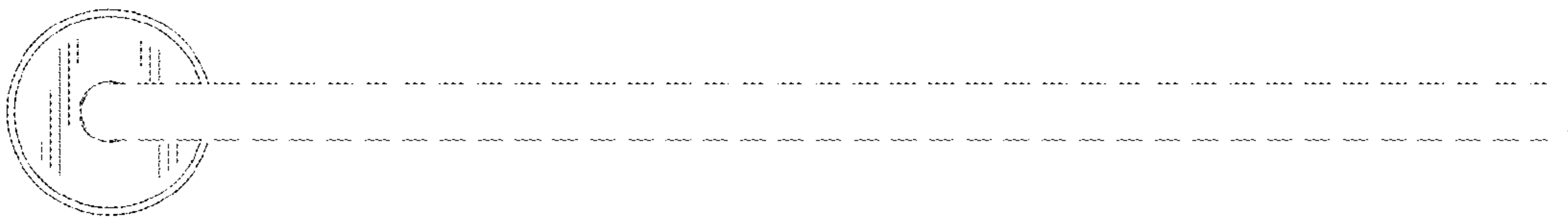


FIG. 5

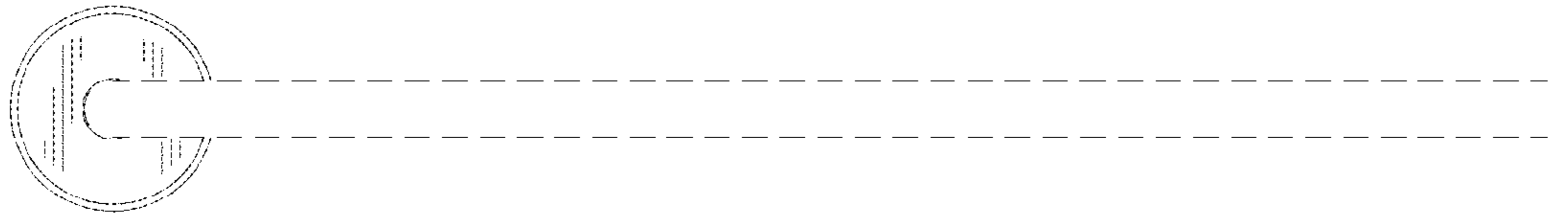


FIG. 6

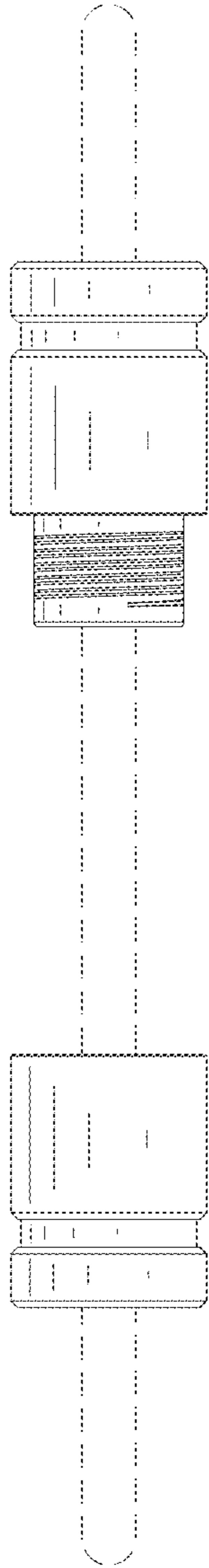


FIG. 7

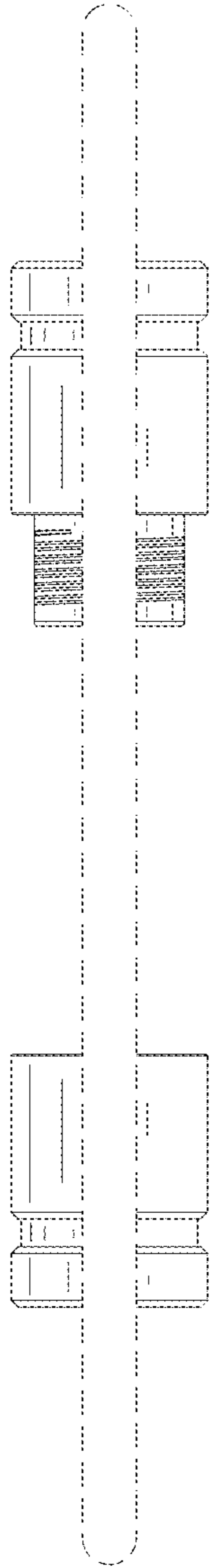


FIG. 8

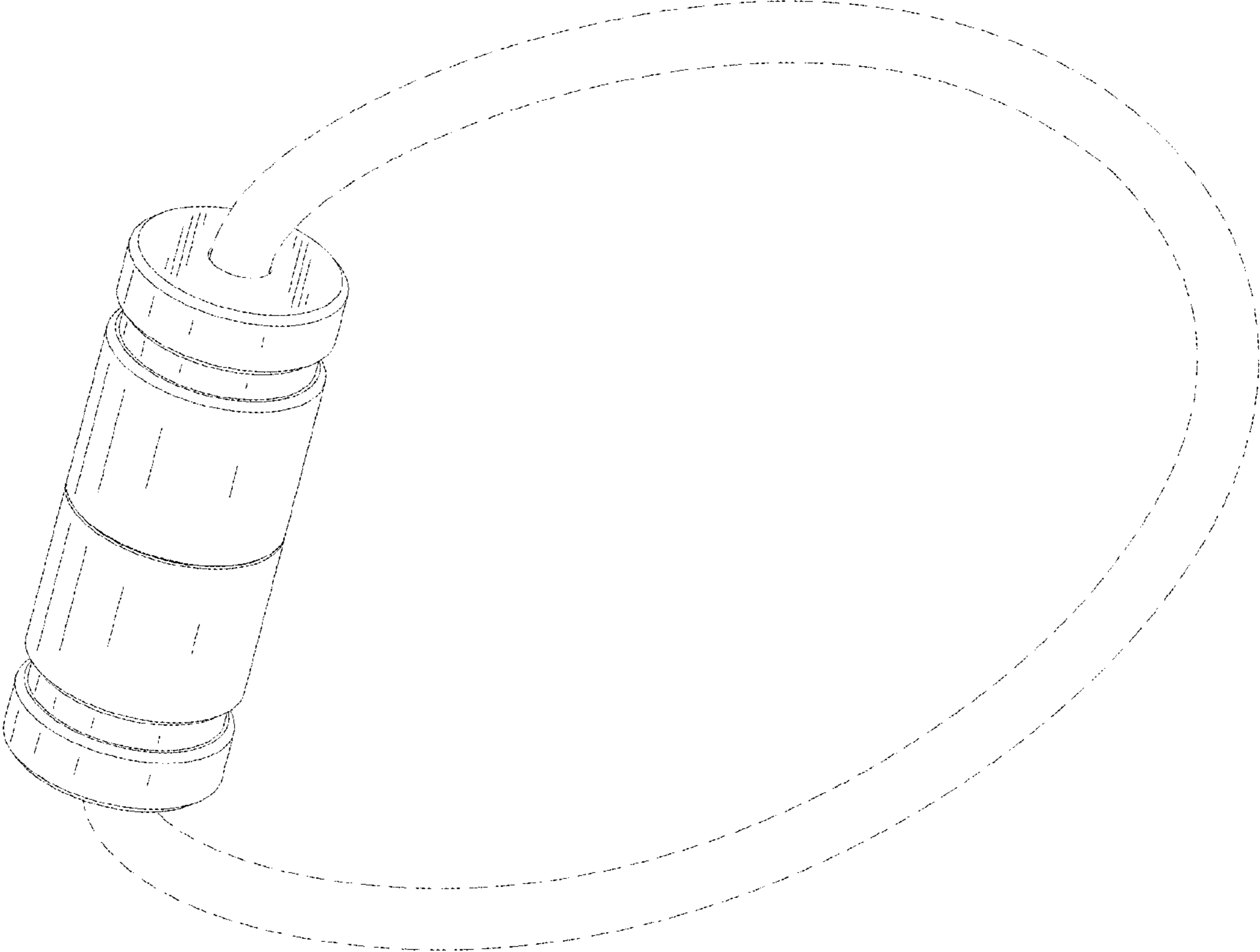


FIG. 9

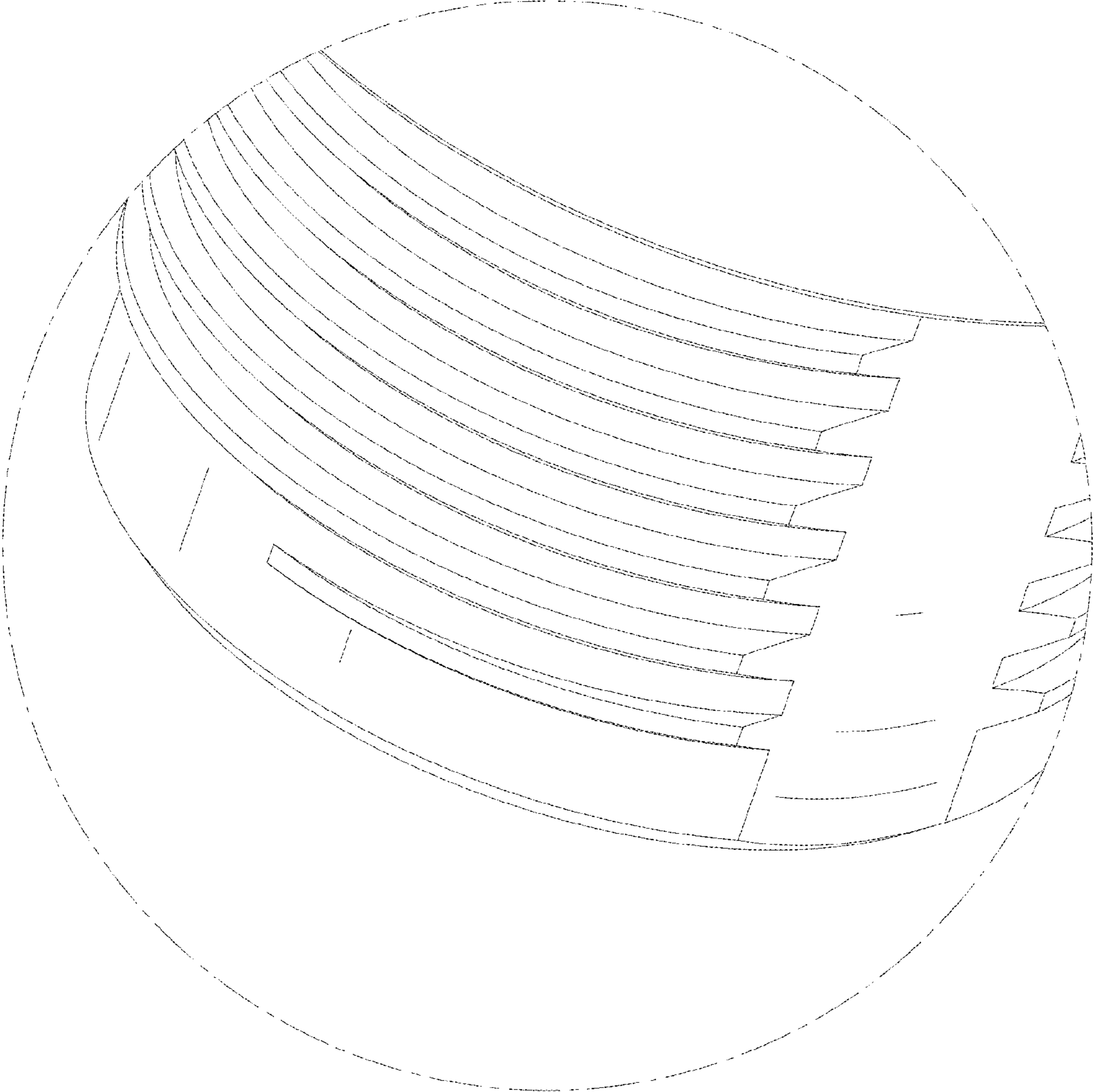


FIG. 10