



US00D963293S

(12) **United States Design Patent** (10) **Patent No.:** **US D963,293 S**  
**Rekis** (45) **Date of Patent:** **\*\* Sep. 13, 2022**

(54) **GARMENT**

(71) Applicant: **LULULEMON ATHLETICA CANADA INC.**, Vancouver (CA)

(72) Inventor: **Erika Leigh Rekis**, Vancouver (CA)

(73) Assignee: **LULULEMON ATHLETICA CANADA INC.**, Vancouver (CA)

(\*\*) Term: **15 Years**

(21) Appl. No.: **29/752,256**

(22) Filed: **Sep. 25, 2020**

(51) **LOC (13) Cl.** ..... **02-02**

(52) **U.S. Cl.**  
USPC ..... **D2/742**

(58) **Field of Classification Search**  
USPC ..... D2/742, 731, 728  
CPC ..... A41D 1/06; A41D 1/08  
See application file for complete search history.

(56) **References Cited**

**U.S. PATENT DOCUMENTS**

D736,495 S *	8/2015	Bednarz	.....	D2/742
D745,252 S *	12/2015	Bednarz	.....	D2/742
D787,158 S *	5/2017	Lago	.....	D2/742
D864,524 S *	10/2019	Lyon	.....	D2/742
D878,713 S *	3/2020	Sandra	.....	D2/742
D935,136 S *	11/2021	Freddi	.....	D2/742
2013/0219589 A1 *	8/2013	Jones	.....	A41D 15/005 112/475.13
2015/0089716 A1 *	4/2015	Gonzales	.....	A41D 1/06 112/475.13
2018/0295911 A1 *	10/2018	Tupper	.....	A41D 27/20
2020/0375273 A1 *	12/2020	Otashevich	.....	A41D 1/088

**OTHER PUBLICATIONS**

ABC Relaxed—Fit Cropped Pant, reviewed 2021 [online], (retrieved May 4, 2022). Retrieved from the internet, [https://shop.lululemon.com/p/mens-trousers/ABC-Crop-Pant-Relaxed-Utilitech/\\_/prod10650002?color=43731](https://shop.lululemon.com/p/mens-trousers/ABC-Crop-Pant-Relaxed-Utilitech/_/prod10650002?color=43731) (Year: 2021).\*

Goodthreads Men's Skinny-Fit Washed Comfort Stretch Chino Pant, Jan. 20, 2019 [online], (retrieved May 4, 2022). Retrieved from the internet, [https://www.amazon.com/Goodthreads-Mens-Skinny-Fit-Washed-Chino/dp/B07JMN9RYJ/ref=sr\\_1\\_16?crid=THINQPL6H472&keywords=men+chino%E2%80%A6](https://www.amazon.com/Goodthreads-Mens-Skinny-Fit-Washed-Chino/dp/B07JMN9RYJ/ref=sr_1_16?crid=THINQPL6H472&keywords=men+chino%E2%80%A6) (Year: 2019).\*

(Continued)

*Primary Examiner* — Kevin K Rudzinski

*Assistant Examiner* — J. Thorn, Sr.

(74) *Attorney, Agent, or Firm* — Conneely PC; Joseph Conneely

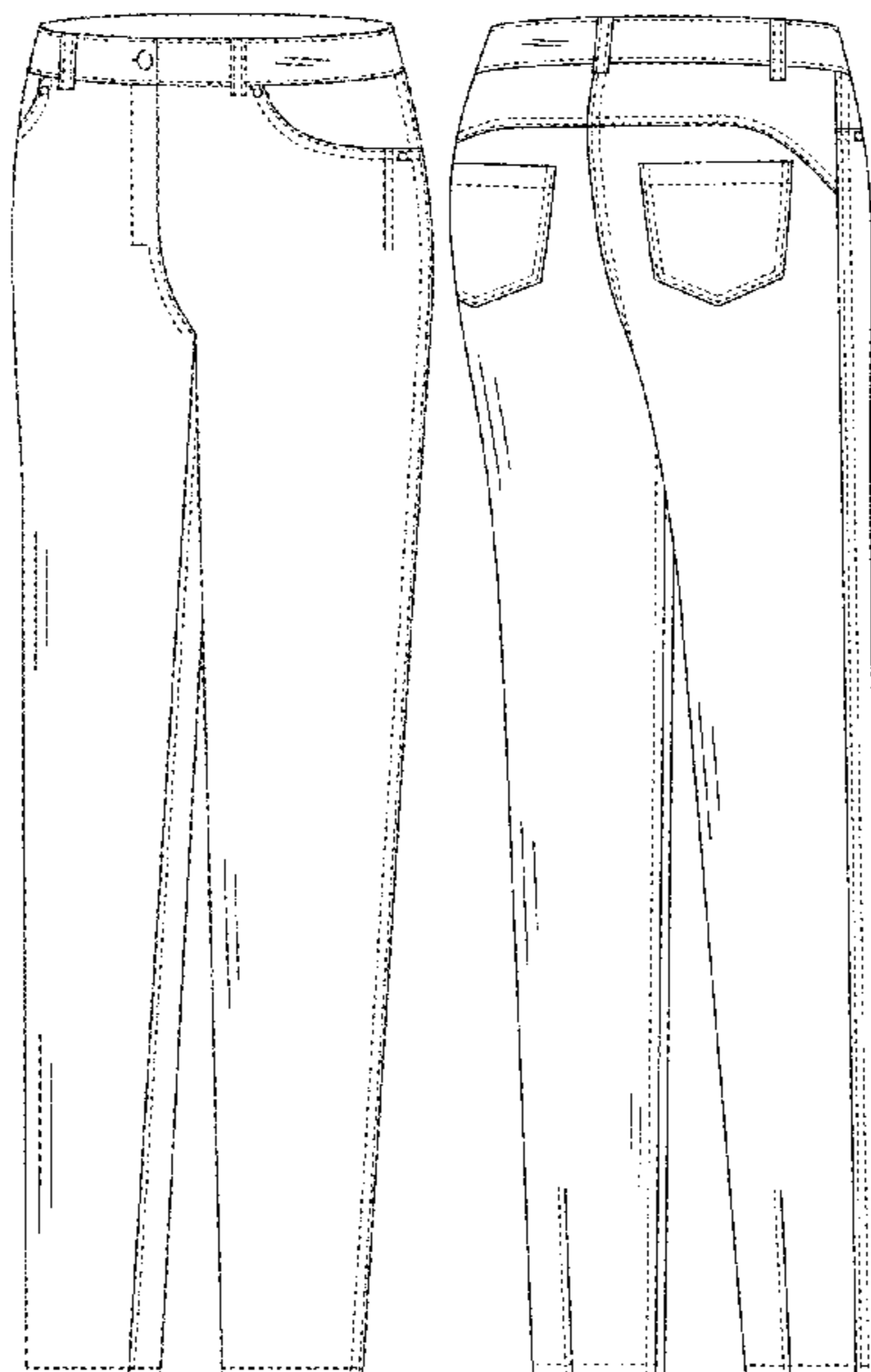
(57) **CLAIM**

The ornamental design for a garment, as shown and described.

**DESCRIPTION**

FIG. 1 is a front view of a garment according to the design; FIG. 2 is a rear view thereof; FIG. 3 is a right side view thereof; FIG. 4 is a left side view thereof; FIG. 5 is a front perspective view thereof; FIG. 6 is a rear perspective view thereof; FIG. 7 is a front view thereof shown in an environment of use; FIG. 8 is a rear view thereof shown in an environment of use; and, FIG. 9 is a left side view thereof with the hems of the legs of the garment shown in a rolled-up position. The portions of the garment shown in broken lines in FIGS. 1-9 do not form part of the claimed design. The broken line showing of the feet, arms, and torso in FIGS. 7 and 8 is for the purpose of illustrating portions of the environmental structure and forms no part of the claimed design.

**1 Claim, 9 Drawing Sheets**



(56)

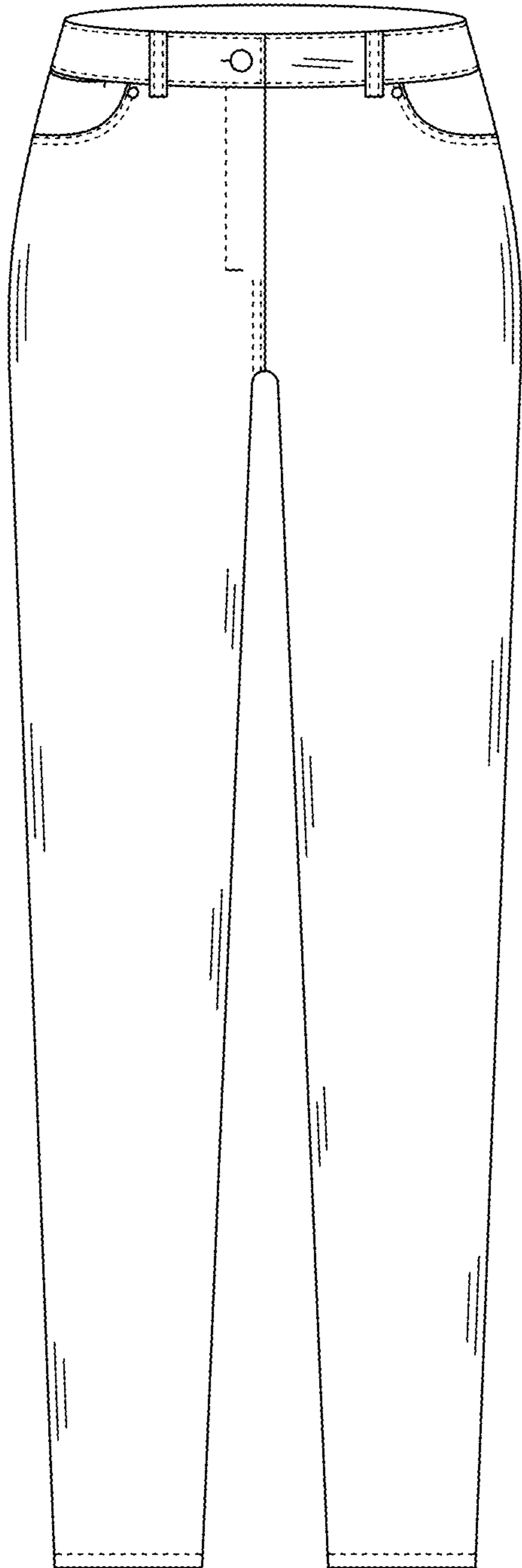
**References Cited**

OTHER PUBLICATIONS

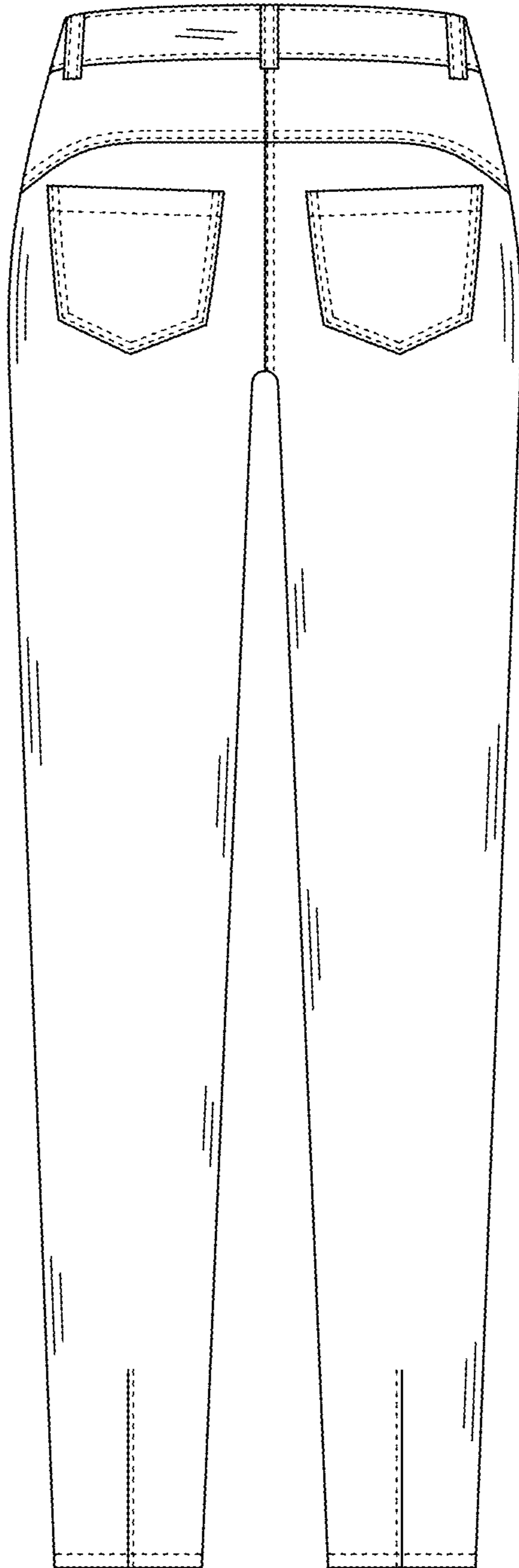
Rohan Jeans Plus make Levi's look dumb, published Mar. 14, 2014 [online], (retrieved May 4, 2022). Retrieved from the internet, <https://snarkynomad.com/rohan-jeans-plus-make-levis-look-dumb/> (Year: 2014).\*

Women's Lee® Relaxed Fit Straight-Leg Jeans, reviewed 2015 [online], (retrieved May 4, 2022). Retrieved from the internet, <https://www.kohls.com/product/prd-2263298/lee-relaxed-fit-straight-leg-jeans-womens.jsp> (Year: 2015).\*

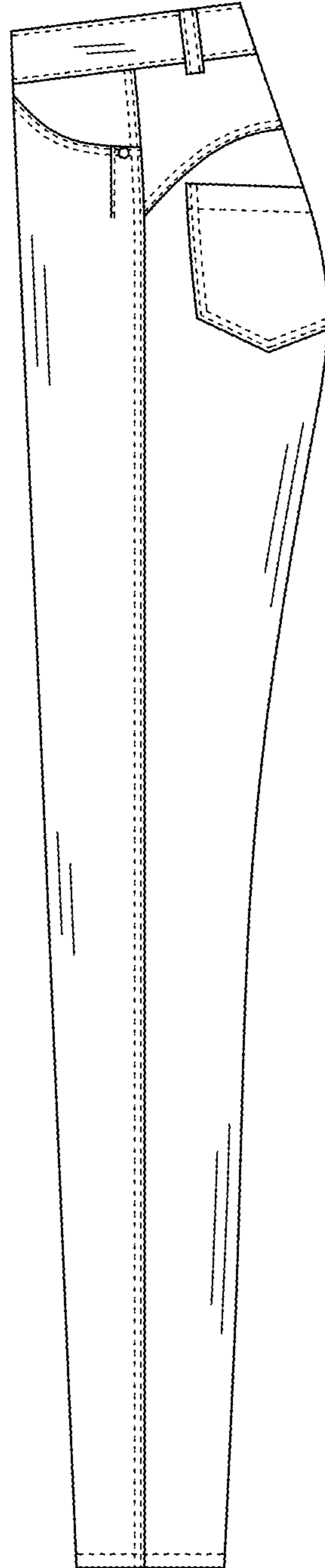
\* cited by examiner



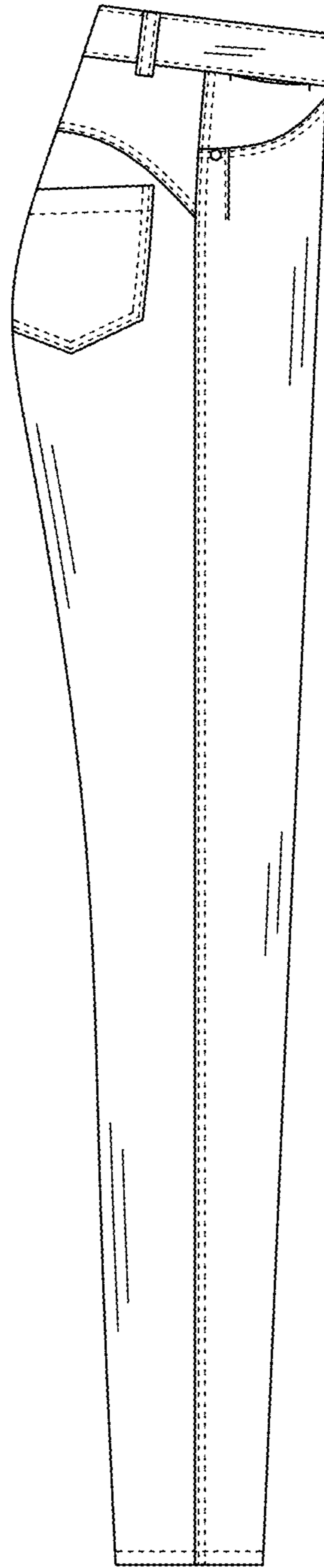
**FIG. 1**



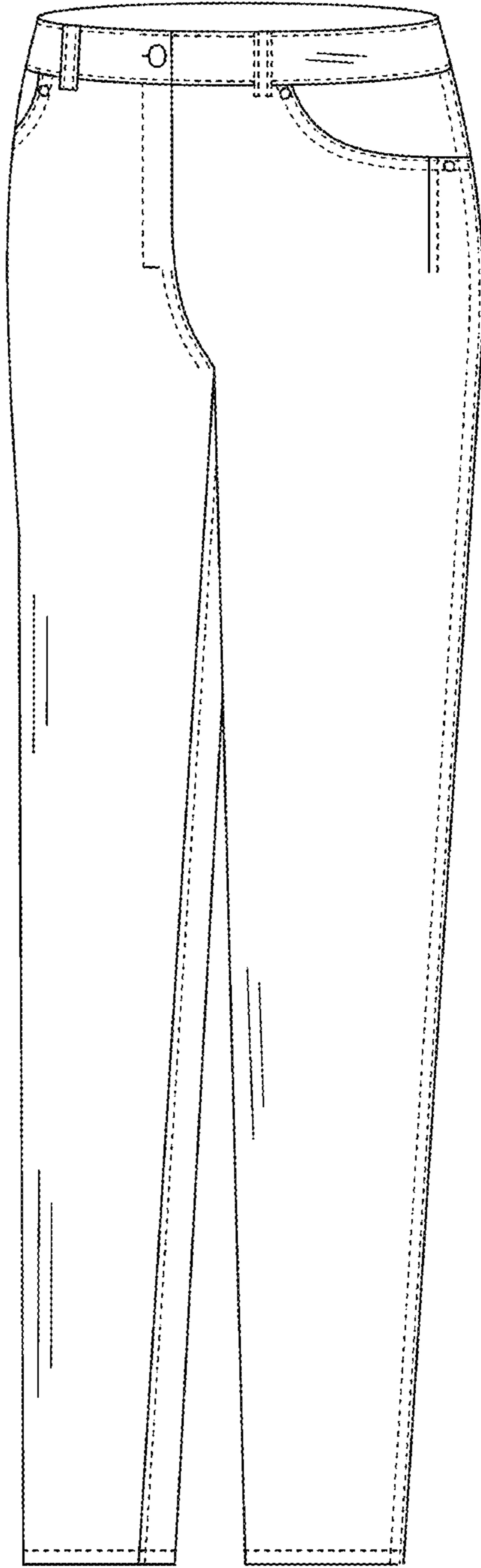
**FIG. 2**



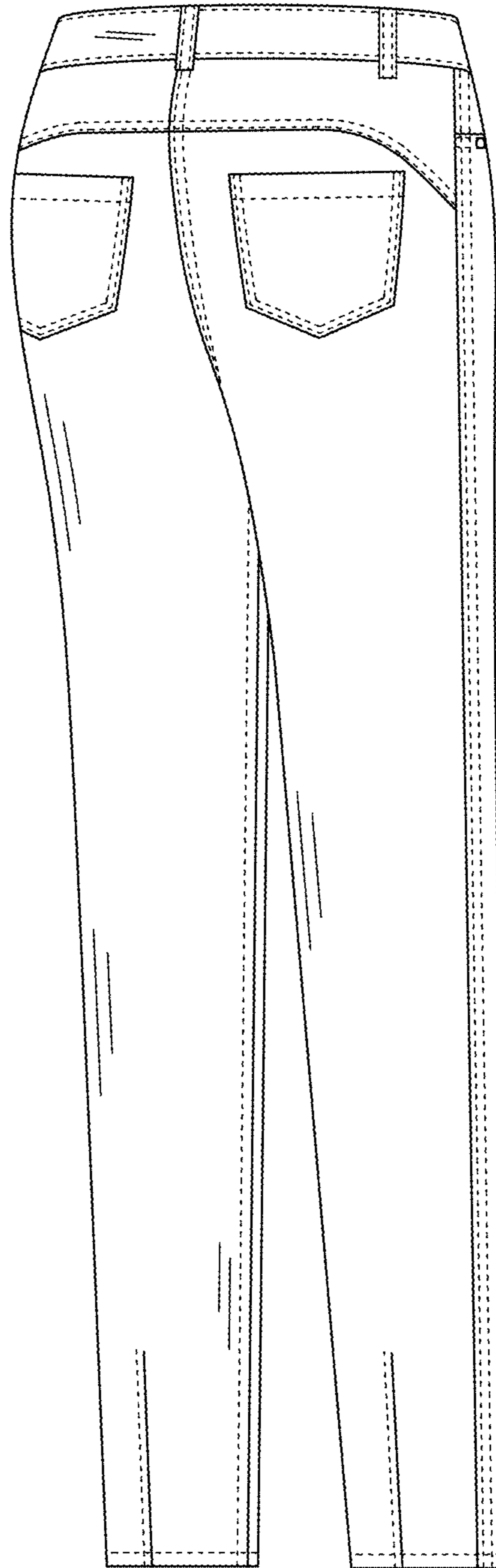
**FIG. 3**



**FIG. 4**

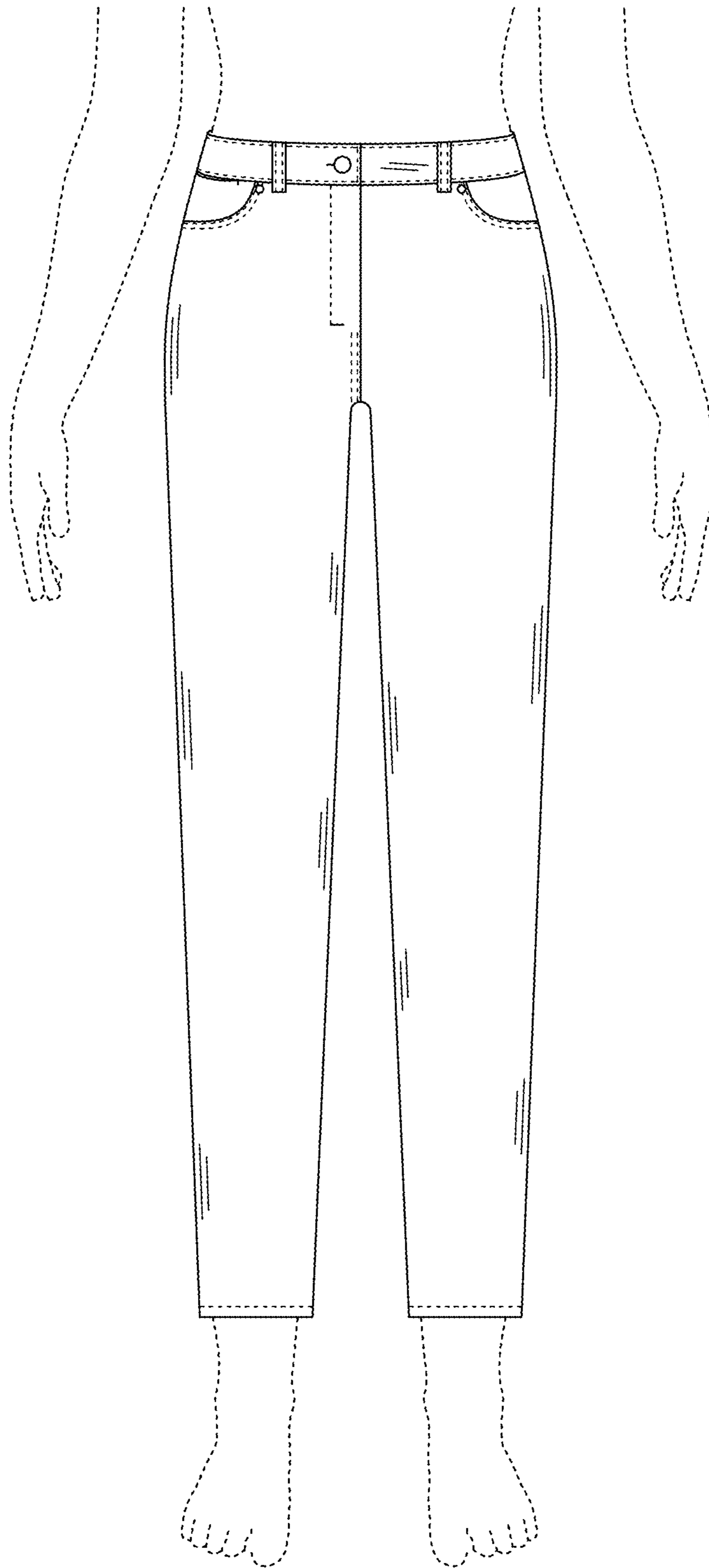


**FIG. 5**

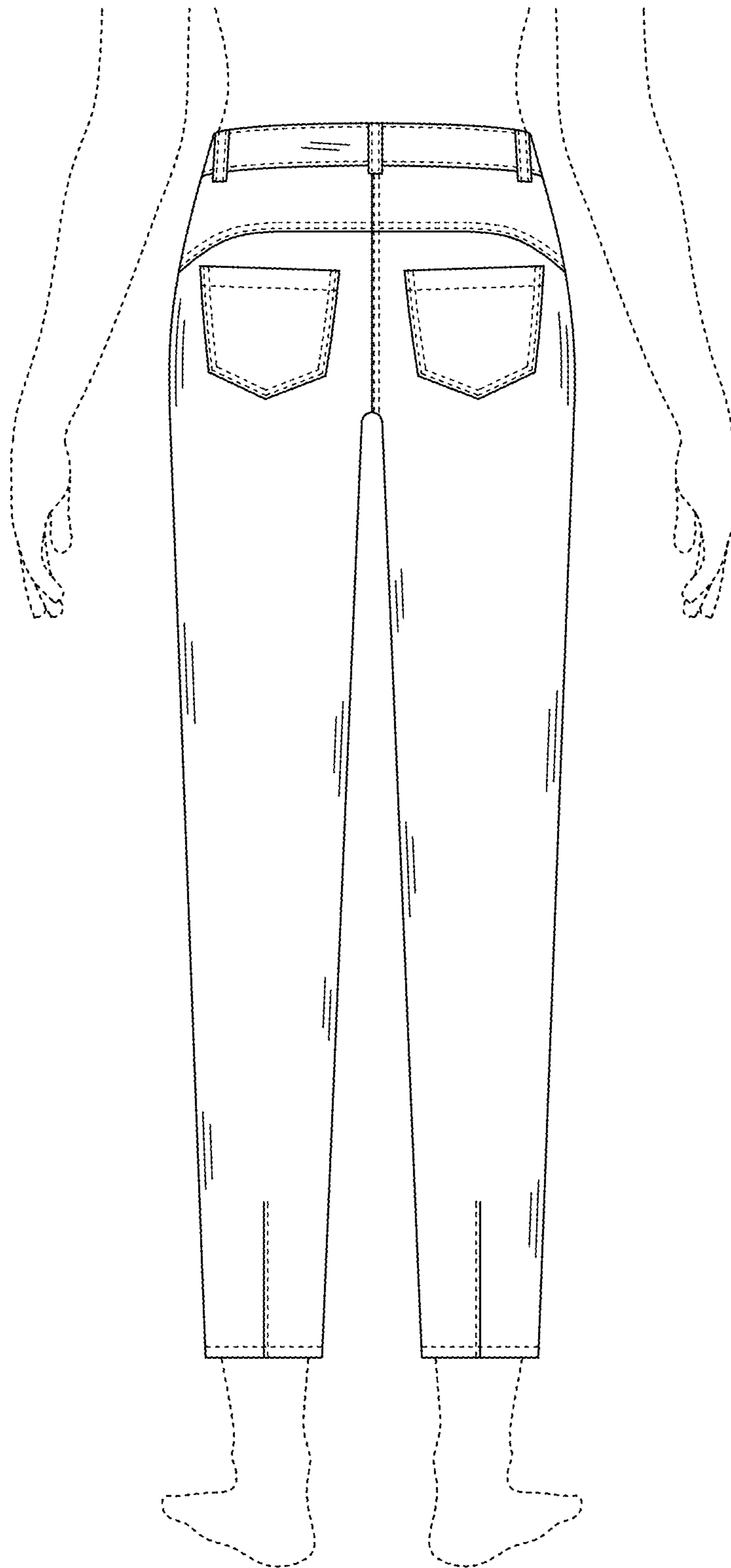


**FIG. 6**

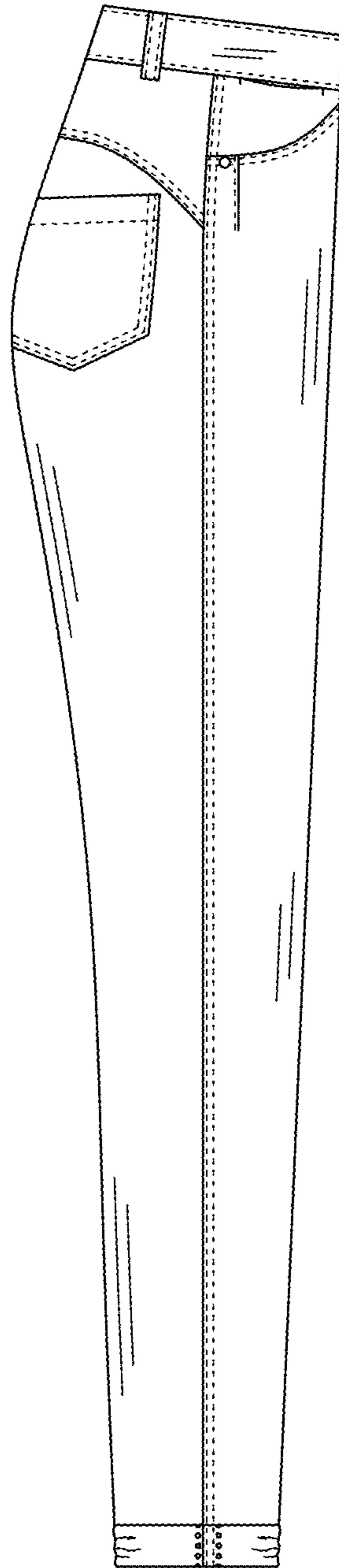




**FIG. 7**



**FIG. 8**



**FIG. 9**