



US00D963287S

(12) **United States Design Patent**
Potter et al.

(10) **Patent No.:** **US D963,287 S**
(45) **Date of Patent:** **** Sep. 13, 2022**

- (54) **TEXTURED ROLL PET TREAT**
- (71) Applicant: **Spectrum Brands, Inc.**, Middleton, WI (US)
- (72) Inventors: **Tiffany Dawn Potter**, Pearisburg, VA (US); **Allyse McCann**, Blacksburg, VA (US)
- (73) Assignee: **Spectrum Brands, Inc.**, Middleton, WI (US)
- (**) Term: **15 Years**
- (21) Appl. No.: **29/767,709**
- (22) Filed: **Jan. 25, 2021**
- (51) **LOC (13) Cl.** **01-01**
- (52) **U.S. Cl.**
USPC **D1/125**
- (58) **Field of Classification Search**
USPC D1/100–130, 199; 426/104, 115, 143, 426/144, 249, 274, 517, 518, 615, 805; D21/386; D25/119, 121; D30/160; D24/102, 103; D34/28, 29
CPC . A23G 9/503; A23G 9/48; B26D 3/26; B26D 3/11; A23L 1/217
See application file for complete search history.

- (56) **References Cited**
U.S. PATENT DOCUMENTS
3,315,640 A 4/1967 Gamble
4,913,350 A * 4/1990 Purzycki A61L 9/127 239/44
D308,122 S 5/1990 Markham et al.
(Continued)

Primary Examiner — Katie Jane Stofko

(74) *Attorney, Agent, or Firm* — Mer chant & Gould P.C.

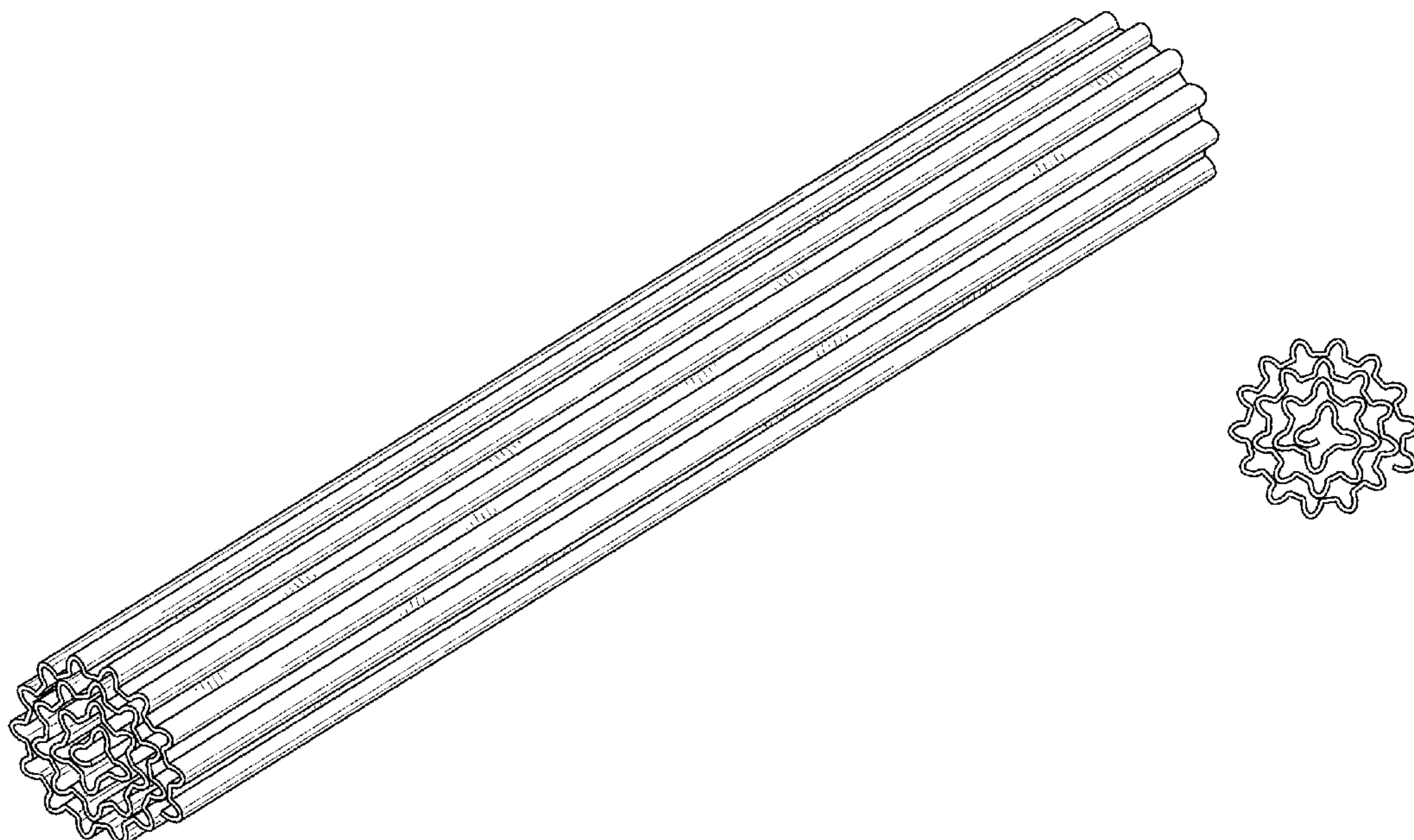
(57) **CLAIM**
The ornamental design for a textured roll pet treat, as shown and described.

DESCRIPTION

FIG. 1 is bottom, back perspective view of a first embodiment of a textured roll pet treat according to the new design; FIG. 2 is a back elevation view of the embodiment of FIG. 1; FIG. 3 is a front elevation view of the embodiment of FIG. 1; FIG. 4 is a left side elevation view of the embodiment of FIG. 1; FIG. 5 is a right side elevation view of the embodiment of FIG. 1; FIG. 6 is a bottom plan view of the embodiment of FIG. 1; FIG. 7 is a top plan view of the embodiment of FIG. 1; FIG. 8 is a top, front perspective view of the embodiment of FIG. 1; FIG. 9 is a bottom, back perspective view of a second embodiment of a textured roll pet treat according to the new design; FIG. 10 is a back elevation view of the embodiment of FIG. 9; FIG. 11 is a front elevation view of the embodiment of FIG. 9; FIG. 12 is a left side elevation view of the embodiment of FIG. 9; FIG. 13 is a right side elevation view of the embodiment of FIG. 9; FIG. 14 is a bottom plan view of the embodiment of FIG. 9; FIG. 15 is a top plan view of the embodiment of FIG. 9; and, FIG. 16 is a top, front perspective view of the embodiment of FIG. 9.

The break lines shown in the middle portion of the textured roll pet treat in FIGS. 9 and 12-16 indicate that the appearance of any portion of the article between the break lines forms no part of the claimed design.

1 Claim, 10 Drawing Sheets



(56)

References Cited

U.S. PATENT DOCUMENTS

D333,937	S	3/1993	Prosser	
D344,161	S	2/1994	Markham	
D347,248	S	5/1994	Franzman	
D349,786	S	8/1994	Markham	
D368,339	S	3/1996	O'Rourke et al.	
D380,886	S *	7/1997	Hauser	D1/126
D381,185	S *	7/1997	Hauser	D1/126
D401,385	S	11/1998	Mintz	
D417,319	S	11/1999	Weiss, Jr.	
D445,322	S *	7/2001	Hames	D8/40
D476,118	S	6/2003	Kirch	
D563,610	S	3/2008	Leo	
D594,539	S *	6/2009	Lu	D23/366
D597,264	S	7/2009	Hsieh	
D609,477	S *	2/2010	Leppert	D13/153
D645,511	S *	9/2011	Freeman	D19/67
D666,705	S *	9/2012	Andersen	D23/366
D692,994	S *	11/2013	Fujimura	D23/365
D771,898	S *	11/2016	Albuja	D1/126
D821,691	S *	7/2018	Tupin	D1/126
D835,383	S	12/2018	Petersen	
D863,718	S	10/2019	Albuja Cuadrado et al.	
D878,618	S *	3/2020	Kafker	D24/211
D884,280	S *	5/2020	Pellereau	D28/73
2013/0266712	A1	10/2013	Shrestha et al.	

* cited by examiner

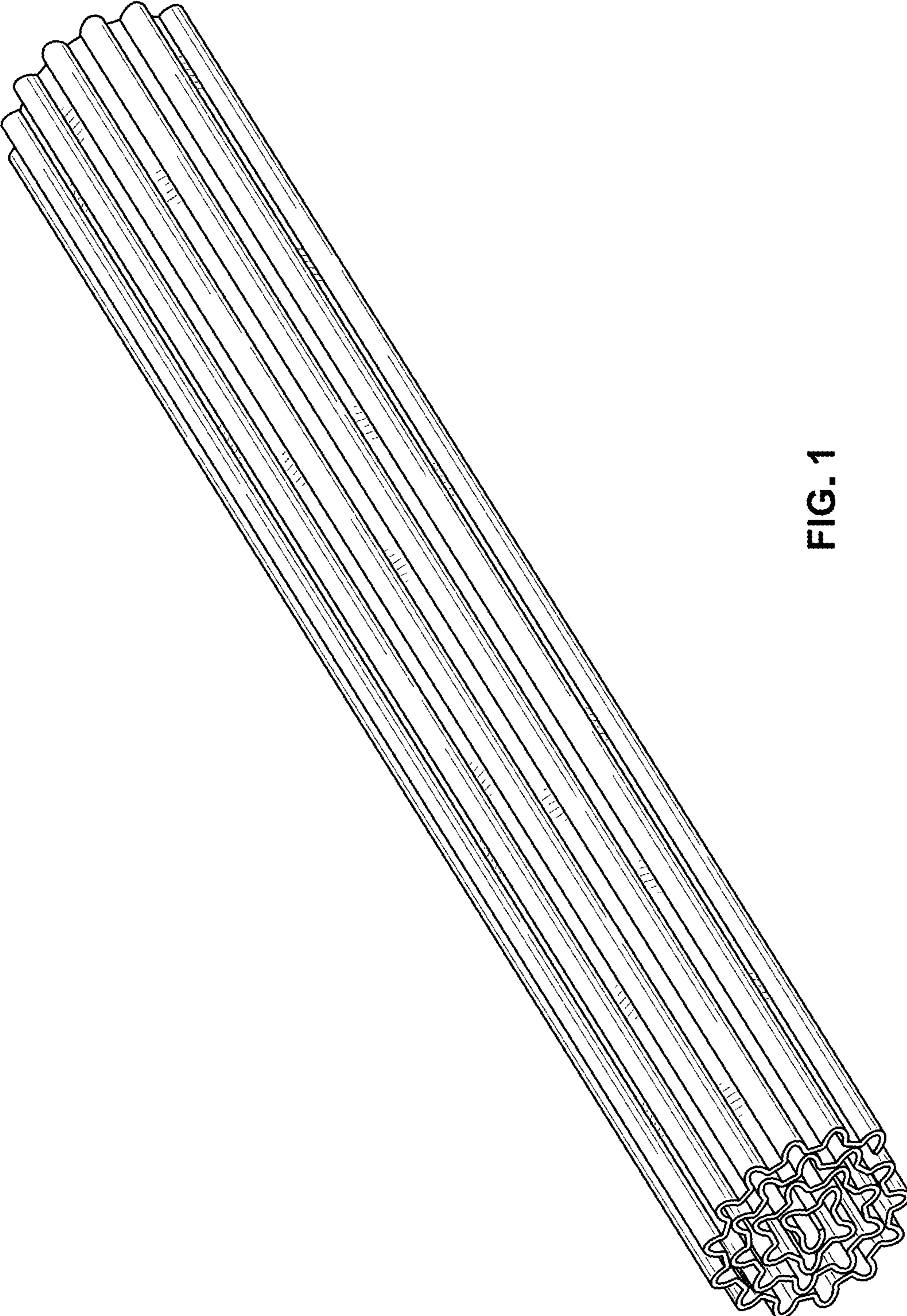


FIG. 1

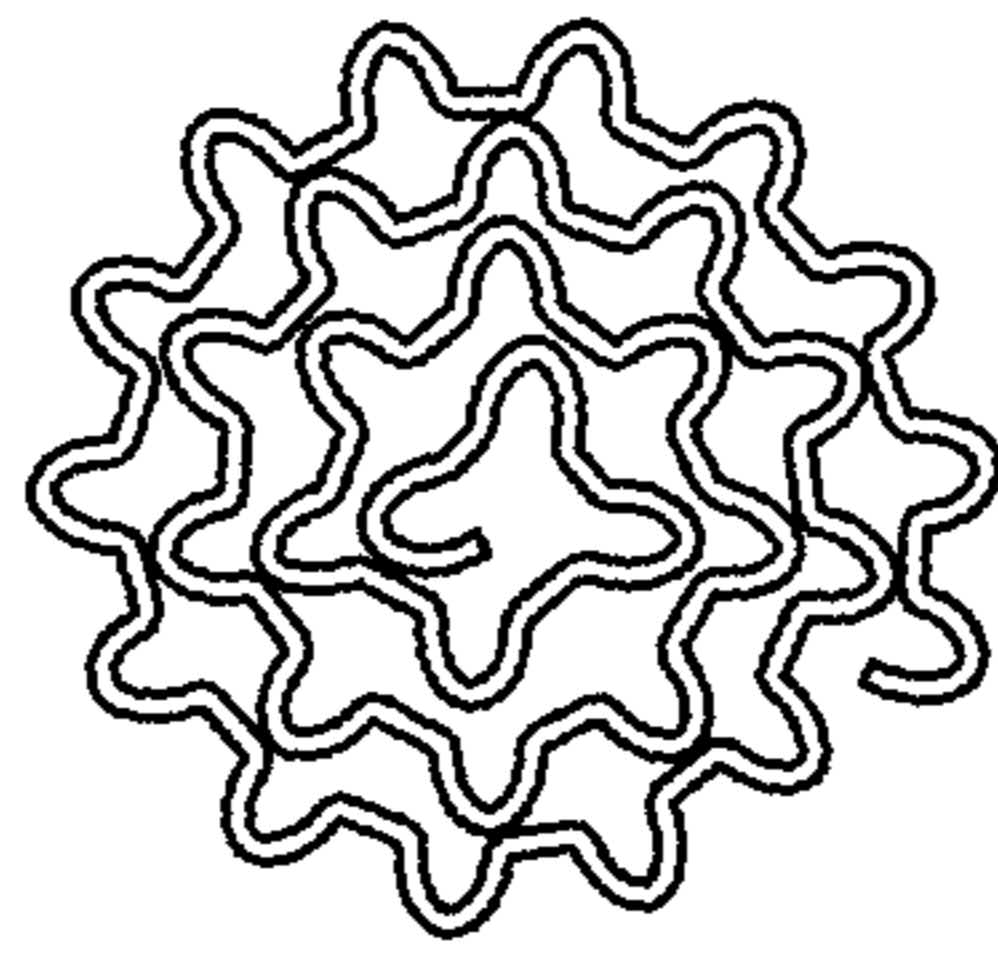


FIG. 2

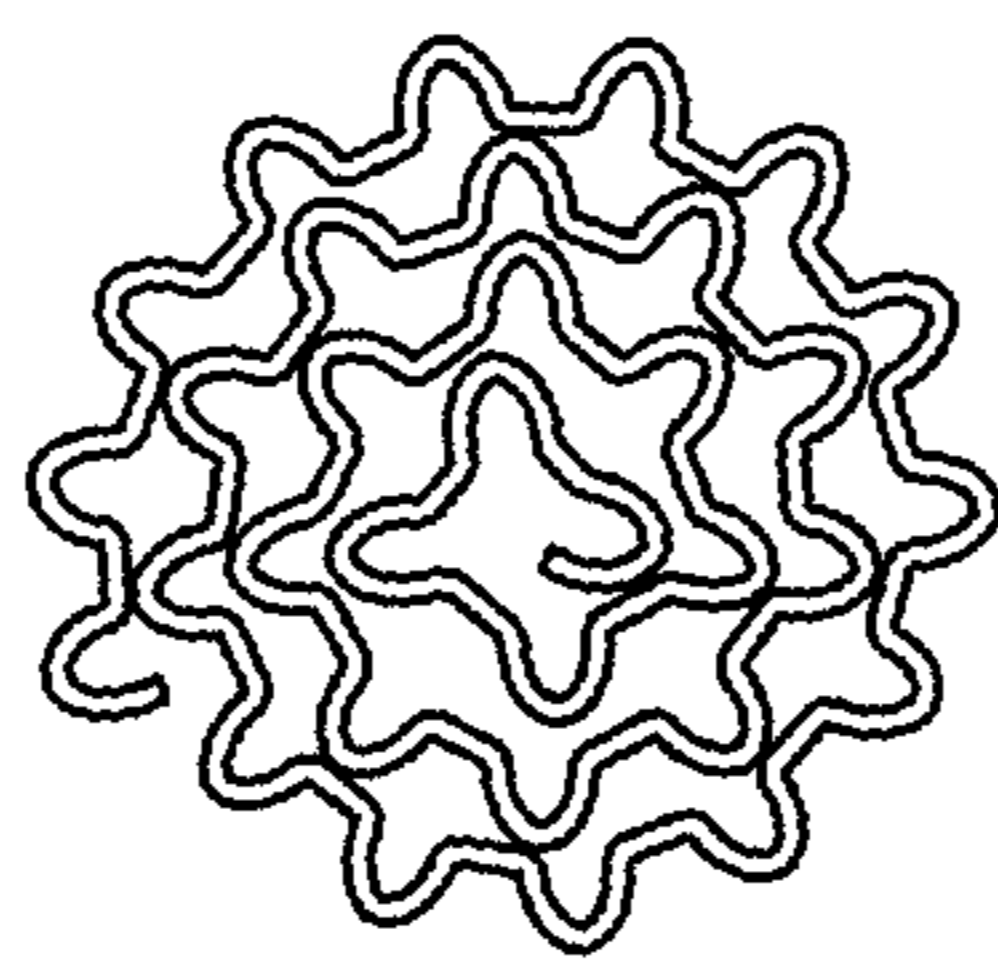


FIG. 3

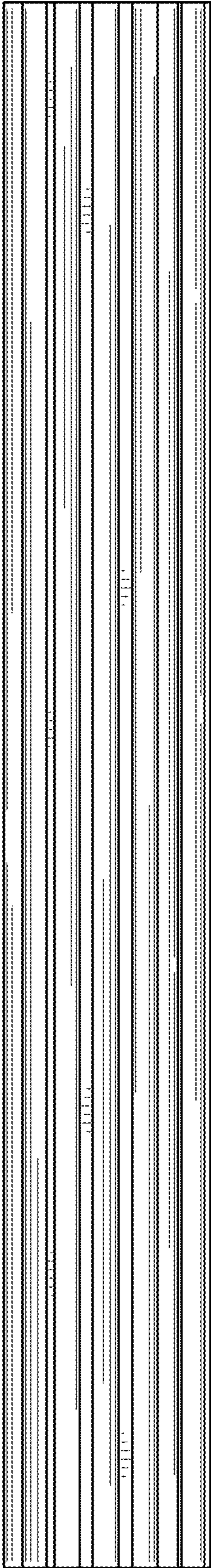


FIG. 4

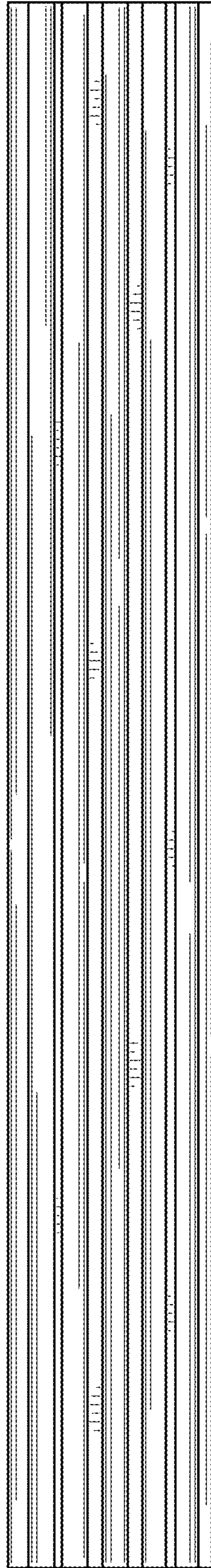


FIG. 5

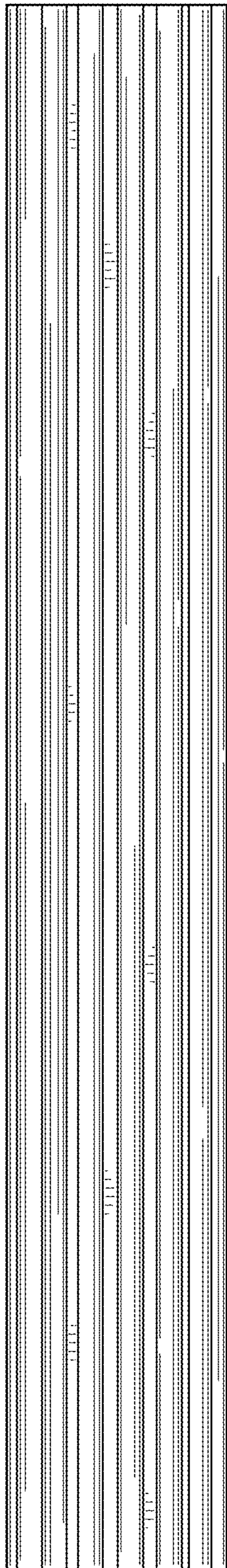


FIG. 6

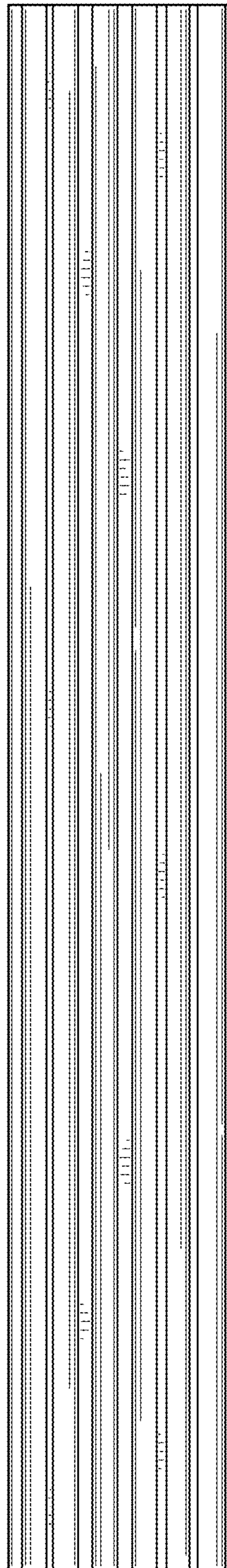


FIG. 7

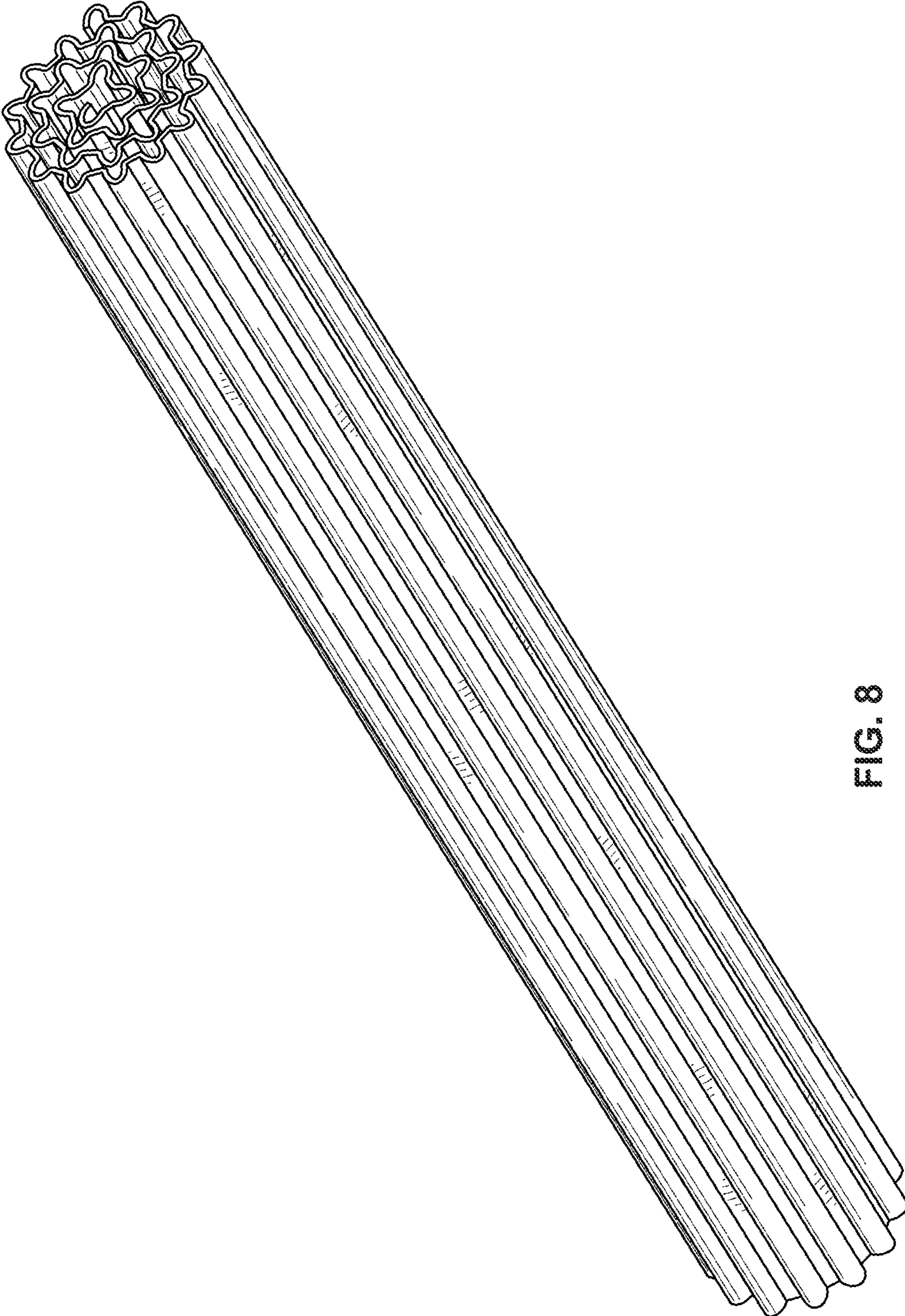


FIG. 8

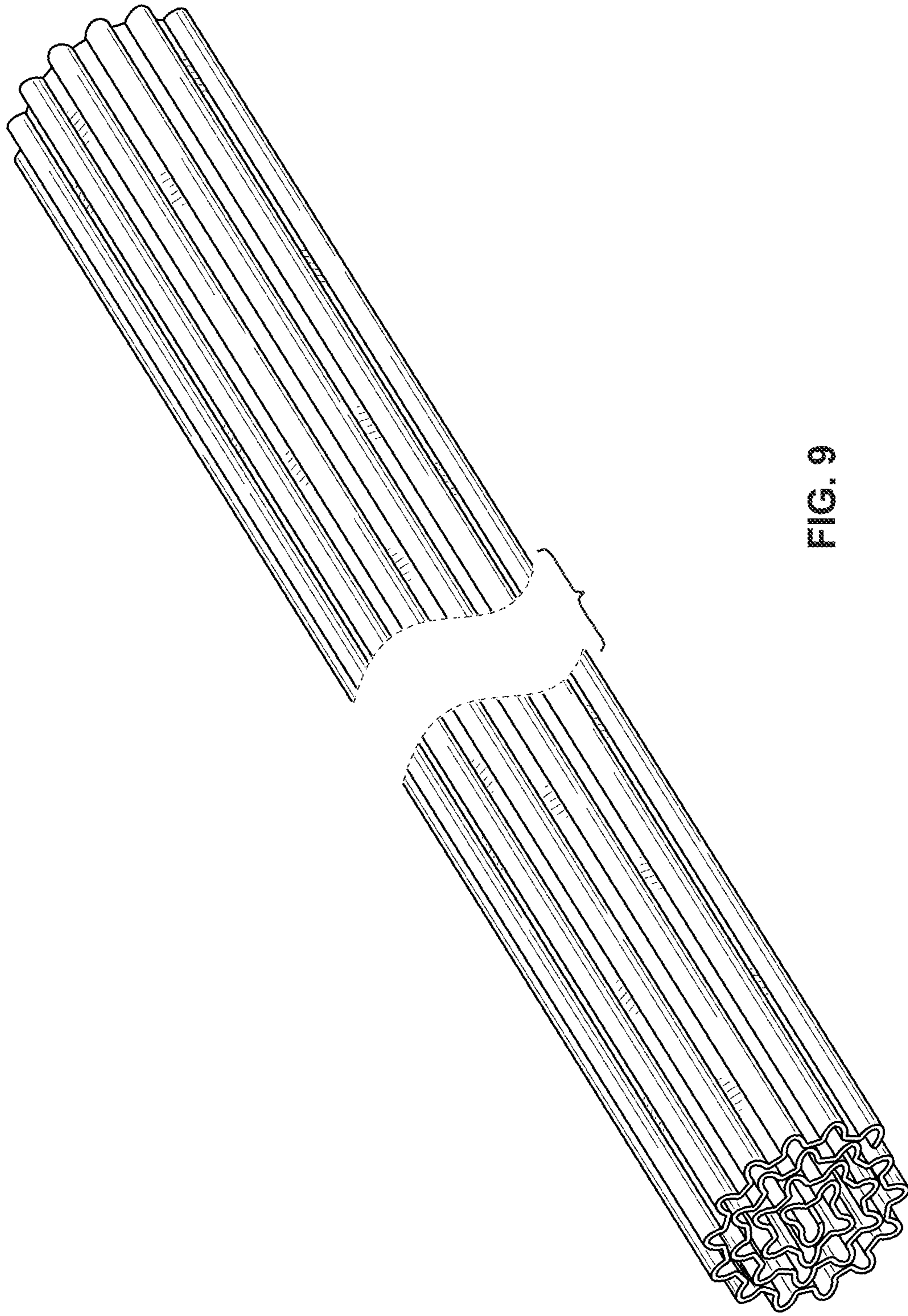


FIG. 9

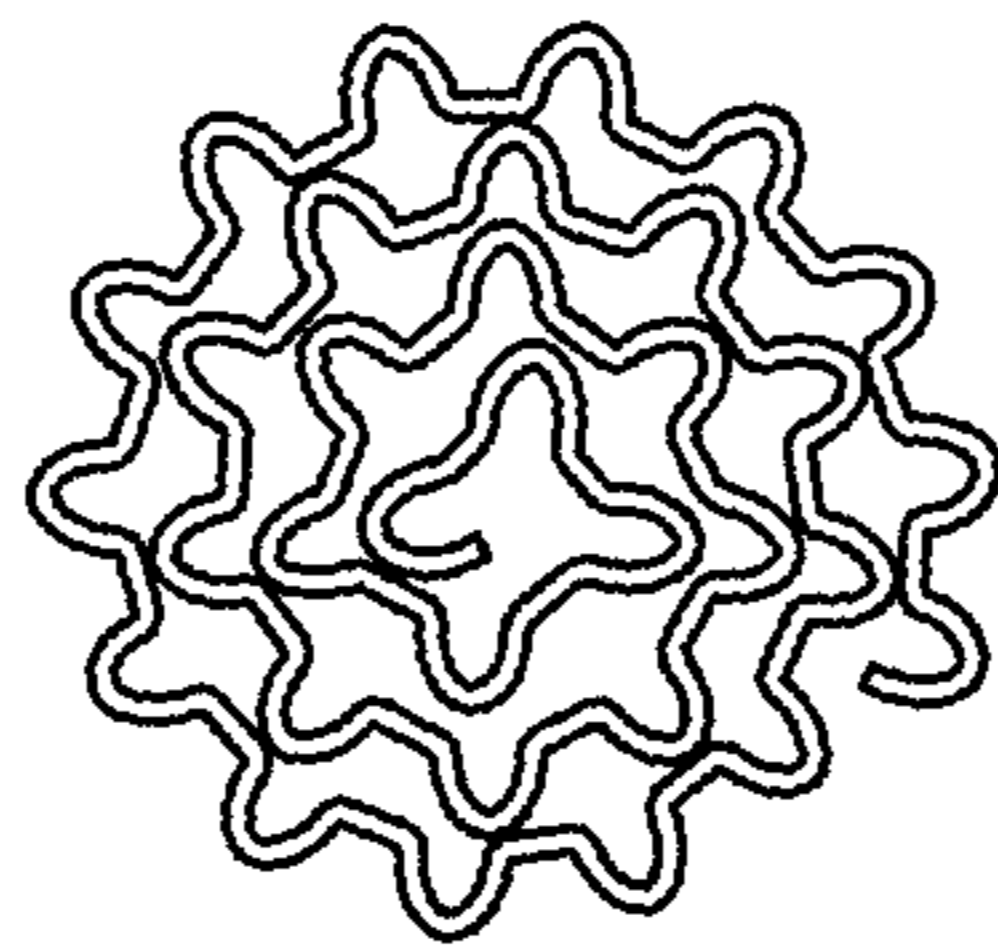


FIG. 10

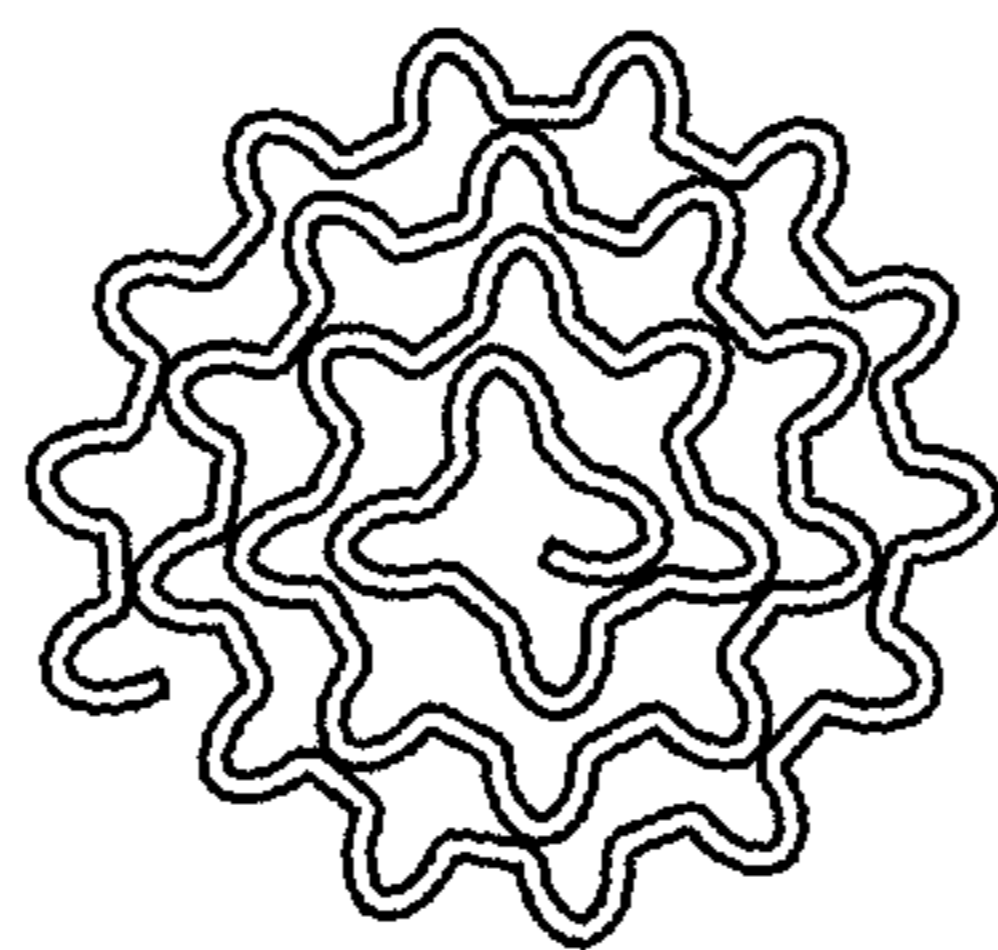


FIG. 11

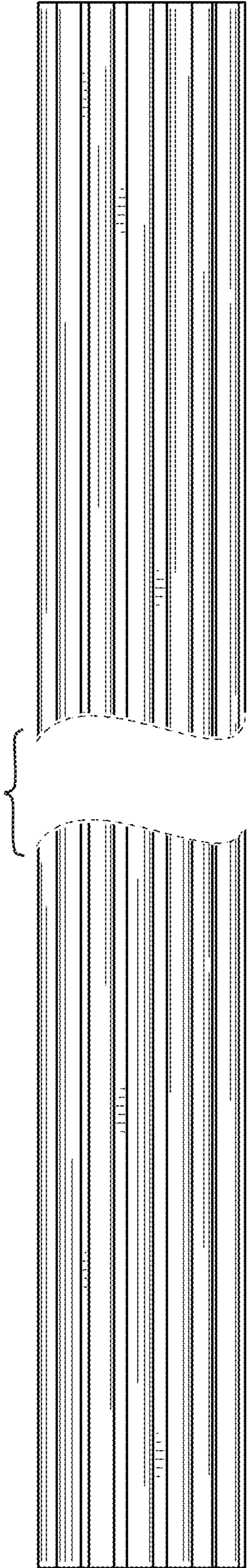


FIG. 12

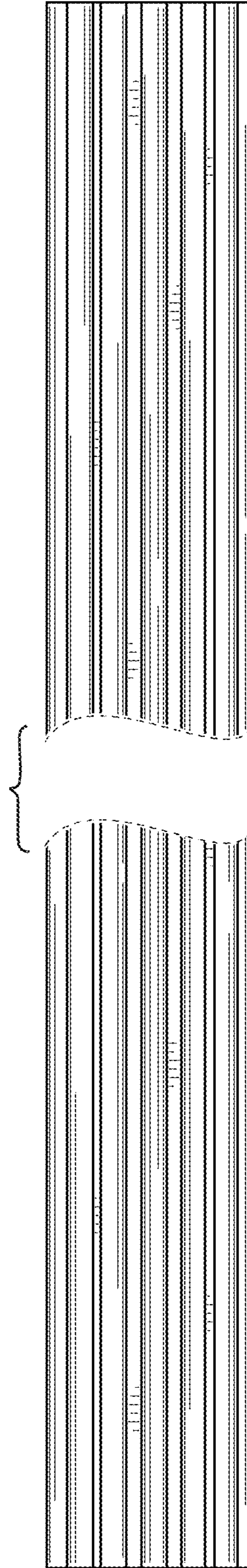


FIG. 13

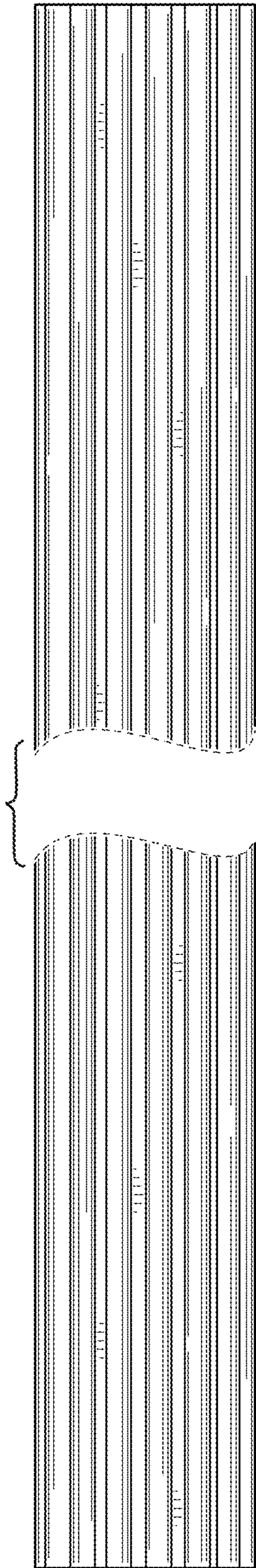


FIG. 14

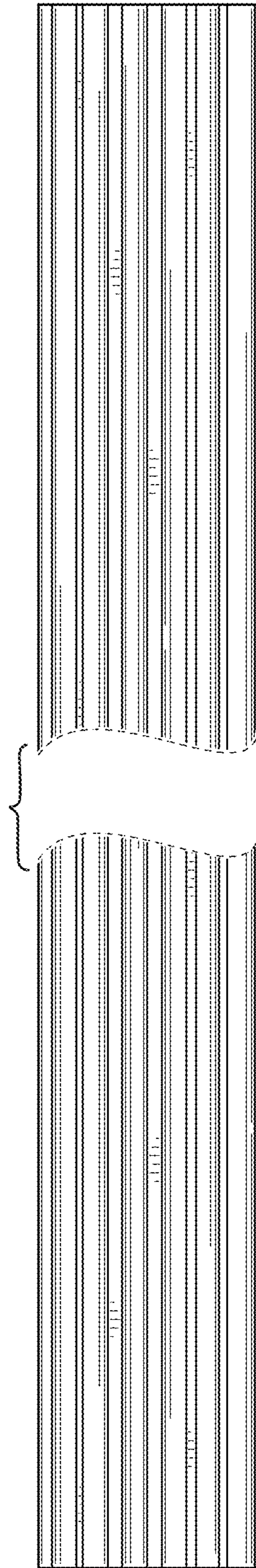


FIG. 15

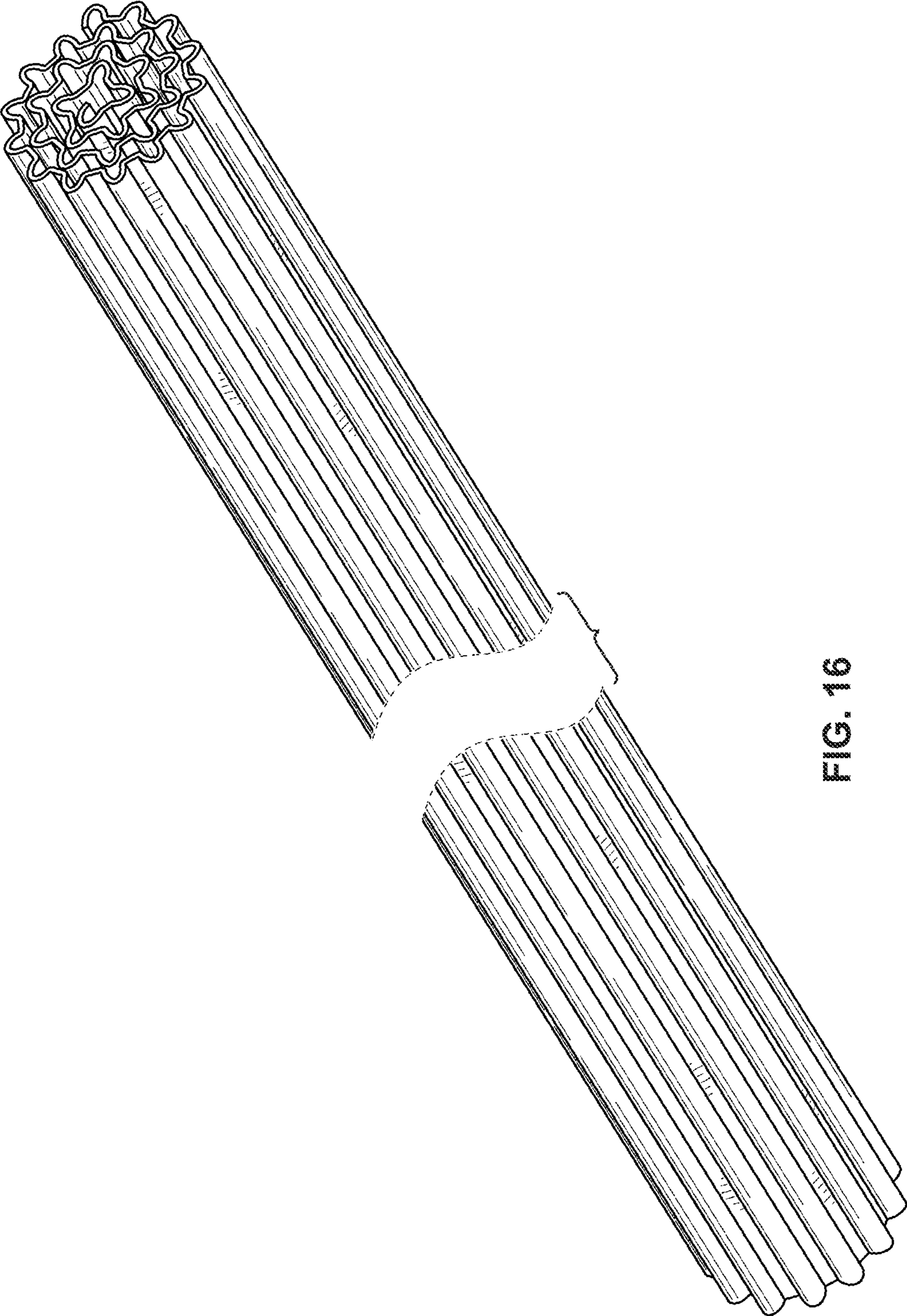


FIG. 16