



US00D963284S

(12) **United States Design Patent** (10) **Patent No.:** **US D963,284 S**
Lee et al. (45) **Date of Patent:** **** Sep. 6, 2022**

(54) **AUTOMATED TELLER MACHINE**

(56) **References Cited**

(71) Applicant: **HYOSUNG TNS INC.**, Seoul (KR)

U.S. PATENT DOCUMENTS

(72) Inventors: **Hee Youn Lee**, Gyeonggi-do (KR); **Jae Min Cha**, Gyeonggi-do (KR); **Jae Min Park**, Gyeonggi-do (KR)

D377,784 S * 2/1997 Wilson D10/93
D378,082 S * 2/1997 Wilson D10/93
D395,129 S * 6/1998 Johnson D14/130
D402,782 S * 12/1998 Johnson D99/28
D415,330 S * 10/1999 King D14/900
7,191,948 B1 * 3/2007 Baitz A63F 3/064
235/435
D605,191 S * 12/2009 Kuroda D14/307
D626,544 S * 11/2010 Bleck D14/307
D626,545 S * 11/2010 Bleck D14/307

(73) Assignee: **HYOSUNG TNS INC.**, Seoul (KR)

(**) Term: **15 Years**

(21) Appl. No.: **29/737,248**

(Continued)

(22) Filed: **Jun. 8, 2020**

(30) **Foreign Application Priority Data**

OTHER PUBLICATIONS

Dec. 27, 2019 (KR) 30-2019-0063257

Keefe Group, Kiosks—Booking, Lobby and Pod, <https://keefegroup.com/products/kiosks-133>, copyright 2013 (Year: 2013).*

(51) **LOC (13) Cl.** **99-00**

(Continued)

(52) **U.S. Cl.**
USPC **D99/28**

Primary Examiner — Elizabeth J Oswecki

(58) **Field of Classification Search**
USPC D99/28, 34, 35, 36, 43, 99;
D14/300–302, 305, 307, 900–902;
D18/3.1–3.3, 4.1–4.6, 12.1–12.3;
D21/324, 325, 329, 369, 370; 101/66;
109/1 R, 1 V, 2, 23, 24.1, 25, 58, 58.5,
109/66; 446/8–13; 705/16, 17, 18, 42,
705/43, 44, 45; 235/51, 379, 380, 381,
235/382, 382.5, 386; 206/8, 81, 815, 82,
206/84

(74) *Attorney, Agent, or Firm* — Bacon & Thomas, PLLC

(57) **CLAIM**

The ornamental design for an automated teller machine, as shown and described.

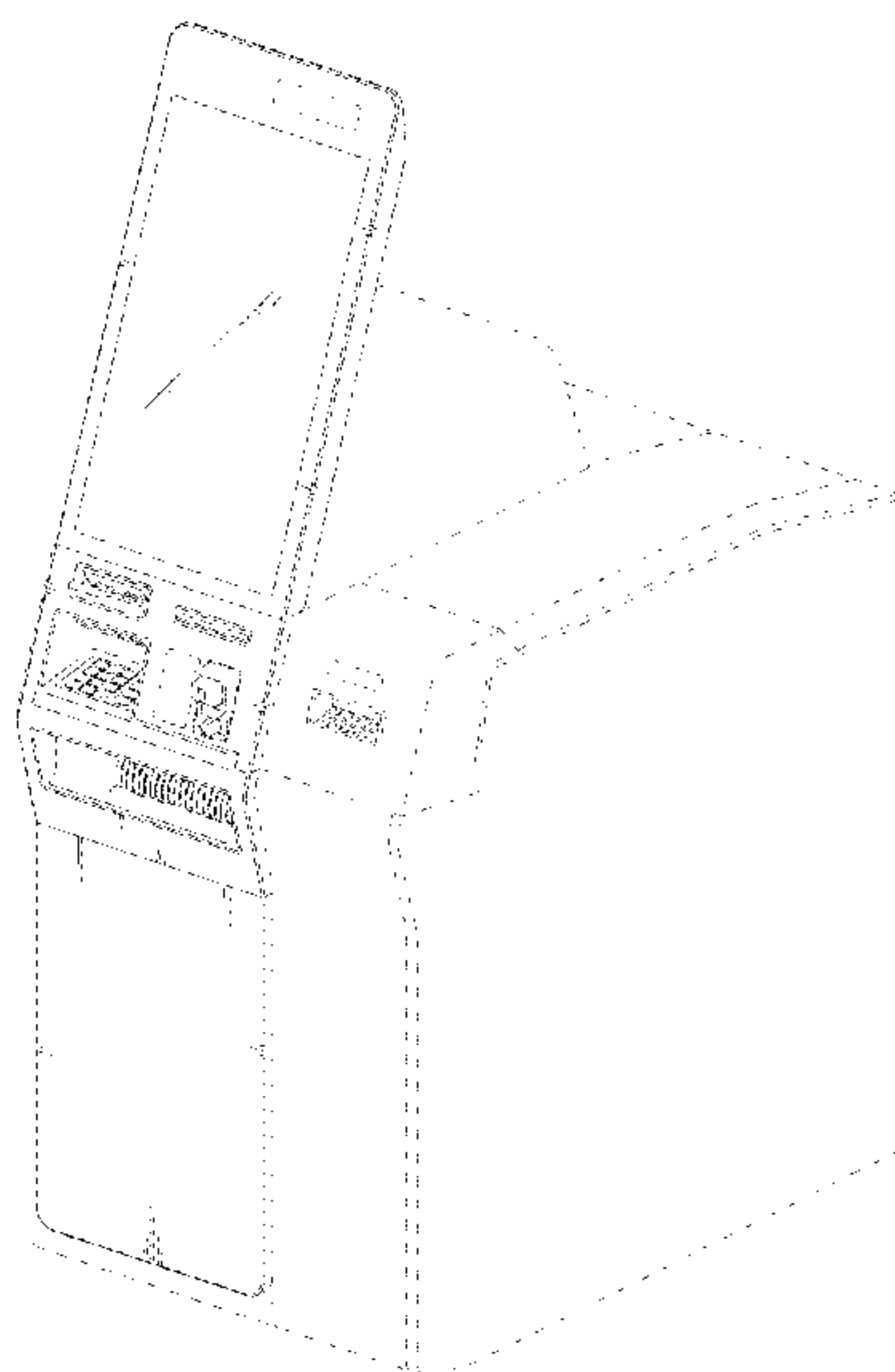
CPC .. G06Q 20/10; G06Q 20/108; G06Q 20/1085;
G06Q 20/18; G07D 1/00; G07D 1/02;
G07D 1/04; G07D 1/06; G07D 11/00;
G07D 9/002; G07D 9/04; G07F 19/20;
G07F 19/201; G07F 19/202; G07F
19/203; G07F 19/204; G07F 19/105;
G07F 19/21; G07F 19/00; G07F 7/04;
G07F 5/00; G07F 1/00; E05G 7/001;
E05G 1/006; A63H 33/00; A63H 33/005

DESCRIPTION

FIG. 1 is a front, top perspective view of an automated teller machine, showing our new design;
FIG. 2 is a front elevation view thereof;
FIG. 3 is a rear elevation view thereof;
FIG. 4 is a left side elevation view thereof;
FIG. 5 is a right side elevation view thereof;
FIG. 6 is a top plan view thereof; and,
FIG. 7 is a bottom plan view thereof.
The broken lines represent unclaimed subject matter and form no part of the claimed design.

See application file for complete search history.

1 Claim, 7 Drawing Sheets



(56)

References Cited

U.S. PATENT DOCUMENTS

8,365,868 B2 * 2/2013 Johnson G06Q 20/204
186/52
D678,652 S * 3/2013 Budde D99/28
D679,885 S * 4/2013 Pollmann D99/28
D707,012 S * 6/2014 Swaine D99/28
D732,263 S * 6/2015 Budde D99/28
D756,064 S * 5/2016 Budde D99/28
D757,389 S * 5/2016 Lee D99/28
D769,569 S * 10/2016 Kennedy D99/28
D779,148 S * 2/2017 Lee D99/28
D779,770 S * 2/2017 Park D99/28
D782,147 S * 3/2017 Lee D99/28
D803,507 S * 11/2017 Park D99/28
D825,134 S * 8/2018 Birnie D99/28
D832,553 S * 10/2018 Angelopoulos D99/28
D839,529 S * 1/2019 Nelson D99/28
D880,100 S * 3/2020 Nelson D99/28
D880,101 S * 3/2020 Nelson D99/28
D883,605 S * 5/2020 Lee D99/28
D885,705 S * 5/2020 Pieratt D99/28
D924,534 S * 7/2021 Lee D99/28

OTHER PUBLICATIONS

Patient Self Service Health Care Kiosk,<https://www.indiamart.com/proddetail/patient-self-service-health-care-kiosk-19835184512.html>,2021. (Year: 2021).*

* cited by examiner

Fig 1

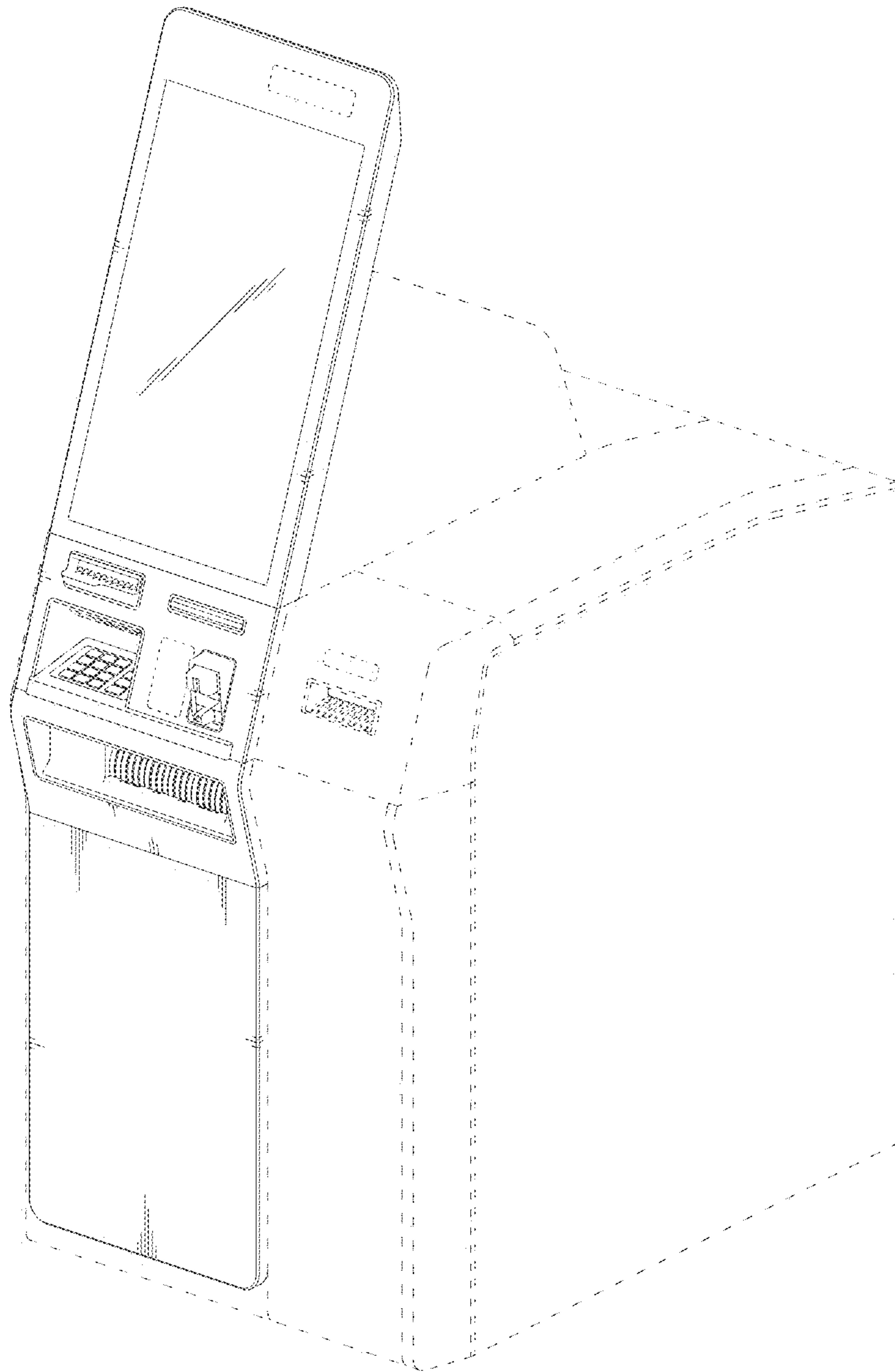


Fig 2

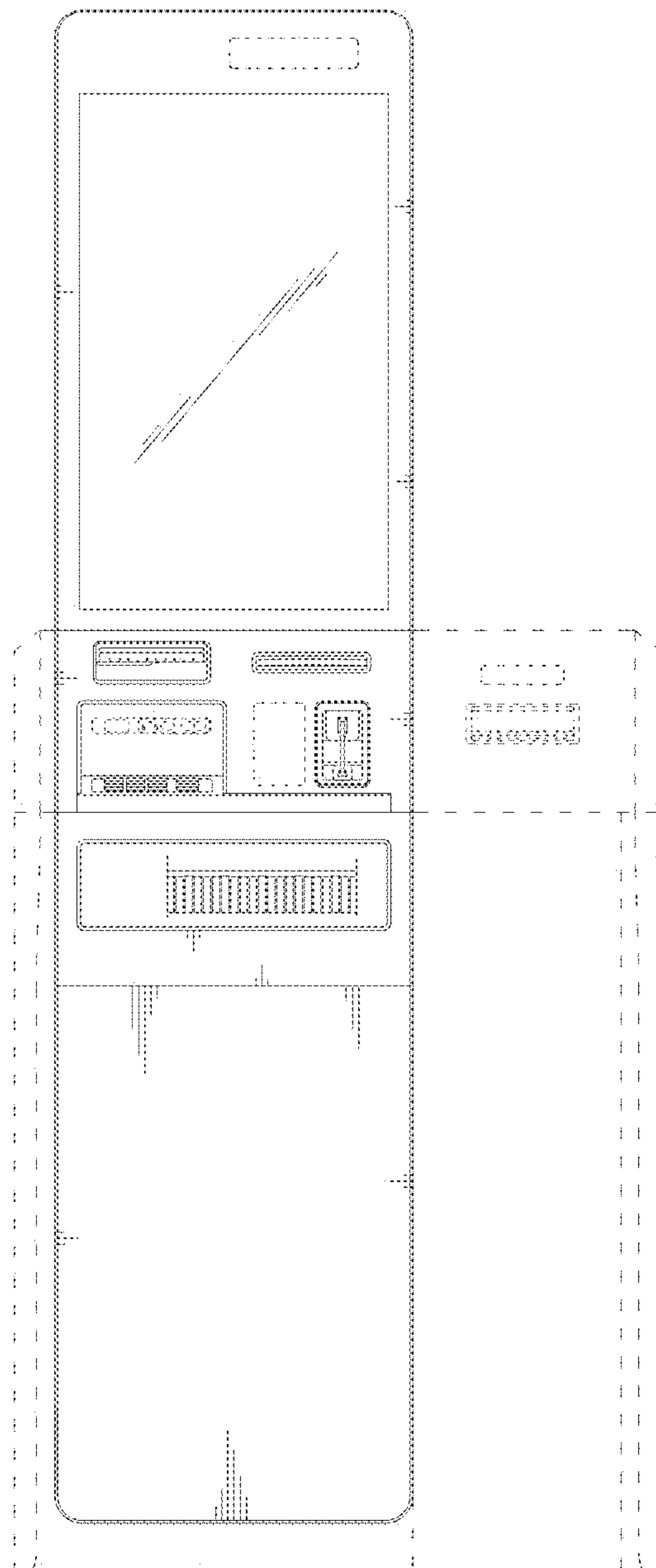


Fig 3

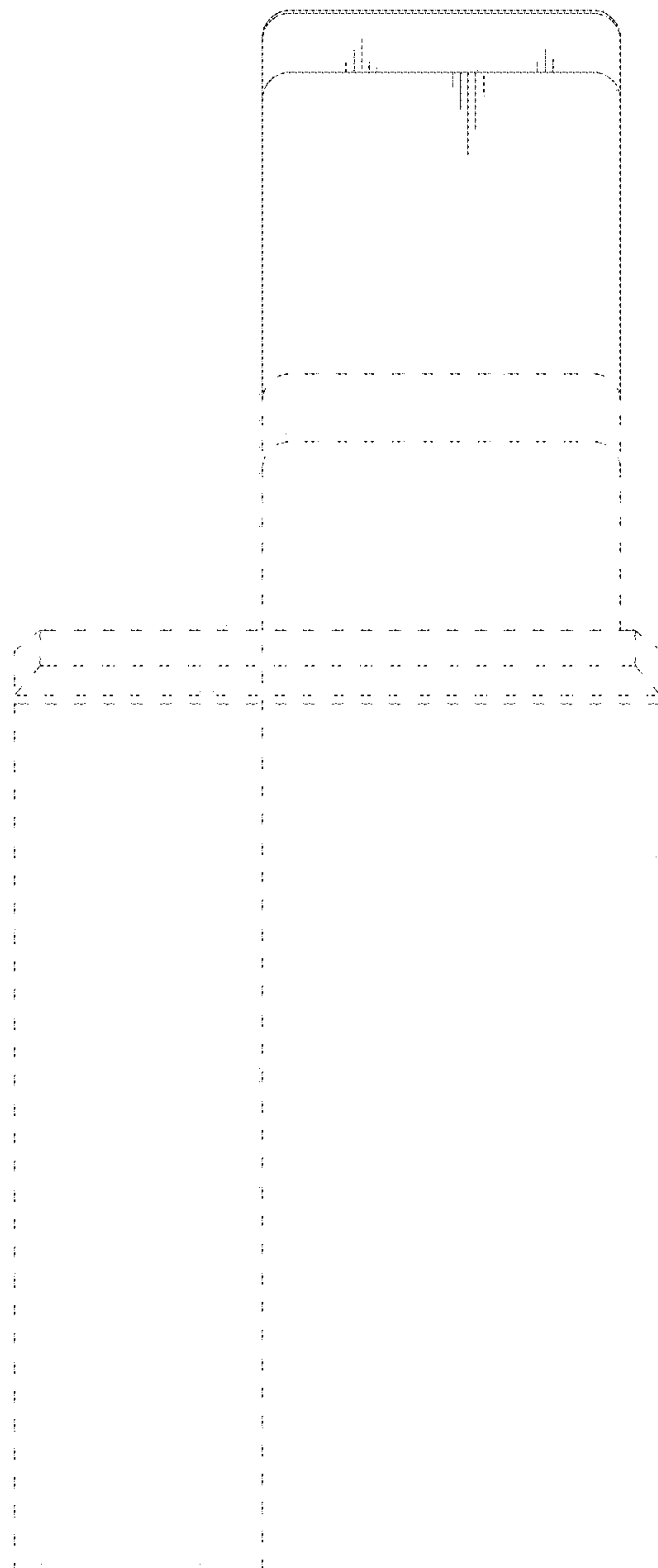


Fig 4

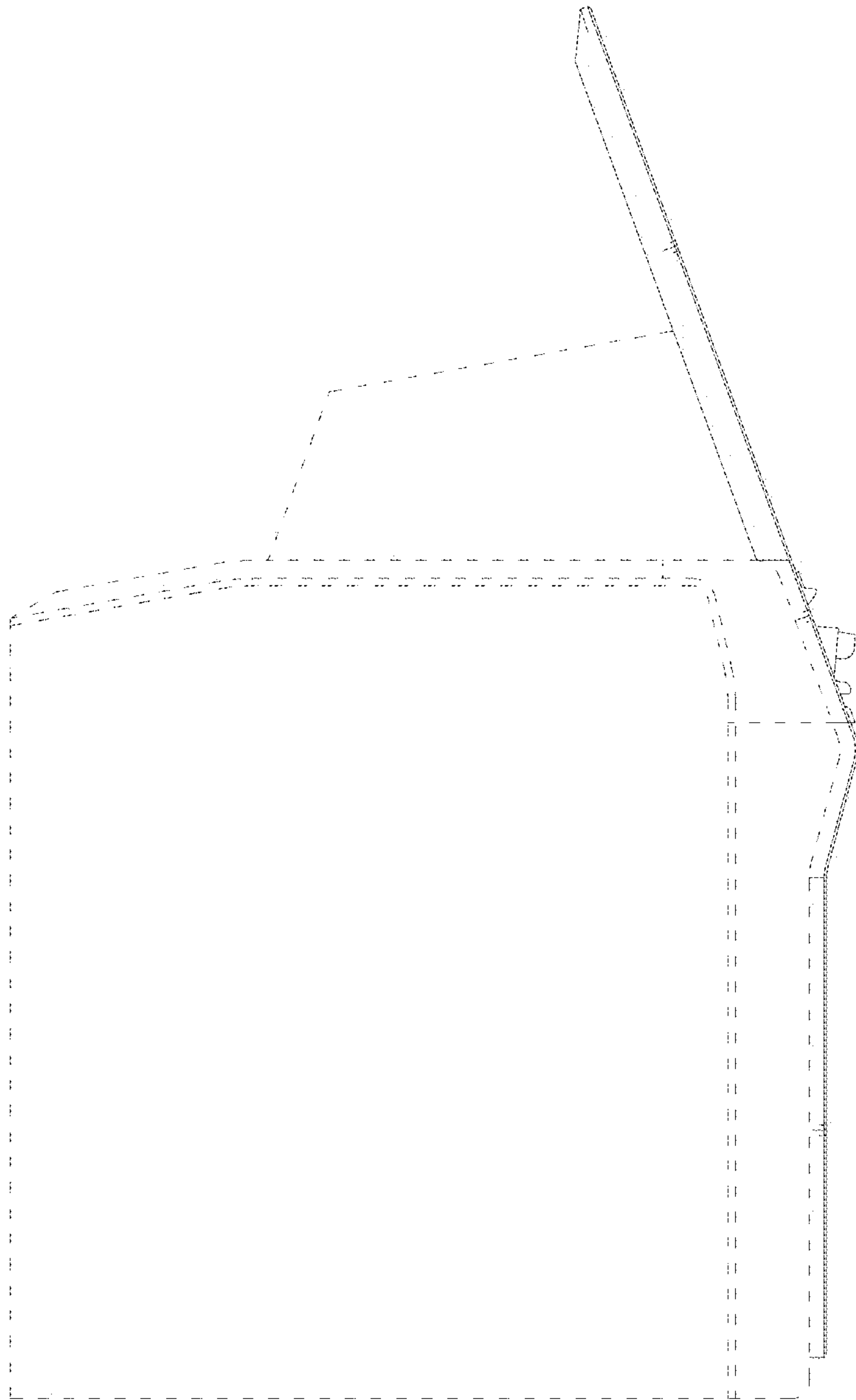


Fig 5

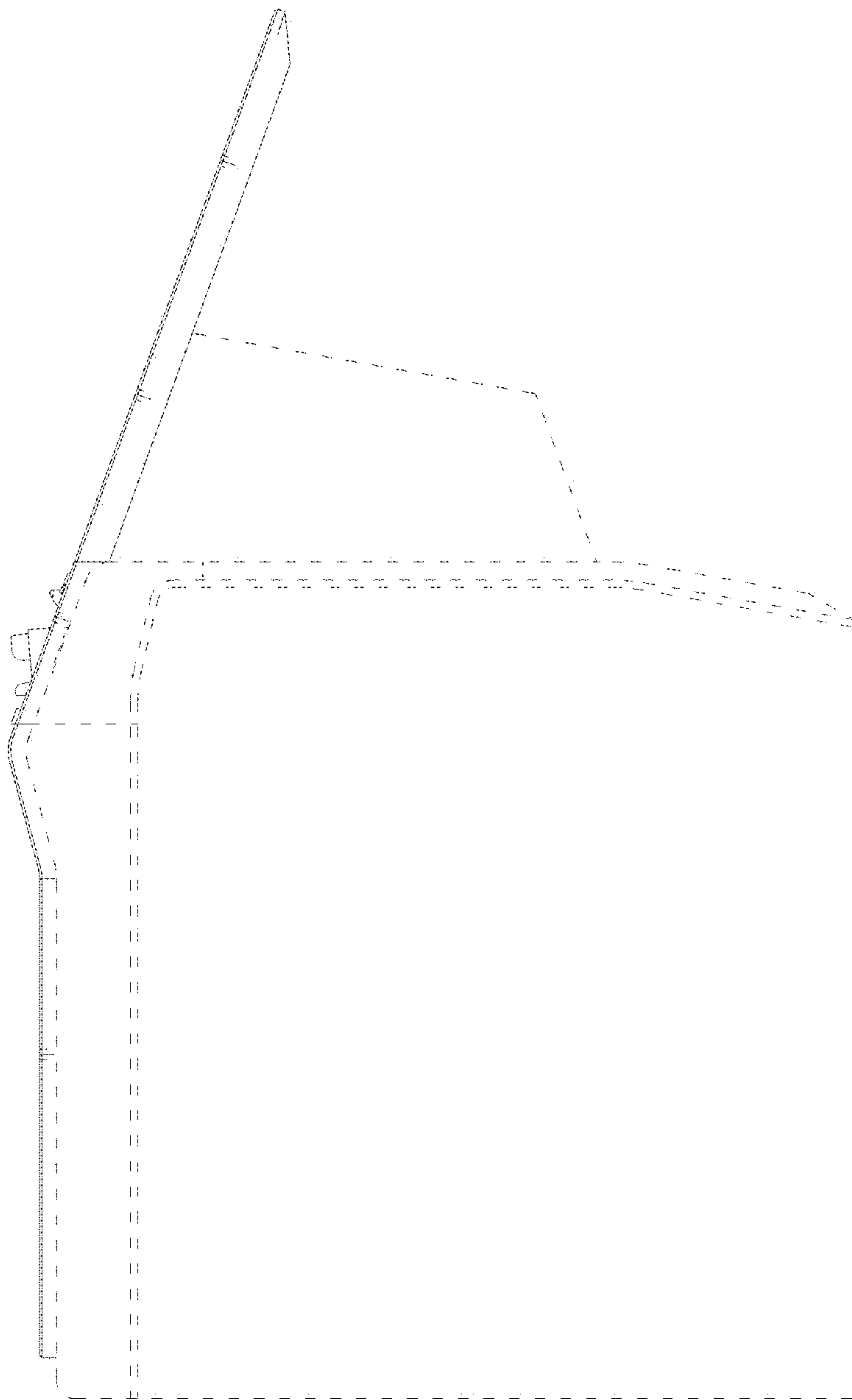


Fig 6

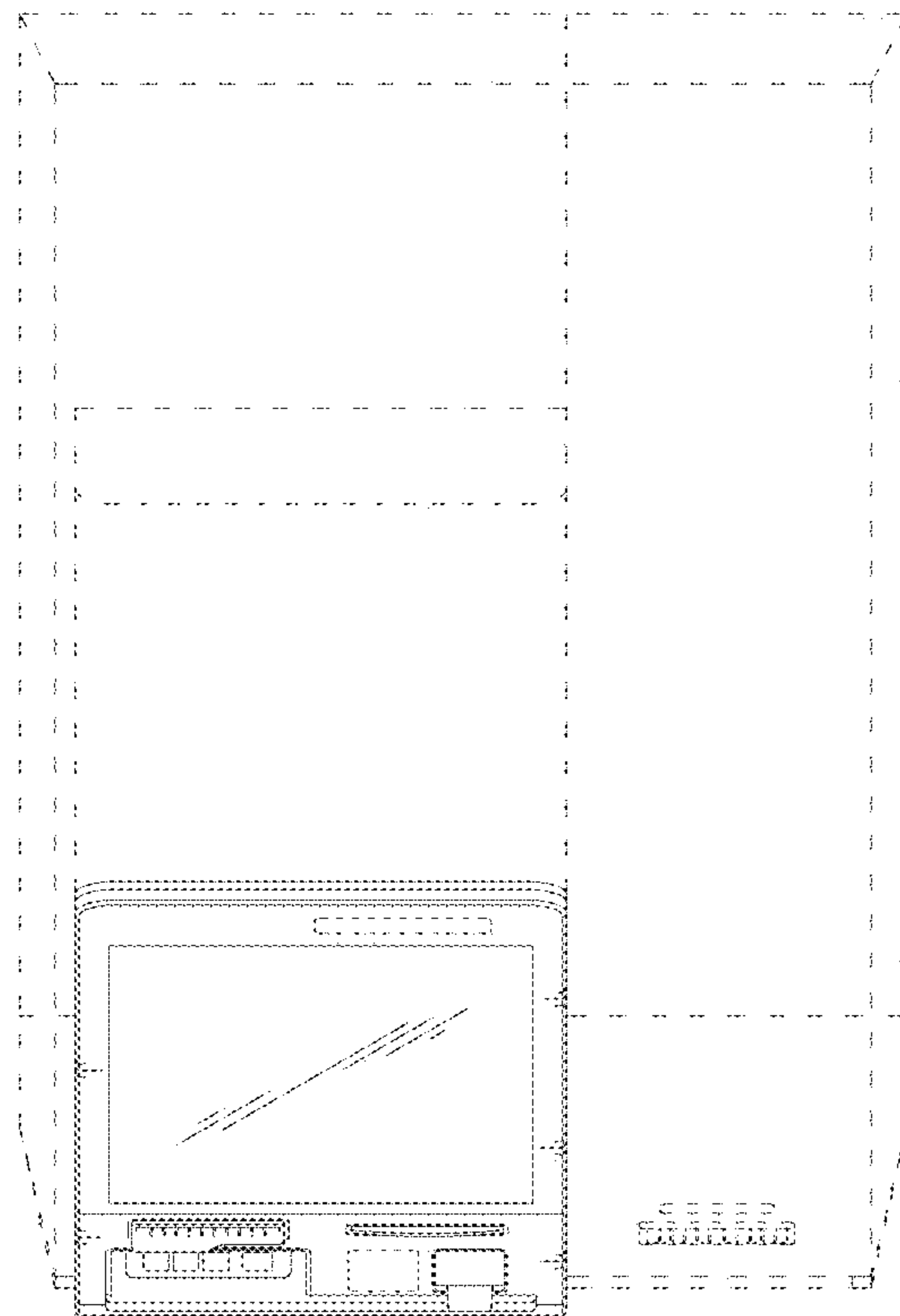


Fig 7

