



US00D963280S

(12) **United States Design Patent** (10) **Patent No.:** **US D963,280 S**
Mason et al. (45) **Date of Patent:** **** Sep. 6, 2022**

(54) **LOAD TRANSFER PLATE POCKET**

(71) Applicant: **Illinois Tool Works Inc.**, Glenview, IL (US)

(72) Inventors: **Greg Stephen Mason**, Rosedale South (AU); **David Graham Barnes**, Manly (AU)

(73) Assignee: **Illinois Tool Works Inc.**, Glenview, IL (US)

(**) Term: **15 Years**

(21) Appl. No.: **29/785,565**

(22) Filed: **May 26, 2021**

Related U.S. Application Data

(62) Division of application No. 29/718,065, filed on Dec. 20, 2019, now Pat. No. Des. 922,719.

(51) **LOC (13) Cl.** **12-05**

(52) **U.S. Cl.**
USPC **D34/28**

(58) **Field of Classification Search**
USPC D34/28-35; D8/382, 356, 349, 353, 354, D8/380, 366; D25/119

(Continued)

(56) **References Cited**

U.S. PATENT DOCUMENTS

2,094,853 A 10/1937 Shaw
2,181,005 A 11/1939 Westcott

(Continued)

FOREIGN PATENT DOCUMENTS

CA 2 712 305 7/2009
DE 10 2007 020 816 10/2008

(Continued)

OTHER PUBLICATIONS

Diamond Dowel® System Tapered Plate Dowels for Formed Construction Joints brochure, by PNA Construction Technologies, available Jan. 2010 (2 pages).

(Continued)

Primary Examiner — Cynthia Ramirez

Assistant Examiner — Tamara L Hahn

(74) *Attorney, Agent, or Firm* — Neal, Gerber & Eisenberg LLP

(57) **CLAIM**

The ornamental design for a load transfer plate pocket, as shown and described.

DESCRIPTION

This application is related to the following commonly owned co-pending patent application: U.S. application Ser. No. 16/723,010, entitled "Load Transfer Plate Apparatus". FIG. 1 is a top rear perspective view of a load transfer plate pocket of our new design.

FIG. 2 is a top front perspective view of the load transfer plate pocket of FIG. 1.

FIG. 3 is top view of the load transfer plate pocket of FIG. 1.

FIG. 4 is bottom view of the load transfer plate pocket of FIG. 1.

FIG. 5 is a right side view of the load transfer plate pocket of FIG. 1.

FIG. 6 is a left side view of the load transfer plate pocket of FIG. 1.

FIG. 7 is a rear view of the load transfer plate pocket of FIG. 1.

FIG. 8 is a front view of the load transfer plate pocket of FIG. 1.

FIG. 9 is a cross-sectional view of the load transfer plate pocket of FIG. 1, taken substantially along line 9-9 of FIG. 7.

FIG. 10 is a cross-sectional top perspective of the load transfer plate pocket of FIG. 1, taken substantially along line 10-10 of FIG. 7; and,

(Continued)

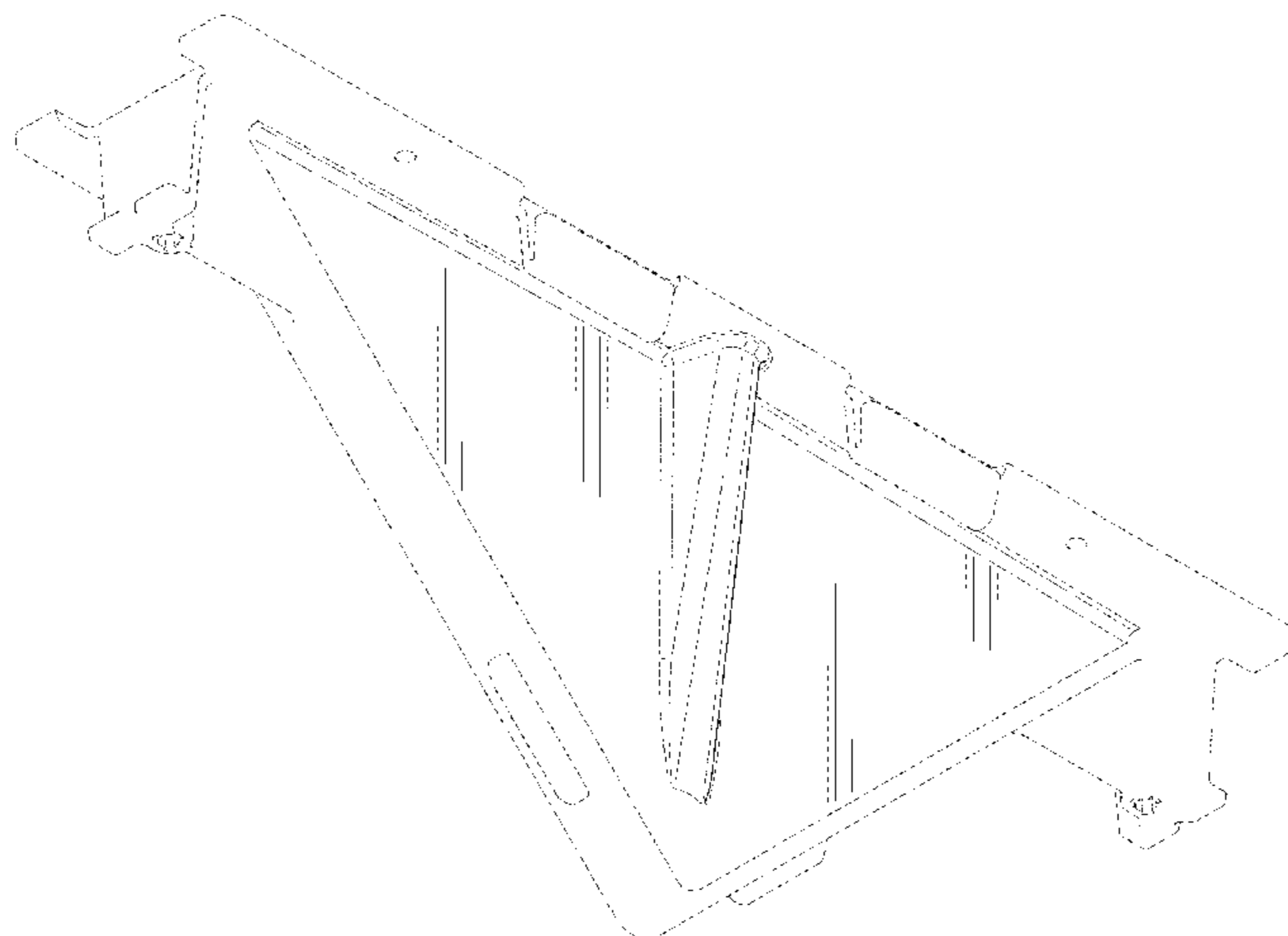


FIG. 11 is a cross-sectional bottom perspective of the load transfer plate pocket of FIG. 1, taken substantially along line 11-11 of FIG. 8.

The broken lines in the drawings depict portions of the load transfer plate pocket that form no part of the claimed design.

1 Claim, 10 Drawing Sheets

(58) **Field of Classification Search**

CPC A47B 96/061; A47B 57/562; A47B 73/00;
A47B 81/007; E04B 1/41; E04B 5/321
See application file for complete search history.

(56) **References Cited**

U.S. PATENT DOCUMENTS

2,316,233	A	4/1943	Fischer	
2,349,983	A	5/1944	Musall	
2,654,297	A	10/1953	Nettleton	
3,559,541	A	2/1971	Watstein	
4,120,600	A *	10/1978	Rees	F16B 12/46 403/231
4,733,513	A	3/1988	Schrader et al.	
4,942,912	A	7/1990	Gakhar et al.	
5,005,331	A	4/1991	Shaw et al.	
5,216,862	A	6/1993	Shaw et al.	
5,458,433	A	10/1995	Stastny	
5,487,249	A	1/1996	Shaw et al.	
5,730,544	A	3/1998	Dils et al.	
6,019,546	A	2/2000	Ruiz	
6,145,262	A	11/2000	Schrader et al.	
6,354,760	B1	3/2002	Boxall et al.	
6,775,952	B2	8/2004	Boxall et al.	
6,926,463	B2	8/2005	Shaw et al.	
7,004,443	B2	2/2006	Bennett	
7,228,666	B2	6/2007	Michiels	
7,338,230	B2	3/2008	Shaw et al.	
7,461,492	B1	12/2008	Francies, III	
7,481,031	B2	1/2009	Boxall et al.	
7,604,432	B2	10/2009	Shaw et al.	
7,637,689	B2	12/2009	Boxall et al.	
7,716,890	B2	5/2010	Boxall et al.	
7,736,088	B2	6/2010	Boxall et al.	
7,748,928	B2	7/2010	Estes	
8,302,359	B2	11/2012	Boxall et al.	
8,303,210	B2	11/2012	Parkes et al.	
8,356,955	B2	1/2013	Nadler	

8,381,470	B2	2/2013	Boxall et al.	
8,465,222	B1	6/2013	Ghauch	
8,573,884	B2	11/2013	Nadler	
8,627,626	B2	1/2014	Boxall et al.	
8,672,579	B2	3/2014	Laiho	
9,340,969	B1	5/2016	Shaw	
9,574,309	B2	2/2017	McDonald	
D813,277	S	3/2018	Terabe	
10,119,281	B2	11/2018	Connell	
D905,626	S *	12/2020	Delgado-Nanez	F16B 12/46 D13/102
2004/0007652	A1	1/2004	Shaw	
2005/0036835	A1	2/2005	Shaw	
2006/0016956	A1	1/2006	Bennett	
2006/0140721	A1	6/2006	Shaw	
2006/0182496	A1	8/2006	Shaw	
2006/0275078	A1	12/2006	Shaw et al.	
2007/0231068	A1	10/2007	Francies	
2007/0269266	A1	11/2007	Kelly et al.	
2010/0054858	A1	3/2010	Mayo et al.	
2012/0167517	A1 *	7/2012	Ruiz	E04B 1/41 264/261
2015/0204026	A1	7/2015	McDonald	
2017/0096815	A1	4/2017	Parkes	
2018/0135297	A1	5/2018	Parkes et al.	
2018/0171629	A1	6/2018	Parkes	
2018/0202145	A1	7/2018	Hansort	
2020/0223095	A1	7/2020	Miller	

FOREIGN PATENT DOCUMENTS

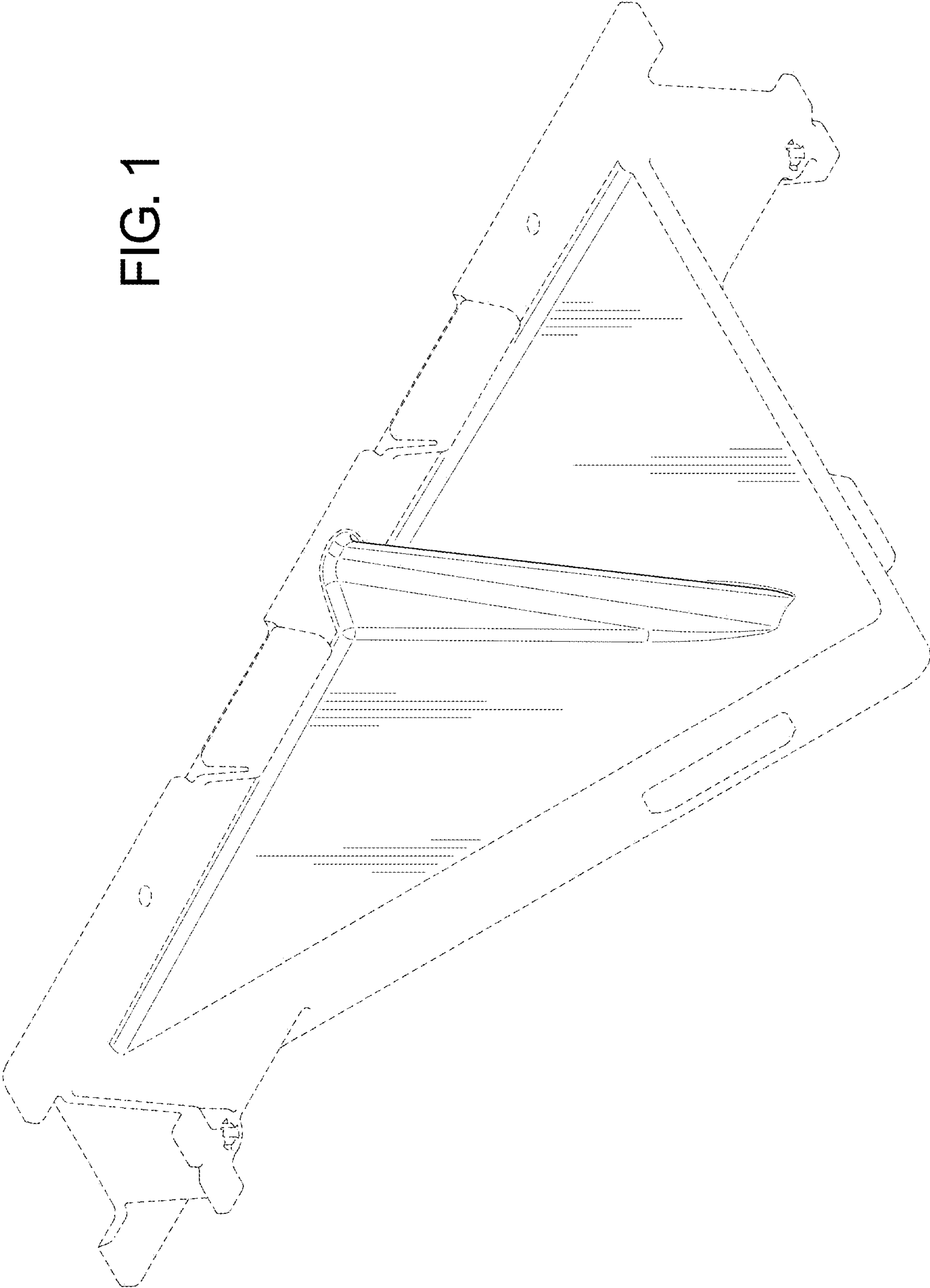
FR	3 043 105	5/2017
GB	2 285 641	7/1995
WO	WO 2004/065694	8/2004
WO	WO 2005/111332	11/2005
WO	WO 2006/123176	11/2006
WO	WO 2009/153604	12/2009
WO	WO 2010/004294	1/2010
WO	WO 2013/128151	9/2013
WO	WO 2019/074632	4/2019

OTHER PUBLICATIONS

Diamond™ Dowel Load Transfer System Industrial Slab on Ground brochure, by Danley™ Systems, available Sep. 2016 (8 pages).
Load Transfer Systems Dowel Cradles Industrial Slab on Ground brochure, by ITW Construction Systems and Danley Systems, available prior to Nov. 16, 2016 (12 pages).

* cited by examiner

FIG. 1



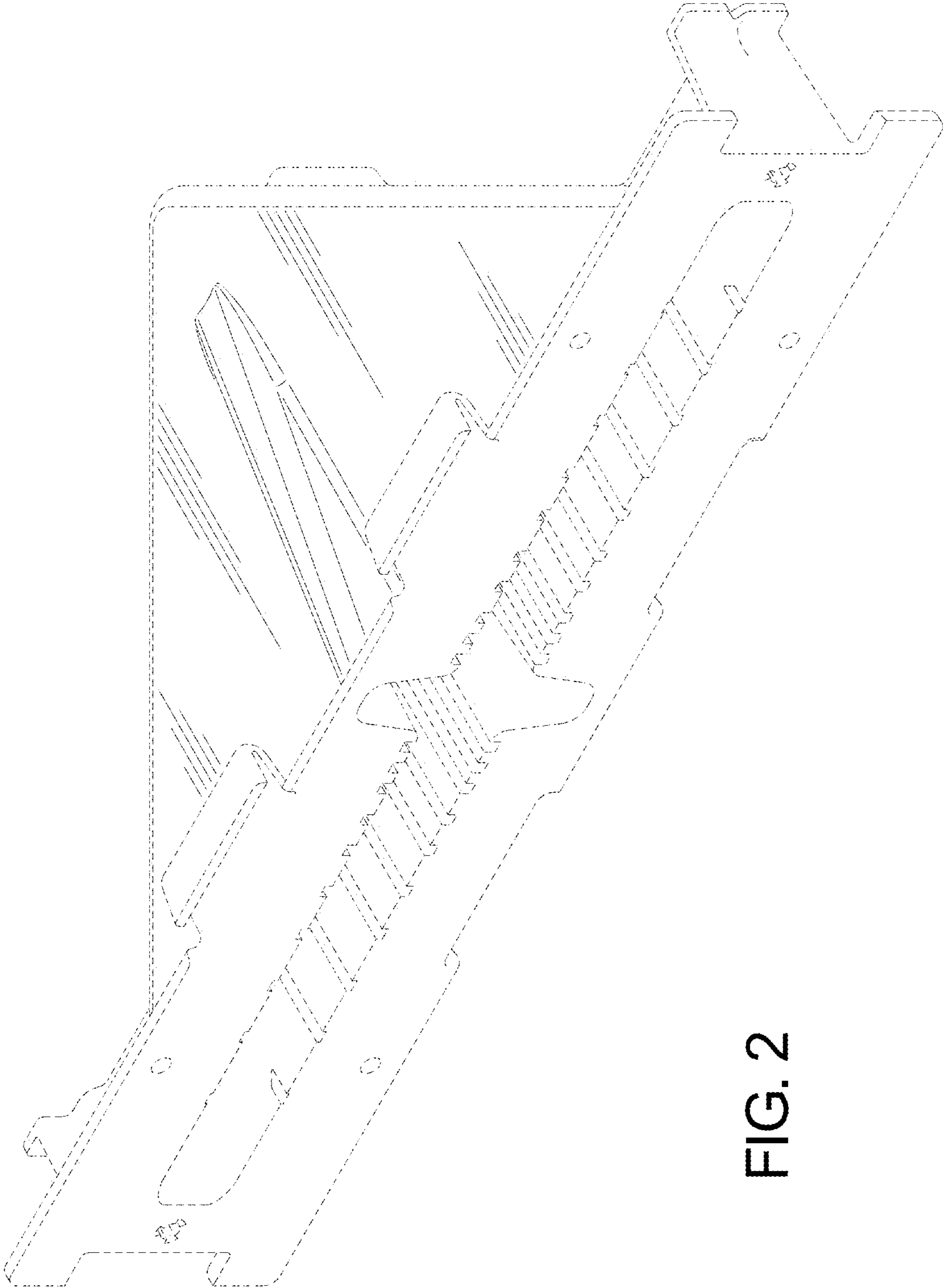


FIG. 2

FIG. 3

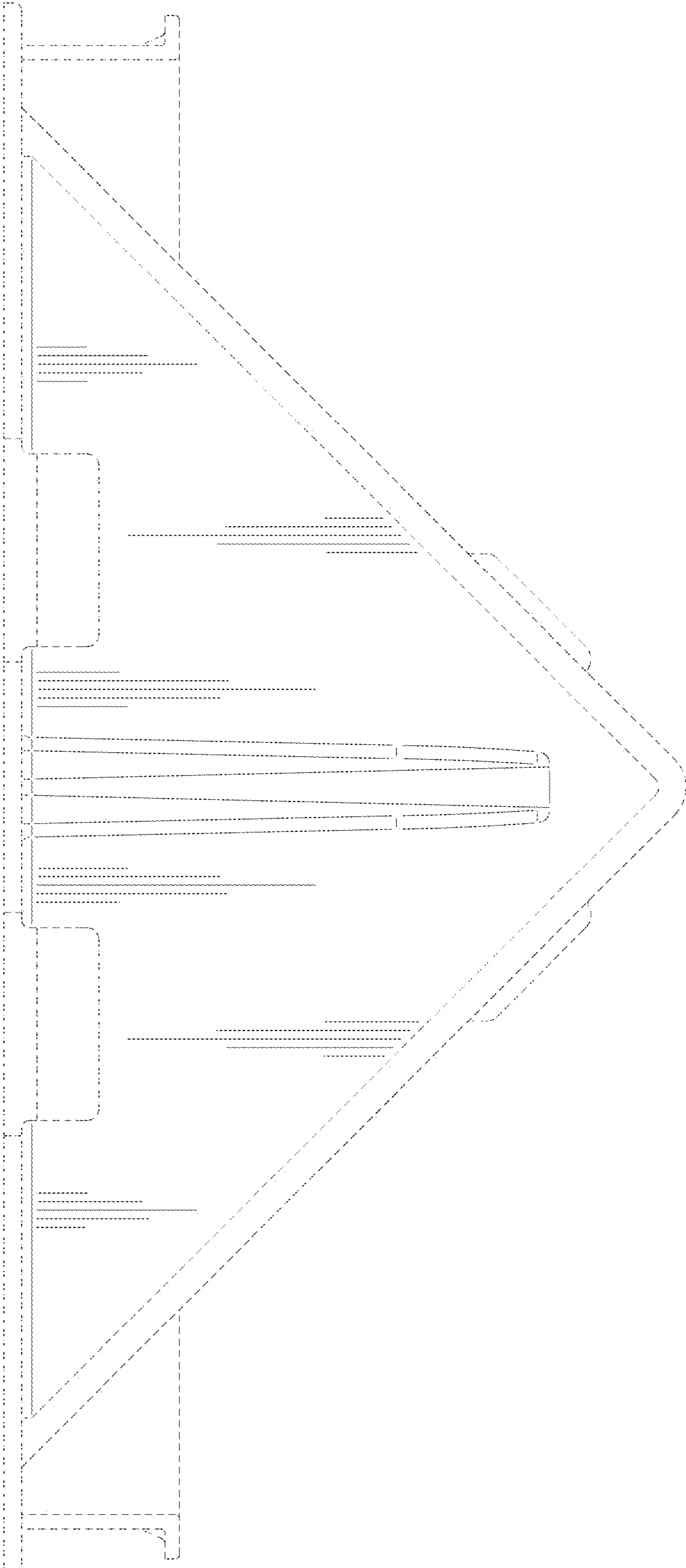
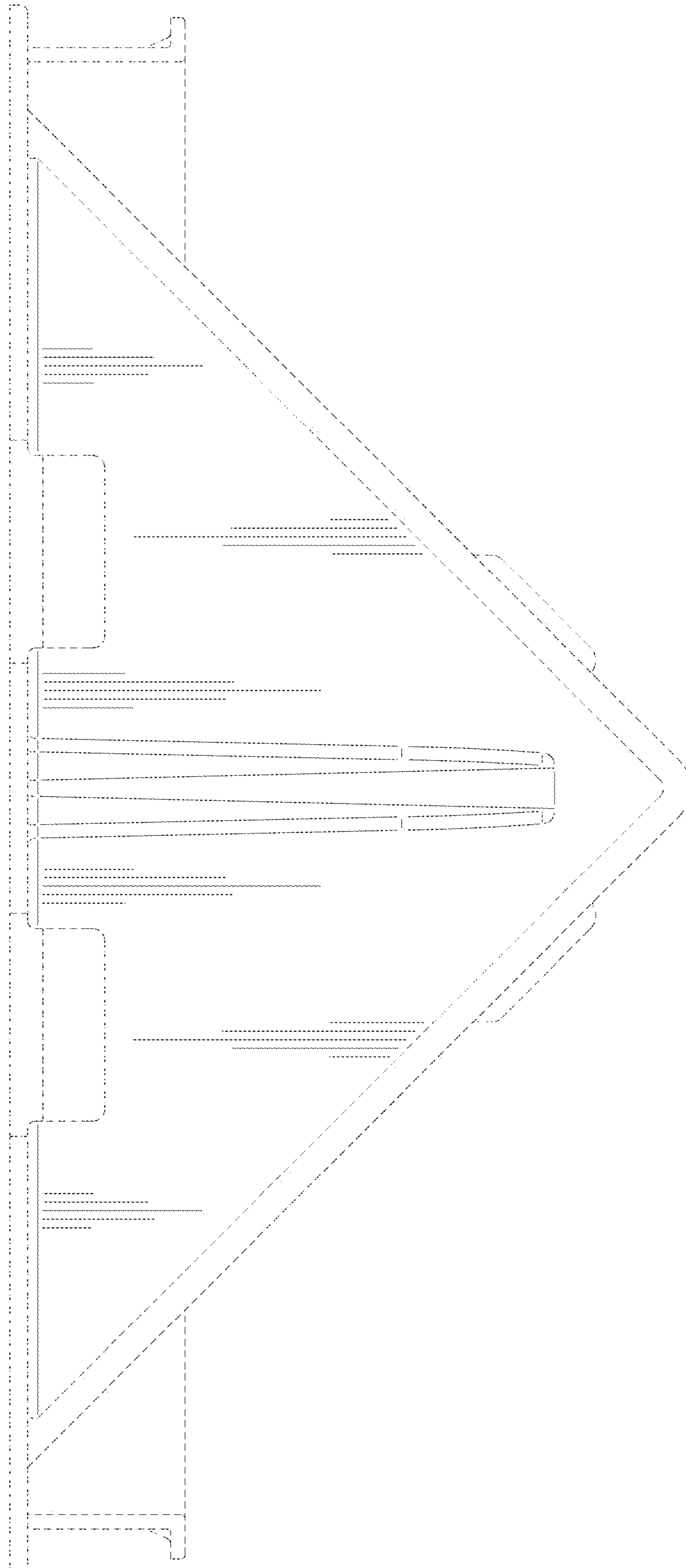


FIG. 4



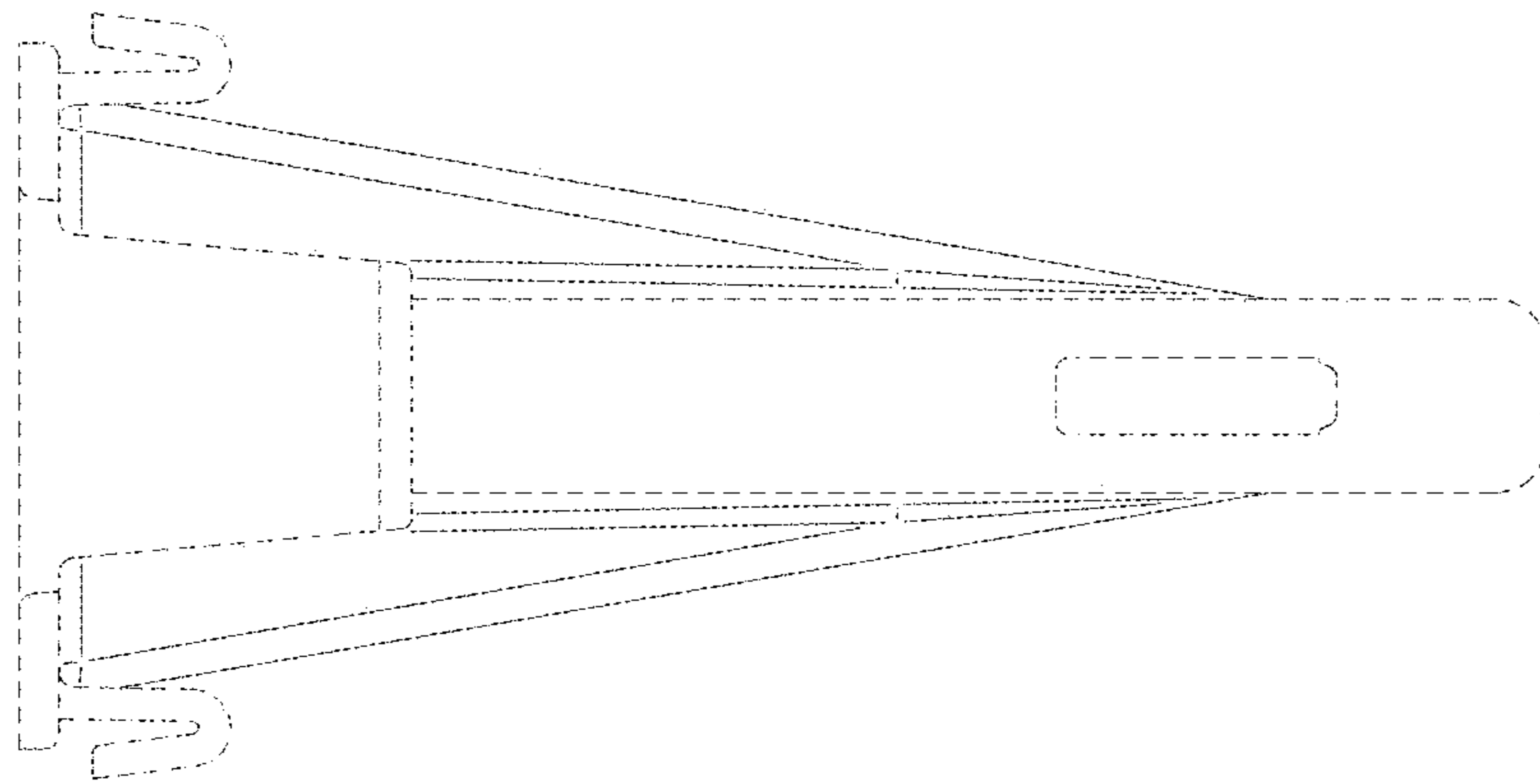


FIG. 5

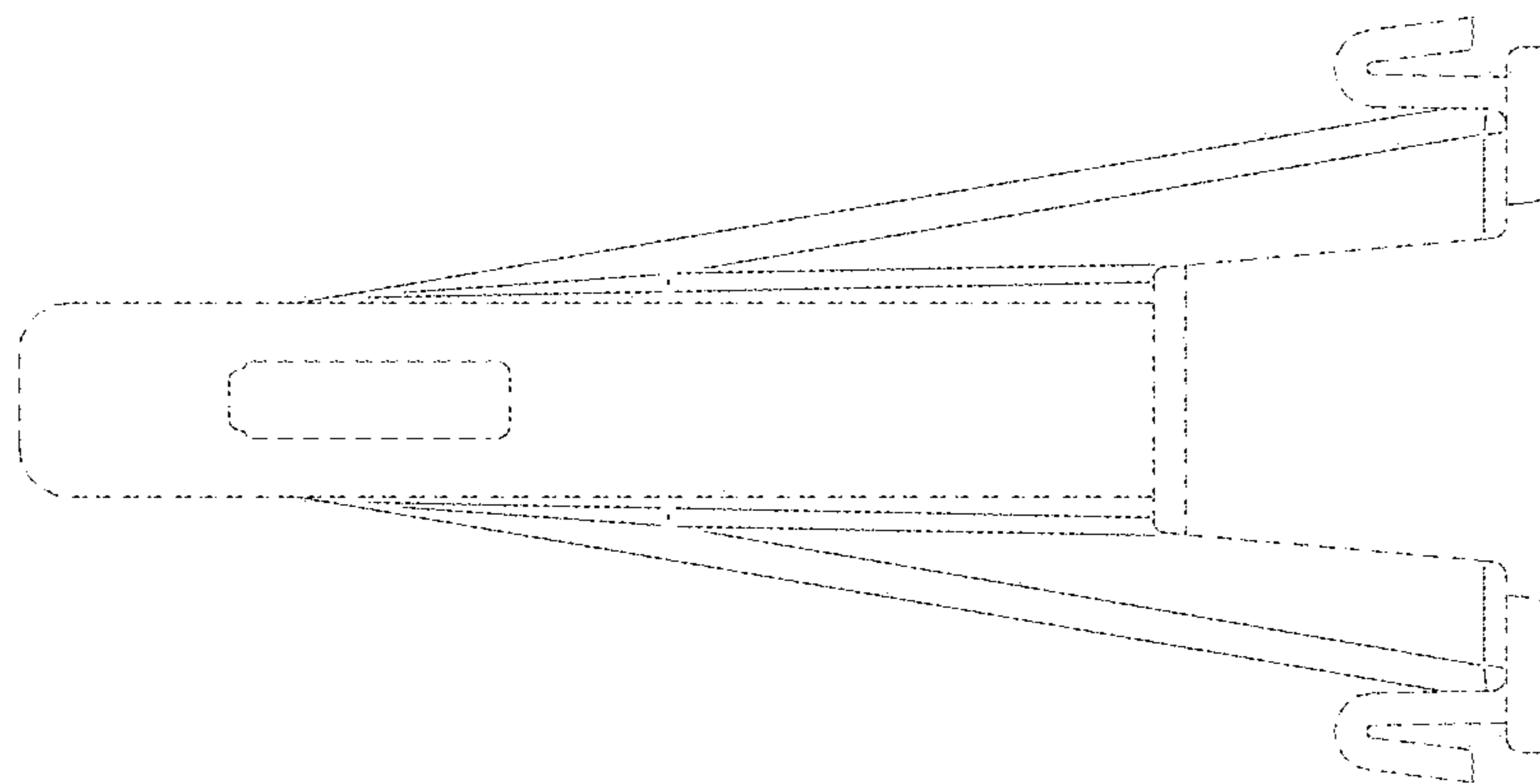


FIG. 6

FIG. 7

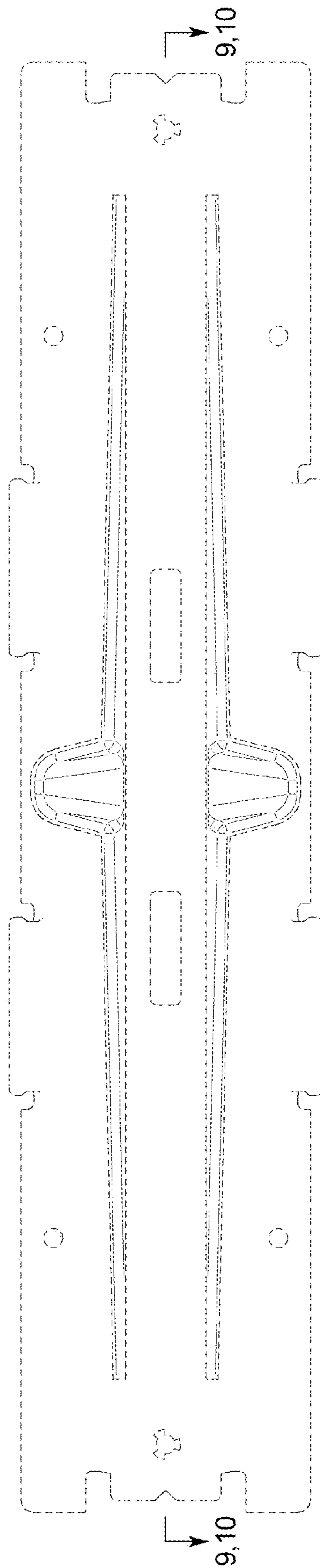


FIG. 8

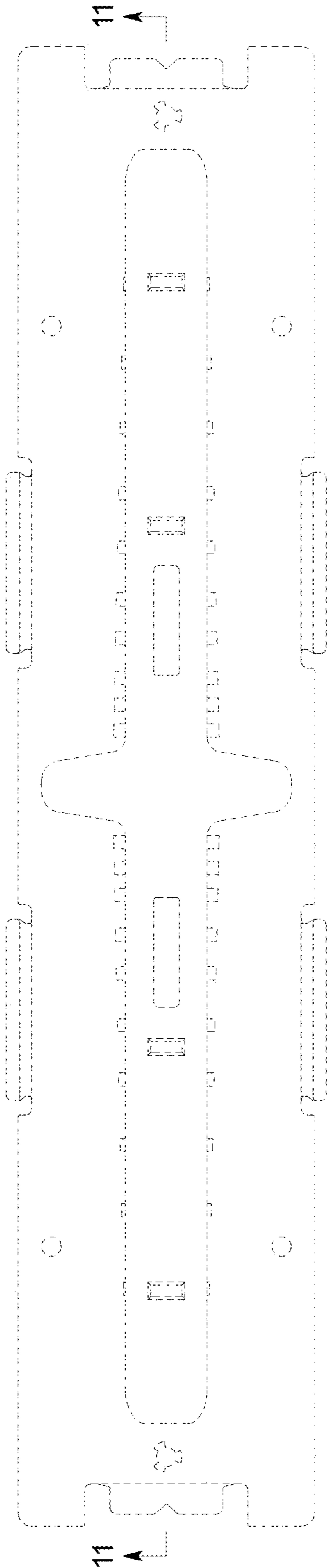
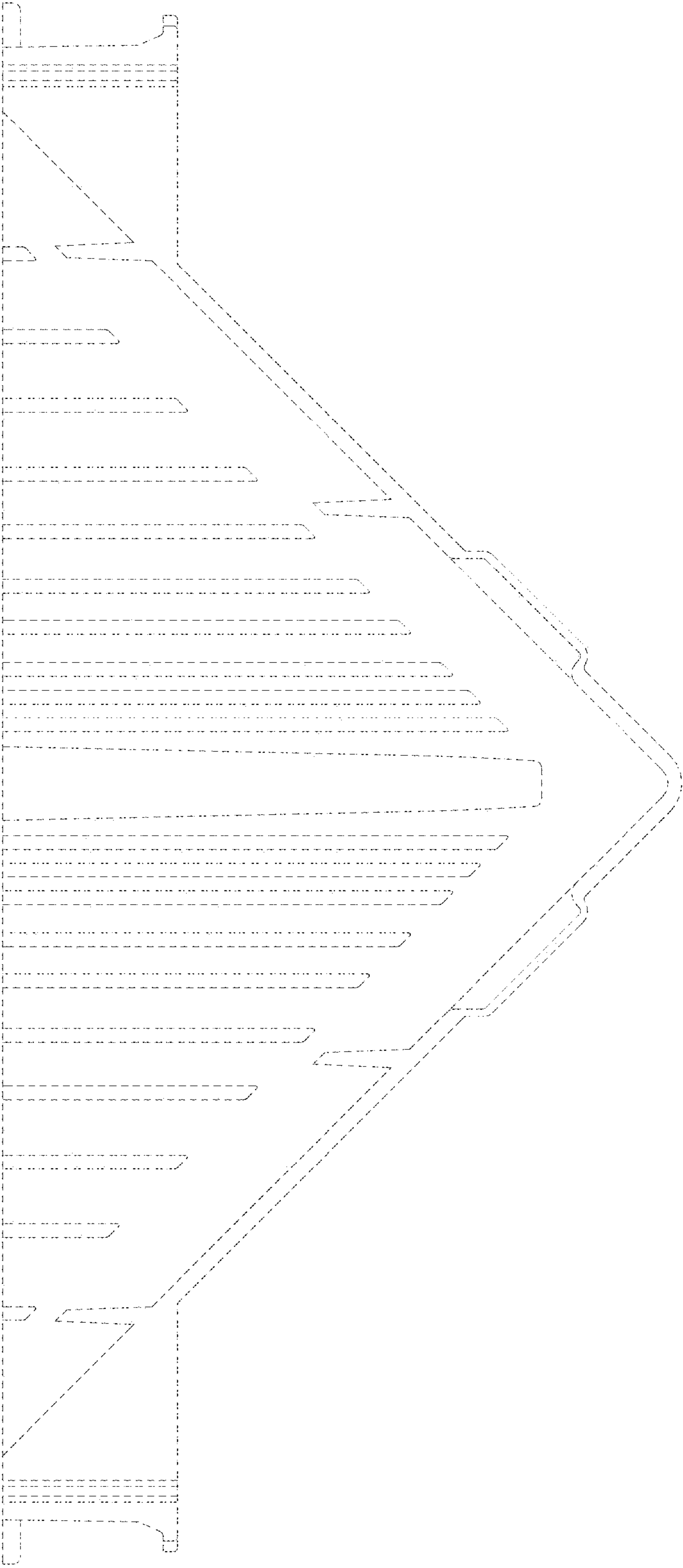


FIG. 9



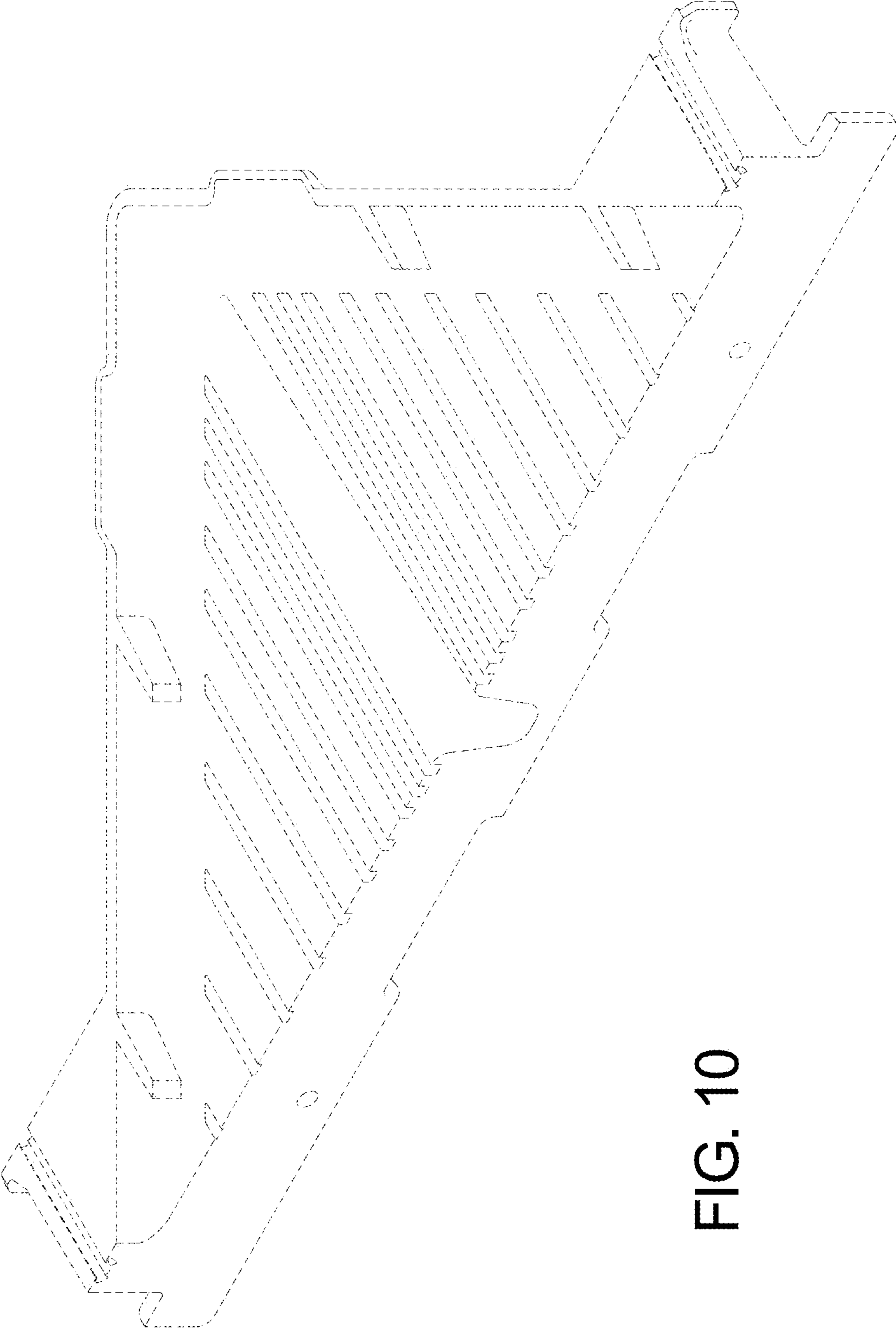


FIG. 10

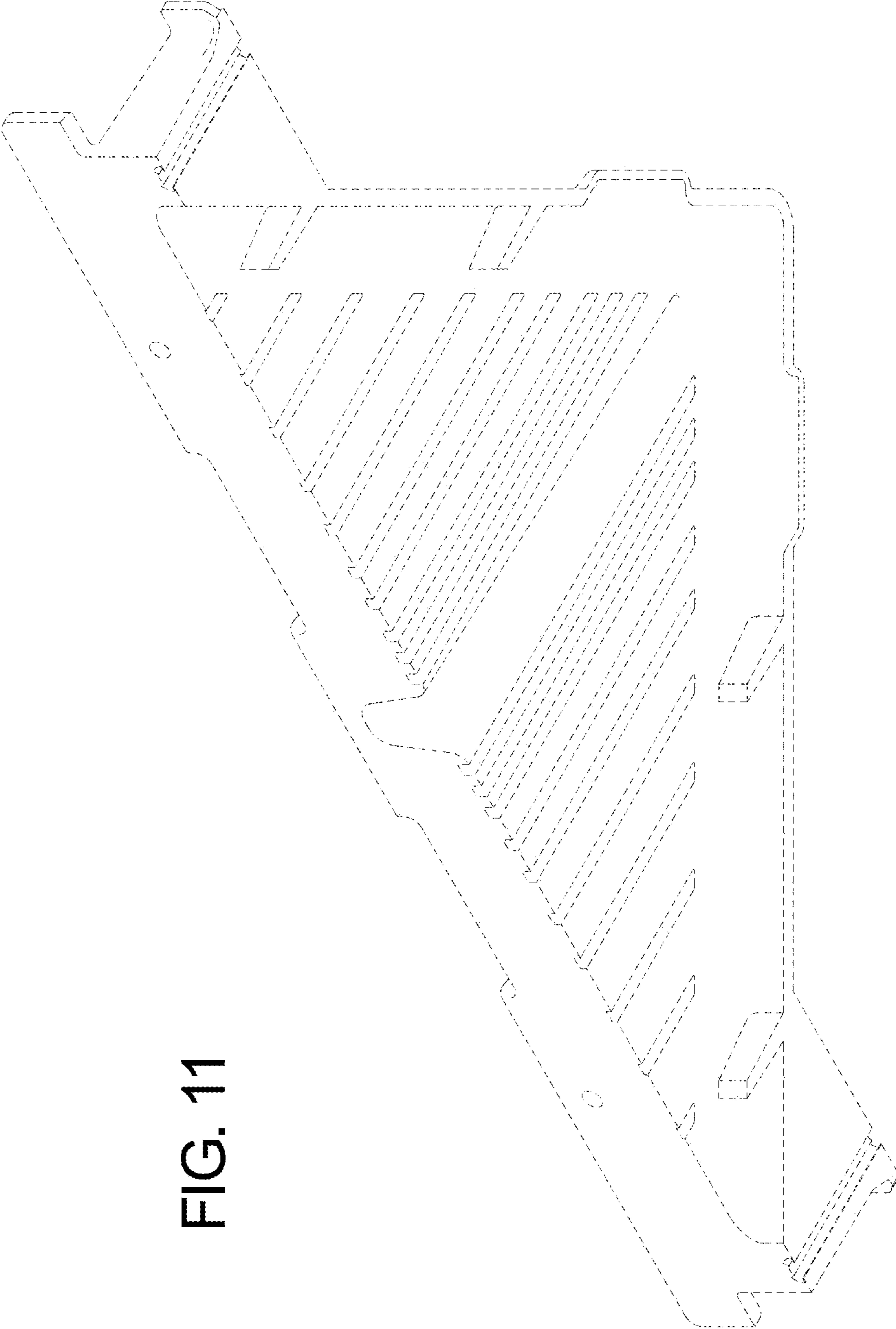


FIG. 11