



US00D963279S

(12) **United States Design Patent**  
**Bryant et al.**

(10) **Patent No.:** **US D963,279 S**  
(45) **Date of Patent:** **\*\* Sep. 6, 2022**

(54) **WASTE CONTAINER LID FRAME**

FOREIGN PATENT DOCUMENTS

(71) Applicant: **Wastequip LLC**, Charlotte, NC (US)

WO 2013150307 10/2013

(72) Inventors: **Martin D. Bryant**, Charlotte, NC (US);  
**Jennifer Coates**, Charlotte, NC (US);  
**Amy Wright**, Charlotte, NC (US)

OTHER PUBLICATIONS

Global industries Feb. 7, 2022, Rubbermaid Commercial Stationary Moving collar, <https://www.globalindustrial.com/p/stationary-moving-collar-fg397513> (Year: 2021).\*

(73) Assignee: **Wastequip LLC**, Charlotte, NC (US)

*Primary Examiner* — Cynthia Ramirez

(\*\*) Term: **15 Years**

(74) *Attorney, Agent, or Firm* — Nelson Mullins Riley & Scarborough LLP

(21) Appl. No.: **29/749,389**

(22) Filed: **Sep. 4, 2020**

(57) **CLAIM**

(51) **LOC (13) Cl.** ..... **09-09**

The ornamental design for a waste container lid frame, substantially as shown and described.

(52) **U.S. Cl.**

USPC ..... **D34/10**

(58) **Field of Classification Search**

**DESCRIPTION**

USPC ..... D34/5, 6, 10, 11

CPC ..... B65F 1/16; B65F 1/1607; B65F 1/1615;

B65F 1/06; B65F 1/163; B65F 1/1623;

B65F 1/1646; B65F 2220/12; B65F

2230/00; B65F 2250/1146; B65F 1/1468;

B65D 21/0209; B65D 2543/00194

See application file for complete search history.

FIG. 1 is a perspective view of a new, original, and ornamental design of a waste container lid frame in accordance with the present invention;

FIG. 2 is a perspective view of the waste container lid frame of FIG. 1;

FIG. 3 is a front side elevation view of the waste container lid frame of FIG. 1;

FIG. 4 is a rear side elevation view of the waste container lid frame of FIG. 1;

FIG. 5 is a left side elevation view of the waste container lid frame of FIG. 1;

FIG. 6 is a right side elevation view of the waste container lid frame of FIG. 1;

FIG. 7 is a top side plan view of the waste container lid frame of FIG. 1; and,

FIG. 8 is a bottom side plan view of the waste container lid frame of FIG. 1.

The waste container shown in broken lines in FIG. 2 shows environment and forms no part of the claimed design.

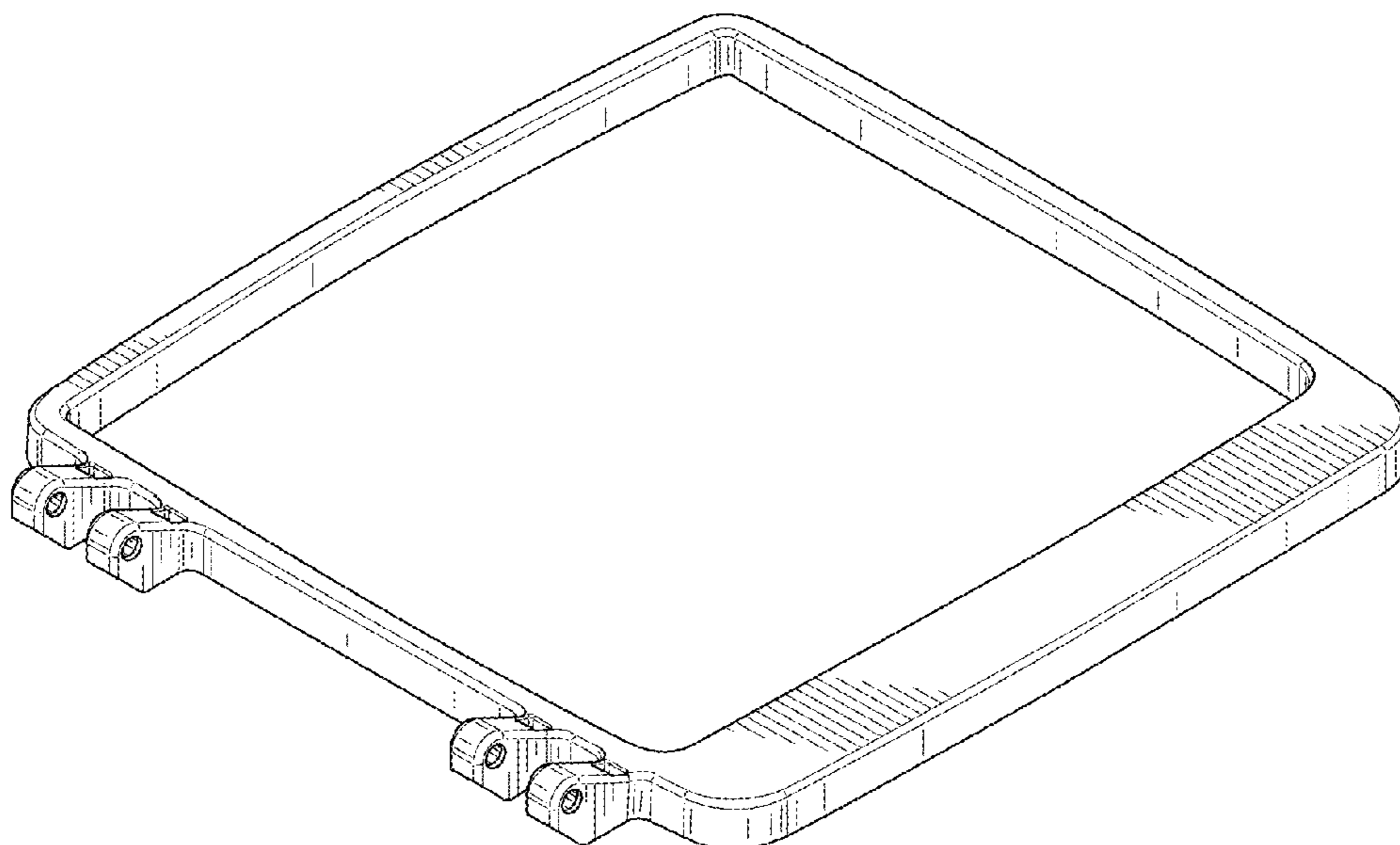
(56) **References Cited**

U.S. PATENT DOCUMENTS

1,481,922 A	1/1924	Miller
D343,490 S	1/1994	Ramsey
5,303,841 A	4/1994	Mezey
5,802,693 A	9/1998	Lee
5,879,015 A	3/1999	Ramsey et al.
6,019,242 A	2/2000	Wysocki et al.
6,050,442 A	4/2000	Wysocki
6,626,317 B2	9/2003	Pfiefer et al.
8,028,854 B2	10/2011	Sofy et al.
8,424,715 B2	4/2013	Aiken et al.
2002/0017529 A1	2/2002	Kruzick et al.

(Continued)

**1 Claim, 6 Drawing Sheets**



(56)

**References Cited**

U.S. PATENT DOCUMENTS

2012/0181282	A1 *	7/2012	Heller .....	B65F 1/1468
				220/495.08
2013/0082052	A1 *	4/2013	Prendergast .....	B65F 1/1468
				220/23.88

\* cited by examiner

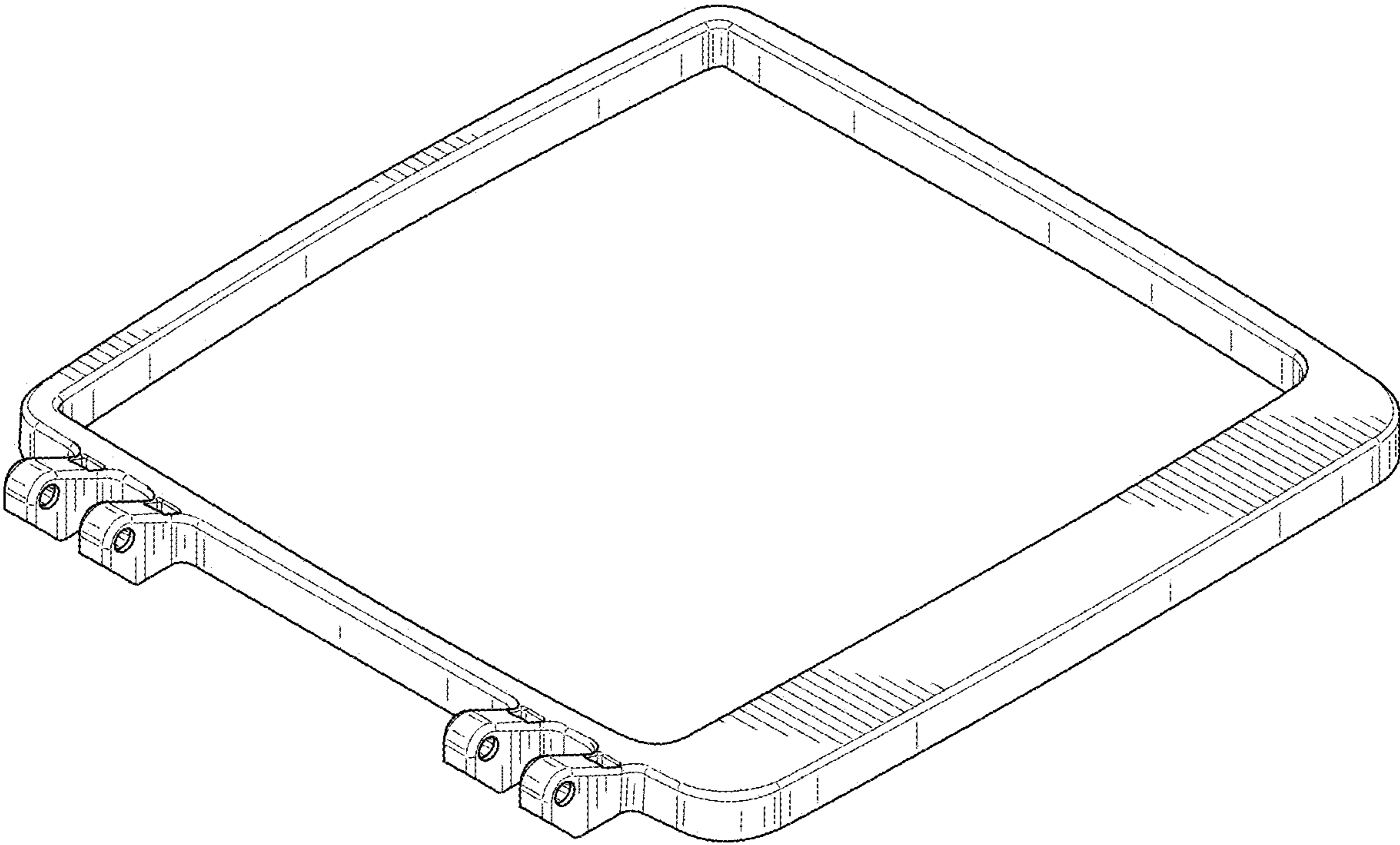


FIG. 1

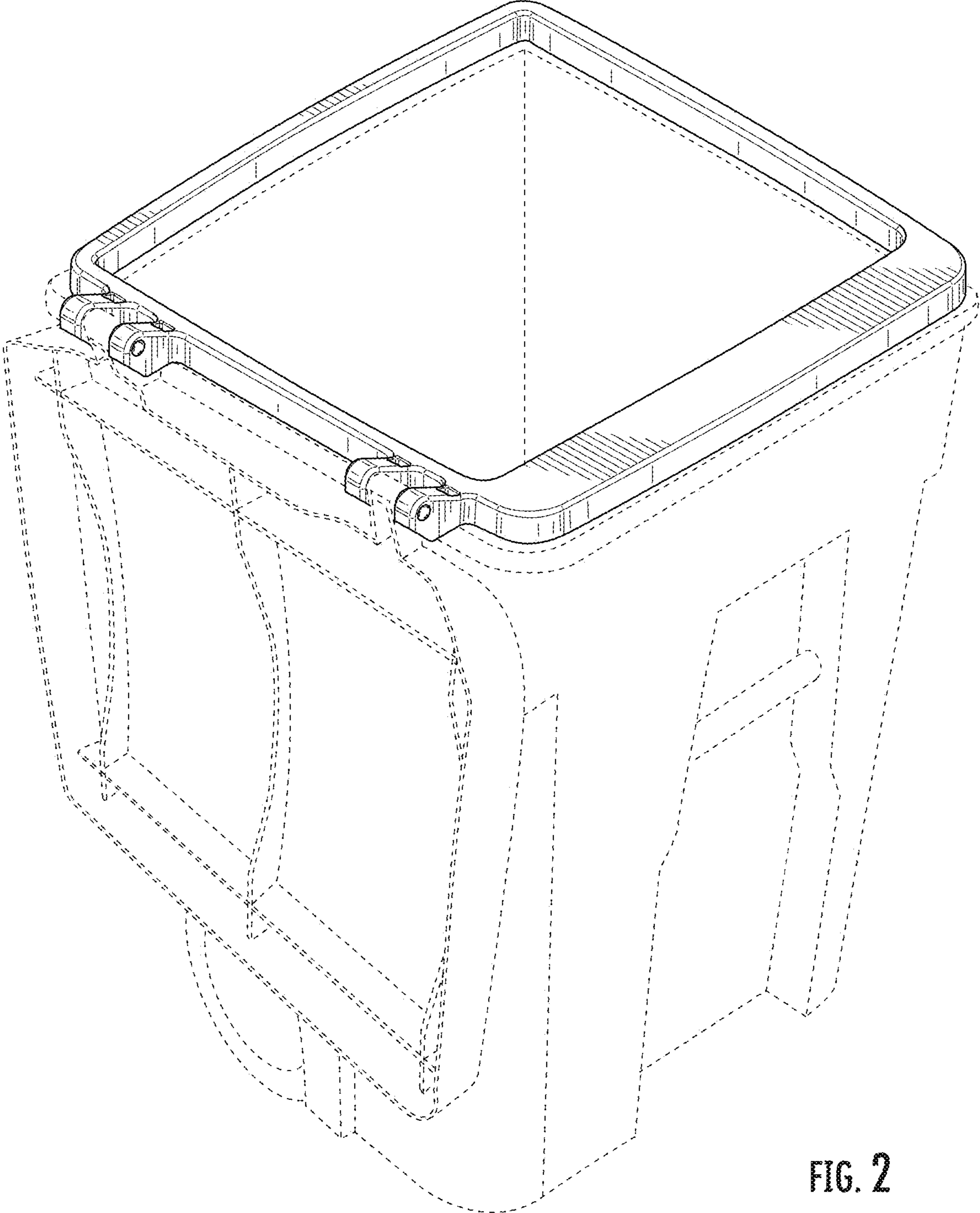


FIG. 2

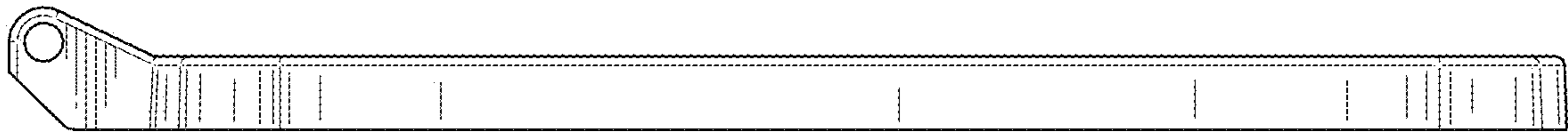


FIG. 3



FIG. 4

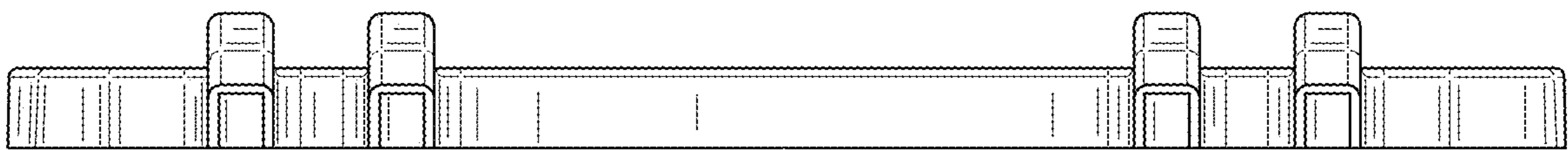


FIG. 5

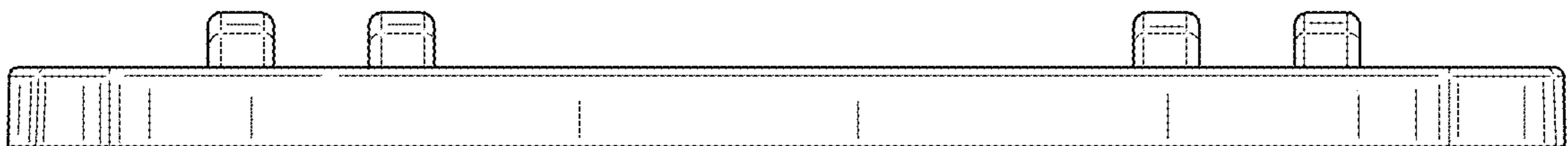


FIG. 6



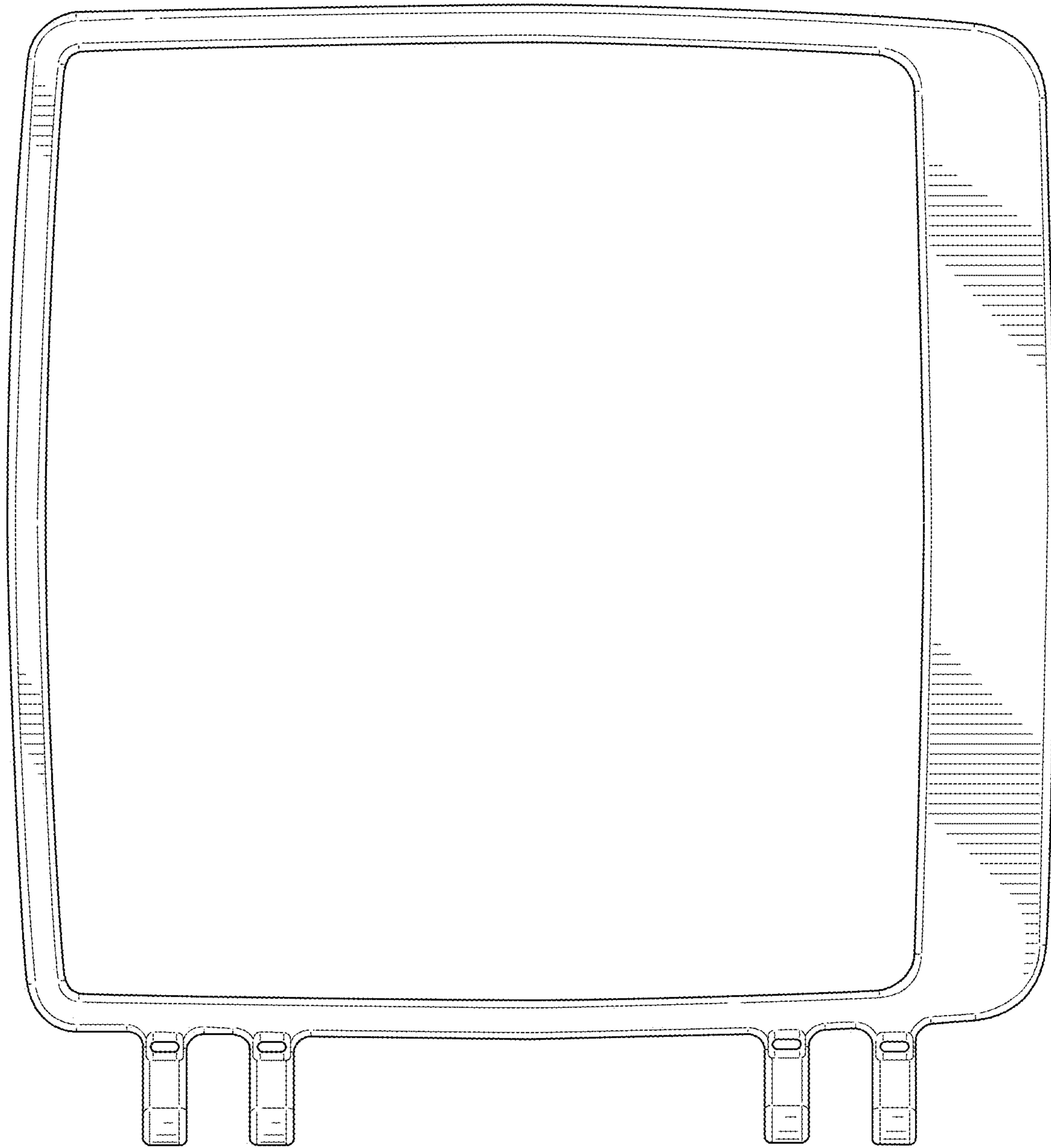


FIG. 7

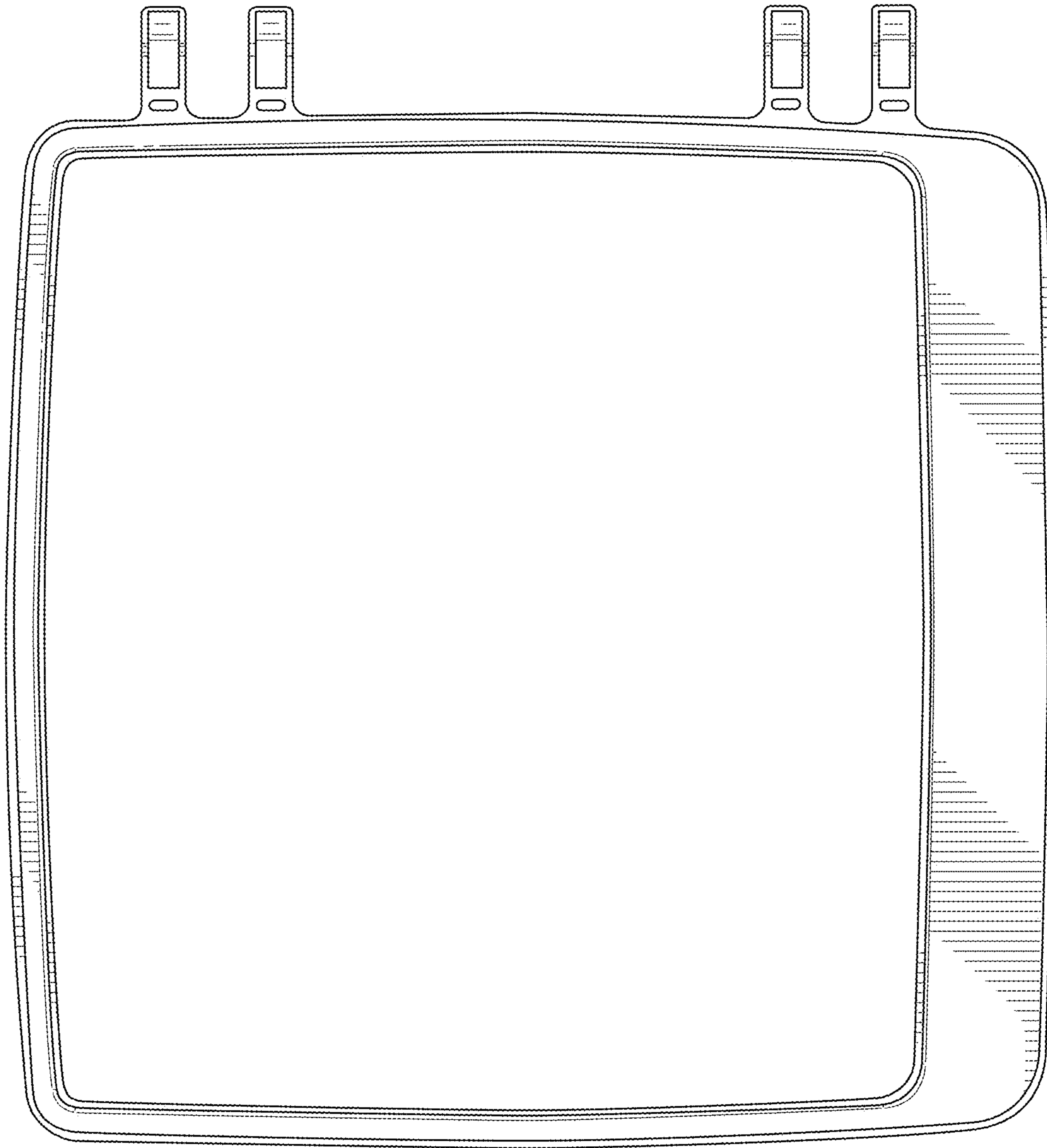


FIG. 8