



US00D963278S

(12) **United States Design Patent** (10) **Patent No.:** **US D963,278 S**
Bryant et al. (45) **Date of Patent:** **** Sep. 6, 2022**

(54) **WASTE CONTAINER LID FRAME**

FOREIGN PATENT DOCUMENTS

(71) Applicant: **Wastequip LLC**, Charlotte, NC (US)

WO 2013150307 10/2013

(72) Inventors: **Martin D. Bryant**, Charlotte, NC (US);
Jennifer Coates, Charlotte, NC (US);
Amy Wright, Charlotte, NC (US)

OTHER PUBLICATIONS

Global industries Feb. 7, 2022, Rubbermaid Commercial Stationary Moving collar, <https://www.globalindustrial.com/p/stationary-moving-collar-fg397513> (Year: 2021).*

(73) Assignee: **Wastequip LLC**, Charlotte, NC (US)

Primary Examiner — Cynthia Ramirez

(**) Term: **15 Years**

(74) *Attorney, Agent, or Firm* — Nelson Mullins Riley & Scarborough LLP

(21) Appl. No.: **29/749,388**

(22) Filed: **Sep. 4, 2020**

(57) **CLAIM**

(51) **LOC (13) Cl.** **09-09**

The ornamental design for a waste container lid frame, substantially as shown and described.

(52) **U.S. Cl.**

USPC **D34/10**

(58) **Field of Classification Search**

DESCRIPTION

USPC D34/5, 6, 10, 11

CPC B65F 1/16; B65F 1/1607; B65F 1/1615;

B65F 1/06; B65F 1/163; B65F 1/1623;

B65F 1/1646; B65F 2220/12; B65F

2230/00; B65F 2250/1146; B65F 1/1468;

B65D 21/0209; B65D 2543/00194

See application file for complete search history.

FIG. 1 is a perspective view of a new, original, and ornamental design of a waste container lid frame in accordance with the present invention;

FIG. 2 is a perspective view of the waste container lid frame of FIG. 1;

FIG. 3 is a front side elevation view of the waste container lid frame of FIG. 1;

FIG. 4 is a rear side elevation view of the waste container lid frame of FIG. 1;

FIG. 5 is a left side elevation view of the waste container lid frame of FIG. 1;

FIG. 6 is a right side elevation view of the waste container lid frame of FIG. 1;

FIG. 7 is a top side plan view of the waste container lid frame of FIG. 1; and,

FIG. 8 is a bottom side plan view of the waste container lid frame of FIG. 1.

The waste container shown in broken lines in FIG. 2 shows environment and forms no part of the claimed design.

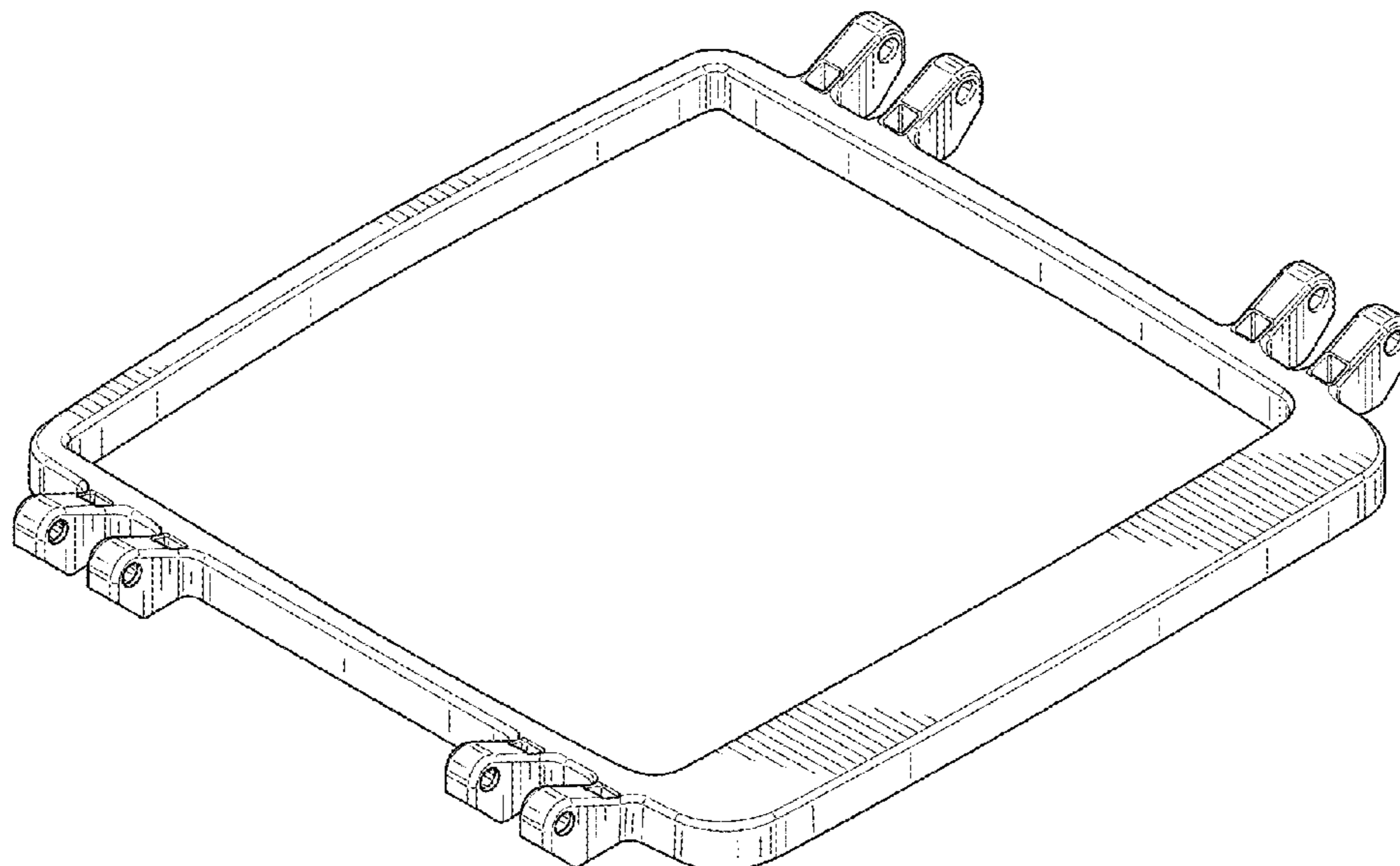
(56) **References Cited**

U.S. PATENT DOCUMENTS

| | | | |
|--------------|----|---------|----------------|
| 1,481,922 | A | 1/1924 | Miller |
| D343,490 | S | 1/1994 | Ramsey |
| 5,303,841 | A | 4/1994 | Mezey |
| 5,802,693 | A | 9/1998 | Lee |
| 5,879,015 | A | 3/1999 | Ramsey et al. |
| 6,019,242 | A | 2/2000 | Wysocki et al. |
| 6,050,442 | A | 4/2000 | Wysocki |
| 6,626,317 | B2 | 9/2003 | Pfiefer et al. |
| 8,028,854 | B2 | 10/2011 | Sofy et al. |
| 8,424,715 | B2 | 4/2013 | Aiken et al. |
| 2002/0017529 | A1 | 2/2002 | Kruzick et al. |

(Continued)

1 Claim, 6 Drawing Sheets



(56)

References Cited

U.S. PATENT DOCUMENTS

| | | | | |
|--------------|------|--------|-------------------|-------------|
| 2012/0181282 | A1 * | 7/2012 | Heller | B65F 1/1468 |
| | | | | 220/495.08 |
| 2013/0082052 | A1 * | 4/2013 | Prendergast | B65F 1/1468 |
| | | | | 220/23.88 |

* cited by examiner

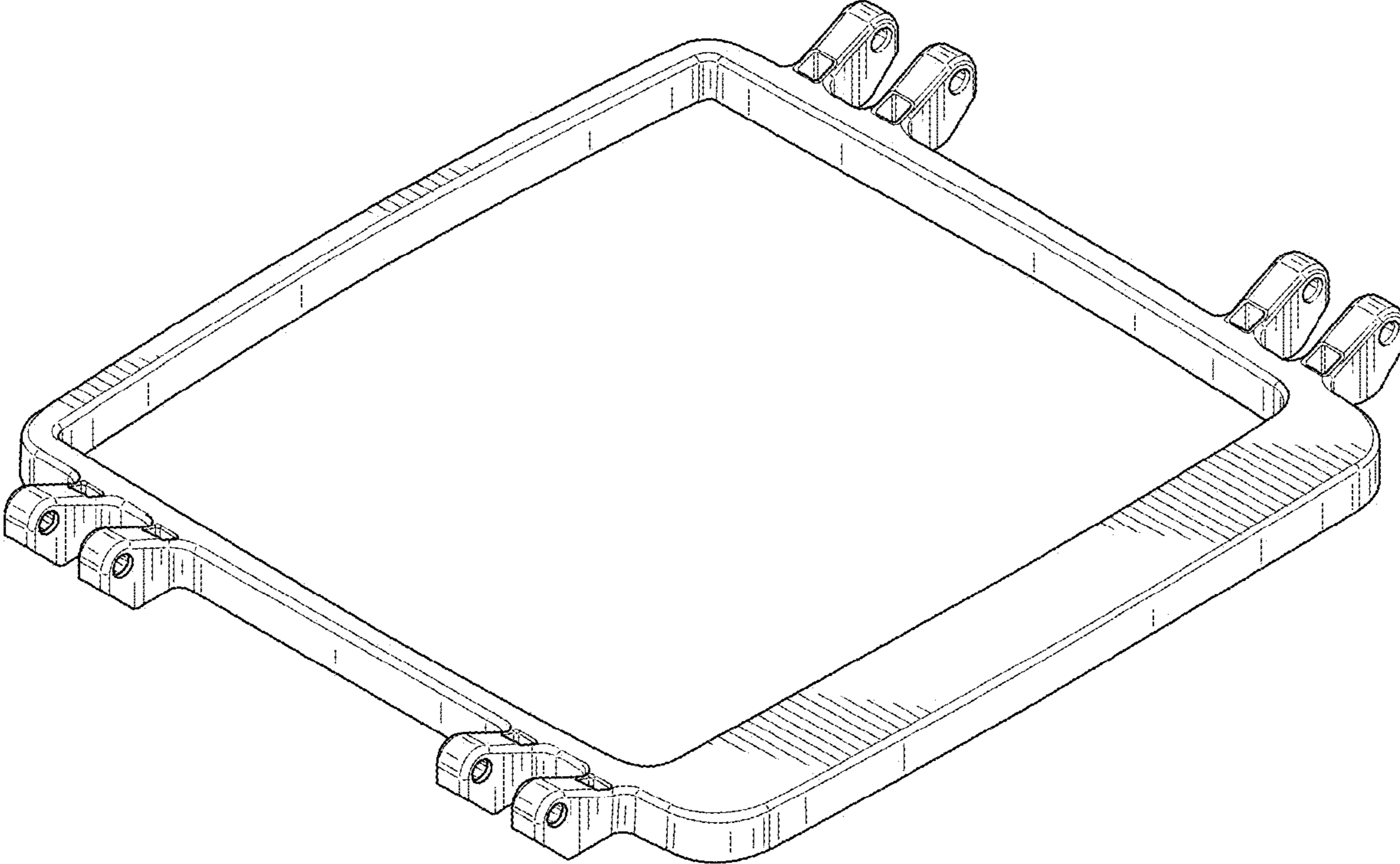


FIG. 1

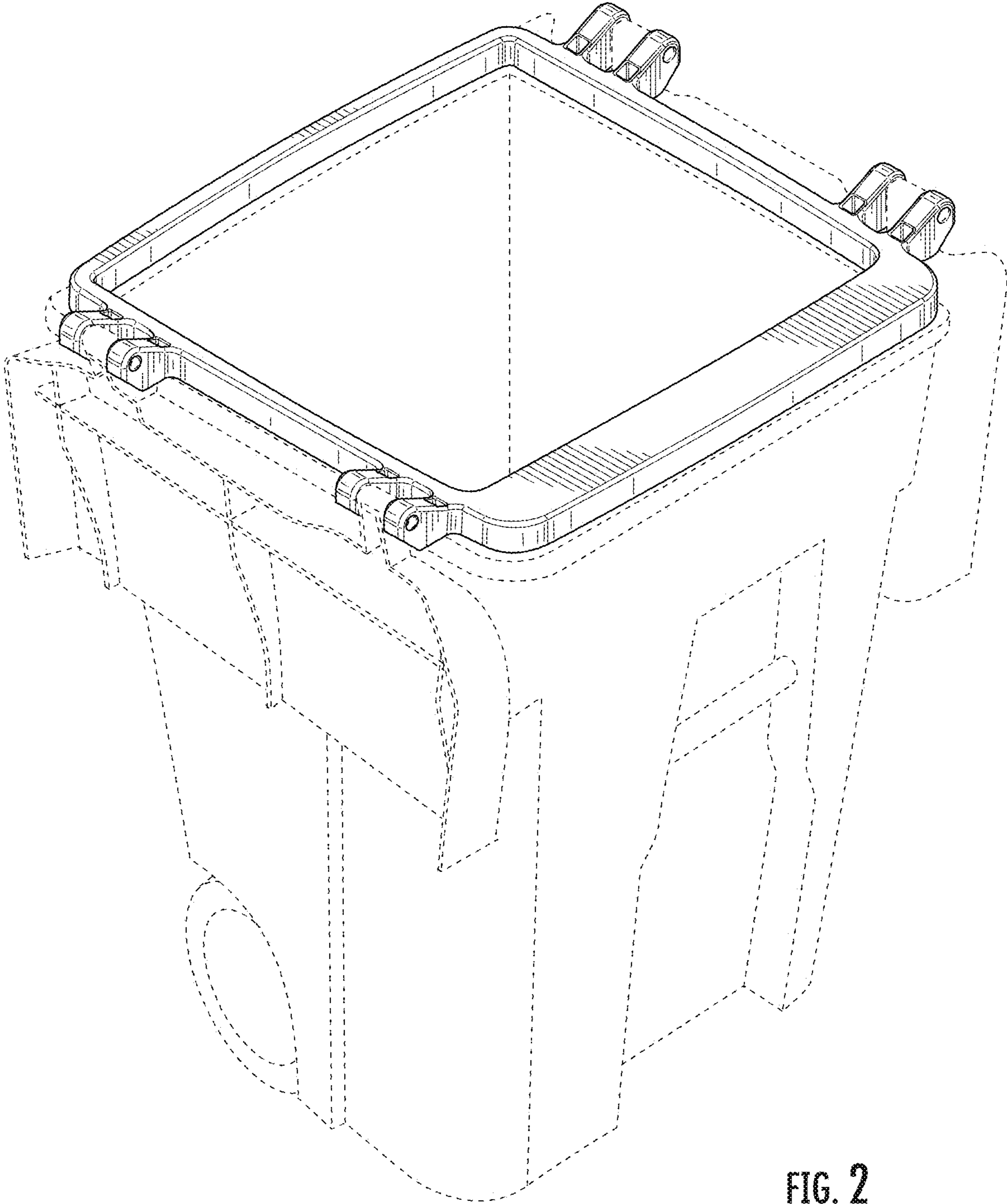


FIG. 2

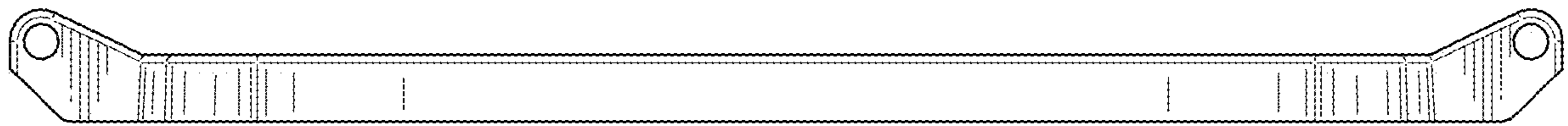


FIG. 3

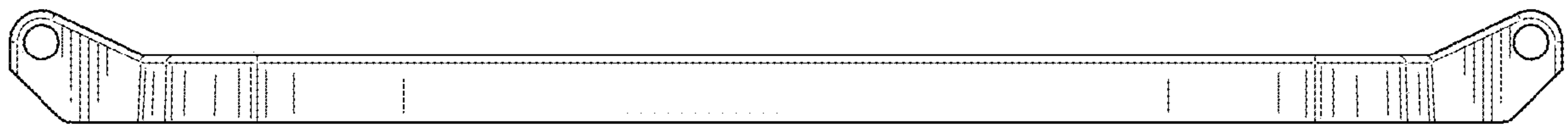


FIG. 4



FIG. 5

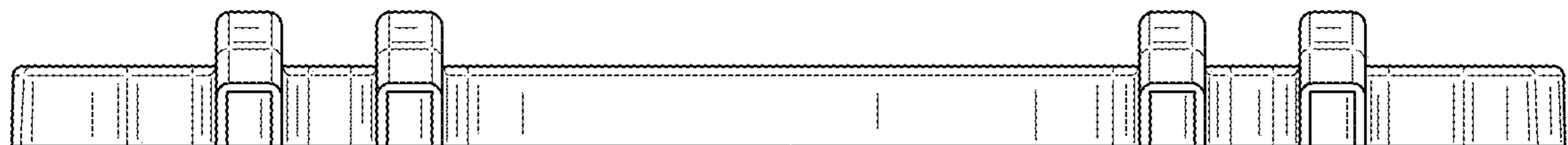


FIG. 6

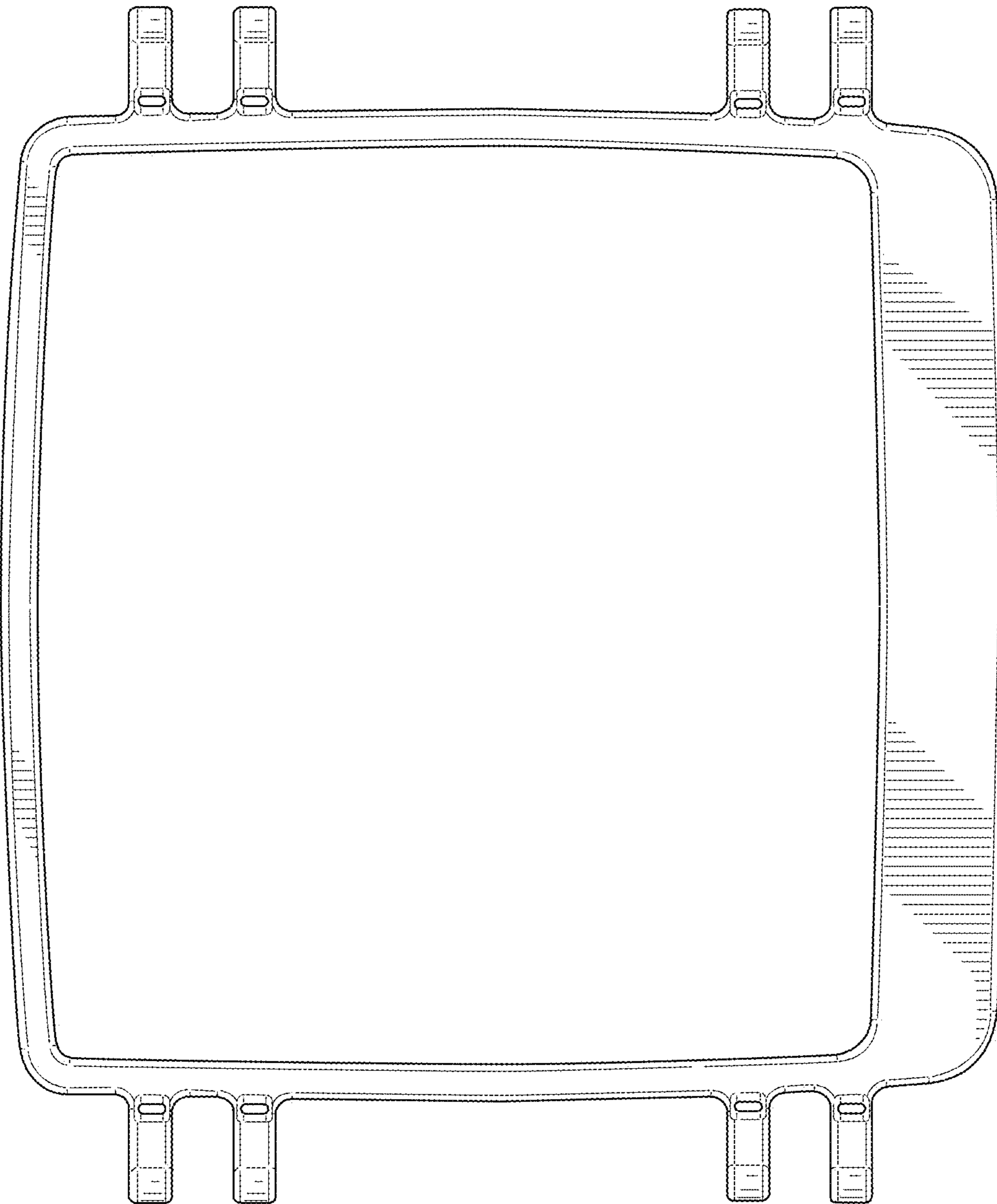


FIG. 7

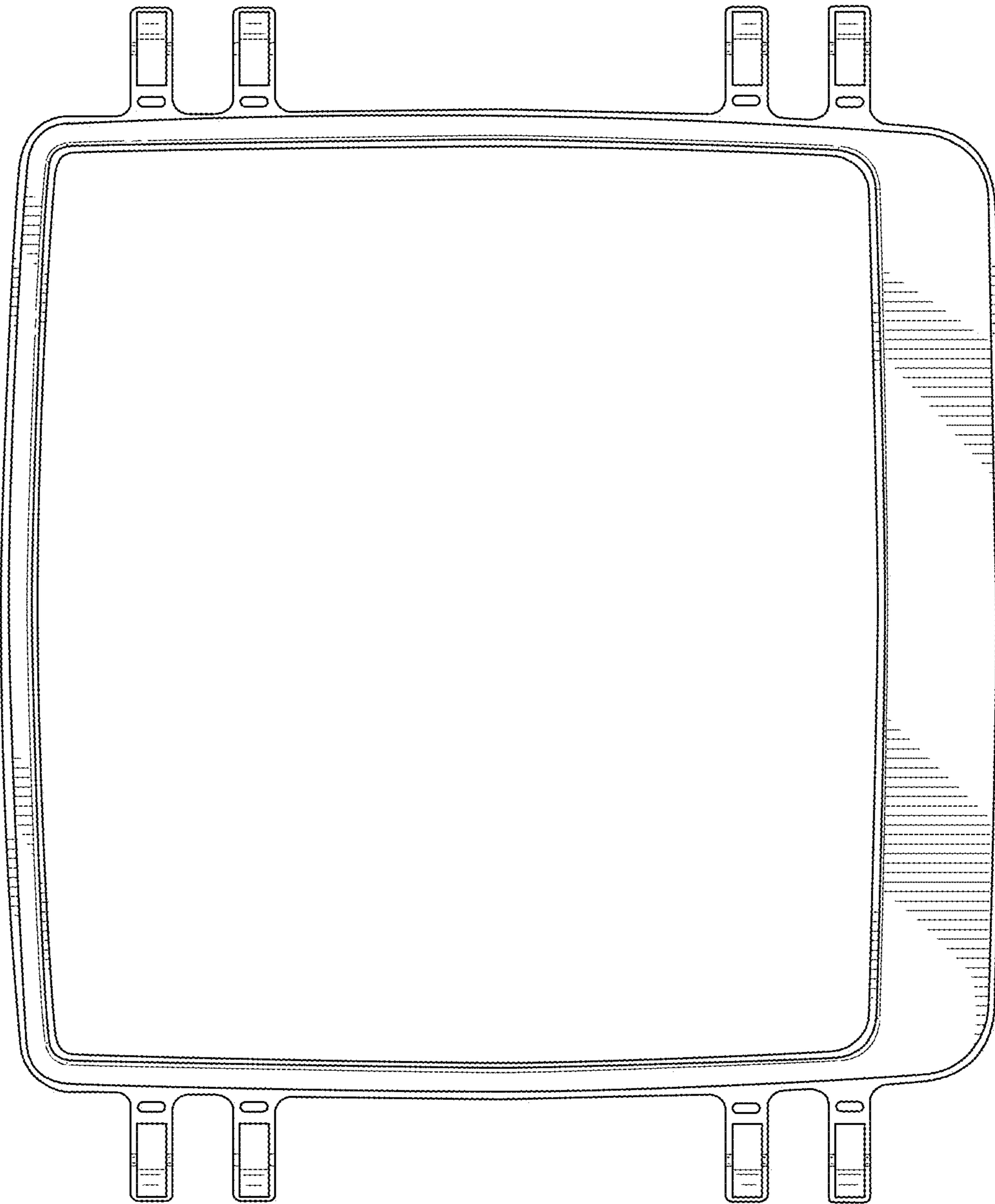


FIG. 8