



US00D963276S

(12) **United States Design Patent**  
**Huang**

(10) **Patent No.:** **US D963,276 S**

(45) **Date of Patent:** **\*\* Sep. 6, 2022**

(54) **WHETSTONE HOLDER**

(71) Applicant: **JIANGYIN DIAMOND TOOLS CO., LTD.**, Jiangyin (CN)

(72) Inventor: **Dongchen Huang**, Jiangsu (CN)

(\*\*) Term: **15 Years**

(21) Appl. No.: **29/771,565**

(22) Filed: **Feb. 24, 2021**

(51) **LOC (13) Cl.** ..... **07-05**

(52) **U.S. Cl.**  
USPC ..... **D32/58**

(58) **Field of Classification Search**  
USPC ..... D32/585, 276, 3; D6/510, 525;  
D30/133; 211/41.5, 41.4, 41.3, 41.8;  
312/311, 333, 334.4; D7/354, 629  
CPC .. A47L 15/505; A47L 15/503; A47L 15/0013;  
A47L 19/02; A47L 19/04; A47J 47/20  
See application file for complete search history.

(56) **References Cited**

**U.S. PATENT DOCUMENTS**

D355,288 S *	2/1995	Mallen	.....	D32/58
D394,926 S *	6/1998	Lindsay	.....	D6/552
D533,743 S *	12/2006	Eastman	.....	D6/552
D544,164 S *	6/2007	Hinkens	.....	D32/58
8,020,716 B2 *	9/2011	Vitale	.....	A47F 5/04
				211/205
D664,374 S *	7/2012	Capella	.....	D6/681.3
D675,845 S *	2/2013	Hukill	.....	D6/681.1
D683,096 S *	5/2013	Stumpo	.....	D32/58

D734,910 S *	7/2015	Ouyang	.....	D32/58
D753,940 S *	4/2016	Ruiz	.....	D6/681
D790,144 S *	6/2017	Kelly	.....	D32/58
D827,965 S *	9/2018	Barre	.....	D32/58
D861,276 S *	9/2019	McDonald	.....	D34/6
D933,922 S *	10/2021	Schouten	.....	D32/58
D944,483 S *	2/2022	Felsenthal	.....	D32/58

\* cited by examiner

*Primary Examiner* — Austin Murphy

(74) *Attorney, Agent, or Firm* — Rumit Ranjit Kanakia

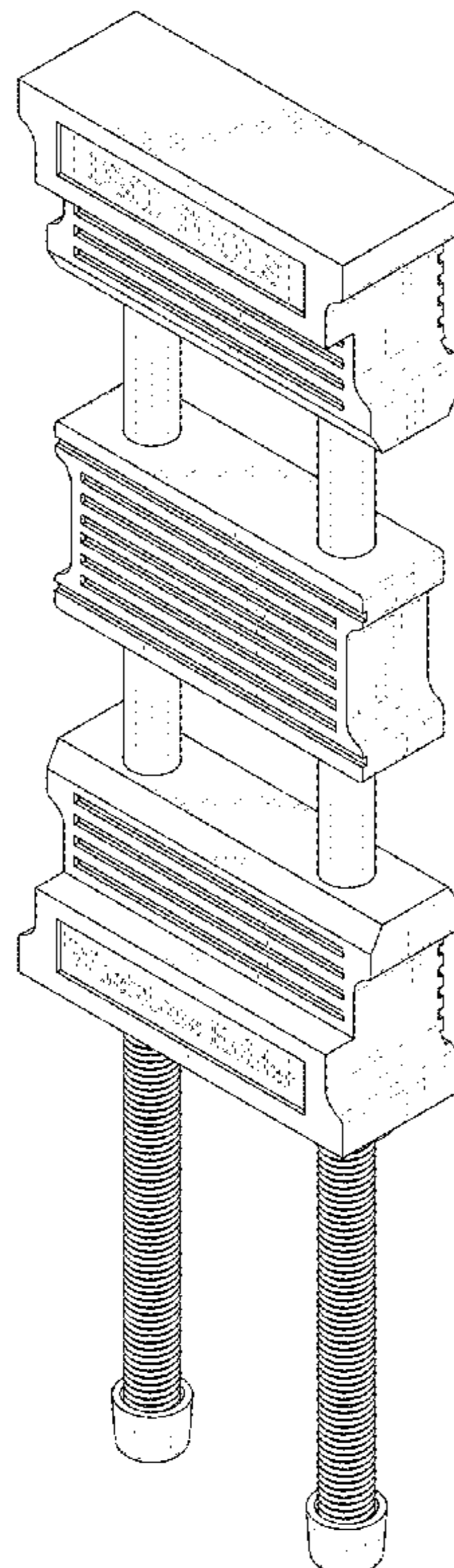
(57) **CLAIM**

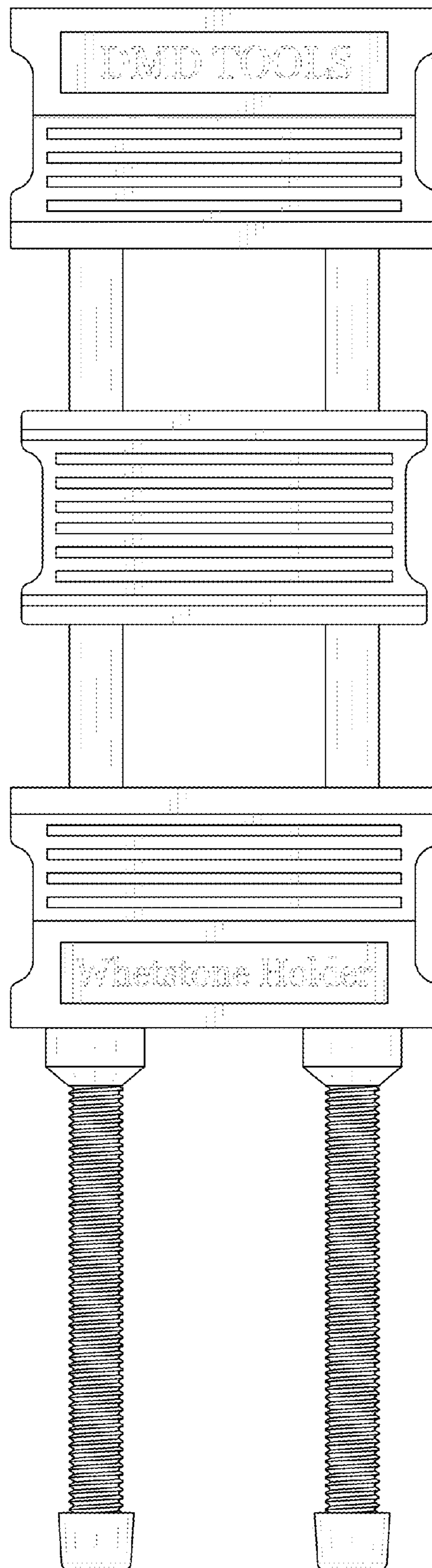
The ornamental design for a whetstone holder, as shown and described.

**DESCRIPTION**

FIG. 1 is a front view of a whetstone holder showing my new design;  
FIG. 2 is a rear view thereof;  
FIG. 3 is a left side view thereof;  
FIG. 4 is a right side view thereof;  
FIG. 5 is a top view thereof;  
FIG. 6 is a bottom view thereof;  
FIG. 7 is a perspective view of a whetstone holder showing my new design; and,  
FIG. 8 is another perspective view thereof.  
The broken lines in the figures are for the purposes of illustrating portions of the whetstone holder, which form no part of the claimed design.

**1 Claim, 8 Drawing Sheets**





*Fig. 1*

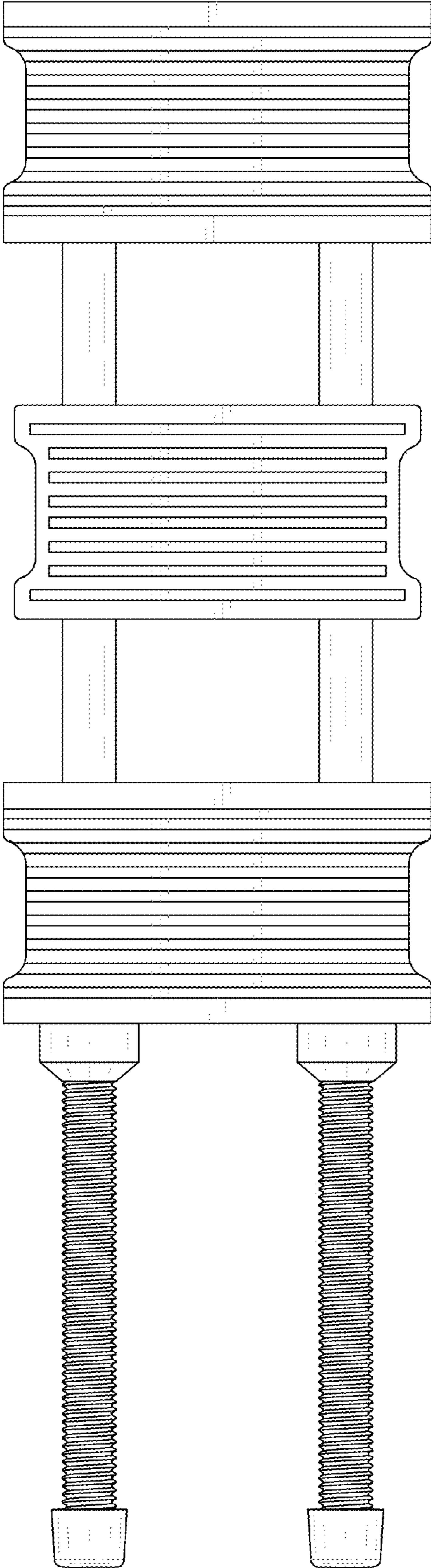
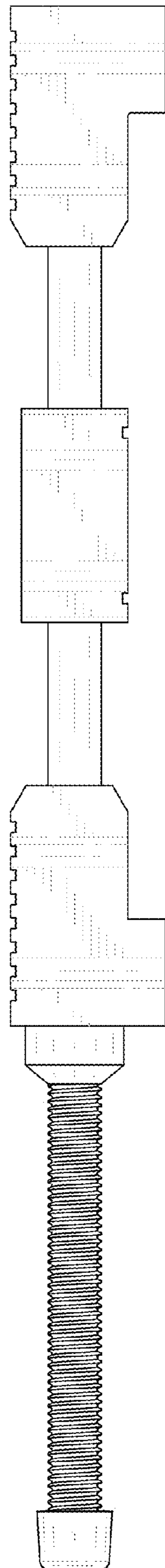


Fig. 2



*Fig.3*

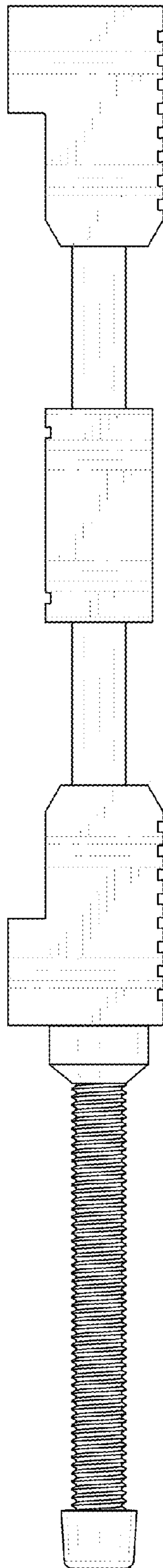
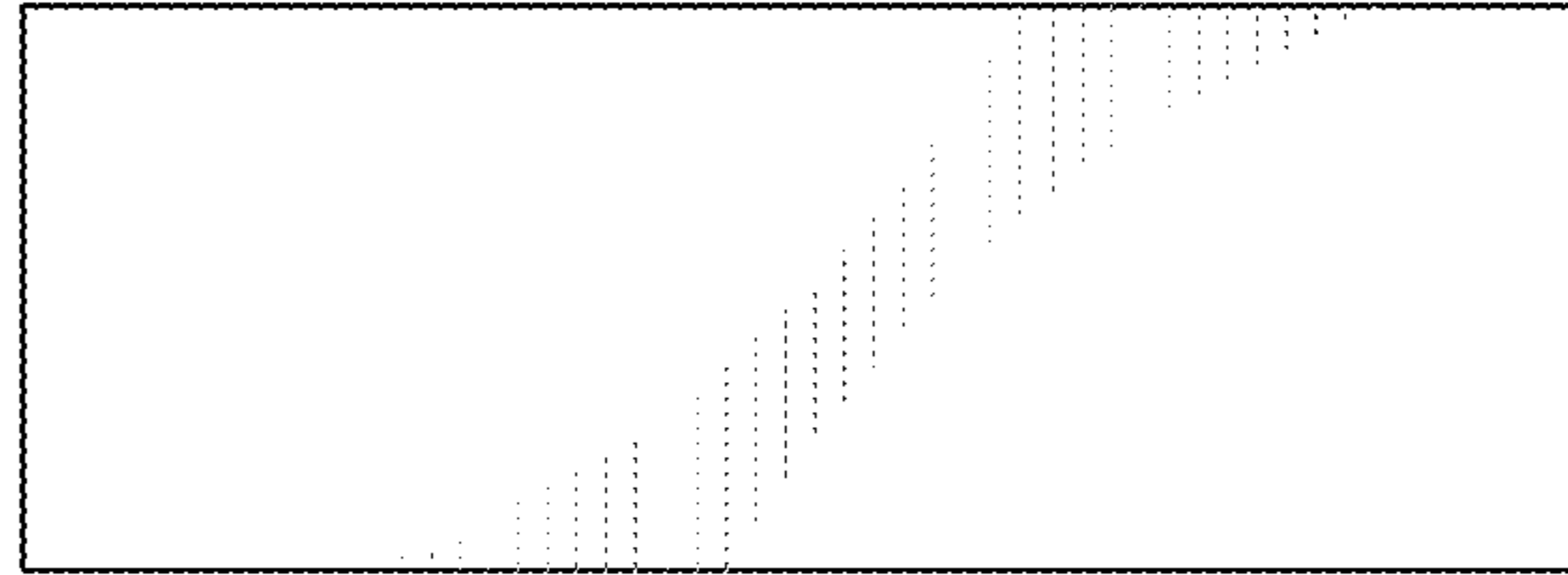
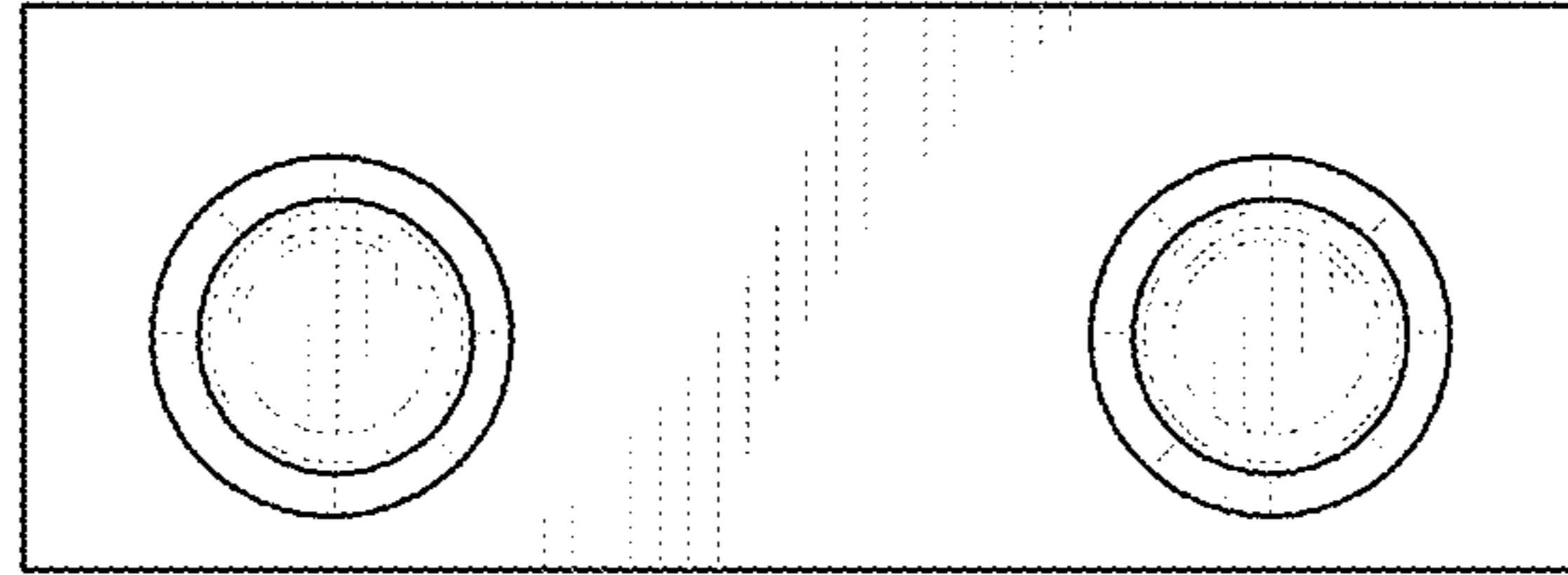


Fig. 4



*Fig.5*



*Fig.6*

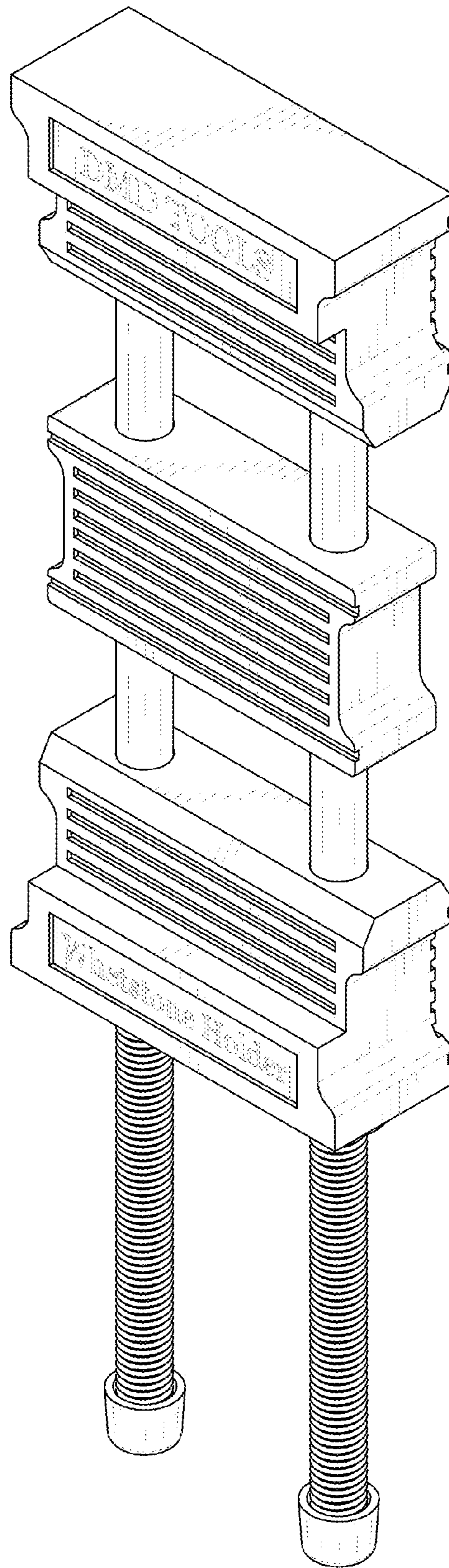
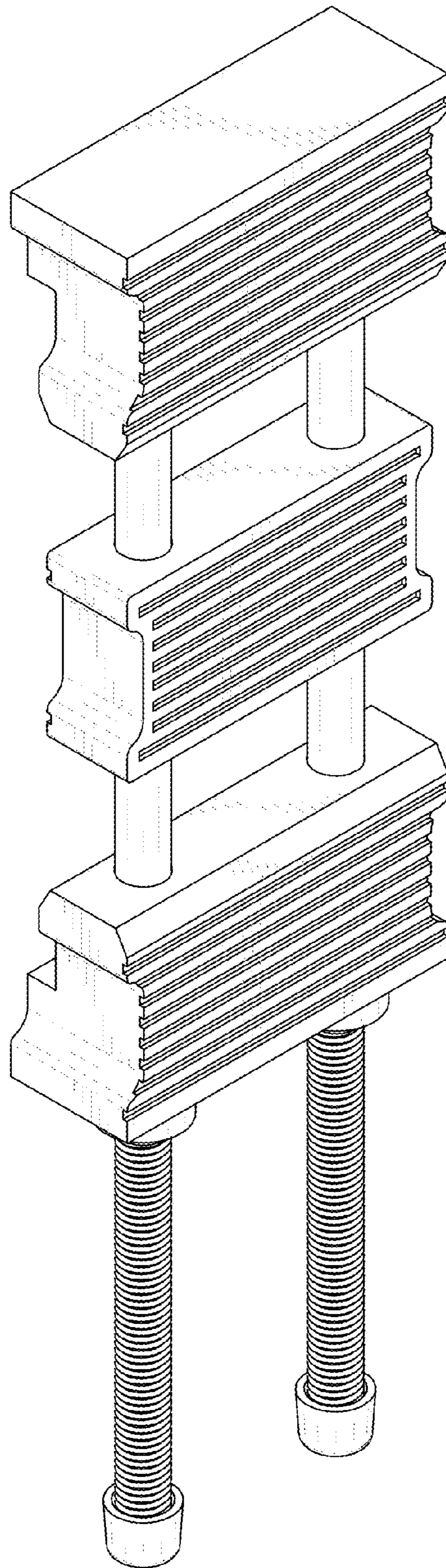


Fig. 7





*Fig. 8*