



US00D963273S

(12) **United States Design Patent**  
**Oh et al.**

(10) **Patent No.:** **US D963,273 S**  
(45) **Date of Patent:** **\*\* Sep. 6, 2022**

(54) **MOP BRUSH FOR CLEANER**

FOREIGN PATENT DOCUMENTS

(71) Applicant: **SAMSUNG ELECTRONICS CO., LTD.**, Suwon-si (KR)

CN 303395954 S 9/2015  
CN 112741571 A \* 5/2021

(Continued)

(72) Inventors: **Se-Wook Oh**, Suwon-si (KR);  
**Hyung-Sub Choi**, Suwon-si (KR)

OTHER PUBLICATIONS

(73) Assignee: **SAMSUNG ELECTRONICS CO., LTD.**, Gyeonggi-Do (KR)

[https://www.tryfloorpollicemop.com/?mid=11971005&vendor=google&campaignid=14645255683&adgroupid=127215319597&targetid=pla-293946777986&mt=&network=g&device=c&adid=545646540459&keyword=&adtype=pla&merchantid=495493388&productchannel=online&productid=FloorPolice-01&placement=&gclid=Cj0KCQjwjN-SBhCkARIsACsrBz6nDmvKw\\_Z.\\*](https://www.tryfloorpollicemop.com/?mid=11971005&vendor=google&campaignid=14645255683&adgroupid=127215319597&targetid=pla-293946777986&mt=&network=g&device=c&adid=545646540459&keyword=&adtype=pla&merchantid=495493388&productchannel=online&productid=FloorPolice-01&placement=&gclid=Cj0KCQjwjN-SBhCkARIsACsrBz6nDmvKw_Z.*)

(\*\*) Term: **15 Years**

(21) Appl. No.: **29/765,180**

Primary Examiner — John R Yeh

(22) Filed: **Jan. 6, 2021**

(74) Attorney, Agent, or Firm — Cantor Colburn LLP

(30) **Foreign Application Priority Data**

(57) **CLAIM**

Sep. 2, 2020 (KR) ..... 30-2020-0041533

The ornamental design for a mop brush for cleaner, as shown and described.

(51) **LOC (13) Cl.** ..... **15-05**

(52) **U.S. Cl.**  
USPC ..... **D32/45**

(58) **Field of Classification Search**  
USPC ..... D32/15-16, 31-32, 45, 50-52  
CPC ..... A47L 11/16; A47L 11/10; A47L 11/4038;  
A47L 11/4072

See application file for complete search history.

**DESCRIPTION**

(56) **References Cited**

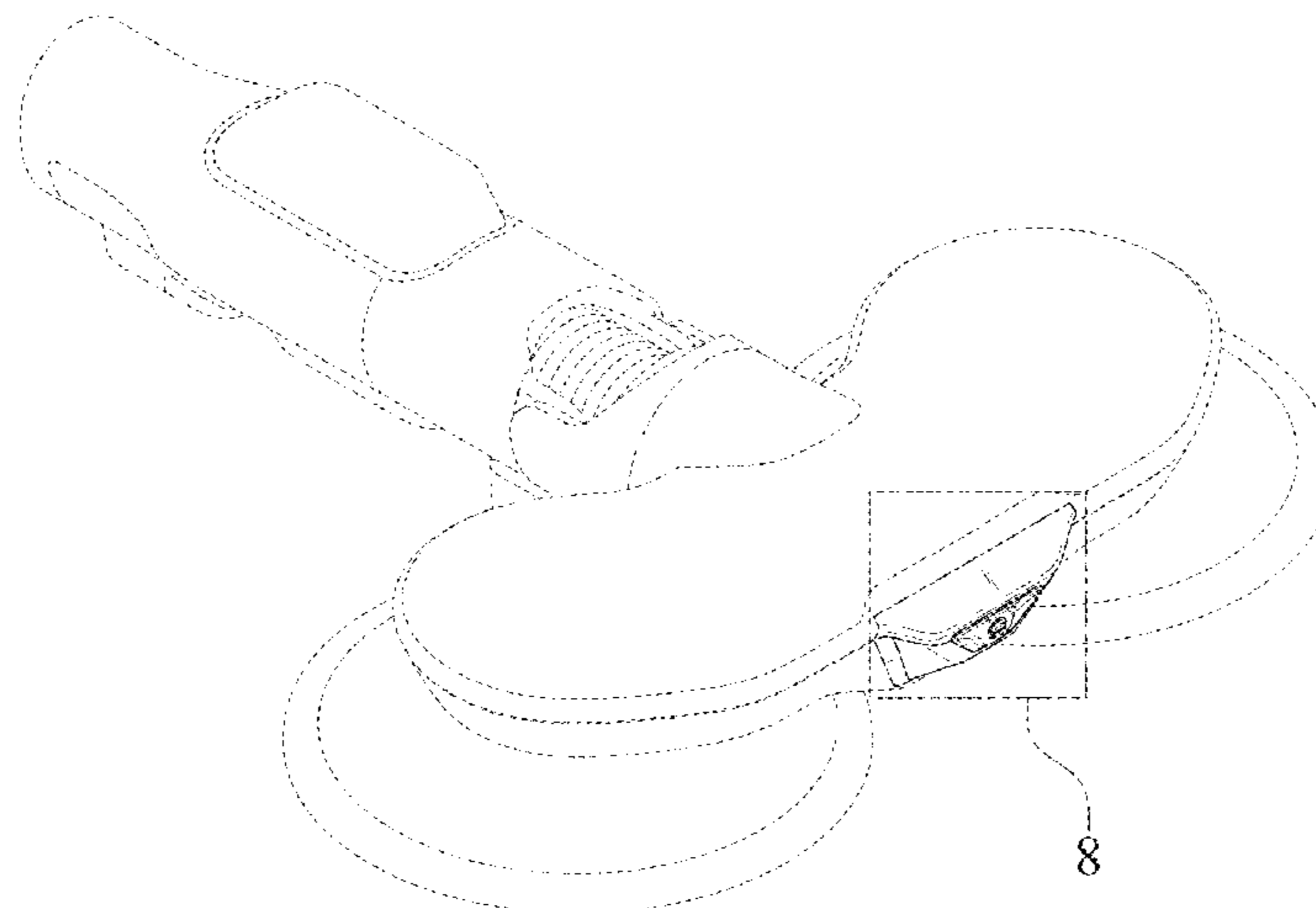
U.S. PATENT DOCUMENTS

D673,337 S \* 12/2012 Chow ..... D32/45  
D716,010 S \* 10/2014 Howard ..... D32/51  
D825,120 S \* 8/2018 Daniels ..... D32/16  
D838,420 S \* 1/2019 Khubani ..... D32/38  
D855,271 S \* 7/2019 Liang ..... D32/50  
D866,898 S \* 11/2019 Tao ..... D32/50  
D882,895 S \* 4/2020 Kim ..... D32/33  
D911,646 S \* 2/2021 DeBeck ..... D32/45  
D912,920 S \* 3/2021 Tao ..... D32/15

FIG. 1 is a front perspective view of a mop brush for cleaner, showing our new design;  
FIG. 2 is a front view thereof;  
FIG. 3 is a rear view thereof;  
FIG. 4 is a left-side view thereof;  
FIG. 5 is a right-side view thereof;  
FIG. 6 is a top view thereof;  
FIG. 7 is a bottom view thereof;  
FIG. 8 is an enlarged view of the portion "8" in FIG. 1;  
FIG. 9 is an enlarged view of the portion "9" in FIG. 2;  
FIG. 10 is an enlarged view of the portion "10" in FIG. 6;  
and,  
FIG. 11 is an enlarged view of the portion "11" in FIG. 7.  
The dot-dot-dash broken lines encircling enlargement portions of the design form no part of the claimed design.  
The dot-dash broken lines define the boundary of the claimed design and form no part thereof.

(Continued)

(Continued)



The evenly dashed broken lines illustrating portions of the mop brush for cleaner form no part of the claimed design.

**1 Claim, 11 Drawing Sheets**

(56) **References Cited**

U.S. PATENT DOCUMENTS

2004/0034953 A1\* 2/2004 Huang ..... A47L 11/4069  
15/98  
2005/0251941 A1\* 11/2005 Berhoff ..... A46B 17/02  
15/159.1  
2018/0035858 A1\* 2/2018 Jung ..... A47L 11/4061  
2018/0235425 A1\* 8/2018 Ding ..... A47L 11/4083  
2019/0328193 A1\* 10/2019 Yang ..... A47L 7/0009  
2021/0030229 A1\* 2/2021 Jang ..... A47L 11/4013

FOREIGN PATENT DOCUMENTS

CN 306512840 \* 5/2021  
CN 215457701 U \* 1/2022  
CN 307054761 \* 1/2022  
KR 300862743 S 7/2016  
KR 301015888 S 7/2019  
KR 301048284 S 2/2020  
KR 301065372 S 6/2020  
WO WO-2011005027 A2 \* 1/2011 ..... A47L 11/16

\* cited by examiner

FIG. 1

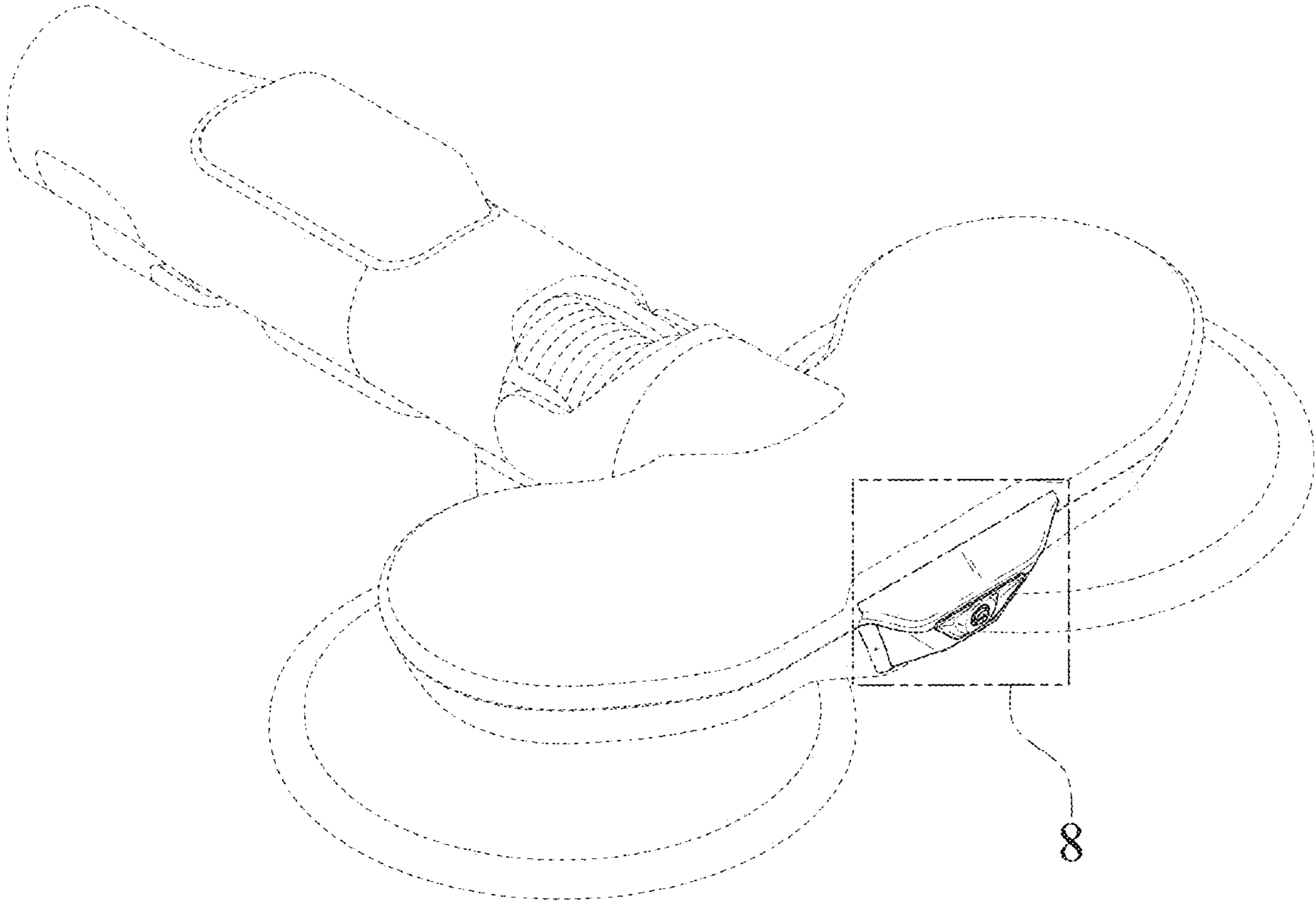


FIG. 2

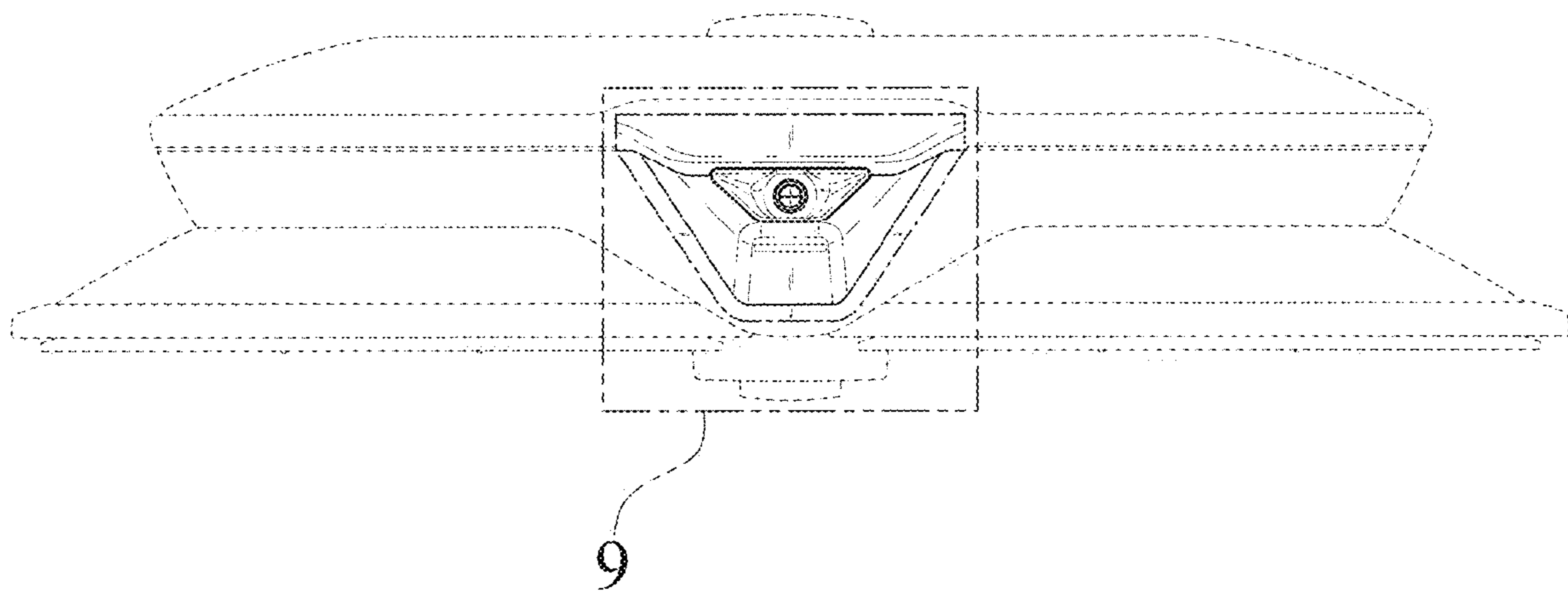


FIG. 3

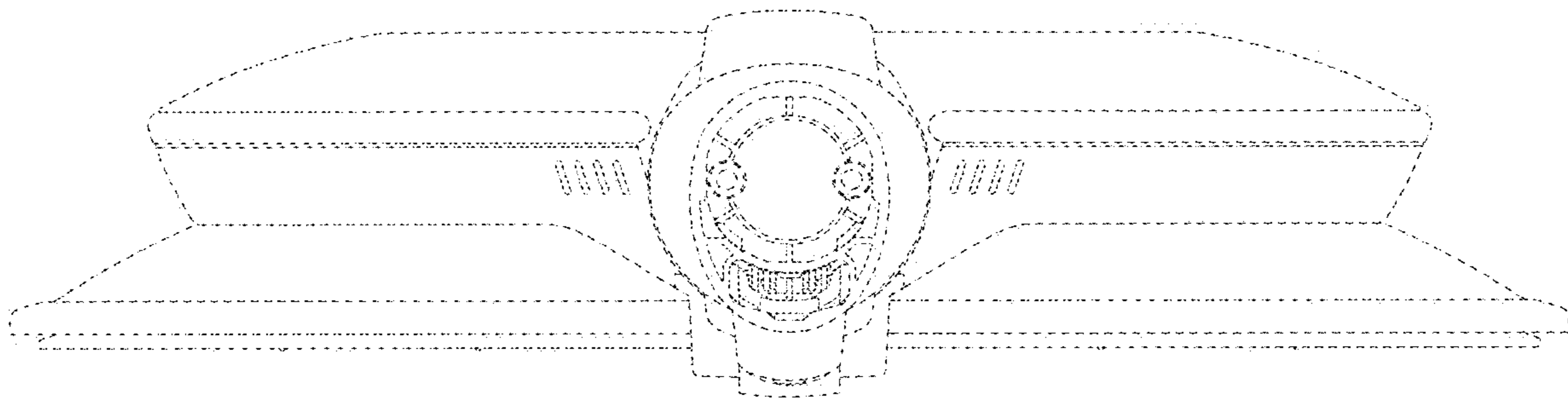


FIG. 4

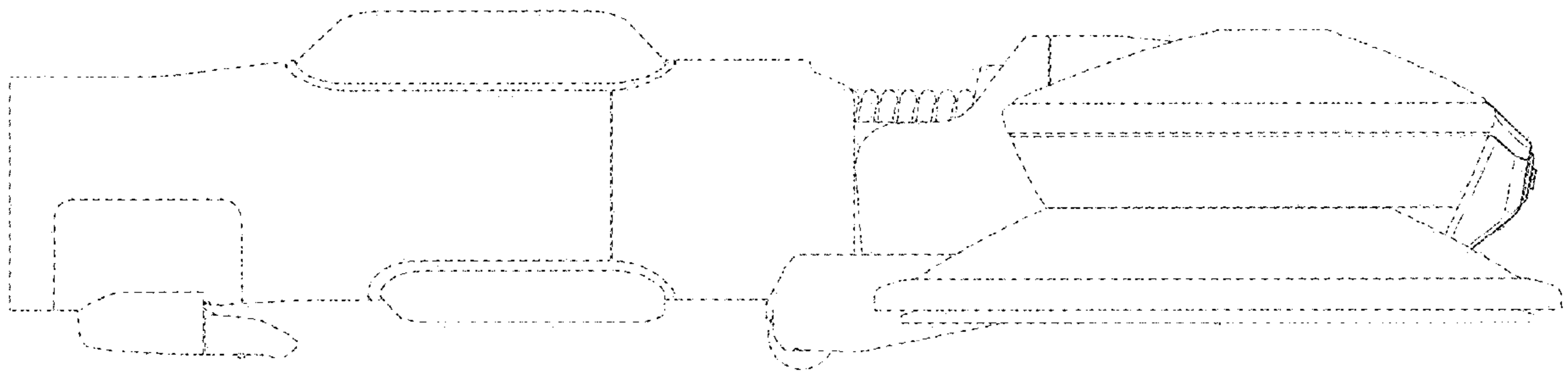


FIG. 5

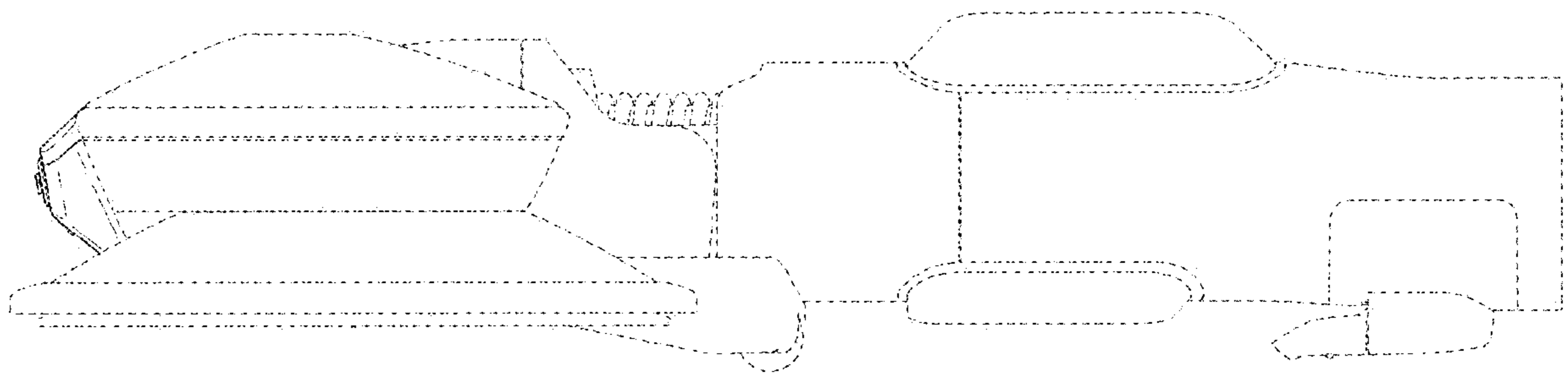


FIG. 6

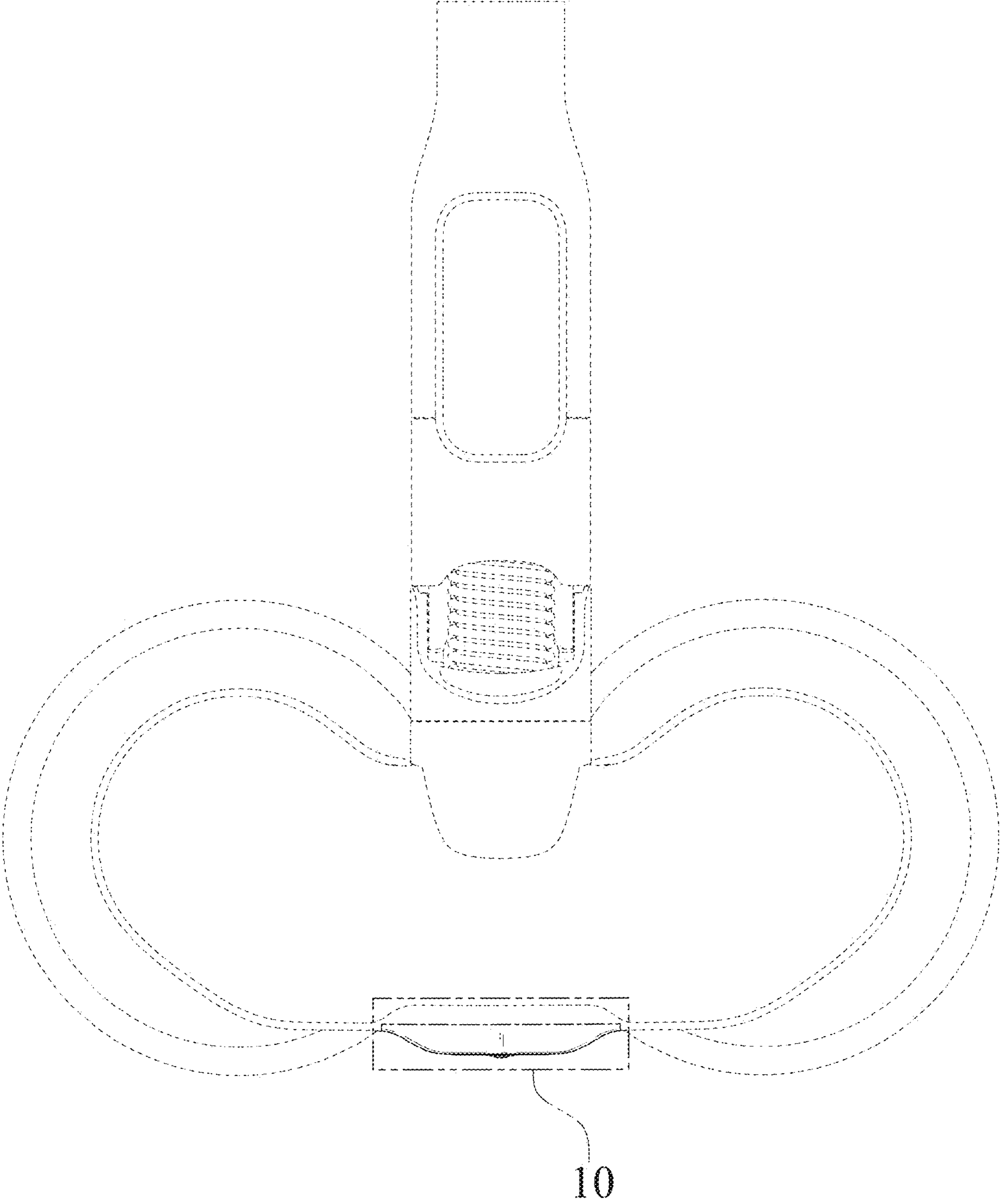




FIG. 7

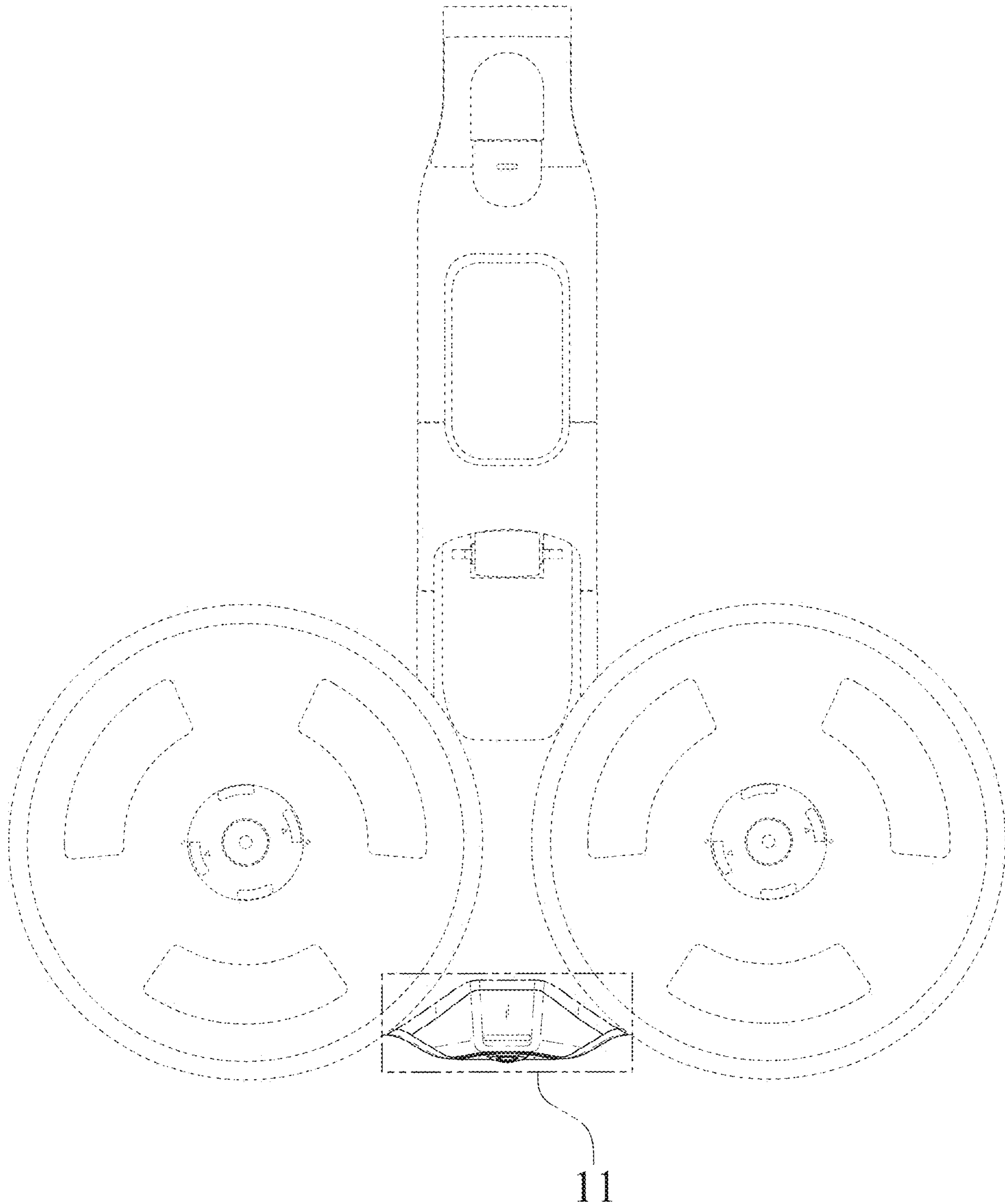


FIG. 8

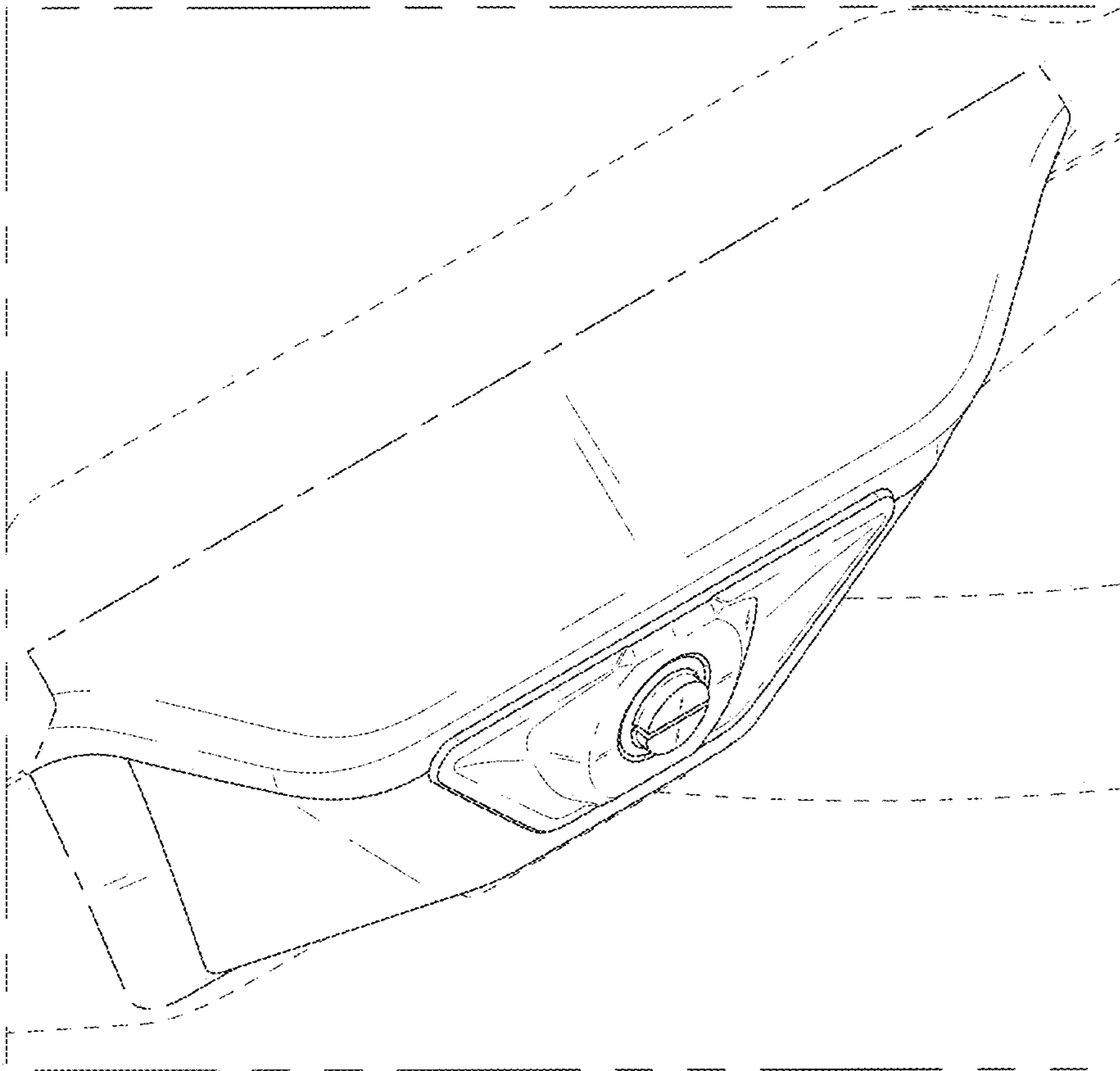


FIG. 9

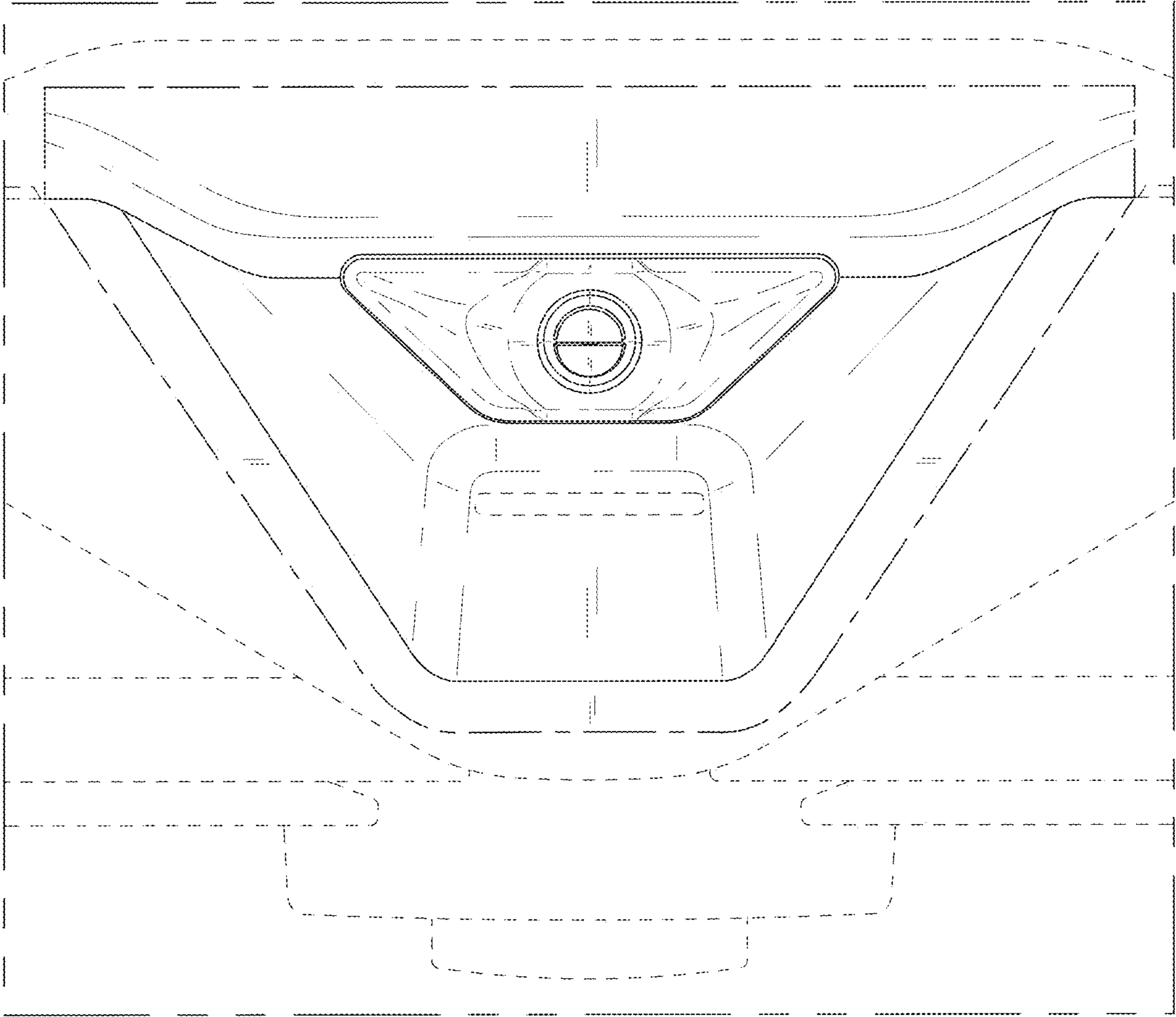


FIG. 10

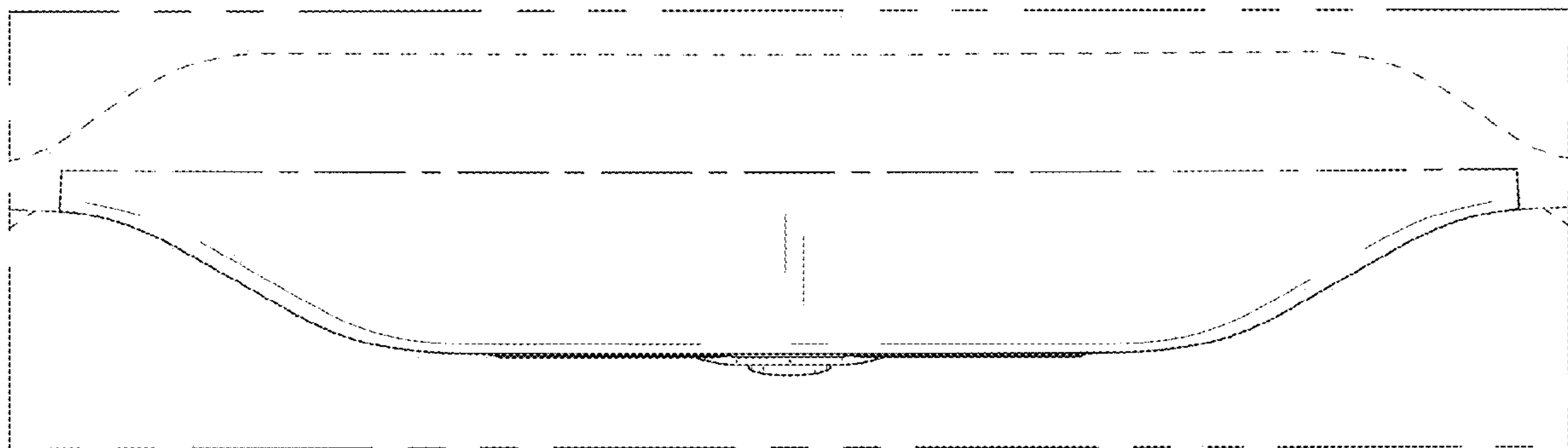


FIG. 11

