



US00D963272S

(12) **United States Design Patent** (10) **Patent No.:** **US D963,272 S**
Stone (45) **Date of Patent:** **** Sep. 6, 2022**

(54) **WATER SPILL MANAGEMENT APPARATUS**

FOREIGN PATENT DOCUMENTS

(71) Applicant: **Brenda Stone**, Los Angeles, CA (US)

CN 304465275 * 1/2018

(72) Inventor: **Brenda Stone**, Los Angeles, CA (US)

OTHER PUBLICATIONS

(**) Term: **15 Years**

https://www.amazon.com/KINMINGZHU-Pieces-Pre-Filter-Accessories-Aquarium/dp/B08155GQVJ/ref=asc_df_B08155GQVJ/?tag=hyprod-20&linkCode=df0&hvadid=533301816927&hvpos=&hvnetw=g&hvrand=1663922943705071362&hvpone=&hvptwo=&hvqmt=&hvdev=c&hvdvcmdl=&hvlocint=&hvlocphy=1027019&hvtargid=pla-1415160534892&psc=1.*
https://www.amazon.com/Deluxe-Floating-Noodles-Swimming-Assorted/dp/B089Y8JGWT.*

(21) Appl. No.: **29/703,627**

(22) Filed: **Aug. 28, 2019**

(51) **LOC (13) Cl.** **07-05**

(52) **U.S. Cl.**
USPC **D32/40**

(58) **Field of Classification Search**
USPC D32/40-43, 45-49
CPC A47L 11/4041; A47L 11/292
See application file for complete search history.

Primary Examiner — John R Yeh

(56) **References Cited**

(57) **CLAIM**

The ornamental design for a water spill management apparatus, as shown and described.

U.S. PATENT DOCUMENTS

DESCRIPTION

3,221,354	A *	12/1965	Noyes	A47L 13/38
					15/118
4,120,068	A *	10/1978	Kaczmarek	A46B 9/02
					15/160
D283,953	S *	5/1986	Jacobson	D4/122
D294,886	S *	3/1988	Lee	15/160
4,788,788	A *	12/1988	Brockett	A01K 97/02
					43/44.99
D332,331	S *	1/1993	Hansen	D32/41
D349,794	S *	8/1994	Hayes, Jr.	D28/63
D354,626	S *	1/1995	Hurwitz	D32/42
D356,443	S *	3/1995	Willis	D32/42
D362,092	S *	9/1995	Wasak	D32/40
5,634,841	A *	6/1997	Gold	B24D 15/023
					451/434
5,806,128	A *	9/1998	Love	A47L 1/15
					15/235
6,067,686	A *	5/2000	Gronkiewicz	B60S 3/042
					15/244.4
6,149,564	A *	11/2000	Nozawa	B29C 44/005
					264/46.7
D721,862	S *	1/2015	Aust	D32/40
D901,802	S *	11/2020	Taub	D32/40
D939,165	S *	12/2021	DeFrank	D32/40

FIG. 1 is a front-top-right perspective view of a water spill management apparatus in a closed configuration, showing my new design;
FIG. 2 is a rear-bottom-left perspective view thereof;
FIG. 3 is a front elevational view of the present invention, showing the plane upon which a cross sectional view is taken as shown in FIG. 4.
FIG. 4 is a longitudinal cross-sectional view taken along line 4-4 in FIG. 3.
FIG. 5 is a front elevation view of the present invention, showing the plane upon which a cross sectional view is taken shown in FIG. 6.
FIG. 6 is an enlarged transversal cross-sectional view taken along line 6-6 in FIG. 5.
FIG. 7 is a rear elevational view thereof;
FIG. 8 is a top plan view thereof;
FIG. 9 is a bottom view thereof;
FIG. 10 is an enlarged right-side elevational view thereof, where the right elevational view is identical thereto; and,

(Continued)

(Continued)

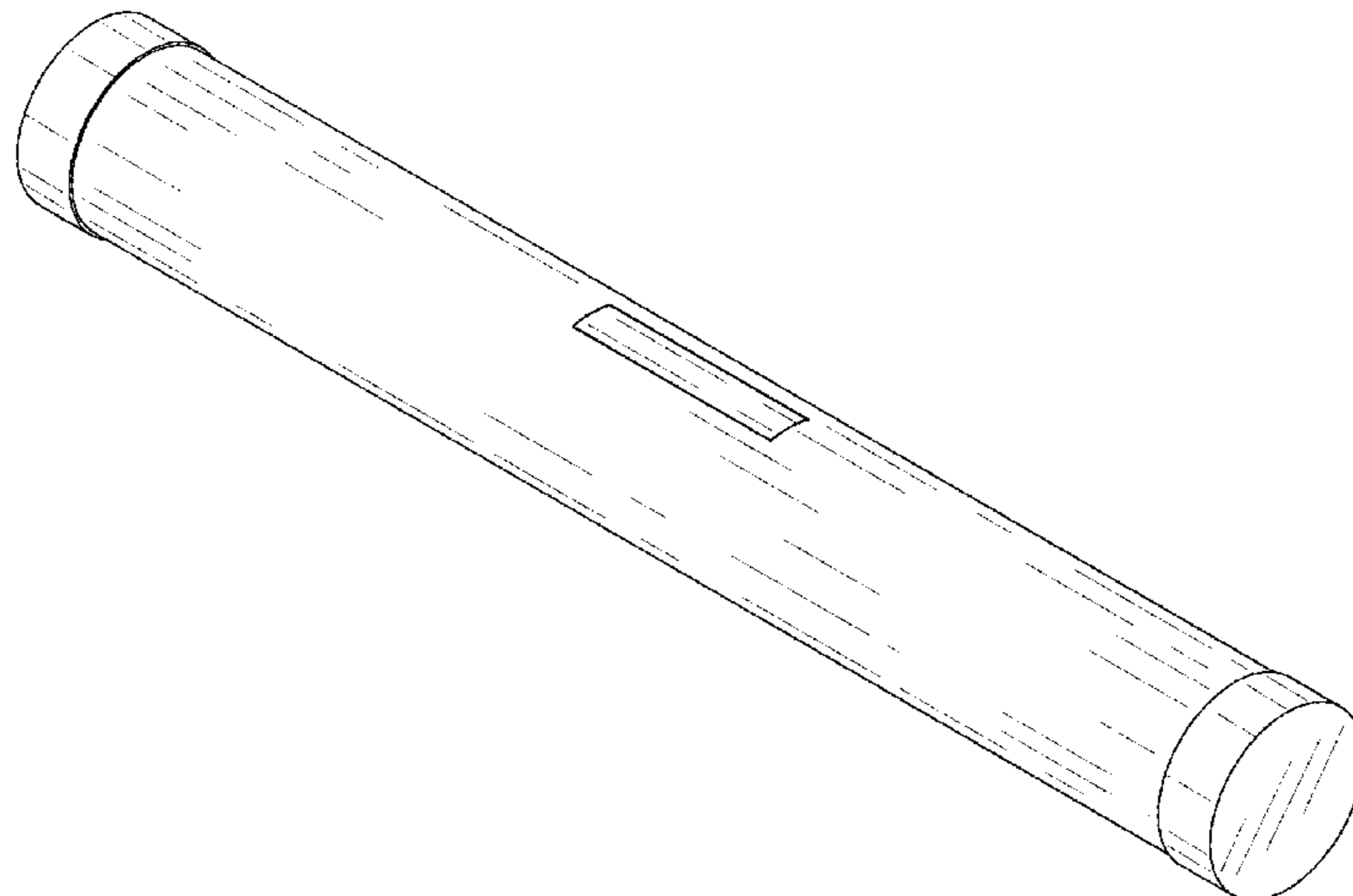


FIG. 11 is a front-top-right perspective view of the water spill management apparatus in an opened configuration.

1 Claim, 11 Drawing Sheets

(56) **References Cited**

U.S. PATENT DOCUMENTS

2012/0115401 A1* 5/2012 Lombard A47L 11/292
451/353
2019/0268685 A1* 8/2019 Kawakami H04R 1/083
2022/0048799 A1* 2/2022 Zhang C02F 3/2806

* cited by examiner

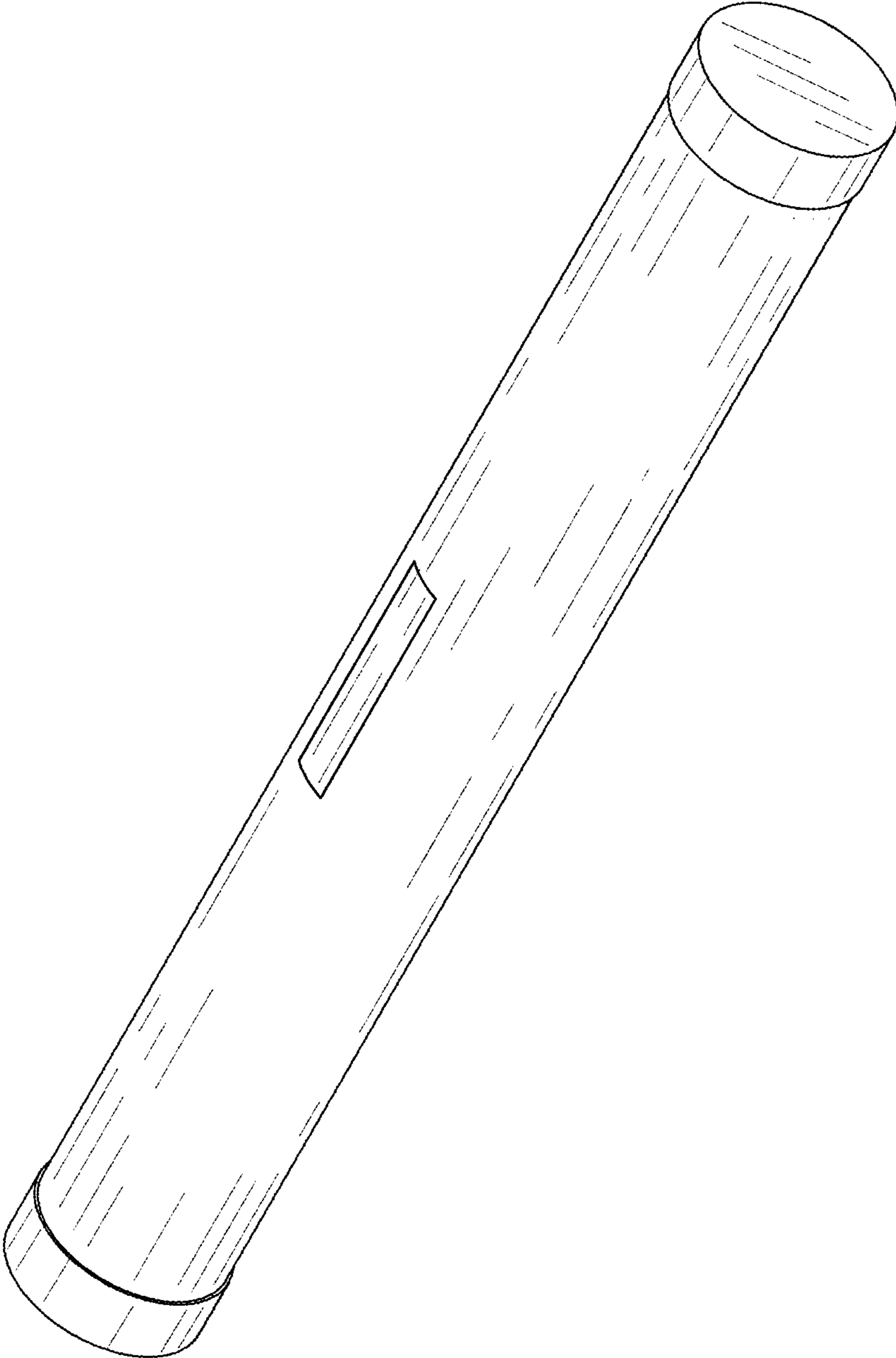


FIG. 1

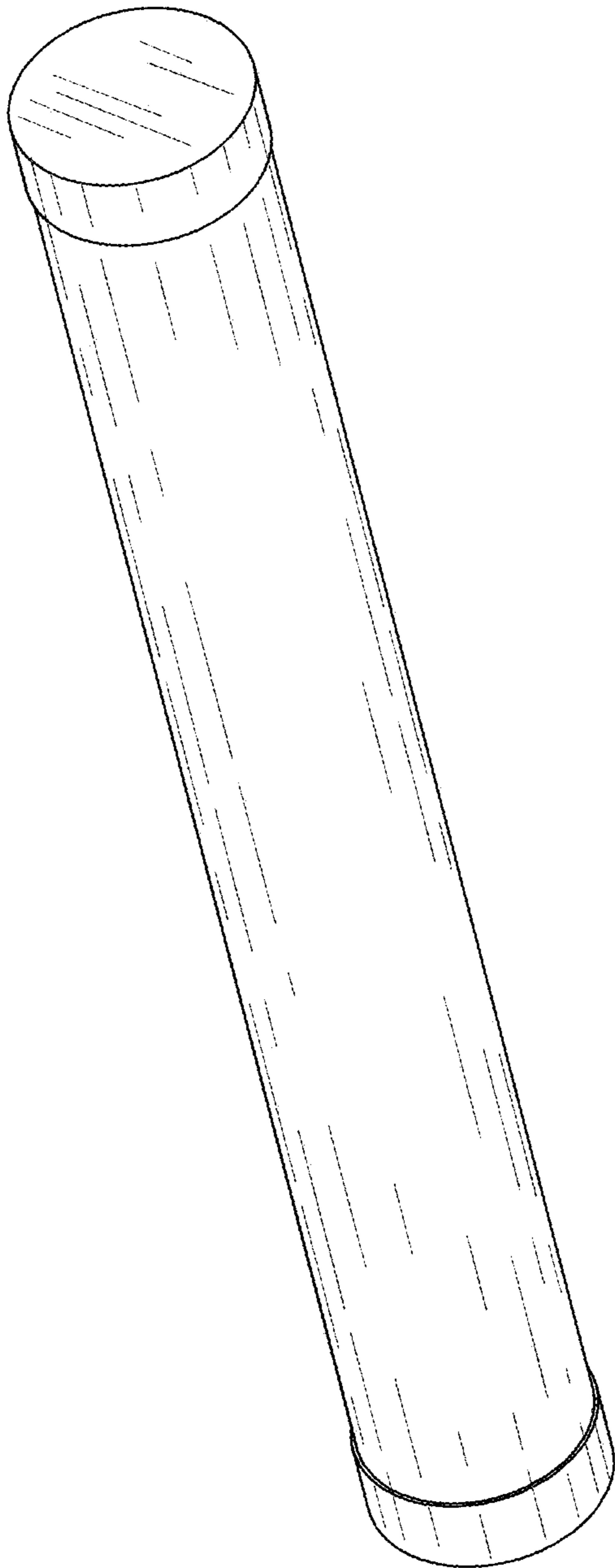


FIG. 2

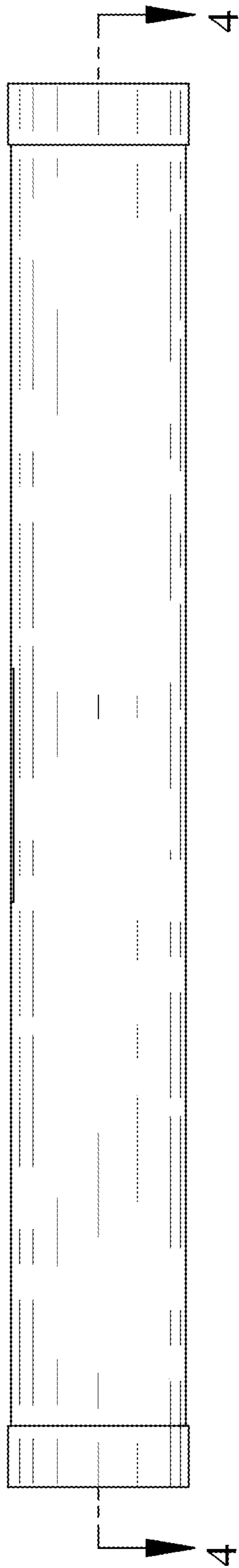


FIG. 3

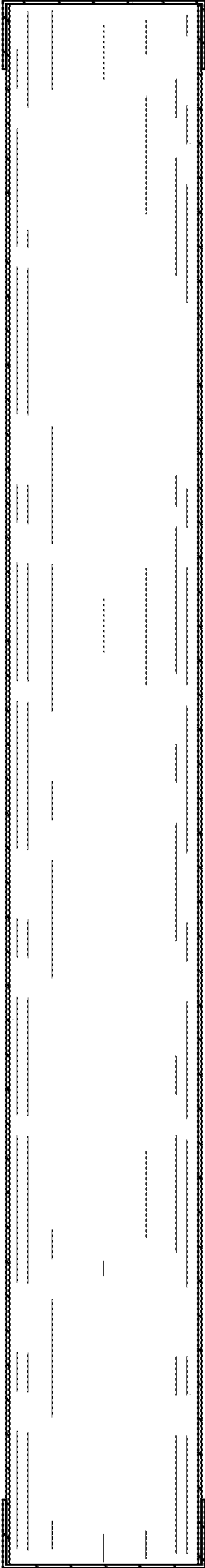


FIG. 4

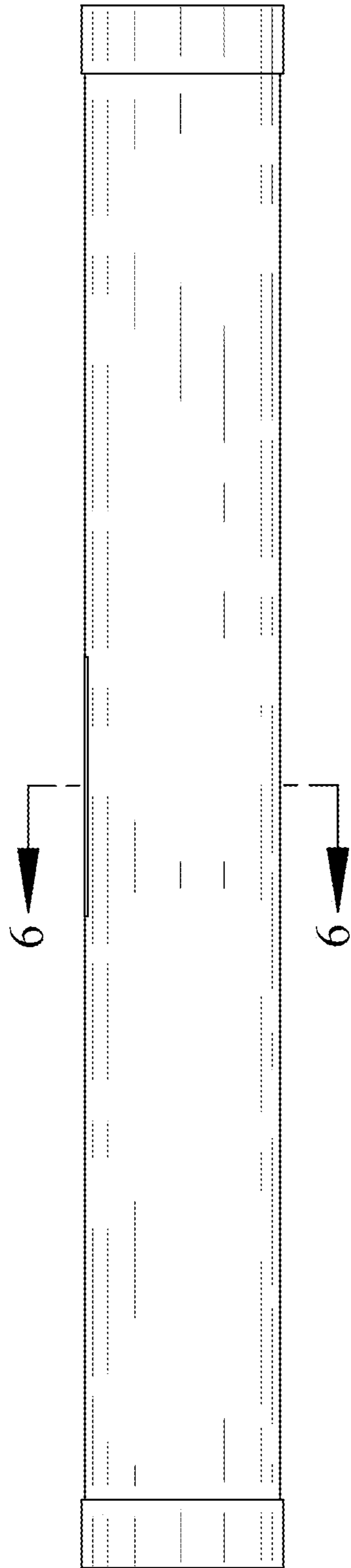


FIG. 5

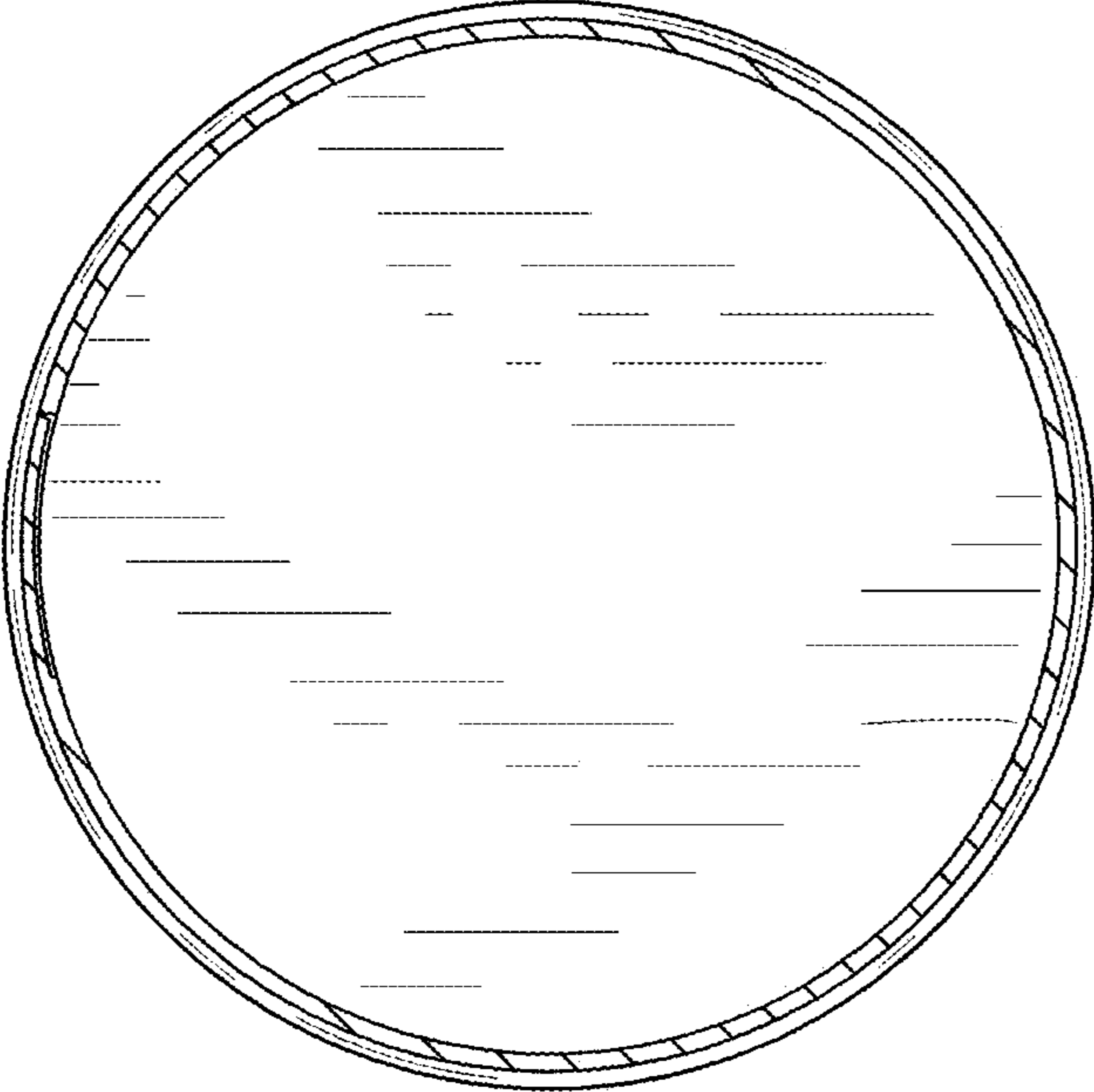


FIG. 6

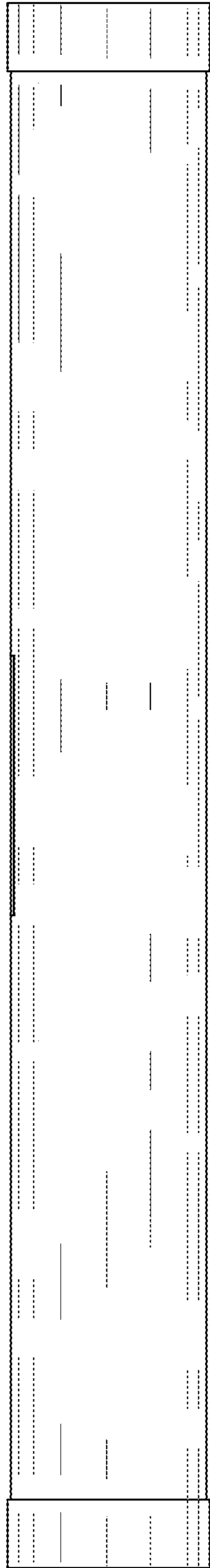


FIG. 7

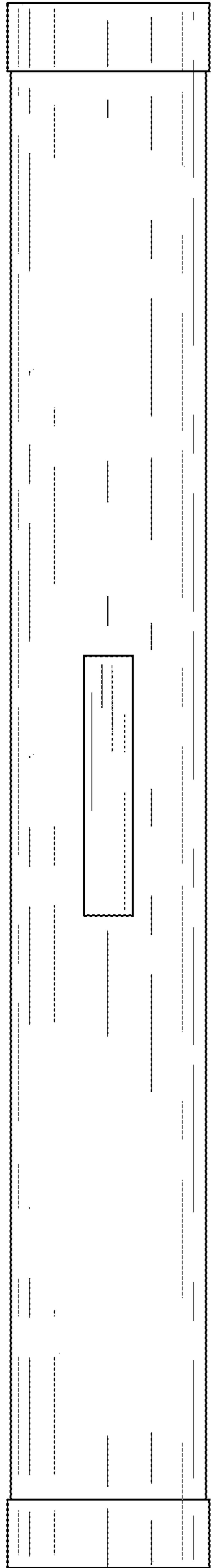


FIG. 8

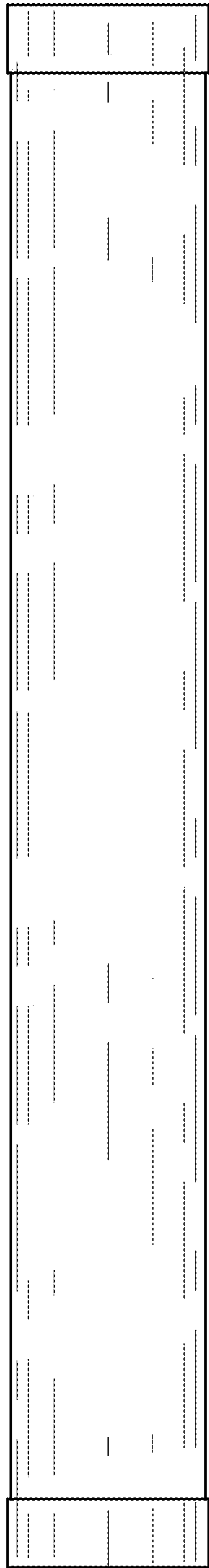


FIG. 9

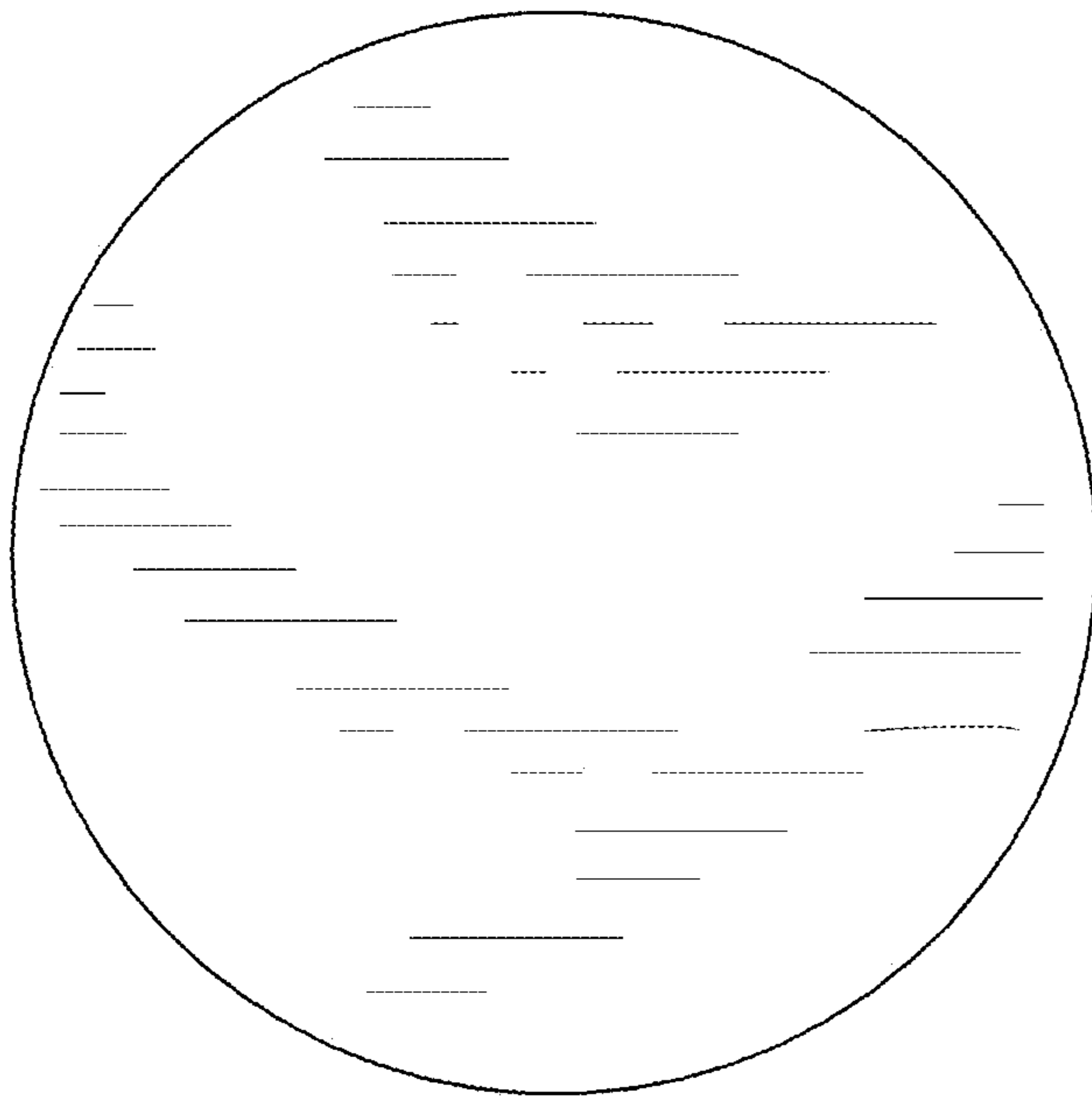


FIG. 10

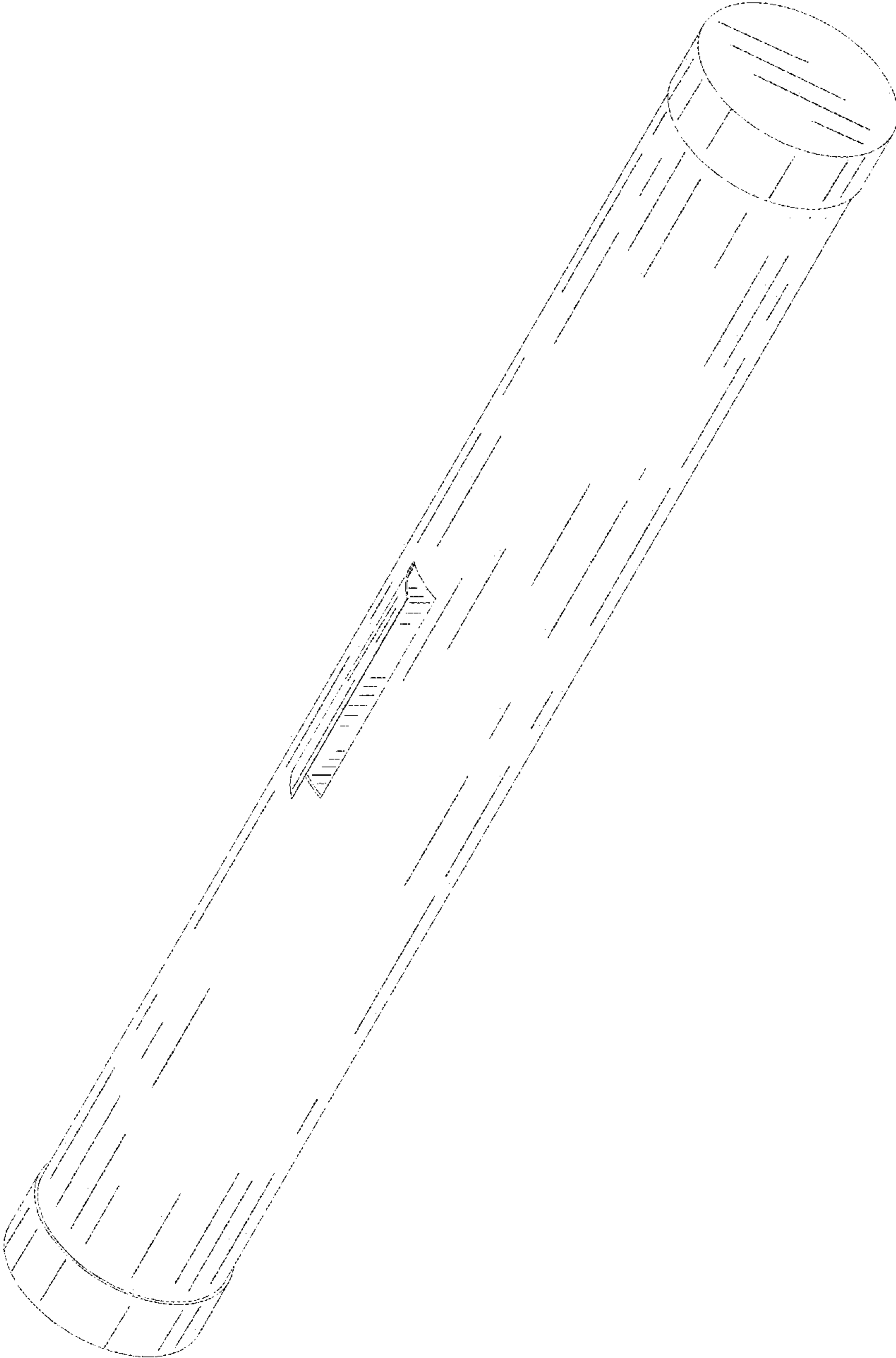


FIG. 11