



US00D963270S

(12) **United States Design Patent** (10) **Patent No.:** **US D963,270 S**
Algar et al. (45) **Date of Patent:** **** Sep. 6, 2022**

(54) **VACUUM CLEANER WAND**

(71) Applicant: **Dyson Technology Limited**, Wiltshire (GB)

(72) Inventors: **Courtney Algar**, Bristol (GB); **Ying Yeung Cheung**, Bristol (GB)

(73) Assignee: **Dyson Technology Limited**, Malmesbury (GB)

(**) Term: **15 Years**

(21) Appl. No.: **29/731,990**

(22) Filed: **Apr. 20, 2020**

(30) **Foreign Application Priority Data**

Oct. 24, 2019 (EM) 007080882-0001

(51) **LOC (13) Cl.** **15-05**

(52) **U.S. Cl.**
USPC **D32/31**

(58) **Field of Classification Search**

USPC ... D32/14-15, 17-19, 21-23, 25, 31-35, 38, D32/45, 49, 51-52; D8/51, 70, 80-81, D8/307; D9/711; D10/114.1, 114.9; D21/402; D23/213, 223-224, 226, 266; D24/108

CPC . A46B 11/063; A47L 5/28; A47L 5/34; A47L 5/36; A47L 5/365; A47L 9/02; A47L 9/127; A47L 9/24; A47L 9/242; A47L 9/244; A47L 9/248; A47L 9/327; A47L 11/30; A47L 11/40; A47L 11/4075; B08B 9/02; E03C 1/306; F16B 7/00; F16B 7/10; F16B 7/105; F16B 7/14; F16L 27/12

See application file for complete search history.

(56) **References Cited**

U.S. PATENT DOCUMENTS

D217,285 S * 4/1970 Anderson D32/31
D453,866 S * 2/2002 Nighy D32/31
D480,848 S * 10/2003 Smith D32/31
D610,760 S * 2/2010 Zugen D32/31

(Continued)

FOREIGN PATENT DOCUMENTS

CN 305997250 * 8/2020
JP D0792670 * 7/2017

(Continued)

OTHER PUBLICATIONS

4YourHome Extension Wand, available in Amazon.com, date first available Oct. 16, 2014 [online], [site visited Jan. 12, 2022], Available from the internet URL: <https://www.amazon.com/Extension-Animal-Exclusive-Origin-Models/dp/B00YTU1CYU> (Year: 2014).*

(Continued)

Primary Examiner — Amy C Wierenga

Assistant Examiner — Jennylou M Binas

(74) *Attorney, Agent, or Firm* — Faegre Drinker Biddle & Reath LLP

(57) **CLAIM**

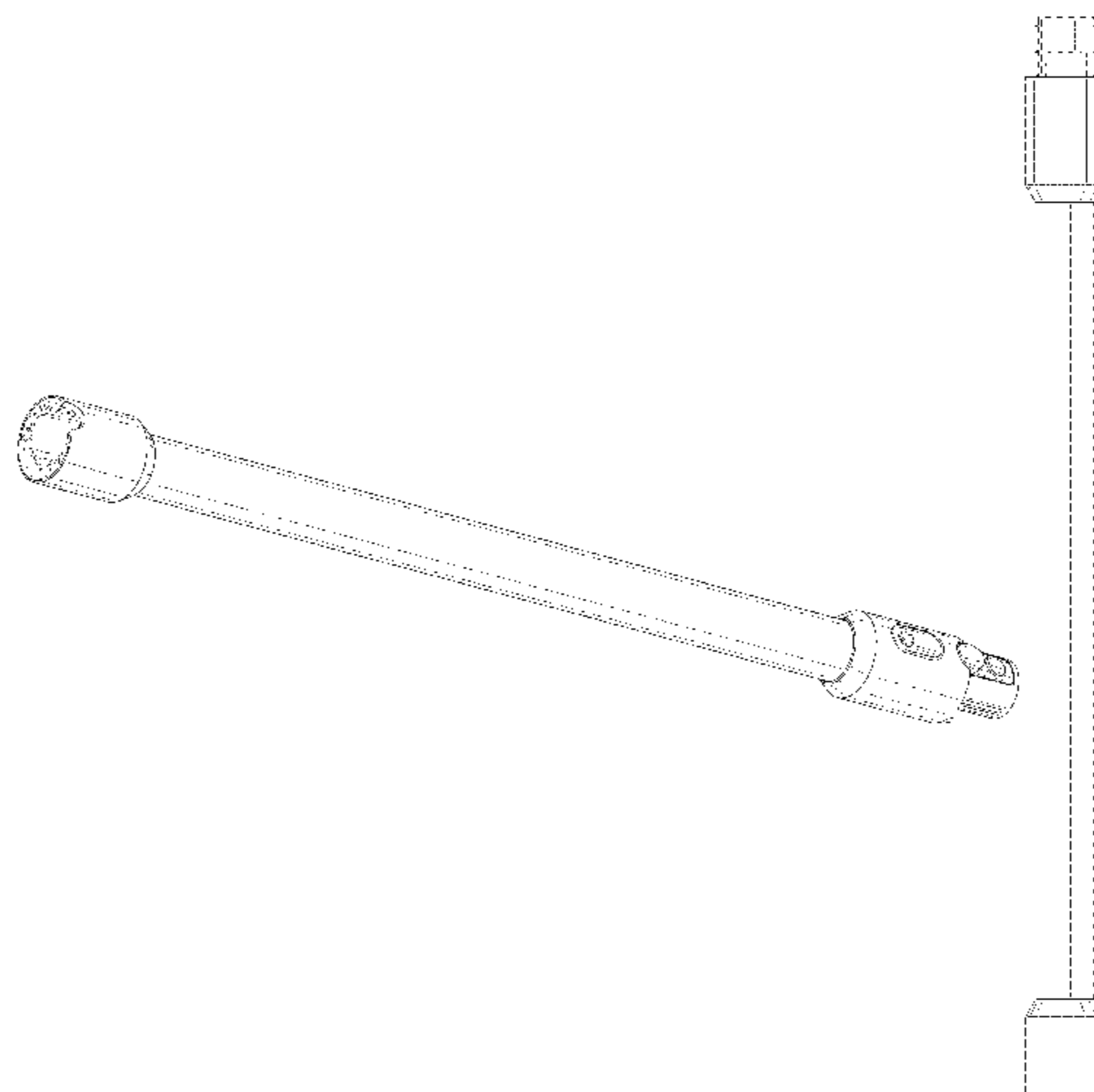
We claim the ornamental design for a vacuum cleaner wand, as shown and described.

DESCRIPTION

FIG. 1 is a top perspective view of a vacuum cleaner wand showing our new design;
FIG. 2 is a top view thereof;
FIG. 3 is a bottom view thereof;
FIG. 4 is a left side view thereof;
FIG. 5 is a right side view thereof;
FIG. 6 is a rear view thereof; and,
FIG. 7 is a front view thereof.

The broken lines shown in the drawings illustrate portions of a vacuum cleaner wand that form no part of the claimed design.

1 Claim, 4 Drawing Sheets



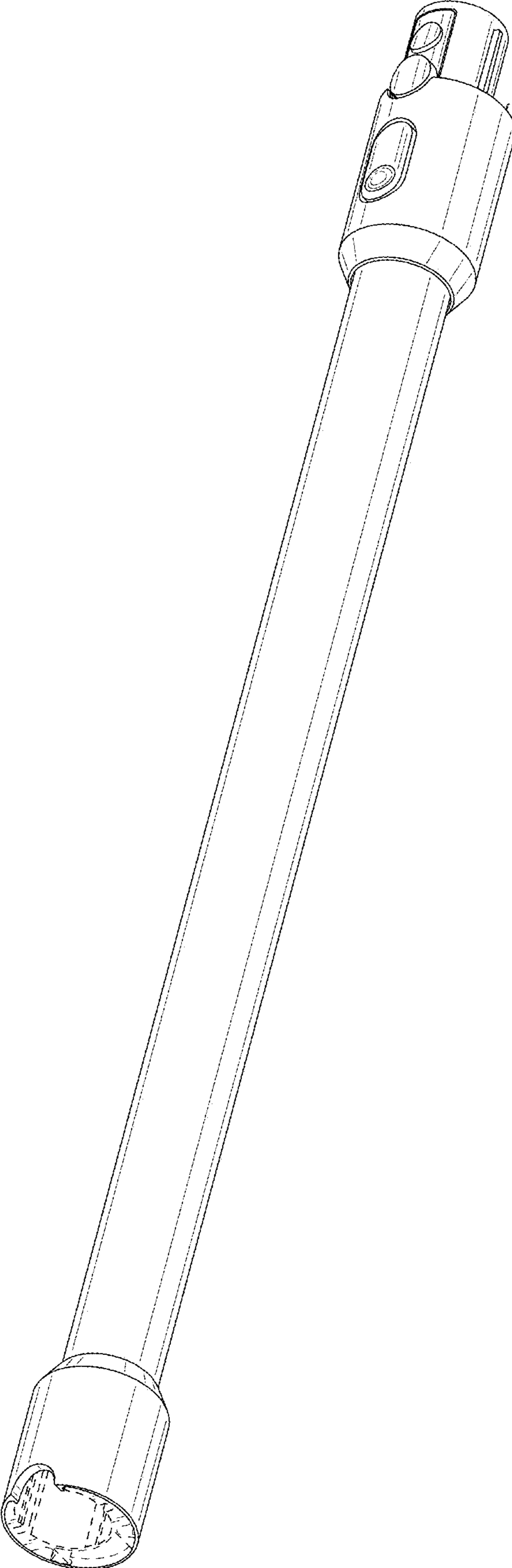


FIG. 1

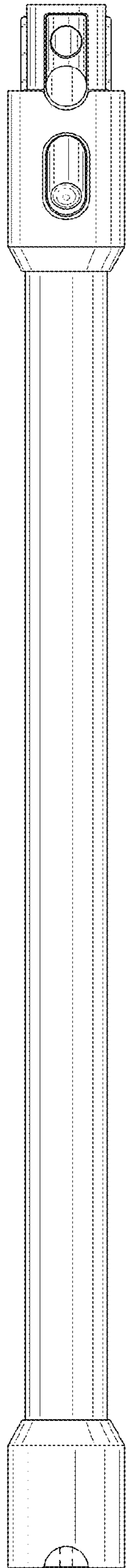


FIG. 2

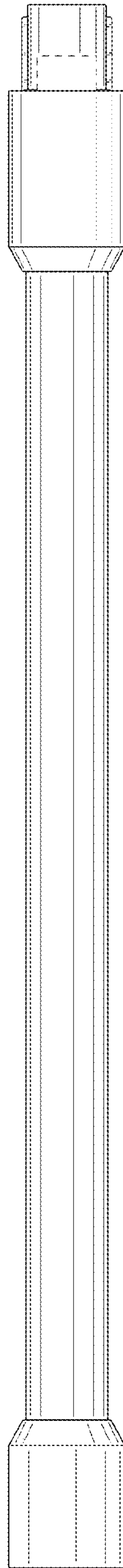


FIG. 3

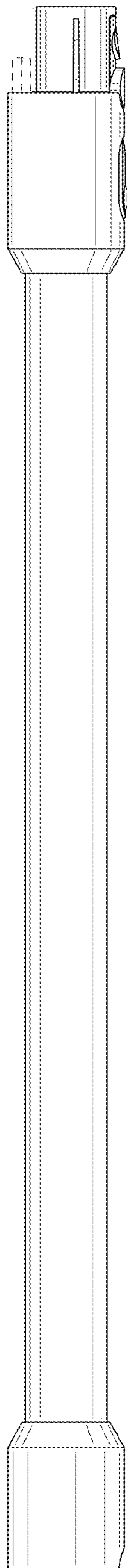


FIG. 4

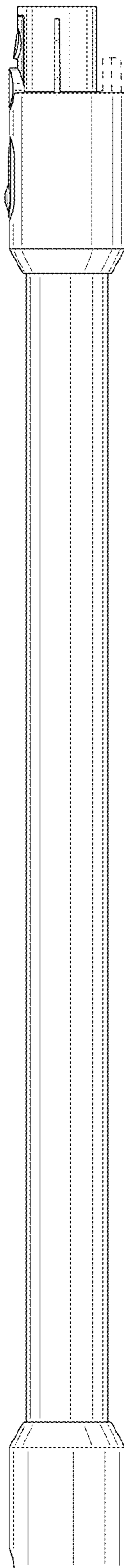


FIG. 5

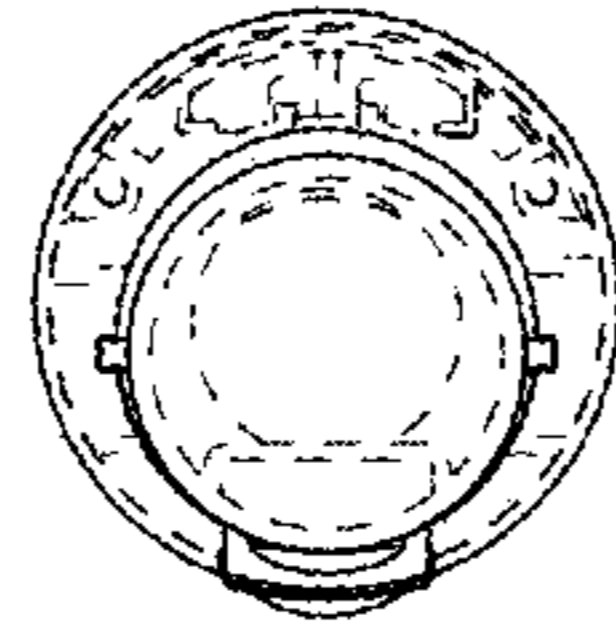


FIG. 6

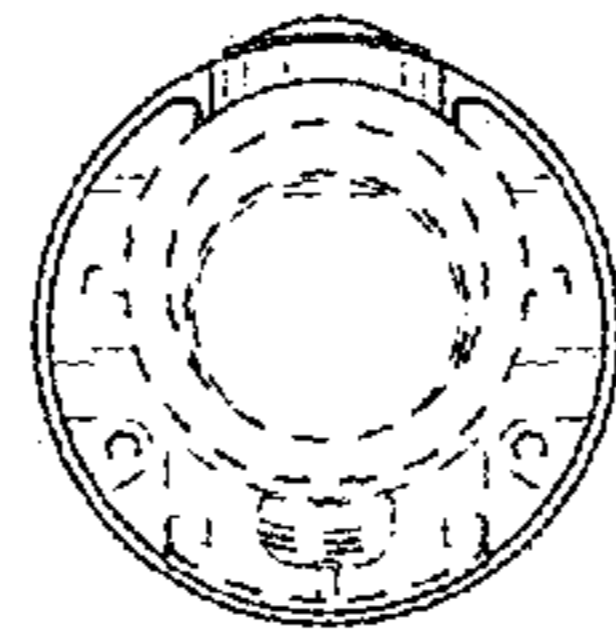


FIG. 7