



US00D963269S

(12) **United States Design Patent**
Tan

(10) **Patent No.:** **US D963,269 S**

(45) **Date of Patent:** **** Sep. 6, 2022**

(54) **COVER FOR WASHING MACHINE AND DRYER**

(71) Applicant: **Ganzhou Sidawo Electronic Commerce Co., Ltd.**, Jiangxi (CN)

(72) Inventor: **Lilan Tan**, Jiangxi (CN)

(**) Term: **15 Years**

(21) Appl. No.: **29/784,263**

(22) Filed: **May 18, 2021**

(51) **LOC (13) Cl.** **15-05**

(52) **U.S. Cl.**
USPC **D32/25**

(58) **Field of Classification Search**
USPC D6/610; D32/6, 8, 25, 35
CPC D06F 83/00; D06F 39/12
See application file for complete search history.

(56) **References Cited**

U.S. PATENT DOCUMENTS

3,500,044	A *	3/1970	Treadway	D06F 39/12
					68/196
D240,882	S *	8/1976	Knight	D6/610
D373,664	S	9/1996	Jackson		
D437,170	S *	2/2001	Atwell	D6/611
D449,195	S	10/2001	Brown		
6,457,334	B1 *	10/2002	Harker	D06F 39/12
					68/3 R
D503,999	S	4/2005	Arvizo		
7,661,452	B1 *	2/2010	Krioukov	D06F 39/12
					68/3 R
D869,110	S *	12/2019	Zhang	D32/25
D944,956	S *	3/2022	Liu	D6/610

FOREIGN PATENT DOCUMENTS

CN 304627818 * 5/2018

OTHER PUBLICATIONS

2Pack Washer and Dryer Covers, available in Amazon.com, available in Amazon.com, date first available Apr. 8, 2021 [online], [site visited Feb. 26, 2022], Available from the internet URL: https://www.amazon.com/Washing-Dustproof-Waterproof-Front-loading-W29D28H43in/dp/B096YB2TH7/ref=sr_1_1? (Year: 2021).*

(Continued)

Primary Examiner — Amy C Wierenga

Assistant Examiner — Jennylou M Binas

(74) *Attorney, Agent, or Firm* — SciNova IP and Regulatory Consulting LLC; Jingfeng Song

(57) **CLAIM**

The ornamental design for a cover for washing machine and dryer, as shown and described.

DESCRIPTION

FIG. 1 is a perspective view of a cover for washing machine and dryer, showing my design.

FIG. 2 is a front elevation view thereof.

FIG. 3 is a rear elevation view thereof.

FIG. 4 is a left side elevation view thereof.

FIG. 5 is a right side elevation view thereof.

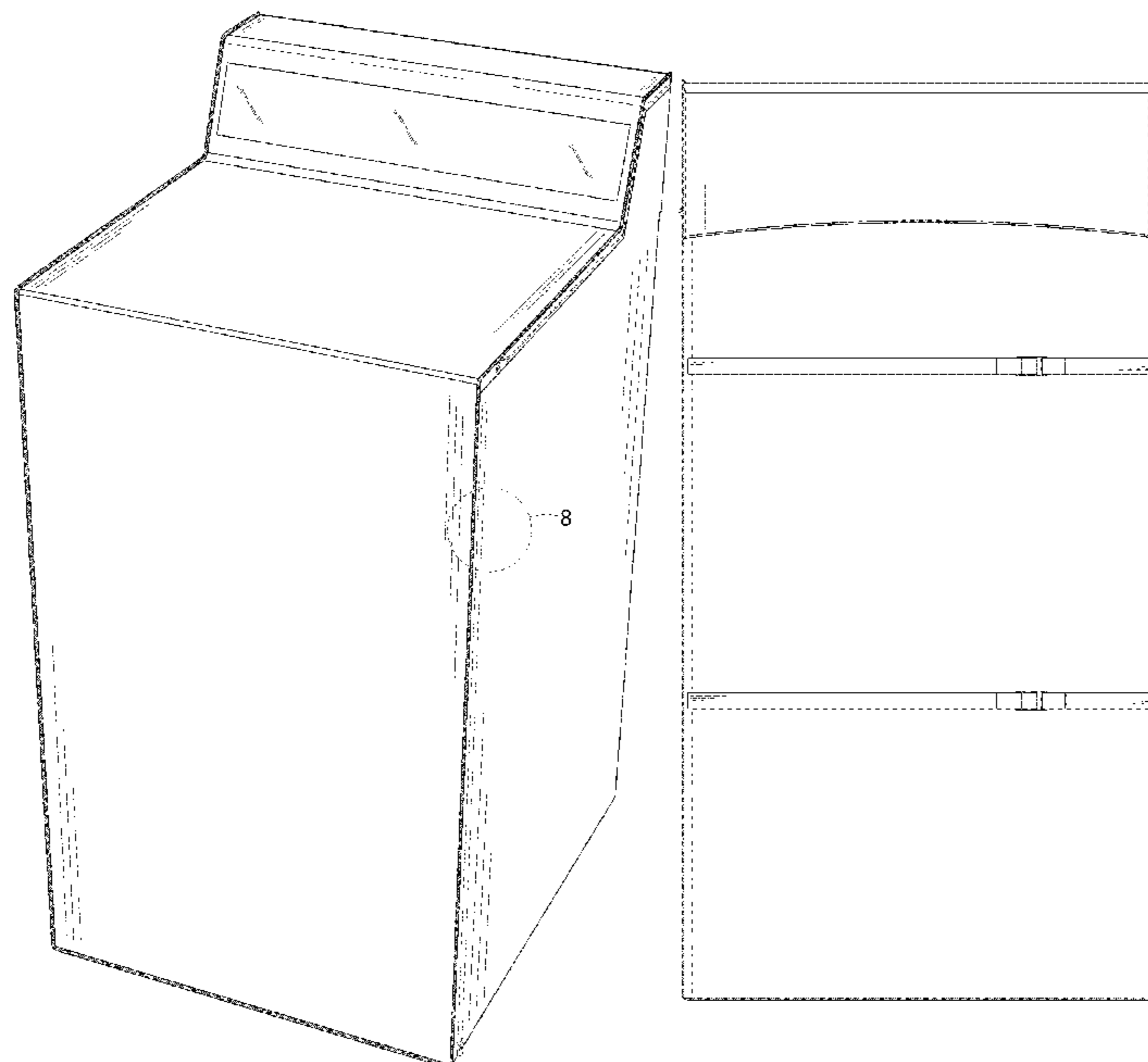
FIG. 6 is a top plan view thereof.

FIG. 7 is a bottom plan view thereof.

FIG. 8 is an enlarged view of portion 8 shown in FIG. 1; and, FIG. 9 is an enlarged view of portion 9 shown in FIG. 4.

The evenly spaced broken lines depict portions of the cover for washing machine and dryer that form no part of the claim. The dash-dash broken lines shown in FIGS. 1, 4, 8, and 9 depict cut off boundaries for the enlarged detail portion views that form no part of the claimed design.

1 Claim, 9 Drawing Sheets



(56)

References Cited

OTHER PUBLICATIONS

AKEfit Washing Machine Cover, available in Amazon.com, available in Amazon.com, date first available Mar. 22, 2021 [online], [site visited Feb. 26, 2022], Available from the internet URL: https://www.amazon.com/AKEfit-Washing-Pre-Window-Waterproof-Dustproof/dp/B08ZMZTPND/ref=psdc_13397451_t5_B096YB2TH7 (Year: 2021).*

Best Washing Machine Cover Top Load and Front Load, announced in YouTube on Sep. 6, 2020 [online], [site visited Feb. 26, 2022], Available from the internet URL: Best Washing Machine Cover Top Load and Front Load (Year: 2020).*

* cited by examiner

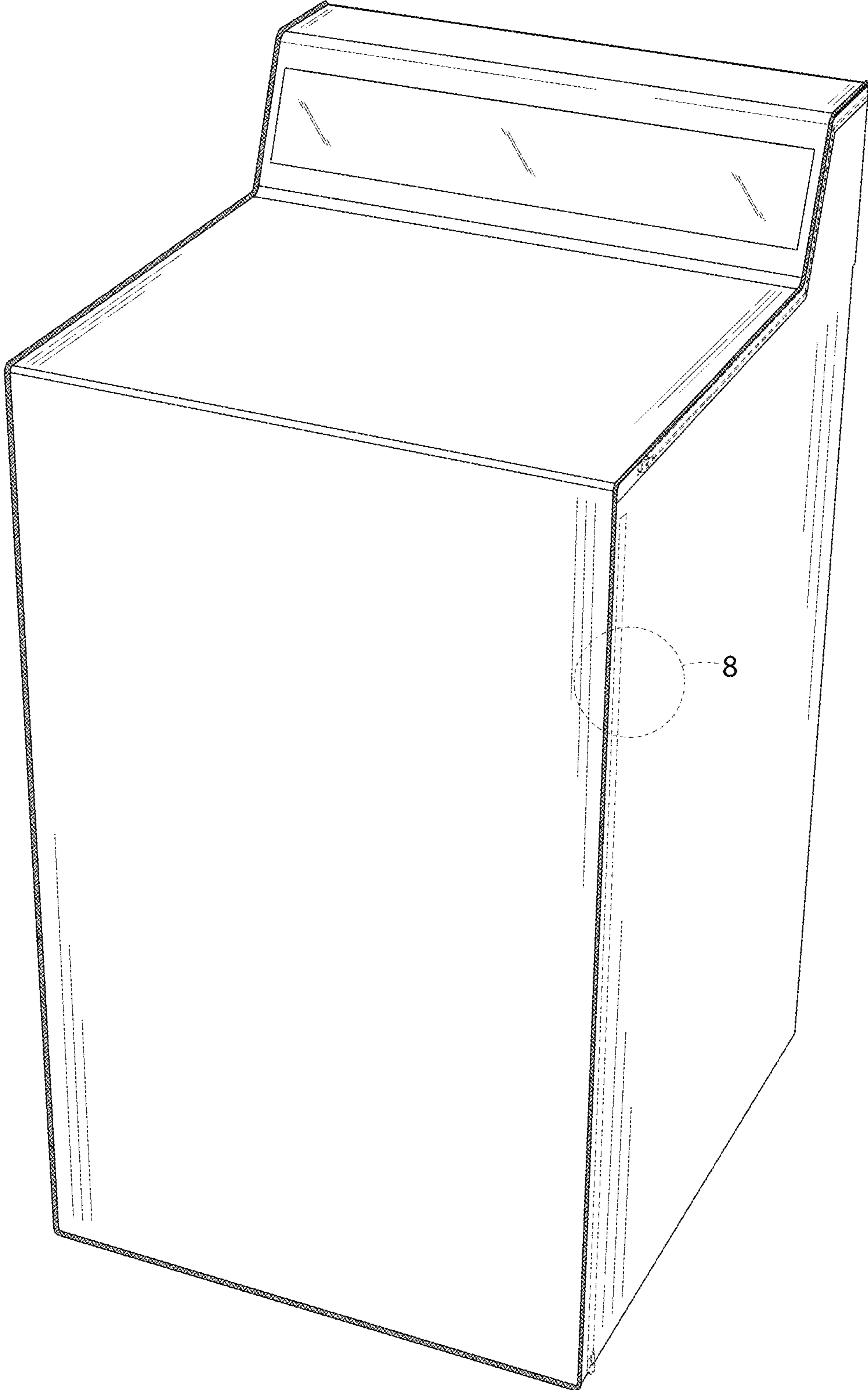


FIG.1

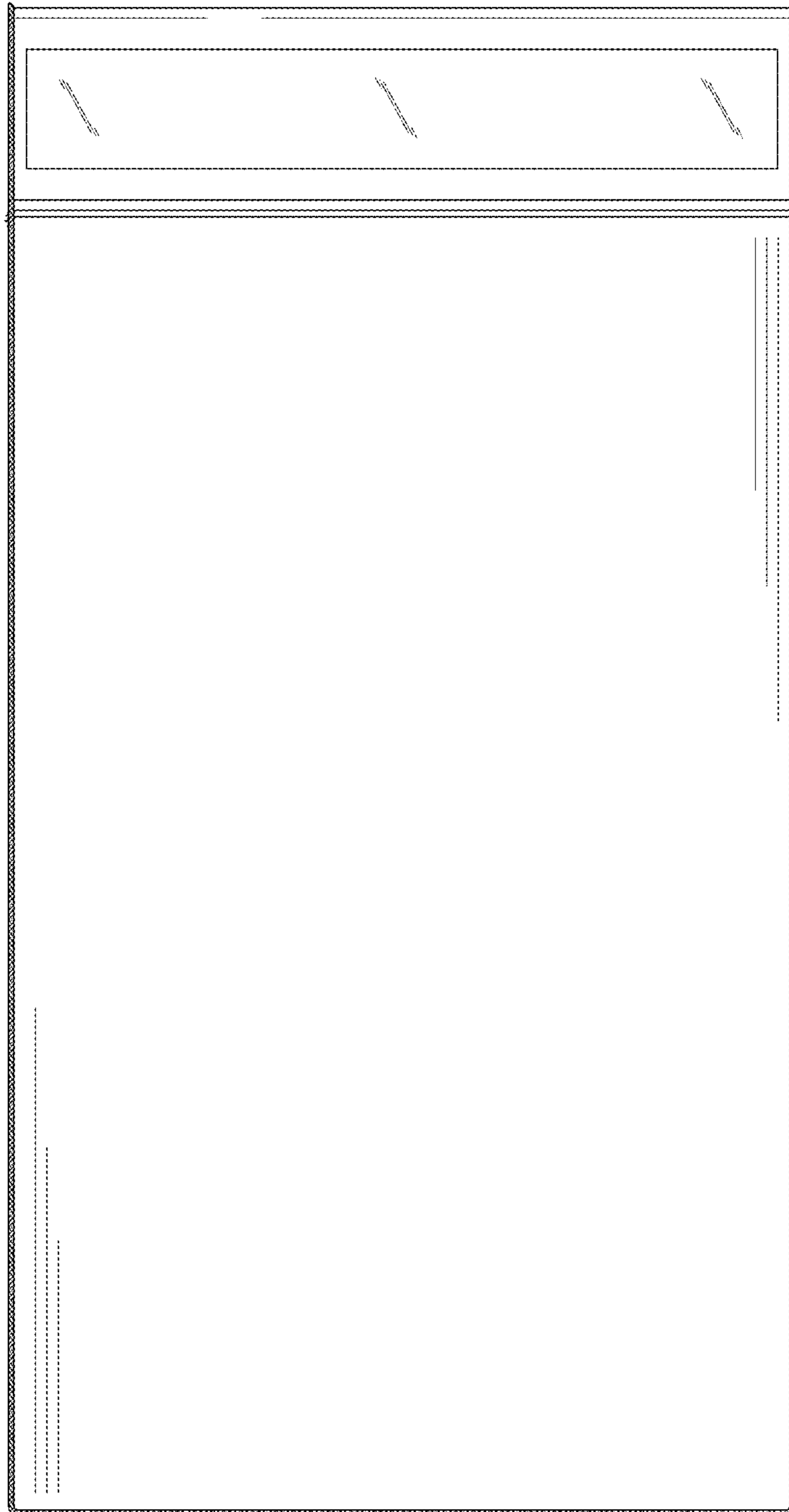


FIG. 2

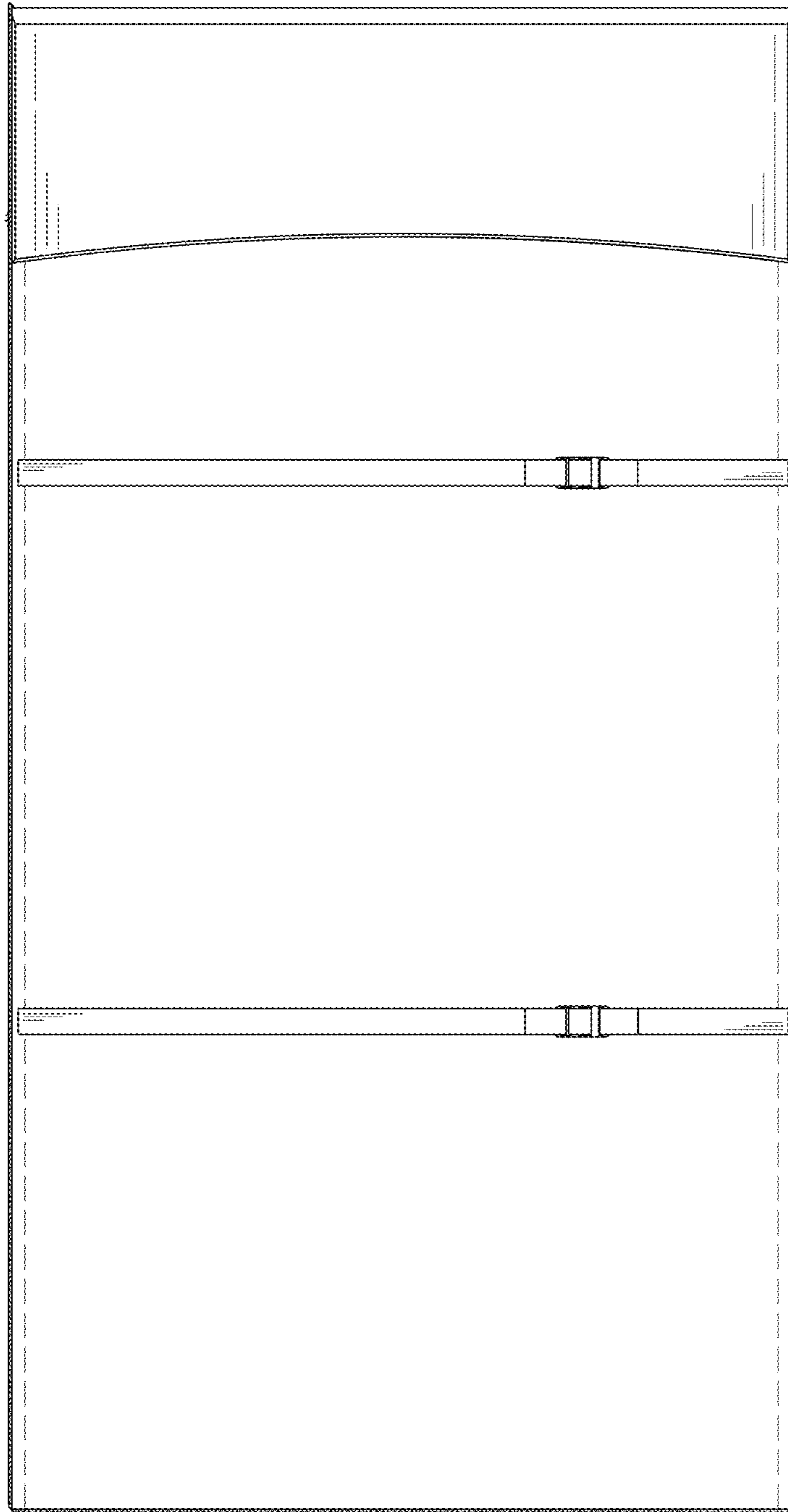


FIG.3

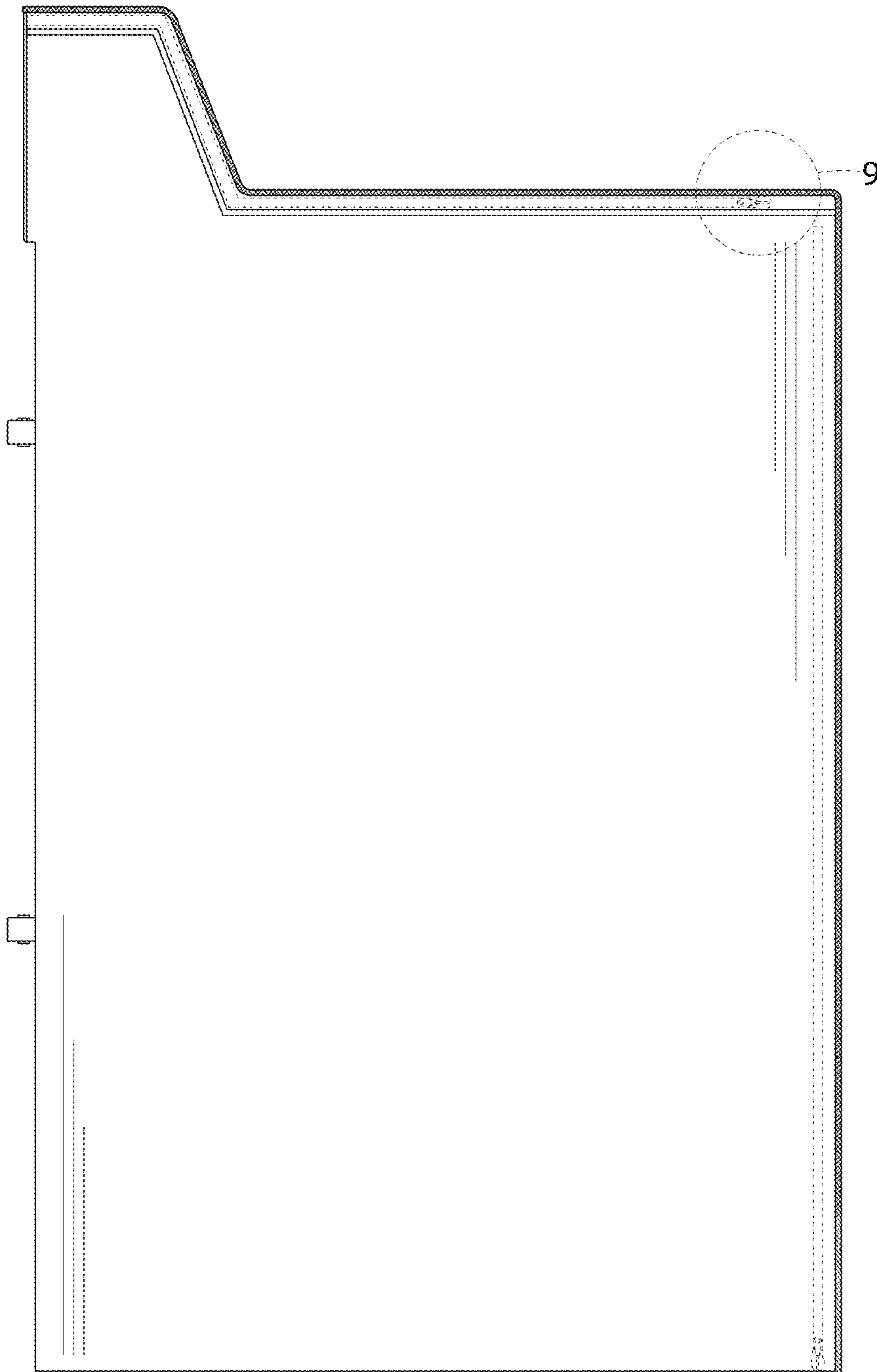


FIG.4

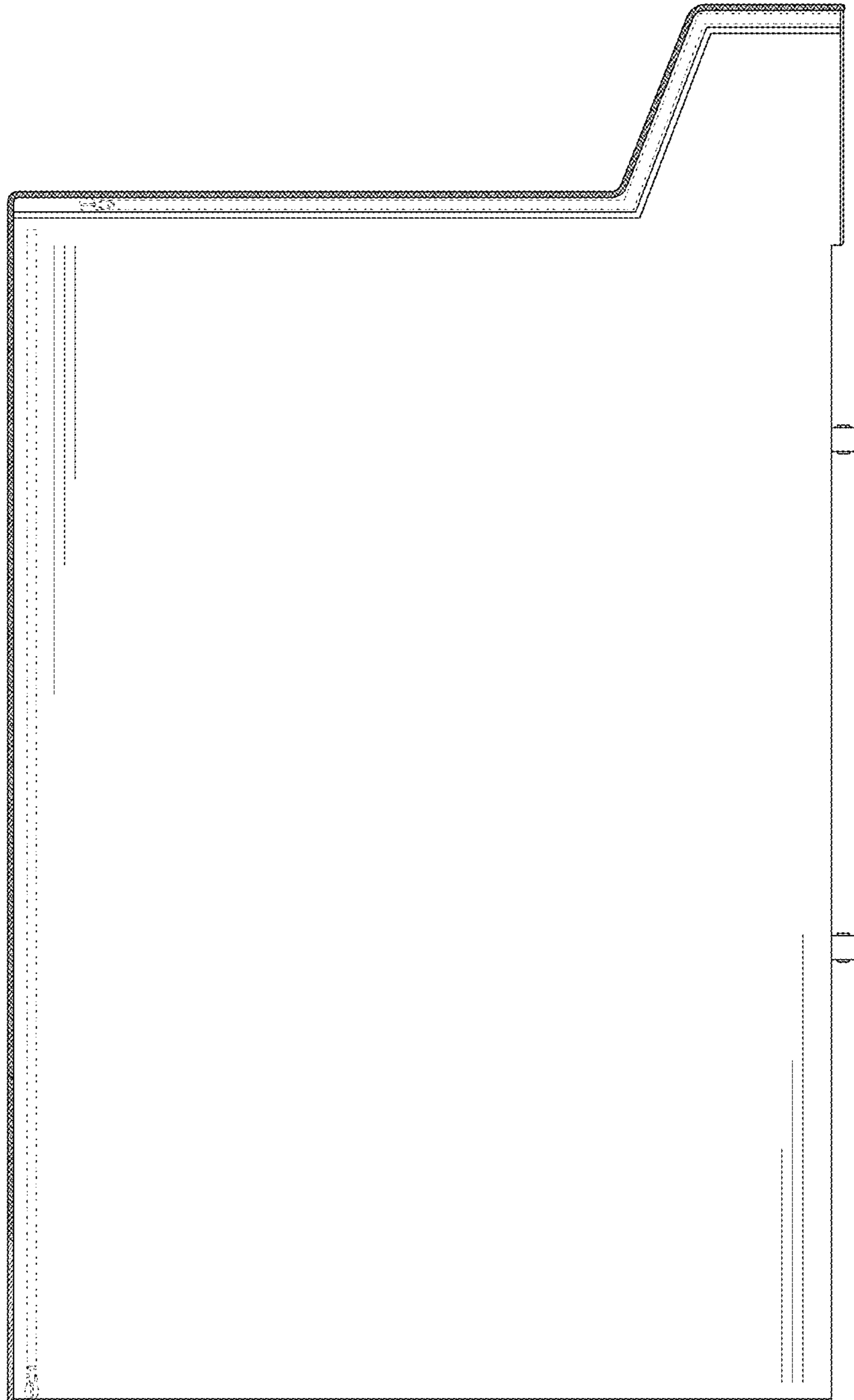


FIG.5

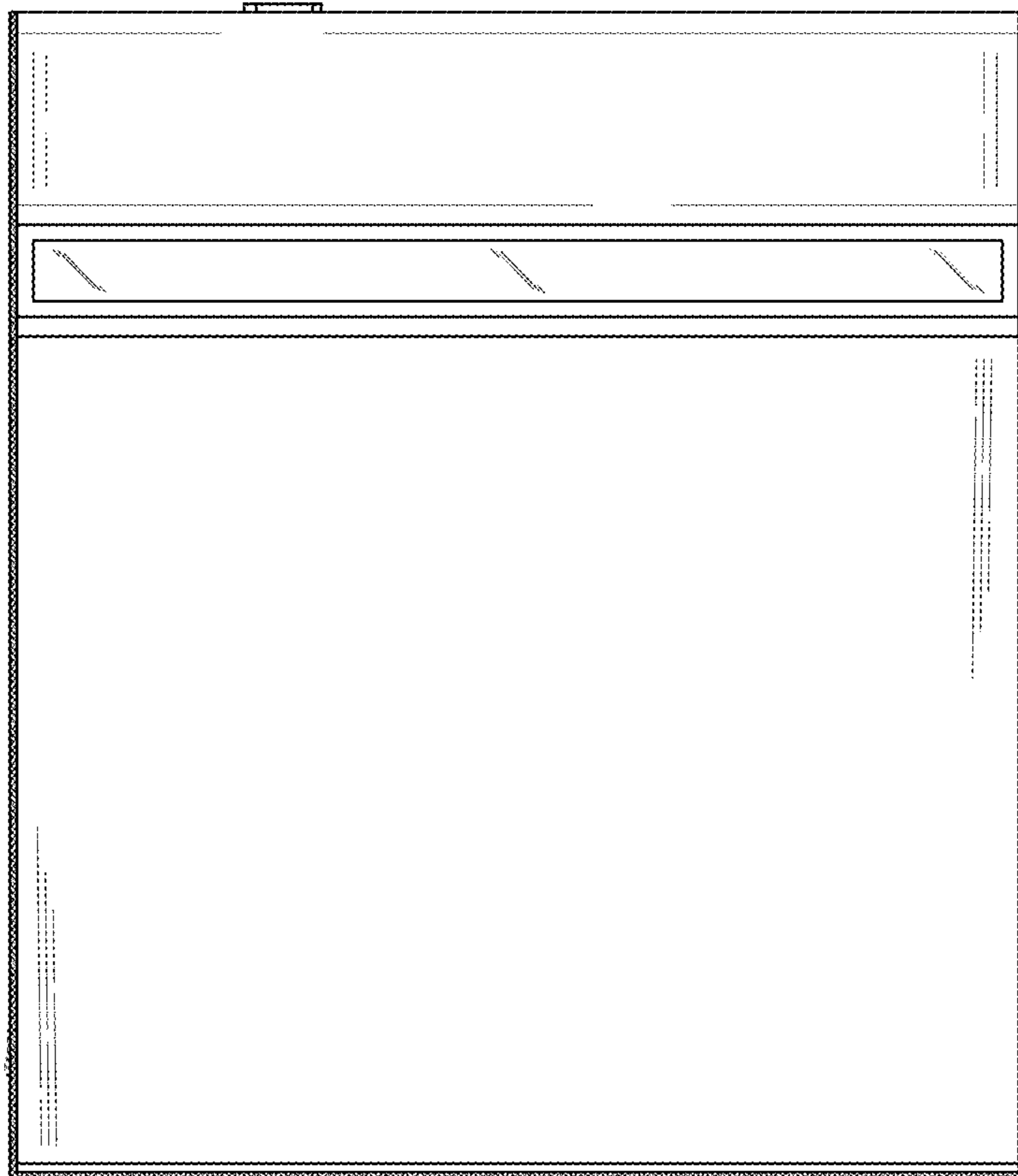


FIG. 6

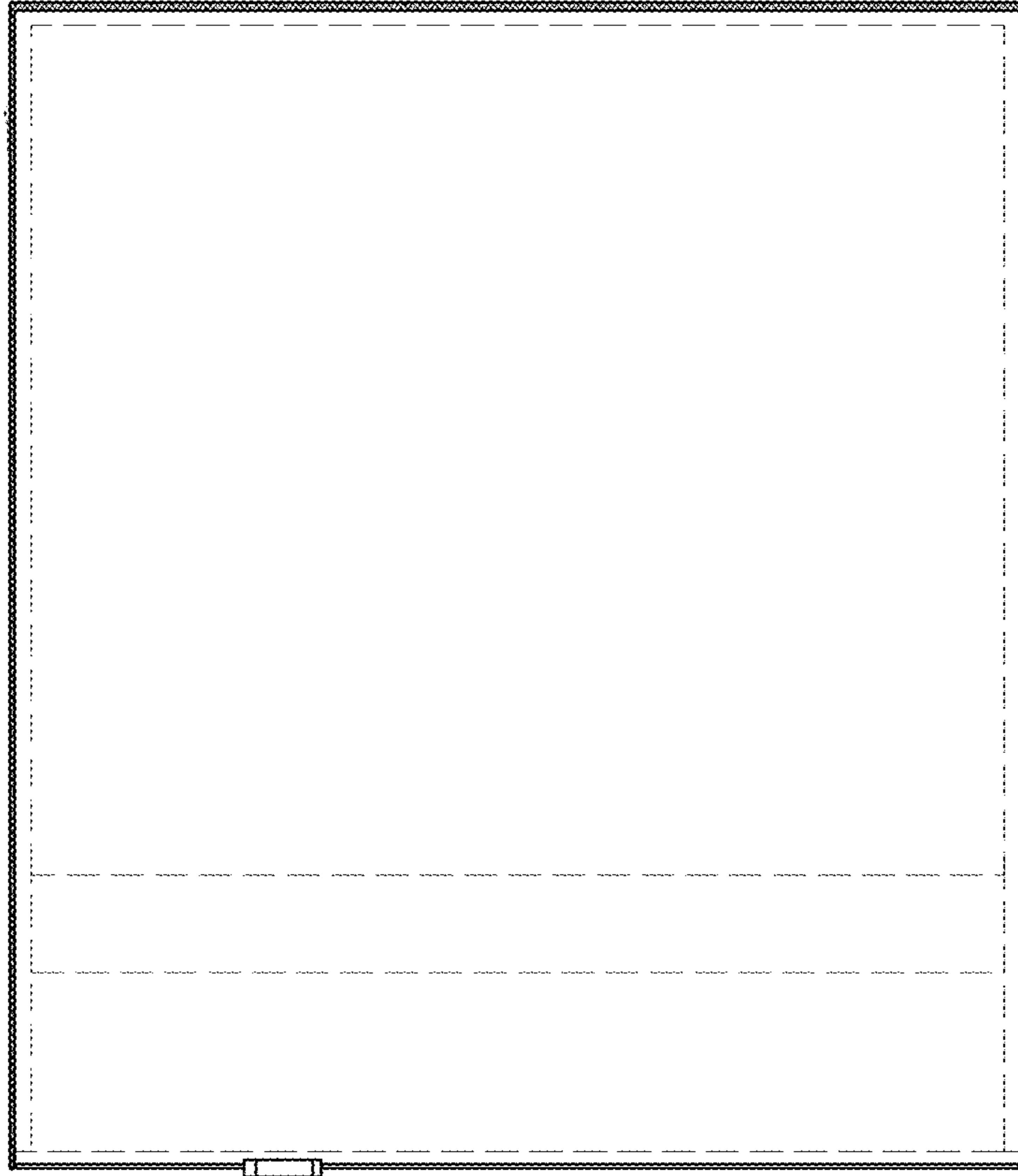


FIG. 7

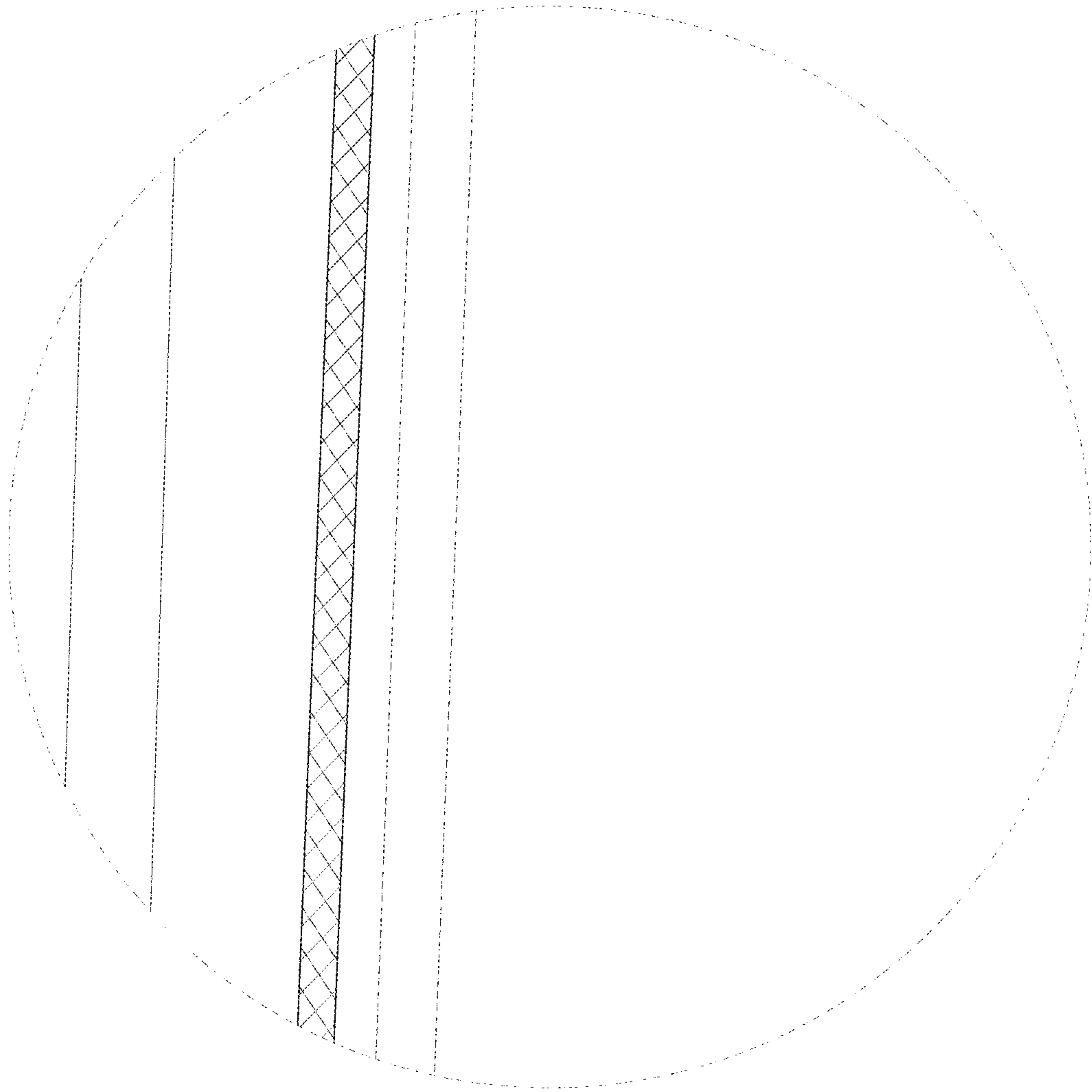


FIG.8

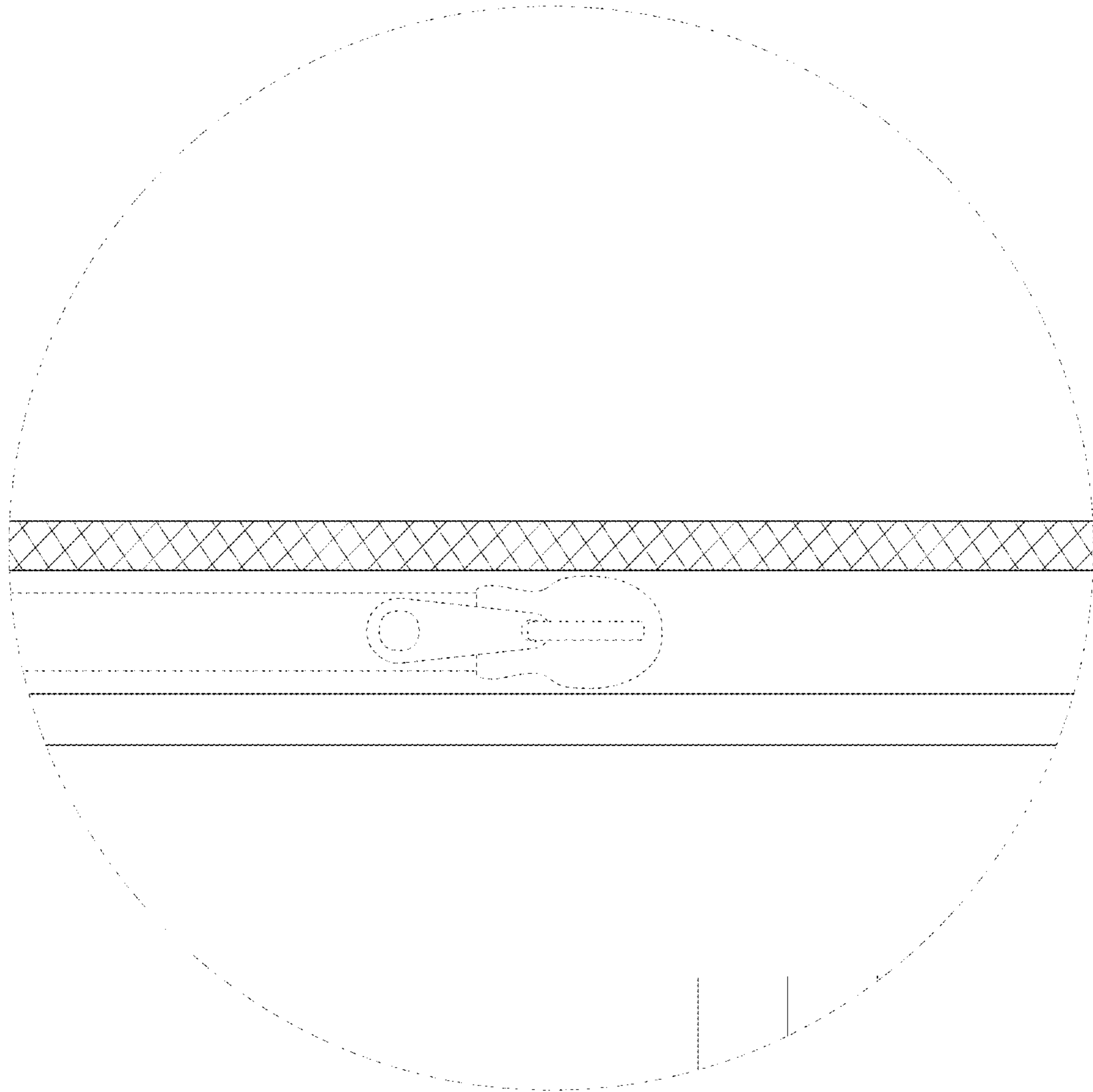


FIG. 9