



US00D963268S

(12) **United States Design Patent**
Zheng

(10) **Patent No.:** **US D963,268 S**

(45) **Date of Patent:** **** Sep. 6, 2022**

(54) **VACUUM CLEANER**

(71) Applicant: **Dongguan San Long Electronic Technology Co., Ltd, Dongguan (CN)**

(72) Inventor: **Hui Zheng, Nanyang (CN)**

(73) Assignee: **Dongguan San Long Electronic Technology Co., Ltd., Dongguan (CN)**

(**) Term: **15 Years**

(21) Appl. No.: **29/747,440**

(22) Filed: **Aug. 21, 2020**

(51) **LOC (13) Cl.** **15-05**

(52) **U.S. Cl.**
USPC **D32/18**

(58) **Field of Classification Search**
USPC D32/17-18, 21-24, 31-32; D21/526;
D24/214-215
CPC A47L 5/24; A47L 5/26; A47L 5/28; A47L
9/102; A47L 9/122; A47L 9/127; A47L
9/1608; A47L 9/1683; A47L 9/2857;
A47L 9/2884; A47L 9/32; A47L 9/322;
B04C 5/185; B01D 2279/55; B23Q
11/0046; B23Q 11/0071; E04H 4/1636
See application file for complete search history.

(56) **References Cited**

U.S. PATENT DOCUMENTS

D280,033 S *	8/1985	Miyamoto	D32/18
D290,417 S *	6/1987	Leung	D32/18
D290,894 S *	7/1987	Miyamoto	D32/18
D296,486 S *	6/1988	Staubitz	D32/22
D301,783 S *	6/1989	Adams	D32/18
D303,856 S *	10/1989	Yuen	D32/18
D377,697 S *	1/1997	Stephens	D32/22
D398,099 S *	9/1998	Leung	D32/22
D419,731 S *	1/2000	Bates	D32/22
D743,125 S *	11/2015	Lee	D32/22

D807,598 S *	1/2018	Houghton	D32/18
D873,516 S *	1/2020	Palladino	D32/32
D911,641 S *	2/2021	Hu	D32/18

(Continued)

FOREIGN PATENT DOCUMENTS

CN	306004369	*	8/2020
CN	306079176	*	9/2020

(Continued)

OTHER PUBLICATIONS

BuTure Handheld Vacuum Cordless, available in Amazon.com.uk, date first available Oct. 9, 2020 [online], [site visited May 4, 2021, Available from the internet URL: https://www.amazon.co.uk/BuTure-Handheld-Cordless-Rechargeable-Portable/dp/B08HVGBFHL/ref=psdc_3147731_t5_B08L575DXW (Year: 2020).*

(Continued)

Primary Examiner — Amy C Wierenga
Assistant Examiner — Jennylou M Binas
(74) *Attorney, Agent, or Firm* — Georgi Korobanov

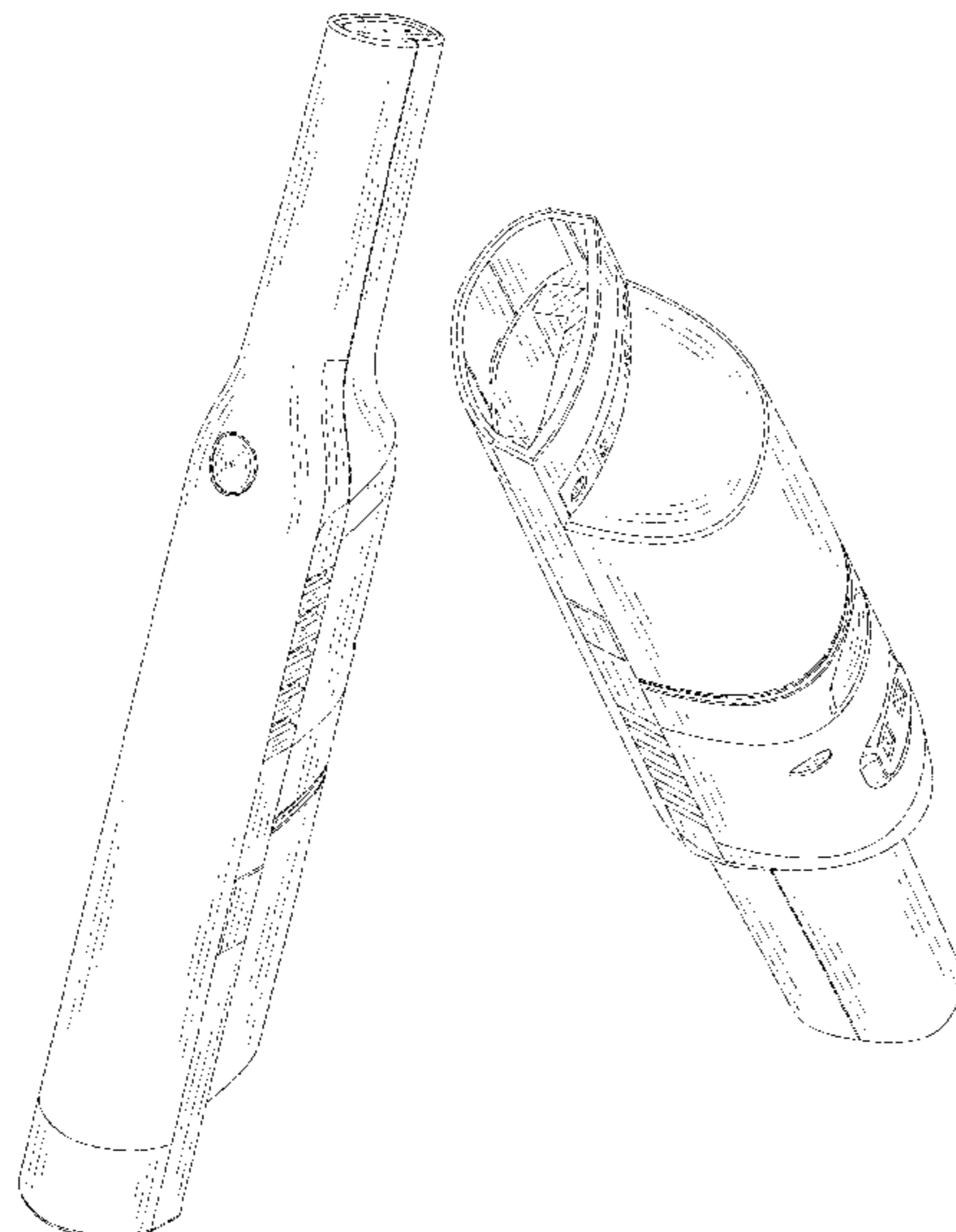
(57) **CLAIM**

The ornamental design for a vacuum cleaner, as shown and described.

DESCRIPTION

FIG. 1 is a perspective view of a vacuum cleaner showing my new design;
FIG. 2 is a front view thereof;
FIG. 3 is a rear view thereof;
FIG. 4 is a left side view thereof;
FIG. 5 is a right side view thereof;
FIG. 6 is a top plan view thereof;
FIG. 7 is a bottom plan view thereof; and,
FIG. 8 is another perspective view thereof.
The dashed broken lines shown in the drawings depict portions of the vacuum cleaner, in which the design is embodied, that form no part of the claimed design.

1 Claim, 8 Drawing Sheets



(56)

References Cited

U.S. PATENT DOCUMENTS

D923,888	S	*	6/2021	Liu	D32/21
D937,513	S	*	11/2021	Chan	D32/22
D937,514	S	*	11/2021	Zou	D32/18
D938,675	S	*	12/2021	Burgess	D32/18
D942,721	S	*	2/2022	Yoon	D32/22
D943,848	S	*	2/2022	Liu	D32/18

FOREIGN PATENT DOCUMENTS

JP	D1668008	*	9/2020
JP	D1708665	*	3/2022
KR	301085120.0000	*	12/2020
KR	301148690.0000	*	1/2022

OTHER PUBLICATIONS

LAOPAO Car Vacuum Cleaner, Handheld Vacuum Cordless, available in Amazon.co.uk, date first available date Jan. 4, 2021 [online], [site visited date May 17, 2021], Available from the internet URL: https://www.amazon.co.uk/dp/B08RYQBQPY/ref=cm_sw_em_r_mt_imm_awdb_69N9A99YYHRBBV88C0GC (Year: 2021).*

Beldray BEL0944SL Revo Cordless Handheld Vacuum Cleaner, available in Amazon.co.uk, date first available date Dec. 1, 2019 [online], [site visited date May 17, 2021], Available from the internet URL: https://www.amazon.co.uk/Beldray-BEL0944SL-Cordless-Handheld-Cleaner/dp/B082KZ6J26/ref=sr_1_3 (Year: 2019).*

E-ACE Portable Handheld Vacuum Cleaner Cordless, available in Amazon.ca, date first available date Dec. 2, 2020 [online], [site visited date May 17, 2021], Available from the internet URL: https://www.amazon.ca/dp/B08MFBJQQY/ref=cm_sw_em_r_mt_imm_awdb_0RHZV3FHDKHA50FVBG20 (Year: 2020).*

E-More Handheld Vacuum Cordless, available in Amazon.com.uk, date first available Jan. 11, 2021 [online], [site visited May 4, 2021], Available from the internet URL: https://www.amazon.co.uk/Handheld-Cordless-Portable-Rechargeable-Lightweight/dp/B08SM4CRPP/ref=sr_1_47 (Year: 2021).*

Shark W1, Handheld Vacuum, available in Amazon.co.uk, date first available Aug. 13, 2018 [online], [site visited May 4, 2021], Available from the internet URL: https://www.amazon.co.uk/Handheld-Lightweight-Powerful-Detachable-WV201/dp/B07FX5K4D6/ref=sr_1_3 (Year: 2018).*

SUMEI Hand Held Vacuum Cordless, available in Amazon.co.uk, date first available date Oct. 12, 2020 [online], [site visited date May 17, 2021], Available from the internet URL: https://www.amazon.co.uk/dp/B08HLQZVRN/ref=cm_sw_em_r_mt_imm_awdb_076GQT82V3T09R0QPV58 (Year: 2020).*

* cited by examiner

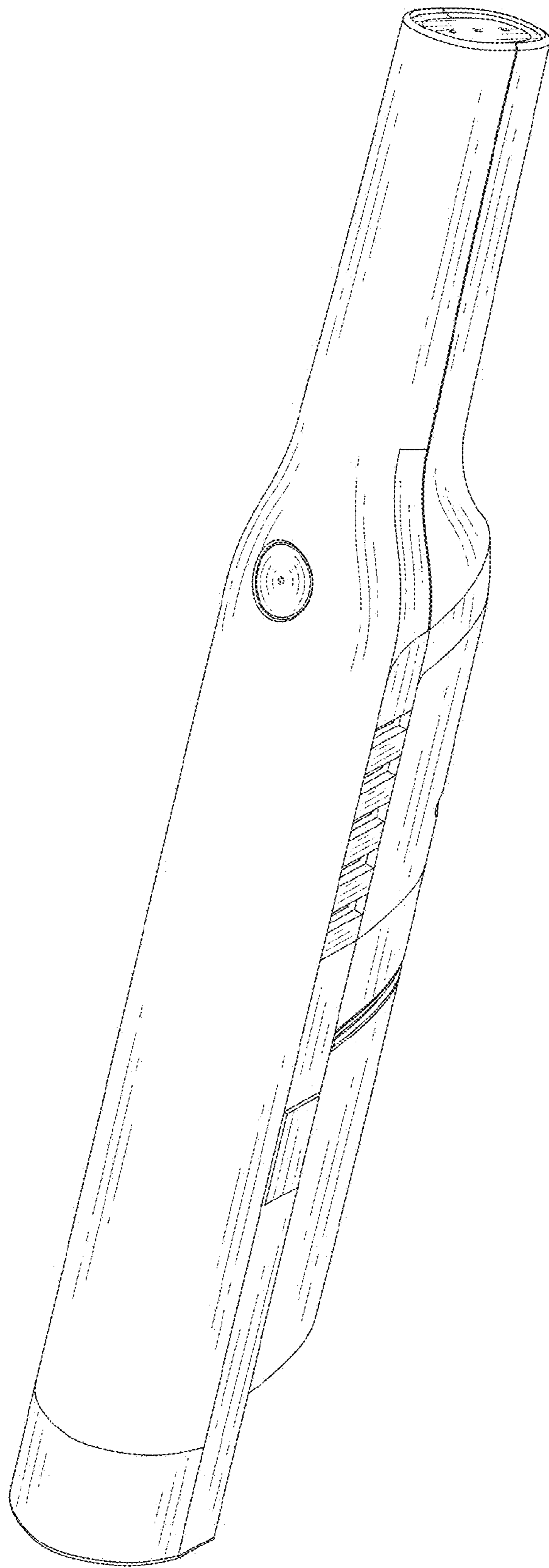


FIG. 1

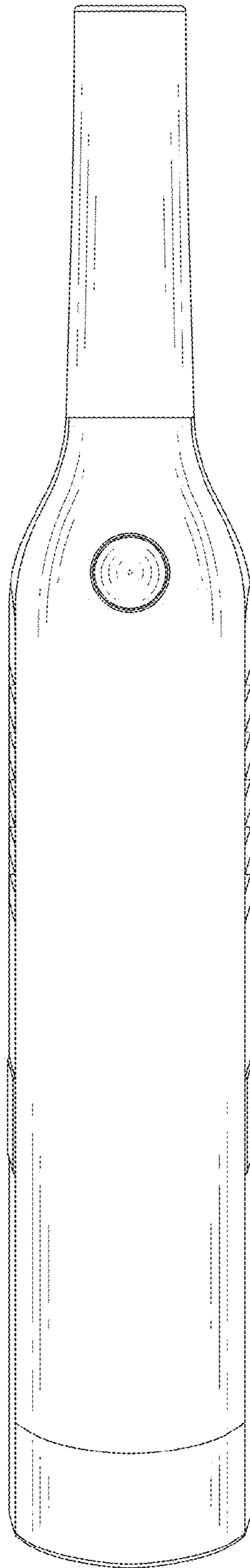


FIG. 2

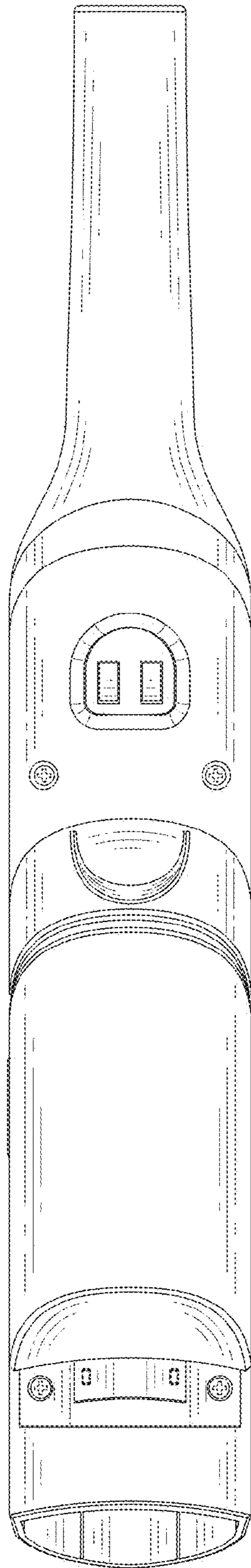


FIG. 3

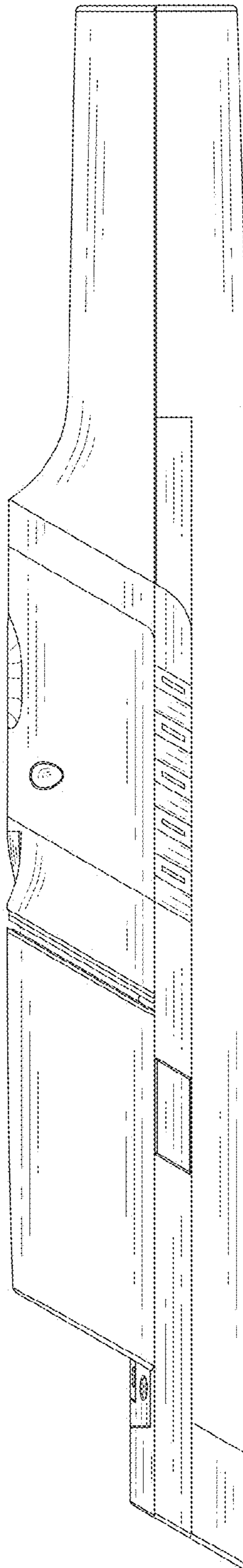


FIG. 4

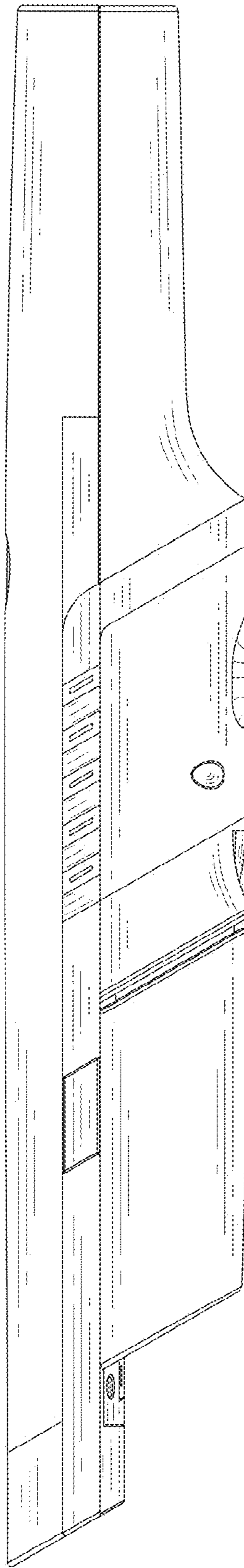


FIG. 5

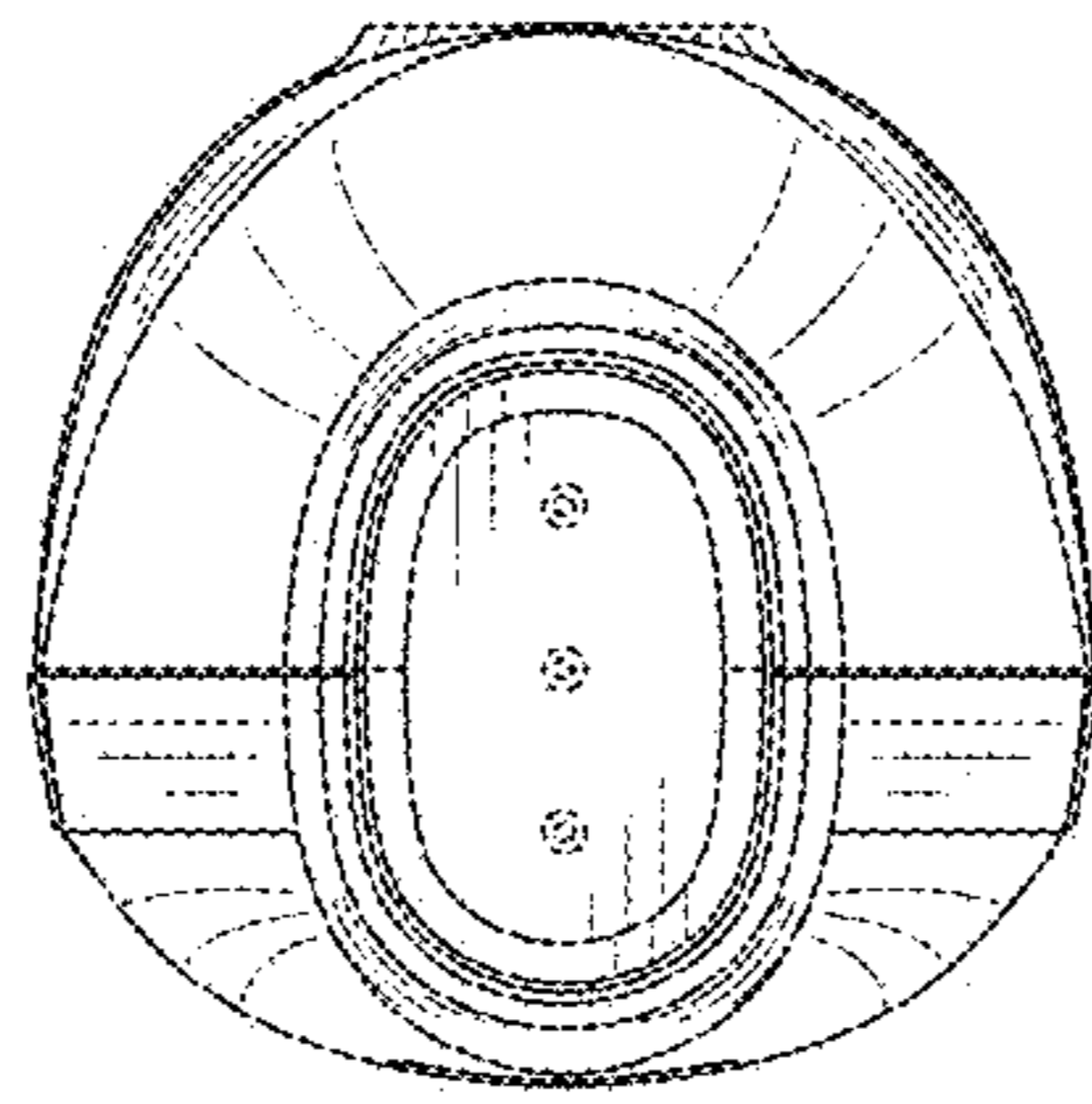


FIG. 6

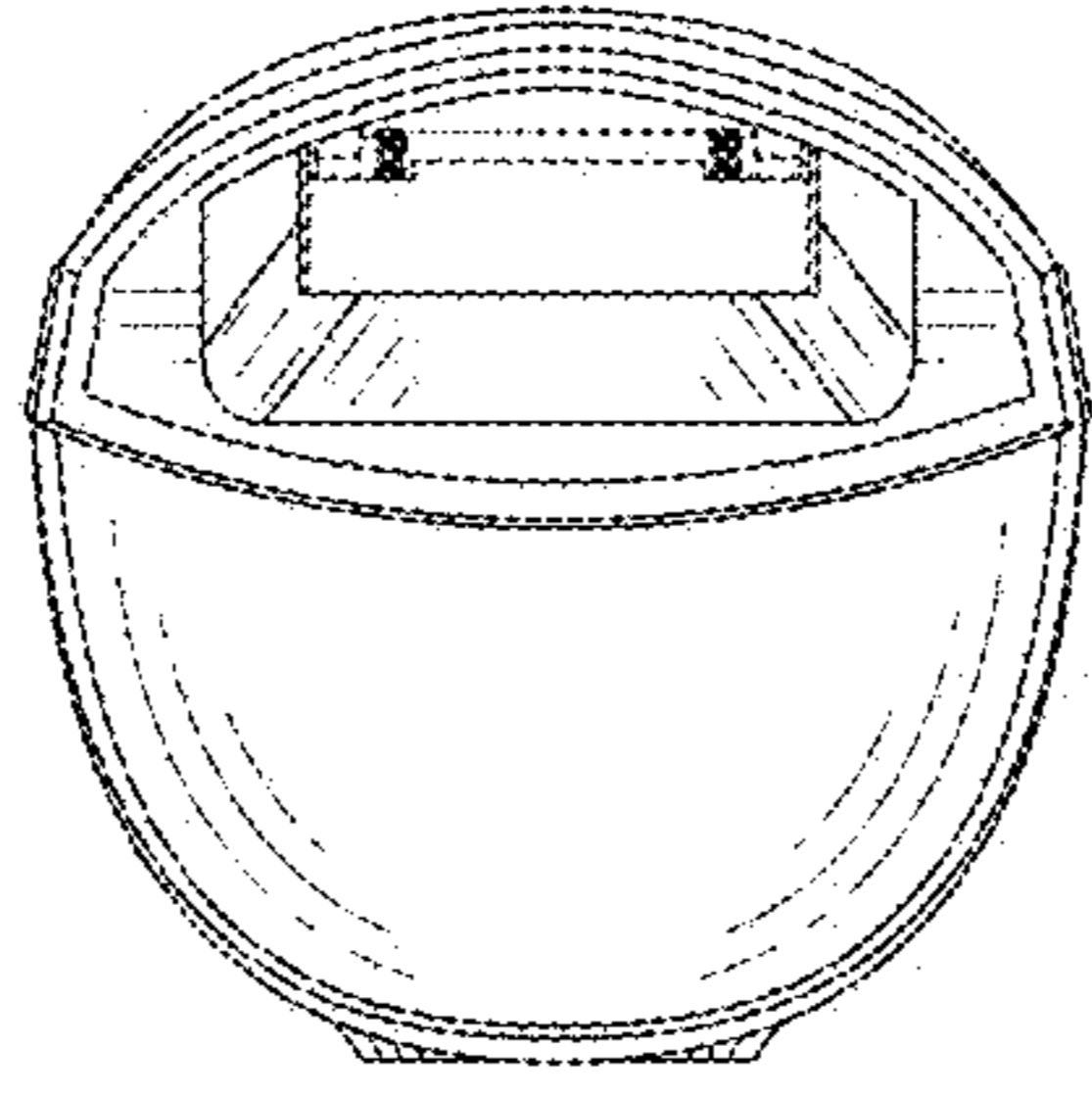


FIG. 7

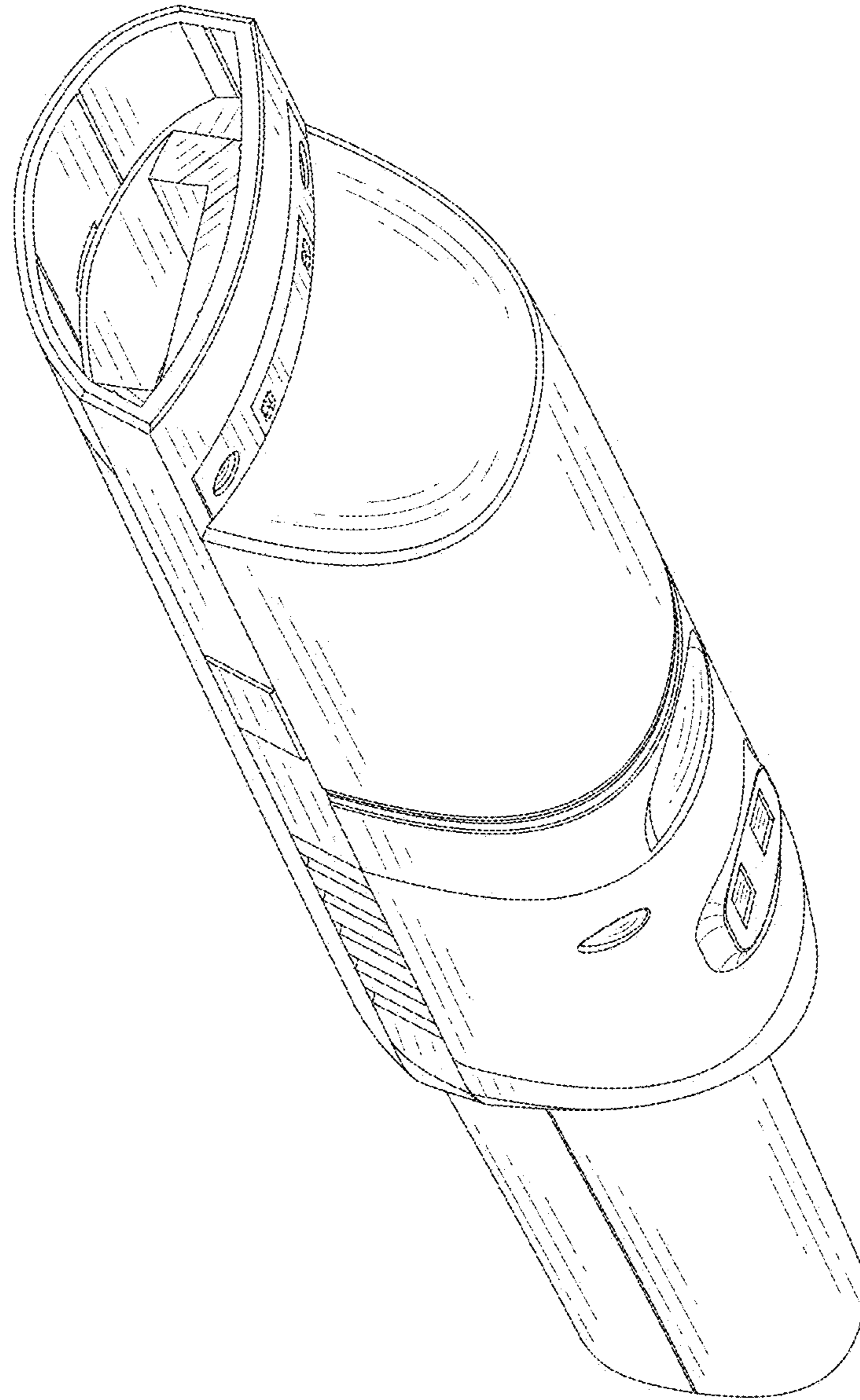


FIG. 8