



US00D963265S

(12) **United States Design Patent**  
**Liu**

(10) **Patent No.:** **US D963,265 S**  
(45) **Date of Patent:** **\*\* Sep. 6, 2022**

(54) **ANTI-BARK COLLAR DEVICE FOR DOG**

(71) Applicant: **Shenzhen Papani Pet Products Co., Ltd.**, Shenzhen (CN)

(72) Inventor: **Weifeng Liu**, Shantou (CN)

(73) Assignee: **Shenzhen Papani Pet Products Co., Ltd.**, Shenzhen (CN)

(\*\*) Term: **15 Years**

(21) Appl. No.: **29/802,067**

(22) Filed: **Aug. 3, 2021**

(51) **LOC (13) Cl.** ..... **30-99**

(52) **U.S. Cl.**  
USPC ..... **D30/199; D10/104.1**

(58) **Field of Classification Search**  
USPC ..... D30/151-155, 144, 199, 160;  
119/792-798, 850, 855-859, 863-865,  
119/654, 905, 907, 815, 712, 802, 784,  
119/769, 760, 776, 862, 908, 860,  
119/719-721; 242/381.1-381.2, 385.4,  
242/378.3, 376.1, 385.1, 916, 601, 570,  
242/405, 404, 371, 223, 170, 388.1,  
242/405.2, 377, 381.3, 381.6, 405.3,  
242/388.6, 384.7, 382, 396.1, 404.1, 380;  
362/108; 33/767, 769, 414; D12/400;  
D3/229, 230, 207, 208, 215; 40/1.5, 455,  
40/640, 303; 206/63.3, 459.5, 702, 408;  
D6/515; D8/358, 360, 347, 360.1, 359,  
D8/356, DIG. 1; D24/145, 167, 186, 146,  
D24/169; D10/57, 72, 106.1, 104.1,  
D10/104.2, 109.2, 70, 97, 98, 78, 65;  
D20/28; 224/666, 678; 16/445; 283/74,  
283/70; D11/232, 200, 216, 1, 2, 86, 87,  
D11/201, 206-210, 212-215, 218;  
24/163 K, 122.3, 323, 702, 600.4-600.7,  
24/163 R, 169-171, 173, 177-179, 191,  
24/194, 195, 197, 200, 303, 616, 635,  
24/313, 615, 3, 6, 3 K, 599.2, 96, 221,

24/237, 311, 312, 314, 321, 338, 339,  
24/309; 428/3, 4; 54/76, 1, 71; 63/29.1,  
63/3; 191/12.2 R, 12.4; D13/154, 153,  
D13/137.4, 155, 103, 168; D19/69, 67;  
379/438; 446/26; 473/576; D22/140;  
174/135; 439/504, 13, 501; D34/33;  
188/83, 82.1, 65.1; 254/134.3 FT;  
D29/124; D2/627, 624, 633, 625;  
132/145, 146, 148; 2/314; 59/79.1;  
340/573.3, 573.1, 573, 573.4,  
340/539.13-539.19; 343/895;  
278/8 AES; 231/7; 361/232; D14/344,  
(Continued)

(56) **References Cited**

U.S. PATENT DOCUMENTS

D385,208 S \* 10/1997 Chui ..... D10/104.1  
D477,241 S \* 7/2003 Christianson ..... D10/104.1  
(Continued)

*Primary Examiner* — Susan Moon Lee  
(74) *Attorney, Agent, or Firm* — Georgi Korobanov

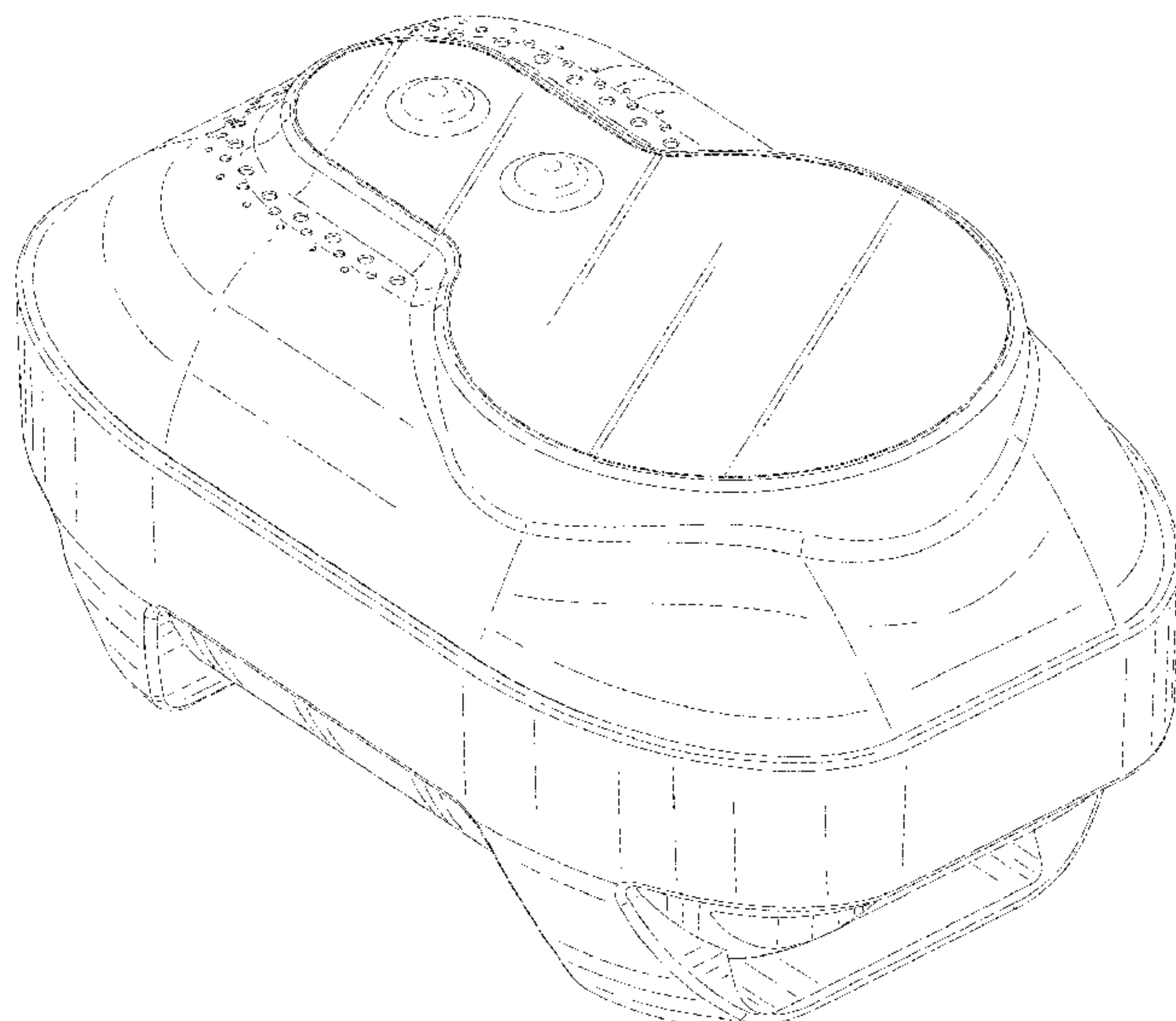
(57) **CLAIM**

I claim the ornamental design for an anti-bark collar device for dog, as shown and described.

**DESCRIPTION**

FIG. 1 is a perspective view of an anti-bark collar device for dog, showing my new design;  
FIG. 2 is another perspective view thereof;  
FIG. 3 is a front view thereof;  
FIG. 4 is a back view thereof;  
FIG. 5 is a left side view thereof;  
FIG. 6 is a right side view thereof;  
FIG. 7 is a top plan view thereof; and,  
FIG. 8 is a bottom plan view thereof.

**1 Claim, 8 Drawing Sheets**



(58) **Field of Classification Search**

USPC ..... D14/341, 137, 155, 496, 203.5, 203.3,  
D14/144, 218, 188, 216, 192;  
342/357.51, 357.57, 357.52, 357.55;  
455/100, 352, 456.1, 550.1; 315/291  
CPC .... A01K 15/021; A01K 15/02; A01K 15/022;  
A01K 15/023; A01K 15/029; A01K  
15/04; A01K 15/00; A01K 15/006; A01K  
12/022; A01K 27/009; A01K 27/00;  
A01K 27/001; A01K 27/006-008; A01K  
29/005; A01K 29/00; A61B 5/0002-0028;  
A61B 5/681; A61B 5/6822; A61B  
5/6824; A61B 5/6829; G01S 5/0294

See application file for complete search history.

(56) **References Cited**

U.S. PATENT DOCUMENTS

D506,982 S *	7/2005	Murtaugh .....	D13/168
D593,451 S *	6/2009	Sayegh .....	D10/106.91
D611,361 S *	3/2010	Knight .....	D10/70
D636,371 S *	4/2011	Spielvogel .....	D14/142
D725,848 S *	3/2015	So .....	D30/152
D725,849 S *	3/2015	So .....	D30/152
D762,333 S	7/2016	Pulliam et al.	
D788,999 S	6/2017	Zinn et al.	
D795,111 S *	8/2017	Zhang .....	D10/106.1
D806,326 S *	12/2017	Blaska .....	D30/152
D829,121 S *	9/2018	Colasse .....	D10/106.1

\* cited by examiner

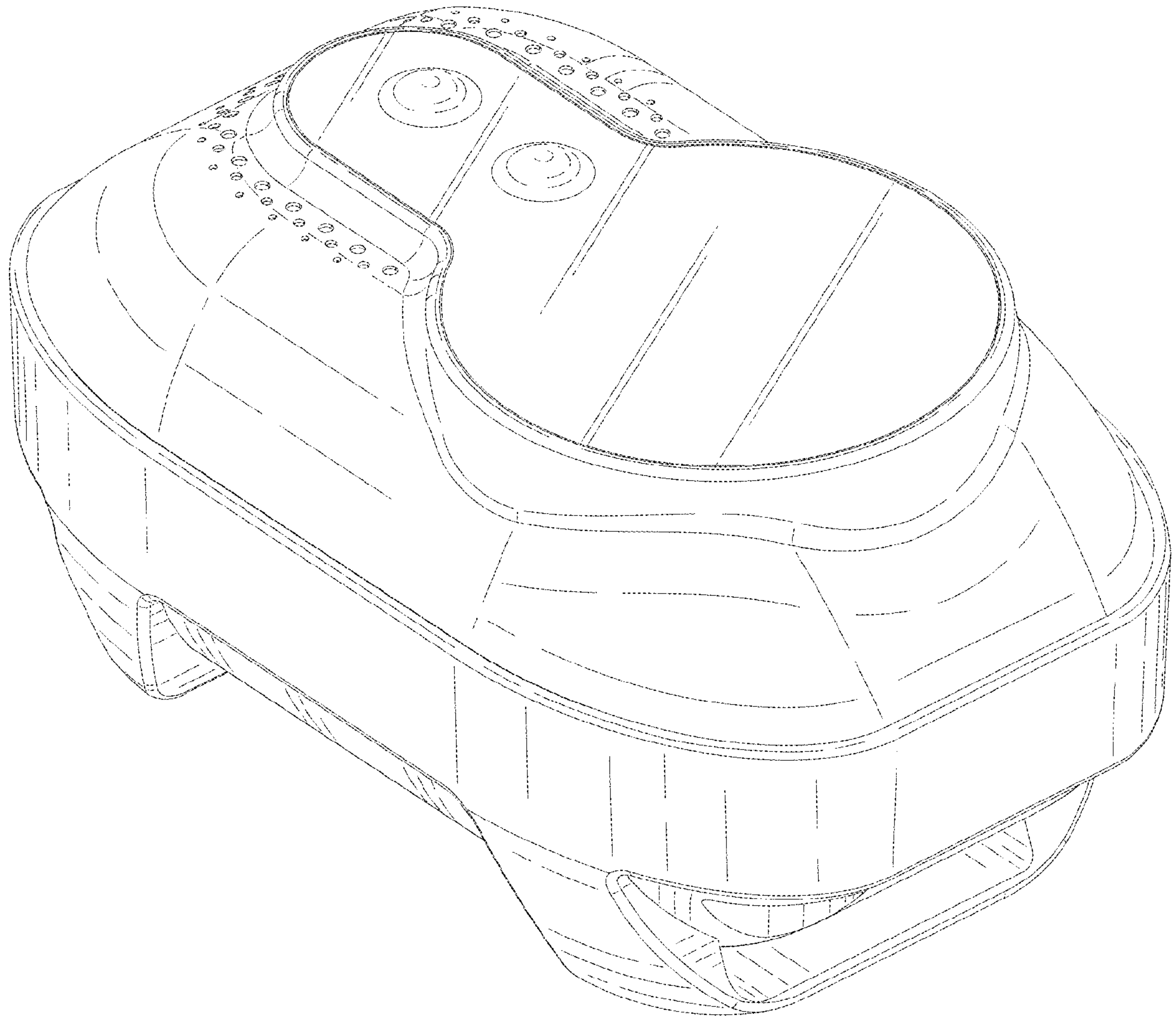


FIG. 1



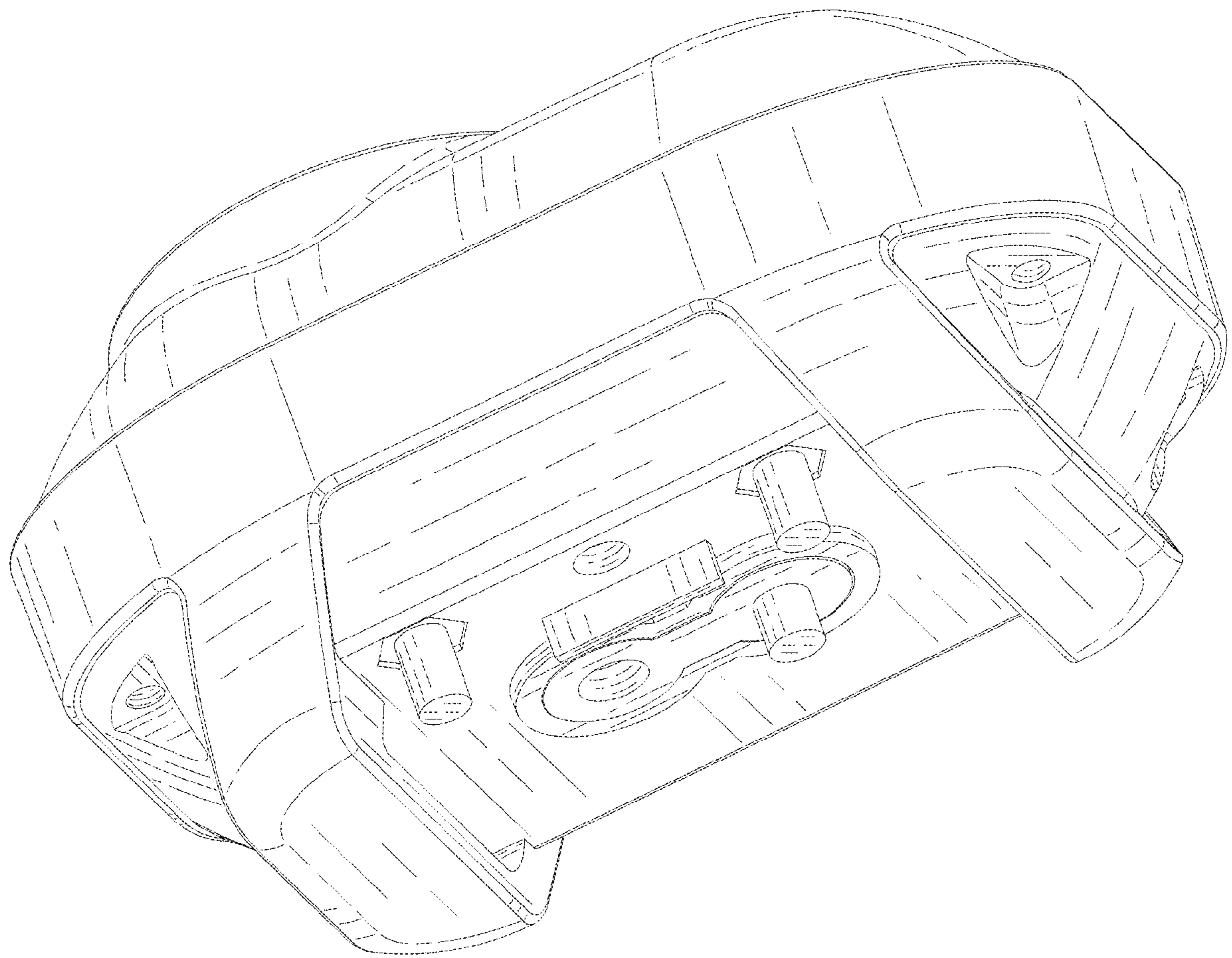


FIG. 2

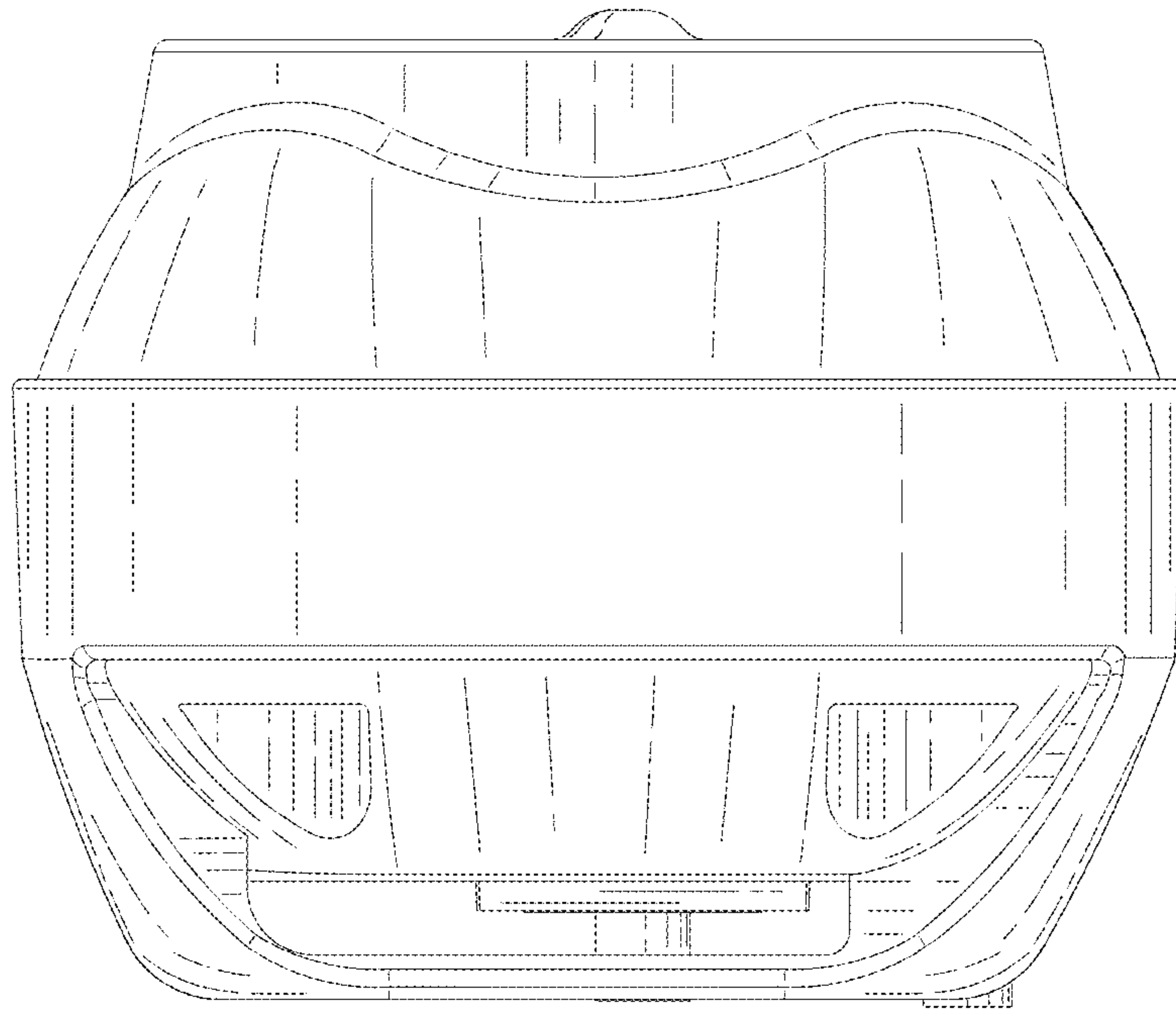


FIG. 3

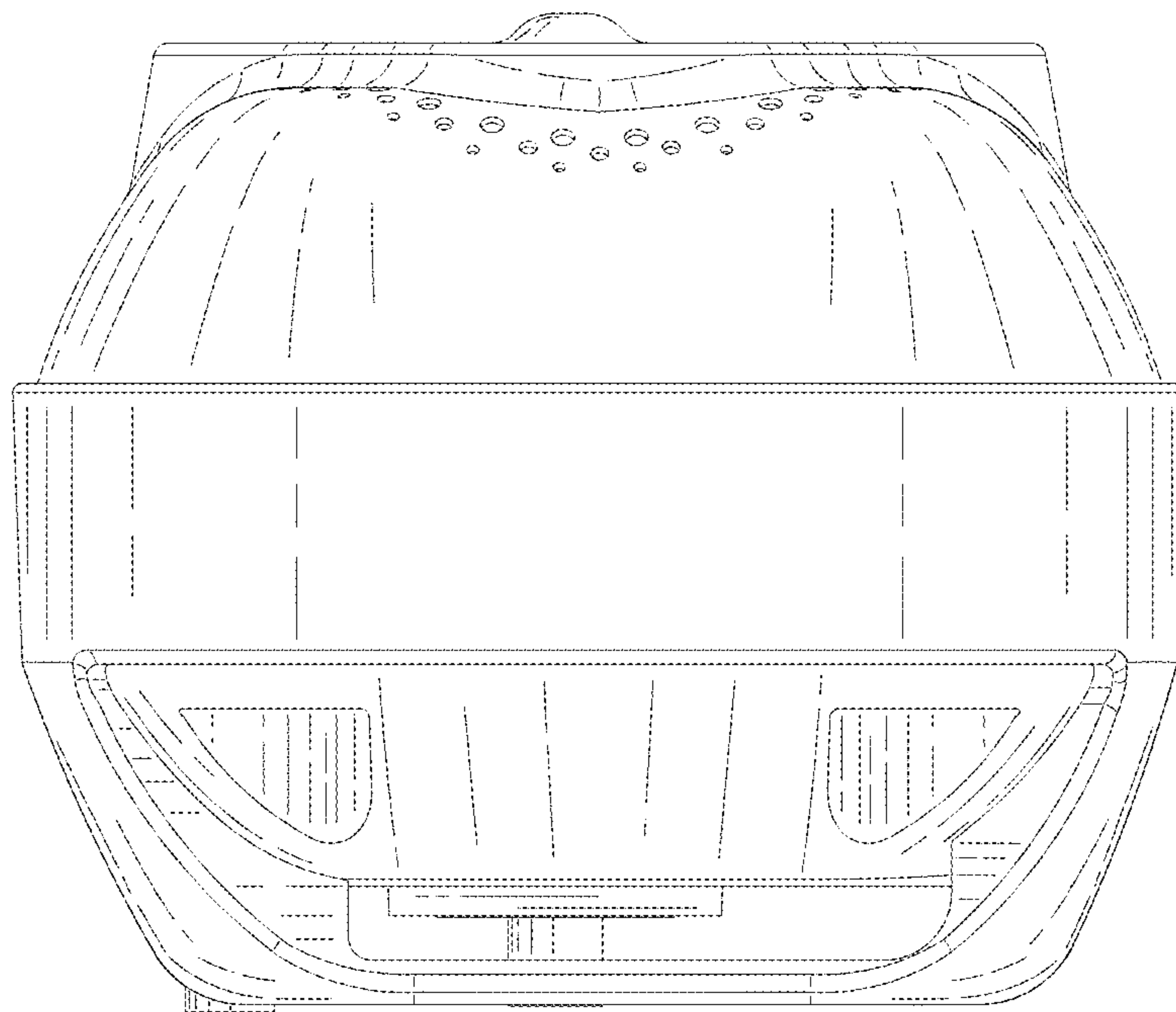


FIG. 4

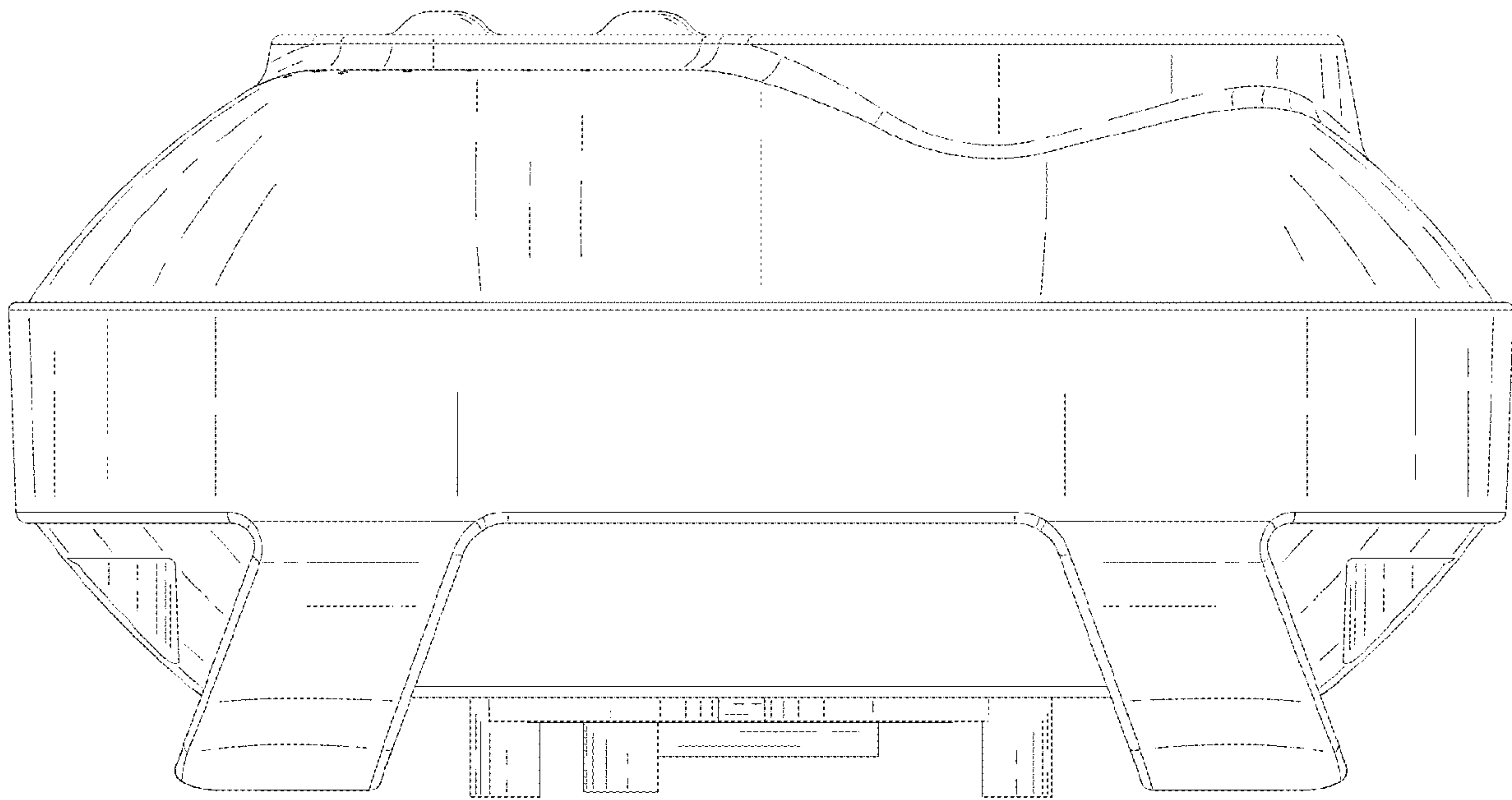


FIG. 5

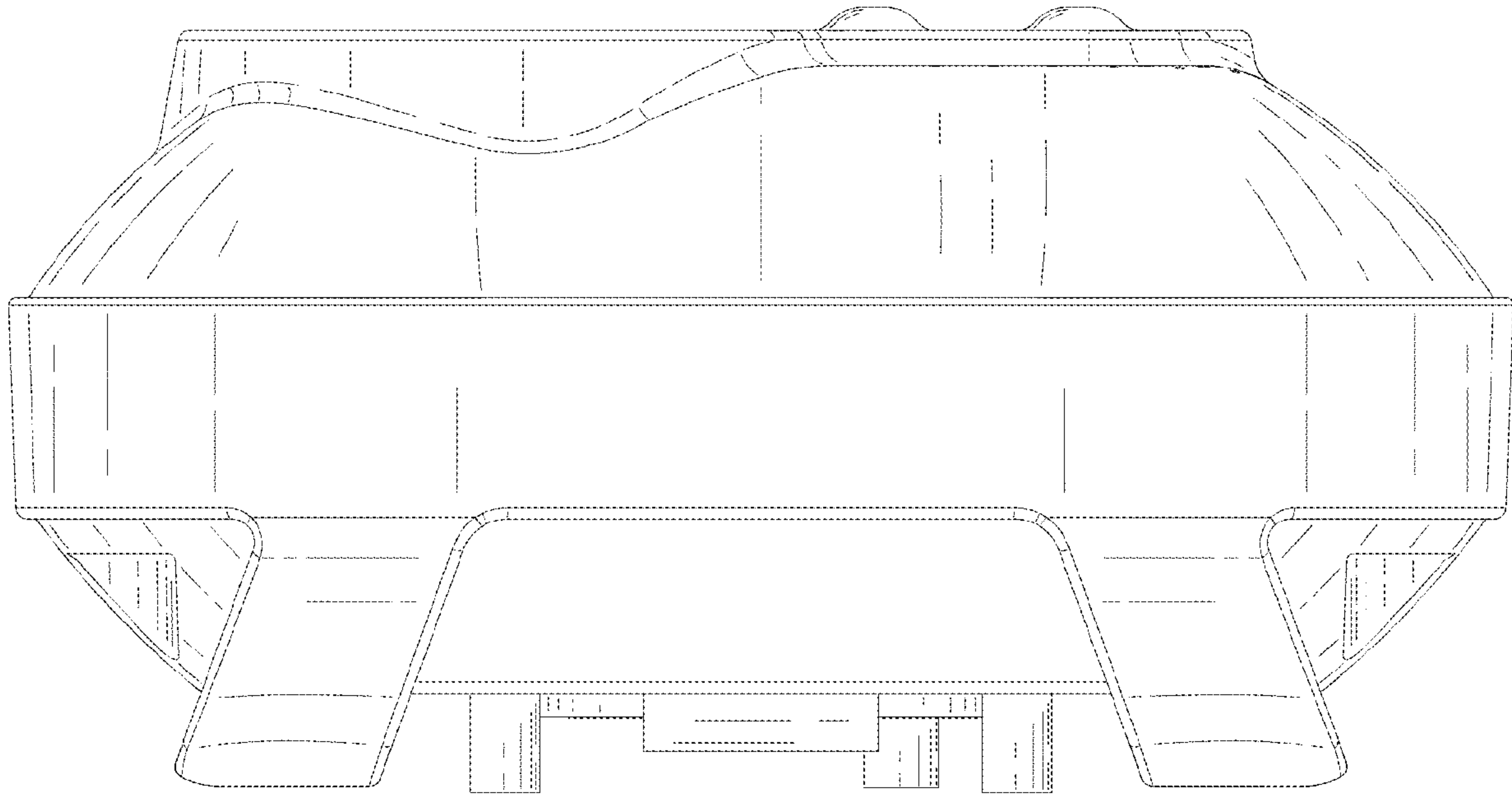


FIG. 6



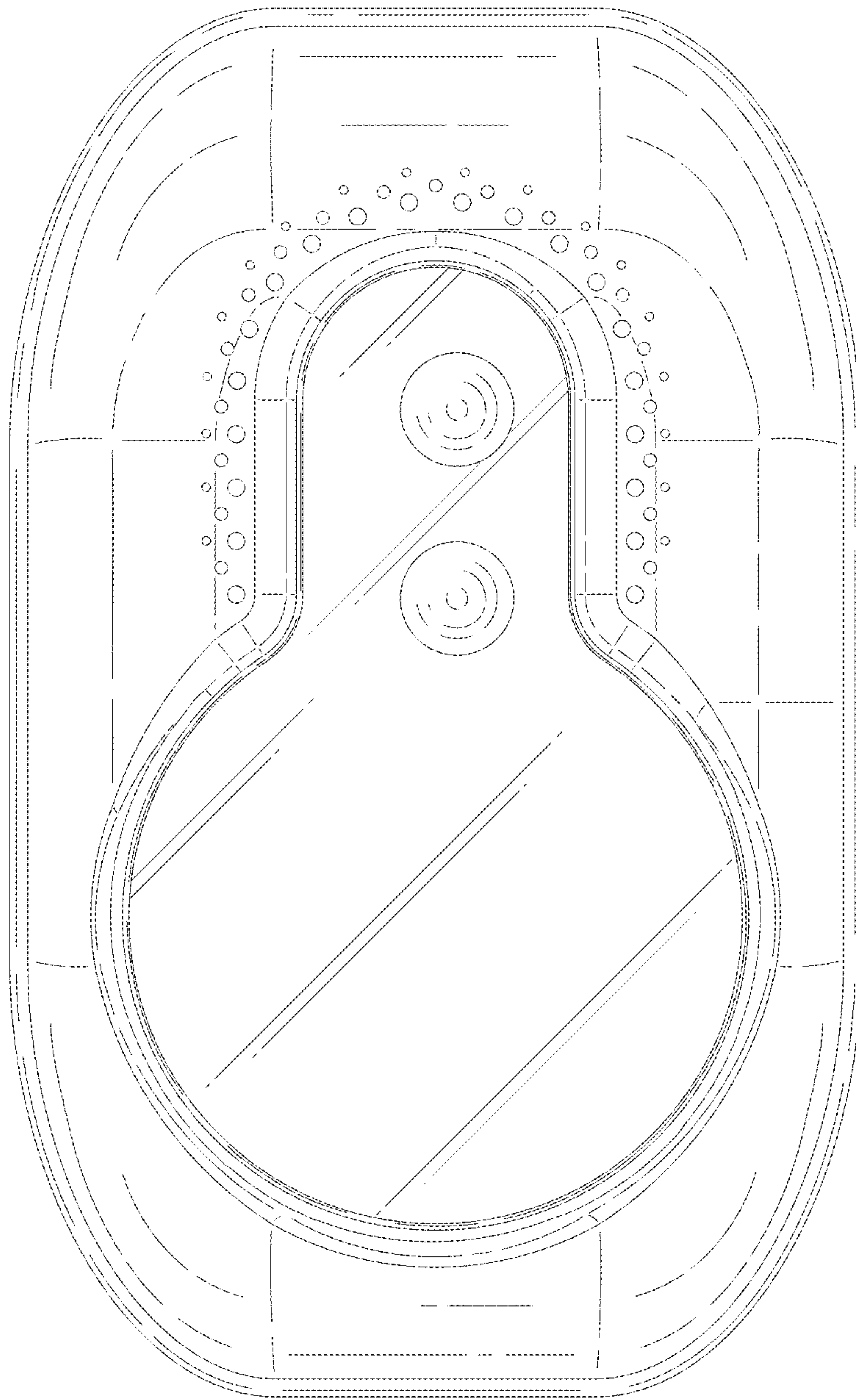


FIG. 7

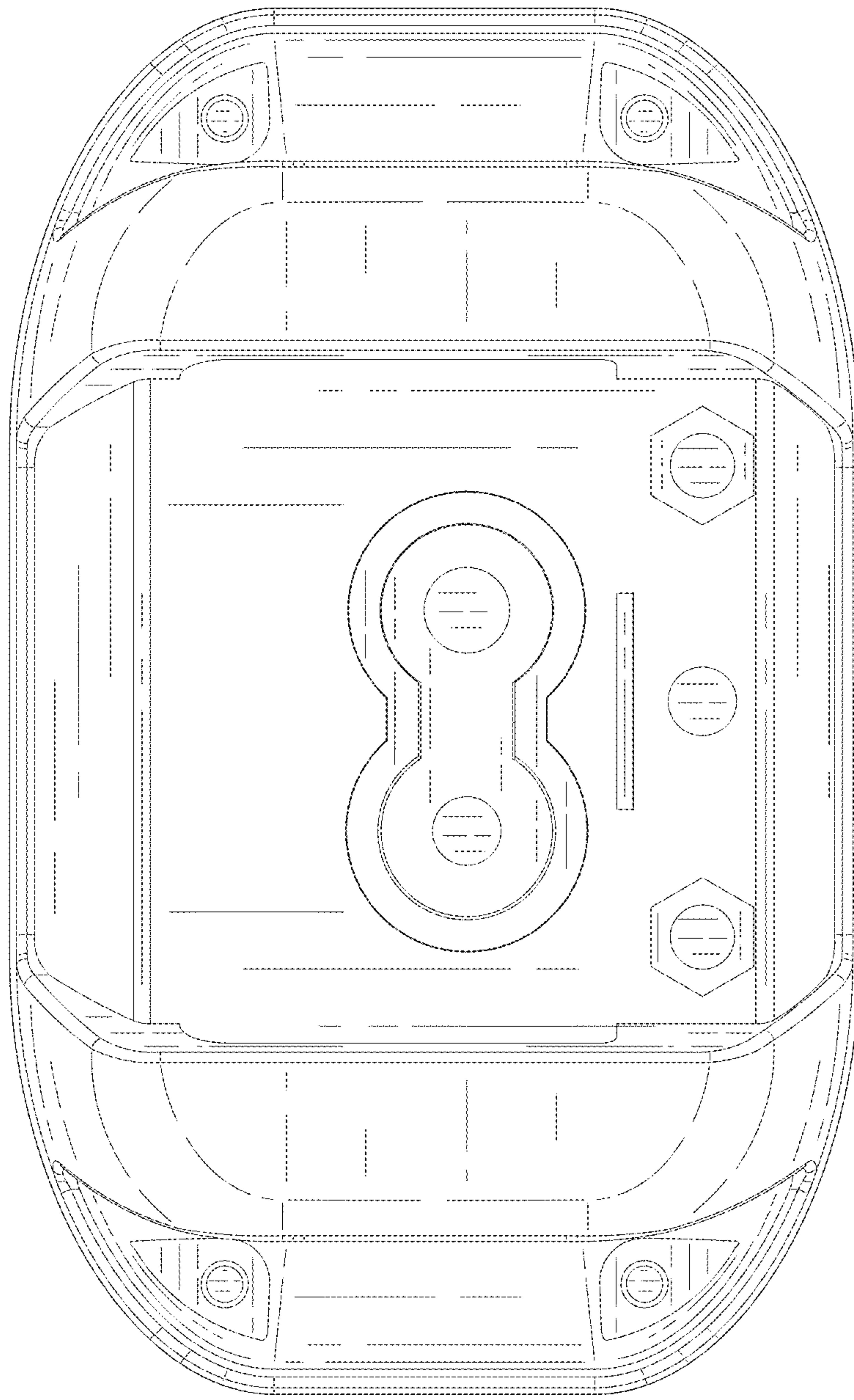


FIG. 8