



US00D963262S

(12) **United States Design Patent** (10) **Patent No.:** **US D963,262 S**  
**Xu et al.** (45) **Date of Patent:** **\*\* Sep. 6, 2022**

(54) **PET COMB**

D933,366 S \* 10/2021 Tseng ..... D4/100  
D940,469 S \* 1/2022 Sommer ..... D4/134  
D942,148 S \* 2/2022 Zhou ..... D4/113

(71) Applicant: **SHENZHEN LEBEN TECHNOLOGY CO., LTD.**, Shenzhen (CN)

FOREIGN PATENT DOCUMENTS

CN 306717116 \* 7/2021

(72) Inventors: **Xun Xu**, Shenzhen (CN); **Zhiping Liu**, Shenzhen (CN)

OTHER PUBLICATIONS

(73) Assignee: **SHENZHEN LEBEN TECHNOLOGY CO., LTD.**, Shenzhen (CN)

“AOLIGY Cat Self Groomer” available Mar. 16, 2022, [online], [site visited Mar. 16, 2022]. Retrieved from Internet, URL:https://www.amazon.com/AOLIGY-Automatic-Rotating-Rechargeable-Interactive/dp/B09SZ7SDZH/ref=sr\_1\_100 (Year: 2022).\*  
“Cat Toy” available Jan. 17, 2022, [online], [site visited Mar. 16, 2022]. Retrieved from Internet, URL:https://www.amazon.com/Rubbing-Suction-Tickling-Scratching-Supplies/dp/B09QKPSQBJ/ref=sr\_1\_113 (Year: 2022).\*

(\*\*) Term: **15 Years**

\* cited by examiner

(21) Appl. No.: **29/779,753**

(22) Filed: **Apr. 21, 2021**

(51) **LOC (13) Cl.** ..... **30-99**

(52) **U.S. Cl.**  
USPC ..... **D30/159**

(58) **Field of Classification Search**  
USPC ..... D30/158, 159, 160, 199; 119/600, 119/611–620, 625, 702, 703, 704, 707, 119/708, 709  
CPC .. A01K 15/027; A01K 15/025; A01K 13/002; A45D 24/10; A45D 24/18; A45D 24/20; A45D 24/16; A45D 24/00; A45D 24/02; A45D 24/04

See application file for complete search history.

*Primary Examiner* — W. A. Teddy Falloway  
*Assistant Examiner* — Katrina N Gonzalez

(57) **CLAIM**

The ornamental design for a pet comb, as shown and described.

**DESCRIPTION**

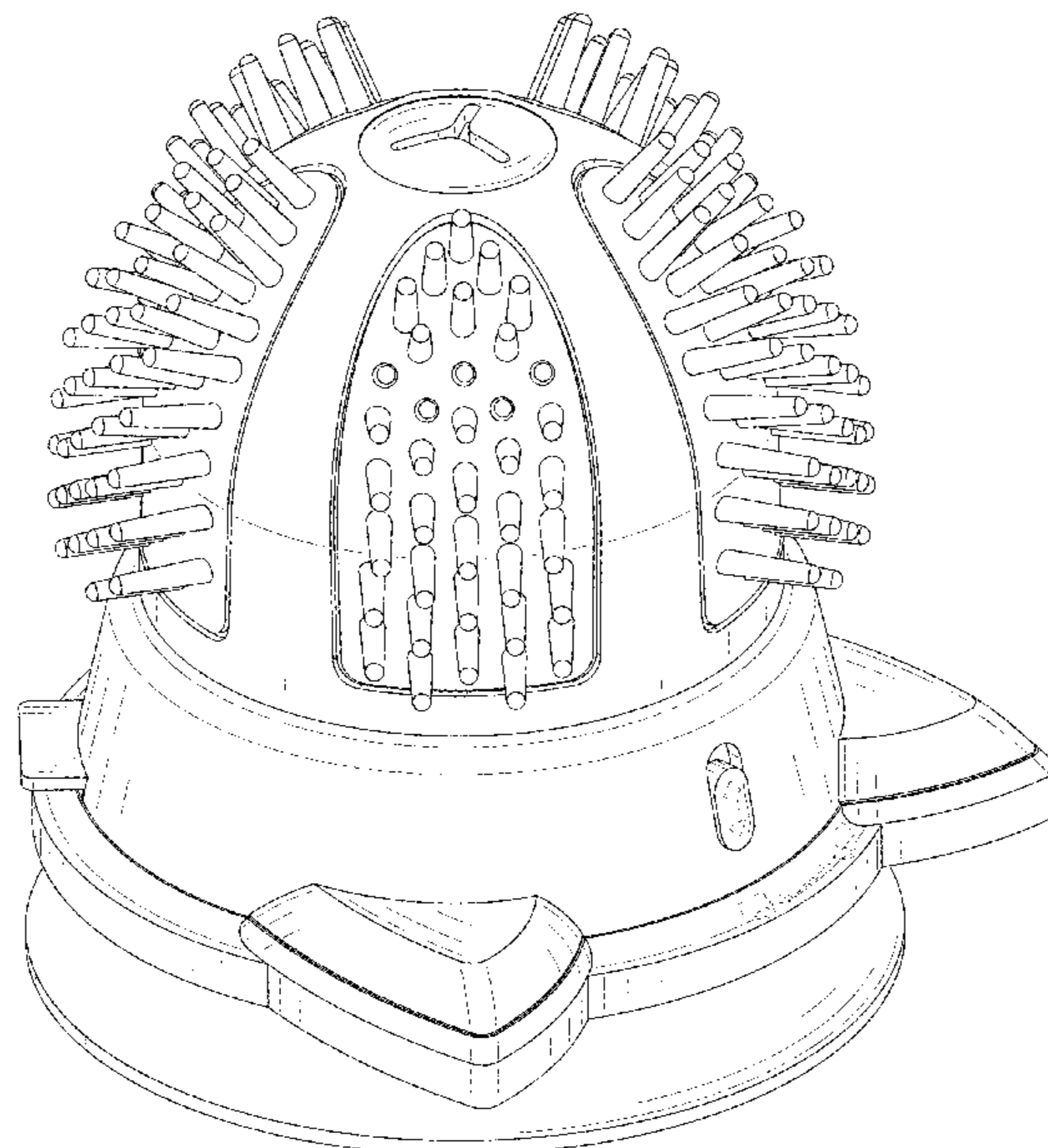
FIG. 1 is a perspective view of a pet comb showing my new design;  
FIG. 2 is another perspective view thereof;  
FIG. 3 is a front elevational view thereof;  
FIG. 4 is a rear elevational view thereof;  
FIG. 5 is a left side elevational view thereof;  
FIG. 6 is a right side elevational view thereof;  
FIG. 7 is a top plan view thereof; and,  
FIG. 8 is a bottom plan view thereof.  
The broken lines in the drawings depict portions of the pet comb that form no part of the claimed design.

(56) **References Cited**

U.S. PATENT DOCUMENTS

D576,796 S \* 9/2008 Roman ..... D4/103  
9,320,348 B2 \* 4/2016 Sabet ..... A46B 5/04  
D812,319 S 3/2018 Singer  
D836,855 S 12/2018 Moeller  
D919,198 S \* 5/2021 Katopis ..... D30/158  
D932,189 S \* 10/2021 Tseng ..... D4/100

**1 Claim, 8 Drawing Sheets**



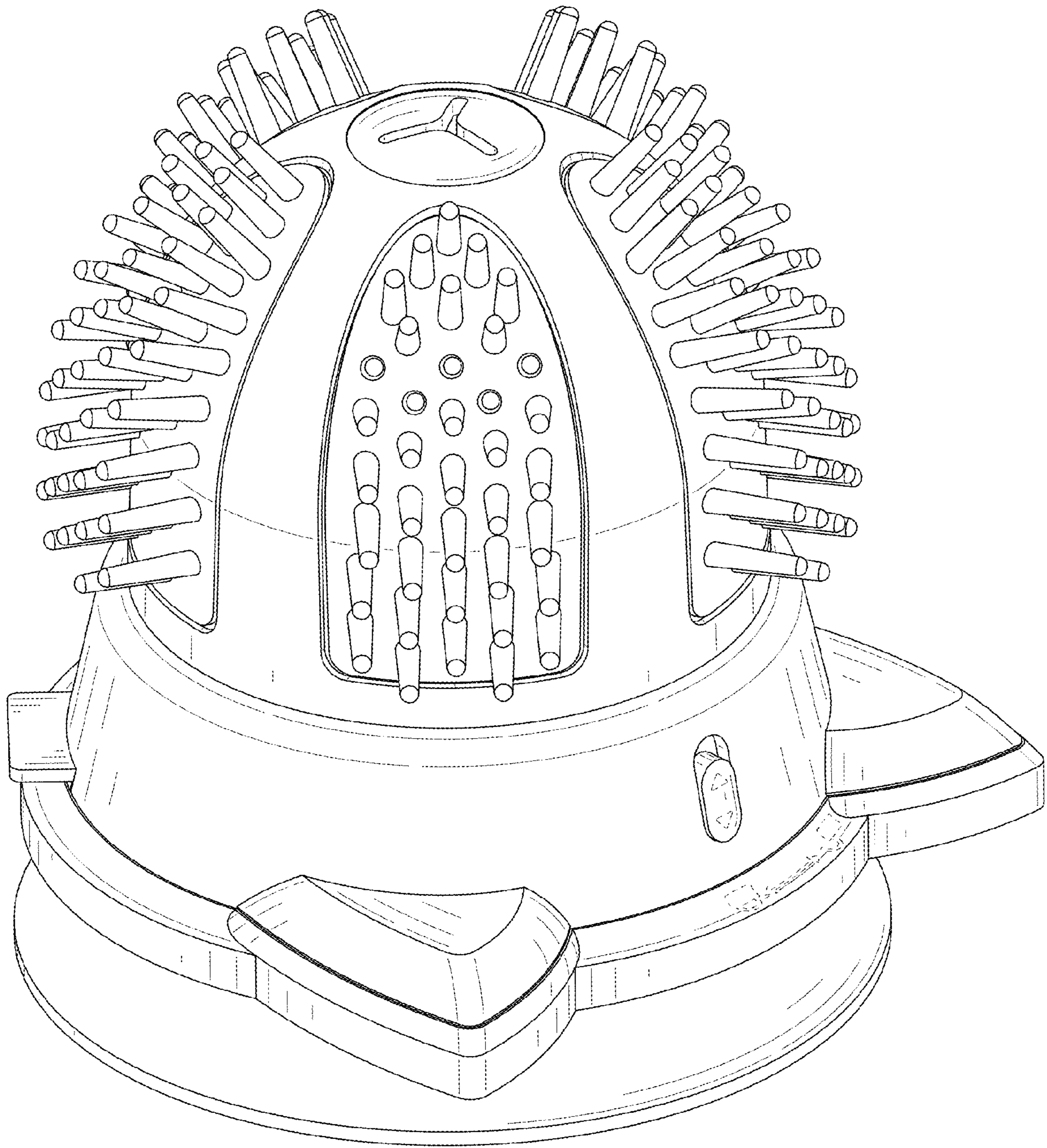


FIG. 1

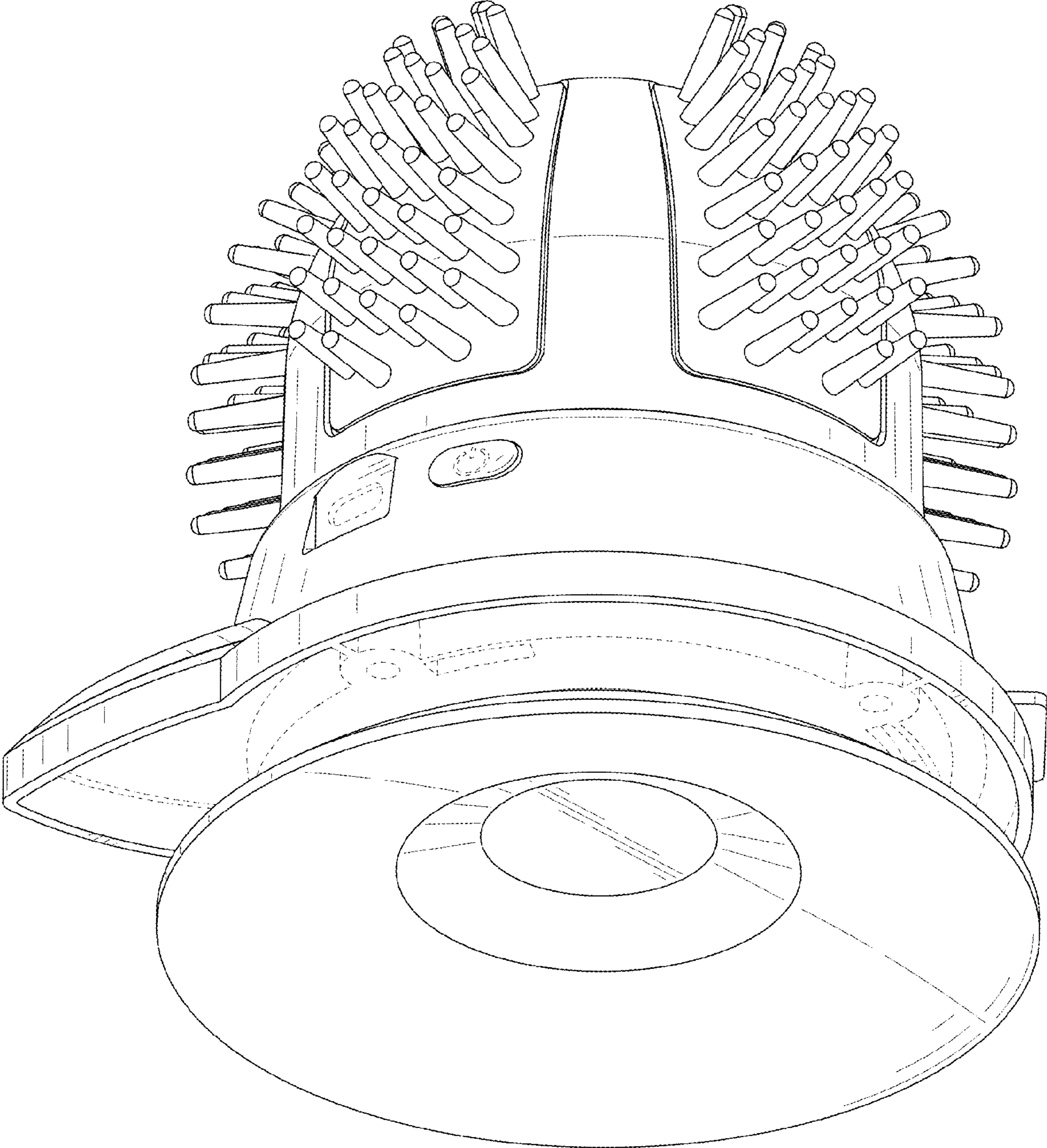


FIG. 2

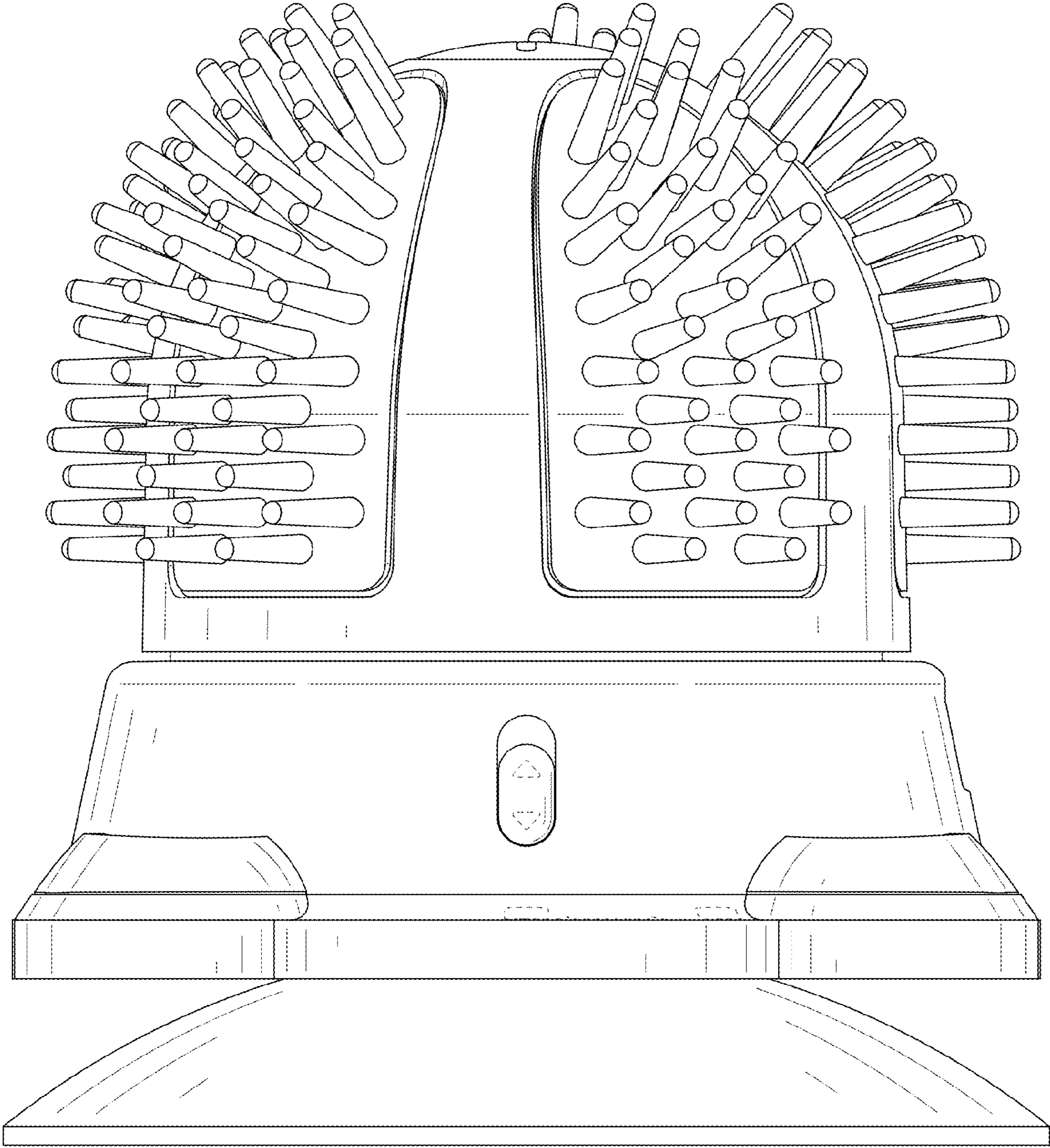


FIG. 3

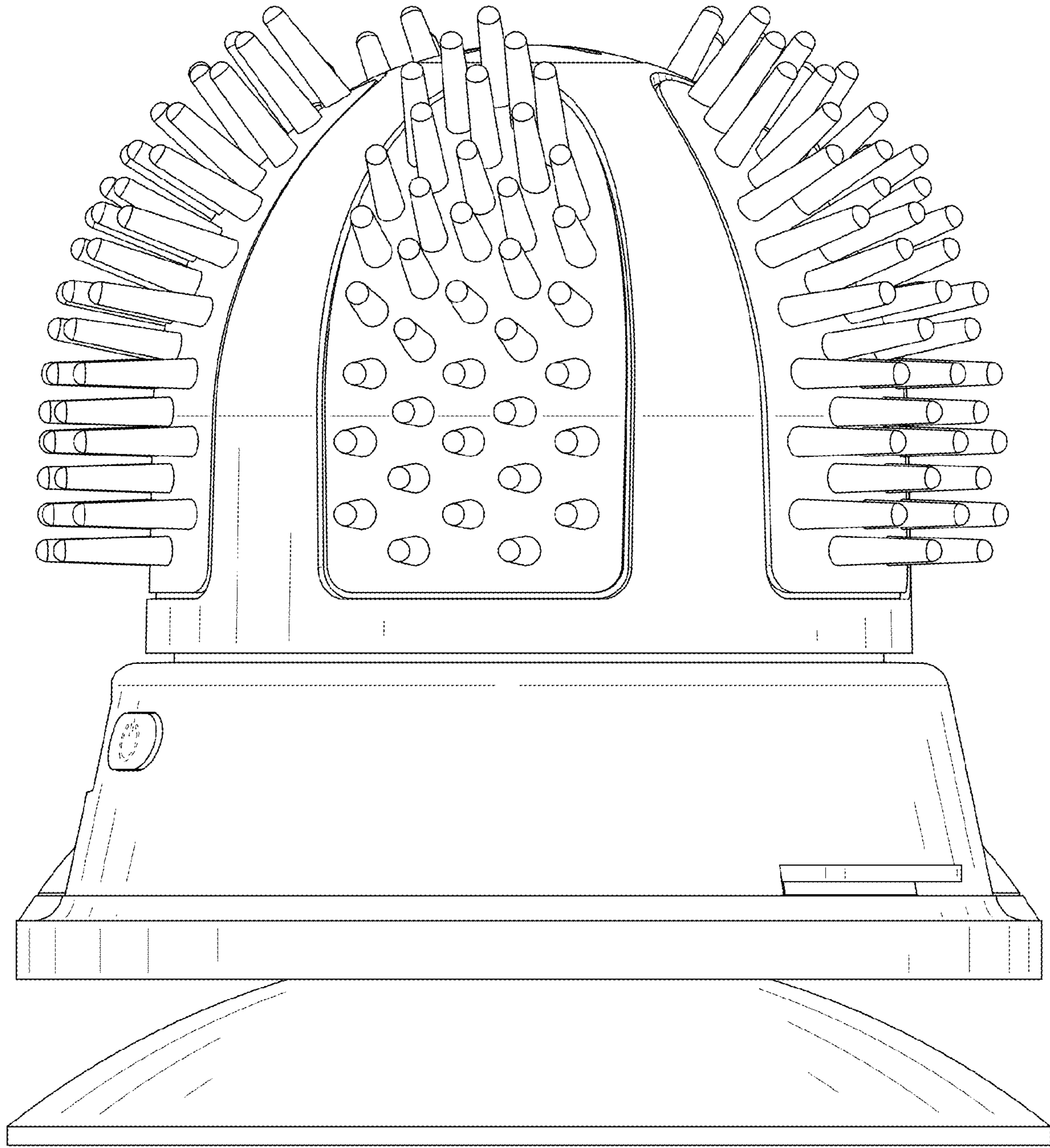


FIG. 4

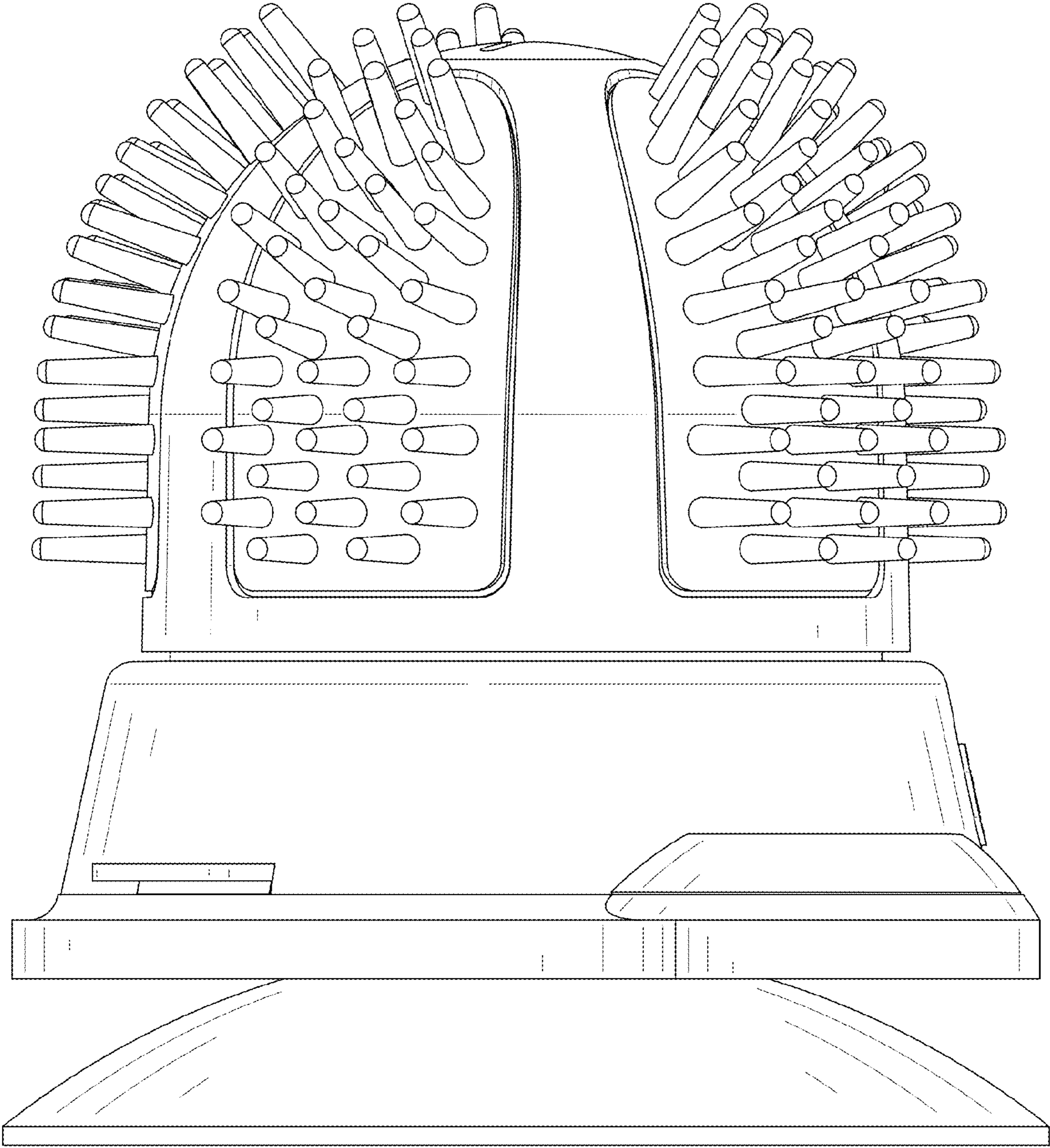


FIG. 5

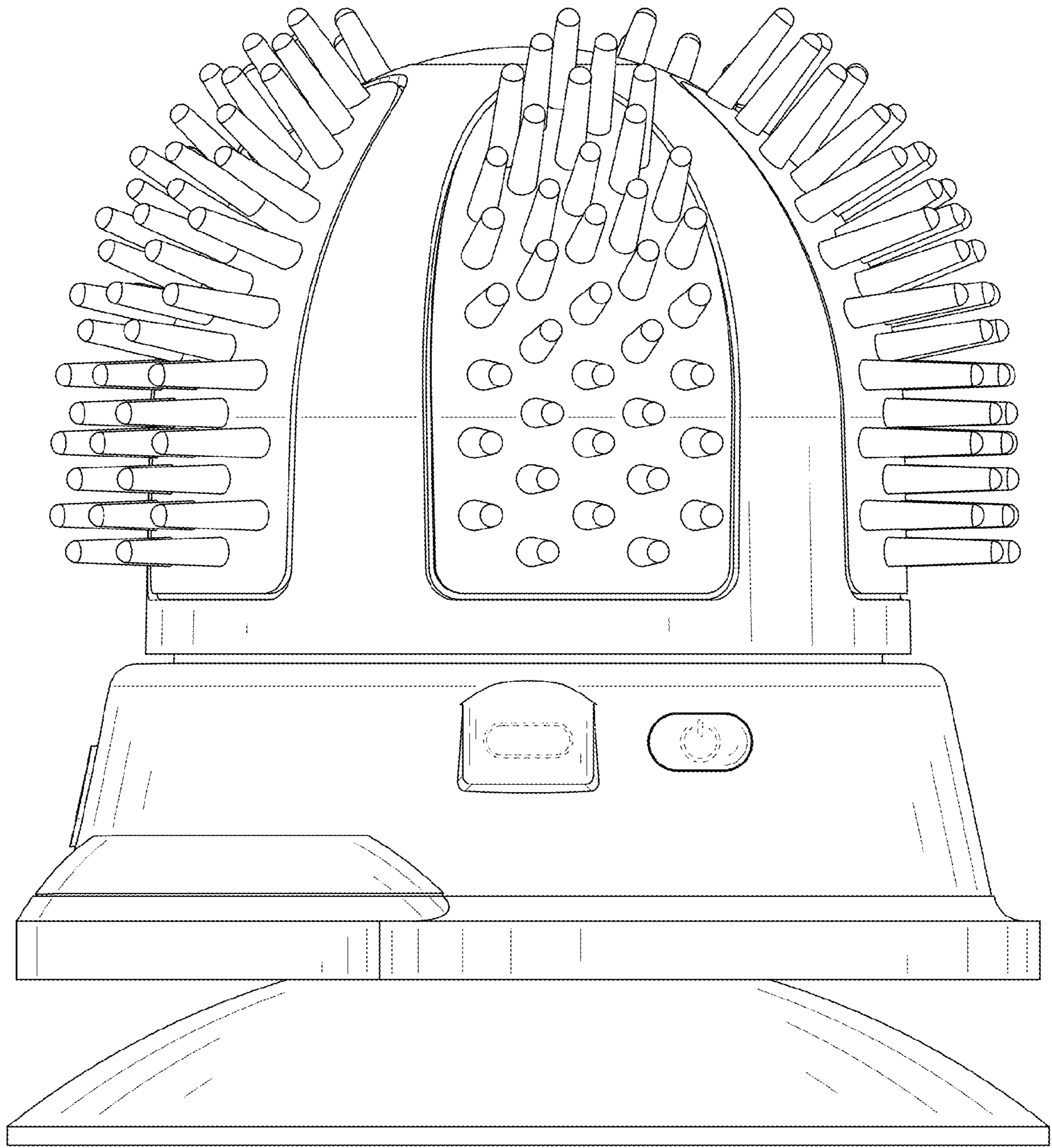


FIG. 6

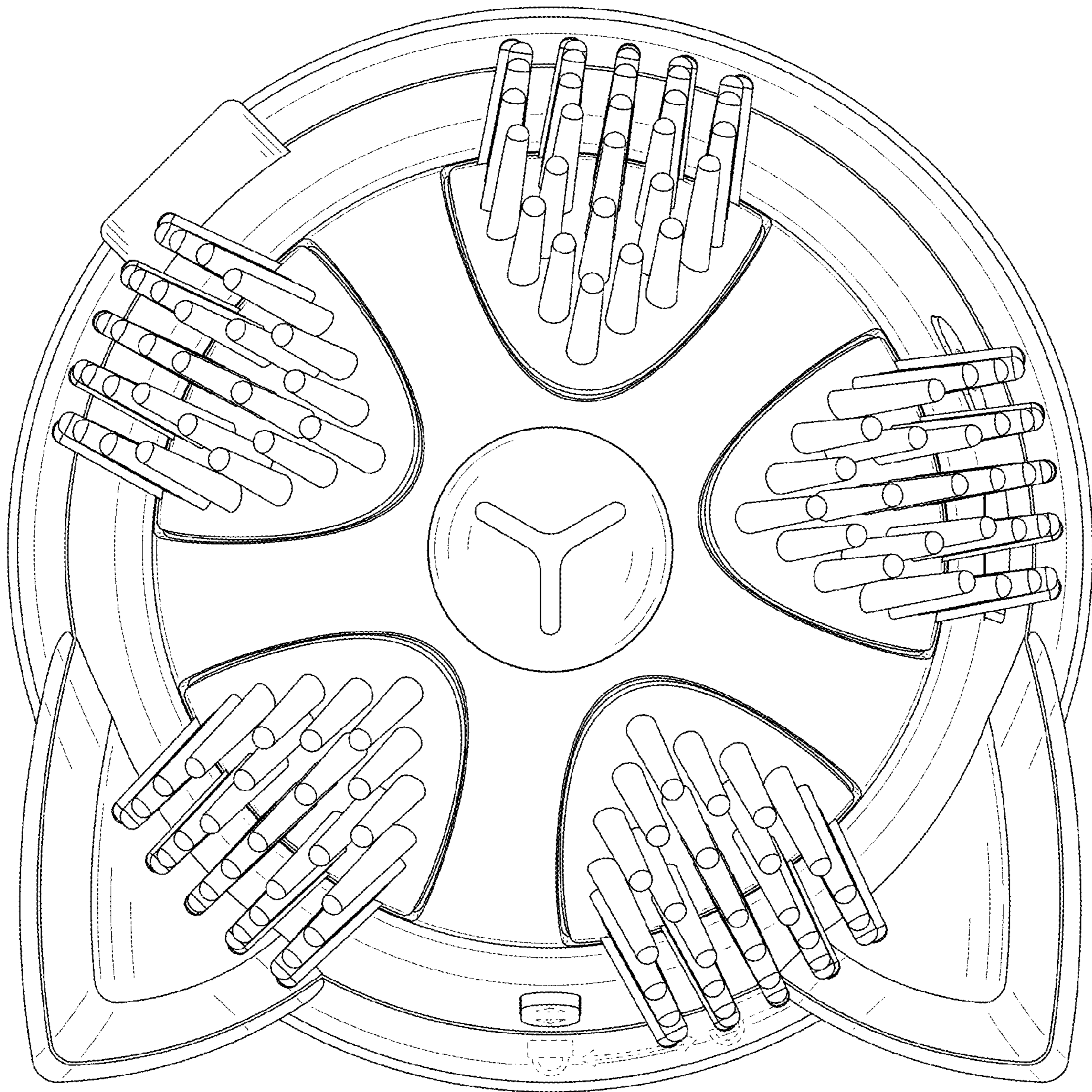


FIG. 7



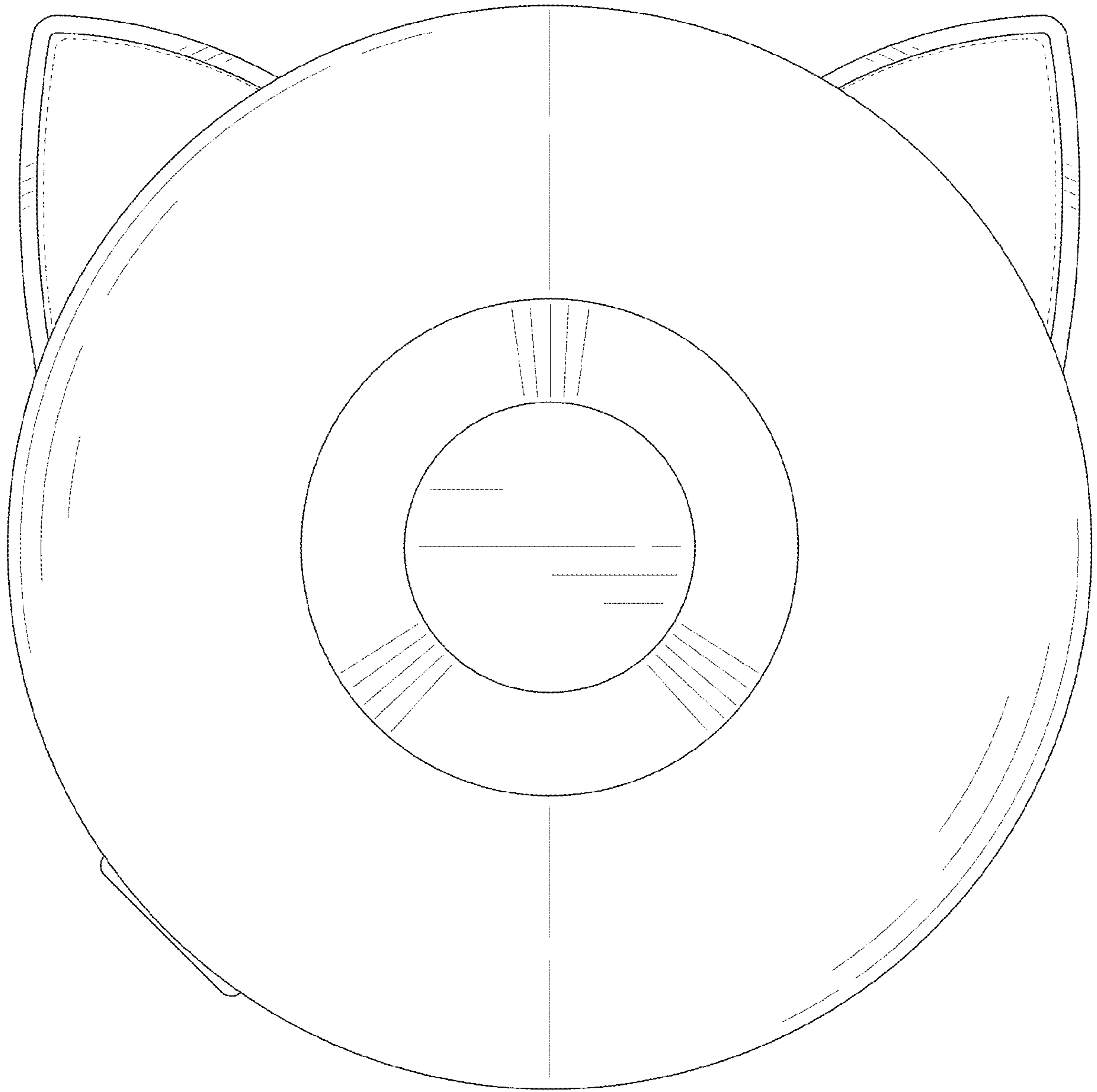


FIG. 8