



US00D963259S

(12) **United States Design Patent** (10) **Patent No.:** **US D963,259 S**
Yue (45) **Date of Patent:** **** Sep. 6, 2022**

(54) **PET VEST HARNESS**

D621,561 S * 8/2010 Siklosi D30/153
D638,176 S * 5/2011 Mugford D30/152
8,381,688 B1 * 2/2013 Wejrowski A01K 27/002
119/863

(71) Applicant: **DONGGUAN QGT LIMITED,**
Dongguan (CN)

(Continued)

(72) Inventor: **Yu Shan Yue,** Wuwei (CN)

FOREIGN PATENT DOCUMENTS

(73) Assignee: **DONGGUAN QGT LIMITED,**
Dongguan (CN)

CN 306238420 * 12/2020
CN 306755381 * 8/2021
KR 301153437 * 4/2022

(**) Term: **15 Years**

OTHER PUBLICATIONS

(21) Appl. No.: **29/775,516**

Auroth Tactical Dog Harness for Large Dogs, available in Amazon.com, date first available Sep. 5, 2019 [online], [site visited Jun. 28, 2022], Available from the internet URL: <https://www.amazon.com/FIVEWOODY-Tactical-Training-Adhesion-Reflective/dp/B07XKR9HG1> (Year: 2019).*

(22) Filed: **Mar. 24, 2021**

(51) **LOC (13) Cl.** **30-04**

(52) **U.S. Cl.**
USPC **D30/152**

(58) **Field of Classification Search**
USPC D30/145, 152, 153
CPC A01K 25/00; A01K 27/00; A01K 27/001;
A01K 27/002; A01K 27/003; A01K
27/004; A01K 27/005

See application file for complete search history.

(Continued)

Primary Examiner — Jennifer L Rempfer
Assistant Examiner — Elizabeth Anne Glassberg
(74) *Attorney, Agent, or Firm* — Georgi Korobanov

(56) **References Cited**

(57) **CLAIM**

The ornamental design for a pet vest harness, as shown and described.

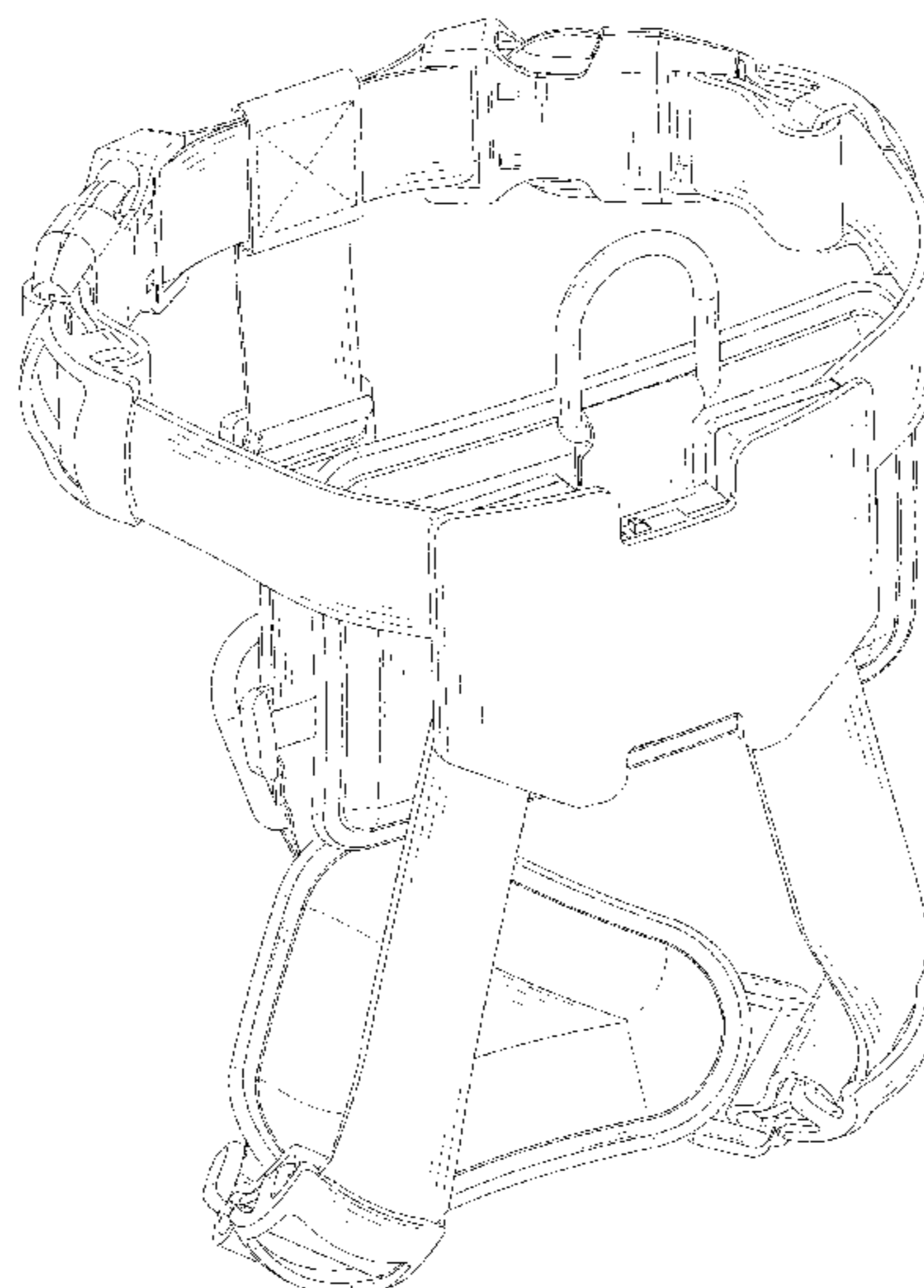
U.S. PATENT DOCUMENTS

DESCRIPTION

1,906,043 A * 4/1933 Bernstein A01K 27/002
119/856
D293,139 S * 12/1987 Roa D30/152
5,146,875 A * 9/1992 Bolt A01K 27/007
119/860
5,427,061 A * 6/1995 McCullough A01K 1/0272
119/771
D424,761 S * 5/2000 Mortenson D30/152
D434,535 S * 11/2000 Koch D30/152
6,167,844 B1 * 1/2001 Cantrell A01K 27/002
119/856
6,397,784 B1 * 6/2002 Morgan-Albertson
A01K 27/002
119/856
D511,596 S * 11/2005 Mugford D30/152
D591,011 S * 4/2009 Madere D30/151

FIG. 1 is a perspective view of a pet vest harness showing my new design;
FIG. 2 is another perspective view thereof;
FIG. 3 is a front elevational view thereof;
FIG. 4 is a rear elevational view thereof;
FIG. 5 is a left side elevational view thereof;
FIG. 6 is a right side elevational view thereof;
FIG. 7 is a top plan view thereof; and,
FIG. 8 is a bottom plan view thereof.
The broken lines in the drawings depict portions of the pet vest harness that form no part of the claimed design.

1 Claim, 8 Drawing Sheets



(56)

References Cited

U.S. PATENT DOCUMENTS

D841,261	S *	2/2019	Backus	D30/152
D862,003	S *	10/2019	Wu	D30/152
2004/0000273	A1 *	1/2004	Lady	A01K 27/002 119/792
2008/0105216	A1 *	5/2008	Sporn	A01K 27/002 119/863
2010/0263602	A1 *	10/2010	Cho	A01K 27/002 119/792
2011/0067648	A1 *	3/2011	Siklosi	A01K 27/002 119/863
2011/0271913	A1 *	11/2011	Min	A01K 27/002 119/856
2012/0234261	A1 *	9/2012	Nelson	A01K 27/002 119/792
2012/0318211	A1 *	12/2012	Madonna	A01K 27/002 119/792
2014/0202398	A1 *	7/2014	Woodward	A01K 27/002 119/863
2014/0311423	A1 *	10/2014	Roney, III	A01K 27/002 119/856
2016/0066544	A1 *	3/2016	Sporn	A01K 27/002 119/863
2018/0116175	A1 *	5/2018	Lui	A01K 27/001

OTHER PUBLICATIONS

Tactical Dog Vest-Training Outdoor Breathable Harness, available in Amazon.com, date first available Nov. 22, 2018 [online], [site visited Jun. 27, 2022], Available from the internet URL: <https://www.amazon.com/Hanshengday-Vest-Training-Harness-Military-Water-Resistant-Backpack-Pet/dp/B07PK16JGX?th=1> (Year: 2018).*

* cited by examiner

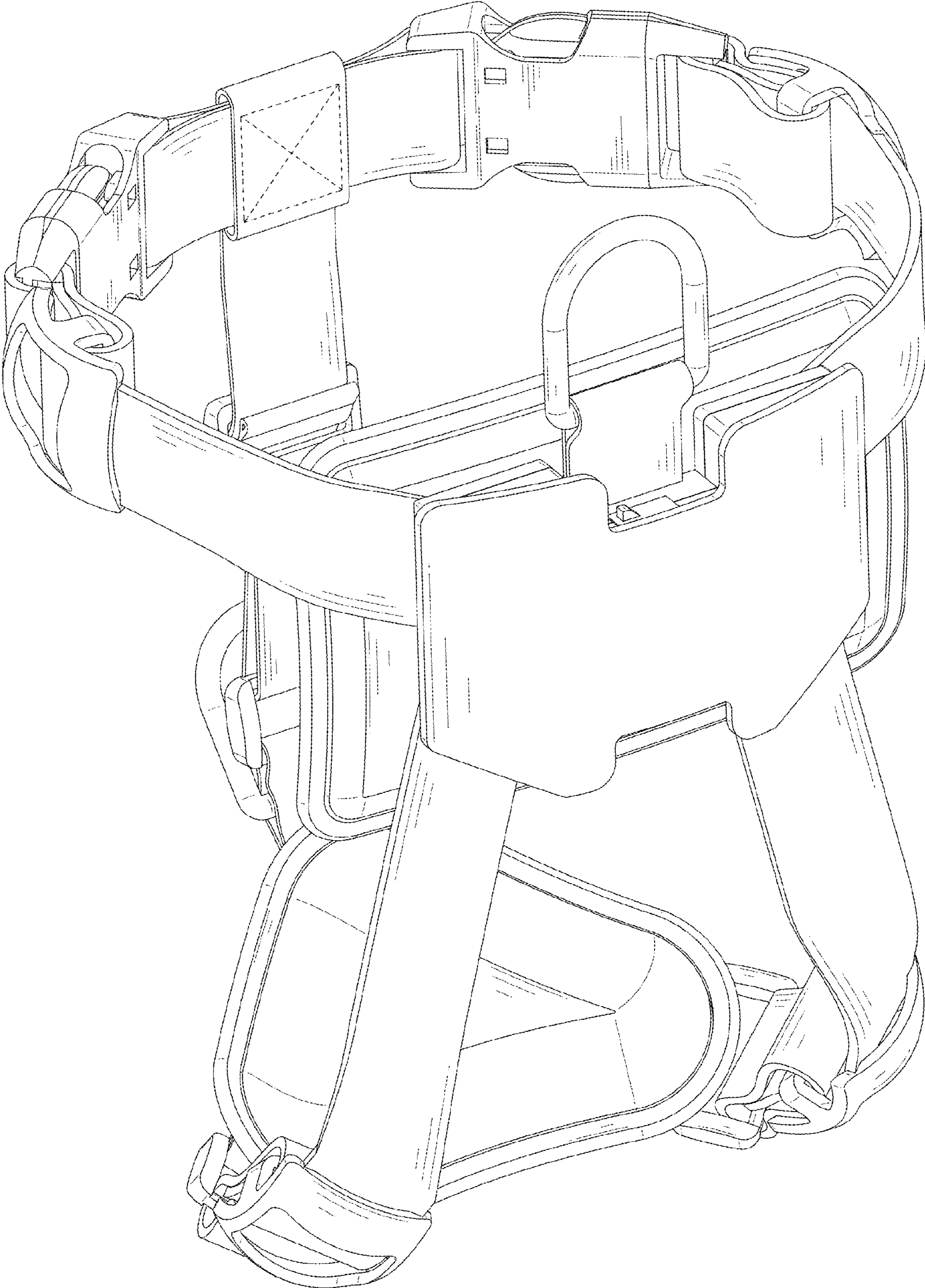


FIG. 1

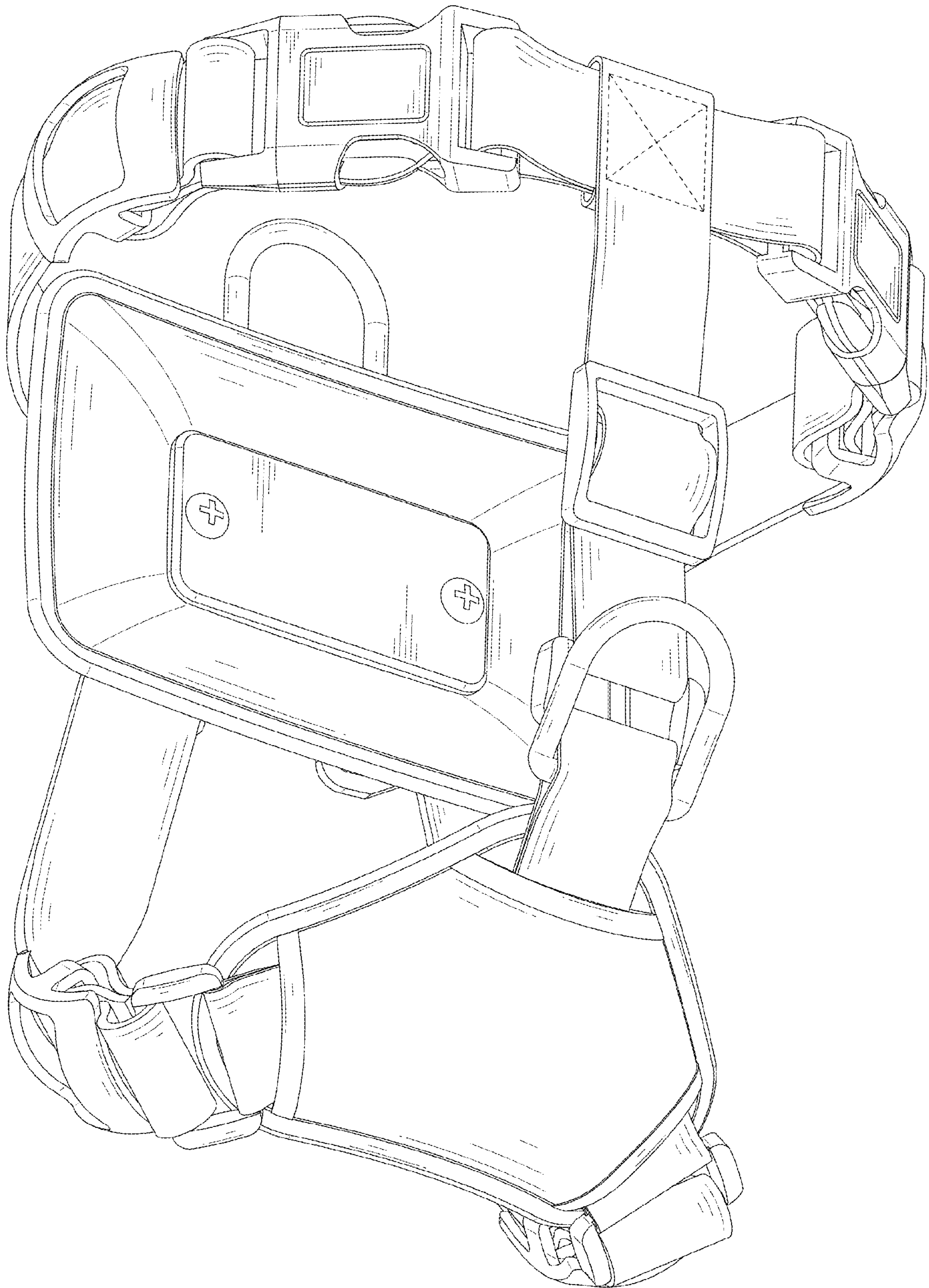


FIG. 2

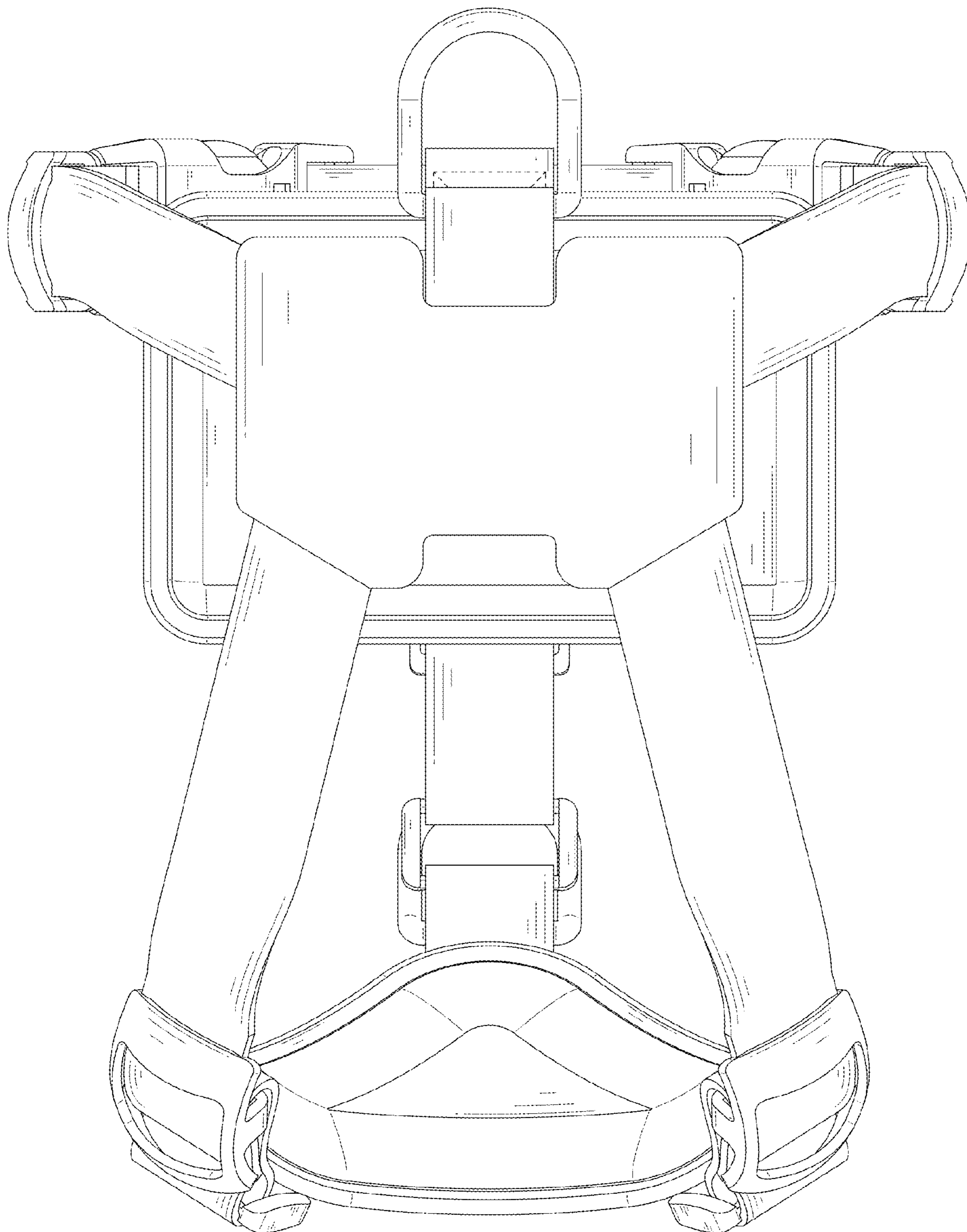


FIG. 3

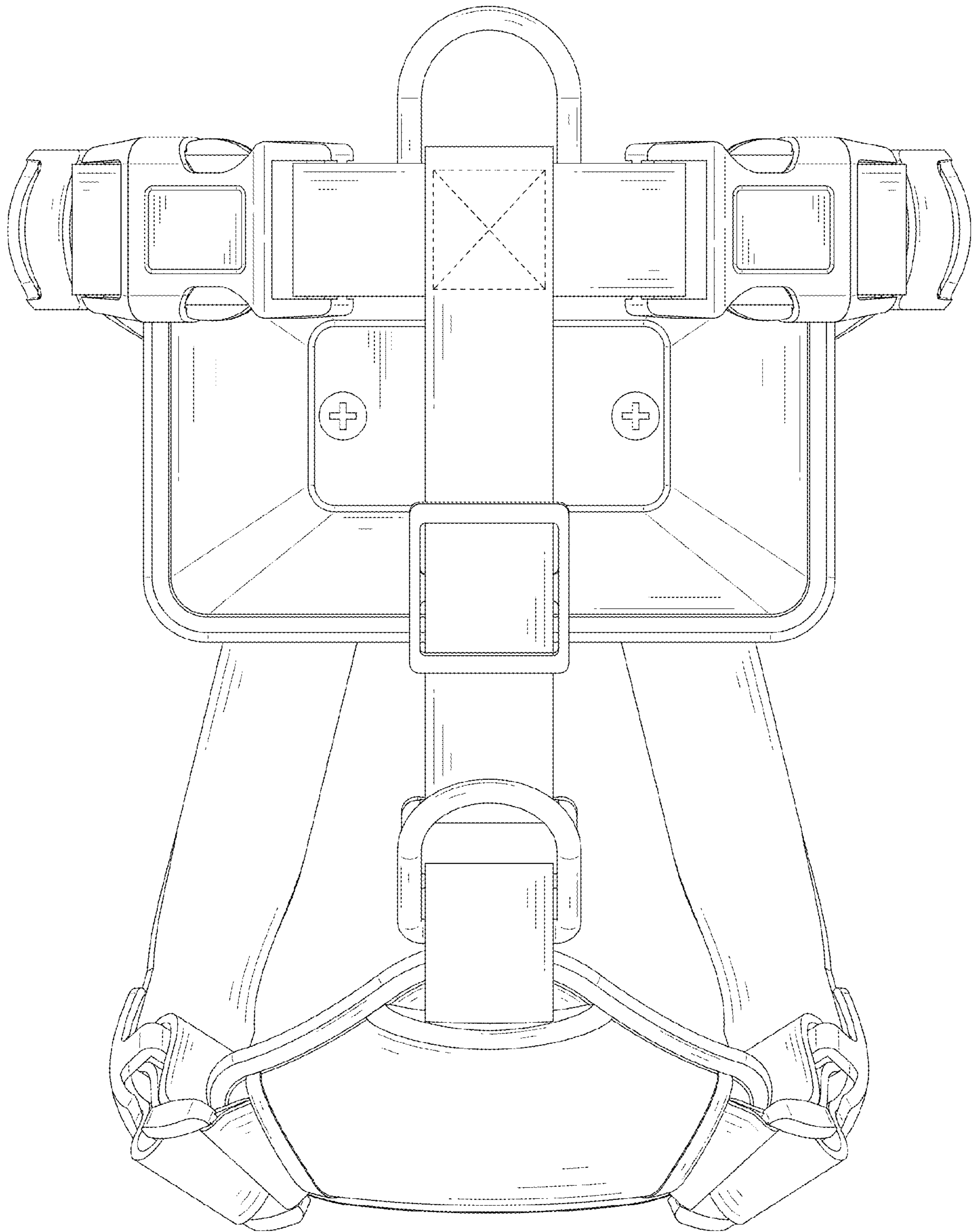


FIG. 4

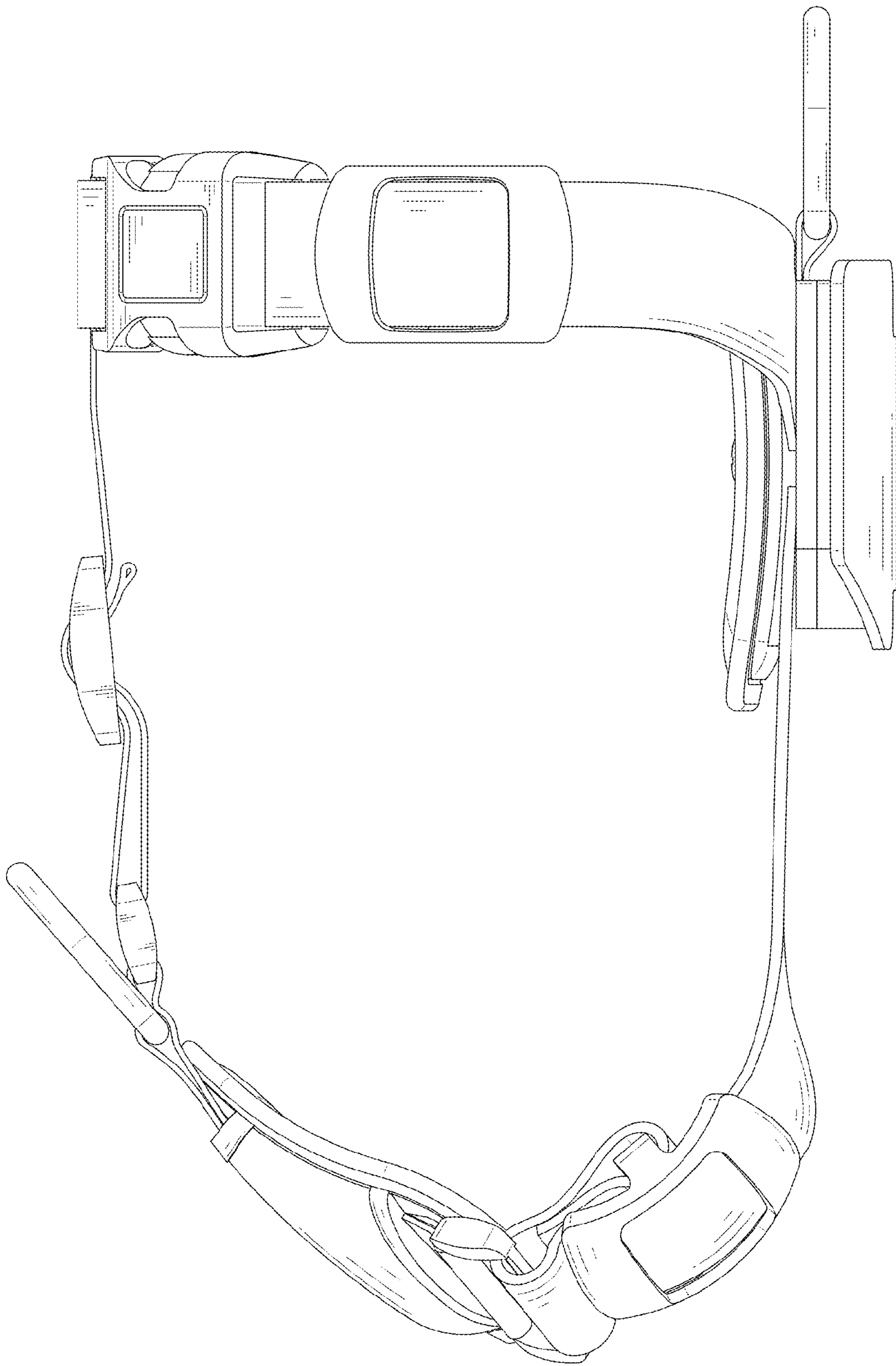


FIG. 5

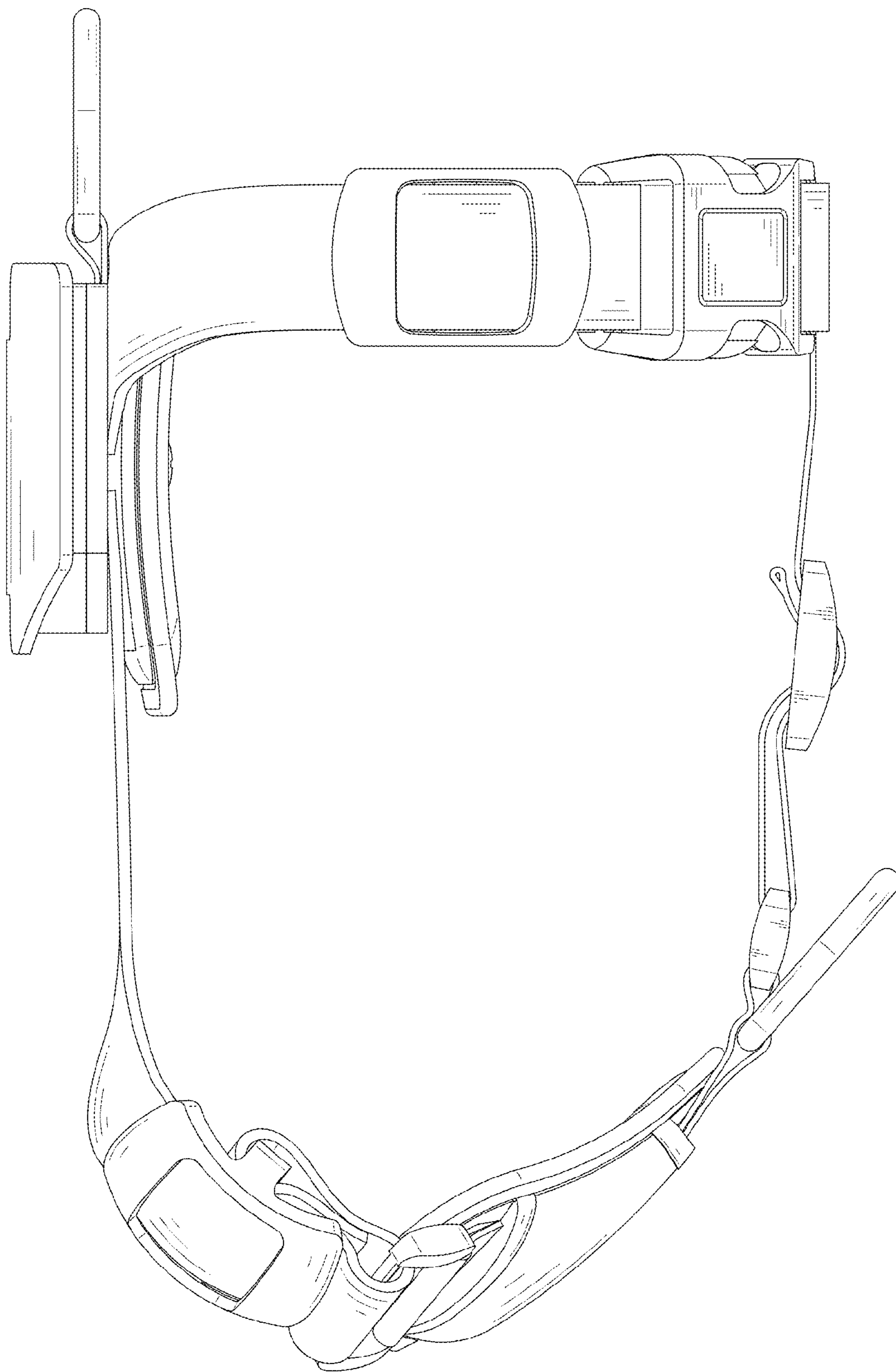


FIG. 6

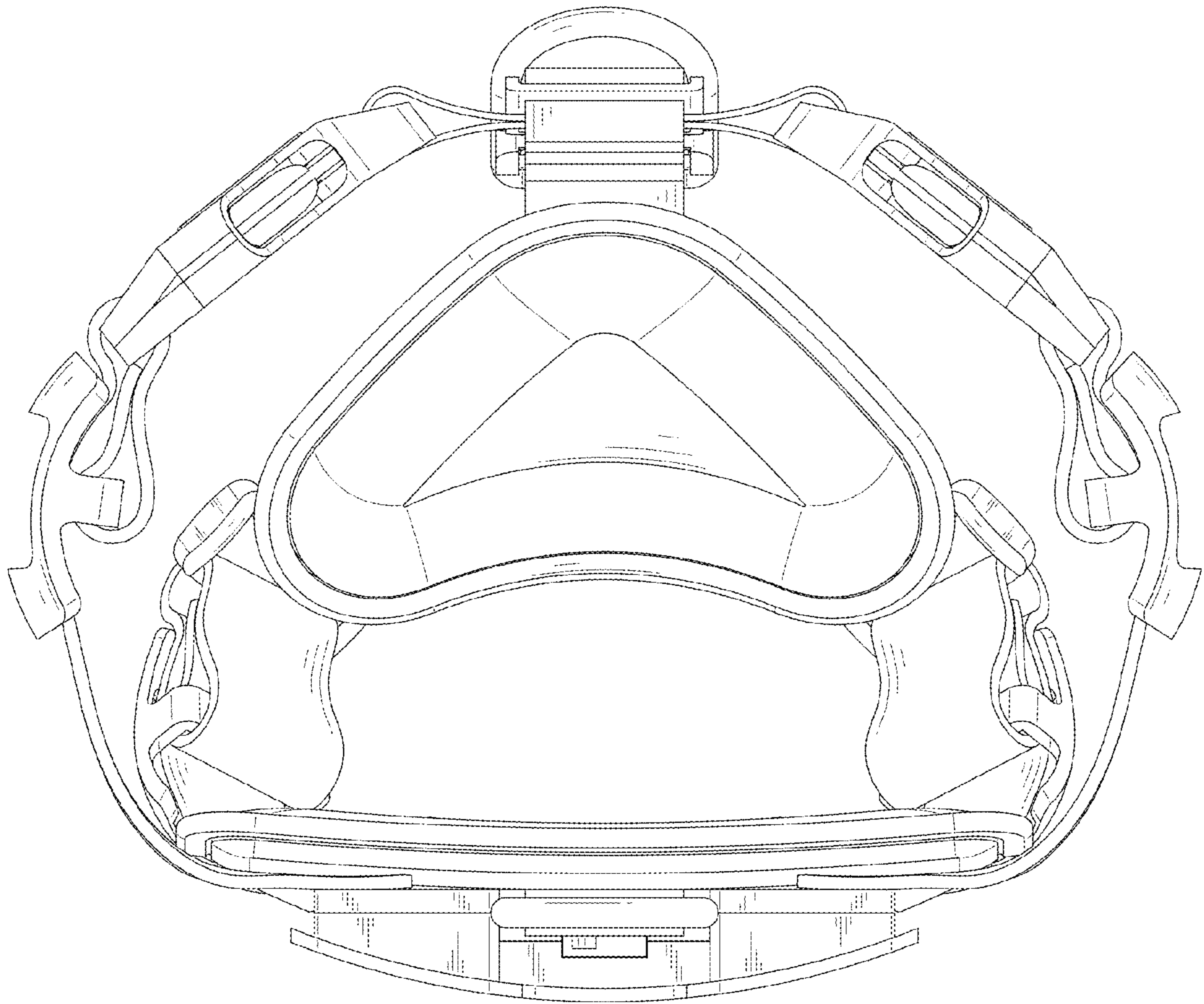


FIG. 7

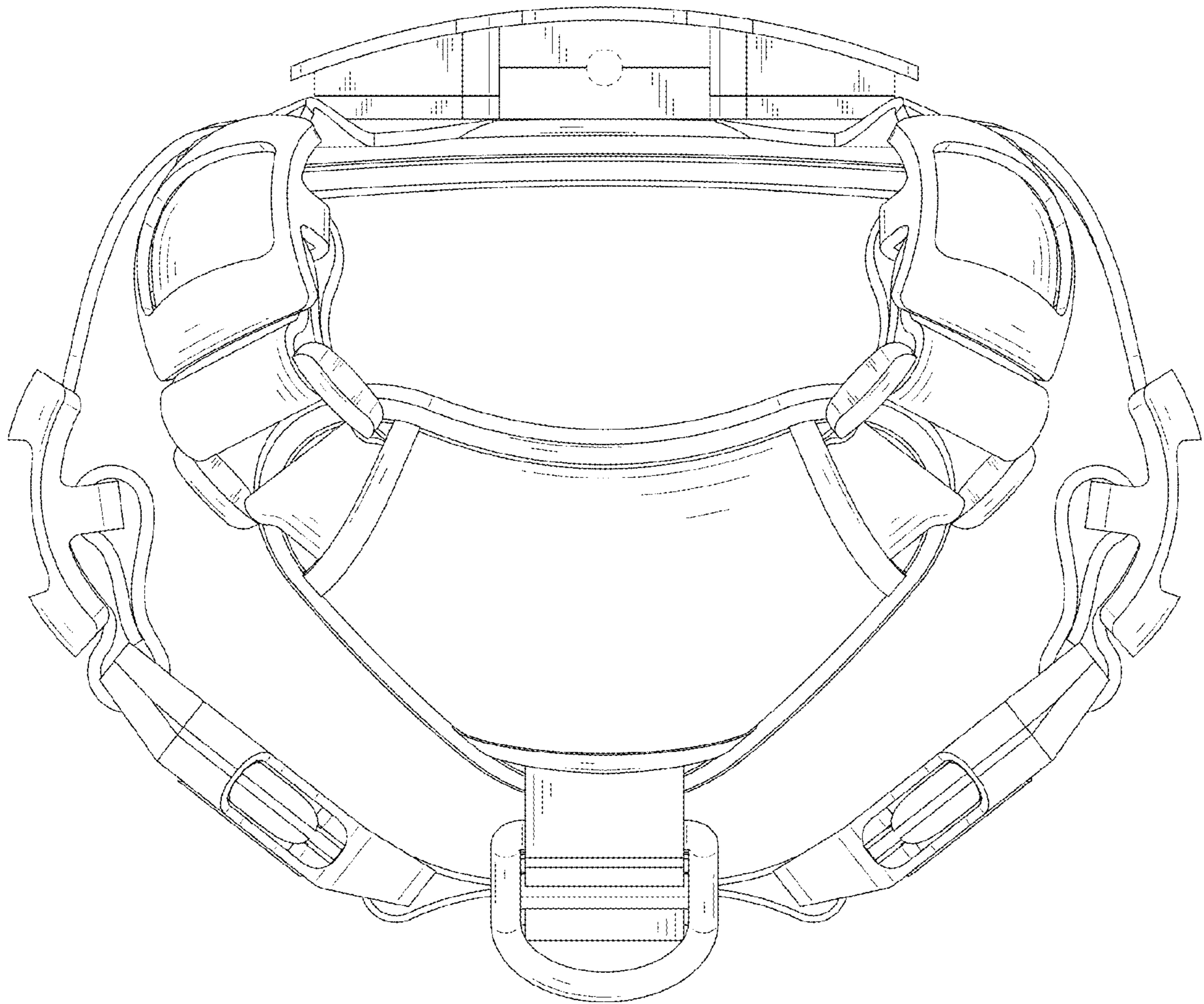


FIG. 8