



US00D963257S

(12) **United States Design Patent** (10) **Patent No.:** **US D963,257 S**
Qiao (45) **Date of Patent:** **** Sep. 6, 2022**

(54) **ADJUSTABLE PET FEEDER**

(71) Applicant: **Yuan Qiao**, Hebei (CN)

(72) Inventor: **Yuan Qiao**, Hebei (CN)

(**) Term: **15 Years**

(21) Appl. No.: **29/726,716**

(22) Filed: **Mar. 5, 2020**

(51) **LOC (13) Cl.** **30-03**

(52) **U.S. Cl.**
USPC **D30/133**

(58) **Field of Classification Search**
USPC D30/121, 129, 130, 131, 132, 133, 199;
119/51.01, 51.02, 51.03, 51.11, 51.12,
119/51.13, 51.5, 57.92, 58, 61.5, 61.52,
119/61.54, 61.55, 61.56, 61.57, 72, 73,
119/74, 75, 78

CPC A01K 5/00; A01K 5/0114; A01K 5/0121;
A01K 5/0135; A01K 7/005; A01K 7/00;
A01K 39/02; A01K 39/04; A01K 39/0213
See application file for complete search history.

(56) **References Cited**

U.S. PATENT DOCUMENTS

D335,007 S *	4/1993	McPhee	D30/133
D446,611 S *	8/2001	Gunter	119/51.01
D657,920 S *	4/2012	Rivera, Sr.	D30/133
D695,974 S *	12/2013	Young	D30/133
8,776,725 B1 *	7/2014	Grijalva	A01K 5/0114 119/61.57
D787,135 S *	5/2017	Green	D30/133
D800,396 S *	10/2017	Coviello	D30/133
D830,647 S *	10/2018	Le	D30/133
10,548,294 B1 *	2/2020	Price	F16M 11/2092
D888,347 S *	6/2020	Price	D30/133

D903,209 S *	11/2020	Jiang	D30/133
D922,000 S *	6/2021	Peng	D30/133
2014/0198490 A1 *	7/2014	Halseth	A47B 96/027 362/147
2016/0316715 A1 *	11/2016	Diamond	A01K 5/0114
2018/0132613 A1 *	5/2018	Hsieh	A47G 7/044

OTHER PUBLICATIONS

“FOREYY Adjustable Raised Dog Bowls” available May 31, 2019, [online], [site visited Jun. 15, 2021]. Retrieved from Internet, URL:https://www.amazon.com/FOREYY-Adjustable-Elevated-Non-Skid-Comfort/dp/B07QP2GLH8/ref=sr_1_4?dchild=1&keywords=adjustable+pet+feeder&qid=1623799090&s=pets-supplies&sr=1-4 (Year: 2019).*

* cited by examiner

Primary Examiner — W. A. Teddy Falloway
Assistant Examiner — Katrina N Gonzalez
(74) *Attorney, Agent, or Firm* — Mark M. Friedman

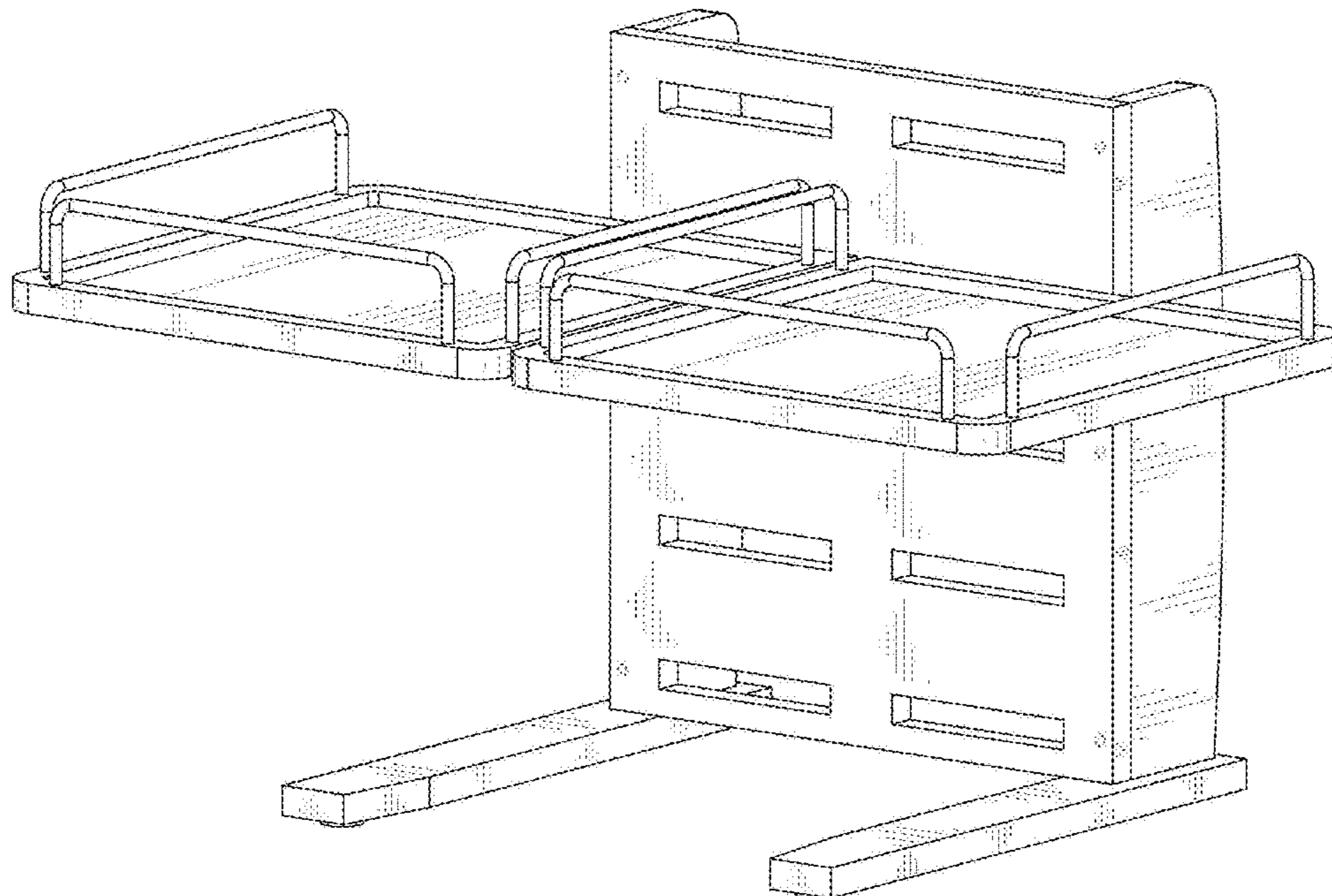
(57) **CLAIM**

The ornamental design for an adjustable pet feeder, as shown and as described.

DESCRIPTION

FIG. 1 is a front right perspective view of an adjustable pet feeder according to our new design.
FIG. 2 is a right side view thereof;
FIG. 3 is a left side view thereof;
FIG. 4 is a front view thereof;
FIG. 5 is a top view thereof;
FIG. 6 is a bottom view thereof; and,
FIG. 7 is a rear view thereof.
The broken lines in the drawings depict portions of the adjustable pet feeder that form no part of the claimed design.

1 Claim, 7 Drawing Sheets



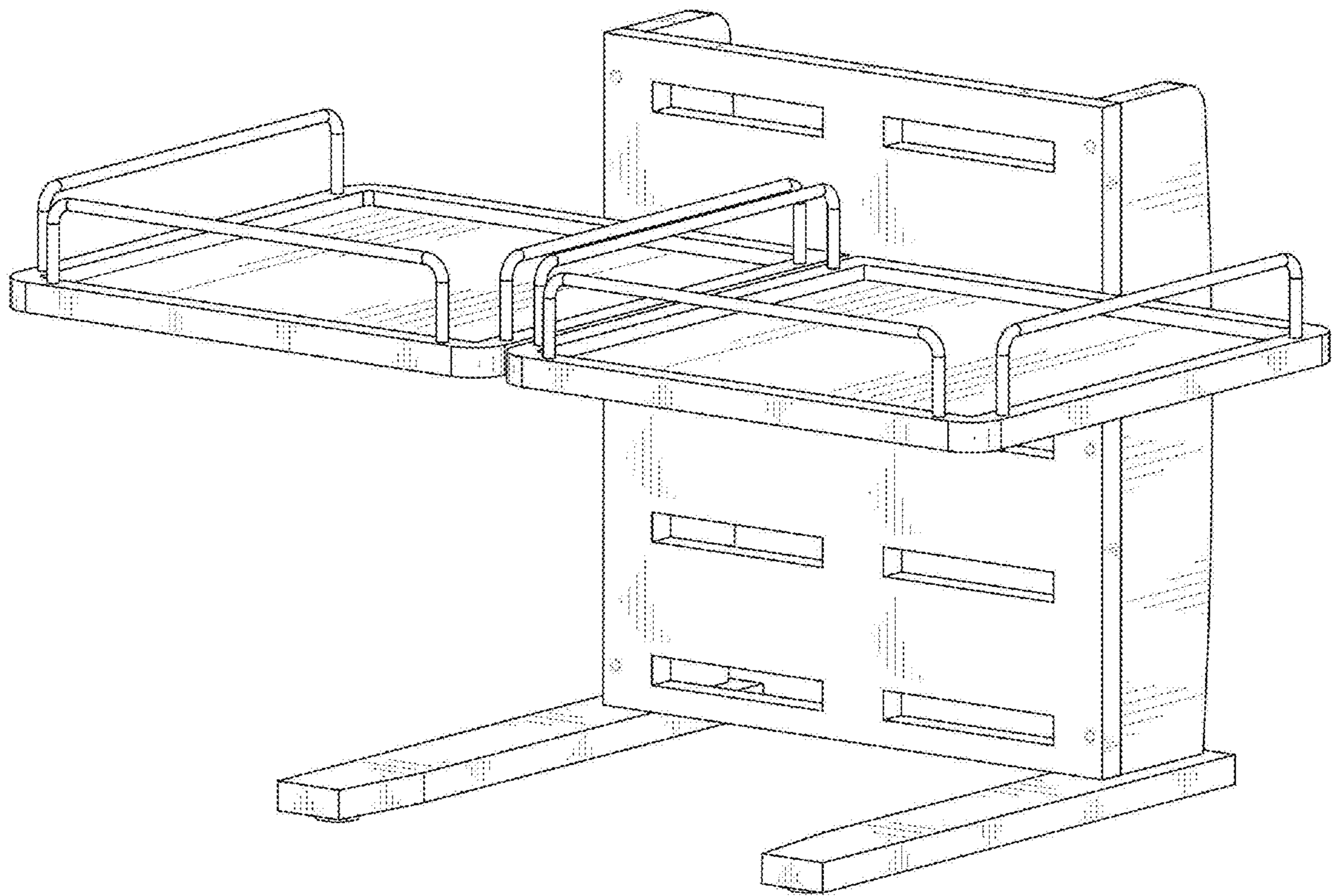


FIG. 1

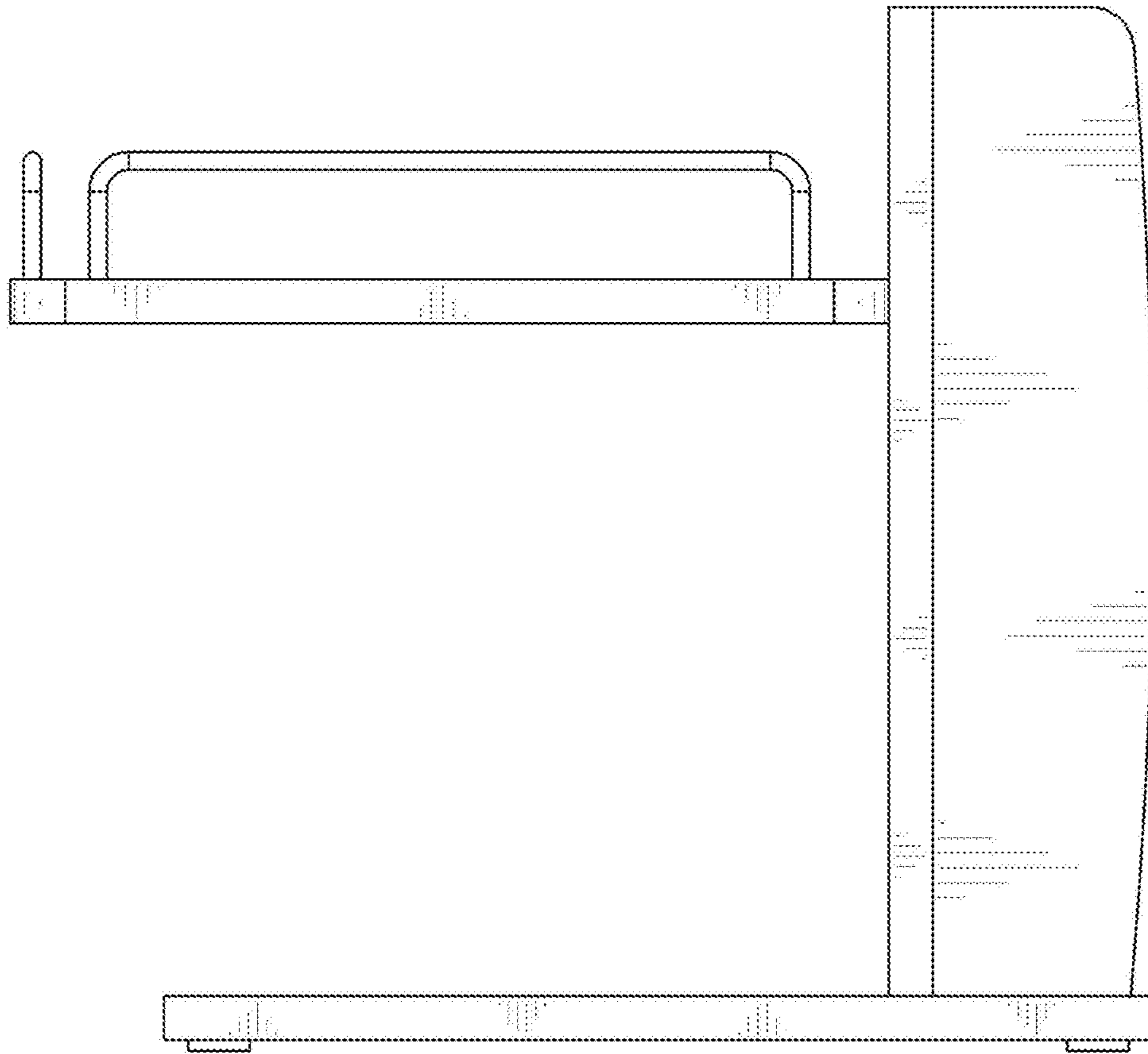


FIG. 2

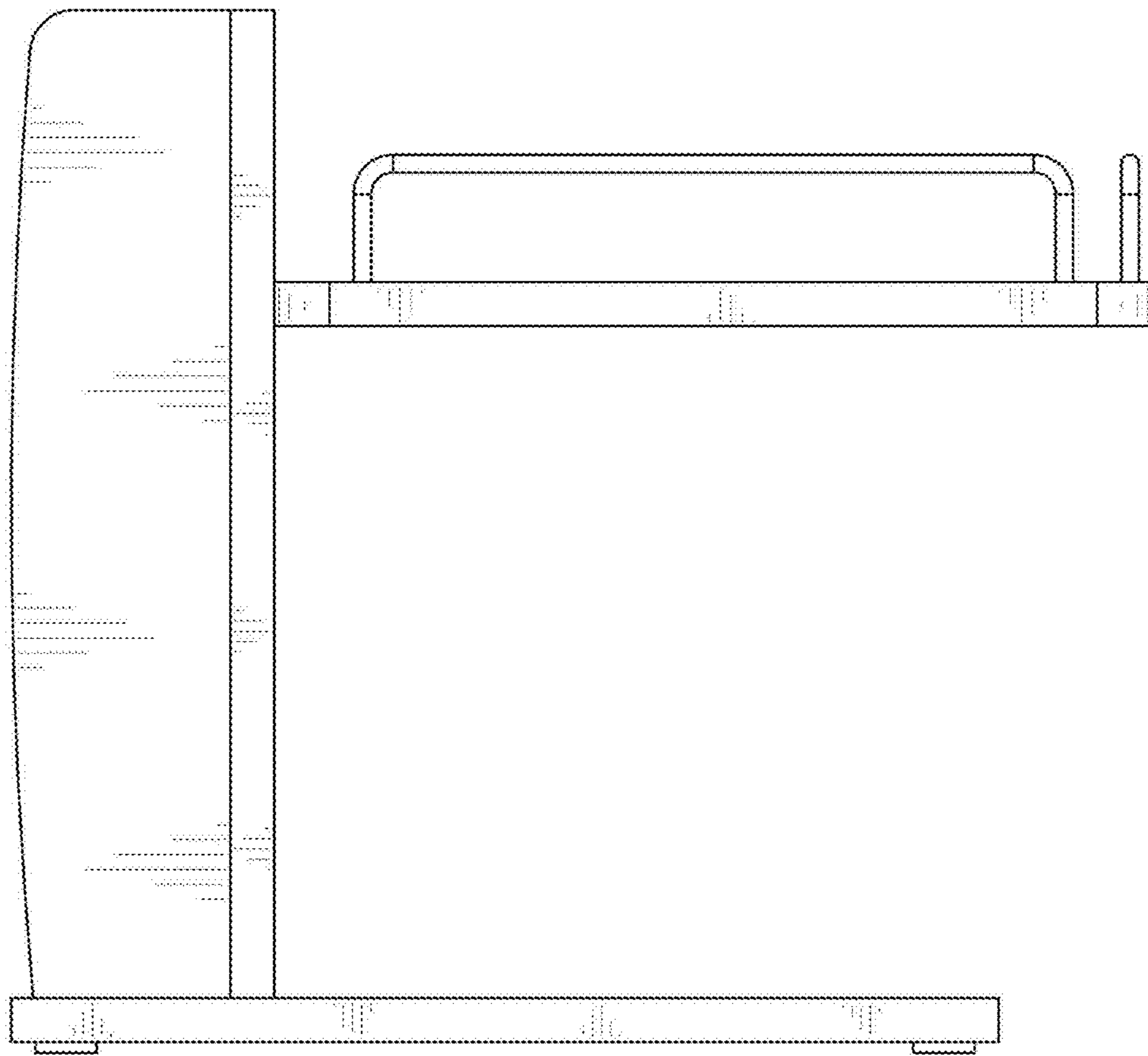


FIG. 3

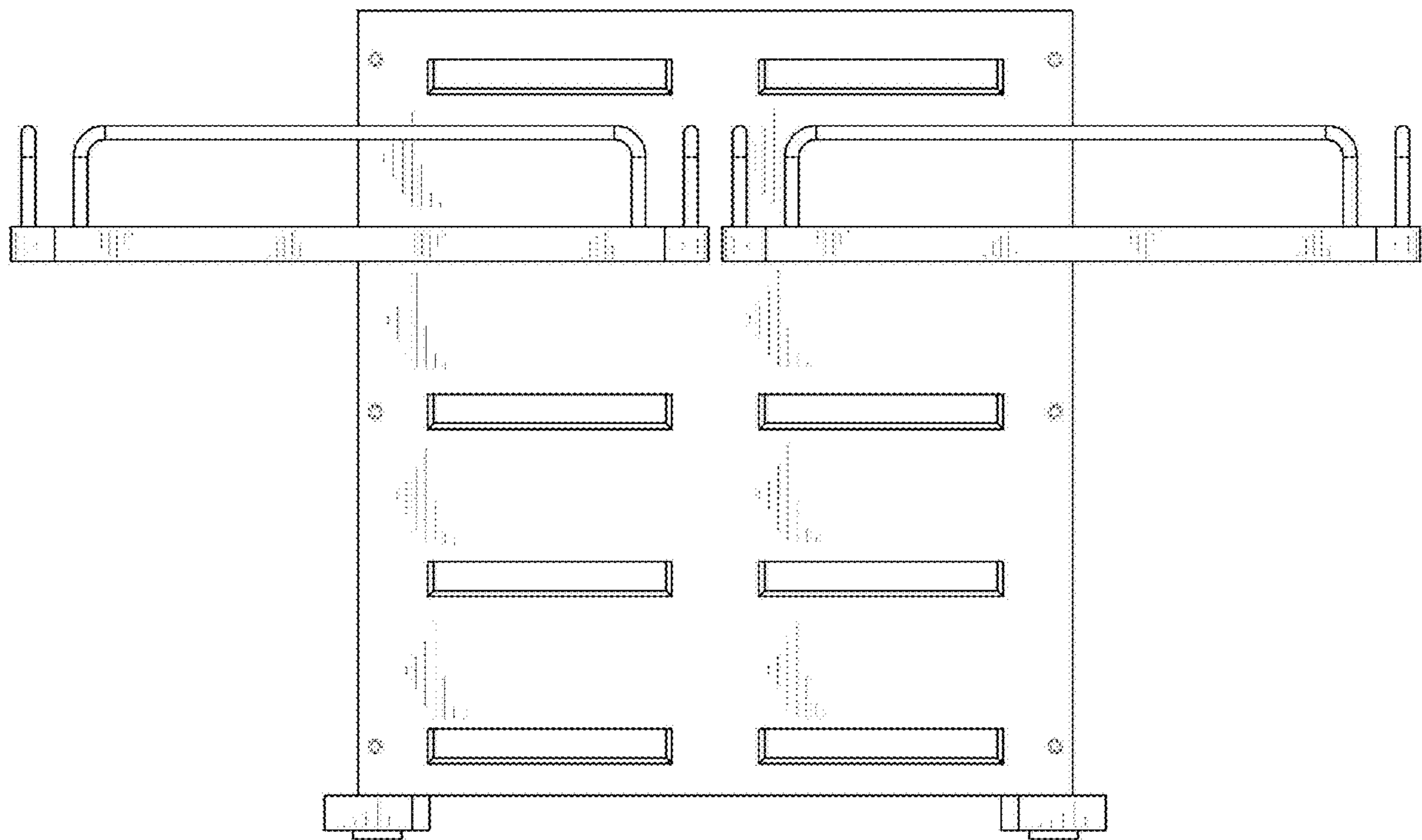


FIG. 4

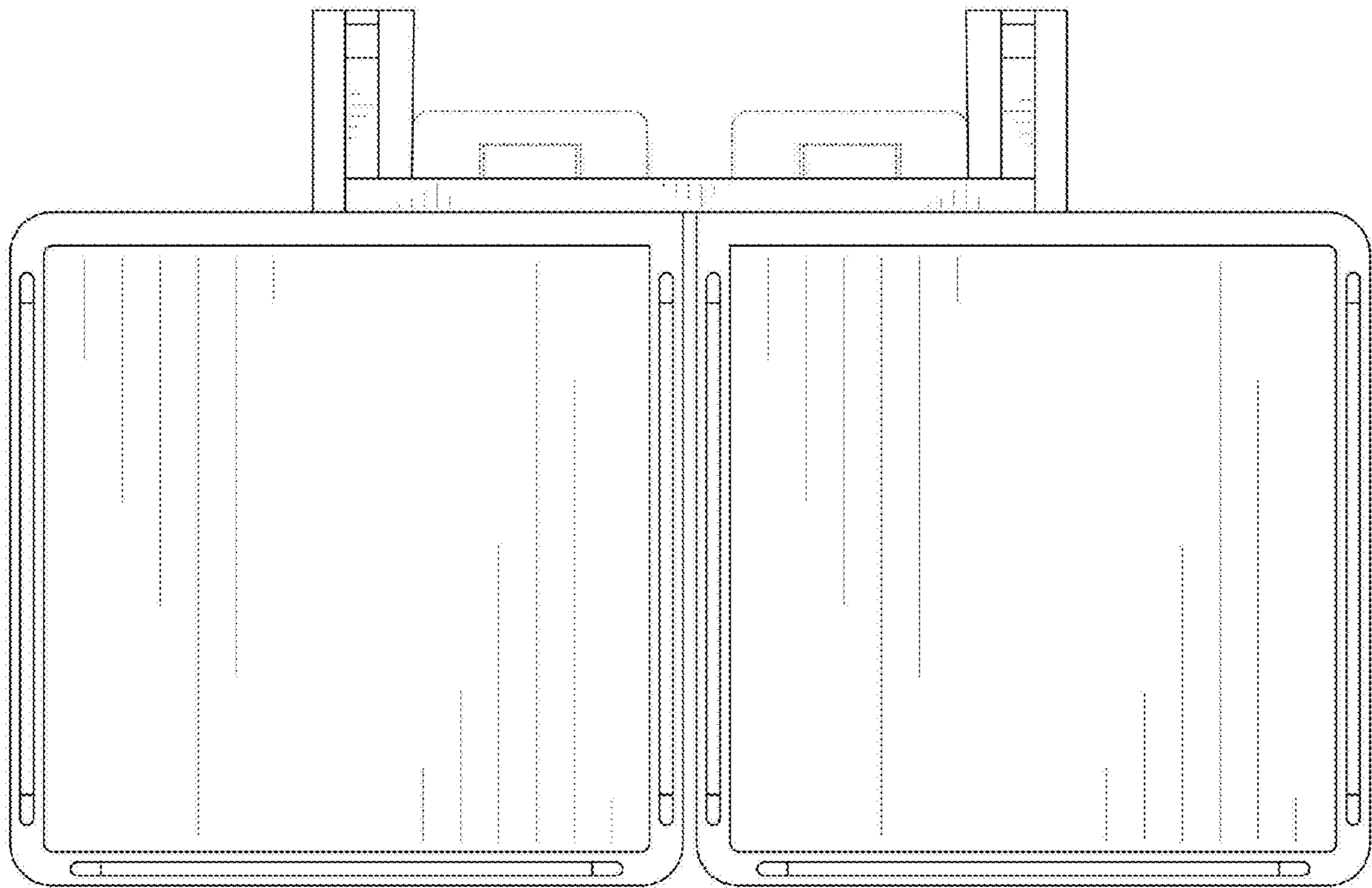


FIG. 5

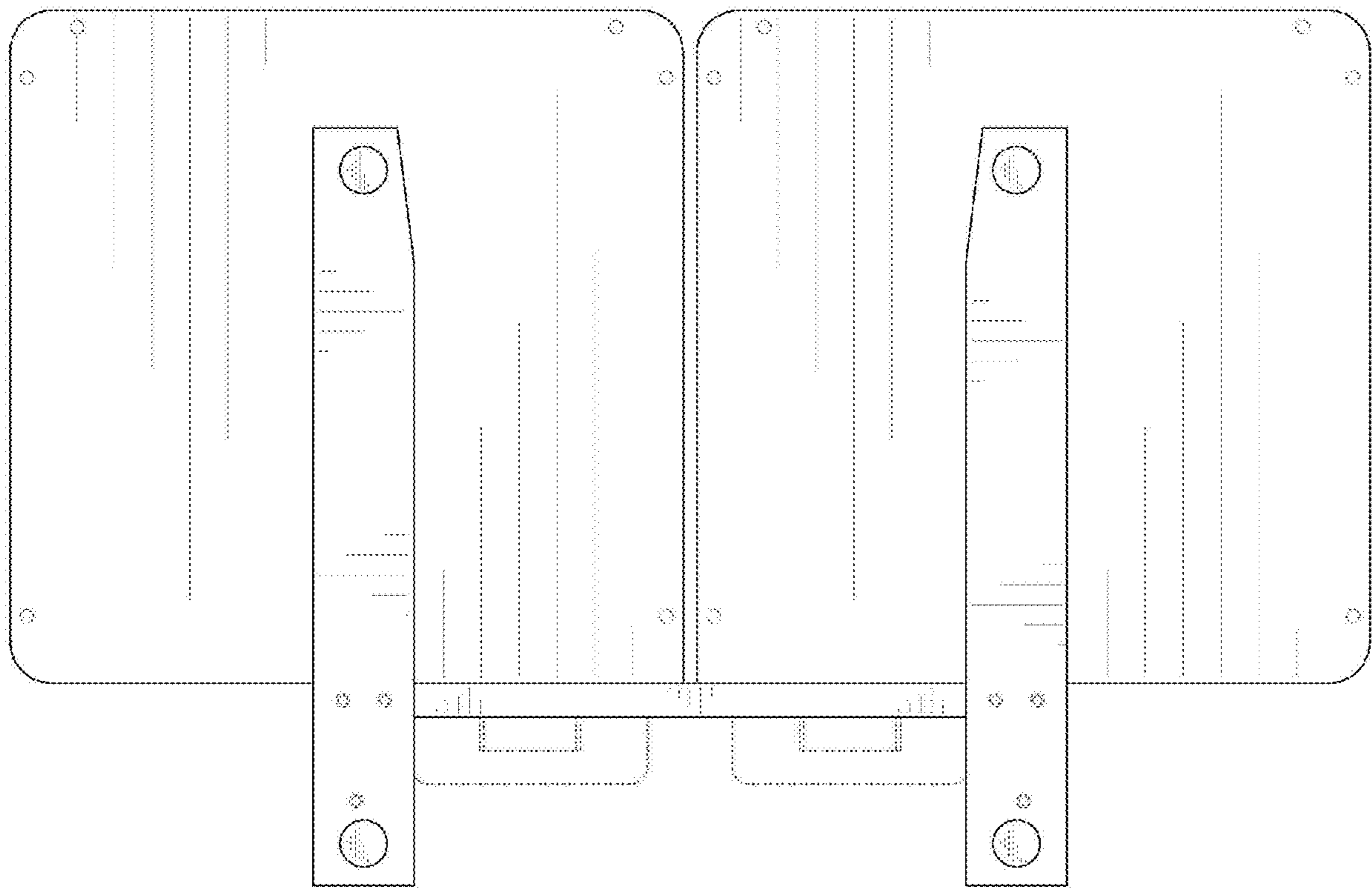


FIG. 6

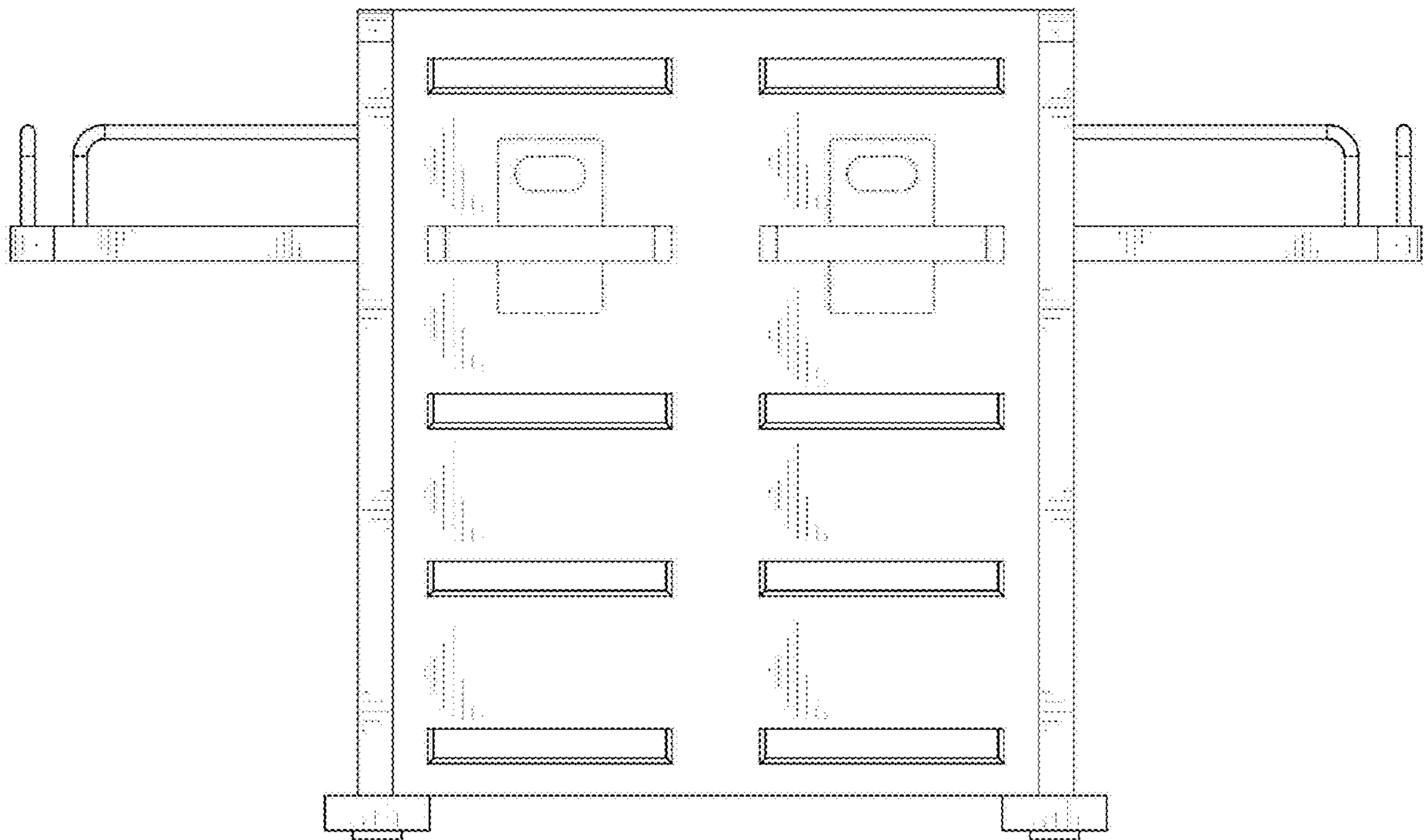


FIG. 7