



US00D963256S

(12) **United States Design Patent** (10) **Patent No.:** **US D963,256 S**  
**Lin** (45) **Date of Patent:** **\*\* Sep. 6, 2022**

(54) **AUTOMATIC PET FEEDER**

(71) Applicant: **Fan Lin**, Guangdong (CN)

(72) Inventor: **Fan Lin**, Guangdong (CN)

(\*\*) Term: **15 Years**

(21) Appl. No.: **29/787,183**

(22) Filed: **Jun. 4, 2021**

(51) **LOC (13) Cl.** ..... **30-07**

(52) **U.S. Cl.**  
USPC ..... **D30/122**

(58) **Field of Classification Search**

USPC ..... D30/121, 122, 129-133, 120; 119/61.5, 119/51.01, 61.56, 51.03, 59, 62, 63, 51.5, 119/57.8, 74, 61.54, 61.55, 53, 53.5, 75, 119/56.2, 51.02, 51.11, 51.12, 57.1, 52.1, 119/515; 312/204; 248/151, 188; 108/156, 153.1-157; 220/23.87, 630, 220/737, 743, 9.4, 495.01, 574, 212, 255, 220/23.83; 206/515; D7/586, 543, D7/550.1, 587, 505, 584, 545, 500, D7/553.1-553.8, 546, 555, 556, 504, 565, D7/562, 602, 605, 312, 313, 320, 307, D7/306, 309, 354, 311, 399, 397, 323, D7/332, 331, 347, 346, 322, 318, 317, D7/316, 619.1; D9/429; 43/109; D22/122; 99/430, DIG. 15, 280, 285, 99/312; 222/209, 131, 363, 349, 517, 222/153.13, 401, 1, 146.5, 23, 54, 64, 51, 222/156, 399, 400.8; 219/438, 439, 441, 219/385, 386, 402, 407; 210/94, 184, 210/474, 477  
CPC ..... A01K 5/02; A01K 5/0225; A01K 5/0114; A01K 5/025; A01K 5/0266; A01K 5/0275; A01K 5/0283; A01K 5/0291; A01K 5/0258; A01K 5/0142; A01K 5/0233; A01K 29/00; A01K 7/00; G01F 11/24; G01F 23/02; B67D 1/0425; B67D 1/04; B67D 1/00; B67D 1/02; B67D

1/0871; B67D 1/0802; A47J 41/0033; A47J 41/005; A47J 41/0088; A47J 41/0094; A47J 31/04; A47J 31/053; B05B 11/00; B05B 11/0002; B05B 11/0005; B05B 11/001; C02F 1/003; C02F 1/283; C02F 2307/02

See application file for complete search history.

(56) **References Cited**

U.S. PATENT DOCUMENTS

D207,166 S \* 3/1967 Noble ..... D30/132  
4,279,221 A \* 7/1981 Arvizu ..... A01K 5/0291  
119/51.11  
4,735,171 A \* 4/1988 Essex ..... A01K 5/0291  
119/56.2  
D350,841 S \* 9/1994 VanSkiver ..... D30/121  
D364,942 S \* 12/1995 VanSkiver ..... D30/132

(Continued)

*Primary Examiner* — Susan Moon Lee

(74) *Attorney, Agent, or Firm* — ScienBiziP, P.C.

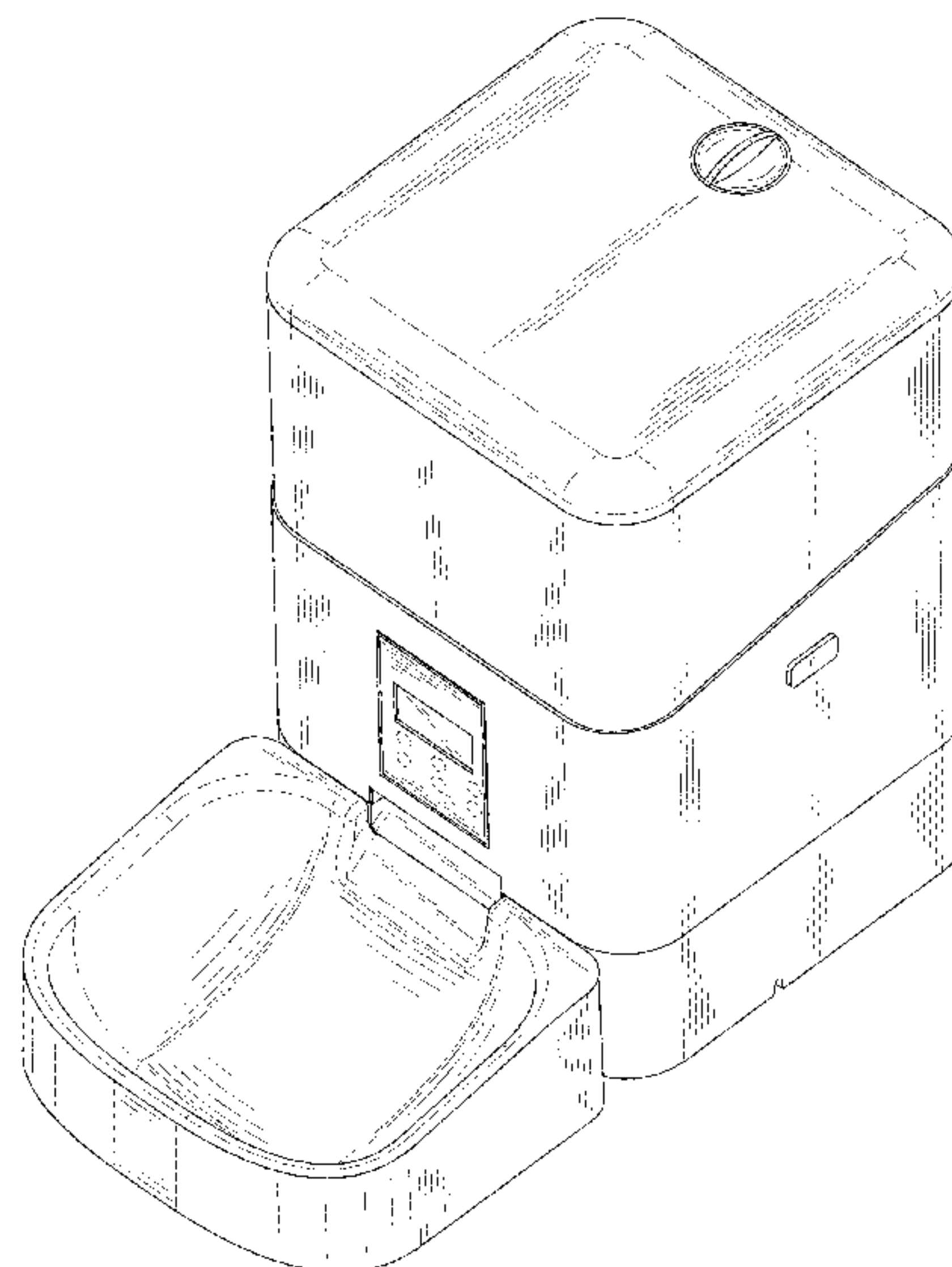
(57) **CLAIM**

The ornamental design for an automatic pet feeder, as shown and described.

**DESCRIPTION**

FIG. 1 is a front, right, and top perspective view of an automatic pet feeder, showing our design.  
FIG. 2 is a rear, left, and bottom perspective view thereof.  
FIG. 3 is a front elevation view thereof.  
FIG. 4 is a rear elevation view thereof.  
FIG. 5 is a left side elevation view thereof.  
FIG. 6 is a right side elevation view thereof.  
FIG. 7 is a top plan view thereof; and,  
FIG. 8 is a bottom plan view thereof.  
The broken lines shown in the drawings are included for the purpose of illustrating portions of the automatic pet feeder that form no part of the claimed design.

**1 Claim, 8 Drawing Sheets**



(56)

References Cited

U.S. PATENT DOCUMENTS

5,809,934 A \* 9/1998 Gavet ..... A01K 7/02  
119/74  
6,651,592 B2 \* 11/2003 Maddox ..... A01K 15/021  
119/908  
7,146,930 B1 \* 12/2006 Ness ..... A01K 7/02  
141/366  
8,161,911 B2 \* 4/2012 Jalbert ..... A01K 7/02  
119/59  
8,166,922 B2 \* 5/2012 Jalbert ..... A01K 11/006  
119/59  
8,701,595 B2 \* 4/2014 Jin ..... A01K 5/0291  
119/51.01  
9,345,231 B2 \* 5/2016 Jalbert ..... A01K 5/0142  
D806,958 S \* 1/2018 Maloney ..... D30/122  
D836,850 S \* 12/2018 Li ..... D30/122  
D844,258 S \* 3/2019 Xu ..... D30/122  
D846,815 S \* 4/2019 Darkwah ..... D30/132  
D885,685 S \* 5/2020 Chen ..... D30/122  
D885,686 S \* 5/2020 Chen ..... D30/122  
D891,004 S \* 7/2020 Park ..... D30/122  
D893,109 S \* 8/2020 Zeng ..... D30/122  
D897,049 S \* 9/2020 Zeng ..... D30/121  
D907,305 S \* 1/2021 Wang ..... D30/122  
10,912,279 B2 \* 2/2021 Chen ..... A01K 5/0275  
D912,909 S \* 3/2021 Wu ..... D30/122  
D920,592 S \* 5/2021 Tang ..... D30/122  
11,006,614 B2 \* 5/2021 Chen ..... A01K 29/005  
D921,117 S \* 6/2021 Cai ..... D21/336

D939,784 S \* 12/2021 Ren ..... D30/122  
D940,404 S \* 1/2022 Dong ..... D30/122  
D945,712 S \* 3/2022 Zeng ..... D30/122  
2011/0146580 A1 \* 6/2011 Jalbert ..... A01K 1/0107  
49/31  
2013/0092090 A1 \* 4/2013 McCallum ..... A01K 1/0356  
119/74  
2013/0213308 A1 \* 8/2013 Koskey, Jr. .... A01K 7/027  
119/74  
2013/0298839 A1 \* 11/2013 Richards ..... C02F 1/686  
119/75  
2013/0333622 A1 \* 12/2013 Jin ..... A01K 5/0291  
119/51.01  
2014/0033990 A1 \* 2/2014 Brown ..... A01K 15/021  
119/719  
2015/0068463 A1 \* 3/2015 Worry ..... A01K 5/0291  
119/57.1  
2015/0143750 A1 \* 5/2015 Jalbert ..... A01K 5/025  
49/25  
2015/0145644 A1 \* 5/2015 Jalbert ..... A01K 5/025  
340/5.61  
2015/0164044 A1 \* 6/2015 Powers ..... A01K 5/0225  
119/61.5  
2016/0007564 A1 \* 1/2016 Ma ..... A01K 5/0291  
119/57.1  
2019/0029221 A1 \* 1/2019 Anderton ..... A01K 5/0225  
2019/0059322 A1 \* 2/2019 Xu ..... A01K 7/02  
2020/0037577 A1 \* 2/2020 Dzamba ..... A01K 5/025  
2020/0100460 A1 \* 4/2020 Chen ..... A01K 5/0225

\* cited by examiner

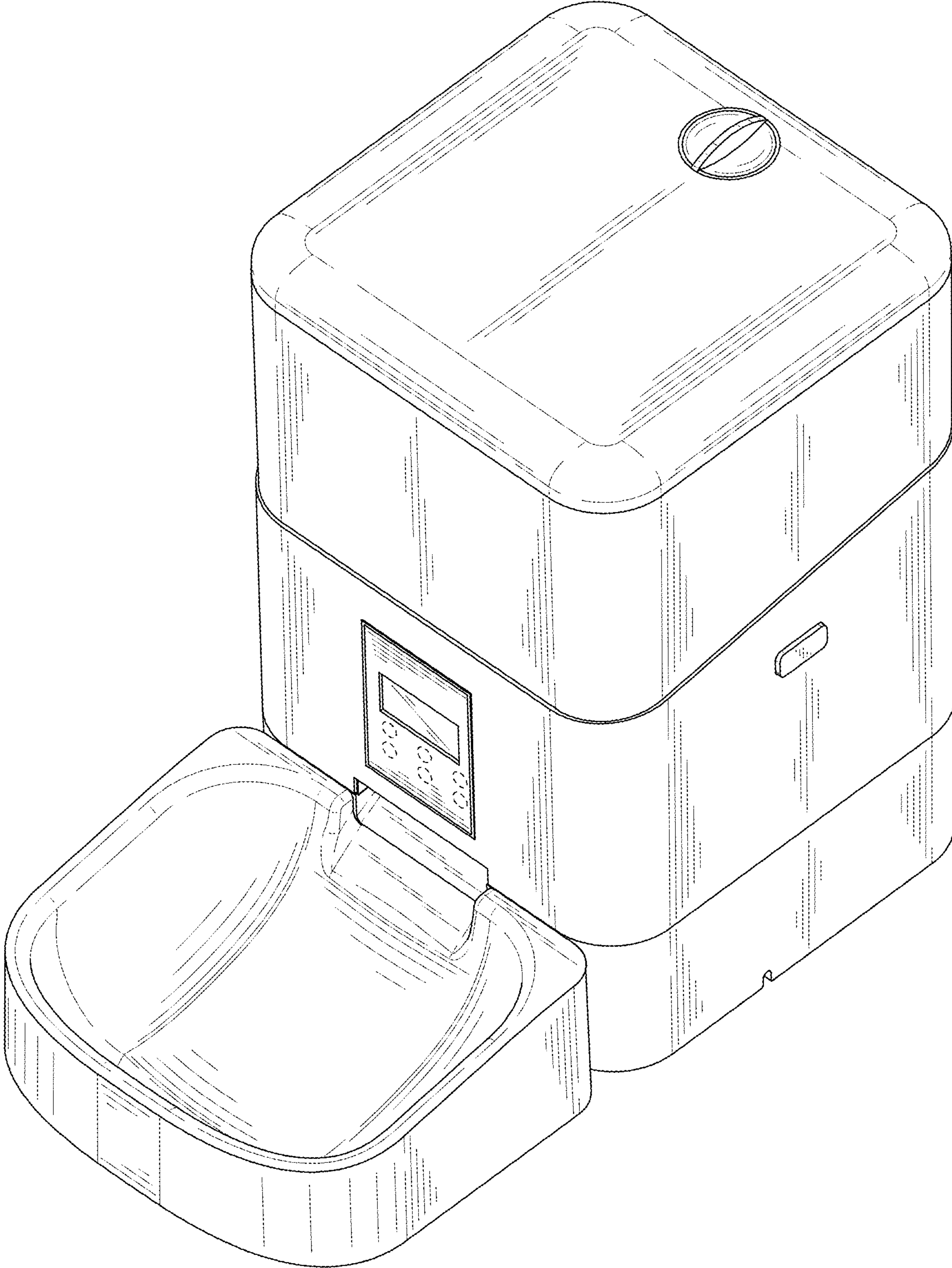


FIG. 1



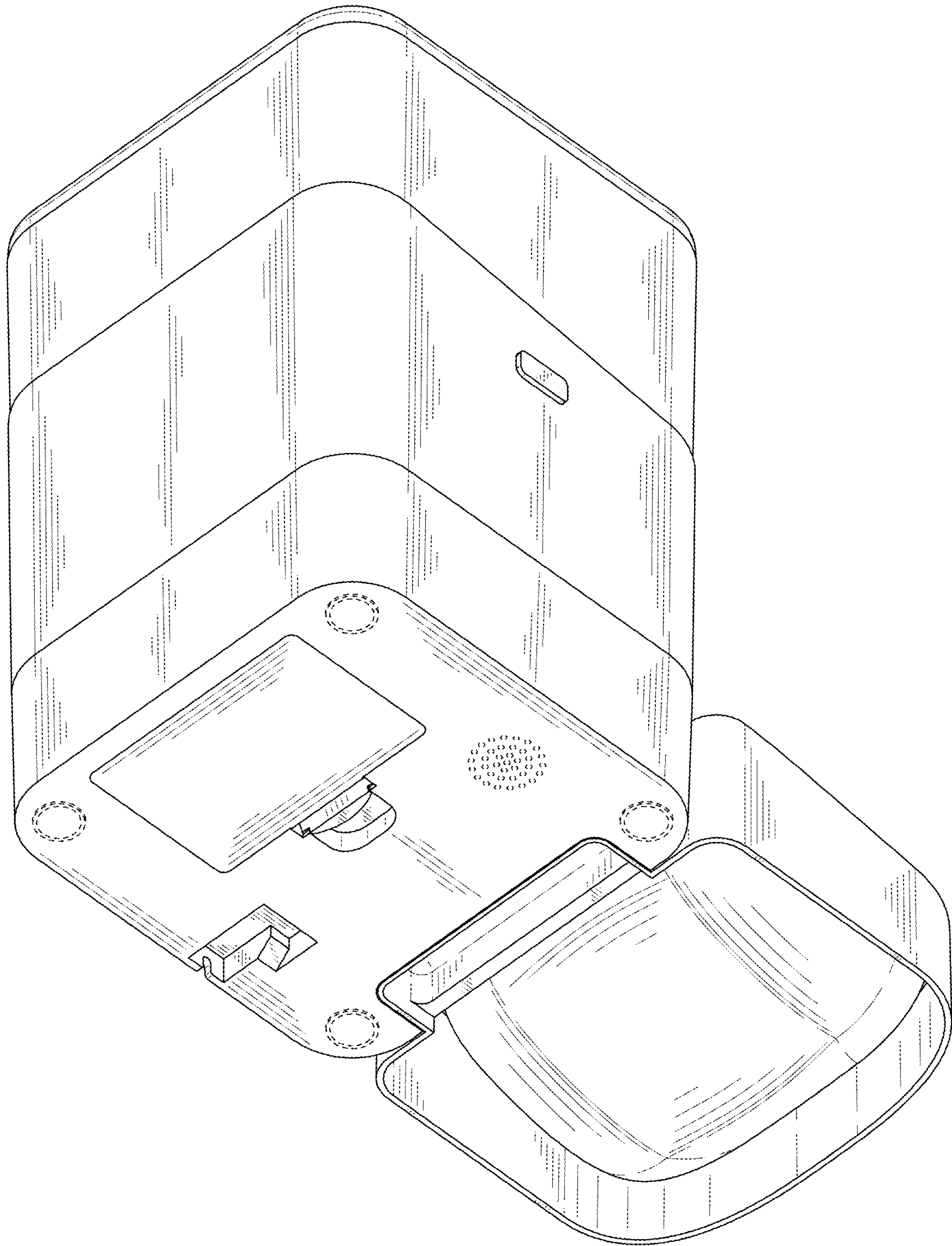


FIG. 2

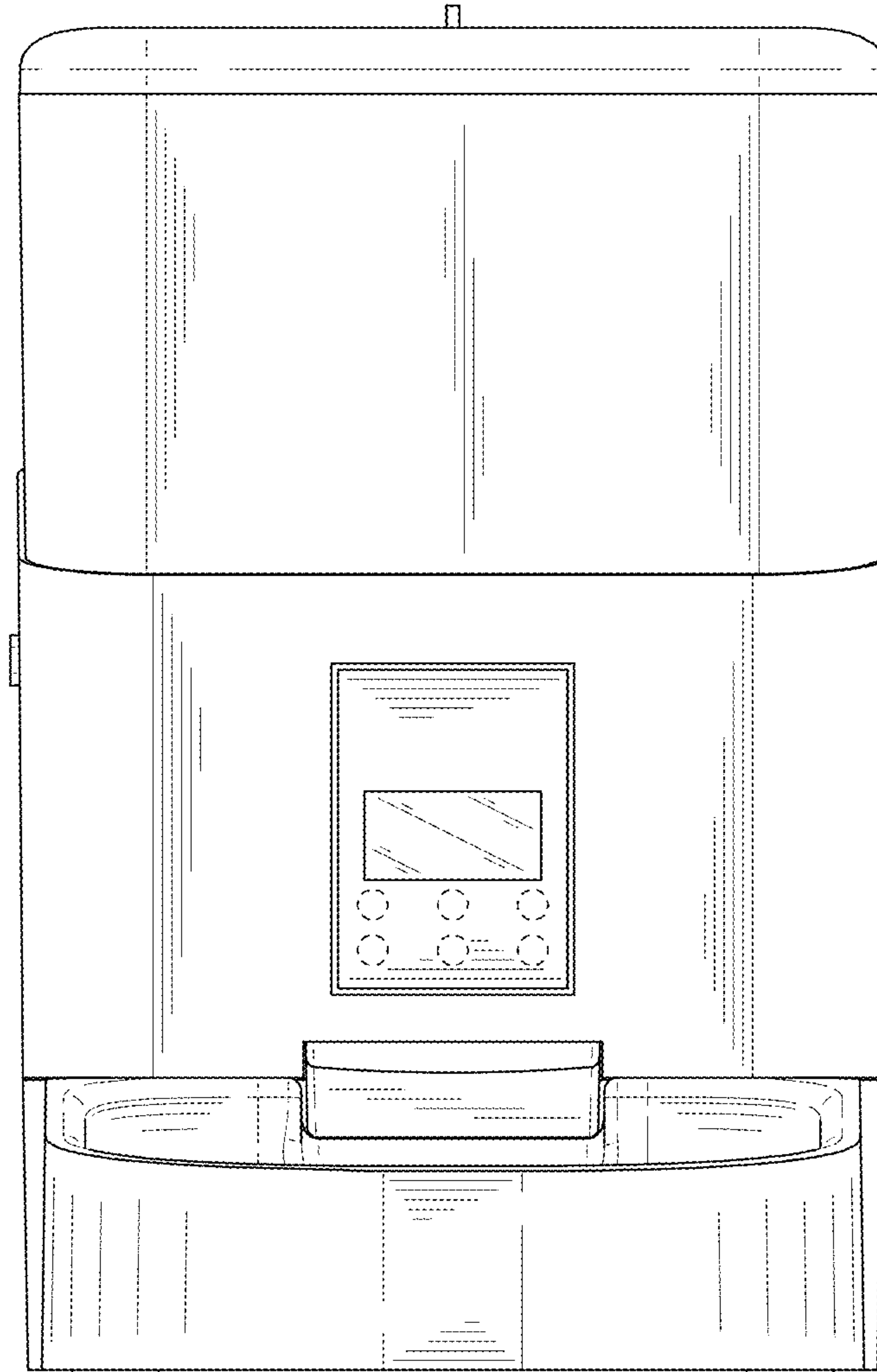


FIG. 3

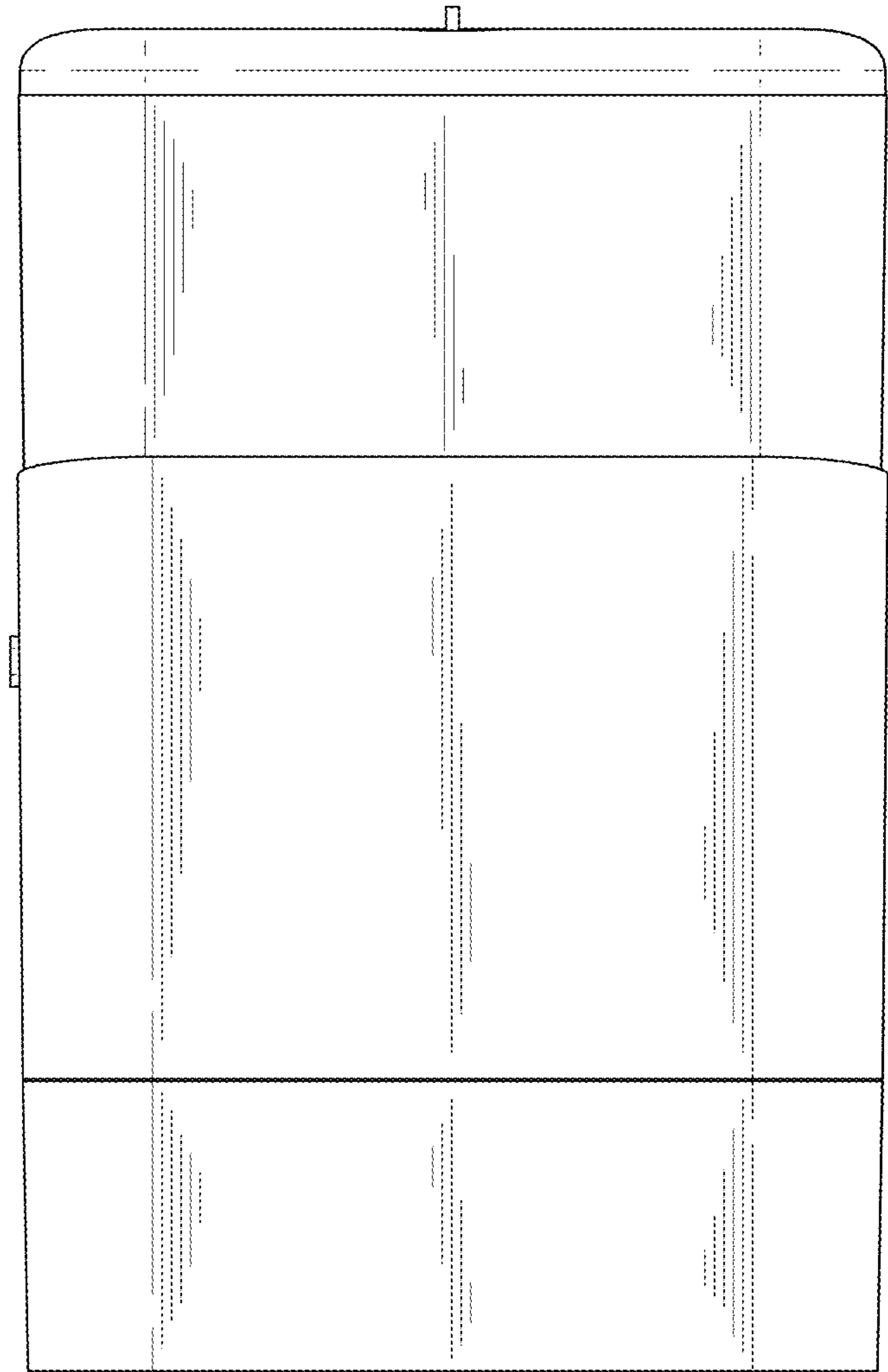


FIG. 4

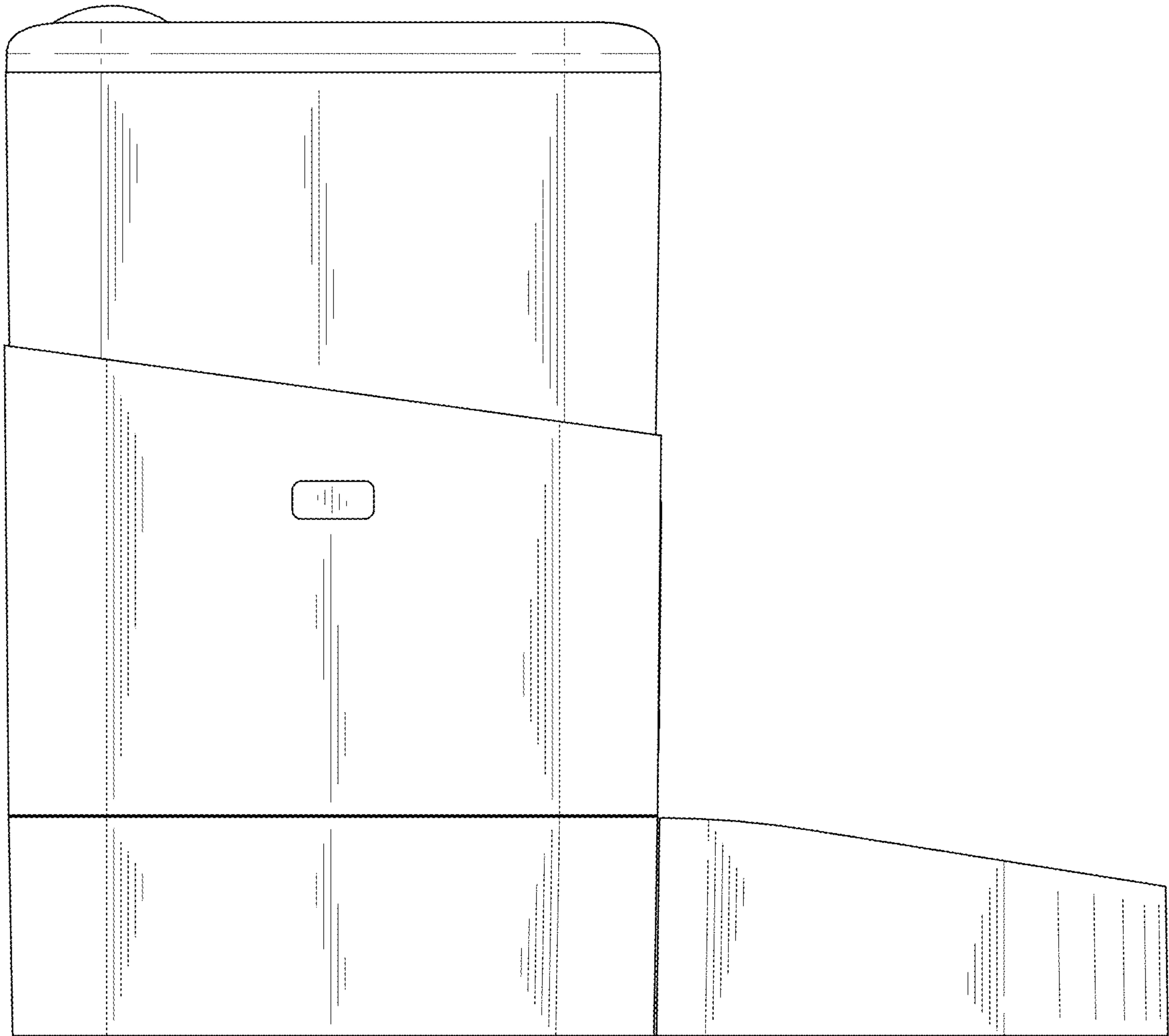


FIG. 5

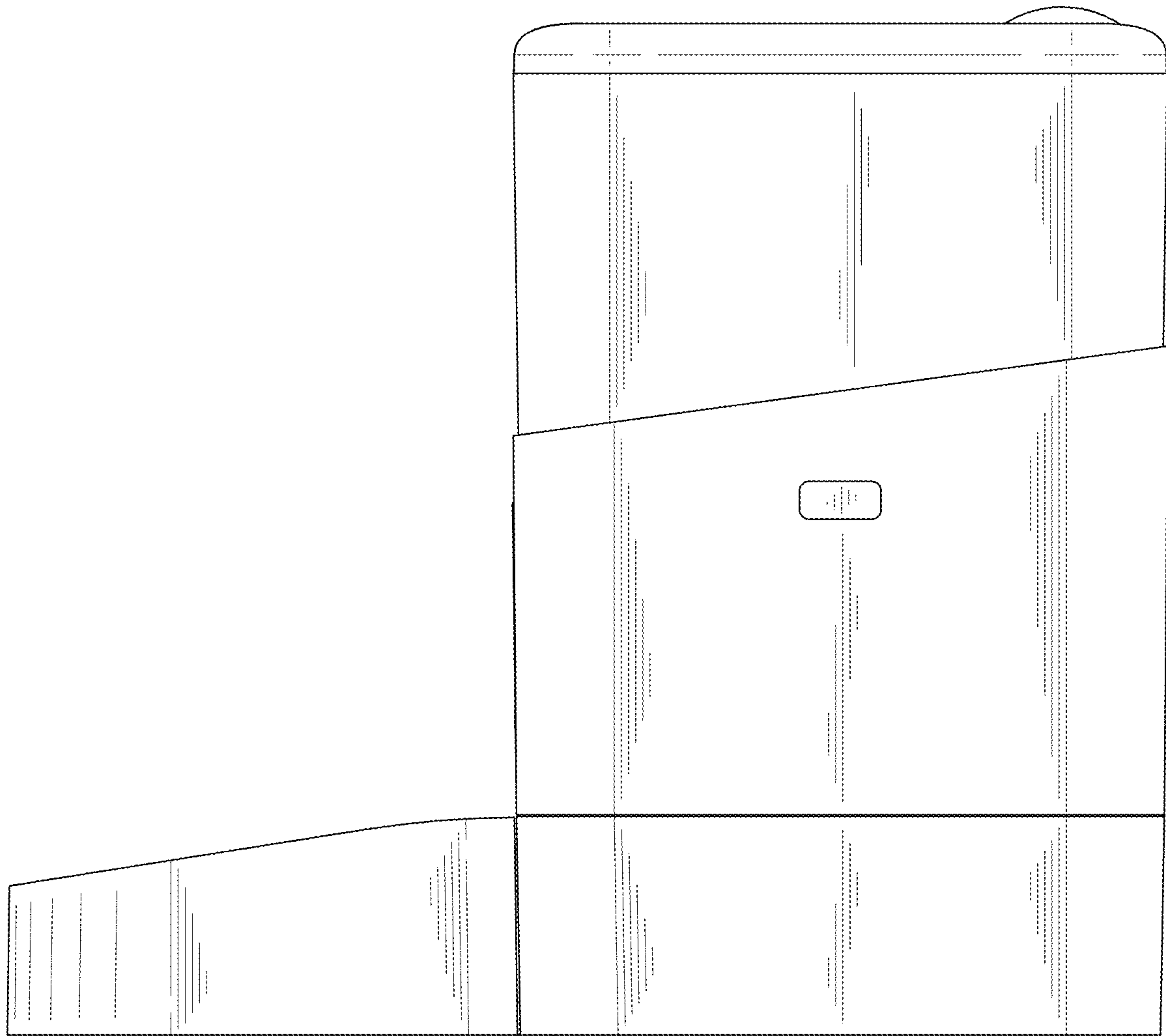


FIG. 6



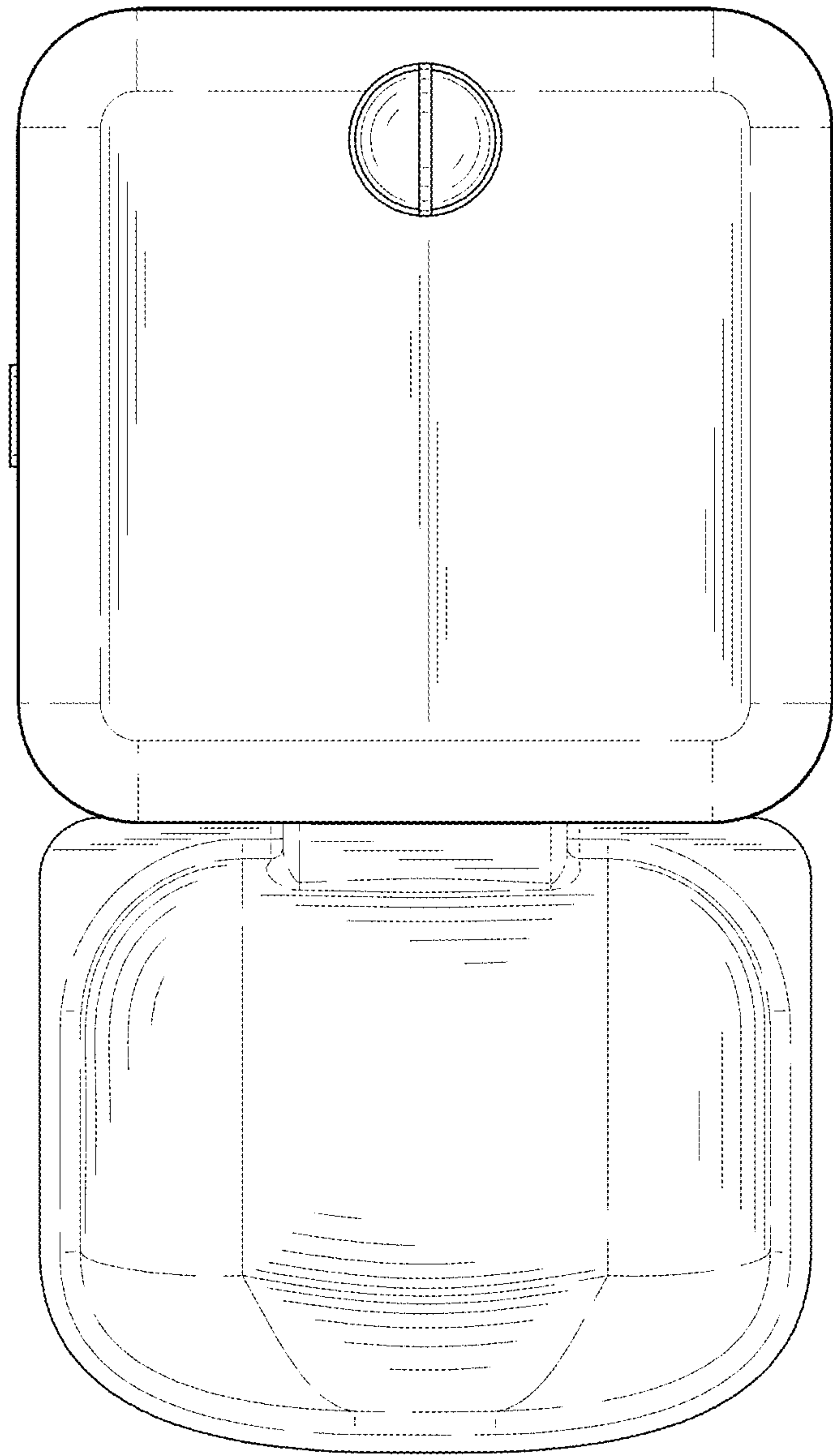


FIG. 7

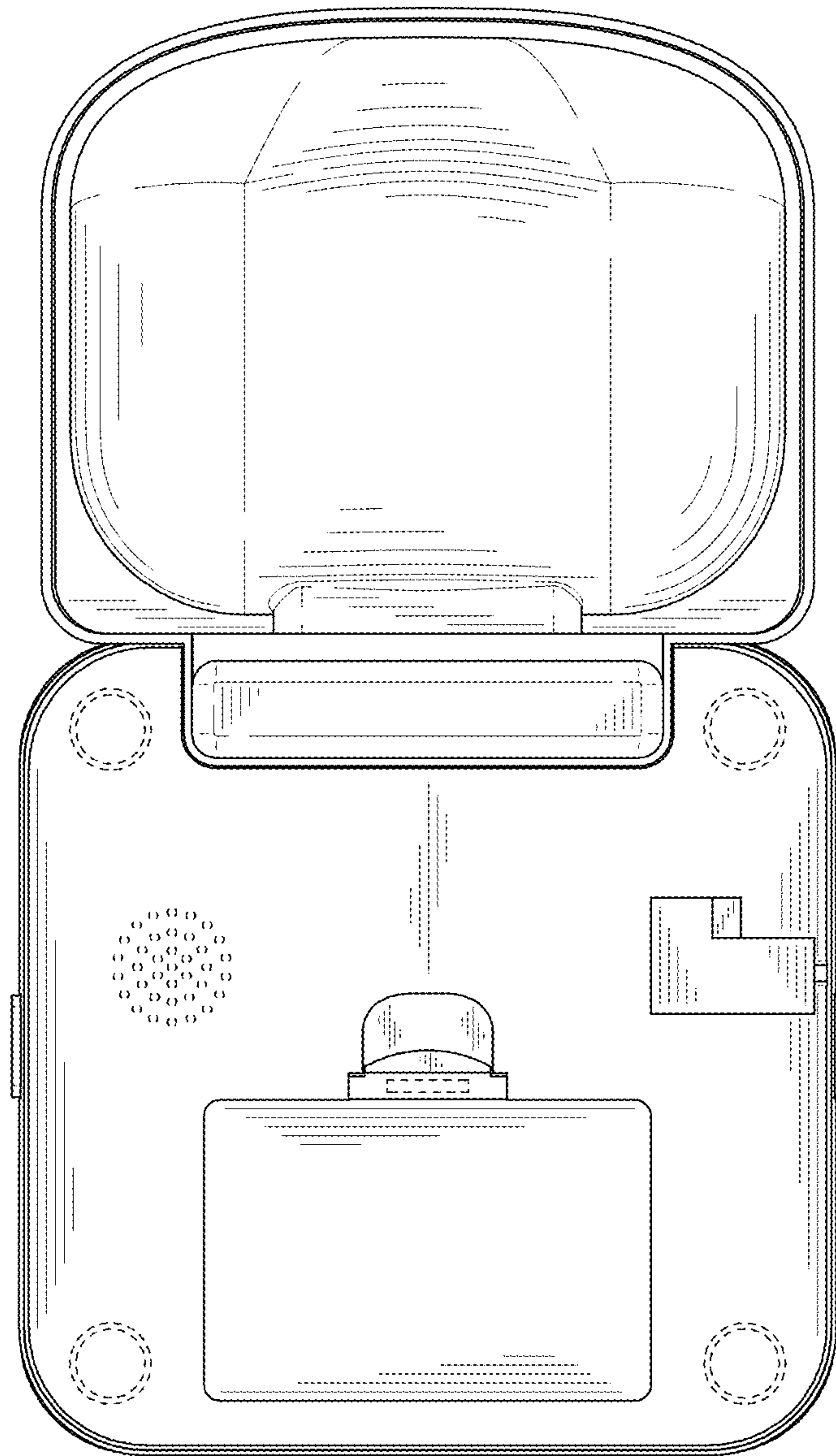


FIG. 8