



US00D963255S

(12) **United States Design Patent**
Chen

(10) **Patent No.:** **US D963,255 S**
(45) **Date of Patent:** **** Sep. 6, 2022**

(54) **PET FEEDER**

(71) Applicant: **Zhujun Chen**, Guangdong (CN)

(72) Inventor: **Zhujun Chen**, Guangdong (CN)

(73) Assignee: **Shenzhen Gaodi Digital Co., Ltd.**,
Guangong (CN)

(**) Term: **15 Years**

(21) Appl. No.: **29/757,316**

(22) Filed: **Nov. 5, 2020**

(51) **LOC (13) Cl.** **30-07**

(52) **U.S. Cl.**
USPC **D30/122**

(58) **Field of Classification Search**

USPC D30/121, 122, 129-133, 120; 119/61.5,
119/51.01, 61.56, 51.03, 59, 62, 63, 51.5,
119/57.8, 74, 61.54, 61.55, 53, 53.5, 75,
119/56.2, 51.02, 51.11, 51.12, 57.1, 52.1,
119/515; 312/204; 248/151, 188;
108/156, 153.1-157; 220/23.87, 630,
220/737, 743, 9.4, 495.01, 574, 212, 255,
220/23.83; 206/515; D7/586, 543,
D7/550.1, 587, 505, 584, 545, 500,
D7/553.1-553.8, 546, 555, 556, 504, 565,
D7/562, 602, 605, 312, 313, 320, 307,
D7/306, 309, 354, 311, 399, 397, 323,
D7/332, 331, 347, 346, 322, 318, 317,
D7/316, 619.1; D9/429; 43/109;
D22/122; 99/430, DIG. 15, 280, 285,
99/312; 222/209, 131, 363, 349, 517,
222/153.13, 401, 1, 146.5, 23, 54, 64, 51,
222/156, 399, 400.8; 219/438, 439, 441,
219/385, 386, 402, 407; 210/94, 184,
210/474, 477
CPC A01K 5/02; A01K 5/0225; A01K 5/0114;
A01K 5/025; A01K 5/0266; A01K
5/0275; A01K 5/0283; A01K 5/0291;
A01K 5/0258; A01K 5/0142; A01K

5/0233; A01K 29/00; A01K 7/00; G01F
11/24; G01F 23/02; B67D 1/0425; B67D
1/04; B67D 1/00; B67D 1/02; B67D
1/0871; B67D 1/0802; A47J 41/0033;
A47J 41/005; A47J 41/0088; A47J
41/0094; A47J 31/04; A47J 31/053; B05B
11/00; B05B 11/0002; B05B 11/0005;
B05B 11/001; C02F 1/003; C02F 1/283;
C02F 2307/02

See application file for complete search history.

(56) **References Cited**

U.S. PATENT DOCUMENTS

D348,336 S * 6/1994 Woo D30/122
D351,261 S * 10/1994 Woo D30/122
5,404,838 A * 4/1995 Khan A01K 5/0114
119/51.5
D432,279 S * 10/2000 Kim D30/121
7,040,249 B1 * 5/2006 Mushen A01K 5/0225
119/51.5
7,228,816 B2 * 6/2007 Turner A01K 5/02
119/51.02

(Continued)

Primary Examiner — Susan Moon Lee

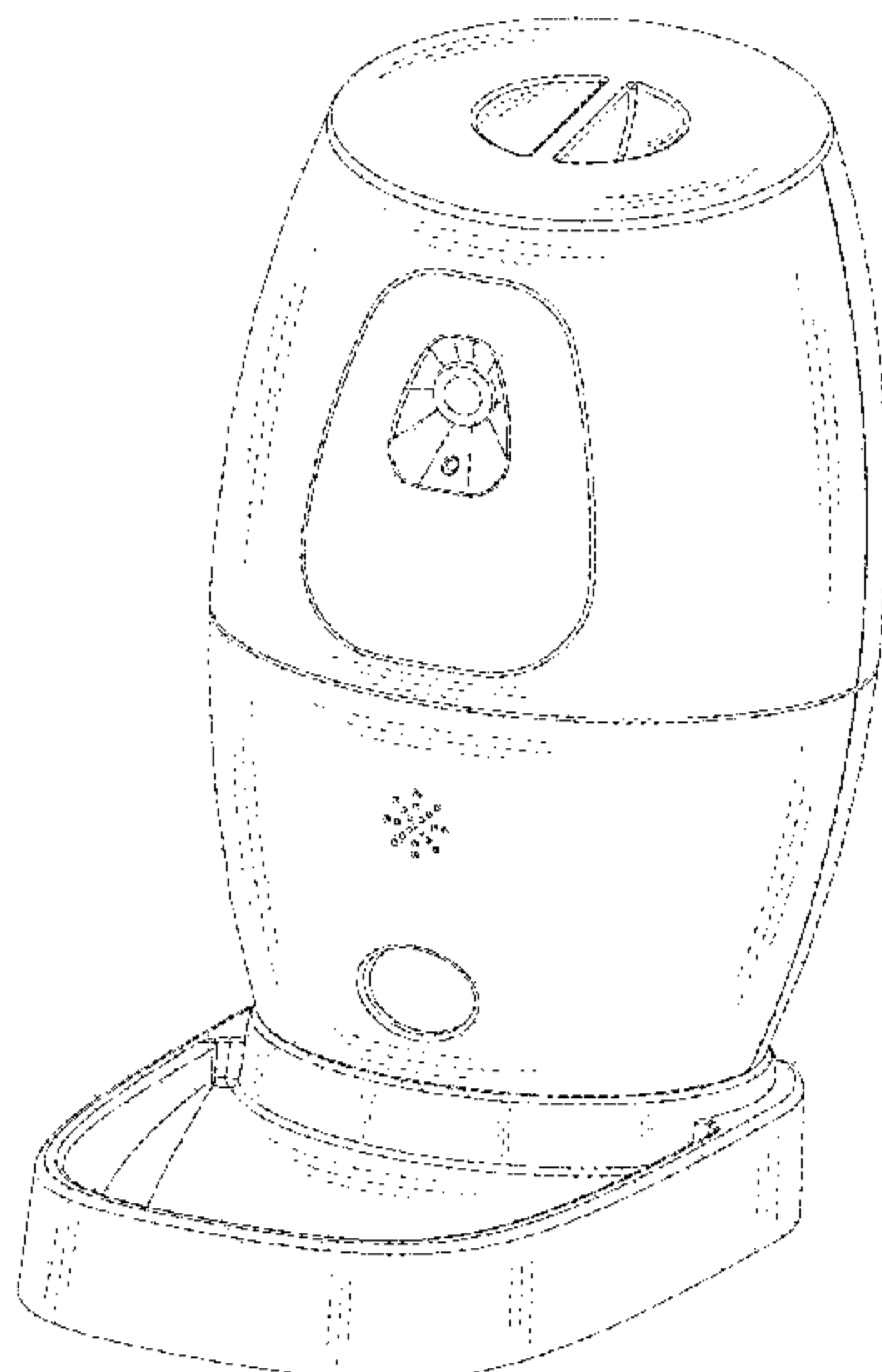
(57) **CLAIM**

The ornamental design for a pet feeder, as shown and described.

DESCRIPTION

FIG. 1 is a rear and bottom perspective view of a pet feeder showing my new design;
FIG. 2 is a front and top perspective view thereof;
FIG. 3 is a front elevation view thereof;
FIG. 4 is a rear elevation view thereof;
FIG. 5 is a left side elevation view thereof;
FIG. 6 is a right side elevation view thereof;
FIG. 7 is a top plan view thereof; and,
FIG. 8 is a bottom plan view thereof.

1 Claim, 8 Drawing Sheets



(56)

References Cited

U.S. PATENT DOCUMENTS

7,426,901 B2 * 9/2008 Turner A01K 5/025
119/51.02
D617,966 S * 6/2010 Lee D32/31
D702,983 S * 4/2014 Clark D7/306
8,857,209 B2 * 10/2014 Wang B65D 85/36
220/592.2
D727,867 S * 4/2015 Chao D16/202
D731,124 S * 6/2015 Shin D30/122
D739,614 S * 9/2015 Ausman D30/121
9,795,115 B2 * 10/2017 Ausman A01K 5/025
D814,124 S * 3/2018 Ward D30/122
D816,394 S * 5/2018 Yeung D7/378
10,058,072 B2 * 8/2018 Jin A01K 15/02
D835,356 S * 12/2018 Xie D30/122
D840,115 S * 2/2019 Nieves D30/122
D840,620 S * 2/2019 Kim D15/199
D843,665 S * 3/2019 Zeng D30/122
D844,258 S * 3/2019 Xu D30/122
D852,431 S * 6/2019 Ma D30/122
D855,094 S * 7/2019 Li D15/199
D862,550 S * 10/2019 Shu B25J 9/044
D15/199
D876,022 S * 2/2020 Hua D30/122
D876,023 S * 2/2020 Eom D30/122
D877,424 S * 3/2020 Xu D30/122
D884,985 S * 5/2020 Chen D30/122
D884,986 S * 5/2020 Chen D30/122
D888,346 S * 6/2020 Jiang D30/122

D907,305 S * 1/2021 Wang D30/122
D920,592 S * 5/2021 Tang D30/122
D923,257 S * 6/2021 Wu D30/122
D945,712 S * 3/2022 Zeng D30/122
D947,924 S * 4/2022 Zheng D16/208
2002/0134313 A1 * 9/2002 Andrew King A01K 5/025
119/51.02
2005/0217591 A1 * 10/2005 Turner A01K 5/0114
119/51.02
2007/0193524 A1 * 8/2007 Turner A01K 5/0291
119/51.02
2010/0307424 A1 * 12/2010 Evans A01K 1/033
119/416
2011/0226187 A1 * 9/2011 Bertsch A01K 15/025
119/61.55
2015/0101543 A1 * 4/2015 Baxter A01K 5/0142
119/498
2016/0007564 A1 * 1/2016 Ma A01K 5/0291
119/57.1
2016/0227738 A1 * 8/2016 Ausman A01K 5/0142
2016/0235035 A1 * 8/2016 Ma A01K 5/0225
2016/0270369 A1 * 9/2016 Jin A01K 5/0114
2016/0286755 A1 * 10/2016 Feng A01K 5/0283
2016/0295836 A1 * 10/2016 Cheng A01K 15/025
2017/0099804 A1 * 4/2017 Chang A01K 7/06
2018/0199541 A1 * 7/2018 Huang A01K 5/0291
2019/0059319 A1 * 2/2019 Hsiao A01K 5/0114
2019/0059322 A1 * 2/2019 Xu A01K 7/02
2020/0037579 A1 * 2/2020 Eom A01K 5/0291

* cited by examiner

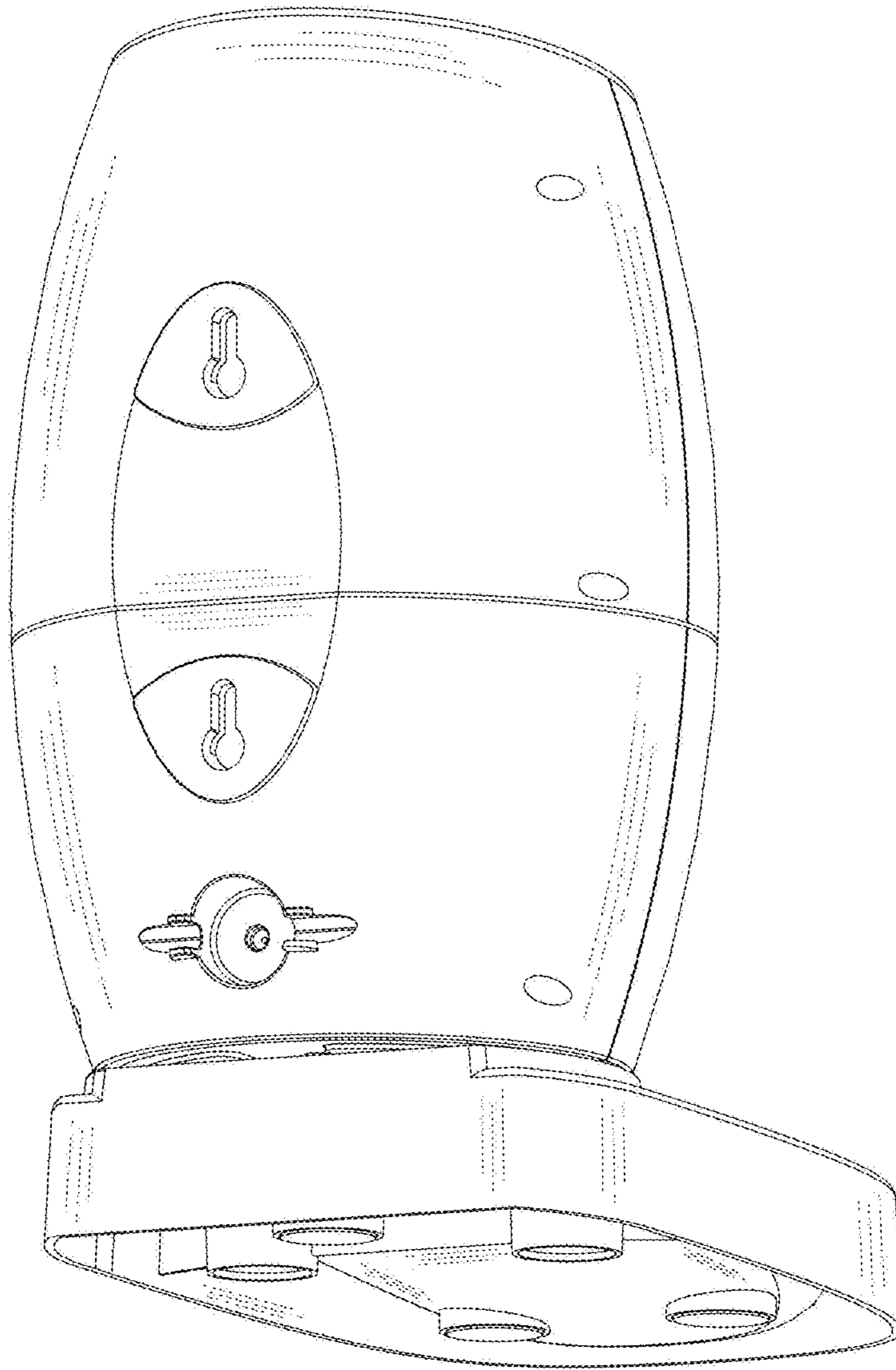


FIG.1

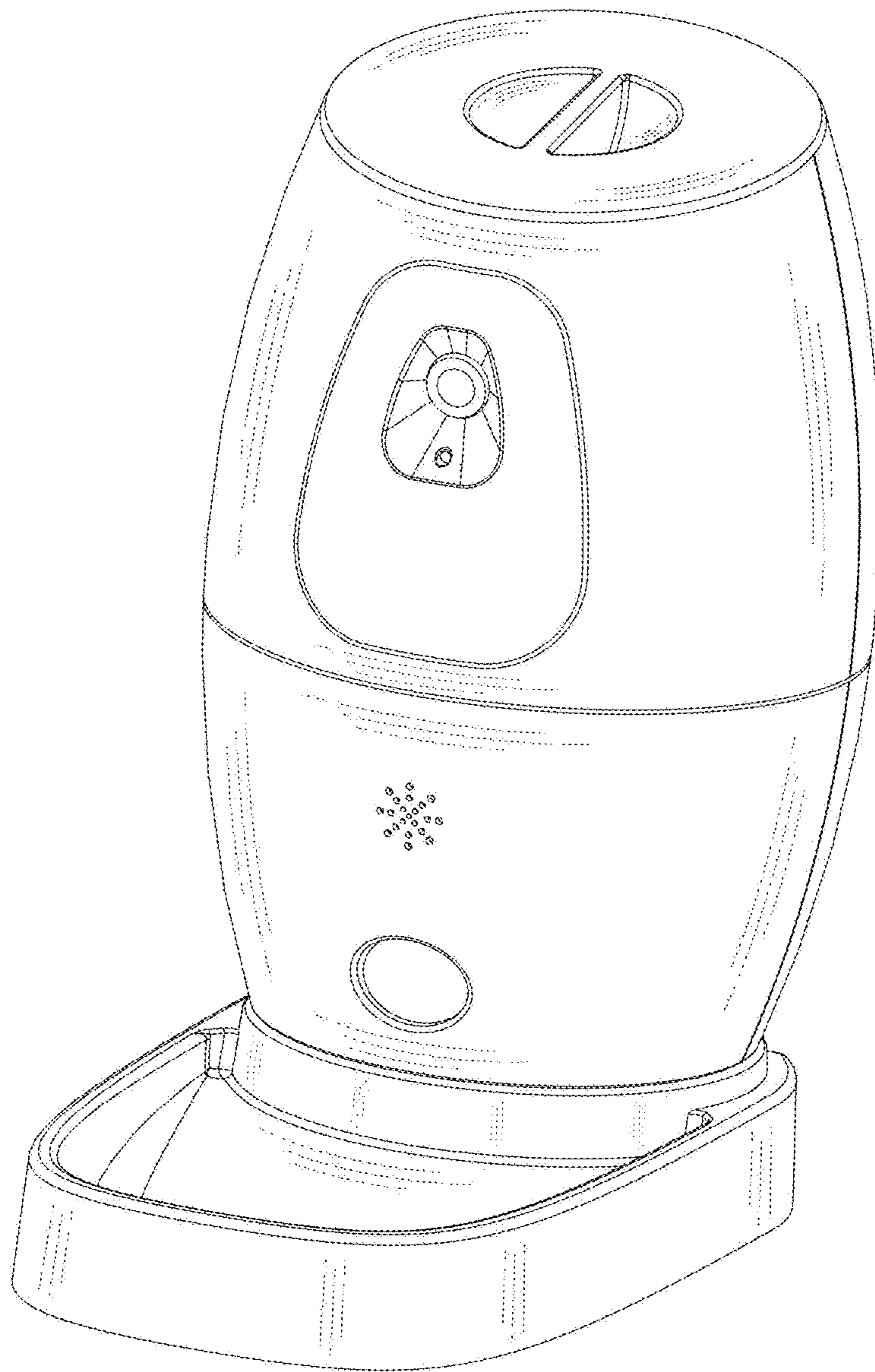


FIG.2

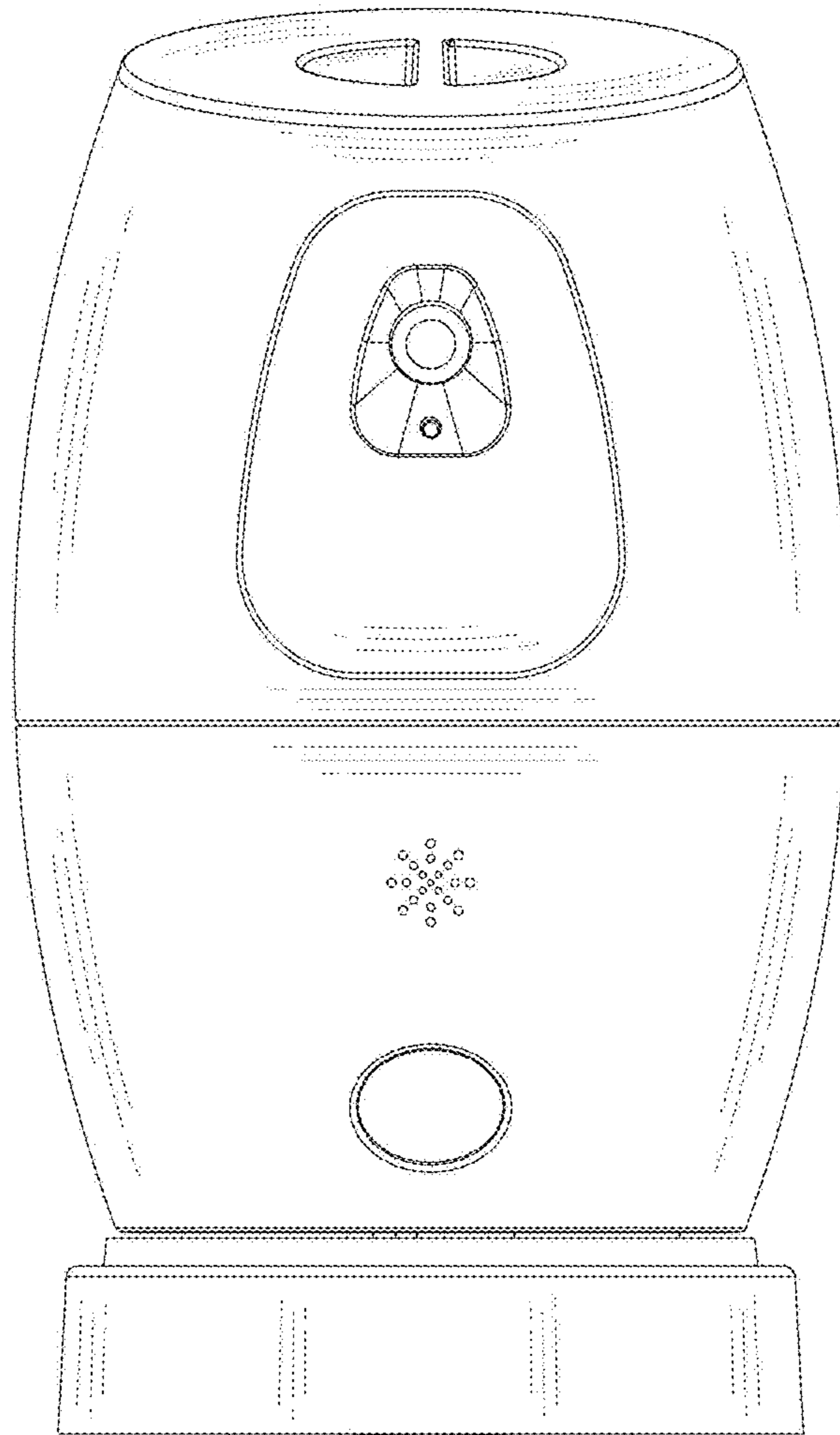


FIG.3

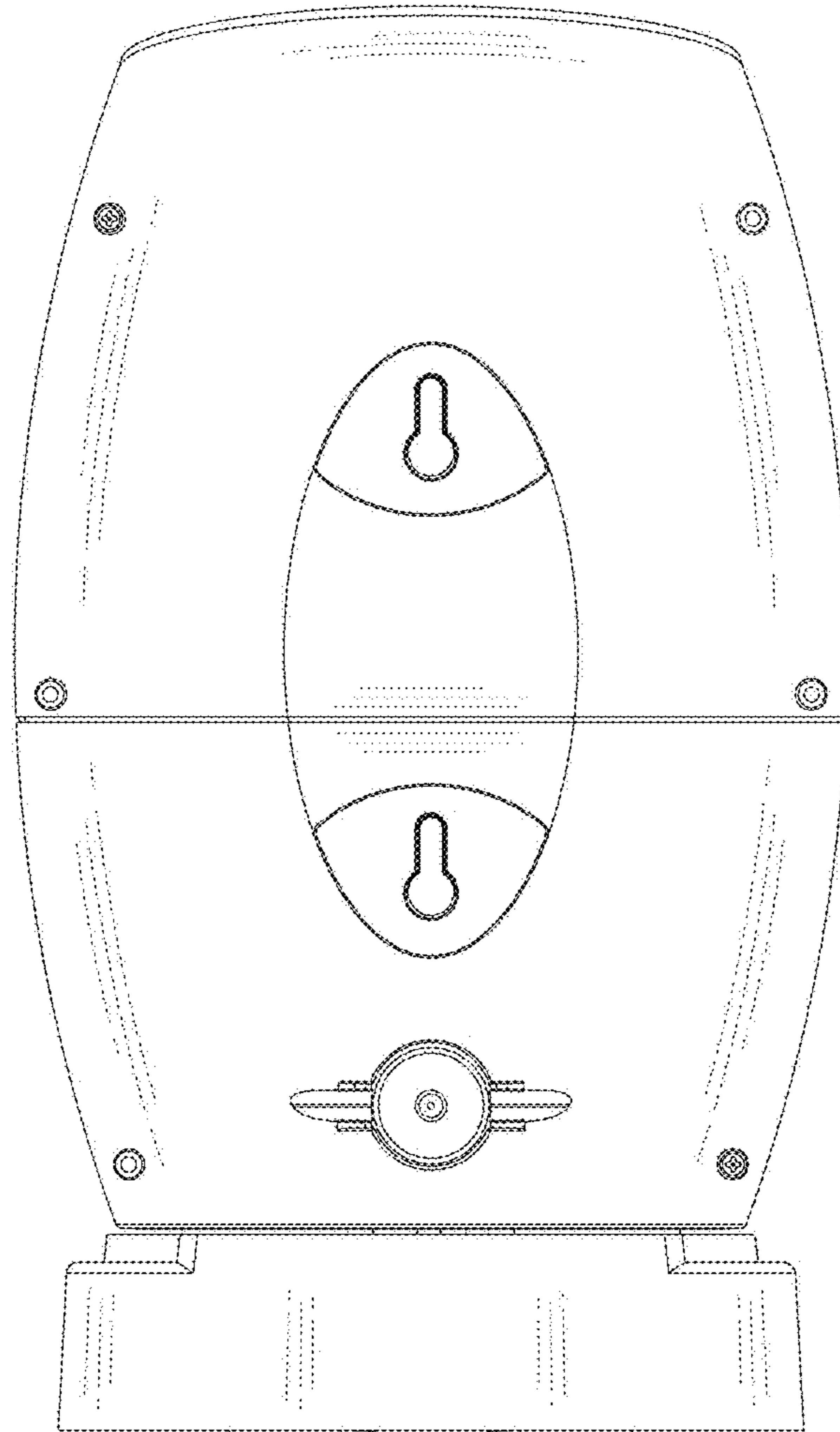


FIG.4

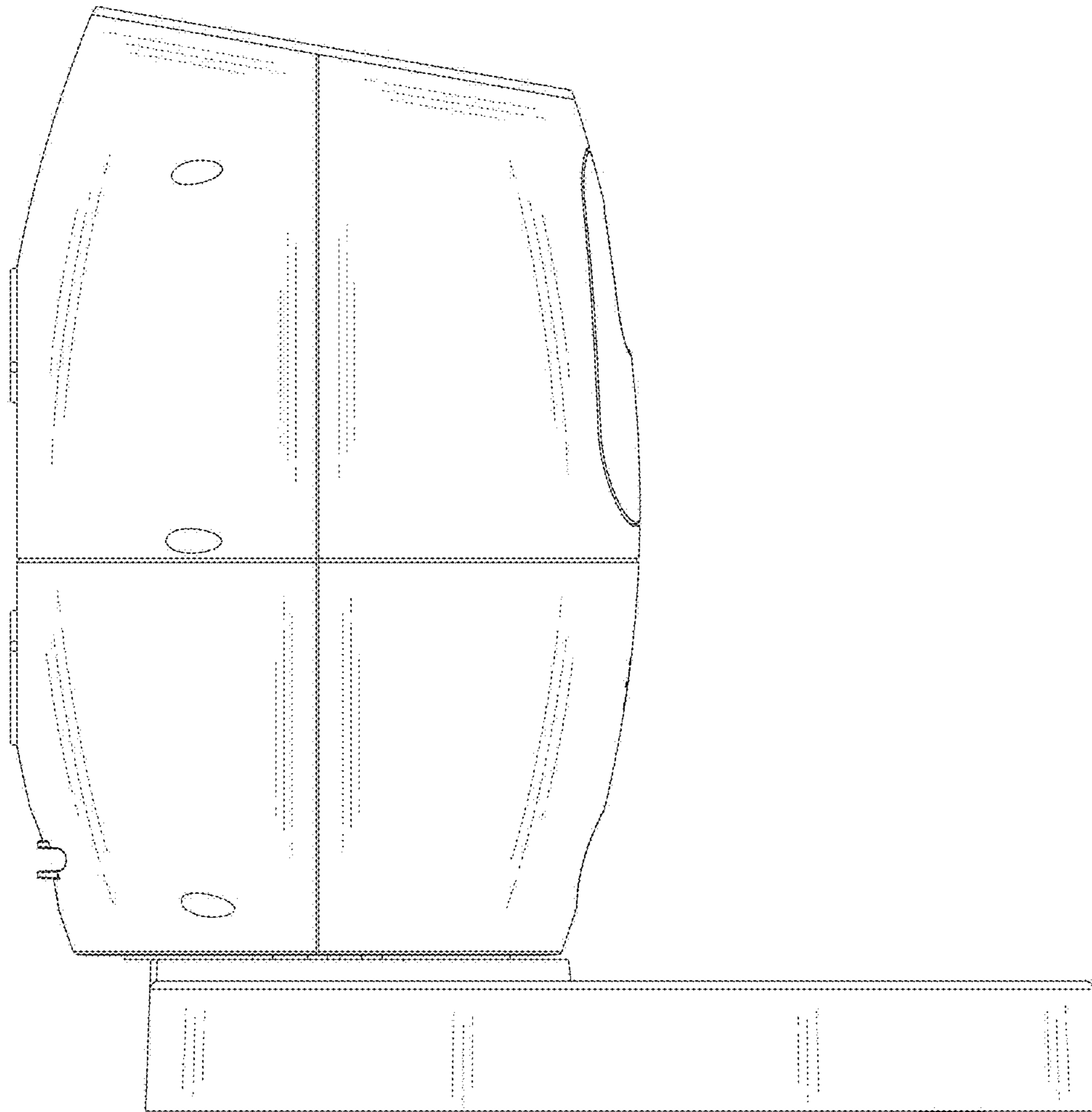


FIG. 5

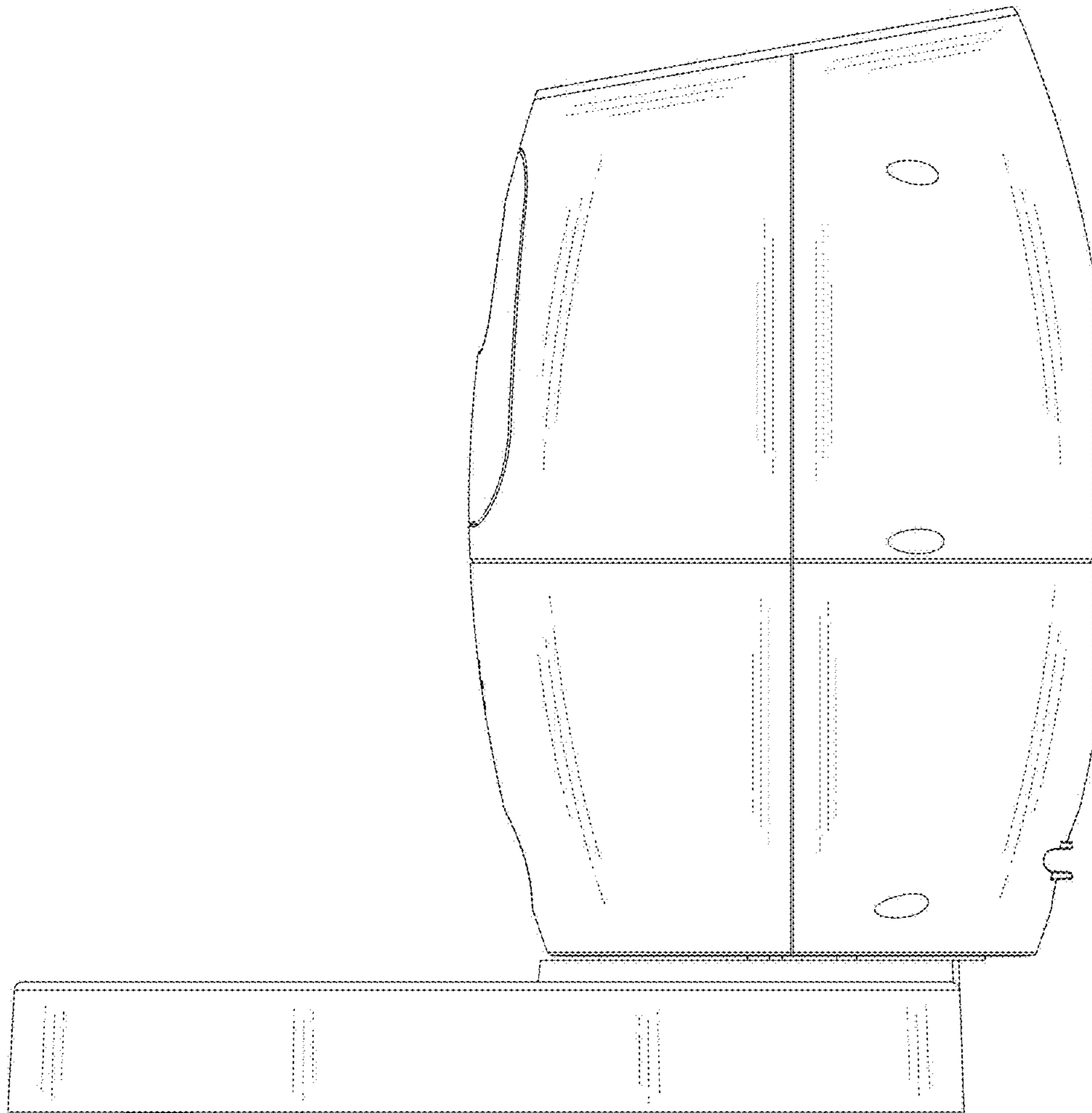


FIG.6

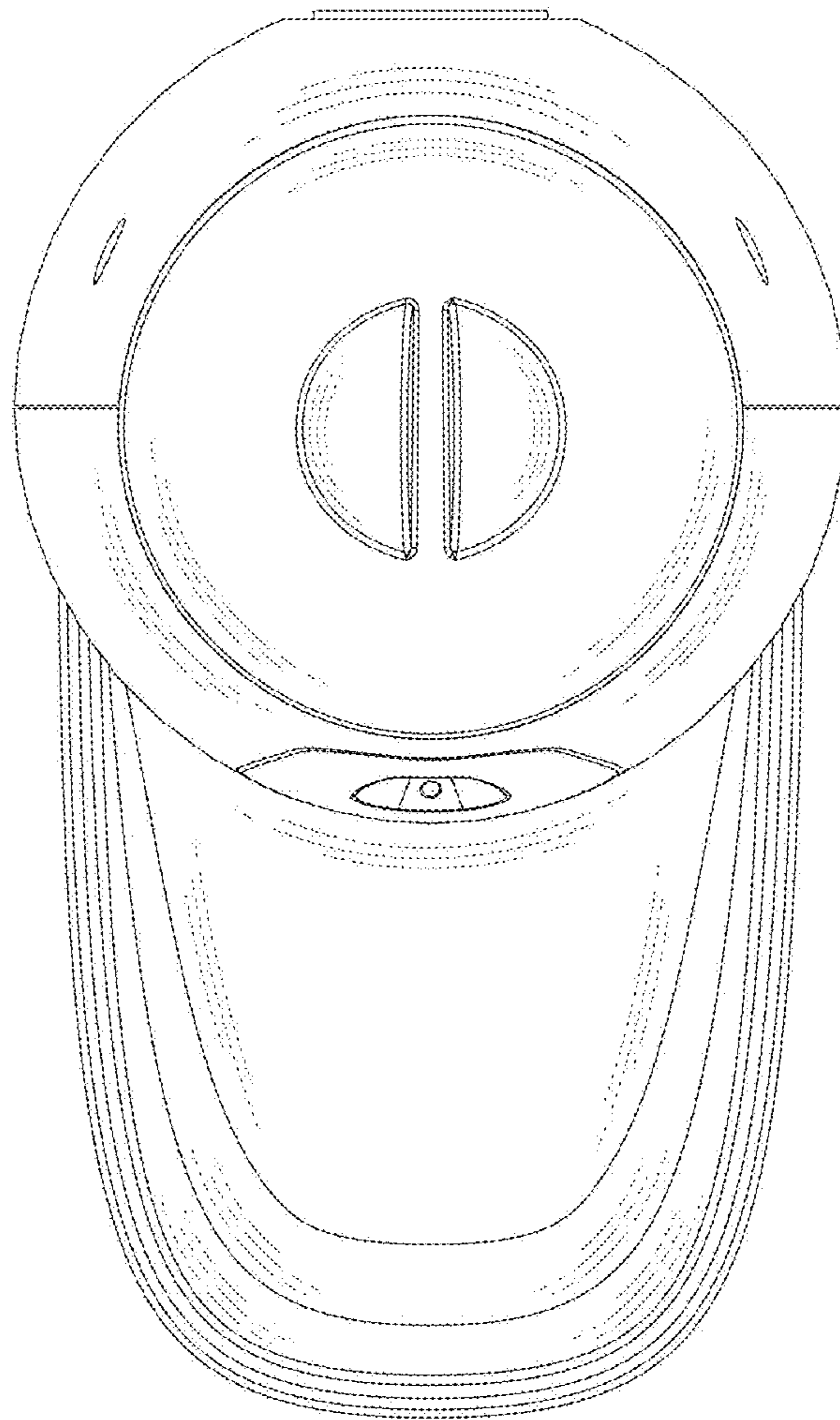


FIG. 7

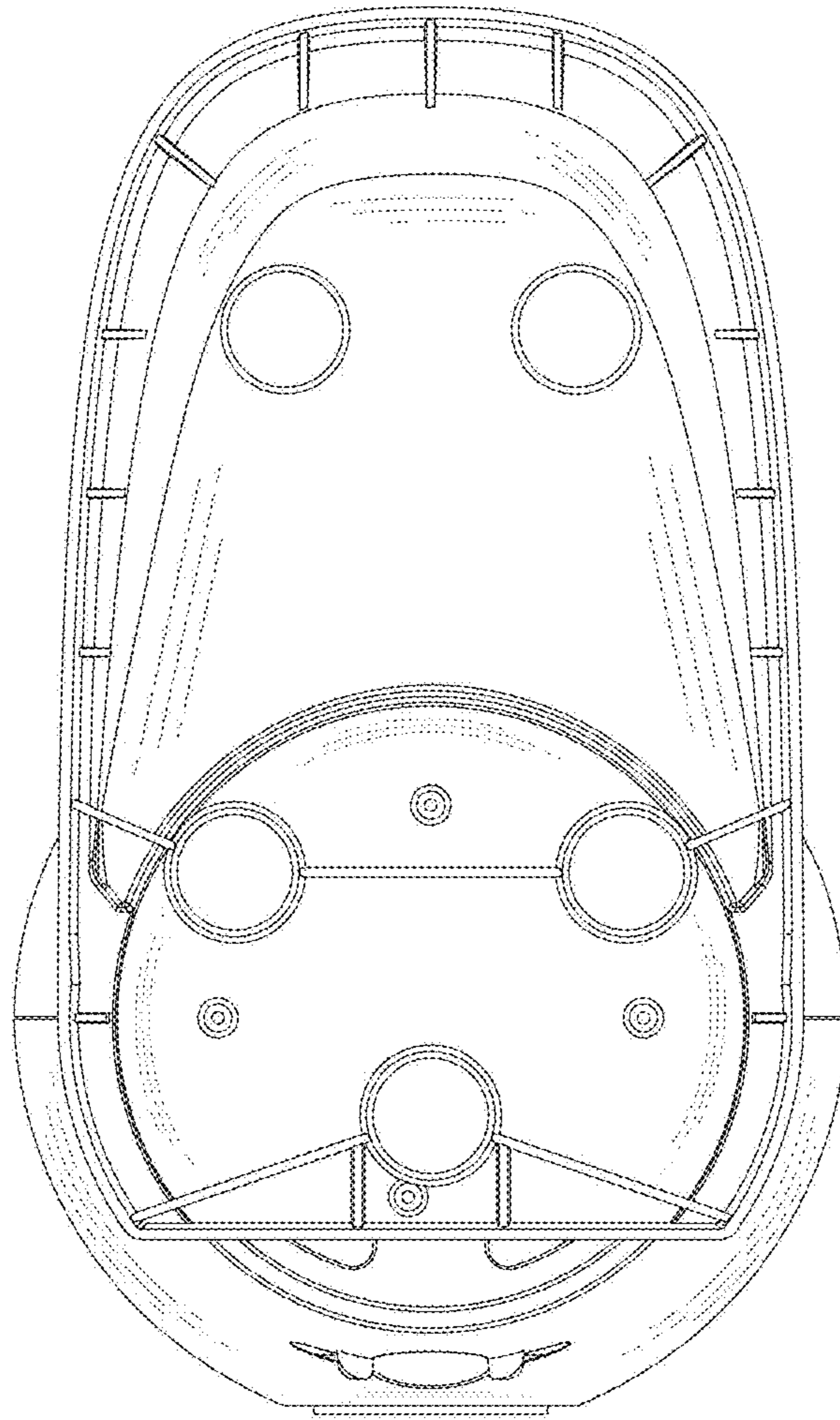


FIG. 8