



US00D963253S

(12) **United States Design Patent** (10) **Patent No.:** **US D963,253 S**  
**Zuppke et al.** (45) **Date of Patent:** **\*\* Sep. 6, 2022**

(54) **DOMESTIC ANIMAL SHELTER SIDE TABLE**

D569,053 S \* 5/2008 Lee ..... D30/161  
D640,837 S \* 6/2011 Henley ..... D30/108  
8,640,652 B2 \* 2/2014 Callari ..... A01K 1/035  
119/702

(71) Applicants: **Automated Pet Care Products, LLC**,  
Auburn Hills, MI (US); **Sauder  
Woodworking Co.**, Archbold, OH (US)

(Continued)

(72) Inventors: **Jacob Zuppke**, Bloomfield Hills, MI  
(US); **Matthew Wyman**, Auburn Hills,  
MI (US); **Mark Strayer**, Lamar, MO  
(US)

FOREIGN PATENT DOCUMENTS

CN 304543469 \* 3/2018  
JP D1154751 \* 9/2002

(73) Assignee: **AUTOMATED PET CARE  
PRODUCTS, LLC**, Auburn Hills, MI  
(US)

OTHER PUBLICATIONS

Amazon Basics Single Scratching Post Wooden Cat Tree Furniture,  
available in Amazon.com, date first available Dec. 27, 2018 [online],  
[site visited Feb. 10, 2022], Available from the internet URL:  
[https://www.amazon.com/dp/B07G3MPY69/ref=cm\\_sw\\_em\\_r\\_mt\\_dp\\_6VSGR18NYQGCHEVJEEVV?\\_encoding=UTF8&th=1](https://www.amazon.com/dp/B07G3MPY69/ref=cm_sw_em_r_mt_dp_6VSGR18NYQGCHEVJEEVV?_encoding=UTF8&th=1) (Year:  
2018).\*

(\*\*) Term: **15 Years**

(Continued)

(21) Appl. No.: **29/751,852**

(22) Filed: **Sep. 23, 2020**

*Primary Examiner* — Jennifer L Rempfer

(51) **LOC (13) Cl.** ..... **30-02**

*Assistant Examiner* — Elizabeth Anne Glassberg

(52) **U.S. Cl.**  
USPC ..... **D30/108**; D6/663

(74) *Attorney, Agent, or Firm* — The Dobrusin Law Firm,  
P.C.; Daniela M. Thompson-Walters

(58) **Field of Classification Search**  
USPC ..... D6/663, 692; D30/108, 109, 110, 111,  
D30/112, 113, 114, 115, 116, 117, 118,  
D30/119, 120, 160, 161

(57) **CLAIM**

We claim the ornamental design of a domestic animal shelter  
side table, as shown and described.

CPC .. A01K 1/0107; A01K 1/0236; A01K 1/0272;  
A01K 1/029; A01K 1/033; A01K 1/034;  
A01K 1/035; A01K 1/0035

**DESCRIPTION**

See application file for complete search history.

FIG. 1 is a front perspective view of a domestic animal  
shelter side table;  
FIG. 2 is a rear perspective view thereof;  
FIG. 3 is a front view thereof;  
FIG. 4 is a rear view of thereof;  
FIG. 5 is a left side view thereof;  
FIG. 6 is a right side view thereof;  
FIG. 7 is a top view thereof; and,  
FIG. 8 is a bottom view thereof.

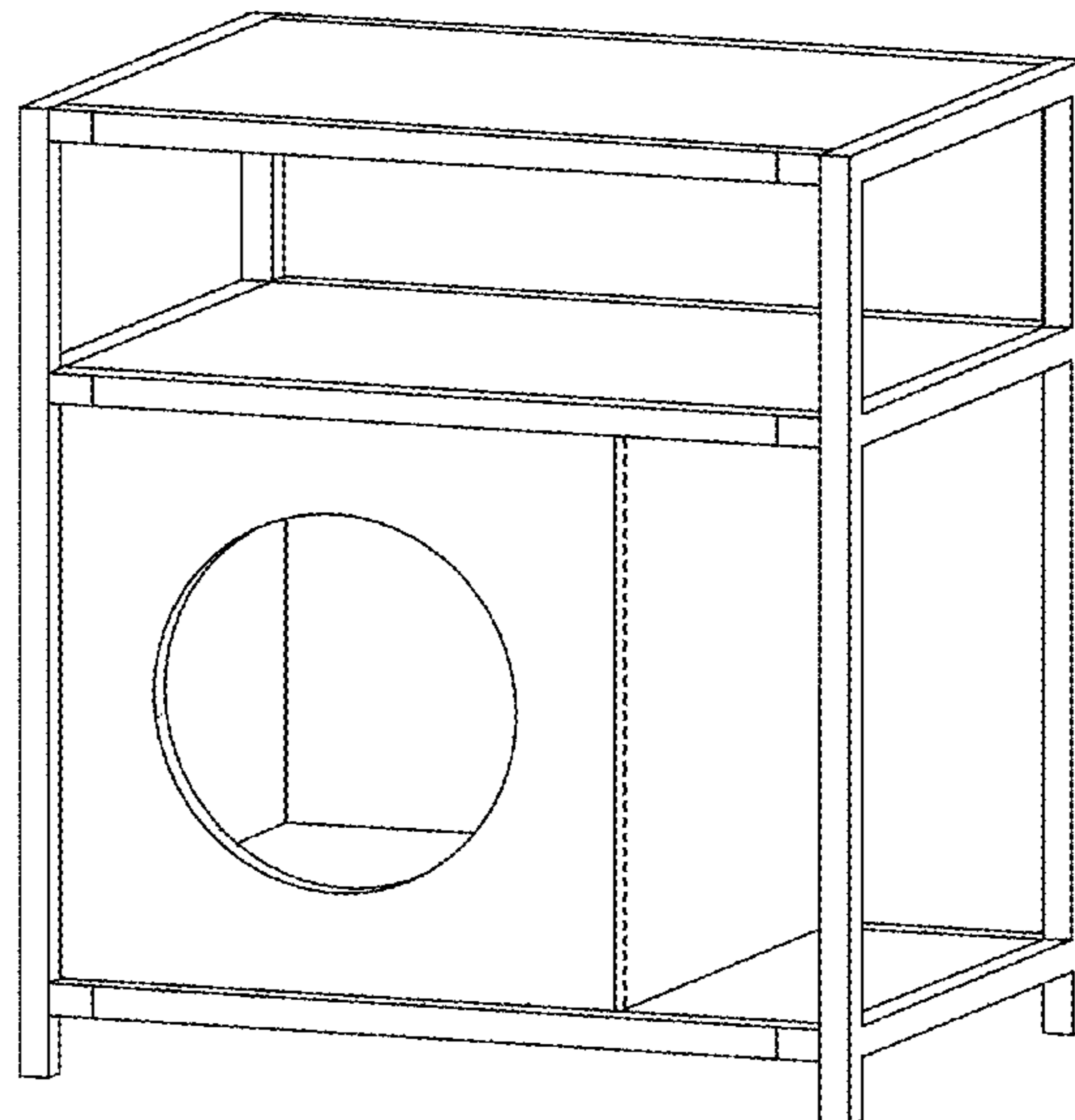
The broken lines depict features of the domestic animal  
shelter side table that form no part of the design claim.

(56) **References Cited**

U.S. PATENT DOCUMENTS

4,347,807 A \* 9/1982 Reich ..... A01K 1/033  
119/706  
D338,283 S \* 8/1993 Pfriender ..... D30/108  
D554,303 S \* 10/2007 Linehan ..... D30/160  
D563,604 S \* 3/2008 Pacana ..... D30/108

**1 Claim, 7 Drawing Sheets**



(56)

**References Cited**

## U.S. PATENT DOCUMENTS

D789,622 S \* 6/2017 Kellogg ..... D30/160  
D858,910 S \* 9/2019 Itzhak-Sigron ..... D30/160  
D882,879 S \* 4/2020 Lara ..... D30/118  
2016/0338316 A1 \* 11/2016 Niedwick ..... A01K 1/0353  
2018/0249674 A1 \* 9/2018 Koskey, Jr. .... D03D 1/0017  
2019/0230895 A1 \* 8/2019 Lin ..... A01K 1/035

## OTHER PUBLICATIONS

Modern Cat Furniture You and Your Pet Will Love, available in design-milk.com, announced Oct. 29, 2020 [online], [site visited Feb. 11, 2022], Internet URL: <https://design-milk.com/modern-cat-furniture-you-and-your-pet-will-love/> (Year: 2020).\*

Albergo Cat Tree by MiaCara available at <https://www.tuftandpaw.com/collections/cat-trees/products/albergo-cat-tree> and accessed on Feb. 9, 2021.

The Story of Albergo by MiaCara available <https://www.miacara.com/en/ueber-albergo/> and accessed on Feb. 9, 2021.

12 Meubles Design pour Chat & Chiens available at <https://www.homelistry.com/meubles-design-chat-chien/> and accessed on Feb. 9, 2021. No English translation provided, specifically provided for design on p. 4 under “190 1—Un lit carre cosy pour chat.”

Beau Dog House by Kelly Wearstler available at <https://www.kellywearstler.com/pet-accessories/beau-dog-house/HPE0021.html?start=11&cgid=pets-accessories#start=12> and accessed on Feb. 9, 2021.

Modern Cat House by PurrFurPL available at [https://www.etsy.com/listing/574634043/modern-cat-house-made-from-plywood-in?ref=shop\\_review](https://www.etsy.com/listing/574634043/modern-cat-house-made-from-plywood-in?ref=shop_review) and accessed on Feb. 9, 2021.

\* cited by examiner

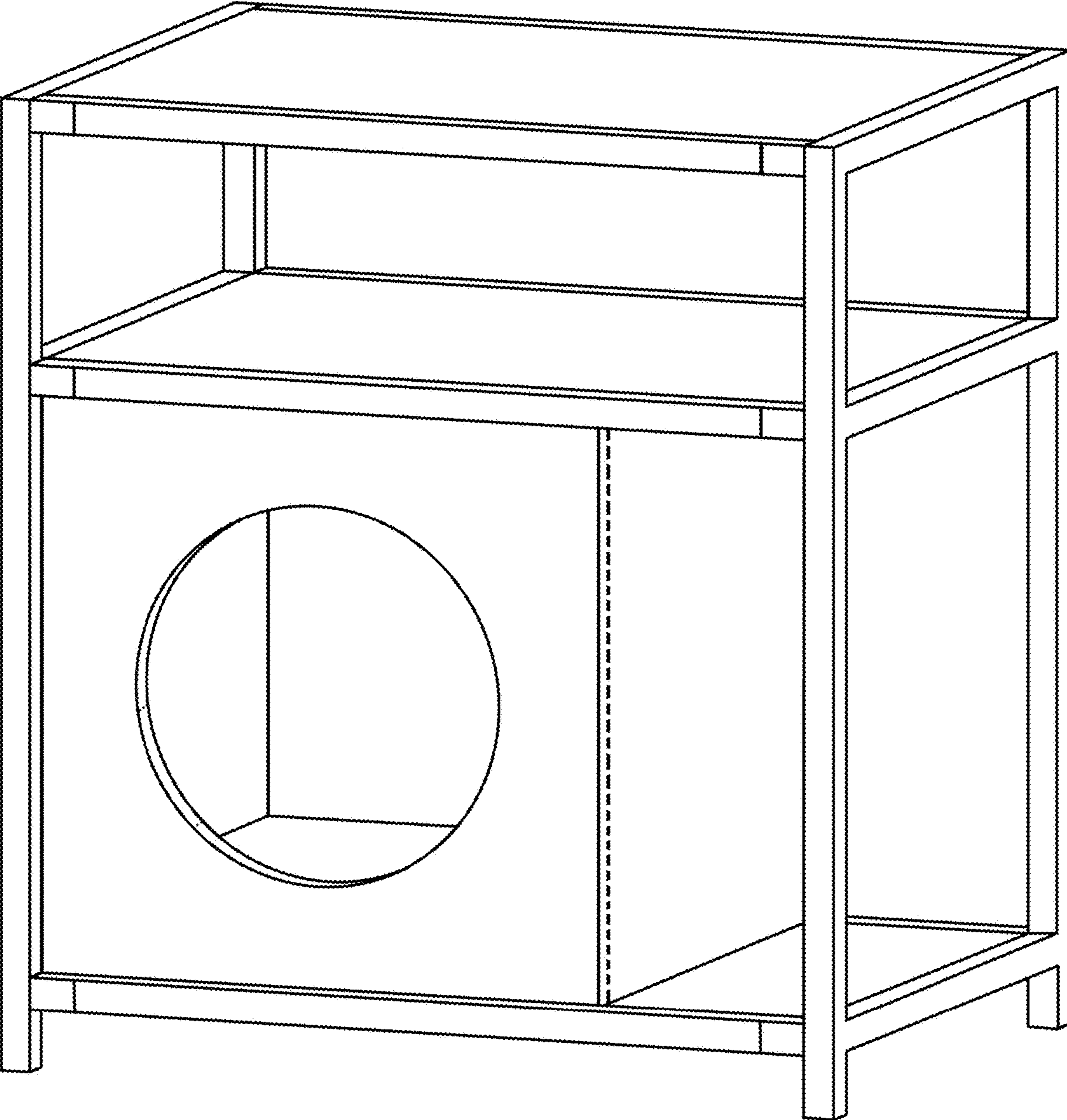


FIG.-1

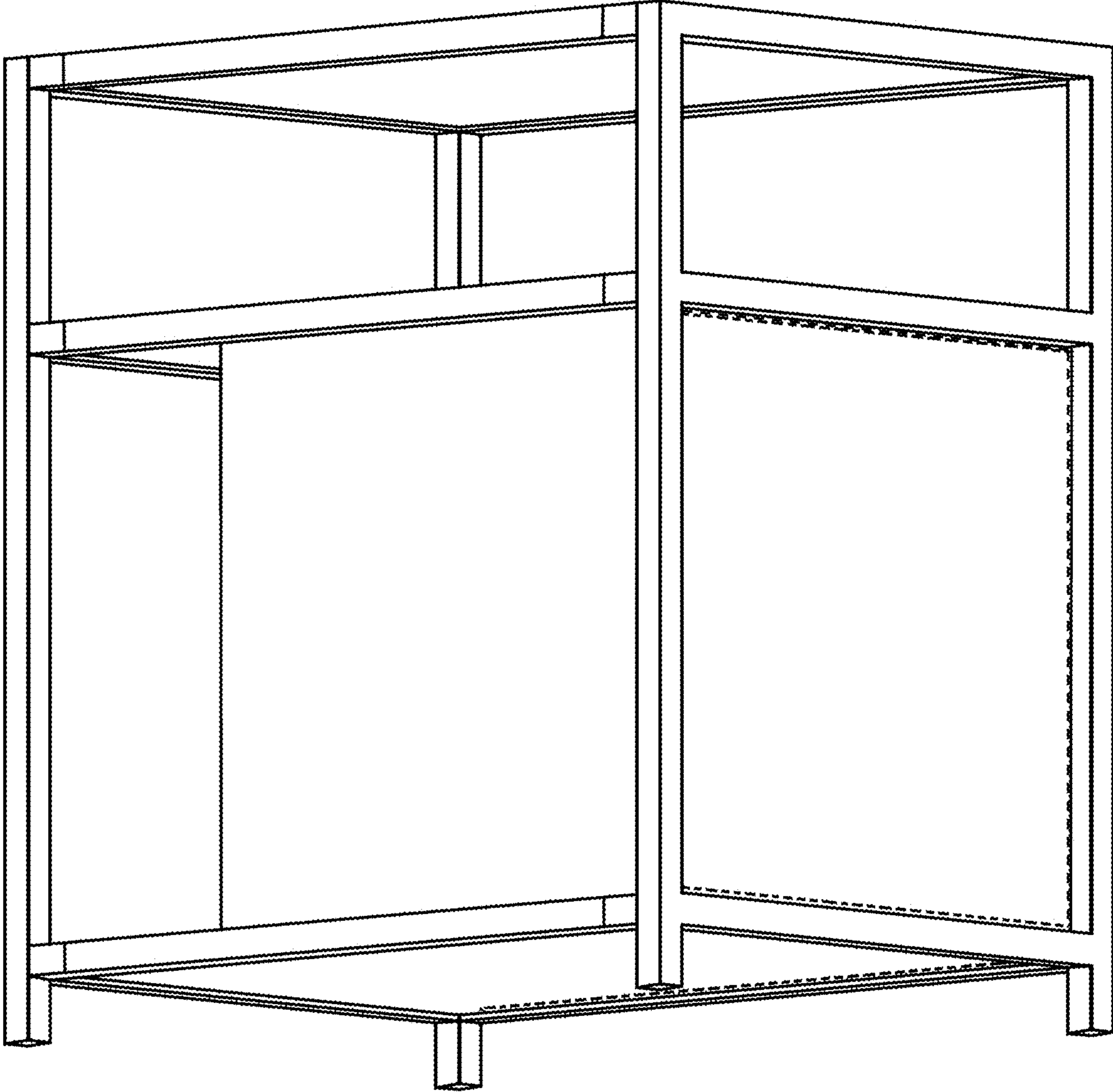
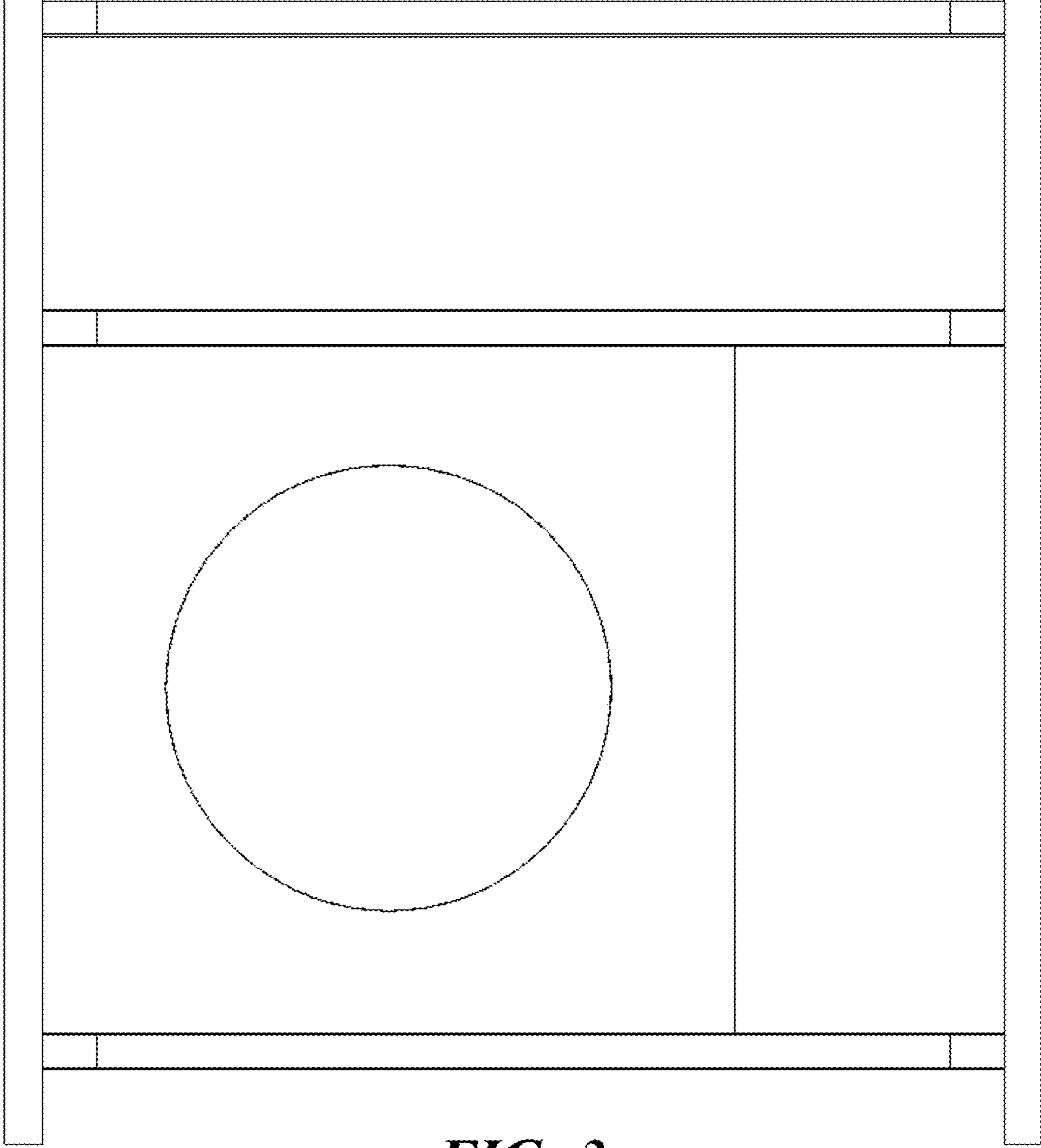
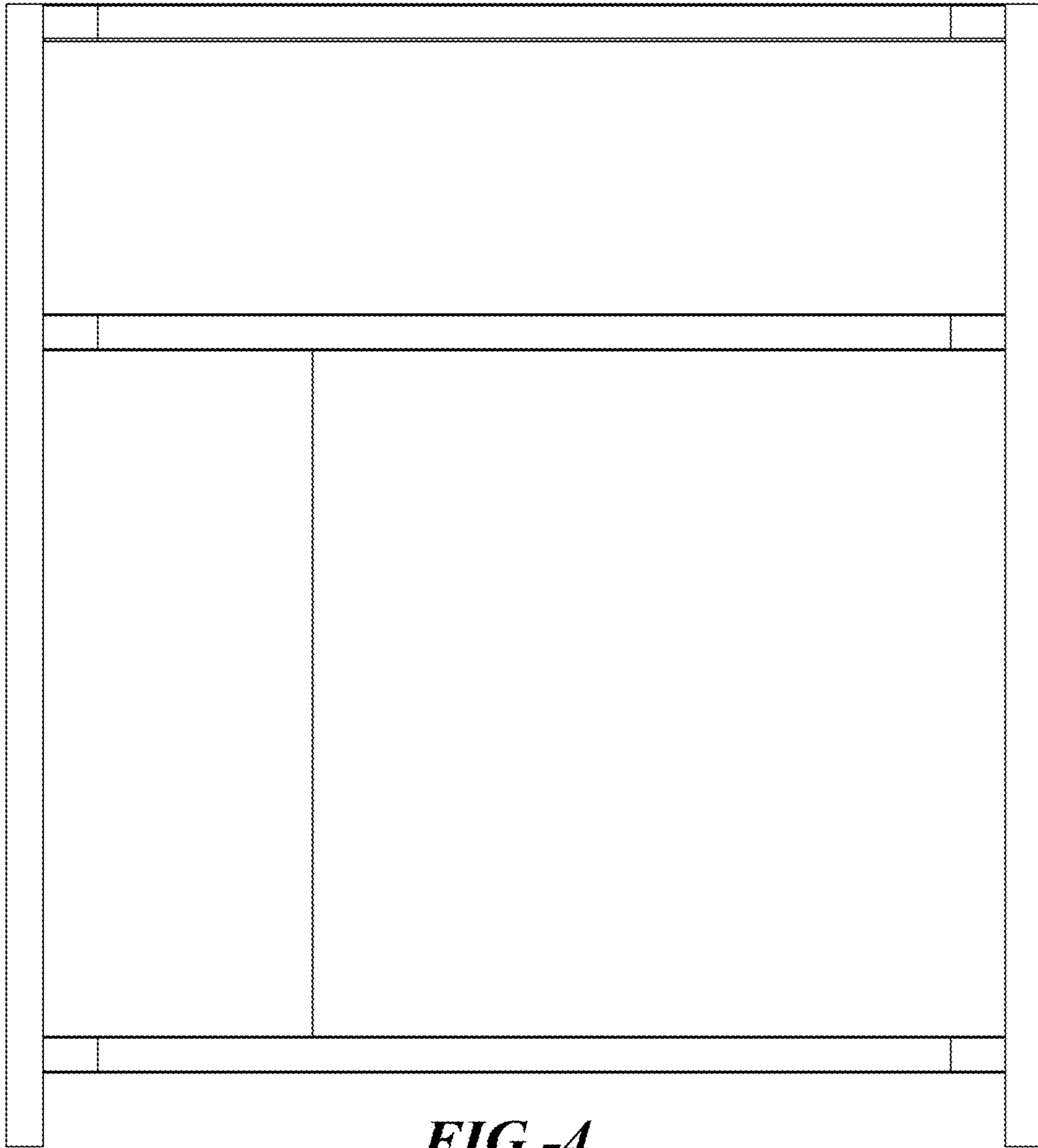


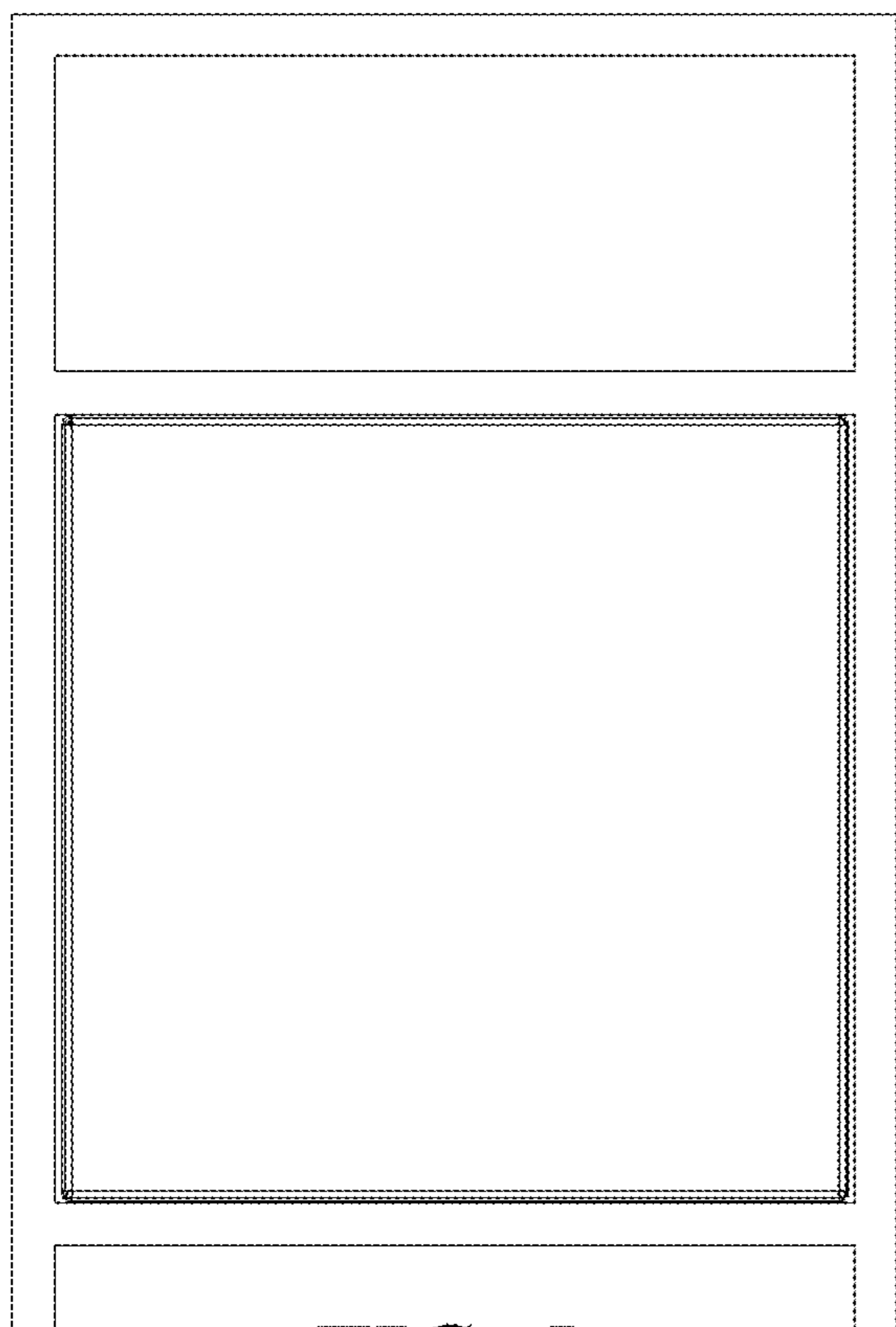
FIG.-2



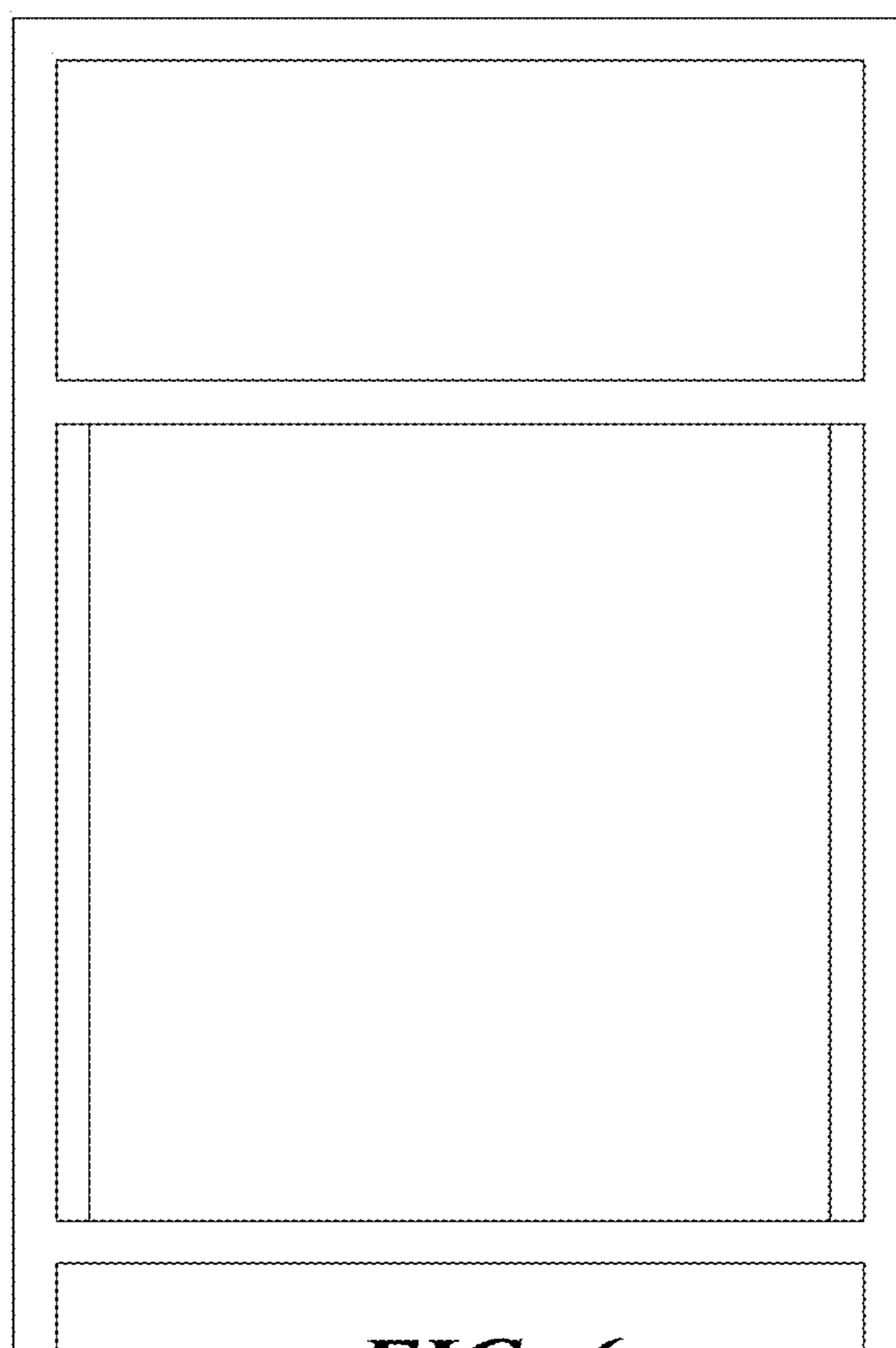
**FIG.-3**



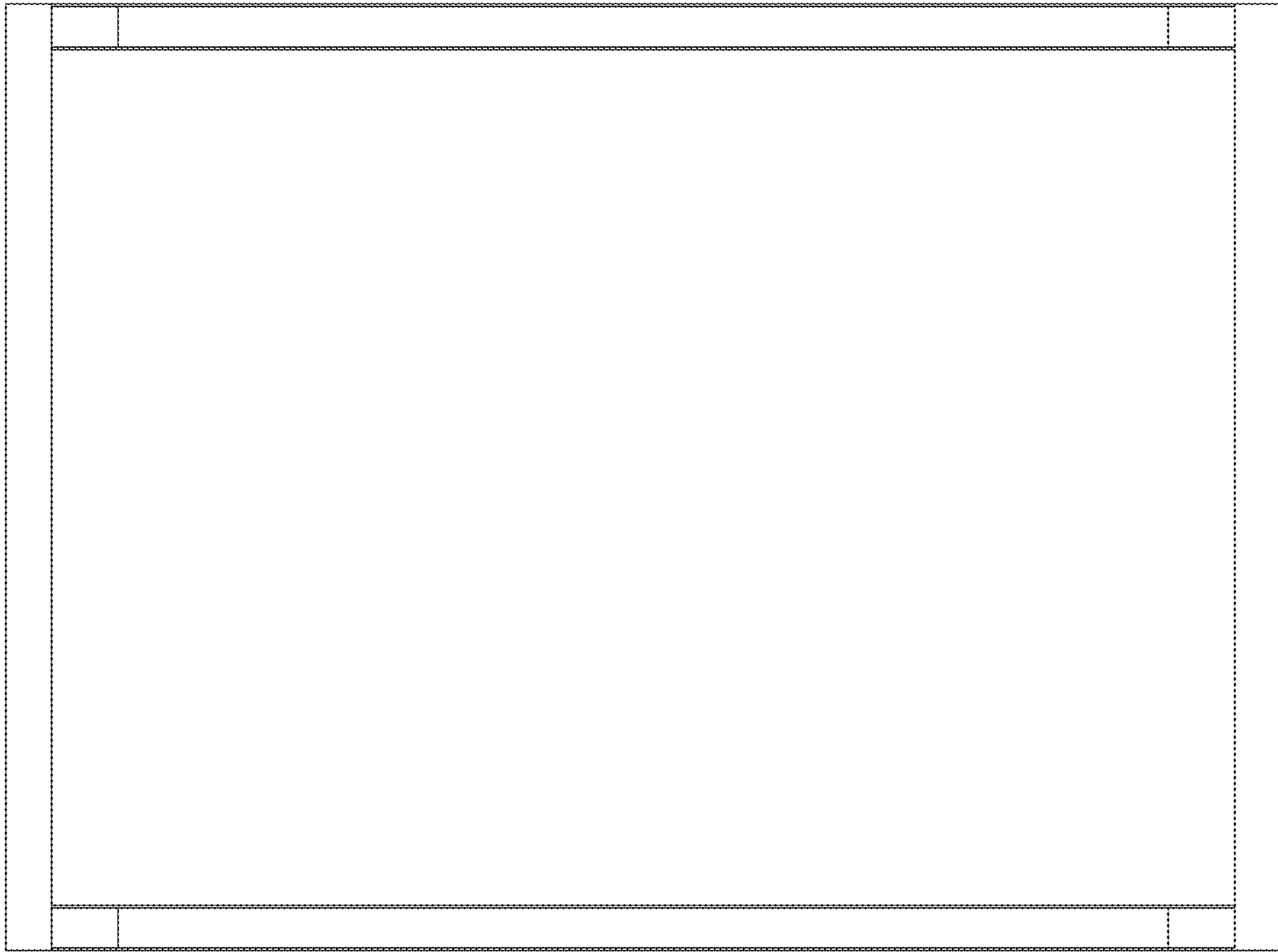
**FIG.-4**



**FIG.-5**

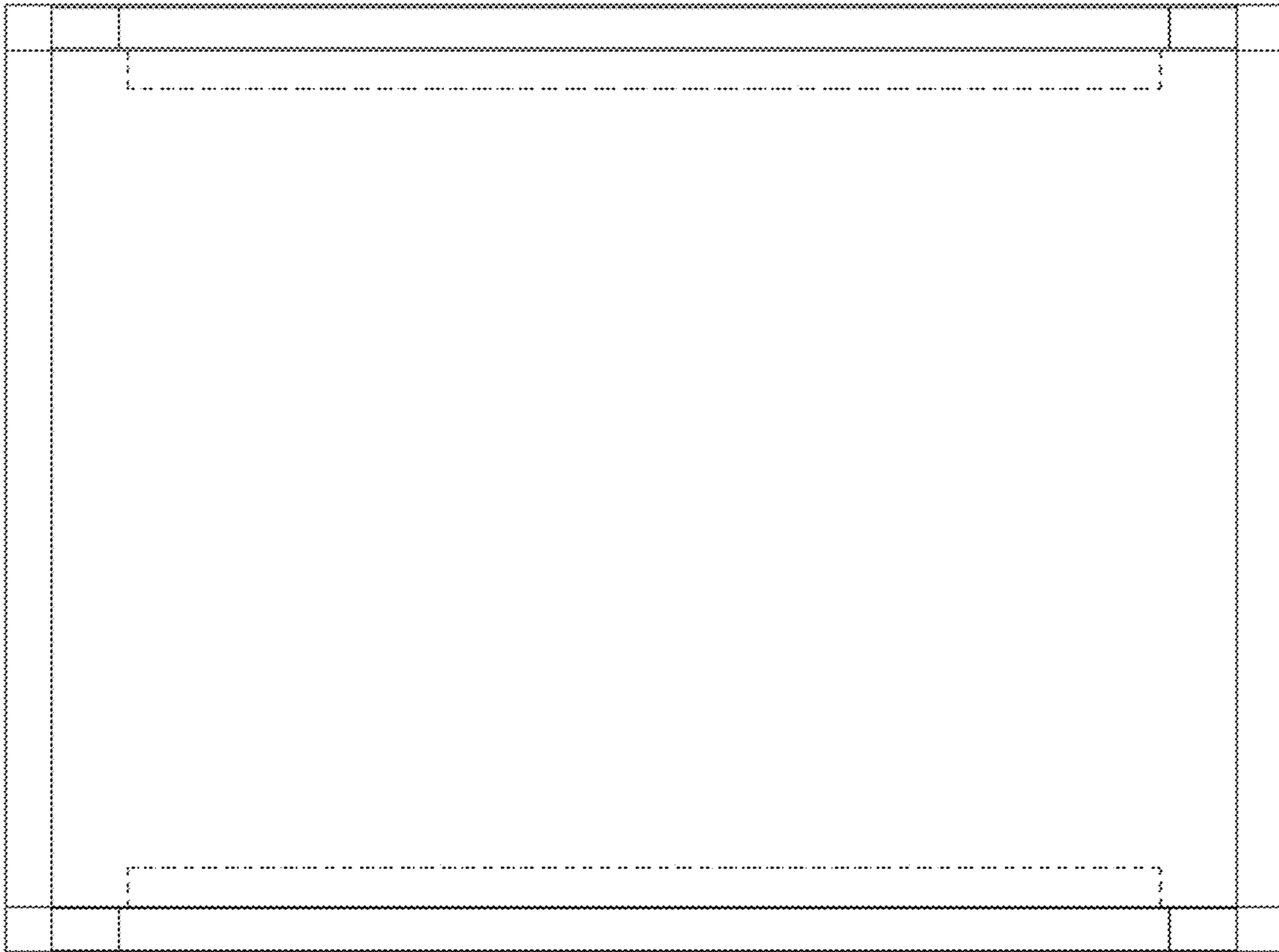


**FIG.-6**



**FIG.-7**





**FIG.-8**