



US00D963251S

(12) **United States Design Patent**  
**Fontana**

(10) **Patent No.:** **US D963,251 S**  
(45) **Date of Patent:** **\*\* Sep. 6, 2022**

(54) **ACCESSORY FOR A BASEBALL MASK**  
(71) Applicant: **Richard Fontana**, Alta Loma, CA (US)  
(72) Inventor: **Richard Fontana**, Alta Loma, CA (US)  
(\*\*) Term: **15 Years**  
(21) Appl. No.: **29/698,792**  
(22) Filed: **Jul. 19, 2019**  
(51) **LOC (13) Cl.** ..... **29-02**  
(52) **U.S. Cl.**  
USPC ..... **D29/122**  
(58) **Field of Classification Search**  
USPC ..... D29/100, 102, 105, 106, 108, 111, 122;  
D24/190, 191, 110.1, 110.2; D2/891, 892  
CPC ... A63B 71/08; A63B 71/10; A63B 2071/105;  
A42B 1/08; A42B 3/00; A42B 3/04;  
A42B 3/0406; A42B 3/06; A42B 3/062;  
A42B 3/18; A42B 3/20; A42B 3/22;  
A42B 3/28; A41D 13/001; A41D 13/11;  
A41D 13/1107; A41D 13/1161; A41D  
13/1184; A41D 13/1218; A62B 18/02;  
A61F 9/06

See application file for complete search history.

(56) **References Cited**

**U.S. PATENT DOCUMENTS**

2,143,483 A \* 1/1939 Iglauer ..... A63B 71/10  
D29/104  
3,174,155 A \* 3/1965 Pitman ..... A42B 3/20  
2/411  
D257,073 S 9/1980 Jenkins  
D265,350 S 7/1982 Davis  
4,736,466 A 4/1988 Kallstrom  
5,175,889 A \* 1/1993 Infusino ..... A42B 3/122  
2/413  
D333,536 S 2/1993 Dooley  
D334,084 S 3/1993 Hunt et al.  
5,267,353 A 12/1993 Milligan  
D373,447 S 9/1996 Chen  
5,699,556 A 12/1997 Chen

5,737,770 A 4/1998 Chen  
D412,376 S 7/1999 Jurga et al.  
5,953,761 A 9/1999 Jurga et al.  
6,189,156 B1 2/2001 Loiars  
6,272,692 B1 \* 8/2001 Abraham ..... A42B 3/063  
2/909  
D448,528 S 9/2001 Fujimoto et al.  
6,389,607 B1 \* 5/2002 Wood ..... A42B 3/00  
2/425  
D617,503 S \* 6/2010 Szalkowski ..... D29/122  
D640,422 S \* 6/2011 Green ..... D29/122  
D670,868 S \* 11/2012 Harris ..... D29/122  
(Continued)

**OTHER PUBLICATIONS**

Easton Elite-Type Catcher's Helmet Enhancer, <https://enhancedsportsolutions.com/products/easton-elite-catchers-helmet-enhancer>, copyright Enhanced Sports Solutions 2022. (Year: 2022).\*

*Primary Examiner* — Elizabeth J Oswecki  
(74) *Attorney, Agent, or Firm* — Brooks Kushman PC

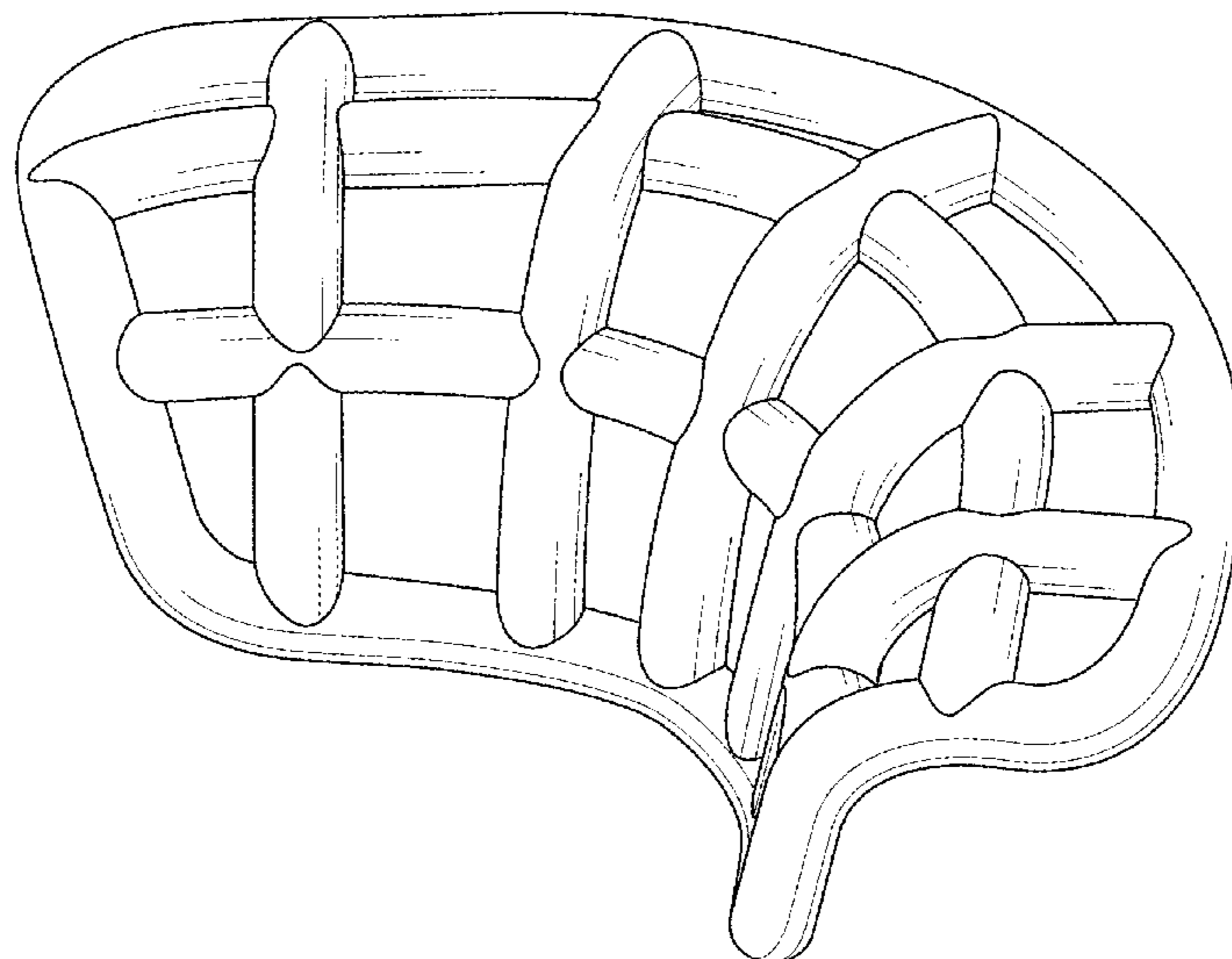
(57) **CLAIM**

The ornamental design for an accessory for a baseball mask, as shown and described.

**DESCRIPTION**

FIG. 1 is a rear perspective view of an accessory for a baseball mask showing my new design;  
FIG. 2 is front view thereof;  
FIG. 3 is a rear view thereof;  
FIG. 4 is a right side view thereof;  
FIG. 5 is a top plan view thereof;  
FIG. 6 is a bottom plan view thereof  
FIG. 7 is a rear perspective view thereof, shown in a used condition in a helmet shown in broken lines; and,  
FIG. 8 is a front perspective view thereof, shown in a used condition in a helmet shown in broken lines.  
The broken lines shown in FIGS. 7 and 8 of a helmet and human figure form no part of the claimed design.

**1 Claim, 5 Drawing Sheets**



(56)

**References Cited**

U.S. PATENT DOCUMENTS

D703,871	S *	4/2014	Attey	.....	D29/102
8,938,817	B1 *	1/2015	Baldi	.....	A42B 3/069
					2/411
9,314,063	B2 *	4/2016	Bologna	.....	A42B 3/205
D769,540	S *	10/2016	Meier	.....	D29/122
D769,541	S *	10/2016	Meier	.....	D29/122
D784,627	S *	4/2017	Williams	.....	D29/122
D784,628	S *	4/2017	Fleming	.....	D29/122
D837,455	S *	1/2019	Dickie	.....	D29/102
D854,754	S *	7/2019	Fontana	.....	D29/108
D874,069	S *	1/2020	Dunton	.....	D29/122
D925,837	S *	7/2021	Fontana	.....	D29/122
D927,084	S *	8/2021	Bologna	.....	D29/122
D929,663	S *	8/2021	Fontana	.....	D29/122
D929,664	S *	8/2021	Fontana	.....	D29/122

\* cited by examiner

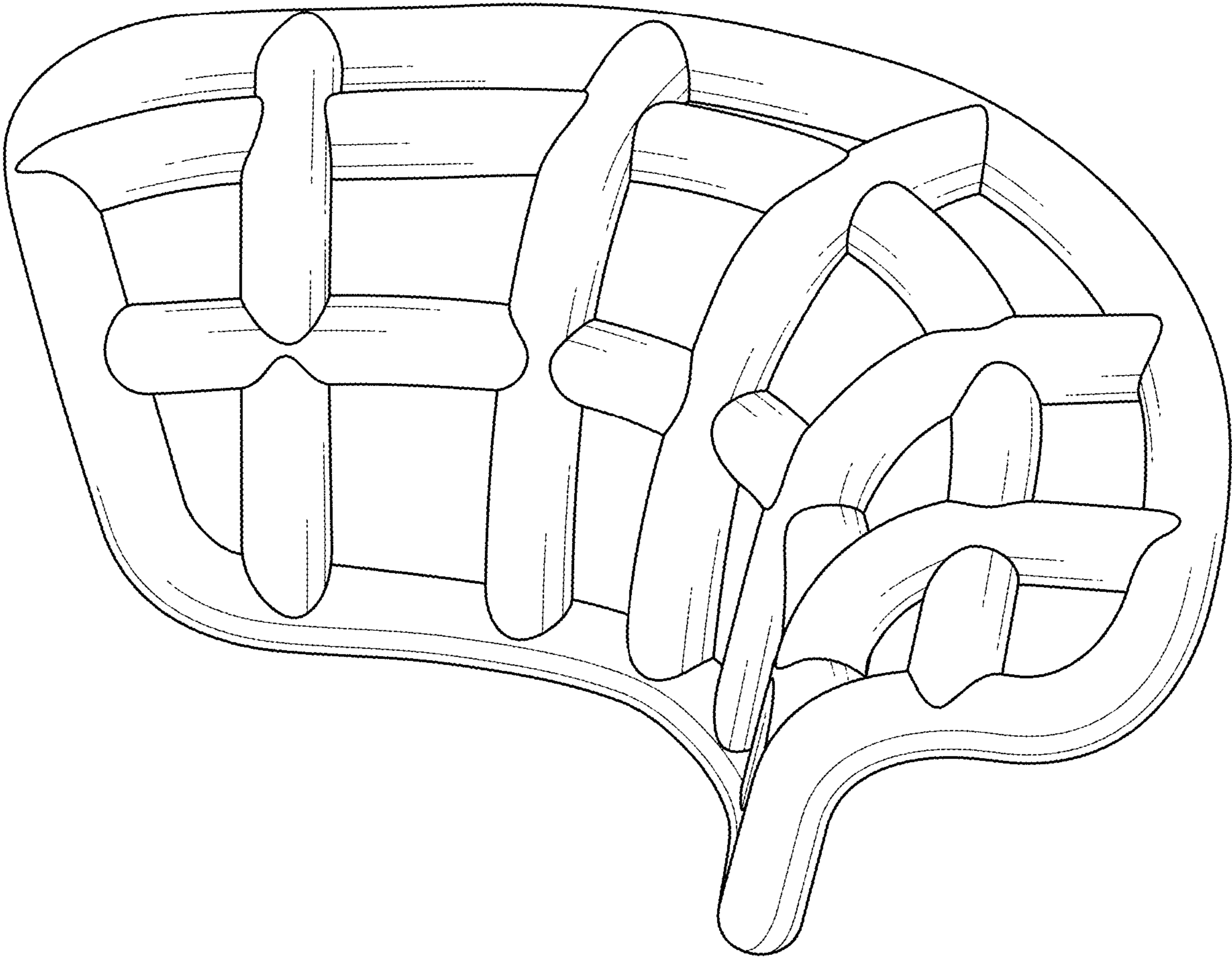


FIG. 1

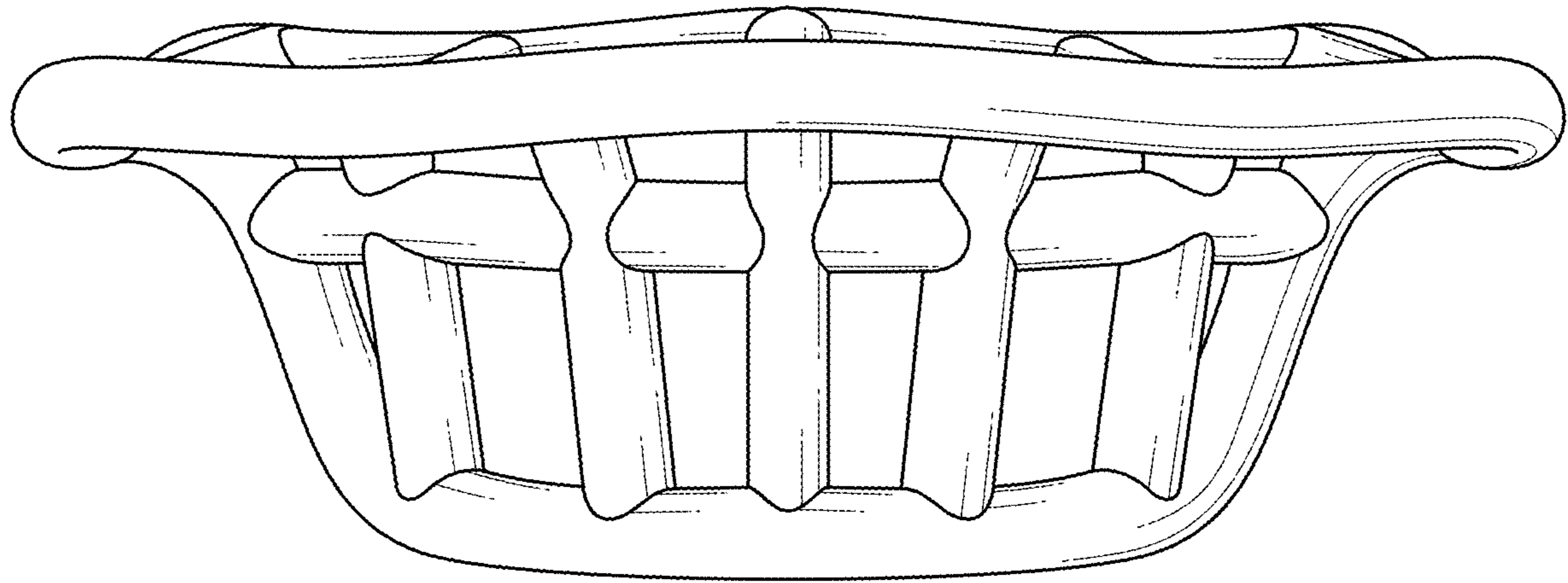


FIG. 2

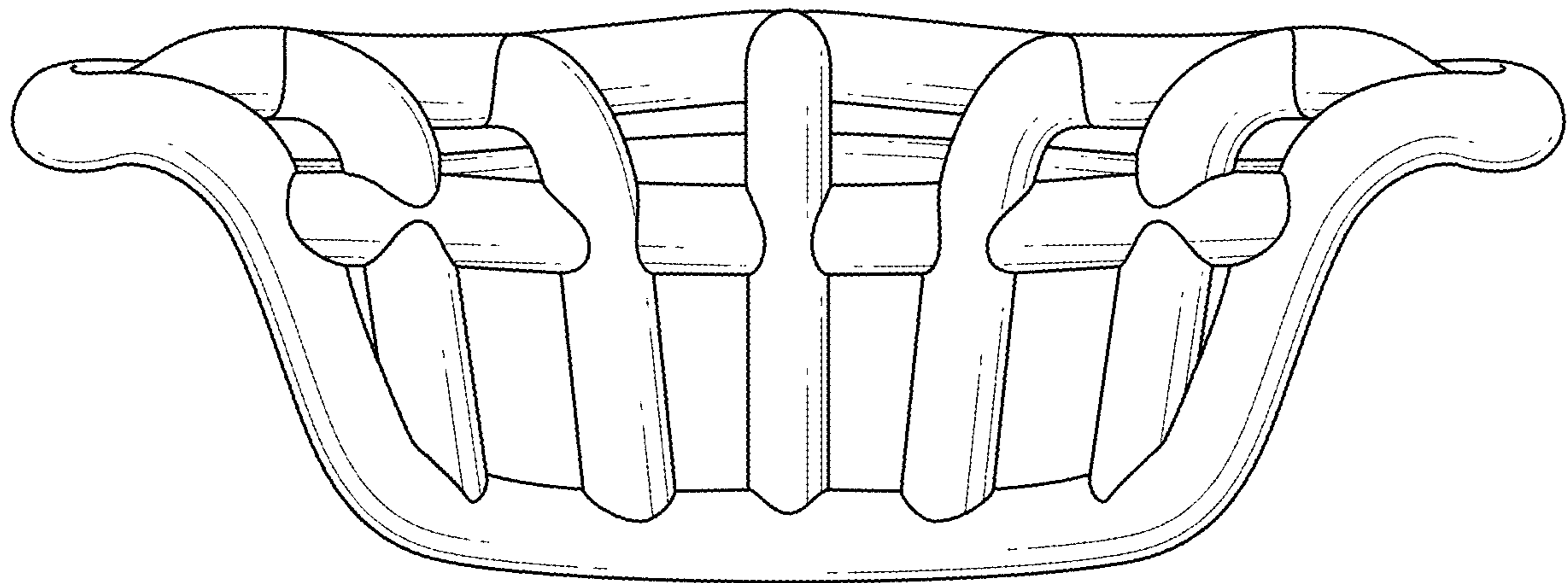


FIG. 3

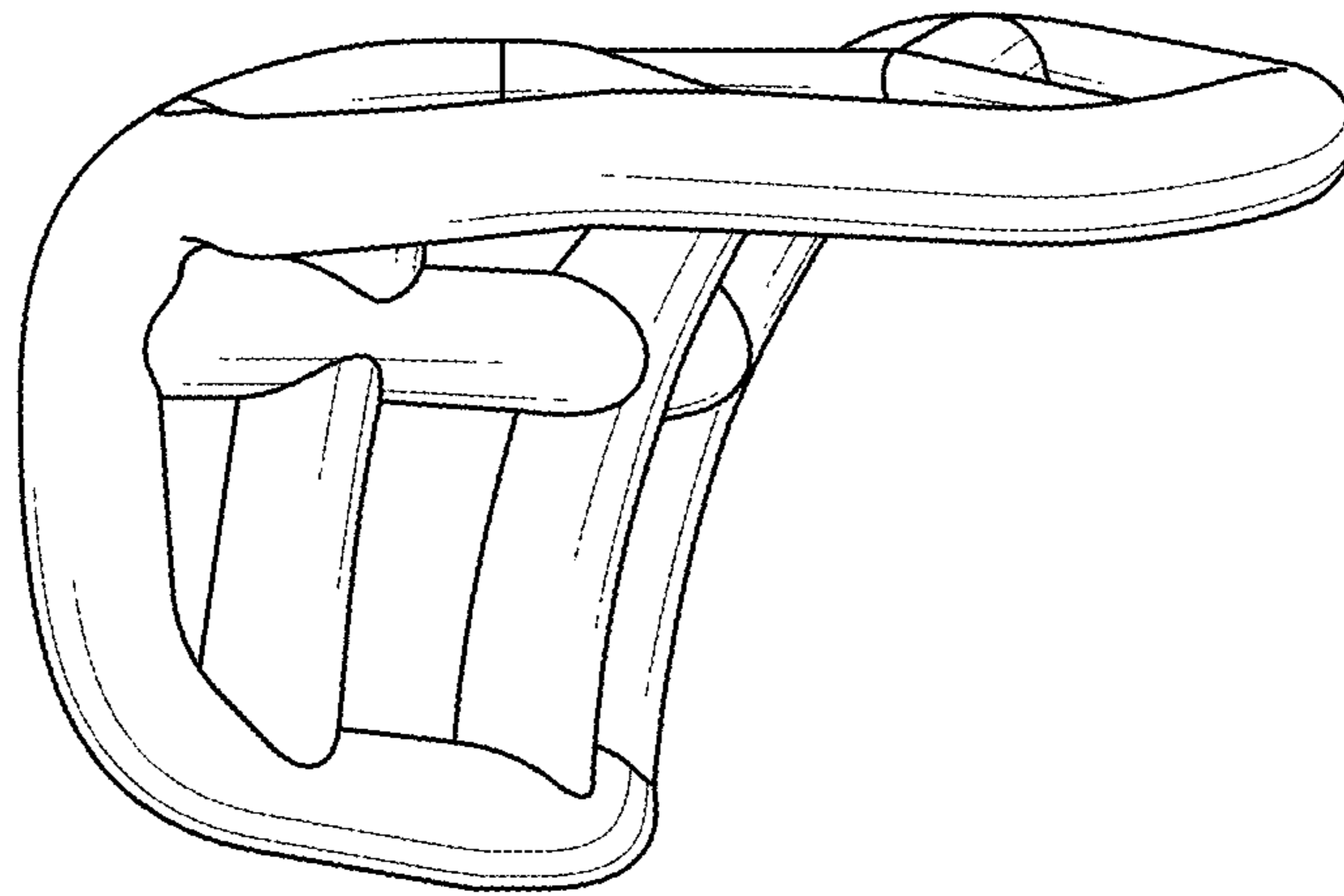


FIG. 4

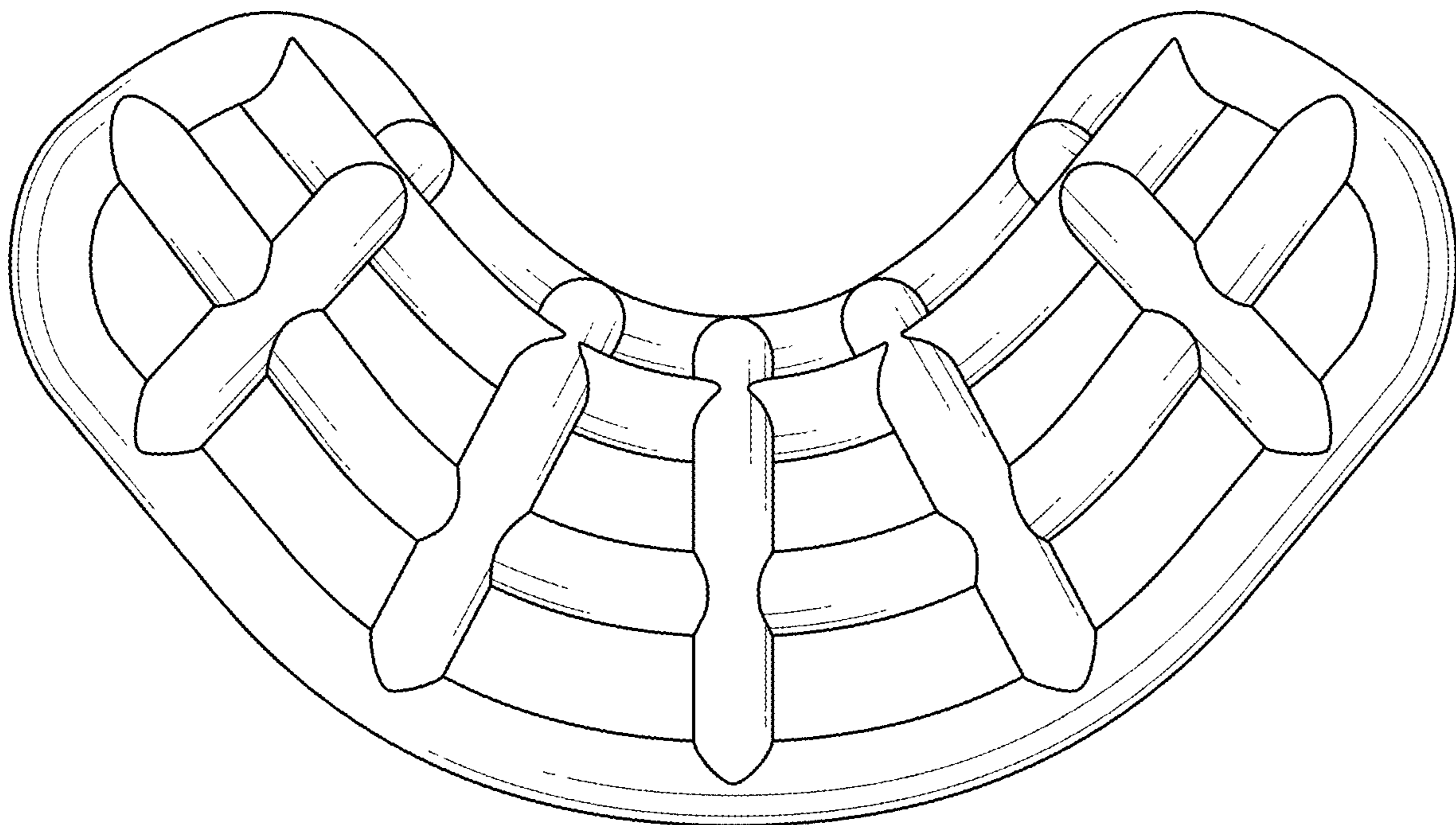


FIG. 5

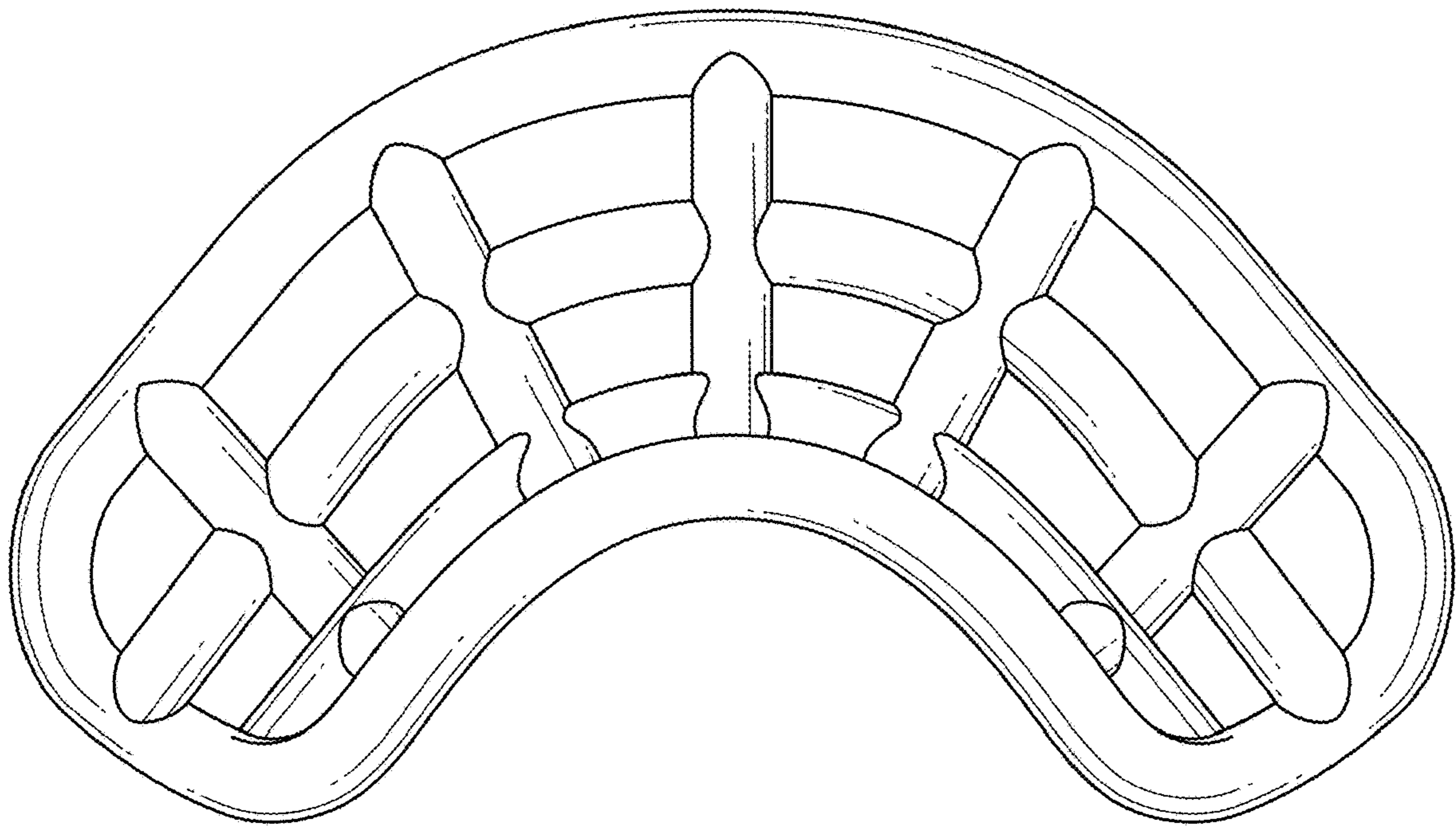


FIG. 6

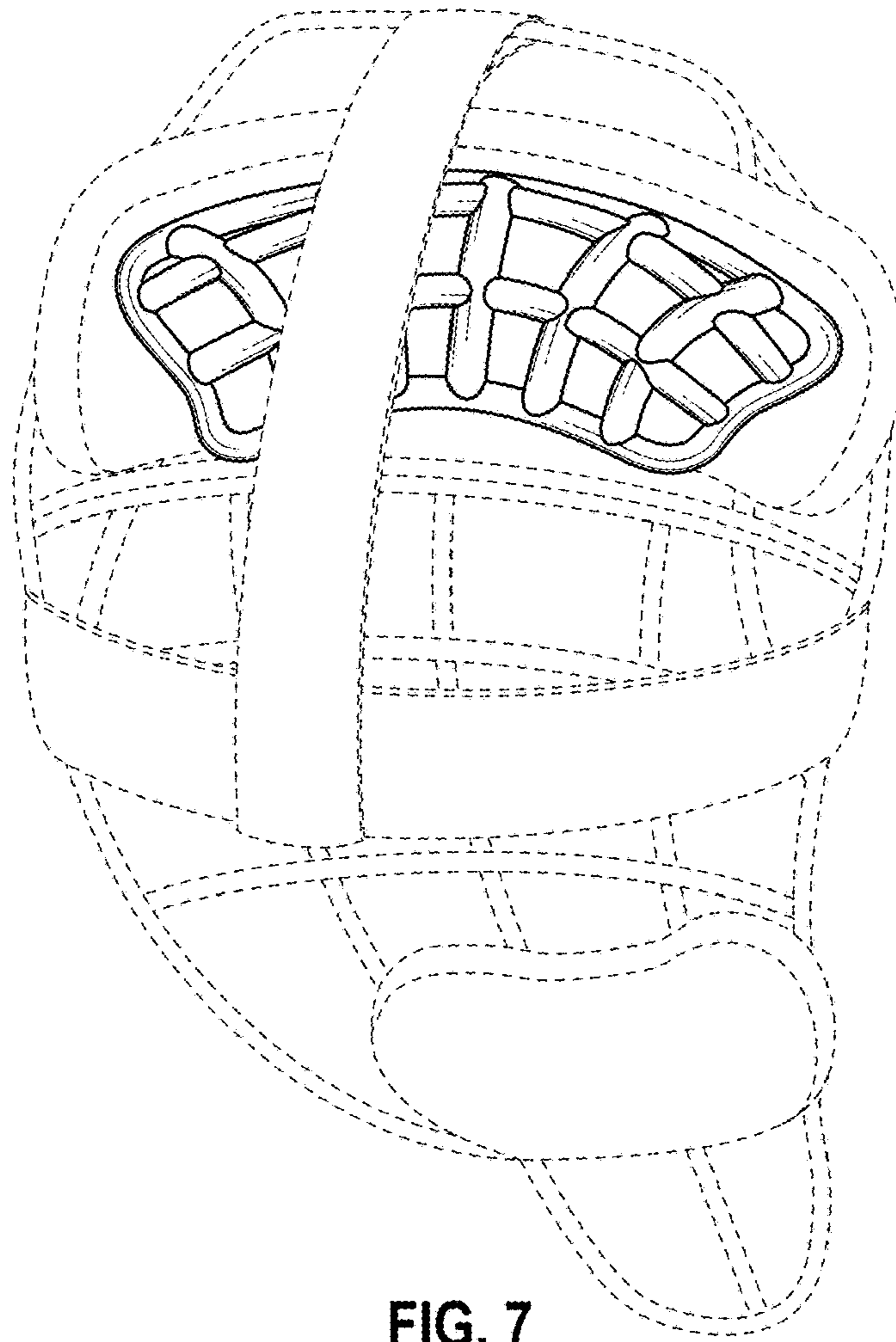


FIG. 7



FIG. 8