



US00D963247S

(12) **United States Design Patent** (10) **Patent No.:** **US D963,247 S**
Van Roosmalen et al. (45) **Date of Patent:** **** Sep. 6, 2022**

(54) **CUTTING UNIT FOR SHAVER**

(71) Applicant: **KONINKLIJKE PHILIPS N.V.**,
Eindhoven (NL)

(72) Inventors: **Jos Van Roosmalen**, Amsterdam (NL);
Frank Verbrugge, Rosmalen (NL);
Jens Andersson, Amsterdam (NL);
Roel Krooshof, Bilthoven (NL); **Simon Van Anken**, Amsterdam (NL); **Peter Gal**, Amsterdam (NL); **Lieven Adriaenssen**, Vilvoorde (BE); **Roshan Hakkim**, Amsterdam (NL); **Mingshuo Zhang**, Amstelveen (NL)

(73) Assignee: **KONINKLIJKE PHILIPS N.V.**,
Eindhoven (NL)

(**) Term: **15 Years**

(21) Appl. No.: **29/725,805**

(22) Filed: **Feb. 27, 2020**

(51) **LOC (13) Cl.** **28-03**

(52) **U.S. Cl.**
USPC **D28/54**

(58) **Field of Classification Search**
USPC D28/50–54
CPC B26B 19/14–18; B26B 19/3846; B26B 19/3873–3893; B26B 19/3853–3866
See application file for complete search history.

(56) **References Cited**

U.S. PATENT DOCUMENTS

D758,014 S * 5/2016 Smith D28/50
D758,017 S * 5/2016 Smith D28/54
D777,375 S * 1/2017 Frankel D28/50

(Continued)

Primary Examiner — Jennifer Rivard

(57) **CLAIM**

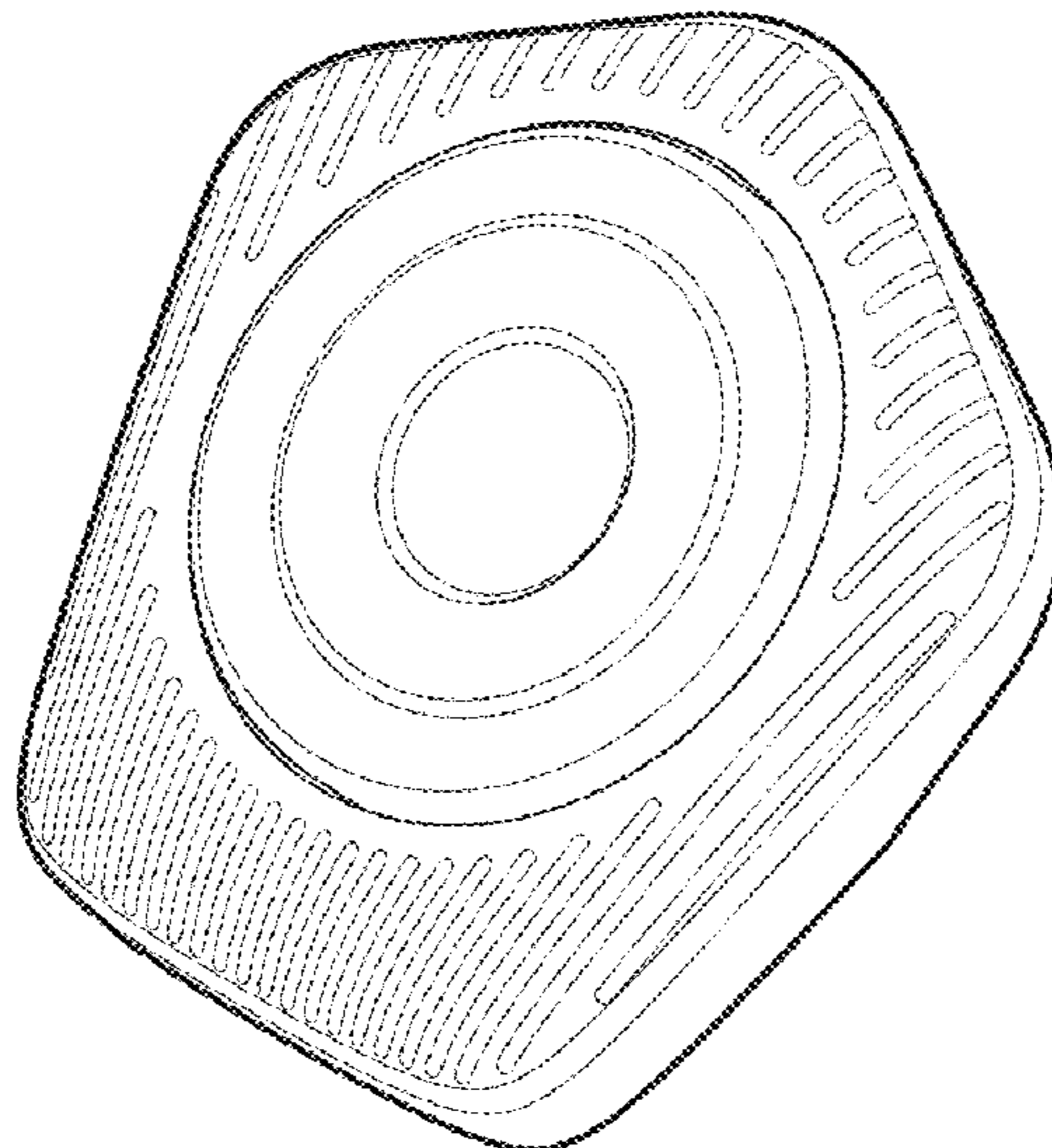
The ornamental design for a cutting unit for shaver, as shown and described.

DESCRIPTION

FIG. 1 is a perspective view of a first embodiment showing a cutting unit for shaver according to our design; FIG. 2 is a front elevational view thereof; FIG. 3 is a rear elevational view thereof; FIG. 4 is a right side elevational view thereof; FIG. 5 is a left side elevational view thereof; FIG. 6 is a top plan view thereof; FIG. 7 is a bottom plan view thereof; FIG. 8 is a perspective view of a second embodiment showing a cutting unit for shaver according to our design; FIG. 9 is a front elevational view thereof; FIG. 10 is a rear elevational view thereof; FIG. 11 is a right side elevational view thereof; FIG. 12 is a left side elevational view thereof; FIG. 13 is a top plan view thereof; FIG. 14 is a bottom plan view thereof; FIG. 15 is a perspective view of a third embodiment showing a cutting unit for shaver according to our design; FIG. 16 is a front elevational view thereof; FIG. 17 is a rear elevational view thereof; FIG. 18 is a right side elevational view thereof; FIG. 19 is a left side elevational view thereof; FIG. 20 is a front perspective view thereof; FIG. 21 is a top plan view thereof; FIG. 22 is a perspective view of a fourth embodiment showing a cutting unit for shaver according to our design; FIG. 23 is a front elevational view thereof; FIG. 24 is a rear elevational view thereof; FIG. 25 is a right side elevational view thereof; FIG. 26 is a left side elevational view thereof; FIG. 27 is a top plan view thereof; and, FIG. 28 is a bottom plan view thereof.

The portions of the cutting unit for shaver shown in broken lines are included for the purpose of illustrating unclaimed portions of the cutting unit for shaver and form no part of the claimed design.

1 Claim, 12 Drawing Sheets



(56)

References Cited

U.S. PATENT DOCUMENTS

D777,376 S * 1/2017 Frankel D28/50
9,919,437 B2 * 3/2018 Veltman B26B 19/388
D848,072 S * 5/2019 Prat-Pfister D28/50
10,357,890 B2 * 7/2019 Yan B26B 19/3866
10,471,612 B2 * 11/2019 Shimizu B26B 19/146
D880,064 S * 3/2020 Andersson D28/50
D884,972 S * 5/2020 Andersson D28/50
D889,042 S * 6/2020 Andersson D28/50
10,926,425 B2 * 2/2021 Zak B26B 19/3846
D912,902 S * 3/2021 Andersson D28/50
D914,290 S * 3/2021 Kulshreshtha D28/50
10,946,536 B2 * 3/2021 Winters B26B 19/146
D932,697 S * 10/2021 Van Roosmalen D28/50
D932,698 S * 10/2021 Van Roosmalen D28/50
D932,699 S * 10/2021 Van Roosmalen D28/50
D932,700 S * 10/2021 Van Roosmalen D28/50
D933,894 S * 10/2021 Van Roosmalen D28/50
D934,502 S * 10/2021 Van Roosmalen D28/50
2021/0069920 A1 * 3/2021 Kulshreshtha B26B 19/386

* cited by examiner

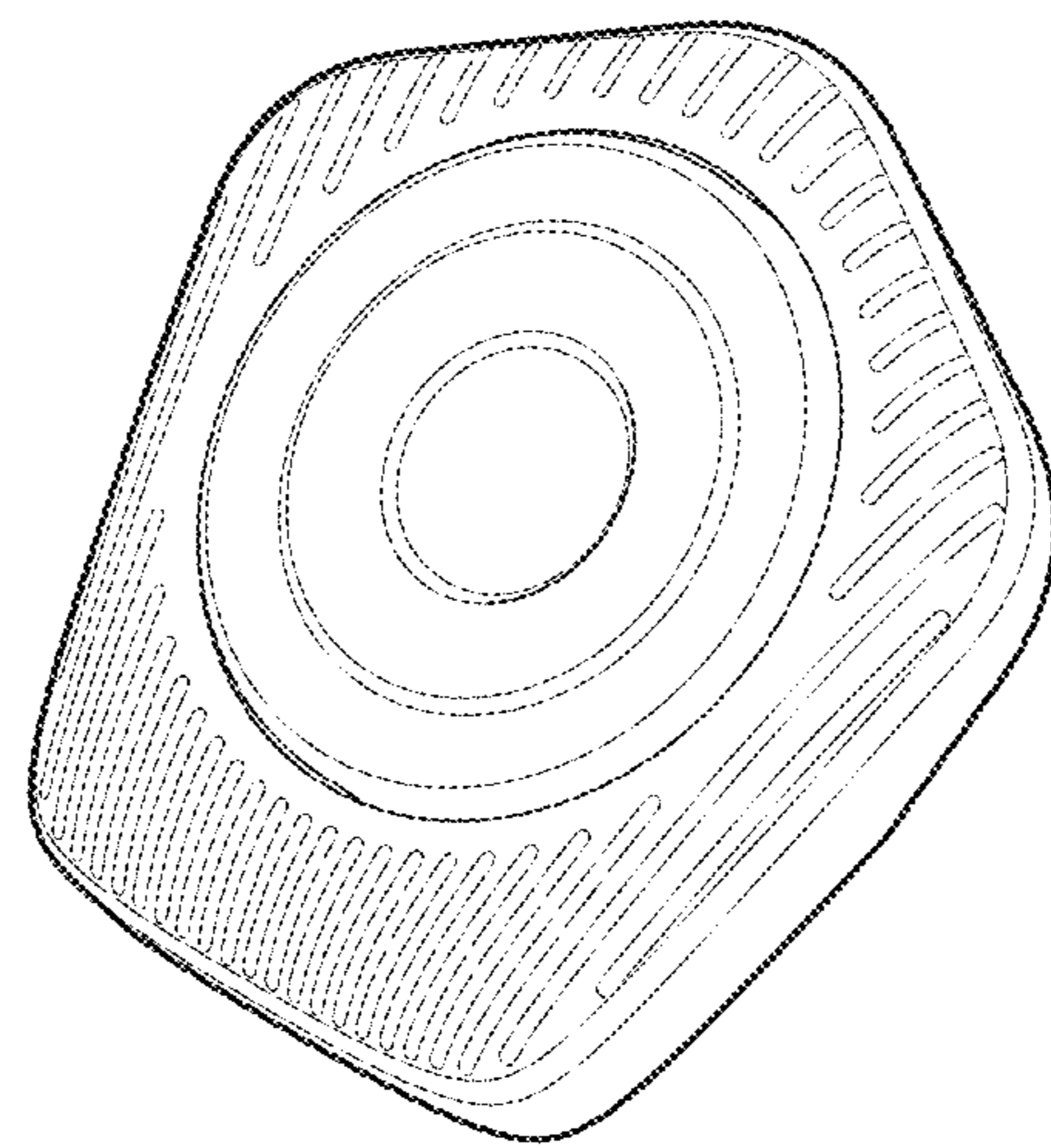


FIG. 1

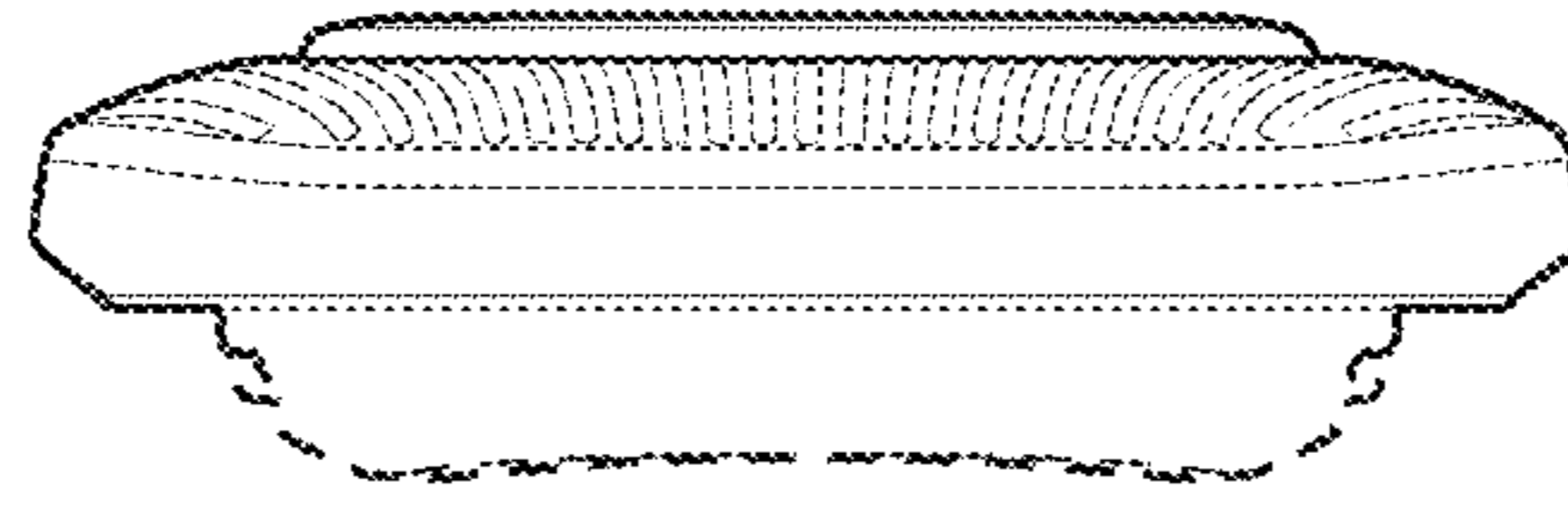


FIG. 2

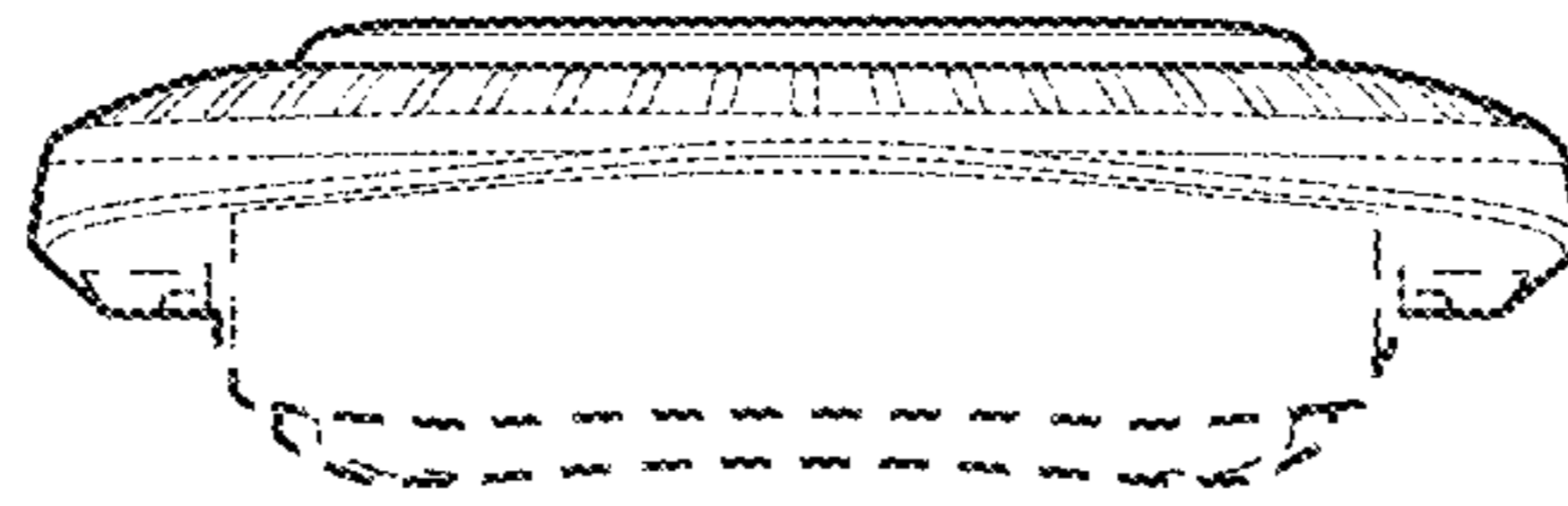


FIG. 3



FIG. 4

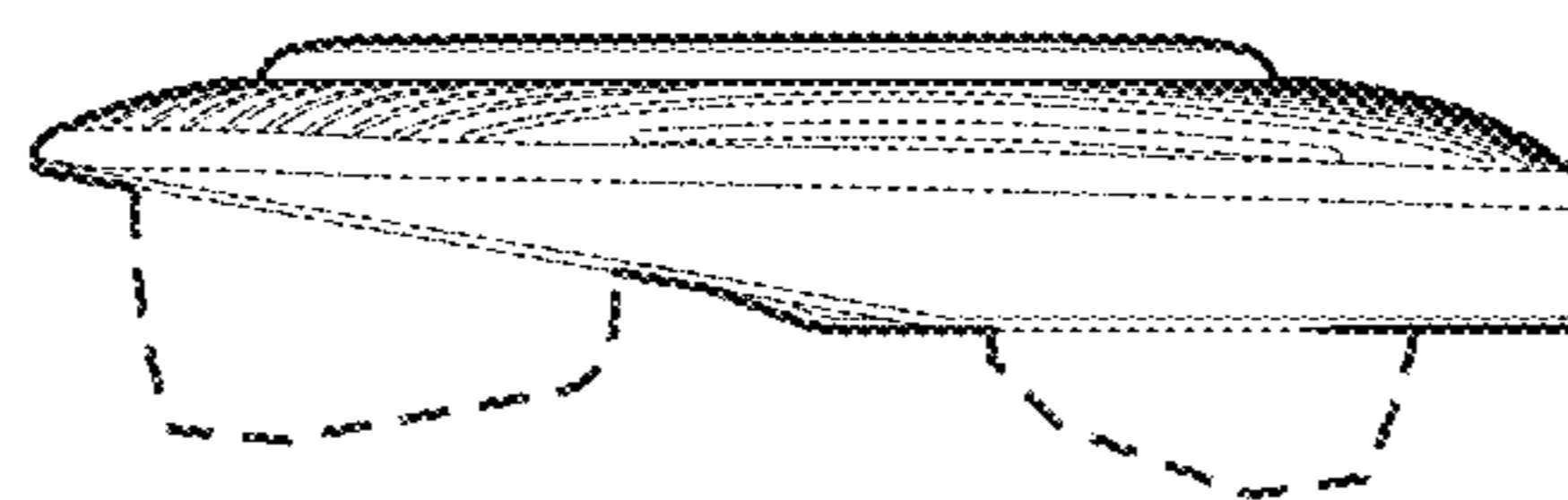


FIG. 5

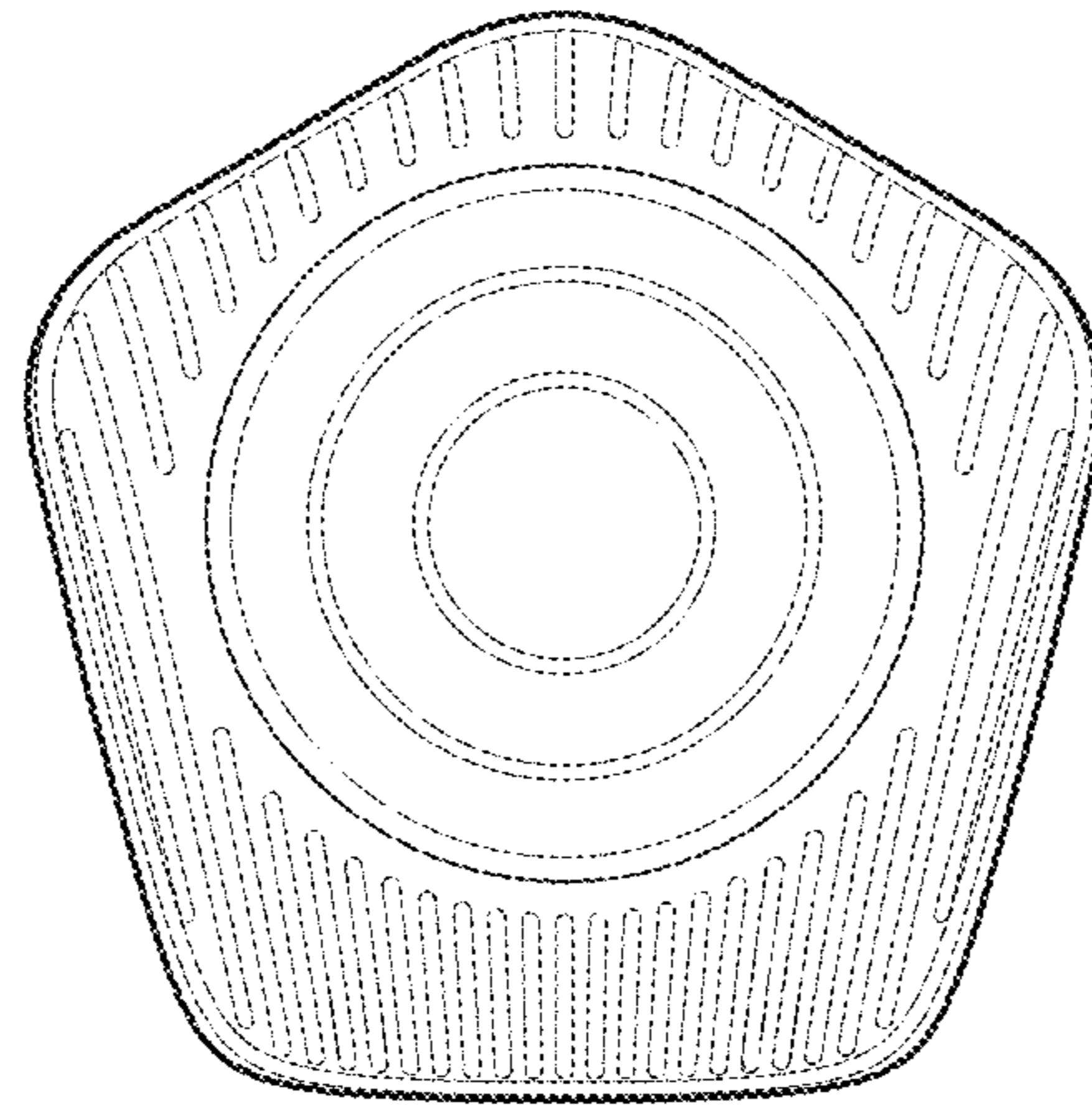


FIG. 6

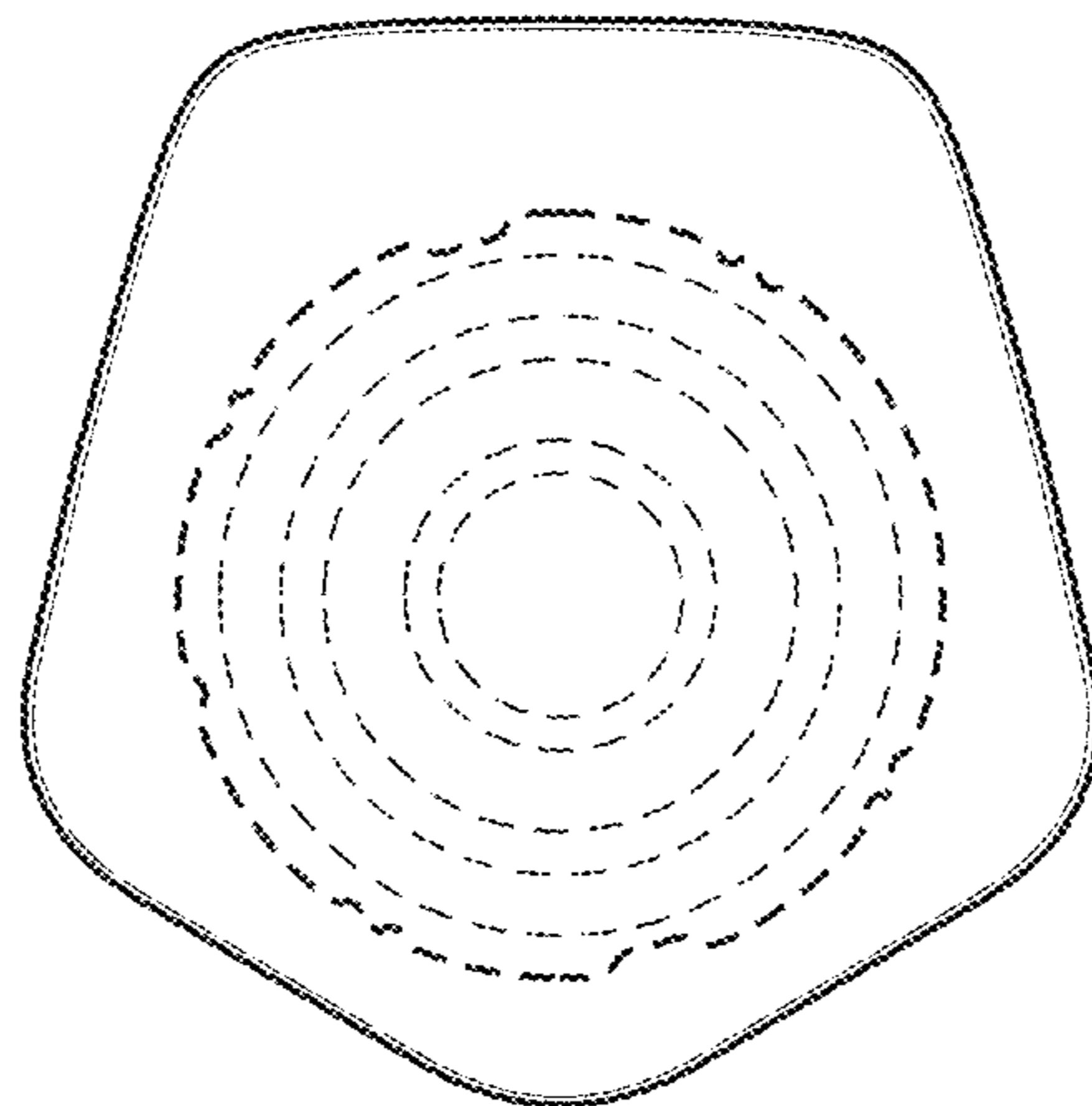


FIG. 7

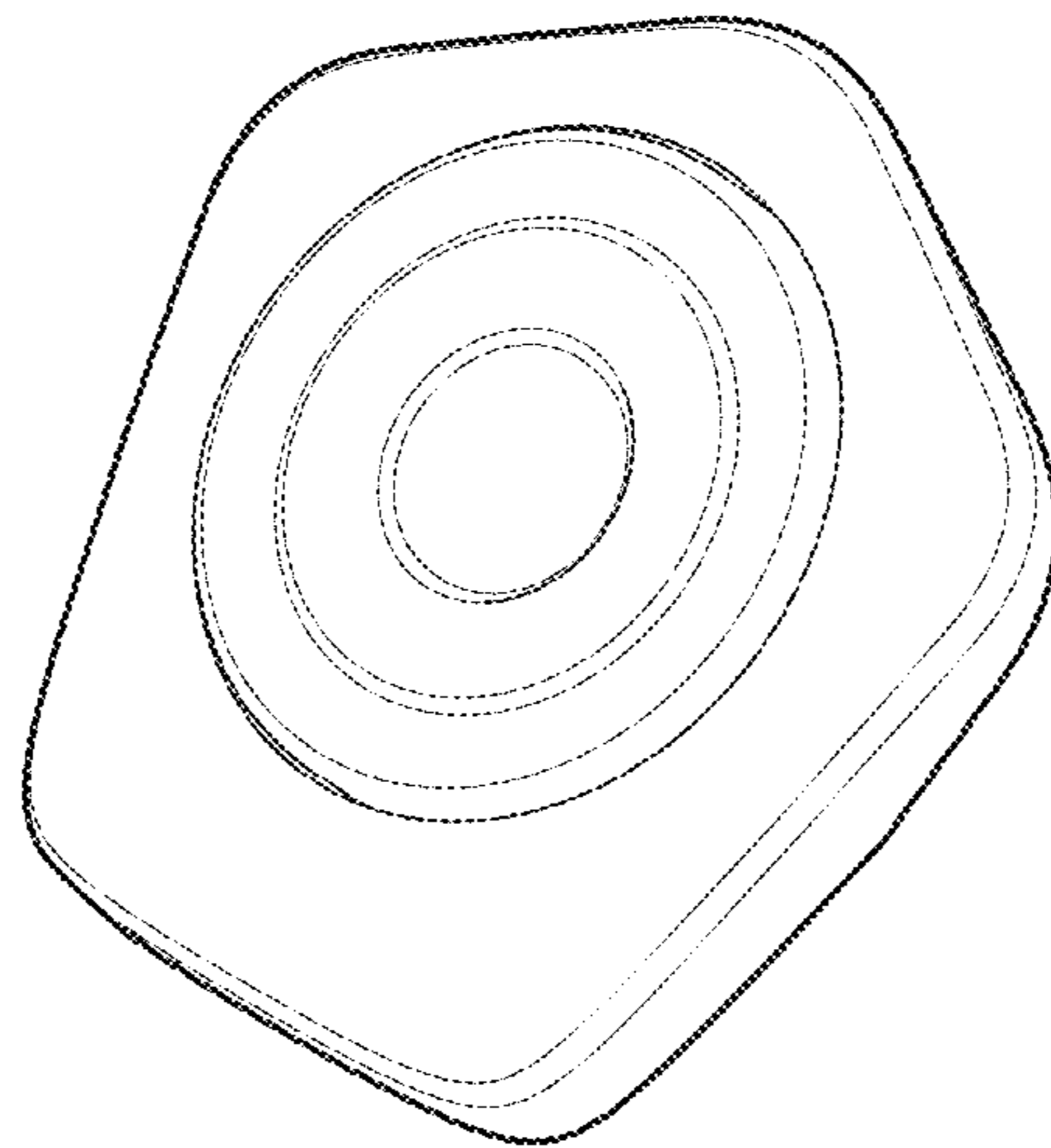


FIG. 8

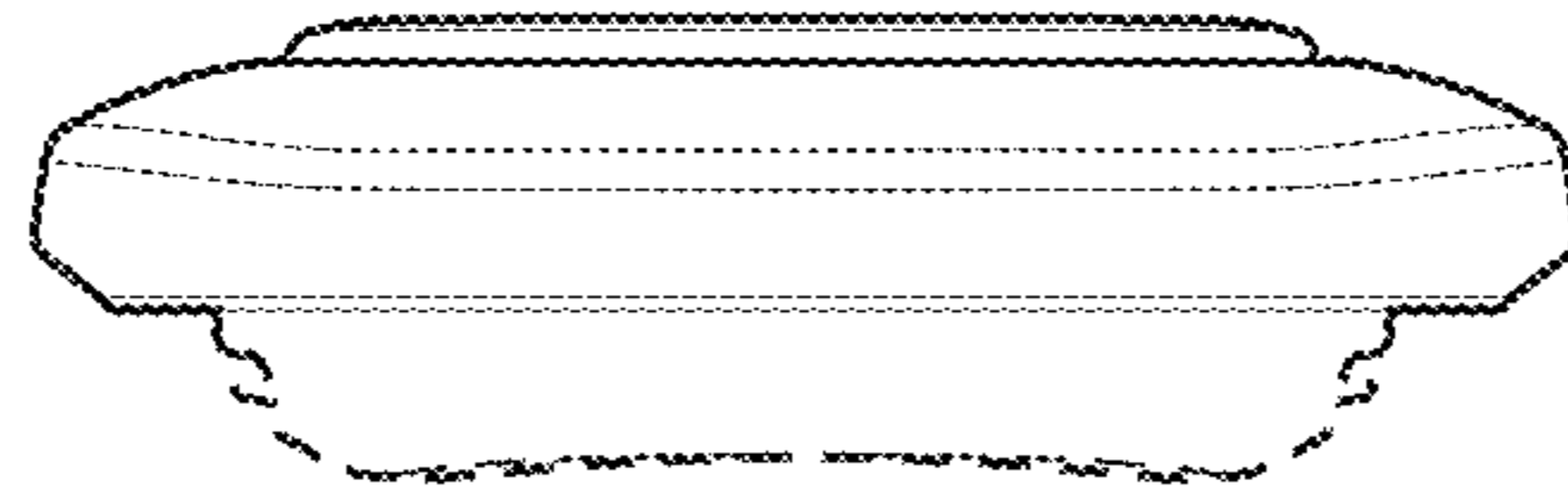


FIG. 9

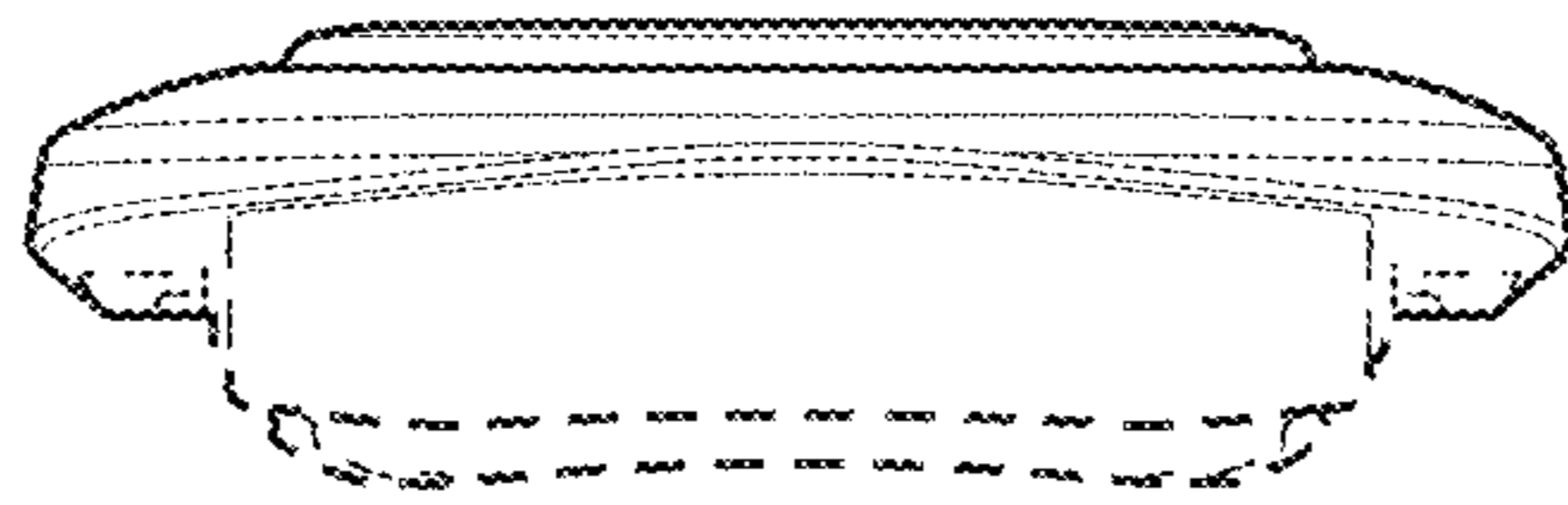


FIG. 10

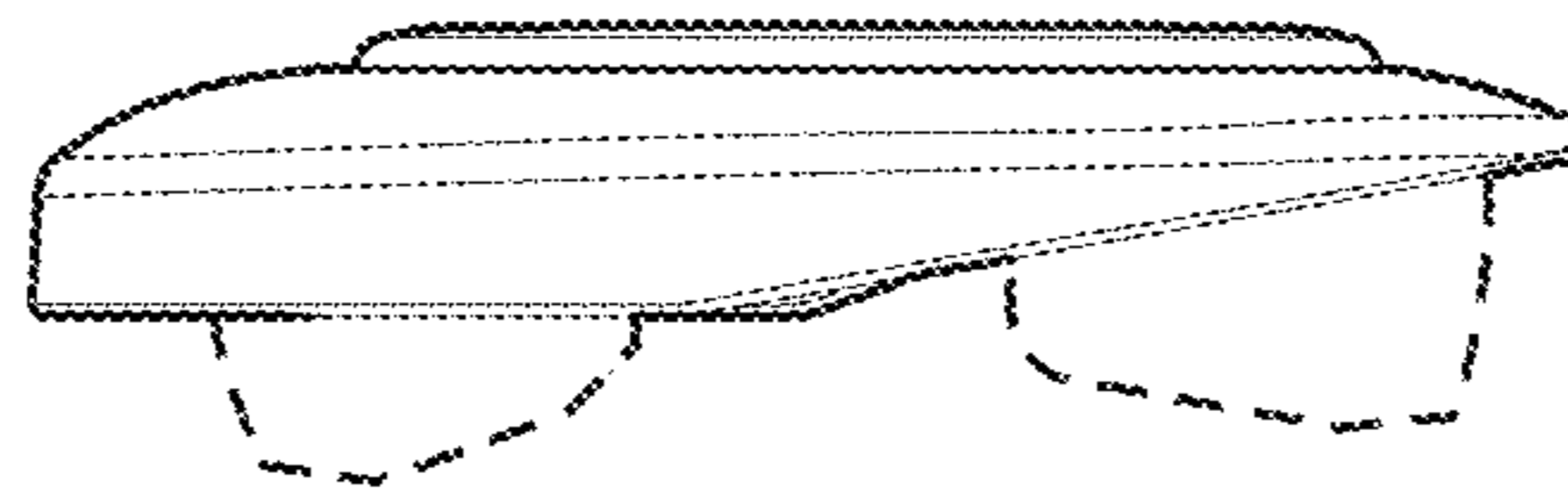


FIG. 11

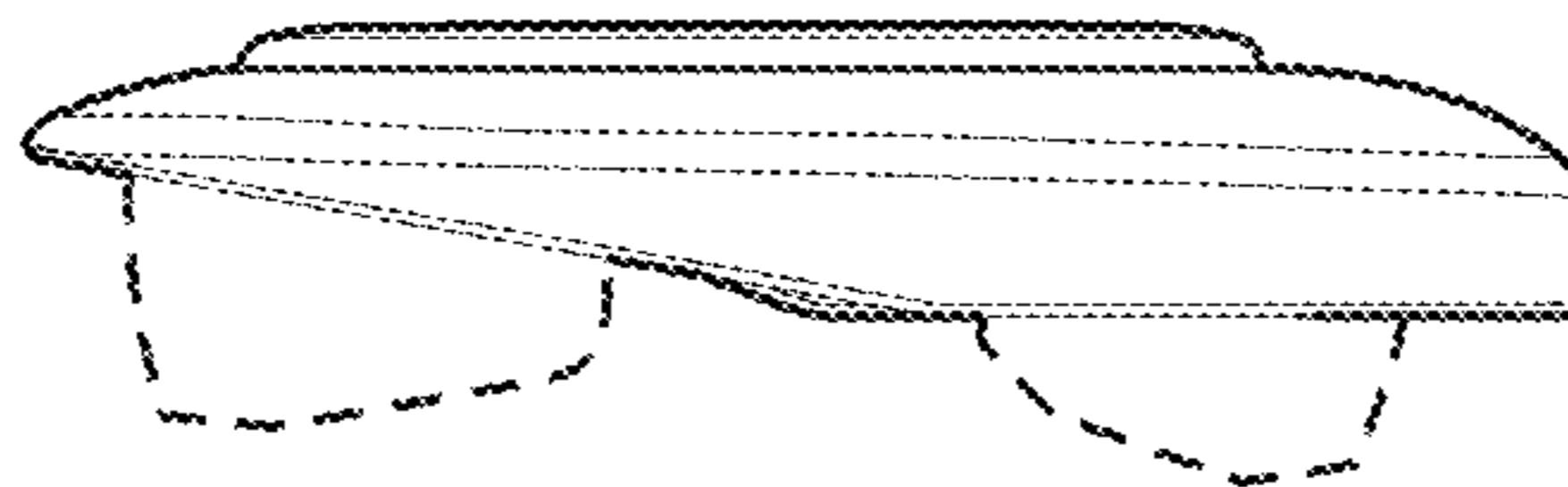


FIG. 12

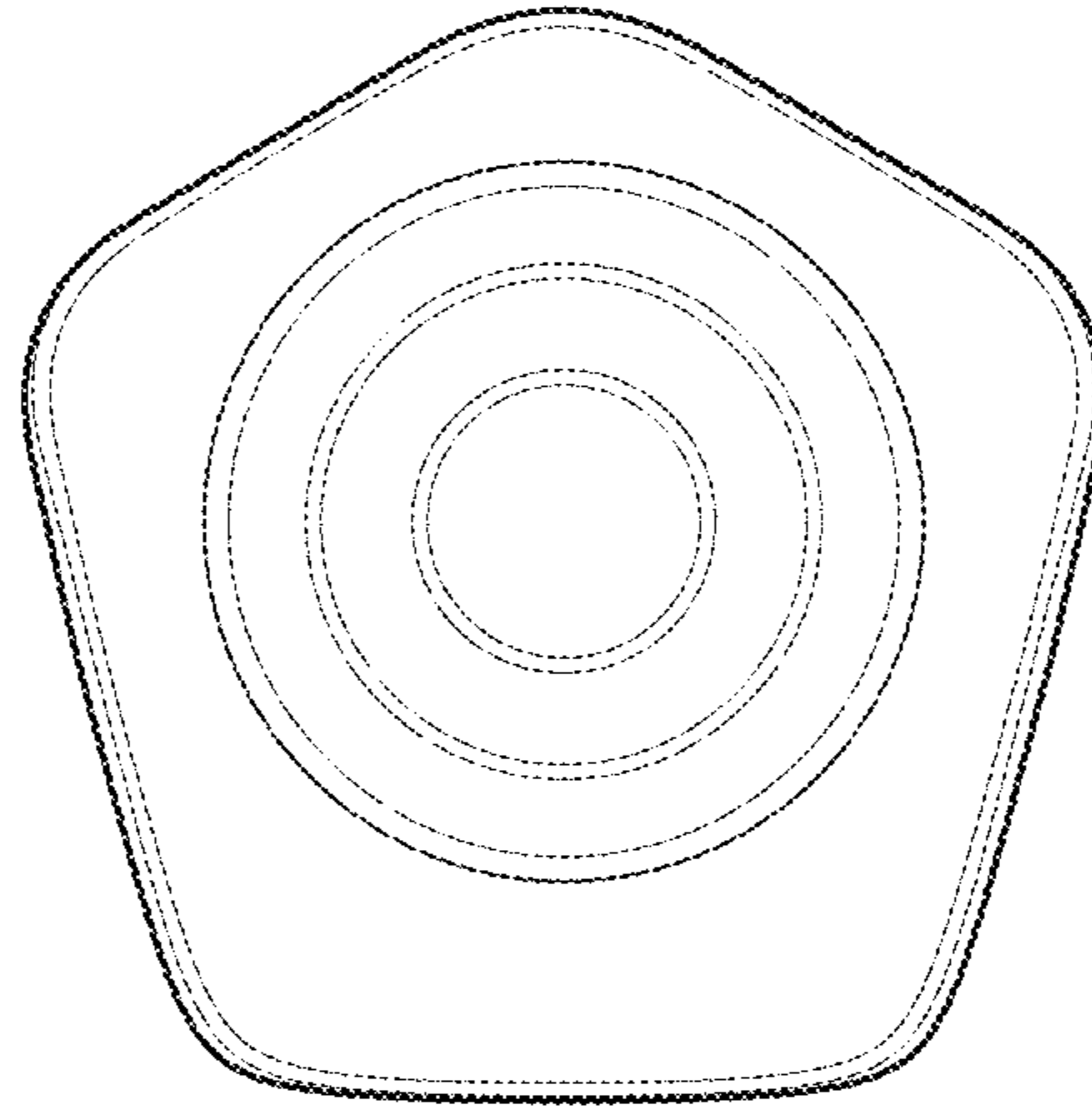


FIG. 13

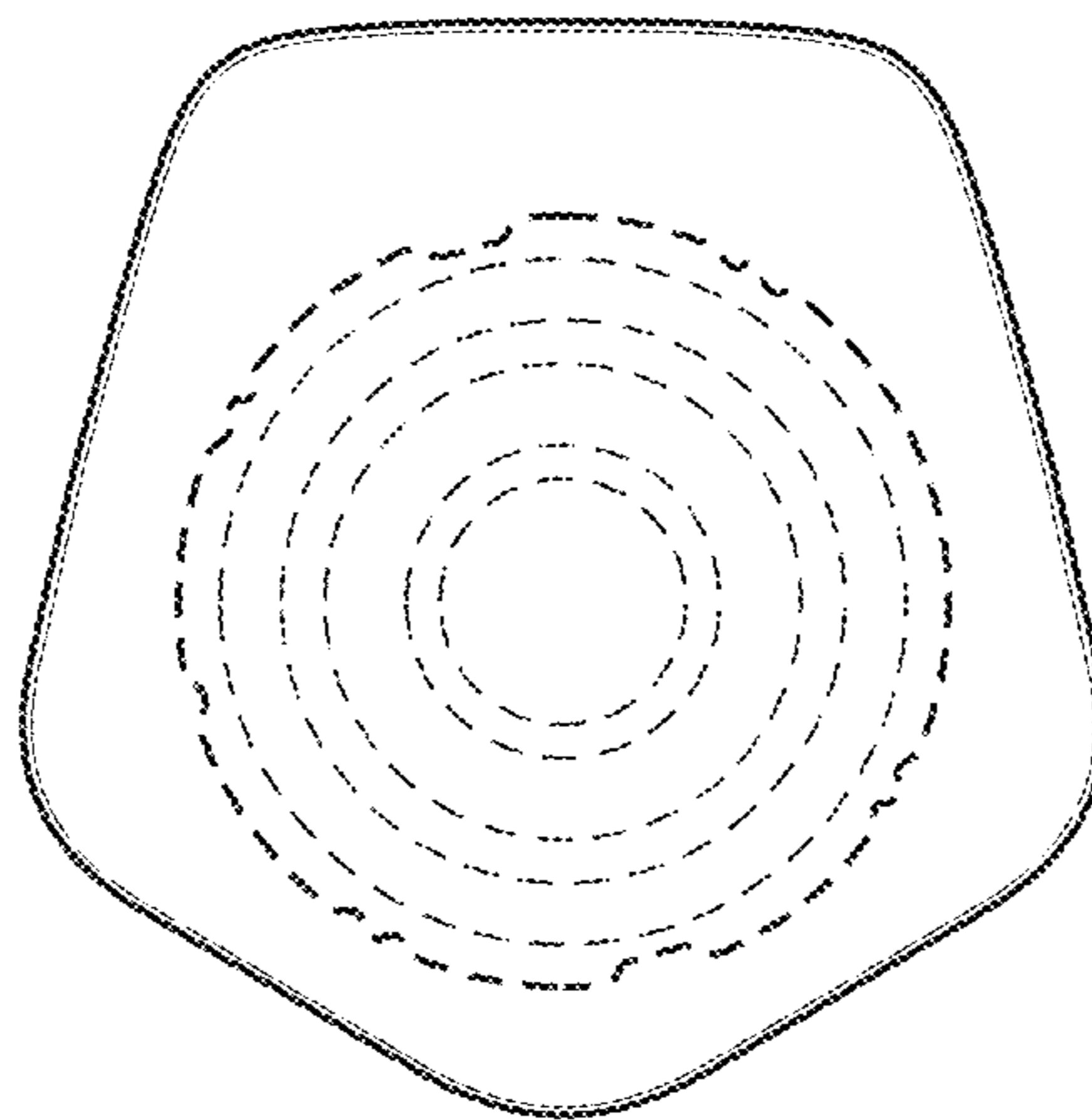


FIG. 14

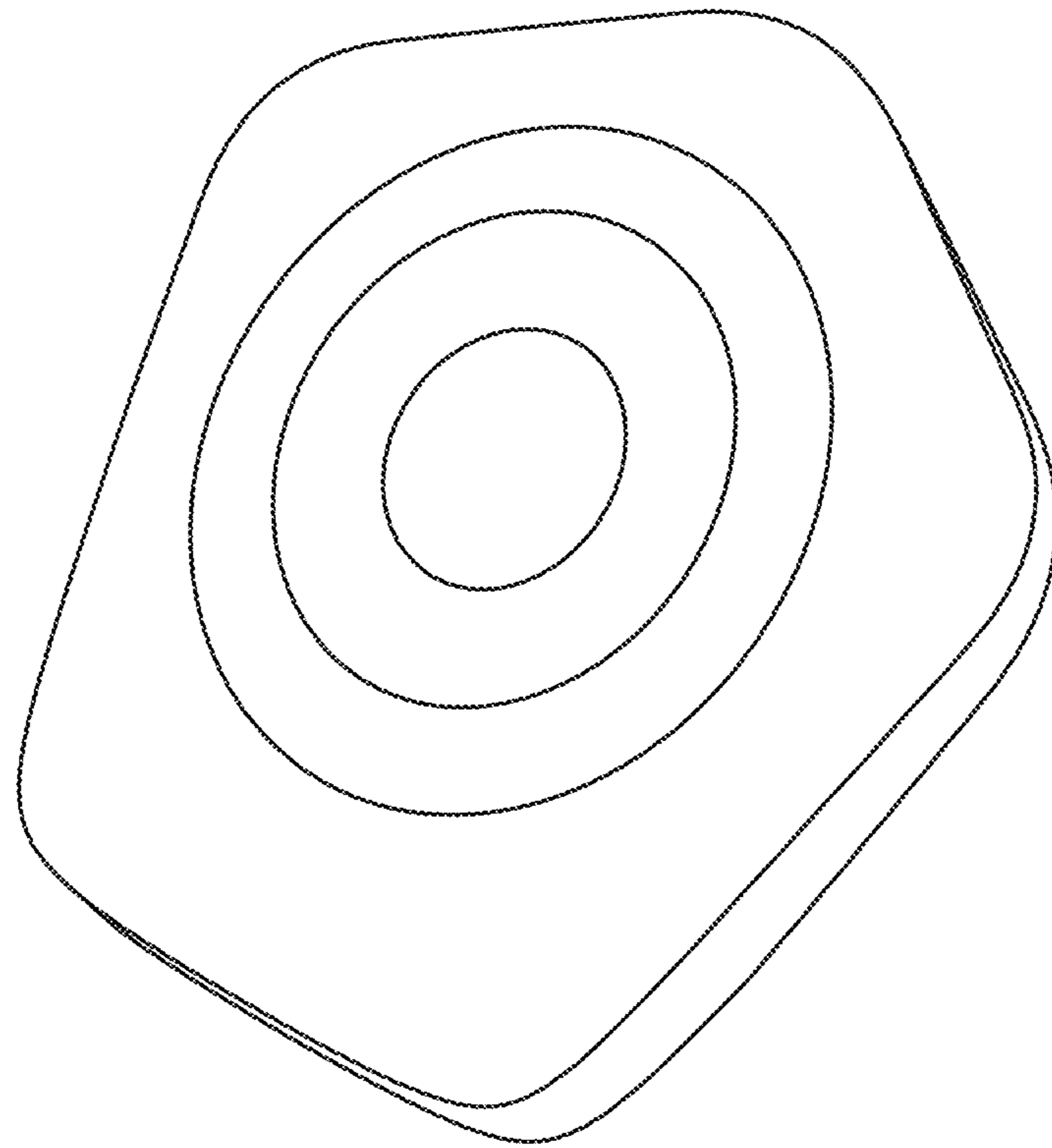


FIG. 15

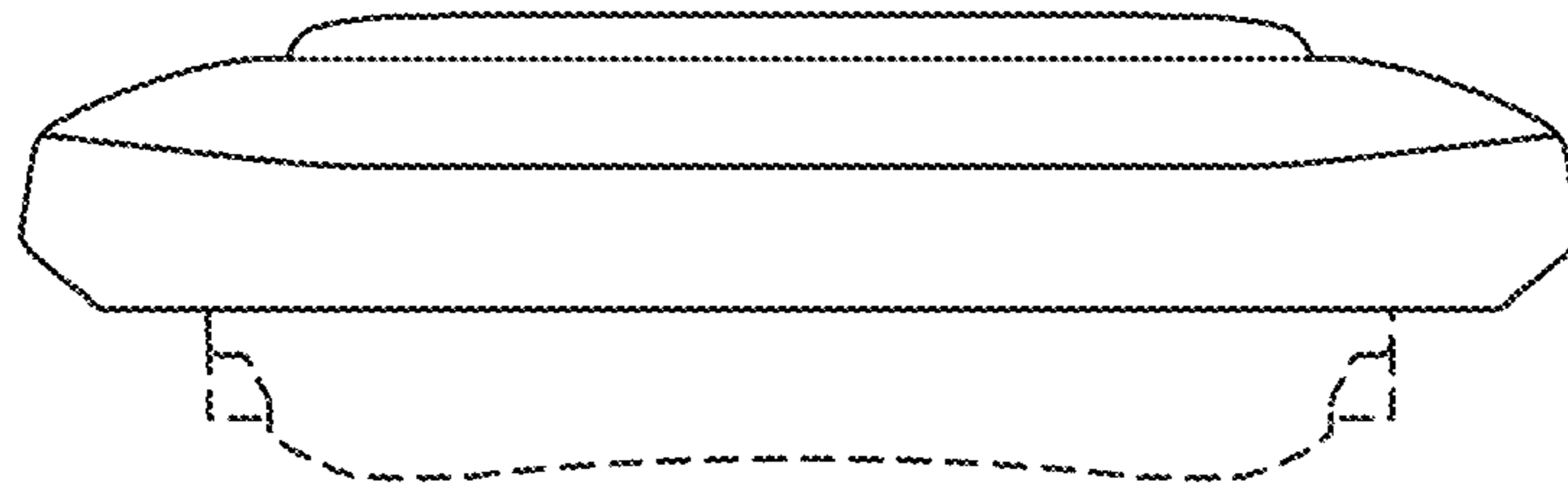


FIG. 16

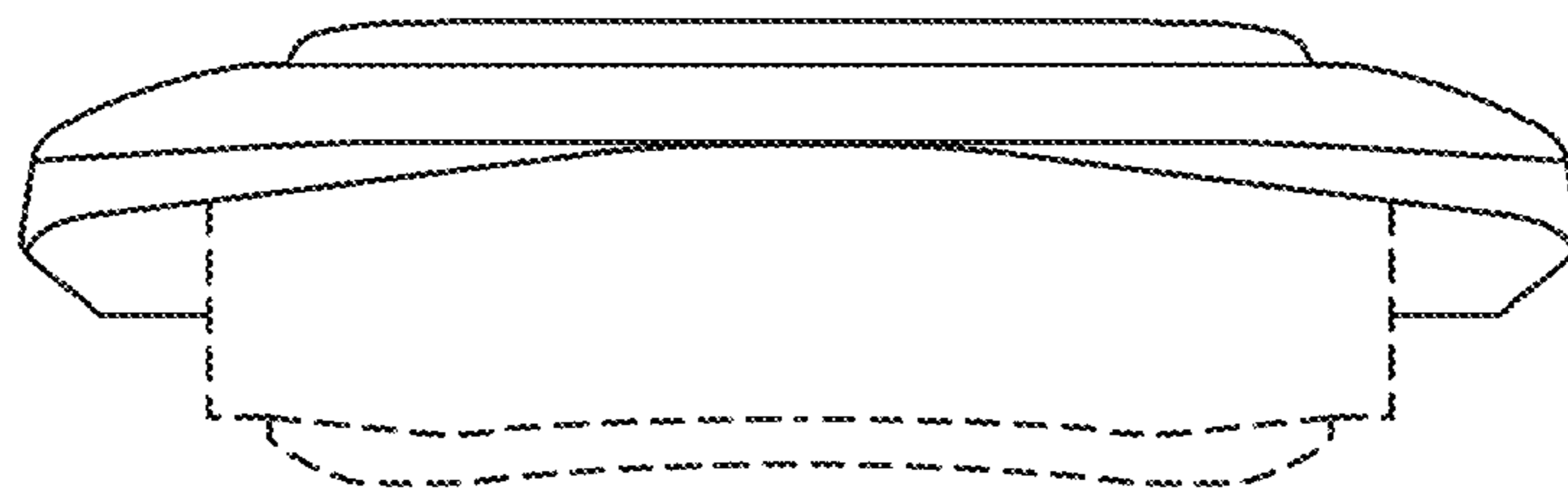


FIG. 17

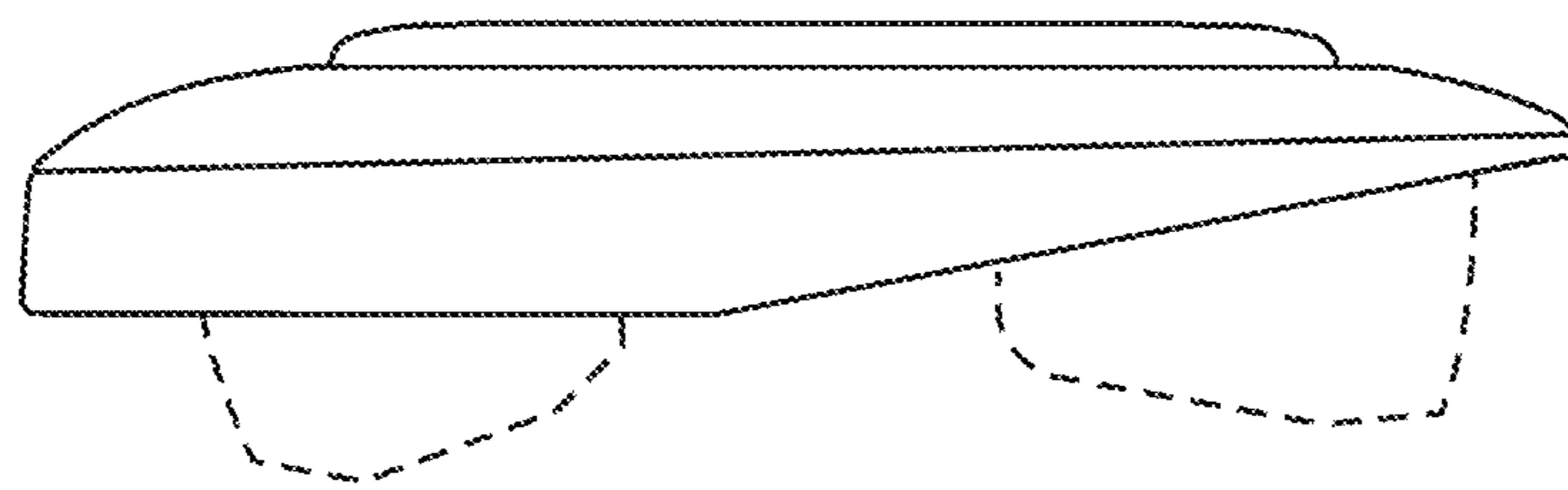


FIG. 18

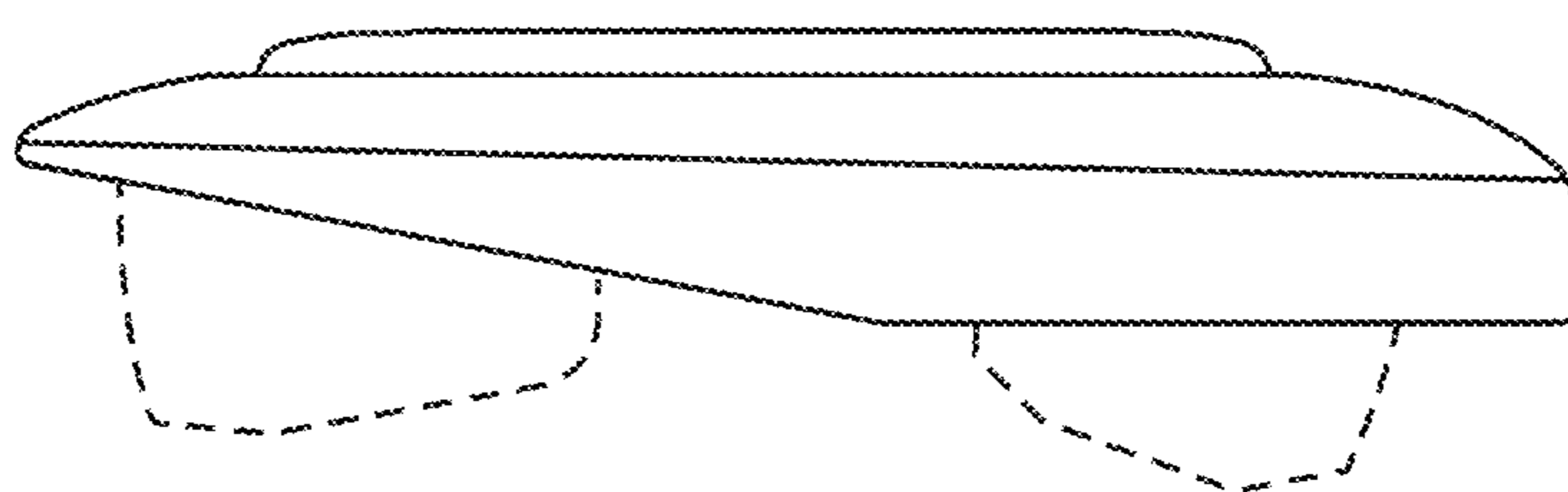


FIG. 19

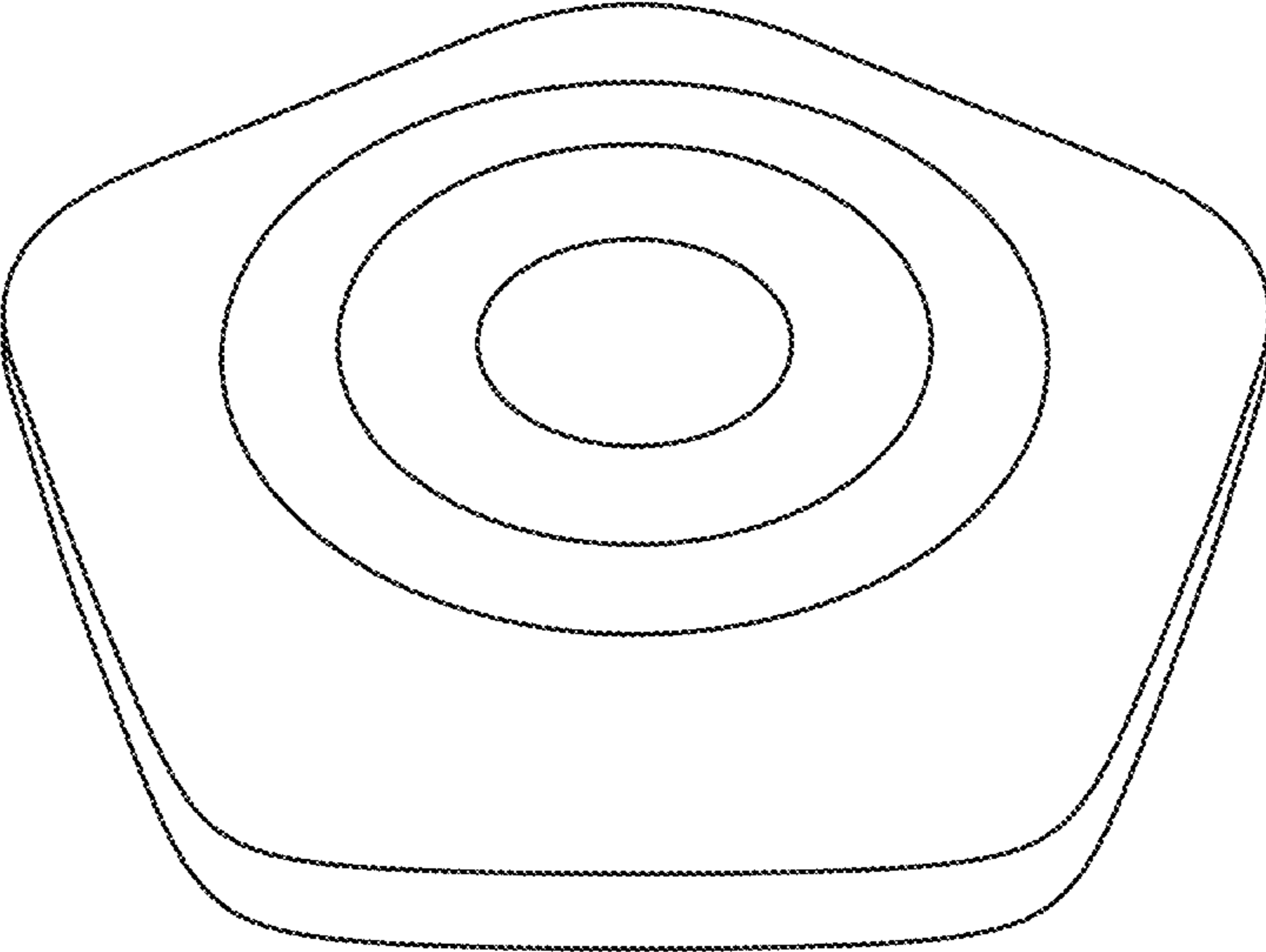


FIG. 20

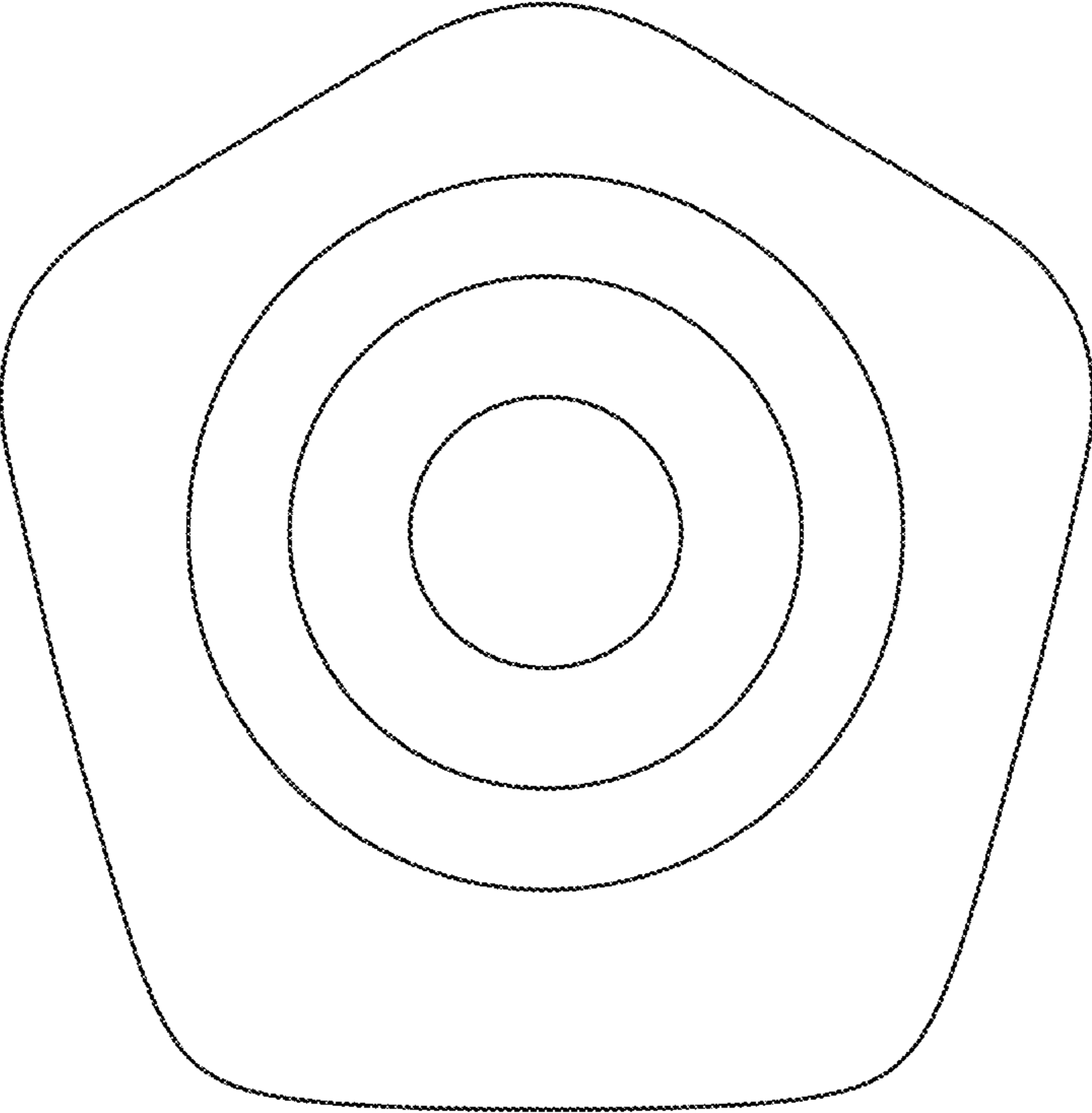


FIG. 21

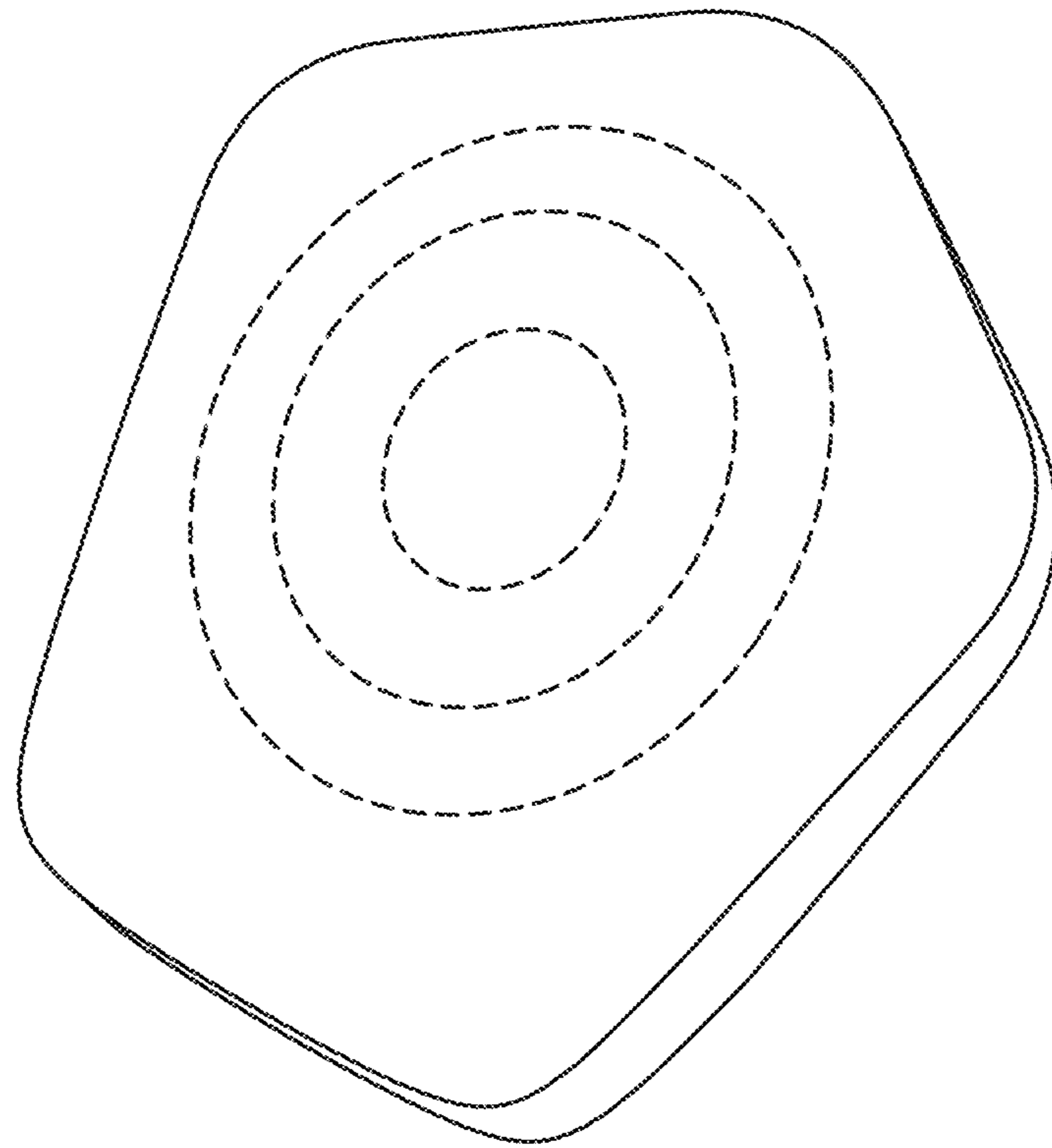


FIG. 22

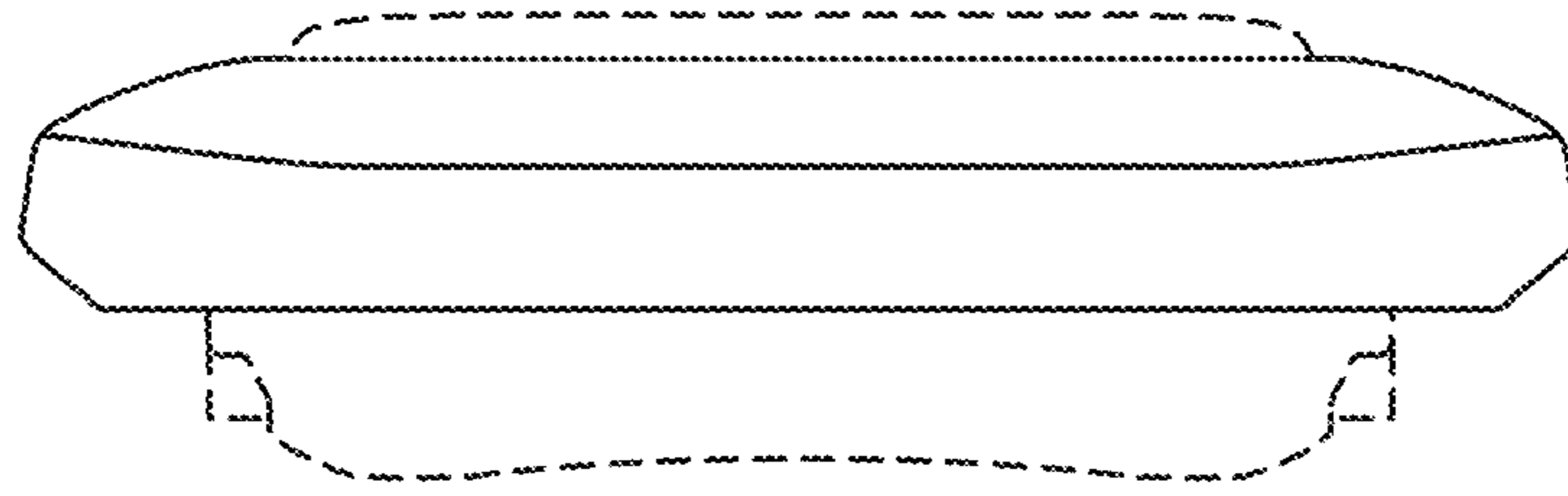


FIG. 23

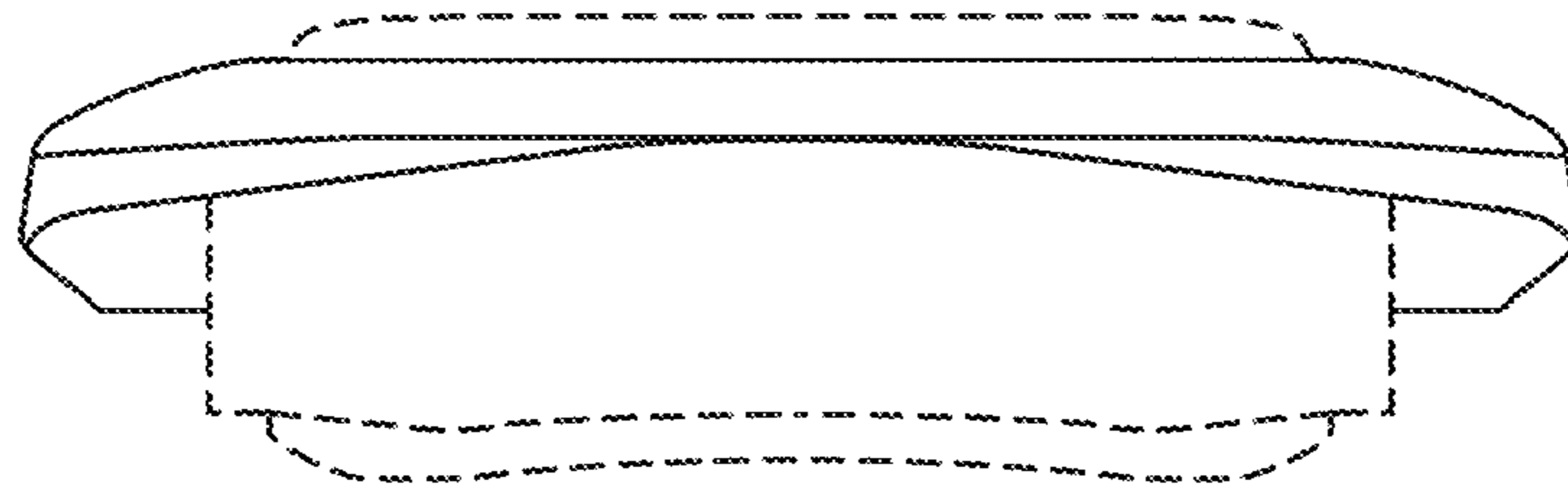


FIG. 24

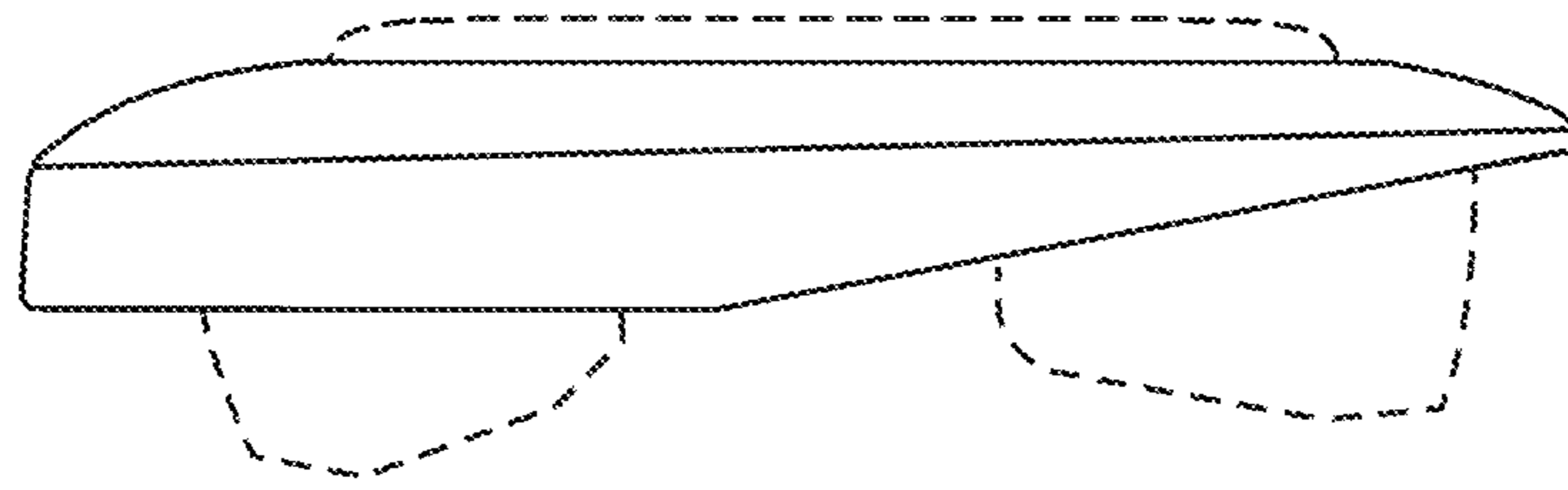


FIG. 25

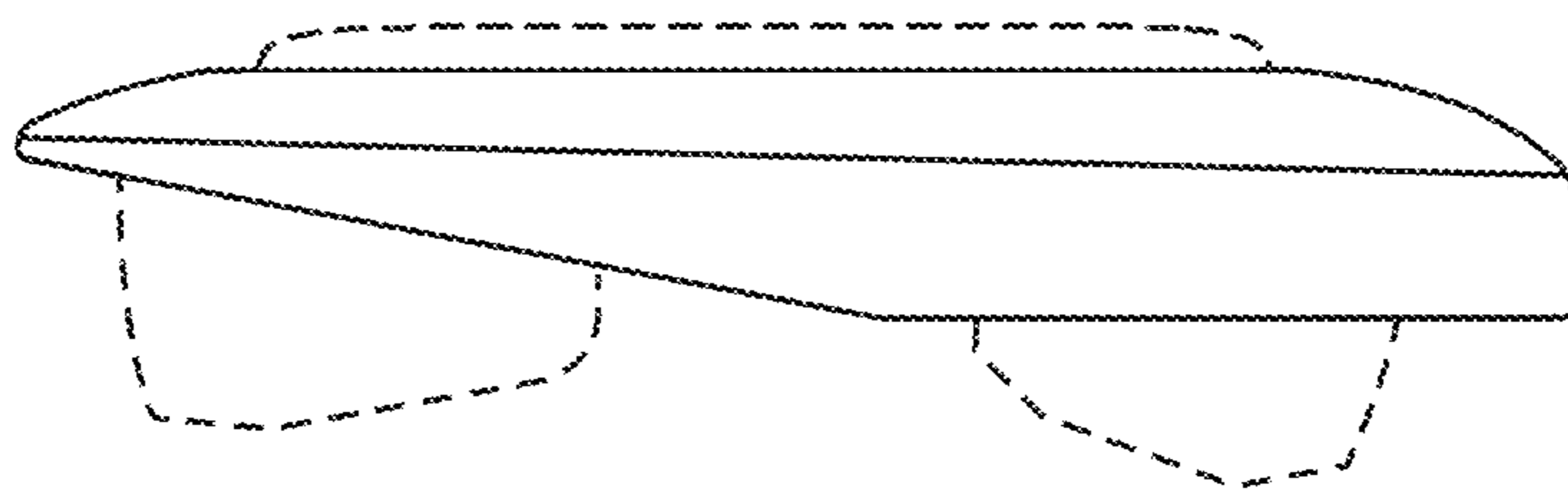


FIG. 26

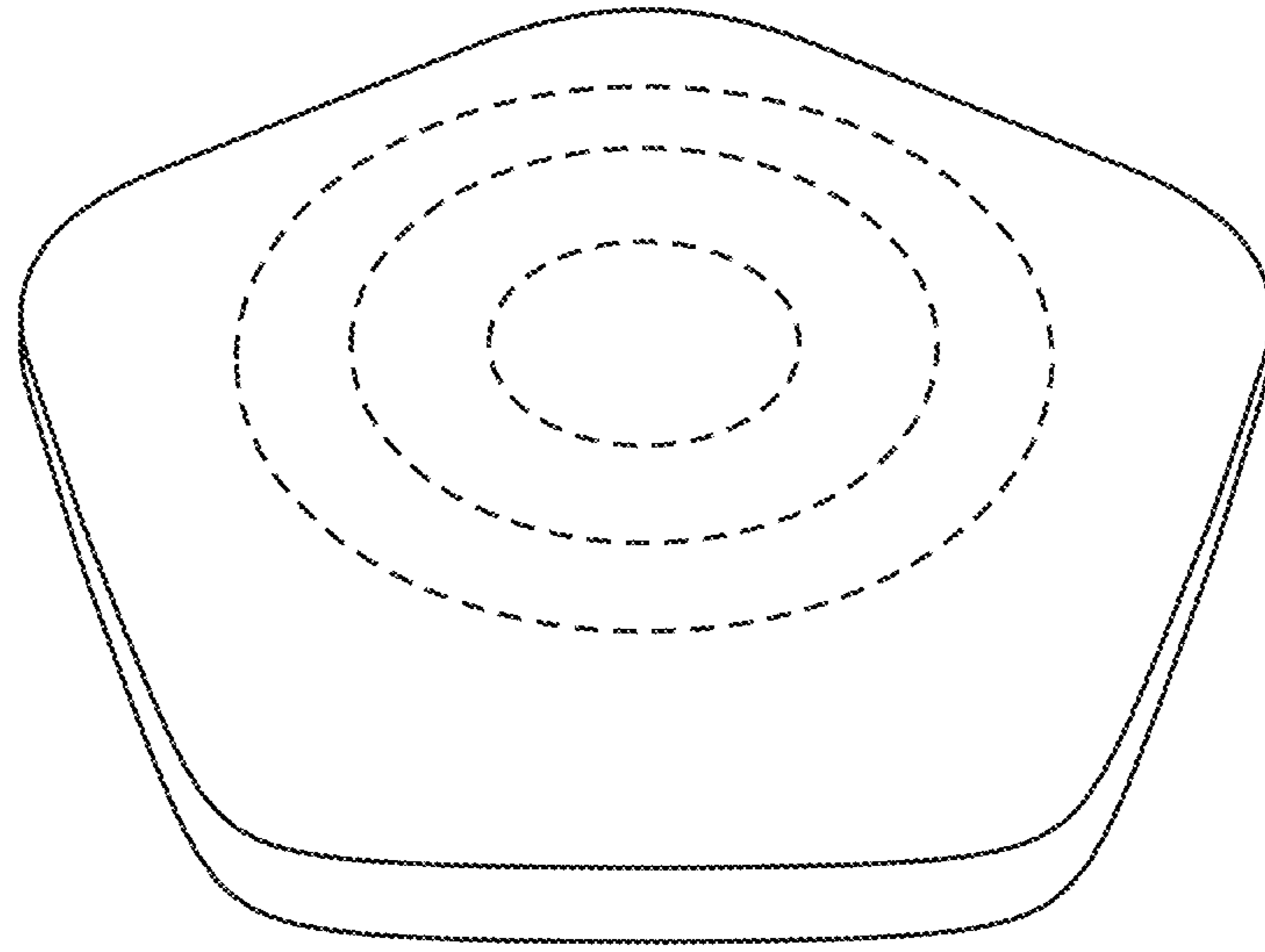


FIG. 27

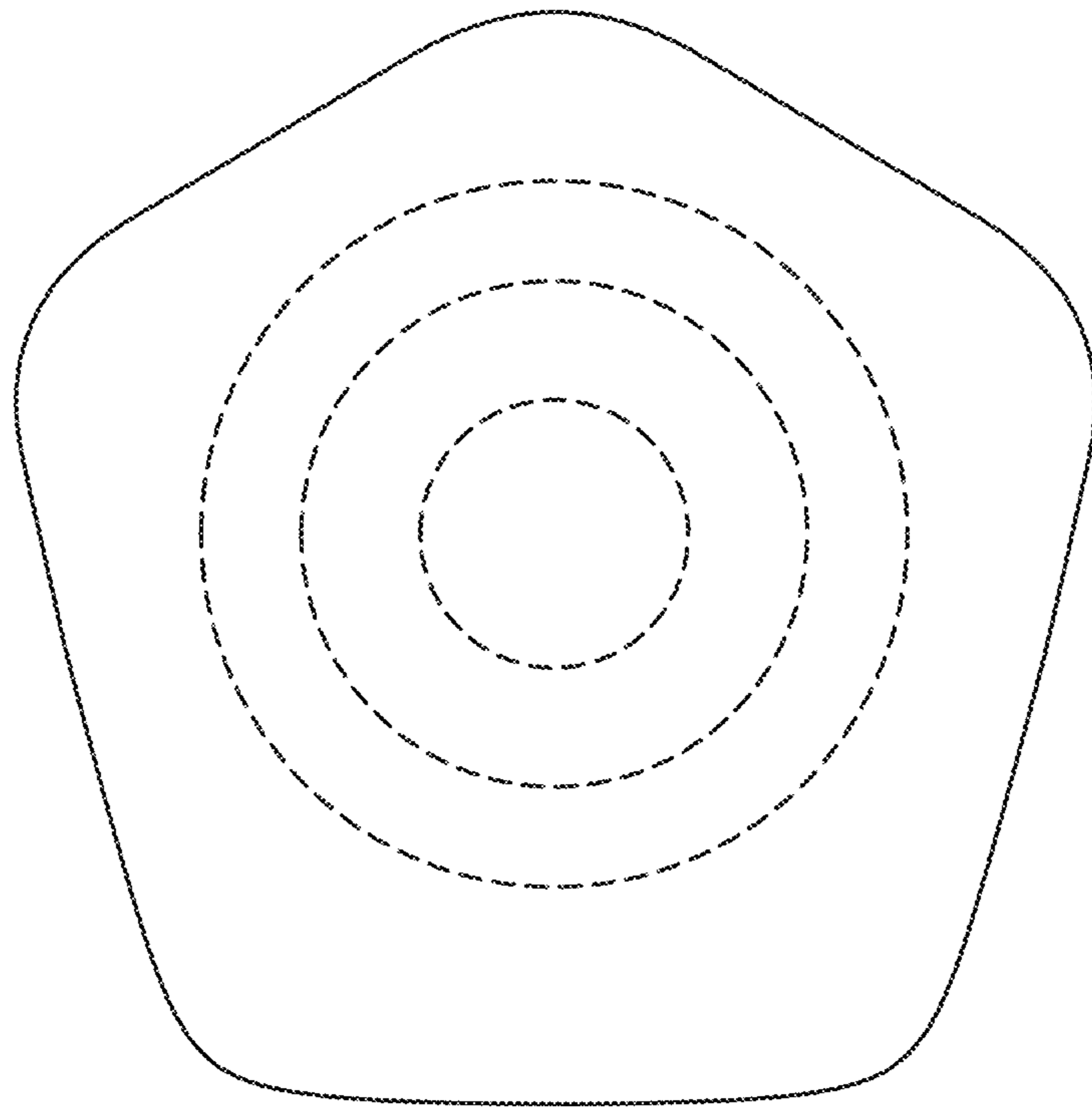


FIG. 28